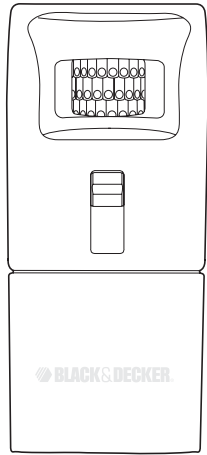




# Lights Out™ Auto Switch

## INSTRUCTION MANUAL

Catalog Number  
**SW100**



Thank you for choosing Black & Decker!  
Go to [www.BlackandDecker.com/NewOwner](http://www.BlackandDecker.com/NewOwner)  
to register your new product.

### PLEASE READ BEFORE RETURNING THIS PRODUCT FOR ANY REASON:

If you have a question or experience a problem with your Black & Decker purchase, go to [HTTP://WWW.BLACKANDDECKER.COM/INSTANTANSWERS](http://www.BlackandDecker.com/InstantAnswers) for instant answers 24 hours a day.

If you can't find the answer or do not have access to the internet, call 1-800-544-6986 from 8 a.m. to 5 p.m. EST Mon. -- Fri. to speak with an agent.

Please have the catalog number available when you call.

### SAVE THIS MANUAL FOR FUTURE REFERENCE.

VEA EL ESPAÑOL EN LA CONTRAPORTADA.

INSTRUCTIVO DE OPERACIÓN, CENTROS DE SERVICIO Y PÓLIZA DE GARANTÍA.  
ADVERTENCIA: LÉASE ESTE INSTRUCTIVO ANTES DE USAR EL PRODUCTO.

### SAVE THIS INSTRUCTION MANUAL FOR FUTURE REFERENCE.

Cat No. SW100

Form # 90539953

(OCT.'08)

Copyright © 2008 Black & Decker

Printed in China

### SAFETY GUIDELINES - DEFINITIONS

It is important for you to read and understand this manual.

The information it contains relates to protecting YOUR SAFETY and PREVENTING PROBLEMS. The symbols below are used to help you recognize this information.

**⚠ DANGER:** Indicates an imminently hazardous situation which, if not avoided, will result in death or serious injury.

**⚠ WARNING:** Indicates a potentially hazardous situation which, if not avoided, could result in death or serious injury.

**⚠ CAUTION:** Indicates a potentially hazardous situation which, if not avoided, may result in minor or moderate injury.

**CAUTION:** Used without the safety alert symbol indicates a potentially hazardous situation which, if not avoided, may result in property damage.

**⚠ WARNING:** To reduce risk of injury, user must read and understand instruction manual.

**⚠ WARNING:** To reduce the risk of shock, remove this device and disconnect branch circuit when servicing switch or light fixture.

**⚠ WARNING:** Do not use on a switch that controls a power receptacle.

- Use with toggle-style switches only.
- For indoor use only.
- Not for use where the light fixture is controlled by more than one switch (a "three-way" switch).

**⚠ WARNING: Fire or burn hazard. Batteries can explode or leak, and can cause injury or fire.** To reduce this risk:

- Carefully follow all instructions and warnings on the battery label and package.
- Always insert batteries correctly with regard to polarity (+ and -), marked on the battery and the equipment.
- Do not short battery terminals.
- Do not recharge.
- Do not mix old and new batteries. Replace all of them at the same time with new batteries of the same brand and type.
- Remove dead batteries immediately and dispose of per local codes.
- Do not dispose of batteries in fire.
- Keep batteries out of reach of children.
- Remove batteries if the device will not be used for several months.

"Transporting batteries can possibly cause fires if the battery terminals inadvertently come in contact with conductive materials such as keys, coins, hand tools and the like. The US Department of Transportation Hazardous Material Regulations (HMR) prohibits transporting batteries in commerce or on airplanes (i.e. packed in suitcases and carryon luggage) UNLESS they are properly protected from short circuits. So when transporting individual batteries, make sure that the battery terminals are protected and well insulated from materials that could contact them and cause a short circuit.

### SAVE THESE INSTRUCTIONS

### Introduction

The Lights Out™ Auto Switch will reduce your electricity usage and save you money by turning off a light when it is not needed. It uses motion and light detectors to automatically control an existing toggle-style light switch.

### The Auto Switch performs these functions:

- Turns on the light when motion is detected.
- Turns off the light when no motion has been detected for a selectable time period.
- Does not turn on lights if the room is already illuminated with sunlight. You can control the brightness setting for this feature.

- Turns off the light if the room becomes brighter, for instance due to opening a window shade. You can control the brightness setting for this feature.

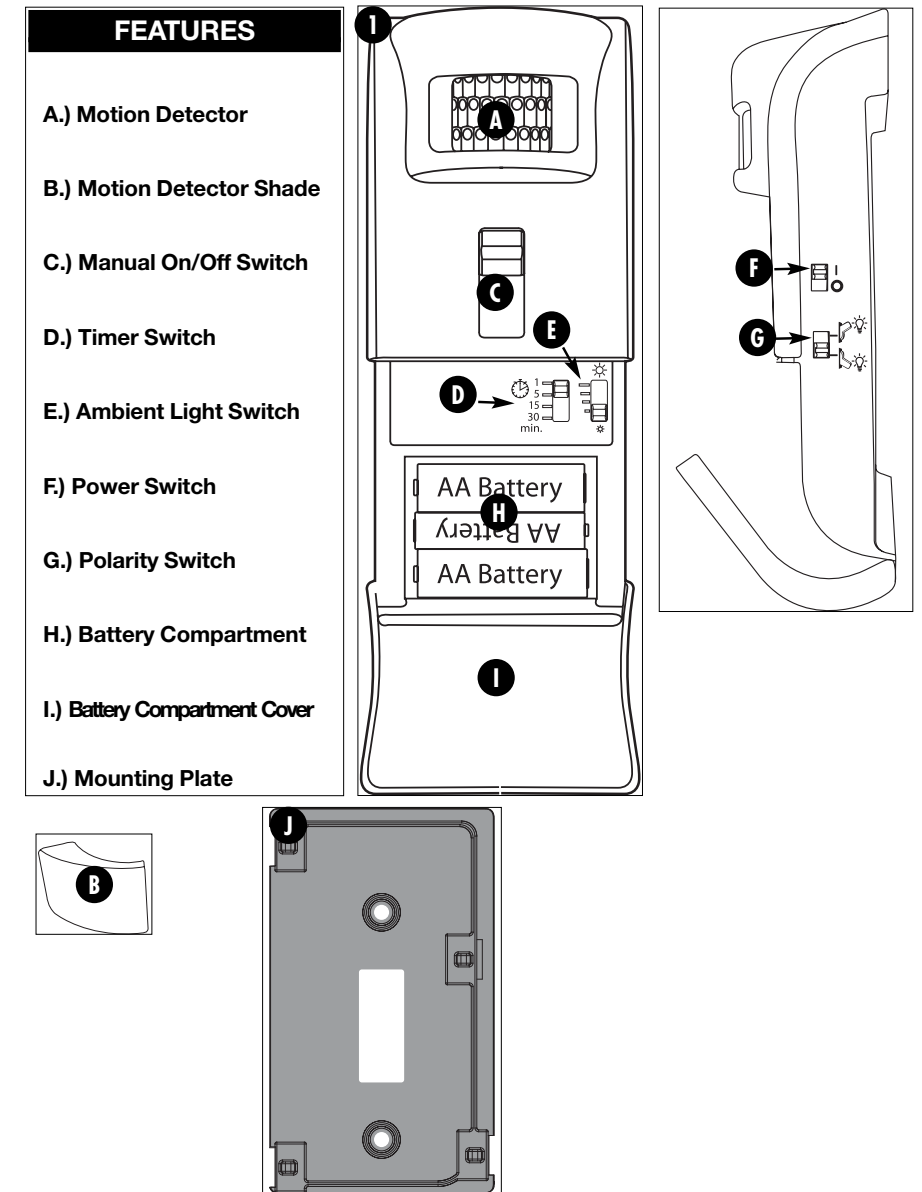
### Selecting Where to Use the Auto Switch

The Lights Out™ Auto Switch can be installed on toggle-style light switches, including switches that are part of a "ganged" multi-switch outlet.

Use the Auto Switch in a location where the light switch has a clear view of room occupants, and where occupants are likely to be moving within range of the detector. Note that the Auto Switch will turn the lights off if it does not detect motion within the selected time period. The Auto Switch is especially useful in areas where a light is likely to be left on unnecessarily. Ideal locations are entry ways, bathrooms, garages, offices, basements and playrooms.

The Auto Switch is **not** compatible with the following:

- Paddle-style switches
- Heavy-duty industrial-grade switches
- Toggle switches with side-to-side motion, rather than up-and-down motion
- "Three-way" switches (where the light is controlled by more than one switch)
- Dimmer switches



### Assembly/Set-up

This product requires three AA batteries (not included).

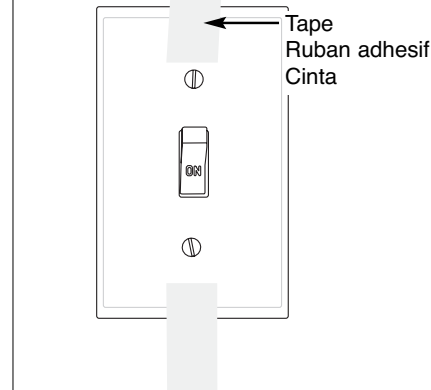
### Installing the Batteries

**NOTE:** Use only with the specifically designated batteries (AA non-rechargeable alkaline or lithium). Use of any other batteries may create a risk of fire.

- Open the battery compartment cover (I) as shown in figure 1.
- Insert batteries in the orientation indicated, making sure to match (+) and (-) terminals to the illustration inside the compartment, then close the battery compartment cover.

### Instructions for Mounting to a Switch

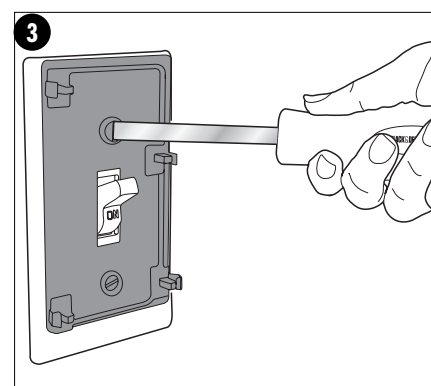
**NOTE: Do not install where more than one light switch controls a single light fixture (a "three-way" switch).**



• Note whether the light turns on when the switch is flipped up, or when the switch is flipped down. The Auto Switch can be configured for either case.

• Use a piece of tape (not included) to tape the switch plate in place before the screws are removed. See figure 2. You can skip this step if the switch plate is held to the wall with more than two screws (for example, when there is more than one switch.)

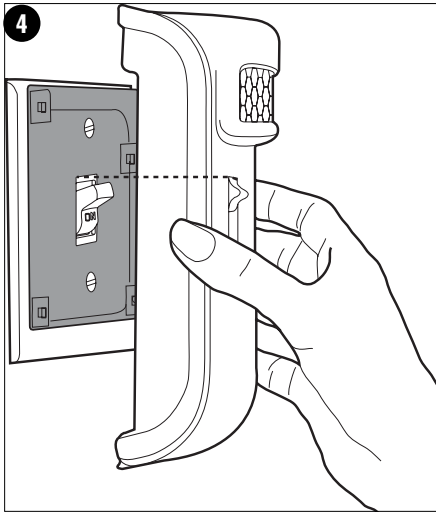
• Remove the two screws from above and below the switch you want to control.



• Orient the mounting plate as shown in figure 3, and line up the mounting plate holes with the holes in the cover plate.

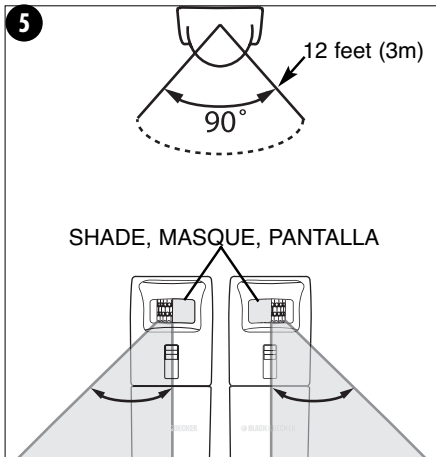
• Using the two screws supplied, lightly screw in the mounting plate (J) over the switch plate as shown in figure 3.

• Tighten both screws until just snug. Do not over-tighten.



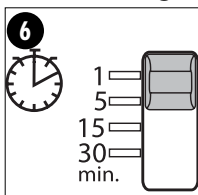
- Check if the light switch is up or down. Move the switch on the front of the Auto Switch to match the position of the light switch.
  - Make sure that the back of the Auto Switch is completely flush with the wall.
  - Snap the Auto Switch onto the mounting plate fingers as shown in **figure 4**.
- NOTE:** The Auto Switch will not operate if the light switch and the Auto Switch are not aligned as shown before installation.

#### Set the Field of View



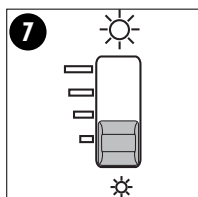
- The field of view of the motion detector (A) is 12 feet (3m) at 90°.
- A motion detector shade (B) is provided should you desire to block the field of view from the left side or the right side. The shade snaps in place over either side of the motion detector as shown in **figure 5**.

#### Set the "Lights Out" Time Period



- The motion detector time switch (D) can be set to one of four different time intervals (**figure 6**); 1, 5, 15 or 30 minutes.
  - The time interval selected determines how long you want the lights to stay on after no motion is detected.
  - The lights turn off automatically when there is no motion detected for the time set on the switch.
- NOTE:** You might want to use a longer time period for an office where the occupant might be still for long periods of time.

#### Set the Ambient Light Level

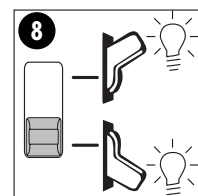


- The ambient light level switch (E) can be set to one of four different levels (**figure 7**).
- If sunlight falling on the Auto Switch is brighter than the switch setting, the Auto Switch will ignore motion and turn the light off (or not turn the light on).
- If you want the lights off when there's only a little bit of sunlight, move the switch to the bottom setting.
- If you want the lights off when there's a lot of sunlight, move the switch to a higher setting.

- If you want the Auto Switch to ignore ambient light and respond only to motion, move the switch to the top setting.

**NOTE:** Extremely bright room lighting can also cause the Auto Switch to turn the lights off. If this happens, move the Light Level switch to a higher setting.

#### Set the Polarity of the Switch



- Set the polarity switch (G) to match the light switch.
- If the light is turned on by moving the switch up, set the polarity switch to the upper position.
- If the light is turned on by moving the switch down, set the polarity switch to the lower position.

#### Operating Instructions

##### Turning on the Auto Switch

- Turn on the Auto Switch by moving the Power Switch (F) to the up position.
  - A red light will blink slowly for 40 seconds while the motion detector (A) calibrates to the room.
  - The mechanism will turn the light on if it is not on already.
- NOTE:** When the mechanism operates, the motor will continue to run for several seconds after the light switch flips. This is normal.
- When the red light stops blinking, the unit is ready to operate.
  - If the Auto Switch is turned off, you can manually operate the light switch with the manual On/Off switch (C) on the front of the unit.

##### Leaving the Room

- The lights turn off automatically when there is no motion detected for the time set on the timer switch (D).
- If you are leaving the room and want the lights to turn out sooner than the timer would do it automatically, you can manually flip off the light using the manual On/Off switch (C).
- The motion detector will wait 15 seconds before detecting motion again, so you have time to leave the room without the lights turning back on by themselves.

##### Sensor Light

- A red warning light behind the sensor lens will flash rapidly if there's a fault due to weak batteries, a malfunction, or if the mechanism is not able to move the light switch. The Auto Switch will be disabled, but you can operate the light switch manually.
- Replace batteries.
- If there's still a fault, remove from the wall.

##### Troubleshooting

If the red light is flashing rapidly, follow these steps in order:

- 1.) If you just installed the Auto Switch and it has never operated properly, check that the light switch is aligned with the Manual On/Off switch (C) on the front of the unit as shown in Figure 4. Turn the Power Switch (F) off, then on again to reset the unit.
- 2.) Turn off the power switch (F). Replace the batteries, and turn the power switch back on. Be sure to use fresh batteries of the same brand and type. The red light will blink slowly for 40 seconds while the motion sensor calibrates.
- 3.) If the red light begins to blink rapidly again, try moving the light switch (C) up and down manually. The switch should flip up and down with reasonable force.
- 4.) If the light switch (C) does not move easily, remove the Auto Switch from the wall.
- 5.) Inspect the wall light switch. If you have difficulty flipping the wall light switch up and down, the switch may be faulty. Have a qualified electrician check or replace the switch.
- 6.) If the wall light switch operates normally, test the Auto Switch operation while it is disconnected from the wall. Turn the power switch (F) off and then on again. The red light will blink slowly for 40 seconds while the motion sensor calibrates. If the Auto Switch operates normally when disconnected from the wall switch, try using it on a switch that is easier to operate. Some light switches in older homes (more than 50 years old) may require too much force for the Auto Switch to operate.

If the Auto Switch does not operate and the red light blinks rapidly, call the Black and Decker help line at 1-800-544-6986.

There are no user serviceable parts inside except for the batteries. Always insert batteries correctly with regard to polarity (+ and -), marked on the battery and the equipment.

For assistance with your product, visit our website [www.blackanddecker.com](http://www.blackanddecker.com) for the location of the service center nearest you or call the BLACK & DECKER help line at 1-800-544-6986.

##### Maintenance

Use only mild soap and damp cloth to clean the tool. Never let any liquid get inside the tool; never immerse any part of the tool into a liquid.

**IMPORTANT:** To assure product SAFETY and RELIABILITY, repairs, maintenance and adjustment (other than those listed in this manual) should be performed by authorized service centers or other qualified service personnel, always using identical replacement parts.

##### Accessories

Recommended accessories for use with your tool are available from your local dealer or authorized service center. If you need assistance regarding accessories, please call: 1-800-544-6986.

**WARNING:** The use of any accessory not recommended for use with this tool could be hazardous.

##### Service Information

All Black & Decker Service Centers are staffed with trained personnel to provide customers with efficient and reliable power tool service. Whether you need technical advice, repair, or genuine factory replacement parts, contact the Black & Decker location nearest you. To find your local service location, refer to the yellow page directory under "Tools—Electric" or call: 1-800-544-6986 or visit [www.blackanddecker.com](http://www.blackanddecker.com)

##### Full Two-Year Home Use Warranty

Black & Decker (U.S.) Inc. warrants this product for two years against any defects in material or workmanship. The defective product will be replaced or repaired at no charge in either of two ways.

The first, which will result in exchanges only, is to return the product to the retailer from whom it was purchased (provided that the store is a participating retailer). Returns should be made within the time period of the retailer's policy for exchanges (usually 30 to 90 days after the sale). Proof of purchase may be required. Please check with the retailer for their specific return policy regarding returns that are beyond the time set for exchanges.

The second option is to take or send the product (prepaid) to a Black & Decker owned or authorized Service Center for repair or replacement at our option. Proof of purchase may be required. Black & Decker owned and authorized Service Centers are listed under "Tools—Electric" in the yellow pages of the phone directory and on our website [www.blackanddecker.com](http://www.blackanddecker.com).

This warranty does not apply to accessories. This warranty gives you specific legal rights and you may have other rights which vary from state to state. Should you have any questions, contact the manager of your nearest Black & Decker Service Center. This product is not intended for commercial use.

**FREE WARNING LABEL REPLACEMENT:** If your warning labels become illegible or are missing, call 1-800-544-6986 for a free replacement.

Imported by  
Black & Decker (U.S.) Inc.,  
701 E. Joppa Rd.  
Towson, MD 21286 U.S.A.



See 'Tools-  
Electric'  
- Yellow Pages -  
for Service &  
Sales



# Commutateur automatique Lights Out™

## MODE D'EMPLOI

N° de catalogue SW100

**Merci d'avoir choisi Black & Decker!**  
**Consulter le site Web**  
**[www.BlackandDecker.com/NewOwner](http://www.BlackandDecker.com/NewOwner)**  
**pour enregistrer votre nouveau produit.**

### À LIRE AVANT DE RETOURNER CE PRODUIT POUR QUELQUE RAISON QUE CE SOIT :

Si des questions ou des problèmes surgissent après l'achat d'un produit Black & Decker,  
consulter le site Web

**[HTTP://WWW.BLACKANDDECKER.COM/INSTANTANSWERS](http://WWW.BLACKANDDECKER.COM/INSTANTANSWERS)**

pour obtenir des réponses instantanément 24 heures par jour.

Si la réponse est introuvable ou en l'absence d'accès à Internet, composer le  
1-800-544-6986 de 8 h à 17 h HNE, du lundi au vendredi, pour parler avec un agent.  
Prière d'avoir le numéro de catalogue sous la main lors de l'appel.

### CONSERVER CE MANUEL POUR UN USAGE ULTÉRIEUR.

#### LIGNES DIRECTRICES EN MATIÈRE DE SÉCURITÉ - DÉFINITIONS

Il est important que vous lisiez et compreniez ce mode d'emploi. Les informations qu'il contient concernent VOTRE SÉCURITÉ et visent à ÉVITER TOUT PROBLÈME. Les symboles ci-dessous servent à vous aider à reconnaître cette information.

**⚠ DANGER :** Indique une situation dangereuse imminente qui, si elle n'est pas évitée, causera la mort ou des graves blessures.

**⚠ AVERTISSEMENT :** Indique une situation potentiellement dangereuse qui, si elle n'est pas évitée, pourrait causer la mort ou de graves blessures.

**⚠ MISE EN GARDE :** Indique une situation potentiellement dangereuse qui, si elle n'est pas évitée, pourrait causer des blessures mineures ou modérées.

**MISE EN GARDE :** Utilisé sans le symbole d'alerte à la sécurité, indique une situation potentiellement dangereuse qui, si elle n'est pas évitée, peut résulter en des dommages à la propriété.

**⚠ AVERTISSEMENT :** afin de réduire le risque de blessures, l'utilisateur doit lire et comprendre le mode d'emploi.

**⚠ AVERTISSEMENT :** pour réduire le risque de décharge électrique, retirer ce dispositif et couper le circuit de dérivation lors de tout travail sur le commutateur ou l'appareil d'éclairage.

**⚠ AVERTISSEMENT :** ne pas utiliser dans un circuit dont le commutateur commande une prise murale.

• N'utiliser qu'avec des commutateurs à bascule.

• Pour un usage intérieur seulement.

• Ne pas utiliser là où l'appareil d'éclairage est commandé par plus d'un commutateur (un commutateur « trois voies »).

**⚠ AVERTISSEMENT :** risque d'incendie ou de brûlures. Les piles peuvent exploser ou couler et causer des blessures ou un incendie. Pour réduire ce risque :

• Respecter attentivement toutes les directives et tous les avertissements apposés sur l'étiquette et l'emballage des piles.

• Toujours insérer les piles en respectant les polarités (+ et -) indiquées sur la pile et le matériel.



- Ne pas créer de court-circuit dans les bornes des piles.
- Ne pas recharger.
- Ne pas mélanger piles neuves et usées. Les remplacer toutes en même temps par des piles neuves de la même marque et du même type.
- Retirer immédiatement les piles déchargées et les éliminer en fonction de la réglementation locale en vigueur.
- Ne pas jeter les piles dans les flammes.
- Garder les piles hors de la portée des enfants.
- Retirer les piles si l'appareil n'est pas utilisé pendant plusieurs mois.

Le transport des piles peut provoquer un incendie si les bornes des piles entrent accidentellement en contact avec des matières conductrices comme des clés, de la monnaie, des outils à main et d'autres éléments semblables. Le règlement HMR (Hazardous Material Regulations) du ministère des Transports des É.-U. interdit le transport des piles pour le commerce ou dans les avions (c.-à-d. dans des valises et les bagages à main) A MOINS qu'elles ne soient bien protégées contre les courts-circuits. Pour le transport de piles individuelles, on doit donc s'assurer que les bornes sont protégées et bien isolées contre toute matière pouvant entrer en contact avec elles et provoquer un court-circuit.

## CONSERVER CES DIRECTIVES

### Introduction

Le commutateur automatique Lights Out™ réduit la consommation d'électricité et permet d'économiser de l'argent en éteignant les lampes lorsqu'elles ne servent pas. Il utilise des détecteurs de mouvement et de lumière pour commander automatiquement un commutateur à bascule d'éclairage existant.

**Le commutateur automatique remplit les fonctions suivantes :**

- Allume l'éclairage lorsqu'un mouvement est détecté.
- Éteint l'éclairage lorsqu'aucun mouvement n'a été détecté pour une période de temps sélectionnable.
- N'allume pas l'éclairage si la pièce est déjà éclairée par la lumière du soleil. Cette fonction permet un réglage de la luminosité.
- Éteint si la lumière augmente dans la pièce, par exemple si on ouvre un store de fenêtre. Cette fonction permet un réglage de la luminosité.

**Choix du lieu d'utilisation du commutateur automatique**

Le commutateur automatique Lights Out™ s'installe sur les commutateurs à bascule, notamment les commutateurs qui font partie d'une prise groupée avec de multiples commutateurs.

Utiliser le commutateur automatique là où le commutateur d'éclairage est situé en ligne directe avec les occupants de la pièce et où les occupants sont susceptibles de se déplacer dans la portée du détecteur. Noter que le commutateur automatique éteindra l'éclairage s'il ne détecte pas de mouvement dans le délai sélectionné.

Le commutateur automatique est particulièrement utile dans les secteurs où une lumière est susceptible d'être laissée dessus inutilement. Les endroits idéaux sont des manières, des salles de bains, des garages, des bureaux, des sous-sols et des salles de jeux d'entrée.

Le commutateur automatique n'est pas compatible avec les suivants :

- les commutateurs à palette;
- les commutateurs robustes de qualité industrielle;
- les commutateurs à bascule à déplacement latéral plutôt que vertical;
- les commutateurs « trois voies » (où un luminaire est commandé par plus d'un commutateur);
- les commutateurs de sélection d'intensité.

Utiliser le commutateur automatique là où le commutateur d'éclairage est situé en ligne directe avec les occupants de la pièce et où les occupants sont susceptibles de se déplacer. Le commutateur automatique est particulièrement utile aux endroits où une lampe est susceptible d'être laissée allumée sans raison. Entre autres endroits idéaux, on compte les entrées, les salles de bains, les garages, les bureaux, les sous-sols et les salles de jeu.

### Caractéristiques

- A.) Détecteur de mouvement**
- B.) Masque de détecteur de mouvement**
- C.) Commutateur marche/arrêt manuel**
- D.) Commutateur à minuterie**
- E.) Commutateur d'éclairage ambiant**
- F.) Commutateur d'alimentation**
- G.) Commutateur de polarité**
- H.) Logement des piles**
- I.) Couvercle du logement des piles**
- J.) Plaque de fixation**

### Assemblage/préparation

Le présent produit requiert trois piles AA (non comprises).

**Pose des piles**

**REMARQUE** : utiliser uniquement avec les piles spécifiquement conçues à cet effet (AA non rechargeables, alcalines ou au lithium). L'utilisation de toute autré pile peut provoquer un incendie.

- Ouvrir le couvercle du logement des piles (I) comme l'illustre la **figure 1**.
- Insérer les piles selon l'orientation indiquée en faisant bien correspondre les bornes (+) et (-) aux marques à l'intérieur du logement, puis fermer le couvercle du logement des piles.

**Directives pour le montage à un commutateur**

**REMARQUE : ne pas installer là où plus d'un commutateur d'éclairage commande un seul luminaire (un commutateur « trois voies »).**

- Vérifier si la lampe s'allume lorsque le commutateur est levé ou baissé. Le commutateur automatique peut être configuré pour l'un ou l'autre cas.
- Utiliser un bout de ruban adhésif (non compris) pour fixer la plaque de commutateur en place avant de retirer les vis. Voir la **figure 2**. Il est possible de sauter cette étape si la plaque de commutateur est retenue au mur par plus de deux vis (par exemple, lorsqu'il y a plus d'un commutateur).
- Retirer les deux vis qui se trouvent au-dessus et en dessous du commutateur à commander.
- Orienter la plaque de fixation comme dans la **figure 3** et aligner les trous de la plaque de fixation avec les trous de la plaque-couvercle.
- À l'aide des deux vis fournies, visser légèrement la plaque de fixation (j) par-dessus la plaque de commutateur comme dans la **figure 3**.
- Serrer juste un peu les deux vis. Ne pas trop serrer.
- Vérifier si le commutateur d'éclairage est vers le haut ou vers le bas. Mettre la bascule à l'avant du commutateur automatique à la même position que celle du commutateur d'éclairage.
- S'assurer que le dos du commutateur automatique est bien à plat contre le mur.
- Accrocher le commutateur automatique sur les pattes de la plaque de fixation comme l'illustre la **figure 4**.

**REMARQUE** : le commutateur automatique ne fonctionnera pas si le commutateur d'éclairage et le commutateur automatique ne sont pas alignés comme dans l'illustration avant l'installation.

**Réglage de l'angle de champ**

- L'angle de champ du détecteur de mouvement (A) est de 3 m (12 pi) à 90 degrés.
- Un masque de détecteur de mouvement (B) est fourni au cas où le blocage de l'angle de champ du côté gauche ou droit serait désiré. Le masque s'encastre sur l'un ou l'autre côté du détecteur de mouvement comme le montre la **figure 5**.

**Réglage du délai de fermeture de l'éclairage**

- Le commutateur à minuterie (D) du détecteur de mouvement peut être réglé sur un délai parmi un choix de quatre (**figure 6**). 1, 5, 15 ou 30 minutes.
- Le délai sélectionné détermine combien de temps les lampes doivent rester allumées après le dernier mouvement détecté.
- Les lampes s'éteignent automatiquement lorsqu'aucun mouvement n'a été détecté pour la durée réglée sur le commutateur.
- REMARQUE** : dans un bureau où l'occupant peut rester longtemps immobile, il est bon de choisir un long délai.

**Réglage du niveau d'éclairage ambiant**

- Le commutateur du niveau d'éclairage ambiant (E) peut être réglé sur un niveau parmi un choix de quatre (**figure 7**).
- Si la lumière du soleil qui tombe sur le commutateur automatique est plus brillante que le réglage défini, le commutateur automatique ne tient pas compte des mouvements et éteint l'éclairage (ou omet de l'allumer).
- Pour que les lampes s'éteignent en présence d'une faible lumière naturelle, mettre le commutateur sur le réglage le plus bas.

- Pour que les lampes s'éteignent en présence d'une forte lumière naturelle, mettre le commutateur sur un réglage plus élevé.
- Pour que le commutateur automatique ne tienne pas compte de la lumière ambiante et ne réagisse qu'aux mouvements, mettre le commutateur sur le réglage le plus élevé.
- REMARQUE** : un éclairage électrique très brillant peut aussi amener le commutateur automatique à éteindre l'éclairage. Si cela se produit, mettre le commutateur du niveau d'éclairage sur un réglage supérieur.

**Réglage de la polarité du commutateur**

- Régler la polarité du commutateur (G) selon celle du commutateur d'éclairage.
- Si la lampe est allumée en déplaçant le commutateur vers le haut, régler la polarité du commutateur sur la position haute.
- Si la lampe est allumée en déplaçant le commutateur vers le bas, régler la polarité du commutateur sur la position basse.

### Directives de fonctionnement

**Allumage du commutateur automatique**

- Allumer le commutateur automatique en déplaçant le commutateur d'alimentation (F) vers le haut.
- Un voyant rouge clignote lentement pendant 40 secondes tandis que le détecteur de mouvement (A) est étalonné en fonction de la pièce.
- Le mécanisme allume ensuite l'éclairage si ce n'est déjà fait.
- REMARQUE** : lorsque le mécanisme est actionné, le moteur continue de tourner pendant plusieurs secondes après le basculement du commutateur d'éclairage. C'est normal.
- Lorsque le clignotement du voyant rouge s'arrête, l'appareil est prêt à utiliser.
- Si le commutateur automatique est éteint, le commutateur d'éclairage peut être actionné manuellement grâce au commutateur marche/arrêt manuel (C) à l'avant de l'appareil.

**Quitter la pièce**

- Les lampes s'éteignent automatiquement lorsqu'aucun mouvement n'a été détecté pour la durée réglée sur le commutateur à minuterie (D).
- Si l'on quitte la pièce et désire éteindre les lampes plus rapidement qu'avec la minuterie automatique, il est possible d'actionner soi-même le commutateur marche/arrêt manuel (C).
- Puisque le détecteur de mouvement attend 15 secondes avant de se remettre en fonction, on a le temps de quitter la pièce sans que les lampes se rallument d'elles-mêmes.

**Voyant du capteur**

- Un voyant rouge d'avertissement derrière la lentille du capteur clignote rapidement en cas de défaillance attribuable à des piles faibles, à un dysfonctionnement ou à l'incapacité du mécanisme d'actionner le commutateur d'éclairage.

- Remplacer les piles.
- Si la défaillance est toujours présente, démonter du mur.

**Dépannage**

Si le voyant rouge clignote rapidement, suivre la démarche suivante, dans l'ordre :

- 1.) Si le commutateur automatique vient d'être installé et qu'il n'a jamais bien fonctionné, vérifier si le commutateur d'éclairage est aligné sur le commutateur marche/arrêt manuel (C) à l'avant de l'appareil comme l'illustre la figure 4. Mettre le commutateur d'alimentation (F) en position d'arrêt, puis de marche pour réinitialiser l'appareil.
- 2.) Mettre le commutateur d'alimentation (F) en position d'arrêt. Remplacer les piles et remettre le commutateur d'alimentation en position de marche. Utiliser sans faute des piles neuves de la même marque et du même type. Le voyant rouge clignote lentement pendant 40 secondes tandis que le capteur de mouvement est étalonné.
- 3.) Si le voyant rouge recommence à clignoter rapidement, essayer de déplacer le commutateur d'éclairage (C ) de haut en bas manuellement. Le commutateur devrait basculer sous l'effet d'une force raisonnable.
- 4.) Si le commutateur d'éclairage (C ) ne bouge pas facilement, détacher le commutateur automatique du mur.
- 5.) Inspecter le commutateur d'éclairage mural. Si le commutateur d'éclairage mural bascule difficilement de haut en bas, il est peut-être défectueux. Le faire examiner par un électricien professionnel ou faire remplacer le commutateur.
- 6.) Si le commutateur d'éclairage mural fonctionne normalement, tester le fonctionnement du commutateur automatique tandis qu'il est démonté du mur. Mettre le commutateur d'alimentation (F) en position d'arrêt, puis de marche. Le voyant rouge clignote lentement pendant 40 secondes tandis que le capteur de mouvement est étalonné.

Si le commutateur automatique fonctionne normalement lorsqu'il est démonté du commutateur mural, essayer de l'utiliser sur un autre commutateur plus facile. Certains commutateurs d'éclairage des vieilles maisons (plus de 50 ans) peuvent demander trop de force pour actionner le commutateur automatique.

Si le commutateur automatique ne fonctionne pas et que le voyant rouge clignote rapidement, communiquer avec l'assistance Black and Decker au 1-800-544-6986.

Aucune pièce à l'intérieur ne peut être réparée par l'utilisateur hormis les piles. Toujours insérer les piles en respectant les polarités (+ et -) indiquées sur la pile et le matériel.

Pour de l'aide sur l'outil, consulter notre site Web [www.blackanddecker.com](http://www.blackanddecker.com) pour l'emplacement du centre de réparation le plus près ou communiquer avec l'assistance BLACK & DECKER au **1-800-544-6986**.

**Entretien**

Nettoyer l'outil au moyen d'un savon doux et d'un linge humide seulement. Ne jamais laisser de liquide s'infiltrer à l'intérieur de l'outil ni tremper ce dernier dans un liquide quelconque.

**IMPORTANT** : pour assurer la **SÉCURITÉ** et la **FIABILITÉ** de ce produit, toutes les opérations de réparation, d'entretien et de réglage (autres que celles décrites aux présentes) doivent être effectuées dans un centre de service autorisé ou par du personnel qualifié; on ne doit utiliser que des pièces de rechange identiques.

**Accessoires**

Les accessoires recommandés pouvant être utilisés avec l'outil sont disponibles auprès de votre distributeur local ou centre de réparation autorisé. Pour tout renseignement concernant les accessoires, composer le : **1 800 544-6986**.

**⚠ AVERTISSEMENT** : l'utilisation de tout accessoire non recommandé avec cet outil pourrait s'avérer dangereuse.

**Information sur les réparations**

Tous les centres de réparation Black & Decker sont dotés de personnel qualifié en matière d'outillage électrique; ils sont donc en mesure d'offrir à leur clientèle un service efficace et fiable. Que ce soit pour un avis technique, une réparation ou des pièces de rechange authentiques installées en usine, communiquer avec l'établissement Black & Decker le plus près de chez vous. Pour trouver l'établissement de réparation de votre région, consulter le répertoire des Pages jaunes à la rubrique « Outils électriques » ou composer le numéro suivant : **1-800-544-6986** ou consulter le site **[www.blackanddecker.com](http://www.blackanddecker.com)**

**Garantie complète de deux ans pour une utilisation domestique**

Black & Decker (É.-U.) Inc. garantit ce produit pour une durée de deux ans contre tout défaut de matériau ou de fabrication. Le produit défectueux sera remplacé ou réparé sans frais de l'une des deux façons suivantes :

La première façon consiste en un simple échange chez le détaillant qui l'a vendu (pourvu qu'il s'agisse d'un détaillant participant). Tout retour doit se faire durant la période correspondant à la politique d'échange du détaillant (habituellement, de 30 à 90 jours après l'achat). Une preuve d'achat peut être requise. Vérifier auprès du détaillant pour connaître sa politique concernant les retours hors de la période définie pour les échanges.

La deuxième option est d'apporter ou d'envoyer le produit (transport payé d'avance) à un centre de réparation autorisé ou à un centre de réparation de Black & Decker pour faire réparer ou échanger le produit, à notre discrétion. Une preuve d'achat peut être requise. Les centres Black & Decker et les centres de service autorisés sont répertoriés dans les pages jaunes, sous la rubrique « Outils électriques ».

Cette garantie ne s'applique pas aux accessoires. Cette garantie vous accorde des droits légaux spécifiques et vous pourriez avoir d'autres droits qui varient d'un État ou d'une province à l'autre. Pour toute question, communiquer avec le directeur du centre de réparation Black & Decker le plus près de chez vous. Ce produit n'est pas destiné à un usage commercial.

**REMPACEMENT GRATUIT DES ÉTIQUETTES D'AVERTISSEMENT** : si les étiquettes d'avertissement deviennent illisibles ou sont manquantes, composer le **1-800-544-6986** pour en obtenir le remplacement gratuit.

Imported by / Importé par
Black & Decker Canada Inc.
100 Central Ave.
Brockville (Ontario) K6V 5W6

**Voir la rubrique “Outils électriques” des Pages Jaunes pour le service et les ventes.**





# Interruptor automático Lights Out™

## MANUAL DE INSTRUCCIONES

Catálogo N° SW100

Gracias por elegir Black & Decker!  
Visite

[www.BlackandDecker.com/NewOwner](http://www.BlackandDecker.com/NewOwner)  
para registrar su nuevo producto.

### LEA EL MANUAL ANTES DE DEVOLVER ESTE PRODUCTO POR CUALQUIER MOTIVO:

Si tiene una consulta o algún inconveniente con su producto Black & Decker, visite

[HTTP://WWW.BLACKANDECKER.COM/INSTANTANSWERS](http://WWW.BLACKANDECKER.COM/INSTANTANSWERS)

para obtener respuestas instantáneas las 24 horas del día.

Si no encuentra la respuesta o no tiene acceso a Internet, llame al 1-800-544-6986 de

lunes a viernes de 8 a.m. a 5 p.m. hora del Este para hablar con un agente.

Cuando llame, tenga a mano el número de catálogo.

### CONSERVE ESTE MANUAL PARA FUTURAS CONSULTAS.

#### PAUTAS DE SEGURIDAD/DEFINICIONES

Es importante que lea y comprenda este manual. La información que contiene se relaciona con la protección de SU SEGURIDAD y la PREVENCIÓN DE PROBLEMAS. Los símbolos que siguen se utilizan para ayudarlo a reconocer esta información.

**⚠ PELIGRO:** indica una situación de peligro inminente que, si no se evita, provocará la muerte o lesiones graves.

**⚠ ADVERTENCIA:** indica una situación de peligro potencial que, si no se evita, provocará la muerte o lesiones graves.

**⚠ PRECAUCIÓN:** indica una situación de peligro potencial que, si no se evita, provocará lesiones leves o moderadas.

**PRECAUCIÓN:** utilizado sin el símbolo de alerta de seguridad indica una situación de peligro potencial que, si no se evita, puede provocar daños en la propiedad.

**⚠ ADVERTENCIA:** Para reducir el riesgo de lesiones, el usuario debe leer y entender el manual de instrucciones.

**⚠ ADVERTENCIA:** Para reducir el riesgo de descarga, retire este dispositivo y desconecte el circuito de derivación cuando realice tareas de mantenimiento en el interruptor o el artefacto de iluminación.

**⚠ ADVERTENCIA:** No utilice el dispositivo en un interruptor que controle un tomacorriente.

- Utilizar sólo con interruptores de cambio.
- Únicamente para uso en interiores.
- No debe utilizarse cuando el artefacto de iluminación se controla con más de un interruptor (interruptor "de tres vías").

**⚠ ADVERTENCIA: Peligro de incendio y quemadura. Las baterías pueden explotar o perder, y pueden provocar lesiones o incendios.** Para disminuir este riesgo:

- Siga cuidadosamente todas las instrucciones y las advertencias de la etiqueta y el envase de la batería.
- Introduzca siempre las baterías correctamente respetando la polaridad (+ y -) indicada en la batería y en el equipo.
- No produzca un cortocircuito con los terminales de la batería.
- No recargue las baterías.
- No mezcle baterías nuevas y viejas. Reemplácelas todas al mismo tiempo por baterías nuevas de la misma marca y tipo.
- Retire todas las baterías agotadas inmediatamente y elimínelas de acuerdo con los códigos locales.
- No arroje las baterías al fuego.
- Mantenga las baterías fuera del alcance de los niños.
- Retire las baterías si el aparato no se va a usar durante varios meses.
- "Transportar baterías puede provocar incendios si los terminales de la batería entran en contacto accidentalmente con materiales conductores como llaves, monedas, herramientas de mano u objetos similares. Las Normas para Materiales Peligrosos del Departamento de Transporte de EE. UU. (Hazardous Material Regulations, HMR) prohíben transportar baterías comercialmente o en aeroplanos (es decir, empacadas en valijas y equipaje de mano) A MENOS que estén protegidas correctamente de cortocircuitos. Por lo tanto, cuando transporte baterías individuales, asegúrese de que los terminales de la batería estén protegidos y bien aislados de materiales que puedan hacer contacto y causar un cortocircuito.

#### CONSERVE ESTAS INSTRUCCIONES

#### Introducción

El interruptor automático Lights Out™ reducirá su consumo de energía y le permitirá ahorrar dinero al apagar las luces cuando no sean necesarias. Utiliza detectores de movimiento y luz para controlar automáticamente un interruptor de luz de cambio existente.

#### El interruptor automático realiza las siguientes funciones:

- Enciende la luz cuando detecta movimiento.
- Apaga la luz cuando no detecta ningún movimiento durante un período seleccionable.
- No enciende las luces si la habitación ya está iluminada con luz solar. Puede controlar la configuración de brillo de este dispositivo.
- Apaga la luz si la habitación se vuelve más brillante, por ejemplo, al abrir una persiana. Puede controlar la configuración de brillo de este dispositivo.

#### Seleccionar dónde utilizar el interruptor automático

El interruptor Lights Out™ puede instalarse en interruptores de luz, incluidos los que integran un tomacorriente "con mando único" e interruptores múltiples. Utilice el interruptor automático en un lugar donde el interruptor de la luz tenga una clara visión de los ocupantes de la habitación y de los lugares por donde éstos puedan desplazarse. Observe que el interruptor automático apagará las luces si no detecta movimiento dentro del período seleccionado. El interruptor auto es especialmente útil en áreas donde está probable una luz ser dejada encendida innecesariamente. Las localizaciones ideales son maneras, cuartos de baño, garages, oficinas, sótanos y salas de juegos de la entrada.

El interruptor automático no es compatible con los siguientes interruptores:

- Interruptores de paleta
- Interruptores industriales para trabajo pesado
- Interruptores de cambio con movimiento lateral en lugar de arriba hacia abajo

- Interruptores "de tres vías" (donde la luz se controla a través de más de un interruptor)
- Interruptores atenuadores

Utilice el interruptor automático en un lugar donde el interruptor de la luz tenga una clara visión de los ocupantes de la habitación y de los lugares por donde éstos puedan desplazarse. El interruptor automático es especialmente útil en los lugares donde puede dejarse una luz encendida innecesariamente. Las ubicaciones ideales son vestíbulos, baños, garages, oficinas, sótanos y salas de juego.

#### Características

- A.) Detector de movimiento
- B.) Pantalla del detector de movimiento
- C.) Interruptor manual de encendido/apagado (On/Off)
- D.) Interruptor temporizador
- E.) Interruptor de luz ambiental
- F.) Interruptor de energía
- G.) Interruptor de polaridad
- H.) Compartimiento de las baterías
- I.) Tapa del compartimiento de las baterías
- J.) Placa de montaje

#### Montaje/Configuración

Este producto requiere tres baterías AA (no incluidas).

#### Instalación de las baterías

**NOTA:** Utilice únicamente con las baterías recomendadas específicamente (AA alcalinas o de litio, no recargables). Se recomienda utilizar baterías de litio para una mayor vida útil. El uso de otro tipo de batería puede producir riesgo de incendio.

- Abra la tapa del compartimiento de las baterías (I) como se muestra en la **figura 1**.
- Inserte las baterías en la dirección indicada, asegurándose de que los terminales (+) y (-) coincidan con la ilustración que se encuentra en el interior del compartimiento, luego cierre la tapa del compartimiento.

#### Instrucciones para el montaje en un interruptor

**NOTA: No instale el dispositivo en lugares donde más de un interruptor de luz controle un solo artefacto de iluminación (un interruptor "de tres vías").**

- Observe si la luz se enciende cuando el interruptor está hacia arriba o hacia abajo. El interruptor automático puede configurarse para cualquiera de las dos opciones.
- Utilice un trozo de cinta (no incluida) para colocar la placa del interruptor en su lugar antes de retirar los tornillos. Vea la **figura 2**. Puede obviar este paso si la placa del interruptor está sujeta a la pared con más de dos tornillos (por ejemplo, cuando hay más de un interruptor).
- Retire los dos tornillos que se encuentran sobre y debajo del interruptor que desea controlar.
- Oriente la placa de montaje como se muestra en la **figura 3** y alinee sus orificios con los de la cubierta.
- Con los dos tornillos provistos, atornille suavemente la placa de montaje (J) como se muestra en la **figura 3**.
- Ajuste ambos tornillos hasta que calcen bien. No ajuste en exceso.
- Verifique si el interruptor de luz está hacia arriba o hacia abajo. Mueva el interruptor que se encuentra en la parte delantera del interruptor automático para que coincida con la posición del interruptor de luz.
- Asegúrese de que la parte posterior del interruptor automático esté completamente nivelada con la pared.
- Coloque el interruptor automático en los encastrados de la placa de montaje como se muestra en la **figura 4**.

**NOTA:** El interruptor automático no funcionará si no está alineado con el interruptor de la luz como se muestra antes de la instalación.

#### Configurar el campo de visión

- El campo de visión del detector de movimiento (A) es de 3,7 m (12 pies) a 90 grados.
- El dispositivo viene con una pantalla del detector de movimiento (B) en caso de que desee bloquear el campo de visión desde el lado izquierdo o derecho. La pantalla se inserta en su lugar en cualquier lado del detector de movimiento, como se muestra en la **figura 5**.

#### Configurar el período de "luces apagadas"

- El interruptor temporizador del detector de movimiento (D) puede configurarse en cuatro intervalos de tiempo diferentes (**figura 6**). 1, 5, 15 o 30 minutos.
- El intervalo de tiempo determina el tiempo que desea mantener las luces encendidas tras no detectar ningún movimiento.
- Las luces se apagan automáticamente cuando no se detecta ningún movimiento por el tiempo establecido en el interruptor.
- **NOTA:** Quizás desee utilizar un período más prolongado en una oficina donde el ocupante pueda permanecer quieto por períodos prolongados de tiempo.

#### Configurar el nivel de luz ambiental

- El interruptor del nivel de luz ambiental (E) puede configurarse en cuatro niveles diferentes (**figura 7**).
- Si la luz solar que llega al interruptor automático es más luminosa que la de la configuración de la luz, el interruptor automático ignorará el movimiento y apagará la luz (o no encenderá la luz).
- Si desea que las luces se apaguen cuando hay sólo un poco de luz solar, mueva el interruptor hacia la configuración inferior.
- Si desea que las luces se apaguen cuando hay mucha luz solar, mueva el interruptor hacia una configuración más alta.
- Si desea que el interruptor automático ignore la luz ambiental y responda sólo al movimiento, mueva el interruptor hacia la configuración superior.
- **NOTA:** Una iluminación ambiental extremadamente intensa también puede provocar que el interruptor automático apague las luces. Si esto sucede, mueva el interruptor de nivel de luz hacia una configuración más alta.

#### Configurar la polaridad del interruptor

- Configure el interruptor de polaridad (G) para que coincida con el interruptor de luz.
- Si la luz se enciende al mover el interruptor hacia arriba, configure el interruptor de polaridad en la posición superior.
- Si la luz se enciende al mover el interruptor hacia abajo, configure el interruptor de polaridad en la posición inferior.

#### Instrucciones de operación

##### Encendido del interruptor

- Encienda el interruptor automático colocando el interruptor de energía (F) en la posición superior.
- Una luz roja titilará lentamente durante 40 segundos mientras que el detector de movimiento (A) se calibra en función de la habitación.
- El mecanismo encenderá la luz si está apagada.
- **NOTA:** Cuando el mecanismo opera, el motor continuará funcionando durante varios segundos después de que el interruptor de la luz gire. Esto es normal.
- Cuando la luz roja deja de titilar, la unidad está lista para operar.
- Si el interruptor automático se apaga, puede operar el interruptor de la luz manualmente con el interruptor de encendido/apagado (On/Off) (C) en la parte frontal de la unidad.

##### Salir de la habitación

- Las luces se apagan automáticamente cuando no se detecta ningún movimiento por el tiempo establecido en el interruptor temporizador (D).
- Si saldrá de la habitación y desea que las luces se apaguen antes de que el temporizador lo haga automáticamente, puede apagar las luces en forma manual a través del interruptor manual de encendido/apagado (On/Off) (C).
- El detector de movimiento esperará 15 segundos antes de detectar movimiento nuevamente, por lo que tiene tiempo para salir de la habitación sin que las luces se enciendan nuevamente en forma automática.

##### Sensor de luz

- Si existe una falla debido a baterías agotadas, malfuncionamiento o si el mecanismo no puede mover el interruptor de la luz, una luz roja de advertencia detrás de la lente del sensor parpadeará rápidamente. El interruptor automático se desactivará, pero podrá operar el interruptor de luz en forma manual.
- Reemplace las baterías.
- Si la falla persiste, retire el interruptor de la pared.

##### Detección de problemas

Si la luz roja titila rápidamente, siga estos pasos en el siguiente orden:

- 1.) Si ha instalado el interruptor automático recientemente y nunca funcionó de manera correcta, revise si el interruptor de la luz está alineado con el interruptor manual de encendido/apagado (C) en la parte frontal de la unidad como se muestra en la figura 4. Apague el interruptor de energía (F), luego enciéndalo nuevamente para reiniciar la unidad.

- 2.) Apague el interruptor de energía (F). Reemplace las baterías y encienda nuevamente el interruptor de energía. Asegúrese de utilizar baterías nuevas de la misma marca y tipo. La luz roja titilará lentamente durante 40 segundos mientras el sensor de movimiento se calibra.
- 3.) Si la luz roja comienza a titilar rápidamente una vez más, intente mover el interruptor de luz (C) hacia arriba y hacia abajo en forma manual. El interruptor debe desplazarse hacia arriba y hacia abajo con una fuerza razonable.
- 4.) Si el interruptor de luz (C) no se mueve con facilidad, retire el interruptor automático de la pared.
- 5.) Inspeccione el interruptor de luz de pared. Si tiene dificultades para mover el interruptor de luz de pared hacia arriba y hacia abajo, el interruptor puede estar defectuoso. Consulte a un electricista calificado para que revise o reemplace el interruptor.
- 6.) Si el interruptor de luz de pared funciona normalmente, compruebe el funcionamiento del interruptor automático mientras está desconectado de la pared. Apague el interruptor de energía (F) y enciéndalo nuevamente. La luz roja titilará lentamente durante 40 segundos mientras el sensor de movimiento se calibra. Si el interruptor automático funciona normalmente cuando está desconectado del interruptor de pared, intente utilizarlo en un interruptor más fácil de operar. Es posible que algunos interruptores de luz de casas antiguas (de más de 50 años) requieran demasiada fuerza para que el interruptor automático funcione. Si el interruptor automático no funciona y la luz roja titila rápidamente, llame a la línea de ayuda de Black and Decker al 1-800-544-6986.

No incluye partes a las que el usuario pueda hacerles mantenimiento, con excepción de las baterías. Introduzca siempre las baterías correctamente respetando la polaridad (+ y -) indicada en la batería y en el equipo.

Para recibir ayuda con su producto, visite nuestro sitio Web [www.blackanddecker.com](http://www.blackanddecker.com) y conozca la ubicación del centro de Servicio más cercano a su domicilio o llame a la línea de ayuda de BLACK & DECKER al 1-800-544-6986.

#### Mantenimiento

Utilice únicamente jabón suave y un trapo húmedo para limpiar la herramienta. Nunca permita que se introduzcan líquidos en la herramienta; nunca sumerja ninguna parte de la herramienta en ningún líquido.

**IMPORTANTE:** Para garantizar la SEGURIDAD y la CONFIABILIDAD del producto, la reparaciones, el mantenimiento y los ajustes deberán efectuarse en centros de servicio autorizado u otras organizaciones de servicio calificado, que utilicen siempre refacciones idénticas.

#### Accesorios

Los accesorios que se recomiendan para la herramienta están disponibles en su distribuidor local o en el centro de mantenimiento autorizado. Si necesita ayuda con respecto a los accesorios, llame al: **(55)5326-7100**

⚠ **ADVERTENCIA:** El uso de accesorios no recomendados para utilizar con esta herramienta puede resultar peligroso.

#### Información de mantenimiento

Todos los Centros de mantenimiento de Black & Decker cuentan con personal altamente capacitado dispuesto a brindar a todos los clientes un servicio eficiente y confiable en la reparación de herramientas eléctricas. Si necesita consejo técnico, reparaciones o piezas de repuesto originales de fábrica, póngase en contacto con el centro de mantenimiento de Black & Decker más cercano a su domicilio. Para ubicar su centro de servicio local, consulte la sección "Herramientas eléctricas" (Tools-Electric) de las páginas amarillas, llame al **(55)5326-7100** o visite nuestro sitio [www.blackanddecker.com](http://www.blackanddecker.com).

#### Garantía completa de dos años para uso en el hogar

Black & Decker (Estados Unidos) Inc. ofrece una garantía de dos años por cualquier defecto del material o de fabricación de este producto. El producto defectuoso se reparará o reemplazará sin costo alguno de dos maneras.

La primera opción, el reemplazo, es devolver el producto al comercio donde se lo adquirió (siempre y cuando se trate de un comercio participante). Las devoluciones deben realizarse conforme a la política de devolución del comercio (generalmente, entre 30 y 90 días posteriores a la venta). Le pueden solicitar comprobante de compra. Consulte en el comercio acerca de la política especial sobre devoluciones una vez excedido el plazo establecido.

La segunda opción es llevar o enviar el producto (con flete pago) a un Centro de mantenimiento propio o autorizado de Black & Decker para su reparación o reemplazo según nuestro criterio. Le pueden solicitar el comprobante de compra. Los Centros de mantenimiento autorizados y de propiedad de Black & Decker se detallan en la sección "Herramientas eléctricas" (Tools-Electric) de las páginas amarillas de la guía telefónica. Esta garantía no se extiende a los accesorios. Esta garantía le concede derechos legales específicos; usted puede tener otros derechos que pueden variar según el estado o la provincia. Si tiene alguna pregunta, comuníquese con el gerente del Centro de mantenimiento de Black & Decker de su zona. Este producto no está diseñado para uso comercial.

#### Para reparación y servicio de sus herramientas eléctricas, favor de dirigirse al Centro de Servicio más cercano:

##### CULIACAN, SIN

Av. Nicolás Bravo #1063 Sur  
(667) 7 12 42 11  
Col. Industrial Bravo

##### GUADALAJARA, JAL

Av. La Paz #1779  
(33) 3825 6978  
Col. Americana Sector Juárez

##### MEXICO, D.F.

Eje Central Lázaro Cardenas  
No. 18  
(55) 5588 9377  
Local D, Col. Obrera

##### MERIDA, YUC

Calle 63 #459-A  
(999) 928 5038  
Col. Centro

##### MONTERREY, N.L.

Av. Francisco I. Madero  
No.831  
(81) 8375 2313  
Col. Centro

##### PUEBLA, PUE

17 Norte #205  
(222) 246 3714  
Col. Centro

##### QUERETARO, QRO

Av. Madero 139 Pte.  
(442) 214 1660  
Col. Centro

##### SAN LUIS POTOSI, SLP

Av. Universidad 1525  
(444) 814 2383  
Col. San Luis

##### TORREON, COAH

Blvd. Independencia, 96 Pte.  
(871) 716 5265  
Col. Centro

##### VERACRUZ, VER

Prolongación Díaz Mirón #4280  
(229)921 7016  
Col. Remes

##### VILLAHERMOSA, TAB

Constitución 516-A  
(993) 312 5111  
Col. Centro

#### PARA OTRAS LOCALIDADES LLAME AL: (55) 5326 7100

Vea "Herramientas eléctricas (Tools-Electric)"  
- Páginas amarillas -  
para Servicio y ventas



BLACK & DECKER S.A. DE C.V.  
BOSQUES DE CIDROS ACCESO RADIATAS NO. 42  
COL. BOSQUES DE LAS LOMAS.  
05120 MÉXICO, D.F.  
TEL. 55-5326-7100

#### Especificaciones

Tensión de alimentación 4,5V