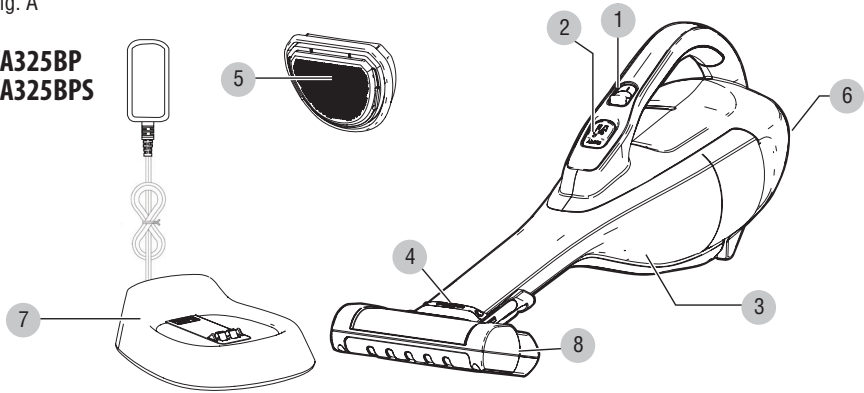


www.blackanddecker.com.au
www.blackanddecker.co.nz

DVA325JP
DVA325BP
DVA325BPS

Fig. A

DVA325BP
DVA325BPS



DVA325JP

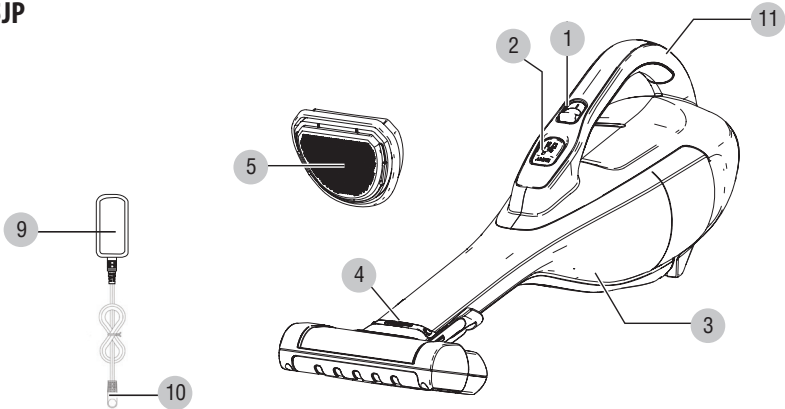


Fig. B

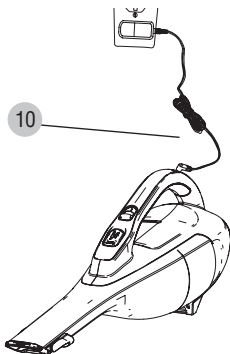
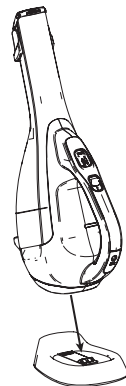
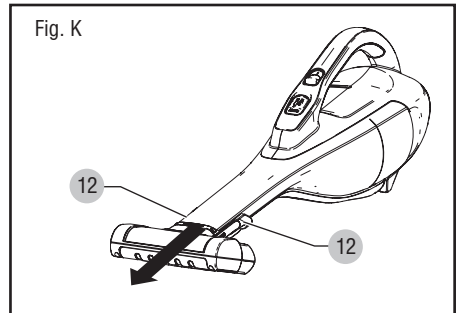
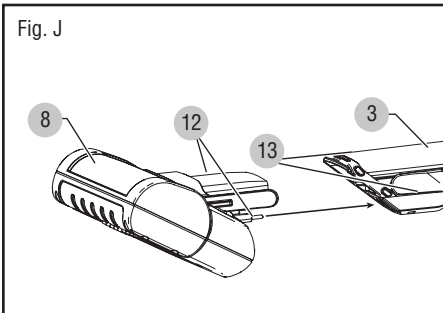
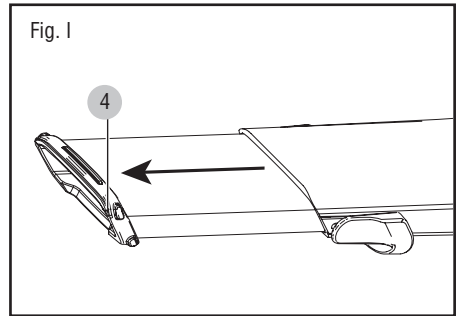
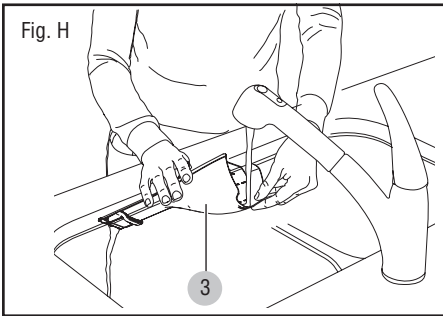
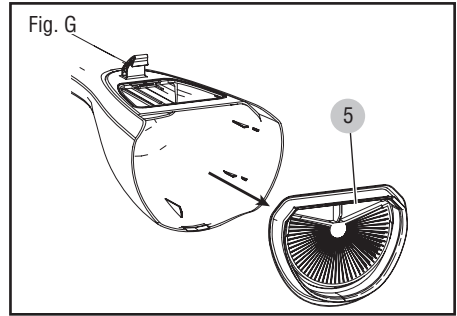
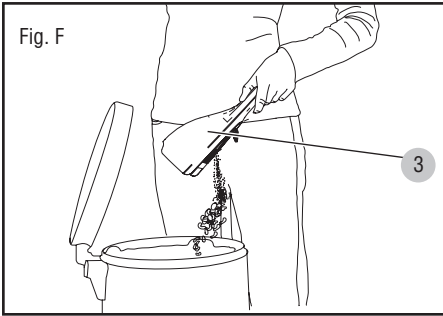
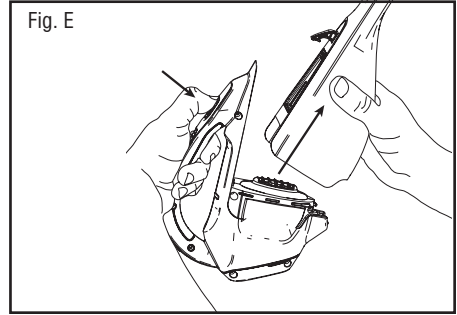
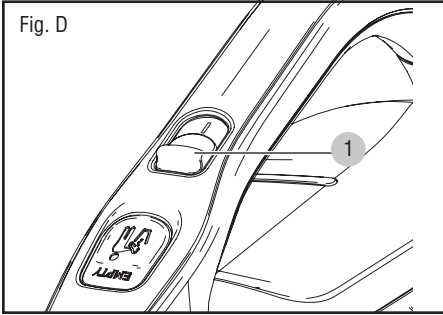


Fig. C





Intended use

Your BLACK+DECKER DVA325JP, DVA325BP and DVA325BPS Dustbuster® hand-held vacuum cleaners have been designed for vacuum cleaning purposes. These appliances are intended for house-hold use only.



Read all of this manual carefully before operating the appliance.

Safety instructions



WARNING! Read all safety warnings and all instructions. Failure to follow the warnings and instructions listed below may result in electric shock, fire and/or serious injury.

- The intended use is described in this manual. The use of any accessory or attachment or the performance of any operation with this appliance other than those recommended in this instruction manual may present a risk of personal injury.
- Retain this manual for future reference.

Using your appliance

- Do not use the appliance to pick up liquids or any materials that could catch fire.
- Do not use the appliance near water.
- Do not immerse the appliance in water.
- Never pull the charger lead to disconnect the charger from the socket. Keep the charger lead away from heat, oil and sharp edges.
- This appliance can be used by children aged from 8 years and above and persons with reduced physical, sensory or mental capabilities or lack of experience and knowledge if they have been given supervision or instruction concerning use of the appliance in a safe way and understand the hazards involved. Children shall not play with the appliance. Cleaning and user maintenance shall not be made by children

without supervision.

Inspection and repairs

Before use, check the appliance for damaged or defective parts.

Check for breakage of parts, damage to switches and any other conditions that may affect its operation.

- Do not use the appliance if any part is damaged or defective.
- Have any damaged or defective parts repaired or replaced by an authorized repair agent.
- Regularly check the charger lead for damage. Replace the charger if the lead is damaged or defective.
- Never attempt to remove or replace any parts other than those specified in this manual.

Additional safety instructions

After use

- Unplug the charger before cleaning the charger or charging base.
- When not in use, the appliance should be stored in a dry place.
- Children should not have access to stored appliances.

Residual risks

Additional residual risks may arise when using the tool which may not be included in the enclosed safety warnings. These risks can arise from misuse, prolonged use etc. Even with the application of the relevant safety regulations and the implementation of safety devices, certain residual risks can not be avoided. These include:

- Injuries caused by touching any rotating/moving parts.
- Injuries caused when changing any parts, blades or accessories.
- Injuries caused by prolonged use of a tool.

When using any tool for prolonged periods ensure you take regular breaks.

- Impairment of hearing. Health hazards caused by breathing dust developed when using your tool (example:- working with wood, especially oak, beech and MDF.)

Chargers

Your charger has been designed for a specific voltage. Always check that the mains voltage corresponds to the voltage on the rating plate.

Warning! Never attempt to replace the charger unit with a regular mains plug.

- Use your BLACK+DECKER charger only to charge the battery in the appliance with which it was supplied.
- Other batteries could burst, causing personal injury and damage.
- Never attempt to charge non-rechargeable batteries.
- If the supply cord is damaged, it must be replaced by the manufacturer or an authorised BLACK+DECKER Service Centre in order to avoid a hazard.
- Do not expose the charger to water.
- Do not open the charger.
- Do not probe the charger. The appliance/ battery must be placed in a well ventilated area when charging.

Electrical safety

Symbols on the charger



Read all of this manual carefully before using the appliance.



This tool is double insulated; therefore no earth wire is required. Always check that the power supply corresponds to the voltage on the rating plate.



The charger is intended for indoor use only.

Labels on appliance

The following symbols appear on this appliance along with the date code.



Read all of this manual carefully before using the appliance



Only use with charger
S003AQ-15

Features

This tool includes some or all of the following features.

1. On/off switch
2. Dust bowl release button
3. Dust bowl
4. Extendable crevice tool
5. Filter
6. Charging terminals
7. Base charger
8. Pet head
9. Charger
10. Jack plug
11. Charging socket

Assembly



WARNING! Do not attempt to modify or repair the appliance

Charging the battery (DVA325JP)



WARNING! For use only with the supplied charger.

From new, the rechargeable cells of the product need a minimum charge time of 16 hours to ensure full power.

- The switch must be in the off ("0") position, the product will not charge if it is in any other position.
- Figure B - Plug the jack plug (10) of the charger into the charging socket (11) of the tool. Plug the charger into any standard 240 Volt 50 Hz electrical outlet.
- While charging, the charger may get warm, this is perfectly normal and safe. It is safe to leave the appliance connected to the

charger indefinitely. The charger automatically reduces power consumption when charging is complete.



WARNING! Do not charge the battery at ambient temperatures below 39°F (4°C) or above 104°F (40°C).

Charging the battery (DVA325BP, DA325BPS)

WARNING! For use only with the supplied charger.

- Before first use, the battery must be charged for at least 16 hours.
- Place the appliance on the charging base (7) whenever it is not in use as shown in Figure C.
- Plug the charger into any standard 240 Volt 50 Hz electrical outlet.

WARNING! Before charging, be sure to empty all contents and dry thoroughly if needed to avoid damage to your appliance.

- Make sure the appliance is switched off. The battery will not be charged when the on/off switch (1) is in the on position.

NOTE: While charging, the charger may become warm. This is normal and does not indicate a problem. The appliance can be left connected to the charger indefinitely.

NOTE: Remove the pet head before charging.



WARNING! Do not charge the battery at ambient temperatures below 39°F (4°C) or above 104°F (40°C).

Use

Switching on and off (Fig. D)

- To start, slide the On/Off switch (1) forward (i.e. “0”= Off, “1” = On) in Figure D.
- To stop, slide the switch back.
- Return the product to the charger immediately after use so that it will be ready and fully charged for the next use. Ensure that the product is fully engaged with the charger plug.

Cleaning and emptying the product

WARNING! Projectile/Respiratory

Hazard: Never use the vac without its filter.

NOTE: The filter is re-usable, do not confuse it with a disposable dust bag, and do not throw it away when the product is emptied. We recommend that you replace the filter every 6–9 months depending on frequency of use.

There are two methods of cleaning the bowl, a quick empty method and a thorough clean method.

For a quick empty (Fig. E, F)

- Press the dust bowl release button (2) on the handle and remove the dust bowl in Figure E.
- The top of the bowl is open when the bowl is removed so that dust can be easily dumped without touching the filter.
- Empty the dust from the bowl (3) in Figure F.
- To replace dust bowl, place it back onto the handle until it “clicks” firmly into position.

For a more thorough cleaning, remove bowl as described in Figure F.

For a more thorough cleaning (Fig. G, H)

- Press the dust bowl release button (2) on the handle and remove the dust bowl in Figure G.
- Remove filter from within the bowl.
- For a more thorough cleaning (Fig. G, H)
- Press the dust bowl release button (2) on the handle and remove the dust bowl in Figure G.
- Remove filter from within the bowl.
- Shake or lightly brush any loose dust off filter.
- The dust bowl (3) and filter can be washed in warm soapy water. Allow to dry before placing back into the vac.
- Place filter back into the bowl pressing firmly to ensure a secure fit.
- To replace dust bowl, place it back onto

the handle until it “clicks” firmly into position.

IMPORTANT: Maximum dust collection will only be obtained with a clean filter and an empty dust bowl. If dust begins to fall back out of the product after it is switched off, this indicates that the bowl is full and requires emptying.

- Wash the filters regularly using warm, soapy water and ensure that it is completely dry before using again. The cleaner the filter is, the better the product will perform.
- It is very important that the filter is correctly in position before use.

Nozzle / Accessories (Fig. I-K)

- A crevice tool (4) is built into the nozzle and can be extended as shown in Figure I by pulling the extension piece until it locks into position in Figure I.

Attaching Pet Head (Fig. J)

CAUTION: The unit needs to be switched off when the pet head is attached or detached.

NOTE: Do not use directly on pets.

Slide the dust bowl opening (3) into the opening of the motorized pet head (8), ensuring that the connectors (12) engage with the recesses (13). An audible click will be heard.

Removing Pet Head (Fig. K)

CAUTION: The unit needs to be switched off when the pet head is attached or detached.

- Pull the motorized pet head release tabs (12) outward.
- Pull the main unit from the pet head (8).

Scented filter

- BEFORE FIRST USE - remove bag from the scented pre-filter. Reassemble per instructions above.
- When the vacuum is turned on, the plastic scented filter will emit an aroma to freshen the air.

 **WARNING:**

- Causes mild skin irritation
- Toxic to aquatic life
- Harmful to aquatic life with long lasting effects.
- Dispose of contents/ containers to an approved waste disposal plant.

NOTE: When the plastic scented filter no longer lets off the aroma, it can be an indication that the filter needs to be replaced. See below for information on replacement filters.

Replacing the filters


The filters should be replaced every 6 to 9 months and whenever worn or damaged. Replacement filters are available from your BLACK+DECKER dealer (cat. noVPF30).

- Remove the old filters as described above.
- Fit the new filters as described above.

Maintenance

Your BLACK+DECKER cordless appliance has been designed to operate over a long period of time with a minimum of maintenance.

Continuous satisfactory operation depends upon proper tool care and regular cleaning.

 **WARNING!** Before performing any maintenance on cordless appliances:

- Run the battery down completely if it is integral and then switch off.
- Unplug the charger before cleaning it. Your charger does not require any maintenance apart from regular cleaning.
- Regularly clean the ventilation slots in your appliance/charger using a soft brush or dry cloth.
- Regularly clean the motor housing using a damp cloth. Do not use any abrasive or solvent-based cleaner.

Protecting the environment



Separate collection. Products and batteries marked with this symbol must not be disposed of with normal household waste.

Products and batteries contain materials that can be recovered or recycled reducing the demand for raw materials. Please recycle electrical products and batteries according to local provisions. Further information is available at www.2helpU.com

Technical Data

	DVA325JP	DVA325BP	DVA325BPS
Voltage	10.8V	10.8V	10.8V
Current	2.5Ah	2.5Ah	2.5Ah
Watt Hours	27W	27W	27W
Weight	0.93kg	0.93kg	0.93kg

Australia & New Zealand
 Stanley Black & Decker
www.blackanddecker.com.au
www.blackanddecker.co.nz
 Tel.1800 338 002 (Aust) or Tel. 0800 339 258 (NZ)