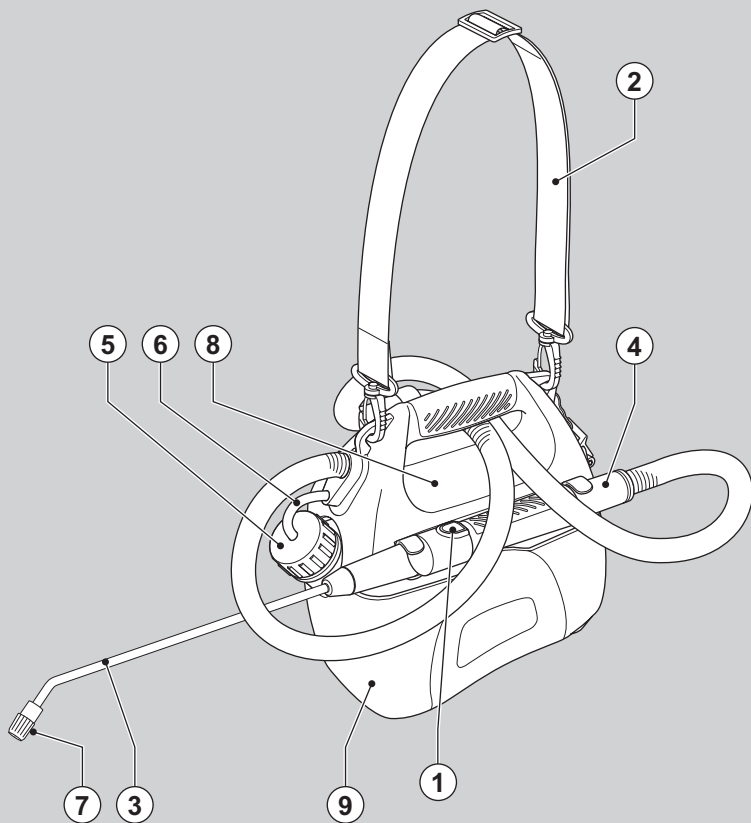
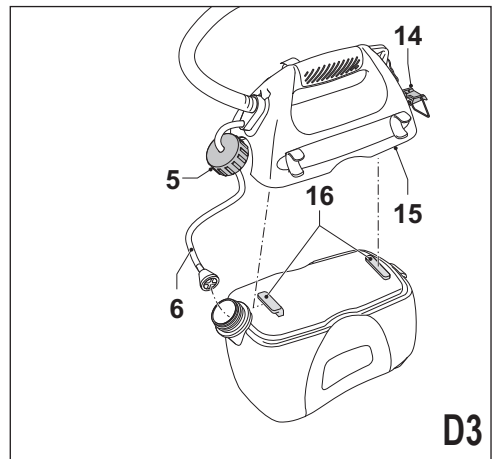
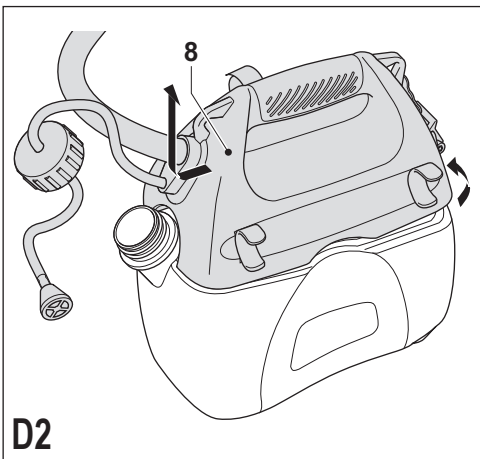
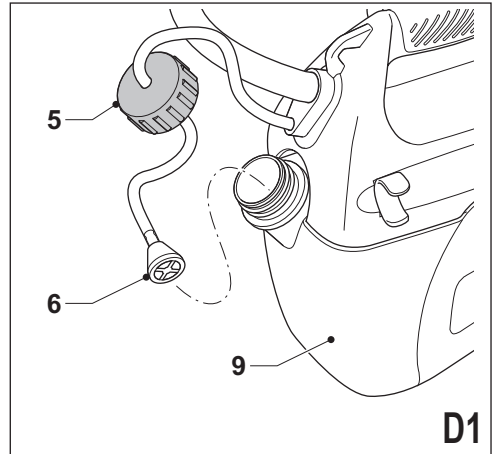
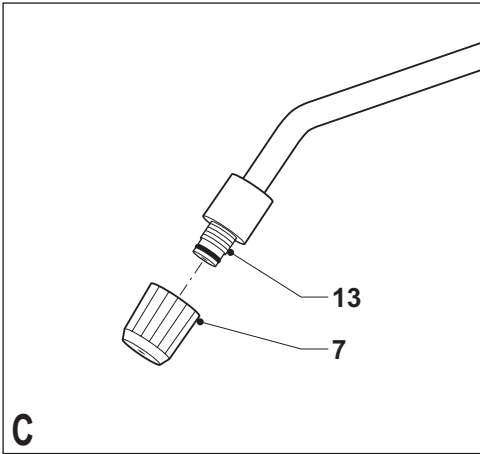
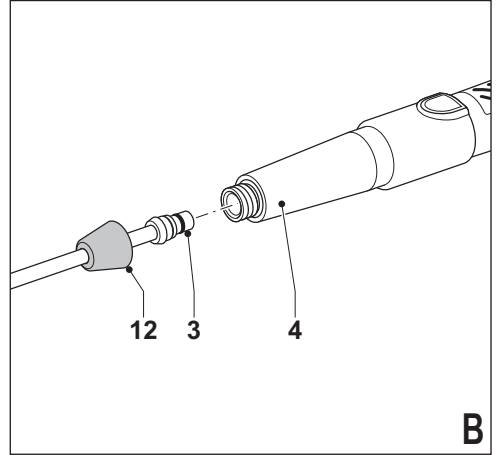
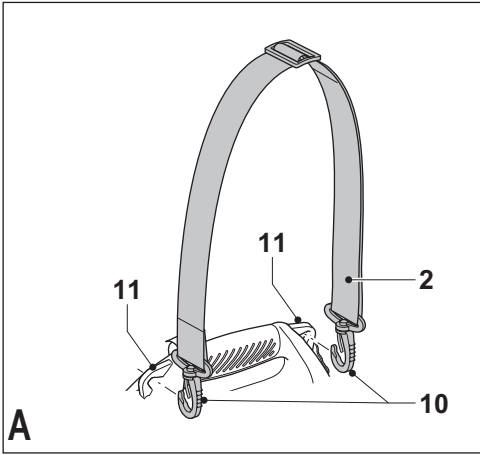
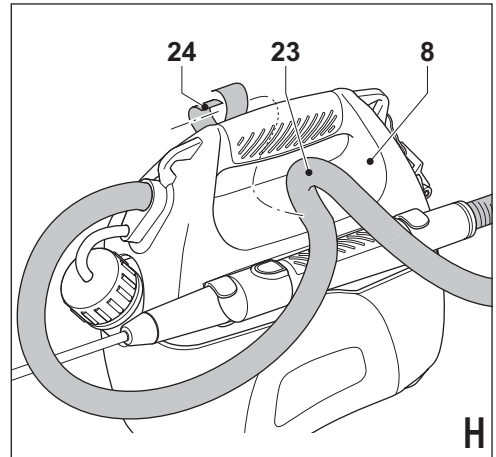
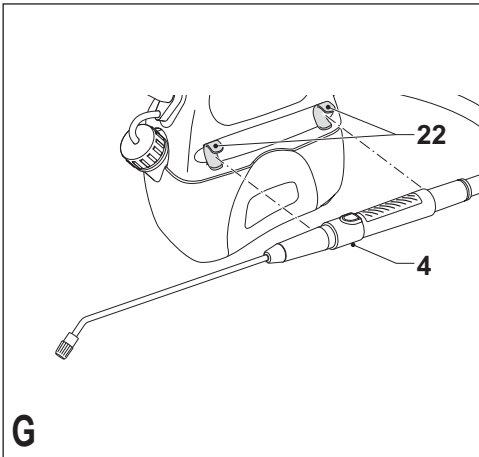
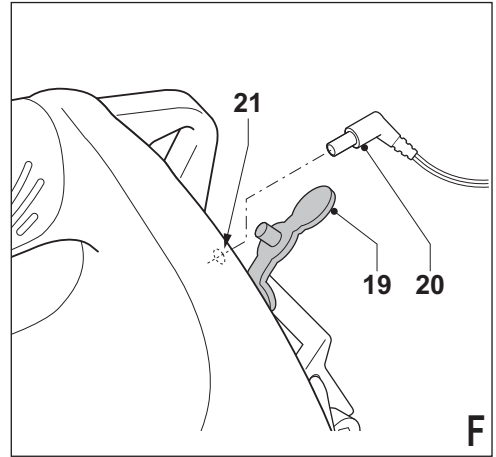
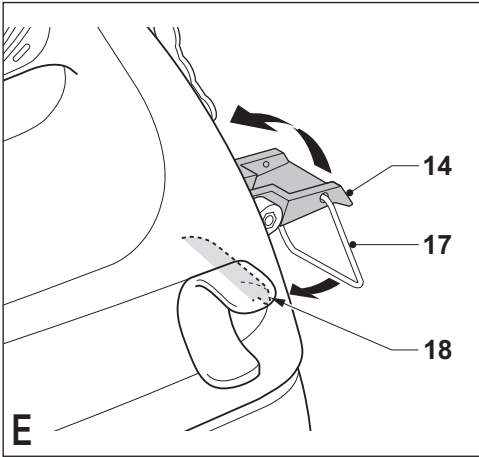


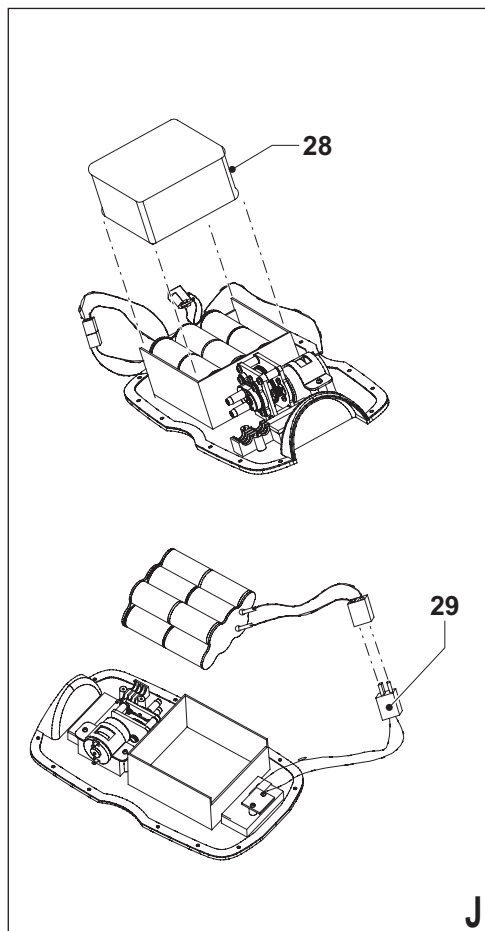
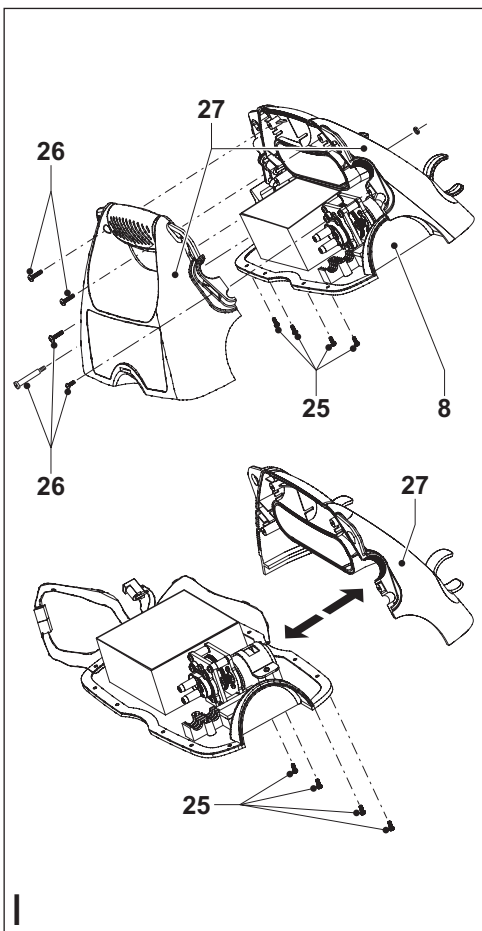
Powerful Solutions™



English	(Original instructions)	6
Deutsch	(Übersetzung der Originalanleitung)	12
Français	(Traduction des instructions d'origine)	19
Italiano	(Traduzione delle istruzioni originali)	26
Nederlands	(Vertaling van de originele instructies)	33
Español	(Traducción de las instrucciones originales)	40
Português	(Tradução das instruções originais)	47
Svenska	(Översättning av de ursprungliga anvisningarna)	54
Norsk	(Oversettelse av de opprinnelige instruksjonene)	60
Dansk	(Oversættelse af de originale instruktioner)	66
Suomi	(Alkuperäisten ohjeiden käännös)	72
Ελληνικά	(Μετάφραση των αρχικών οδηγιών)	78







Intended use

Your Black & Decker sprayer has been designed to spray a range of water based lawn and garden chemicals such as insecticides, fungicides, weed killers and fertilizers.

This product is intended for consumer use only.

General safety rules

Warning!

- ◆ Read all instructions including Material Safety Data Sheets (MSDS), and container labels provided with the chemicals.
- ◆ Read all safety warnings designated by the m symbol, Material Safety Data Sheets (MSDS), container labels provided with the chemicals and all instructions.
- ◆ Read all instructions. Failure to follow all instructions listed below may result in electric shock, fire and/or serious injury. The term "power tool" in all of the warnings listed below refers to your mains operated (corded) power tool or battery operated (cordless) power tool.

SAVE THESE INSTRUCTIONS.

1. Work area safety

- a. **Keep work area clean and well lit.** Cluttered and dark areas invite accidents.
- b. **Do not operate power tools in explosive atmospheres, such as in the presence of flammable liquids, gases or dust.** Power tools create sparks which may ignite the dust or fumes.
- c. **Keep children and bystanders away while operating a power tool.** Distractions can cause you to lose control.

2. Electrical safety

- a. **Power tool plugs must match the outlet. Never modify the plug in any way. Do not use any adapter plugs with earthed (grounded) power tools.** Unmodified plugs and matching outlets will reduce risk of electric shock.
- b. **Avoid body contact with earthed or grounded surfaces such as pipes, radiators, ranges and refrigerators.** There is an increased risk of electric shock if your body is earthed or grounded.
- c. **Do not expose power tools to rain or wet conditions.** Water entering a power tool will increase the risk of electric shock.
- d. **Do not abuse the cord. Never use the cord for carrying, pulling or unplugging the power tool. Keep cord away from heat, oil, sharp edges or moving parts.** Damaged or entangled cords increase the risk of electric shock.
- e. **When operating a power tool outdoors, use an extension cord suitable for outdoor use.** Use of a cord suitable for outdoor use reduces the risk of electric shock.

3. Personal safety

- a. **Stay alert, watch what you are doing and use common sense when operating a power tool. Do not use a power tool while you are tired or under the influence of drugs, alcohol or medication.** A moment of inattention while operating power tools may result in serious personal injury.
- b. **Use safety equipment. Always wear eye protection.** Safety equipment such as dust mask, non-skid safety shoes, hard hat, or hearing protection used for appropriate conditions will reduce personal injuries.
- c. **Avoid accidental starting. Ensure the switch is in the off position before plugging in.** Carrying power tools with your finger on the switch or plugging in power tools that have the switch on invites accidents.
- d. **Remove any adjusting key or wrench before turning the power tool on.** A wrench or a key left attached to a rotating part of the power tool may result in personal injury.
- e. **Do not overreach. Keep proper footing and balance at all times.** This enables better control of the power tool in unexpected situations.
- f. **Dress properly. Do not wear loose clothing or jewellery. Keep your hair, clothing and gloves away from moving parts.** Loose clothes, jewellery or long hair can be caught in moving parts.
- g. **If devices are provided for the connection of dust extraction and collection facilities, ensure these are connected and properly used.** Use of these devices can reduce dust related hazards.

4. Power tool use and care

- a. **Do not force the power tool. Use the correct power tool for your application.** The correct power tool will do the job better and safer at the rate for which it was designed.
- b. **Do not use the power tool if the switch does not turn it on and off.** Any power tool that cannot be controlled with the switch is dangerous and must be repaired.
- c. **Disconnect the plug from the power source before making any adjustments, changing accessories, or storing power tools.** Such preventive safety measures reduce the risk of starting the power tool accidentally.
- d. **Store idle power tools out of the reach of children and do not allow persons unfamiliar with the power tool or these instructions to operate the power tool.** Power tools are dangerous in the hands of untrained users.
- e. **Maintain power tools. Check for misalignment or binding of moving parts, breakage of parts and any other condition that may affect the power tools operation. If damaged, have the power tool repaired before use.** Many accidents are caused by poorly maintained power tools.
- f. **Keep cutting tools sharp and clean.** Properly maintained cutting tools with sharp cutting edges are less likely to bind and are easier to control.

g. Use the power tool, accessories and tool bits etc., in accordance with these instructions and in the manner intended for the particular type of power tool, taking into account the working conditions and the work to be performed. Use of the power tool for operations different from those intended could result in a hazardous situation.

5. Battery tool use and care

- a. Ensure the switch is in the off position before inserting battery pack. Inserting the battery pack into power tools that have the switch on invites accidents.
- b. Recharge only with the charger specified by the manufacturer. A charger that is suitable for one type of battery pack may create a risk of fire when used with another battery pack.
- c. Use power tools only with specifically designated battery packs. Use of any other battery packs may create a risk of injury and fire.
- d. When battery pack is not in use, keep it away from other metal objects like paper clips, coins, keys, nails, screws, or other small metal objects that can make a connection from one terminal to another. Shorting the battery terminals together may cause burns or a fire.
- e. Under abusive conditions, liquid may be ejected from the battery; avoid contact. If contact accidentally occurs, flush with water. If liquid contacts eyes, additionally seek medical help. Liquid ejected from the battery may cause irritation or burns.

6. Service

- a. Have your power tool serviced by a qualified repair person using only identical replacement parts. This will ensure that the safety of the power tool is maintained.

Additional safety instructions

Warning!

- ◆ Read all instructions and safety precautions for equipment and spray material before operation any equipment.
- ◆ Comply with all appropriate local, state and national codes governing ventilation, fire prevention and operation.
- ◆ Keep sprayer out of reach of children.
- ◆ Hearing protection is recommended for extended use.
- ◆ Use eye protection to keep particles out of eyes.

Hazardous vapours

Insecticides and other materials may be harmful if inhaled causing severe nausea, fainting or poisoning.

- a. Use a respirator or mask whenever there is a chance that vapours may be inhaled. Read all instructions with the spray material and mask to ensure that it will provide the necessary protection against the inhalation of harmful vapours.

Additional safety instructions for sprayers

The following warning symbols are found on the appliance:



Do not expose the appliance to rain or high humidity.



Read the manual prior to operation.



Do not dispose of in fire.



Keep bystanders away.



Wear safety glasses or goggles when operating this tool.



Wear a respirator or mask.



Use only non-flammable liquids.

Warning!

- ◆ Before using any pesticide or other spray materials in this sprayer, read the label on its original container thoroughly and follow its directions. Some spray materials are dangerous and should not be used in this sprayer as they can damage the sprayer and cause serious bodily injury or property damage.
- ◆ Before any use, be sure anyone using this sprayer reads and understands all safety instructions and other information contained in this manual.
- ◆ Do not operate gardening appliances in gaseous or explosive atmospheres. Motors in these appliances normally spark and sparks might ignite fumes.
- ◆ Do not use commercial grade chemicals or for commercial or industrial purposes. Use only consumer grade water-based lawn and garden chemicals.
- ◆ Do not use caustic (alkali) self heating or corrosive (acid) liquids in this sprayer as these can corrode metal parts or weaken hose and seals.
- ◆ Do not use hot or boiling liquids in sprayer as this may weaken tank and hose.
- ◆ Do not leave residue or spray material in the tank after using sprayer.
- ◆ Do not smoke while spraying or spray where spark of flame is present.
- ◆ Do thoroughly inspect both inside and outside of sprayer before each use.
- ◆ Do empty, clean and drain both tank and hose after each use according to directions.

- ◆ Do not use guns for spraying flammable materials.
- ◆ Do not spray any material where the hazard is not known.
- ◆ Use only non-flammable liquids.

Personal safety

- Additional personal safety equipment such as appropriate gloves and a respirator or mask must be used when handling chemicals.** Safety equipment used for appropriate conditions will reduce personal injuries.
- Do not spray yourself, any person or animal. Keep hands and other body parts away from the discharge. In case of skin injection, seek medical attention immediately.** The sprayed material may pierce the skin and be injected to your body.
- Do not treat injection as a simple cut.** Spray is able to inject toxins into the body and cause serious bodily injury. In the event that injection occurs, seek medical attention immediately.
- Beware of any hazards presented by the material being sprayed. Consult the markings on the container or the information supplied by the manufacturer of the material to be sprayed, including requirements for the use of personal protective equipment.** Manufacturer's instructions must be followed to reduce the risk of fire and personal injury, derived from toxins, carcinogens, etc.

Residual risks

Additional residual risks may arise when using the tool which may not be included in the enclosed safety warnings. These risks can arise from misuse, prolonged use, etc.

Even with the application of the relevant safety regulations and the implementation of safety devices, certain residual risks can not be avoided. These include:

- ◆ Injuries caused by touching any rotating/moving parts.
- ◆ Injuries caused when changing any parts, blades or accessories.
- ◆ Injuries caused by prolonged use of a tool. When using any tool for prolonged periods ensure you take regular breaks.
- ◆ Impairment of hearing.
- ◆ Health hazards caused by breathing dust developed when using your tool (example: working with wood, especially oak, beech and MDF).

Safety of others

- ◆ This appliance is not intended for use by persons (including children) with reduced physical, sensory or mental capabilities, or lack of experience and knowledge, unless they have been given supervision or instruction concerning use of the appliance by a person responsible for their safety.

- ◆ Children should be supervised to ensure that they do not play with the appliance.

Additional safety instructions for batteries and chargers

Batteries

- ◆ Never attempt to open for any reason.
- ◆ Do not expose the battery to water.
- ◆ Do not store in locations where the temperature may exceed 40 °C.
- ◆ Charge only at ambient temperatures between 10 °C and 40 °C.
- ◆ Charge only using the charger provided with the tool.
- ◆ When disposing of batteries, follow the instructions given in the section "Protecting the environment".

Chargers

- ◆ Use your Black & Decker charger only to charge the battery in the tool with which it was supplied. Other batteries could burst, causing personal injury and damage.
- ◆ Never attempt to charge non-rechargeable batteries.
- ◆ Have defective cords replaced immediately.
- ◆ Do not expose the charger to water.
- ◆ Do not open the charger.
- ◆ Do not probe the charger.



The charger is intended for indoor use only.



Read the instruction manual before use.



Fail safe isolating transformer. The mains supply is electrically separated from the transformer output.



The charger automatically shuts off if the ambient temperature becomes too high. As a consequence the charger will be inoperable. The unit must be disconnected from the mains supply and taken to an authorised service centre for repair.

Electrical safety



Your charger is double insulated; therefore no earth wire is required. Always check that the mains voltage corresponds to the voltage on the rating plate.

Warning! Never attempt to replace the charger unit with a regular mains plug.

Features

1. On/off switch
2. Carrying strap
3. Wand
4. Wand handle
5. Tank cap
6. Suction tube
7. Nozzle
8. Power head
9. Tank

Assembly and adjustment

Warning! Make sure that the sprayer is switched off.

Attaching the carrying strap (fig. A)

- ◆ Attach the clips (10) of the strap (2) to the openings (11) on the power head.

Assembling the spray wand (fig. B)

- ◆ Insert the wand (3) into the wand handle (4) until it locks into place.
- ◆ Tighten the cap (12) onto the handle.

Fitting the nozzle (fig. C)

- ◆ Screw the nozzle (7) onto the handle tip (13).

Adjusting the cone type nozzle

- ◆ Turn the nozzle (7) clockwise for narrow misting applications.
- ◆ Turn the nozzle (7) counterclockwise for wide misting applications.

Removing and replacing the power head (fig. D & E)

- ◆ Unscrew the tank cap (5) (fig. D1).
- ◆ Remove the suction tube (6) from the tank (9).
- ◆ Release the latch (14) by pressing it downward (fig. E).
- ◆ Raise the back of the power head (8) and move it forward (fig. D2).
- ◆ Pull off the power head (8).
- ◆ To attach the power head (8), align the slots (15) in the power head with the tabs (16) on top of the tank (9) (fig. D2 & D3).
- ◆ Move the power head (8) backward until it locks into place.
- ◆ Fit the bracket (17) over the latch attachment (18) (fig. E).
- ◆ Push the latch (14) upward until it locks into place.
- ◆ Place the suction tube (6) in the tank.
- ◆ Replace the tank cap (5) and tighten it.

Use

Warning!

- ◆ Use safety equipment.
- ◆ Only spray in well-ventilated areas.
- ◆ Only use recommended chemicals as described in the safety instructions.

Charging the battery (fig. F)

The battery needs to be charged before first use and whenever it fails to produce sufficient power on jobs that were easily done before. When charging the battery for the first time, or after prolonged storage, it will only accept an 80% charge. After several charge and discharge cycles, the battery will attain full capacity. The battery may become warm while charging; this is normal and does not indicate a problem.

Warning! Do not charge the battery at ambient temperatures below 10 °C or above 40 °C. Recommended charging temperature: approx. 24 °C.

- ◆ Pull out the socket cover (19).
- ◆ Insert the charger plug (20) into the charger connector (21) at the rear of the appliance.
- ◆ Plug in the charger.
- ◆ Switch on at the mains.
- ◆ Leave the appliance connected to the charger for 14-18 hours.

Whilst charging, the charger may become warm. This is normal and does not indicate a problem. The appliance can be left connected to the charger indefinitely.

- ◆ Before using the appliance, unplug the charger and disconnect the appliance from the charger.
- ◆ Replace the socket cover (19).

Warning! The appliance does not operate while it is connected to the charger.

Filling the tank (fig. D1)

- ◆ Unscrew the tank cap (5).
- ◆ Remove the suction tube (6) from the tank (9).
- ◆ Fill the tank with an appropriate liquid.

Warning! Only use appropriate chemicals as described in the safety instructions.

Switching on and off

- ◆ To switch on, press the button (1).
- ◆ To switch off, release the button (1).

Warning!

- ◆ Always spray downwind, away from people and animals.
- ◆ Only use nozzles specified by the manufacturer.
- ◆ If the nozzle clogs, switch off the appliance immediately.

Cleaning and maintenance

Warning!

- ◆ Do not store chemicals in the appliance.
- ◆ Do not use aggressive or abrasive cleaning agents.
- ◆ Always read and follow the manufacturer's instructions on the cleaning agent you use.
- ◆ Dispose of the contaminated liquid in accordance with local regulations.

Cleaning the tank

The appliance should be cleaned after use.

- ◆ Remove the power head (8).
- ◆ If there is any liquid left, drain the liquid back into the original container or store in an appropriate container.
- ◆ Fill the tank (9) to 1/3 of its volume with clean water and soap.

Warning! Do not use flammable liquids for cleaning.

- ◆ Replace the power head (8).
- ◆ Spray the contents of the tank until the tank (9) is empty.
- ◆ Repeat the previous instruction as many times as required.

Cleaning the filter (fig. D1)

If the stream of the liquid weakens the filter can be clogged.

To clean the filter proceed as follow:

- ◆ Unscrew the tank cap (5).
- ◆ Remove the suction tube (6) from the tank (9).
- ◆ Clean the filter with warm soapy water.

Storing (fig. G & H)

Warning! Do not store in locations where the temperature is below 0 °C.

- ◆ Clean and dry all parts of the appliance when not in use for more than one day.
- ◆ Attach the wand handle (4) onto the side clips (22) (fig. G).
- ◆ Fit the hose (23) with the Velcro fastener (24) to the power head (8) (fig. H).

Accessories

The performance of your tool depends on the accessory used. Black & Decker and Piranha accessories are engineered to high quality standards and designed to enhance the performance of your tool. By using these accessories you will get the very best from your tool.

Troubleshooting

If the tool does not operate correctly, check the following.

Fault	Possible cause	Action
The stream of liquid weakens or stops.	Filter clogged.	Check the filter at the end of the suction tube. Clean the filter with warm soapy water.
	Weak battery.	Recharge the battery.
	Suction tube not all the way down in the tank.	Push the suction tube completely down.
The unit will not start.	Battery not charged.	Check the battery charging requirements.

Protecting the environment



Separate collection. This product must not be disposed of with normal household waste.

Should you find one day that your Black & Decker product needs replacement, or if it is of no further use to you, do not dispose of it with household waste. Make this product available for separate collection.



Separate collection of used products and packaging allows materials to be recycled and used again. Re-use of recycled materials helps prevent environmental pollution and reduces the demand for raw materials.

Local regulations may provide for separate collection of electrical products from the household, at municipal waste sites or by the retailer when you purchase a new product.

Black & Decker provides a facility for the collection and recycling of Black & Decker products once they have reached the end of their working life. To take advantage of this service please return your product to any authorised repair agent who will collect them on our behalf.

You can check the location of your nearest authorised repair agent by contacting your local Black & Decker office at the address indicated in this manual. Alternatively, a list of authorised Black & Decker repair agents and full details of our after-sales service and contacts are available on the Internet at: www.2helpU.com

Battery (fig. I & J)



Black & Decker batteries can be recharged many times. If you want to dispose of the product yourself, the battery must be removed as described below and disposed of in accordance with local regulations.

Warning!

- ◆ Disconnect the appliance from the power supply before removing the battery.
- ◆ Do not short-circuit the battery terminals.
- ◆ Do not dispose of the battery in fire as this may result in an explosion.
- ◆ Preferably discharge the battery by operating the appliance until the motor stops.
- ◆ Remove the power head (8).
- ◆ Remove the screws (25) from the bottom (fig. I).

- ◆ Remove the screws (26) from the side.
- ◆ Open the housing.
- ◆ Remove both sides of the housing (27).
- ◆ Remove the battery cover (28) (fig. J).
- ◆ Pull the battery out of the appliance.
- ◆ Pull off the terminal clips (29).
- ◆ Place the battery in suitable packaging to ensure that the terminals cannot be short-circuited.
- ◆ Take the battery to your service agent or a local recycling station. Collected batteries will be recycled or disposed of properly.

- ◆ Repairs have been attempted by persons other than authorised repair agents or Black & Decker service staff.

To claim on the guarantee, you will need to submit proof of purchase to the seller or an authorised repair agent. You can check the location of your nearest authorised repair agent by contacting your local Black & Decker office at the address indicated in this manual. Alternatively, a list of authorised Black & Decker repair agents and full details of our after-sales service and contacts are available on the Internet at:

www.2helpU.com

Please visit our website **www.blackanddecker.co.uk** to register your new Black & Decker product and to be kept up to date on new products and special offers. Further information on the Black & Decker brand and our range of products is available at **www.blackanddecker.co.uk**

Technical data

GSC500 H2	
Voltage	V _{DC} 14.4
Capacity	l 4.7
Weight	kg 2

Charger

VA170020D	
Input voltage	V _{AC} 230
Output voltage	V _{AC} 17
Amperage	mA 200
Approx. charging time	h 14-18
Weight	kg 0.2

Level of sound pressure according to EN 60745:

Sound pressure (L_{pa}) 76.5 dB(A), uncertainty (K) 3 dB(A)

Sound power (L_{wa}) 87.5 dB(A), uncertainty (K) 3 dB(A)

Vibration total values (triax vector sum) according to EN 60745:

Hand/arm weighted vibration 0.26 m/s²

Guarantee

Black & Decker is confident of the quality of its products and offers an outstanding guarantee. This guarantee statement is in addition to and in no way prejudices your statutory rights. The guarantee is valid within the territories of the Member States of the European Union and the European Free Trade Area.

If a Black & Decker product becomes defective due to faulty materials, workmanship or lack of conformity, within 24 months from the date of purchase, Black & Decker guarantees to replace defective parts, repair products subjected to fair wear and tear or replace such products to ensure minimum inconvenience to the customer unless:

- ◆ The product has been used for trade, professional or hire purposes;
- ◆ The product has been subjected to misuse or neglect;
- ◆ The product has sustained damage through foreign objects, substances or accidents;

Bestimmungsgemäße Verwendung

Ihr Black & Decker Sprüherät wurde konstruiert, um eine breite Palette an wasserbasierten Rasen- und Gartenchemikalien wie beispielsweise Insektiziden, Fungiziden, Unkrautvernichtern und Düngemitteln zu versprühen. Dieses Gerät ist nicht für den gewerblichen Einsatz vorgesehen.

Allgemeine Sicherheitsregeln

Achtung!

- ◆ Lesen Sie sämtliche Anweisungen einschließlich der Material sicherheitsdatenblätter (MSDS) sowie die Aufkleber auf den Chemiebehältern durch.
- ◆ Lesen Sie sämtliche Sicherheitswarnhinweise, die durch das Symbol m gekennzeichnet sind, die Material sicherheitsdatenblätter (MSDS), die Aufkleber auf den Chemiebehältern sowie alle anderen Anweisungen genau durch.
- ◆ Sämtliche Anweisungen sind zu lesen. Die Nichteinhaltung der nachstehend aufgeführten Anweisungen kann einen elektrischen Schlag, Brand und/oder schwere Verletzungen verursachen. Der nachfolgend verwendete Begriff "Elektrowerkzeug" bezieht sich auf netzbetriebene Elektrowerkzeuge (mit Netzkabel) und auf akkubetriebene Elektrowerkzeuge (ohne Netzkabel).

BEWAHREN SIE DIESE ANWEISUNGEN AUF.

1. Sicherheit am Arbeitsplatz

- a. **Halten Sie Ihren Arbeitsbereich sauber und gut ausgeleuchtet.** Unordnung und dunkle Arbeitsbereiche fordern Unfälle geradezu heraus.
- b. **Arbeiten Sie mit Elektrowerkzeugen nicht in explosionsgefährdeter Umgebung, in der sich brennbare Flüssigkeiten, Gase oder Stäube befinden.** Elektrowerkzeuge erzeugen Funken, die den Staub oder die Dämpfe entzünden können.
- c. **Halten Sie Kinder und andere Personen während der Benutzung eines Elektrowerkzeugs fern.** Bei Ablenkung können Sie die Kontrolle verlieren.

2. Elektrische Sicherheit

- a. **Der Anschlussstecker des Elektrowerkzeugs muß in die Steckdose passen. Der Stecker darf in keiner Weise verändert werden. Verwenden Sie keine Adapterstecker gemeinsam mit schutzgeerdeten Elektrowerkzeugen.** Unveränderte Stecker und passende Steckdosen verringern das Risiko eines elektrischen Schlages.
- b. **Vermeiden Sie Körperkontakt mit geerdeten Oberflächen von Rohren, Heizungen, Herden und Kühlschränken.** Es besteht ein erhöhtes Risiko eines elektrischen Schlages, wenn Ihr Körper geerdet ist.

- c. **Halten Sie Elektrowerkzeuge von Regen und Nässe fern.** Das Eindringen von Wasser in ein Elektrowerkzeug erhöht das Risiko eines elektrischen Schlages.
- d. **Mißbrauchen Sie nicht das Kabel. Verwenden Sie das Kabel niemals zum Tragen, Ziehen oder Trennen des Elektrowerkzeugs vom Netz. Halten Sie das Kabel fern von Hitze, Öl, scharfen Kanten oder sich bewegenden Teilen.** Beschädigte oder verwickelte Kabel erhöhen das Risiko eines elektrischen Schlages.
- e. **Wenn Sie mit einem Gerät im Freien arbeiten, verwenden Sie nur Verlängerungskabel, die auch für den Außenbereich zugelassen sind.** Die Verwendung eines für den Außenbereich geeigneten Verlängerungskabels verringert das Risiko eines elektrischen Schlages.

3. Sicherheit von Personen

- a. **Seien Sie aufmerksam, achten Sie darauf, was Sie tun, und gehen Sie vernünftig mit einem Elektrowerkzeug um. Benutzen Sie das Elektrowerkzeug nicht, wenn Sie müde sind oder unter dem Einfluß von Drogen, Alkohol oder Medikamenten stehen.** Ein Moment der Unachtsamkeit beim Gebrauch von Elektrowerkzeugen kann zu ernsthaften Verletzungen führen.
- b. **Verwenden Sie Schutzausrüstung. Tragen Sie stets einen Augenschutz.** Schutzausrüstung wie Staubmaske, rutschfeste Sicherheitsschuhe, Schutzhelm oder Gehörschutz, je nach Art und Einsatz des Gerätes, verringert das Risiko von Verletzungen.
- c. **Vermeiden Sie eine unbeabsichtigte Inbetriebnahme. Stellen Sie sicher, daß sich der Schalter in der Aus-Stellung befindet, bevor das Gerät mit dem Netz verbunden wird.** Durch das Tragen des Elektrowerkzeugs mit dem Finger am Schalter oder durch das Verbinden eingeschalteter Elektrowerkzeuge werden Unfälle provoziert.
- d. **Entfernen Sie Einstell- oder Schraubenschlüssel, bevor Sie das Elektrowerkzeug einschalten.** Ein Schlüssel, der sich in einem sich drehenden Teil befindet, kann zu Verletzungen führen.
- e. **Nicht zu weit nach vorne strecken. Achten Sie auf einen sicheren Stand, um in jeder Arbeitsposition das Gleichgewicht zu halten.** Dadurch können Sie das Elektrowerkzeug in unerwarteten Situationen besser unter Kontrolle halten.
- f. **Tragen Sie geeignete Kleidung. Tragen Sie keine weite Kleidung oder Schmuck. Halten Sie Haare, Kleidung und Handschuhe fern von sich bewegenden Teilen.** Lockere Kleidung, Schmuck oder lange Haare können von sich bewegenden Teilen erfaßt werden.
- g. **Falls Staubabsaug- und -auffangvorrichtungen vorhanden sind, vergewissern Sie sich, daß diese angeschlossen sind und richtig verwendet werden.** Das Verwenden dieser Einrichtungen verringert Gefährdungen durch Staub.

4. Gebrauch und Pflege von Elektrowerkzeugen

- a. **Überlasten Sie das Elektrowerkzeug nicht. Verwenden Sie für Ihre Arbeit das dafür bestimmte Gerät.** Mit dem passenden Elektrowerkzeug arbeiten Sie besser und sicherer im angegebenen Leistungsbereich.
- b. **Benutzen Sie kein Elektrowerkzeug, dessen Schalter defekt ist.** Ein Elektrowerkzeug, das sich nicht mehr ein- oder ausschalten läßt, ist gefährlich und muß repariert werden.
- c. **Ziehen Sie den Stecker aus der Steckdose, bevor Sie Einstellungen vornehmen, Zubehörteile wechseln oder das Elektrowerkzeug weglegen.** Diese Vorsichtsmaßnahmen verhindern den unbeabsichtigten Start des Gerätes.
- d. **Bewahren Sie unbenutzte Elektrowerkzeuge außerhalb der Reichweite von Kindern auf. Lassen Sie Elektrowerkzeuge nicht von Personen benutzen, die damit nicht vertraut sind oder diese Anweisungen nicht gelesen haben.** Elektrowerkzeuge sind gefährlich, wenn Sie von unerfahrenen Personen benutzt werden.
- e. **Halten Sie Elektrowerkzeuge in einem einwandfreien Zustand. Kontrollieren Sie, ob bewegliche Teile falsch ausgerichtet sind oder klemmen und ob Teile gebrochen oder so beschädigt sind, daß die Funktion des Elektrowerkzeugs beeinträchtigt ist. Lassen Sie beschädigte Geräte vor dem Gebrauch reparieren.** Viele Unfälle haben ihre Ursache in schlecht gewarteten Elektrowerkzeugen.
- f. **Halten Sie Schneidgeräte scharf und sauber.** Sorgfältig gepflegte Schneidwerkzeuge mit scharfen Schneidkanten verklemmen sich weniger und sind leichter zu führen.
- g. **Verwenden Sie Gerät, Zubehör, Einsatz-Bits, usw. entsprechend diesen Anweisungen und so, wie es für diesen speziellen Elektrowerkzeugtyp vorgeschrieben ist. Berücksichtigen Sie dabei die Arbeitsbedingungen und die auszuführende Arbeit.** Der Gebrauch von Elektrowerkzeugen für andere als die vorgesehenen Anwendungen kann zu gefährlichen Situationen führen.

5. Gebrauch und Pflege von Akkugeräten

- a. **Stellen Sie sicher, dass das Gerät ausgeschaltet ist, bevor Sie den Akku einsetzen.** Das Einsetzen eines Akkus in ein eingeschaltetes Elektrowerkzeug kann zu Unfällen führen.
- b. **Laden Sie die Akkus nur in Ladegeräten auf, die vom Hersteller angegeben wurden.** Für ein Ladegerät, das nur für eine bestimmte Akkuart geeignet ist, besteht Brandgefahr, wenn es mit anderen Akkus verwendet wird.
- c. **Verwenden Sie nur die für die Elektrowerkzeug vorgesehenen Akkus.** Der Gebrauch anderer Akkus kann zu Verletzungen und Brandgefahr führen.

- d. **Halten Sie den nicht benutzten Akku fern von Büroklammern, Münzen, Schlüsseln, Nägeln, Schrauben oder anderen kleinen Metallgegenständen, die eine Überbrückung der Kontakte verursachen könnten.** Ein Kurzschluss zwischen den Akkukontakten kann Verbrennungen oder Feuer zur Folge haben.
- e. **Bei falscher Anwendung kann Flüssigkeit aus dem Akku austreten. Vermeiden Sie den Kontakt damit. Bei unbeabsichtigtem Kontakt mit Wasser abspülen. Gelangt die Flüssigkeit in die Augen, ziehen Sie außerdem ärztliche Hilfe hinzu.** Austretende Akkufflüssigkeit kann zu Hautreizungen oder Verbrennungen führen.

6. Service

- a. **Lassen Sie Ihr Elektrowerkzeug nur von qualifiziertem Fachpersonal und nur mit Original-Ersatzteilen reparieren.** Damit wird gewährleistet, daß die Sicherheit des Elektrowerkzeugs erhalten bleibt.

Zusätzliche Sicherheitsanweisungen

Achtung!

- ◆ Lesen Sie vor Betreiben jeglicher Ausrüstung sämtliche Anweisungen und Sicherheitsvorkehrungen für Ausrüstung und Sprühstoff durch.
- ◆ Alle geltenden regionalen, staatlichen und nationalen Richtlinien über Be-/Entlüftung, Feuerschutz und Betrieb müssen eingehalten werden.
- ◆ Halten Sie das Sprühgerät von Kindern fern.
- ◆ Bei längerem Gebrauch wird ein Gehörschutz empfohlen.
- ◆ Tragen Sie einen Augenschutz, um Partikel von den Augen fernzuhalten.

Gefährliche Dämpfe

Insektizide und andere Stoffe können beim Einatmen gefährlich sein und schwere Übelkeit, Ohnmacht oder Vergiftung verursachen.

- a. Falls die Gefahr besteht, daß Dämpfe eingeatmet werden können, verwenden Sie ein Atemapparat oder eine Atemmaske. Lesen Sie sämtliche dem Sprühstoff beigefügten Anweisungen durch und tragen Sie eine Atemmaske, um sicherzustellen, daß der nötige Schutz vor dem Einatmen gefährlicher Dämpfe besteht.

Zusätzliche Sicherheitsanweisungen für Sprühgeräte

Das Gerät ist mit folgenden Warnsymbolen versehen:



Setzen Sie das Gerät keinem Regen oder hoher Feuchtigkeit aus.



Lesen Sie vor der Inbetriebnahme die Anleitung.



Nicht verbrennen.



Halten Sie andere Personen fern.



Tragen Sie bei der Verwendung dieses Werkzeugs eine Schutzbrille!



Tragen Sie ein Atemapparat oder eine Atemmaske.



Verwenden Sie ausschließlich nicht brennbare Flüssigkeiten.

Achtung!

- ◆ Lesen Sie vor dem Einsatz von Pestiziden oder anderen Sprühstoffen in diesem Sprühgerät das Schild auf dem Originalbehälter genau durch und folgen Sie den Anweisungen. Einige Sprühstoffe sind gefährlich und dürfen in diesem Sprühgerät nicht verwendet werden, da sie das Gerät beschädigen und schwere Körperverletzungen und Sachschäden verursachen können.
- ◆ Vergewissern Sie sich vor jeglichem Gebrauch, daß jede Person, die dieses Sprühgerät verwendet, alle Sicherheitsanweisungen und anderen Informationen in diesem Handbuch gelesen und verstanden hat.
- ◆ Gartengeräte dürfen in gashaltigen oder explosiven Atmosphären nicht verwendet werden. Die Motoren in diesen Geräten entwickeln normalerweise Funken, die die Dämpfe entzünden können.
- ◆ Verwenden Sie keine im Handel erhältlichen Chemikalien für gewerbliche Zwecke oder den Industrieinsatz. Verwenden Sie ausschließlich wasserbasierte kundenspezifische Rasen- und Gartenchemikalien.
- ◆ Verwenden Sie keine ätzenden (alkalischen), selbsterhitzenden oder rostfördernden Flüssigkeiten (Säuren) in diesem Sprühgerät, da diese Chemikalien Metallteile korrodieren lassen oder die Schläuche und Dichtungen schwächen.
- ◆ Verwenden Sie keine heißen oder kochenden Flüssigkeiten im Sprühgerät, da diese Tank und Schlauch schwächen können.
- ◆ Lassen Sie nach Gebrauch des Sprühgeräts keine Reste bzw. Sprühstoffe im Tank zurück.
- ◆ Rauchen Sie während der Sprüharbeiten nicht, und führen sie keine Sprüharbeiten an Orten durch, an denen Funken oder Flammen vorhanden sind.
- ◆ Überprüfen Sie vor jedem Gebrauch sowohl das Innere als auch das Äußere des Sprühgeräts gründlich.

- ◆ Sowohl Tank als auch Schlauch müssen nach jedem Gebrauch gemäß Richtlinien entleert, gereinigt und wieder entleert werden.
- ◆ Verwenden Sie niemals Spritzpistolen, um brennbare Stoffe zu versprühen.
- ◆ Sprühen Sie nicht an Orten, an denen die Gefahr nicht bekannt ist.
- ◆ Verwenden Sie ausschließlich nicht brennbare Flüssigkeiten.

Sicherheit von Personen

- a. **Beim Umgang mit Chemikalien muß zusätzliche Personensicherheitsausrüstung wie angemessene Handschuhe und ein Atemapparat oder eine Atemmaske verwendet werden.** Eine für die entsprechenden Bedingungen angemessene Sicherheitsausrüstung verringert die Gefahr von Personenverletzungen.
- b. **Sprühen Sie niemals auf sich selbst, auf andere Personen oder auf Tiere. Halten Sie Ihre Hände und andere Körperteile von der Düse fern. Falls Stoffe in die Haut gespritzt werden, suchen Sie unverzüglich einen Arzt auf.** Der Sprühstoff kann die Haut durchdringen und in den Körper gelangen.
- c. **Behandeln Sie eine derartige Verletzung nicht wie eine einfache Schnittwunde.** Der Sprühstoff kann Giftstoffe in den Körper einspritzen und ernsthafte Körperverletzungen verursachen. Suchen Sie in einem solchen Fall unverzüglich einen Arzt auf.
- d. **Seien Sie sich jeglicher Gefahren bewußt, die der Sprühstoff mit sich bringt. Halten Sie sich an die Kennzeichnungen auf dem Behälter und die vom Sprühstoffhersteller mitgelieferte Information einschließlich der Notwendigkeit, Personenschutz-ausrüstung zu verwenden.** Die Anweisungen des Herstellers müssen befolgt werden, um die Gefahr eines Feuers und Personenverletzungen durch Gift, krebserregende Stoffe, usw. zu verringern.

Restrisiken

Für den Gebrauch dieses Werkzeugs verbleiben zusätzliche Restrisiken, die möglicherweise nicht in den Sicherheitswarnungen genannt werden. Diese Risiken bestehen beispielsweise bei Missbrauch oder längerem Gebrauch.

Auch bei der Einhaltung der entsprechenden Sicherheitsvorschriften und der Verwendung aller Sicherheitsgeräte bestehen weiterhin bestimmte Restrisiken. Diese werden im Folgenden aufgeführt:

- ◆ Verletzungen, die durch das Berühren von sich drehenden/bewegenden Teilen verursacht werden.
- ◆ Verletzungen, die durch das Austauschen von Teilen, Messern oder Zubehör verursacht werden.

- ◆ Verletzungen, die durch längeren Gebrauch eines Werkzeugs verursacht werden. Legen Sie bei längerem Gebrauch regelmäßige Pausen ein.
- ◆ Beeinträchtigung des Gehörs.
- ◆ Gesundheitsrisiken durch das Einatmen von Staub beim Gebrauch des Werkzeugs (beispielsweise bei Holzarbeiten, insbesondere Eiche, Buche und Pressspan).



Ausfallsicherer Trenntransformator.
Die Netzspannungsversorgung ist vom Transformatorausgang elektrisch getrennt.



Das Ladegerät schaltet automatisch ab, wenn die Umgebungstemperatur zu hoch wird. Danach ist das Ladegerät außer Funktion. Das Gerät muß vom Netz getrennt und zur Reparatur zu einem autorisierten Servicecenter gebracht werden.

Sicherheit anderer Personen

- ◆ Dieses Gerät darf nicht von Personen (einschließlich Kindern) mit eingeschränkten körperlichen, sensorischen oder geistigen Fähigkeiten verwendet werden. Auch darf es nicht von Personen verwendet werden, die keine Erfahrung mit dem Gerät oder Kenntnis darüber haben, es sei denn, sie stehen beim Gebrauch unter der Aufsicht und Anleitung einer für deren Sicherheit verantwortlichen Person.
- ◆ Kinder müssen beaufsichtigt werden, um sicherzustellen, daß sie nicht mit dem Gerät spielen.

Elektrische Sicherheit



Ihr Ladegerät ist schutzisoliert, daher ist keine Erdleitung erforderlich. Überprüfen Sie immer, ob die Netzspannung mit der Spannung auf der Datenplakette übereinstimmt.

Achtung! Tauschen Sie das Ladegerät auf keinen Fall gegen einen Netzstecker aus.

Zusätzliche Sicherheitsanweisungen für Akkus und Ladegeräte

Akkus

- ◆ Versuchen Sie auf keinen Fall, einen Akku zu öffnen.
- ◆ Setzen Sie den Akku keiner Nässe aus.
- ◆ Nicht an einem Ort aufbewahren, wo die Temperatur 40 °C überschreiten kann.
- ◆ Nur bei Umgebungstemperaturen zwischen 10 °C und 40 °C aufladen.
- ◆ Laden Sie den Akku nur mit dem im Lieferumfang enthaltenen Ladegerät.
- ◆ Befolgen Sie bei der Entsorgung von Akkus die Anweisungen im Abschnitt "Umweltschutz".

Merkmale

1. Ein-/Aus-Schalter
2. Trageriemen
3. Stab
4. Stabgriff
5. Tankdeckel
6. Saugrohr
7. Düse
8. Gerätekopf
9. Tank

Montage und Einstellung

Achtung! Stellen Sie sicher, daß das Sprühgerät ausgeschaltet ist.

Ladegeräte

- ◆ Verwenden Sie Ihr Black & Decker Ladegerät nur zum Laden von Akkus des im Lieferumfang enthaltenen Typs. Andere Akkus könnten platzen und Sach- und Personenschäden verursachen.
- ◆ Versuchen Sie nie, nicht aufladbare Akkus zu laden.
- ◆ Lassen Sie beschädigte Leitungen sofort austauschen.
- ◆ Setzen Sie das Ladegerät niemals Nässe aus.
- ◆ Öffnen Sie das Ladegerät nicht.
- ◆ Manipulieren Sie das Ladegerät nicht.

Anbringen des Trageriemens (Abb. A)

- ◆ Bringen Sie die Clips (10) des Riemens (2) an den Öffnungen (11) am Gerätekopf an.

Montage des Sprühstabs (Abb. B)

- ◆ Setzen Sie den Stab (3) in den Stabgriff (4) ein, bis er einrastet.
- ◆ Ziehen sie die Kappe (12) am Griff an.

Anbringen der Düse (Abb. C)

- ◆ Schrauben Sie die Düse (7) auf die Griffspitze (13).



Das Ladegerät ist ausschließlich für den Gebrauch in geschlossenen Räumen vorgesehen.



Lesen Sie vor dem Gebrauch sorgfältig die Bedienungsanleitung.

Einstellen der Konusdüse

- ◆ Drehen Sie die Düse (7) im Uhrzeigersinn, um einen schmalen Sprühnebel zu bilden.
- ◆ Drehen Sie die Düse (7) gegen den Uhrzeigersinn, um einen breiten Sprühnebel zu bilden.

Entfernen und Anbringen des Gerätekopfs

(Abb. D & E)

- ◆ Schrauben Sie den Tankdeckel (5) ab (Abb. D1).
- ◆ Entfernen Sie das Saugrohr (6) aus dem Tank (9).
- ◆ Lösen Sie die Verriegelung (14) durch Druck nach unten (Abb. E).
- ◆ Heben Sie die Rückseite des Gerätekopfs (8) an und bewegen Sie ihn nach vorne (Abb. D2).
- ◆ Ziehen Sie den Gerätekopf (8) ab.
- ◆ Um den Gerätekopf (8) anzubringen, richten Sie die Schlitzle (15) im Kopf mit den Zungen (16) oben am Tank (9) aus (Abb. D2 & D3).
- ◆ Bewegen Sie den Gerätekopf (8) zurück, bis er in seiner Lage einrastet.
- ◆ Bringen Sie die Befestigung (17) über der Lasche (18) an (Abb. E).
- ◆ Schieben Sie den Vorsprung (14) nach oben, bis er in seiner Lage einrastet.
- ◆ Setzen Sie das Saugrohr (6) in den Tank.
- ◆ Bringen Sie den Tankdeckel (5) wieder an und ziehen Sie ihn an.

Gebrauch

Achtung!

- ◆ Verwenden Sie Schutzausrüstung.
- ◆ Sprühen Sie nur in gut be-/entlüfteten Bereichen.
- ◆ Verwenden Sie nur die empfohlenen Chemikalien laut Beschreibung in den Sicherheitsanweisungen.

Laden des Akkus (Abb. F)

Der Akku ist zu laden, bevor Sie das Akku-Gerät zum ersten Mal benutzen sowie wenn die Leistung des Akku-Geräts spürbar nachläßt. Wenn der Akku zum ersten Mal oder nach längerer Lagerung geladen wird, wird er nur 80% der Nennkapazität erreichen. Erst nach mehreren Lade- und Entladezyklen wird der Akku die volle Kapazität erreichen. Während des Ladens kann sich der Akku erwärmen. Dies deutet nicht auf irgendein Problem hin.

Achtung! Laden Sie den Akku nicht bei einer Umgebungstemperatur unter 10 °C oder über 40 °C.

Empfohlene Ladetemperatur: zirka 24 °C.

- ◆ Ziehen Sie die Steckerabdeckung (19) ab.
- ◆ Stecken Sie den Ladegerätstecker (20) in die Ladegerätebuchse (21) hinten am Gerät.
- ◆ Stecken Sie das Ladegerät in die Steckdose.
- ◆ Schalten Sie es am Hauptschalter ein.
- ◆ Lassen Sie das Gerät 14-18 Stunden am Ladegerät angeschlossen.

Während des Ladevorgangs kann das Ladegerät warm werden. Dies ist normal und kein Anzeichen für einen Fehler.

Das Gerät kann ständig am Stromnetz angeschlossen bleiben.

- ◆ Vor der Verwendung des Geräts ziehen Sie das Ladegerät aus der Steckdose und trennen Sie das Gerät vom Ladegerät.
- ◆ Bringen Sie die Steckerabdeckung (19) wieder an.

Achtung! Das Gerät kann nicht betrieben werden, während es am Ladegerät angeschlossen ist.

Füllen des Tanks (Abb. D1)

- ◆ Schrauben Sie den Tankdeckel (5) ab.
- ◆ Entfernen Sie das Saugrohr (6) aus dem Tank (9).
- ◆ Füllen Sie den Tank mit einer geeigneten Flüssigkeit.

Achtung! Verwenden Sie nur die entsprechenden Chemikalien laut Beschreibung in den Sicherheitsanweisungen.

Ein- und Ausschalten

- ◆ Drücken Sie zum Einschalten auf den Knopf (1).
- ◆ Lassen Sie zum Ausschalten den Knopf (1) los.

Achtung!

- ◆ Sprühen Sie stets in Windrichtung und von Personen und Tieren wegweisend.
- ◆ Verwenden Sie ausschließlich die vom Hersteller spezifizierten Düsen.
- ◆ Falls die Düse verstopft, schalten Sie das Gerät sofort ab.

Reinigung und Wartung

Achtung!

- ◆ Bewahren Sie keine Chemikalien im Gerät auf.
- ◆ Verwenden Sie keine aggressiven oder scheuernden Reinigungsmittel.
- ◆ Lesen und befolgen Sie stets die Anweisungen auf dem verwendeten Reinigungsmittel.
- ◆ Entsorgen Sie die verunreinigte Flüssigkeit im Einklang mit den regionalen Bestimmungen.

Reinigung des Tanks

Das Gerät muß nach dem Gebrauch gereinigt werden.

- ◆ Entfernen Sie den Gerätekopf (8).
- ◆ Ist noch Flüssigkeit vorhanden, die Flüssigkeit in den Originalbehälter zurückfüllen oder in einem angemessenen Behälter aufbewahren.
- ◆ Den Tank (9) zu 1/3 seines Fassungsvermögens mit sauberem Wasser und Seifenlösung füllen.

Achtung! Verwenden Sie zur Reinigung keine brennbaren Flüssigkeiten.

- ◆ Bringen Sie den Gerätekopf wieder an (8).
- ◆ Versprühen Sie den Tankinhalt, bis der Tank (9) leer ist.
- ◆ Wiederholen Sie die vorherigen Anweisungen sooft wie nötig.

Reinigung des Filters (Abb. D1)

Wird der Flüssigkeitsausstoß schwächer, so kann der Filter verstopft sein. Um den Filter zu reinigen, folgendermaßen vorgehen:

- ◆ Schrauben Sie den Tankdeckel (5) ab.
- ◆ Entfernen Sie das Saugrohr (6) aus dem Tank (9).
- ◆ Reinigen Sie den Filter mit warmem Seifenwasser.

Aufbewahrung (Abb. G & H)

Achtung! Nicht an Orten aufbewahren, an denen die Temperatur 0 °C unterschreitet.

- ◆ Alle Geräteteile reinigen und trocknen, wenn das Gerät länger als einen Tag nicht verwendet wird.
- ◆ Befestigen Sie den Stabgriff (4) an den Seitenclips (22) (Abb. G).
- ◆ Bringen Sie den Schlauch (23) mit der Klettbefestigung (24) am Gerätekopf (8) an (Abb. H).

Zubehör

Die Leistung Ihres Geräts hängt vom verwendeten Zubehör ab. Black & Decker und Piranha Zubehör ist nach hohen Qualitätsnormen gefertigt und dafür ausgelegt, die Leistung Ihres Geräts zu steigern. Durch Verwendung dieses Zubehörs erzielen Sie die größtmögliche Leistung Ihres Geräts.

Störungsbehebung

Falls das Gerät nicht einwandfrei arbeitet, überprüfen Sie Folgendes:

Störung	Mögliche Ursache	Abhilfe
Der Flüssigkeitsausstoß wird schwächer oder es wird überhaupt keine Flüssigkeit abgegeben.	Der Filter ist verstopft.	Den Filter am Ende des Saugrohrs überprüfen. Reinigen Sie den Filter mit warmem Seifenwasser.
	Der Akku ist schwach.	Laden Sie den Akku auf.
	Das Saugrohr befindet sich nicht ganz unten im Tank.	Das Saugrohr ganz nach unten schieben.
Das Gerät startet nicht.	Der Akku ist nicht aufgeladen.	Die Akkuladung prüfen.

Umweltschutz



Getrennte Entsorgung. Dieses Produkt darf nicht über den normalen Hausmüll entsorgt werden.

Sollte Ihr Black & Decker Produkt eines Tages erneuert werden müssen, oder falls Sie es nicht weiter verwenden wollen, so darf es nicht über den Hausmüll entsorgt werden. Stellen Sie dieses Produkt zur getrennten Entsorgung bereit.



Durch die getrennte Entsorgung gebrauchter Produkte und Verpackungen können die Materialien recycelt und wiederverwertet werden. Die Wiederverwertung recycelter Materialien schont die Umwelt und verringert die Nachfrage nach Rohstoffen.

Die regionalen Bestimmungen schreiben unter Umständen die getrennte Entsorgung elektrischer Produkte aus dem Haushalt an Sammelstellen oder seitens des Händlers vor, bei dem Sie das neue Produkt erworben haben.

Black & Decker nimmt Ihre ausgedienten Black & Decker Geräte gern zurück und sorgt für eine umweltfreundliche Entsorgung und Wiederverwertung. Um diesen Dienst zu nutzen, schicken Sie bitte Ihr Produkt zu einer Vertragswerkstatt. Hier wird es dann auf unsere Kosten gesammelt.

Die Adresse der zuständigen Black & Decker Vertretung steht in diesem Handbuch, darüber läßt sich die nächstgelegene Vertragswerkstatt ermitteln. Außerdem ist eine Liste der Vertragswerkstätten und aller Kundendienststellen von Black & Decker sowie der zuständigen Ansprechpartner im Internet zu finden unter: www.2helpU.com

Akku (Abb. I & J)



Black & Decker Akkus lassen sich sehr häufig wiederaufladen. Falls Sie das Gerät selbst entsorgen möchten, ist der Akku wie nachfolgend beschrieben zu entfernen und gemäß den örtlichen Vorschriften zu entsorgen.

Achtung!

- ◆ Trennen Sie das Gerät vom Stromnetz, bevor Sie den Akku entfernen.
- ◆ Vermeiden Sie ein Kurzschließen der Akkuanschlüsse.
- ◆ Den Akku nicht verbrennen, da dies zu einer Explosion führen kann.
- ◆ Der Akku sollte entladen werden, indem das Gerät solange betrieben wird, bis der Motor stehen bleibt.
- ◆ Entfernen Sie den Gerätekopf (8).
- ◆ Entfernen Sie die Schrauben (25) aus der Unterseite (Abb. I).
- ◆ Entfernen Sie die Schrauben (26) aus der Seite.
- ◆ Öffnen Sie das Gehäuse.
- ◆ Entfernen Sie beide Seiten des Gehäuses (27).
- ◆ Entfernen Sie den Batteriedeckel (28) (Abb. J).

- ◆ Ziehen Sie den Akku aus dem Gerät heraus.
- ◆ Ziehen Sie die Anschlußclips (29) ab.
- ◆ Legen Sie den Akku in eine geeignete Verpackung, um sicherzustellen, daß die Akkuan Anschlüsse nicht kurzgeschlossen werden können.
- ◆ Zur Wiederverwertung oder umweltverträglichen Entsorgung ist der Akku bei Ihrem Händler oder einer kommunalen Sammelstelle abzugeben. Hier werden die Akkus recycelt oder umweltgerecht entsorgt.

- ◆ wenn ein unbefugter Reparaturversuch durch anderes Personal als das einer Vertragswerkstatt oder des Black & Decker-Kundendienstes unternommen wurde.

Zur Inanspruchnahme dieser Garantie ist dem Verkäufer bzw. der Vertragswerkstatt ein Kaufnachweis vorzulegen. Der Kaufnachweis muß Kaufdatum und Gerätetyp bescheinigen. Die Adresse des zuständigen Büros von Black & Decker steht in dieser Anleitung, darüber läßt sich die nächstgelegene Vertragswerkstatt ermitteln. Außerdem ist eine Liste der Vertragswerkstätten und aller Kundendienststellen von Black & Decker sowie der zuständigen Ansprechpartner im Internet zu finden unter: www.2helpU.com

Bitte besuchen Sie unsere Webseite www.blackanddecker.de, um Ihr neues Black & Decker Produkt zu registrieren und über neue Produkte und Sonderangebote aktuell informiert zu werden. Weitere Informationen über die Marke Black & Decker und unsere Produkte finden Sie unter www.blackanddecker.de

Technische Daten

GSC500 H2	
Spannung	V _{DC} 14,4
Fassungsvermögen	l 4,7
Gewicht	kg 2

Ladegerät

VA170020D	
Netzspannung	V _{AC} 230
Ausgangsspannung	V _{AC} 17
Amperezahl	mA 200
Ladezeit (zirka)	h 14-18
Gewicht	kg 0,2

Höhe des Schalldrucks gemäß EN 60745:

Schalldruck (L_{pa}) 76,5 dB(A), Unsicherheitsfaktor (K) 3 dB(A)
 Schallleistung (L_{wa}) 87,5 dB(A), Unsicherheitsfaktor (K) 3 dB(A)

Gesamtvibrationswerte (Triax-Vektorsumme) gemäß EN 60745:

Gewichtete Hand-/Arm-vibrationen 0,26 m/s²

Garantie

Black & Decker vertraut auf die Qualität der eigenen Geräte und bietet dem Käufer eine außergewöhnliche Garantie. Diese Garantiezusage versteht sich unbeschadet der gesetzlichen Gewährleistungsansprüche und schränkt diese keinesfalls ein. Sie gilt in sämtlichen Mitgliedsstaaten der Europäischen Union und der Europäischen Freihandelszone EFTA.

Tritt innerhalb von 24 Monaten ab Kaufdatum an einem Gerät von Black & Decker ein auf Material- oder Verarbeitungsfehler zurückzuführender Mangel auf, garantiert Black & Decker den Austausch defekter Teile, die Reparatur von Geräten mit üblichem Verschleiß bzw. den Austausch eines mangelhaften Geräts, ohne den Kunden dabei mehr als unbedingt nötig in Anspruch zu nehmen, allerdings vorbehaltlich folgender Ausnahmen:

- ◆ wenn das Gerät gewerblich, beruflich oder im Verleihgeschäft benutzt wurde;
- ◆ wenn das Gerät mißbräuchlich verwendet oder mit mangelnder Sorgfalt behandelt wurde;
- ◆ wenn das Gerät durch irgendwelche Fremdeinwirkung beschädigt wurde;

Utilisation prévue

Votre pulvérisateur Black & Decker a été conçu pour pulvériser toute une gamme de produits chimiques à base d'eau pour gazons et jardins, comme les fongicides, insecticides, désherbant et fertilisants. Ce produit a été conçu uniquement pour une utilisation domestique.

Consignes générales de sécurité

Attention !

- ◆ Lisez toutes les instructions des fiches toxicologiques et des étiquettes du conteneur fournis avec les produits chimiques.
- ◆ Lisez toutes les consignes de sécurité comportant le symbole M, les fiches toxicologiques, les étiquettes fournis avec les produits chimiques et toute autre instruction.
- ◆ Lisez toutes les instructions. Le non-respect des instructions indiquées ci-dessous peut entraîner une électrocution, un incendie ou de graves blessures. La notion d'« outil électrique » mentionnée par la suite se rapporte à des outils électriques raccordés au secteur (avec câble de raccordement) ou fonctionnant sur batterie (sans fil).

GARDEZ PRÉCIEUSEMENT CES CONSIGNES DE SECURITE.

1. Sécurité de la zone de travail

- a. **Maintenez la zone de travail propre et bien éclairée.**
Un lieu de travail en désordre ou mal éclairé augmente le risque d'accidents.
- b. **N'utilisez pas les outils électriques dans un environnement présentant des risques d'explosion ni en présence de liquides, gaz ou poussières inflammables.** Les outils électriques génèrent des étincelles risquant d'enflammer les poussières ou les vapeurs.
- c. **Tenez les enfants et autres personnes éloignés durant l'utilisation de l'outil électrique.** Une distraction peut vous faire perdre le contrôle.

2. Sécurité électrique

- a. **La fiche de secteur de l'outil électrique doit convenir à la prise de courant. Ne modifiez en aucun cas la fiche. N'utilisez pas de fiches d'adaptateur avec des outils électriques ayant une prise de terre.** Les fiches non modifiées et les prises de courant appropriées réduisent le risque d'électrocution.
- b. **Évitez le contact physique avec des surfaces mises à la terre telles que tuyaux, radiateurs, fours et réfrigérateurs.** Il y a un risque élevé d'électrocution si votre corps est relié à la terre.
- c. **N'exposez pas l'outils électriques à la pluie ni à l'humidité.** La pénétration d'eau dans un outil électrique augmente le risque d'électrocution.

- d. **Préservez le cordon d'alimentation. N'utilisez pas le câble à d'autres fins que celles prévues, notamment pour porter l'outil électrique, l'accrocher voire le débrancher de la prise de courant. Maintenez le cordon éloigné des sources de chaleur, de l'huile, des bords tranchants et des parties mobiles de l'appareil.** Un cordon endommagé ou enchevêtré augmente le risque d'électrocution.
- e. **Si vous utilisez l'outil électrique à l'extérieur, utilisez une rallonge homologuée pour utilisation à l'air libre.** L'utilisation d'une rallonge électrique homologuée pour les applications extérieures réduit le risque d'électrocution.

3. Sécurité personnelle

- a. **Restez vigilant, surveillez ce que vous faites. Faites preuve de bon sens quand vous utilisez l'outil électrique. N'utilisez pas l'outil électrique lorsque vous êtes fatigué ou après avoir consommé de l'alcool, des drogues voire des médicaments.** Un moment d'inattention lors de l'utilisation de l'outil électrique peut entraîner de graves blessures.
- b. **Portez des équipements de protection. Portez toujours une protection pour les yeux.** Le port d'équipements de protection personnelle tels que masque anti-poussières, chaussures de sécurité antidérapantes, casque ou protection auditive, selon le travail à effectuer, réduit le risque de blessures.
- c. **Évitez une mise en route accidentelle. Avant de brancher l'outil, vérifiez que l'interrupteur est sur la position arrêt.** Le transport ou le branchement d'outils électriques avec l'interrupteur en position marche est une invite à l'accident.
- d. **Enlevez tout outil électrique ou clé de réglage avant de mettre l'outil électrique en marche.** Une clé ou un outil électrique se trouvant sur une partie en rotation peut causer des blessures.
- e. **Adoptez une position confortable. Adoptez une position stable et gardez votre équilibre à tout moment.** Vous contrôlerez mieux l'outil électrique dans des situations inattendues.
- f. **Portez des vêtements appropriés. Ne portez pas de vêtements flottants ou de bijoux. N'approchez pas les cheveux, vêtements ou gants des pièces mobiles.** Les vêtements amples, bijoux ou cheveux longs peuvent être attrapés dans les pièces mobiles.
- g. **Si des dispositifs servant à aspirer ou à recueillir les poussières doivent être utilisés, vérifiez qu'ils sont correctement raccordés et utilisés.** L'utilisation de tels dispositifs réduit les dangers dus aux poussières.

4. Utilisation des outils électriques et précautions

- a. **Ne surchargez pas l'outil électrique. Utilisez l'outil électrique approprié pour le travail à effectuer.** Avec l'outil électrique approprié, vous travaillerez mieux et avec plus de sécurité à la vitesse pour laquelle il a été conçu.
- b. **N'utilisez pas un outil électrique dont l'interrupteur est défectueux.** Un outil électrique qui ne peut plus être mis en ou hors fonctionnement est dangereux et doit être réparé.
- c. **Retirez la fiche de la prise de courant avant d'effectuer des réglages sur l'outil électrique, de changer les accessoires ou de ranger l'outil électrique.** Cette mesure de précaution empêche une mise en marche par mégarde.
- d. **Rangez les outils électriques hors de portée des enfants. Ne laissez pas les personnes n'étant pas familiarisées avec l'outil électrique ou n'ayant pas lu ces instructions l'utiliser.** Les outils électriques sont dangereux lorsqu'ils sont utilisés par des personnes non initiées.
- e. **Prenez soin des outils électriques. Vérifiez que les parties en mouvement fonctionnent correctement et qu'elles ne sont pas coincées ; vérifiez qu'il n'y a pas de pièces cassées ou endommagées susceptibles de nuire au bon fonctionnement de l'outil électrique. S'il est endommagé, faites réparer l'outil électrique avant de l'utiliser.** De nombreux accidents sont dus à des outils électriques mal entretenus.
- f. **Maintenez les outils de coupe aiguisés et propres.** Des outils soigneusement entretenus avec des bords tranchants bien aiguisés se coincent moins souvent et peuvent être guidés plus facilement.
- g. **Utilisez les outils électriques, les accessoires, les outils à monter etc. conformément à ces instructions et aux prescriptions en vigueur pour ce type d'outils électriques. Tenez compte également des conditions de travail et du travail à effectuer.** L'utilisation des outils électriques à d'autres fins que celles prévues peut entraîner des situations dangereuses.

5. Utilisation des outils à batterie et précautions

- a. **Assurez-vous que l'interrupteur est effectivement en position d'arrêt avant d'introduire le pack-batteries.** L'introduction de la batterie dans l'outil électrique alors que son interrupteur est sur la position marche est susceptible de provoquer un accident.
- b. **Rechargez uniquement avec le chargeur spécifié par le fabricant.** Un chargeur prévu pour un type précis de pack-batterie présente un risque d'incendie s'il est utilisé avec un autre type.
- c. **Utilisez les outils électriques uniquement avec les batteries spécifiquement conçues pour eux.** L'utilisation d'autres pack-batteries peut comporter un risque de blessures ou d'incendie.

- d. **Quand vous ne l'utilisez pas, rangez la batterie loin d'autres objets métalliques tels que trombones, pièces, clous, vis ou autres pouvant créer une connexion entre deux bornes.** Court-circuiter les bornes d'une batterie peut provoquer des brûlures ou un incendie.
- e. **Dans des conditions inappropriées, la batterie peut rejeter du liquide. Évitez tout contact. En cas de contact accidentel, rincez à l'eau. Si le liquide entre en contact avec les yeux, consultez un médecin.**

Le liquide rejeté par la batterie peut occasionner une irritation cutanée ou des brûlures.

6. Réparations

- a. **Faites réparer votre outil électrique uniquement par du personnel qualifié et seulement avec des pièces de rechange d'origine.** Cela garantira le maintien de la sécurité de votre outil électrique.

Consignes de sécurité supplémentaires

Attention !

- ◆ Lisez toutes les instructions et les consignes de sécurité pour l'équipement et les matières à pulvériser avant d'utiliser tout équipement.
- ◆ Respectez l'ensemble des réglementations locales, d'état et nationales régissant la ventilation, la prévention des incendies et l'utilisation.
- ◆ Tenez le pulvérisateur à l'écart des enfants.
- ◆ Une protection auditive est recommandée pour un usage prolongé.
- ◆ Utilisez des lunettes de protection pour éviter les particules dans les yeux.

Vapeurs dangereuses

Les insecticides et autres matières peuvent être nocifs en cas d'inhalation, causant nausées, évanouissements ou empoisonnements.

- a. Utilisez un respirateur ou un masque en cas de risque d'inhalation des vapeurs. Lisez toutes les instructions fournies avec la matière pulvérisée et le masque pour garantir qu'ils présenteront la protection nécessaire contre les inhalations de vapeurs nocives.

Instructions de sécurité supplémentaires pour pulvérisateurs

Les symboles de prévention suivants sont indiqués sur l'appareil :



N'exposez pas l'appareil à la pluie ou une humidité élevée.



Lisez le manuel avant l'emploi.



Ne le brûlez pas.



Éloignez les personnes se trouvant à proximité.



Portez des lunettes de sécurité lorsque vous utilisez cet outil.



Portez un respirateur ou un masque.



Utilisez uniquement des liquides non inflammables.

Attention !

- ◆ Avant d'utiliser tout pesticide ou autres matières à pulvériser avec ce pulvérisateur, lisez l'étiquette du conteneur d'origine avec soin et suivez ses indications. Certaines matières à pulvériser sont dangereuses et ne doivent pas être utilisées avec ce pulvérisateur car elles peuvent l'endommager et causer des blessures ou des dégâts graves.
- ◆ Avant toute utilisation, assurez-vous que quiconque utilisant ce pulvérisateur a lu et comprend toutes les instructions de sécurité et autres informations contenues dans ce manuel.
- ◆ N'utilisez pas d'appareils de jardinage dans des atmosphères gazeuses ou explosives. Les moteurs de ces appareils émettent normalement des étincelles, qui peuvent allumer les fumées.
- ◆ N'utilisez pas de produits chimiques de qualité commerciale ou à des fins commerciales voire industrielles. Utilisez uniquement des produits chimiques à base d'eau de qualité domestique pour gazons et jardins.
- ◆ N'utilisez pas de liquides caustiques (alcalins) autochauffants ou corrosifs dans ce pulvérisateur car ils peuvent corroder les pièces métalliques ou affaiblir les flexibles et joints.
- ◆ N'utilisez pas de liquides chauds ou bouillants dans ce pulvérisateur car ils peuvent affaiblir le réservoir et le flexible.
- ◆ Ne laissez pas de résidu ou de matière à pulvériser dans le réservoir après usage du pulvérisateur.
- ◆ Ne fumez pas en pulvérisant et ne pulvérisez pas à proximité d'une flamme.
- ◆ Inspectez avec attention l'intérieur et l'extérieur du pulvérisateur avant chaque usage.
- ◆ Videz, nettoyez et purgez le réservoir et le flexible après chaque usage selon les instructions.
- ◆ N'utilisez pas de pistolets pour pulvériser des matières inflammables.
- ◆ Ne pulvérisez aucune matière si le risque n'est pas connu.
- ◆ Utilisez uniquement des liquides non inflammables.

Sécurité personnelle

- a. **Des équipements de sécurité personnelle additionnels - comme des gants adaptés et un respirateur ou un masque - doivent être utilisés pour manipuler des produits chimiques.** Des équipements de sécurité utilisés dans des conditions appropriées peuvent réduire les risques de blessures.
- b. **Ne vous pulvérisez pas dessus, ni sur une autre personne ou un animal. Écartez les mains et autres parties du corps de la décharge. En cas d'injection sous la peau, faites immédiatement appel à un médecin.** La matière pulvérisée peut percer la peau et être injectée dans le corps.
- c. **Ne traitez pas l'injection comme une simple coupure.** La pulvérisation peut injecter des toxines dans le corps et causer des blessures graves. En cas d'injection, faites immédiatement appel à un médecin.
- d. **Faites attention à tout danger présenté par la matière pulvérisée. Consultez les marquages sur le conteneur ou les informations fournies par le fabricant de la matière à pulvériser, notamment les impératifs pour l'usage d'équipement de protection personnelle.** Les instructions du fabricant doivent être respectées pour réduire les risques d'incendie et de blessures liés aux toxines, carcinogènes, etc.

Risques résiduels

L'utilisation d'un outil non mentionné dans les consignes de sécurité données peut entraîner des risques résiduels supplémentaires. Ces risques peuvent survenir si l'outil est mal utilisé, si l'utilisation est prolongée, etc.

Malgré l'application des normes de sécurité correspondantes et la présence de dispositifs de sécurité, les risques résiduels suivants ne peuvent être évités. Ceci comprend :

- ◆ Les blessures dues au contact avec une pièce mobile / en rotation.
- ◆ Les blessures causées en changeant des pièces, lames ou accessoires.
- ◆ Les blessures dues à l'utilisation prolongée d'un outil. Une utilisation prolongée de l'outil nécessite des pauses régulières.
- ◆ Déficience auditive.
- ◆ Risques pour la santé causés par l'inhalation de poussières produites pendant l'utilisation de l'outil (exemple : travail avec du bois, surtout le chêne, le hêtre et les panneaux en MDF).

Sécurité des tiers

- ◆ Cet appareil n'est pas destiné à être utilisé par des personnes (notamment des enfants) présentant des capacités physiques, sensorielles ou mentales limitées voire dépourvues de connaissance et d'expérience, sauf si elles sont supervisées ou ont reçu des instructions pour l'usage de l'appareil par une personne responsable de leur sécurité.
- ◆ Les enfants ne doivent pas jouer avec l'appareil.

Instructions de sécurité supplémentaires pour les batteries et chargeurs

Batteries

- ◆ Ne tentez jamais d'ouvrir pour quelque raison que ce soit.
- ◆ N'exposez pas la batterie à l'humidité.
- ◆ Ne rangez pas dans des endroits dont la température peut dépasser 40 °C.
- ◆ Chargez uniquement à une température ambiante entre 10 °C et 40 °C.
- ◆ Chargez uniquement en utilisant le chargeur fourni avec l'outil.
- ◆ Pour la mise au rebut des batteries, suivez les instructions de la section « Protection de l'environnement ».

Chargeurs

- ◆ Utilisez uniquement votre chargeur Black & Decker pour charger la batterie fournie avec votre outil ou de même type et modèle. D'autres batteries pourraient exploser et causer des dommages ou blessures.
- ◆ Ne tentez jamais de charger des batteries non rechargeables.
- ◆ Remplacez immédiatement les fils électriques défectueux.
- ◆ Ne mettez pas le chargeur en contact avec de l'eau.
- ◆ N'ouvrez pas le chargeur.
- ◆ Ne testez pas le chargeur.



Le chargeur a été conçu pour être utilisé uniquement à l'intérieur.



Lisez le manuel d'instruction avant utilisation.



Transformateur à sécurité intrinsèque. L'alimentation secteur est électriquement séparée de la sortie du transformateur.



Le chargeur s'arrête automatiquement si la température ambiante est trop élevée. Par conséquent, le chargeur devient inutilisable. L'unité doit être débranchée du secteur puis apportée à un centre d'entretien agréé pour réparation.

Sécurité électrique



Votre chargeur est doublement isolé ; par conséquent, aucun câble de masse n'est nécessaire. Vérifiez toujours que la tension du secteur correspond à la tension indiquée sur la plaque d'identification.

Attention ! Ne tentez jamais de remplacer le chargeur par une prise secteur normale.

Caractéristiques

1. Interrupteur marche/arrêt
2. Sangle de transport
3. Baguette
4. Poignée de baguette
5. Bouchon de réservoir
6. Tube d'aspiration
7. Buse
8. Tête d'alimentation
9. Réservoir

Montage et réglage

Attention ! Assurez-vous que le pulvérisateur est éteint.

Fixation de la sangle de transport (fig. A)

- ◆ Fixez les clips (10) de la sangle (2) sur les ouvertures (11) de la tête d'alimentation.

Assemblage de la poignée de baguette (fig. B)

- ◆ Insérez la baguette (3) dans la poignée de la baguette (4) jusqu'à ce qu'elle s'enclenche.
- ◆ Serrez le bouchon (12) sur la poignée.

Mise en place de la buse (fig. C)

- ◆ Vissez la buse (7) sur l'embout de la poignée (13).

Réglage de la buse conique

- ◆ Vissez la buse (7) dans le sens horaire pour les applications de brume étroite.
- ◆ Vissez la buse (7) dans le sens anti-horaire pour les applications de brume large.

Retrait et remplacement de la tête d'alimentation (fig. D & E)

- ◆ Dévissez le bouchon du réservoir (5) (fig. D1).
- ◆ Retirez le tube d'aspiration (6) du réservoir (9).
- ◆ Libérez le verrou (14) en l'enfonçant (fig. E).
- ◆ Levez l'arrière de la tête d'alimentation (8) et avancez-la (fig. D2).
- ◆ Tirez sur la tête d'alimentation (8) pour l'enlever.

- ◆ Pour fixer la tête d'alimentation (8), alignez ses fentes (15) avec les pattes (16) sur le dessus du réservoir (9) (fig. D2 & D3).
- ◆ Reculez la tête d'alimentation (8) pour l'enclencher.
- ◆ Montez le support (17) sur la fixation du verrou (18) (fig. E).
- ◆ Poussez la pièce d'appui (14) vers le haut pour l'enclencher.
- ◆ Placez le tube d'aspiration (6) dans le réservoir.
- ◆ Remettez le bouchon du réservoir (5) et serrez-le.

Utilisation

Attention !

- ◆ Portez des équipements de protection.
- ◆ Pulvérisiez uniquement dans des endroits suffisamment ventilés.
- ◆ Utilisez uniquement les produits chimiques décrits dans les consignes de sécurité.

Chargement de la batterie (fig. F)

La batterie a besoin d'être chargée avant la première utilisation et à chaque fois qu'elle ne produit pas une puissance suffisante pour des travaux facilement effectués auparavant. Lorsque vous chargez la batterie pour la première fois ou suite à une inutilisation prolongée, le chargement ne se fera qu'à 80%. Après plusieurs cycles de chargement et de déchargement, la batterie atteindra sa capacité totale. La batterie peut chauffer pendant le chargement ; cela est normal et n'indique pas de problème particulier.

Attention ! Ne chargez pas la batterie à une température ambiante inférieure à 10 °C ou supérieure à 40 °C.

Température de chargement recommandée : environ 24 °C.

- ◆ Tirez sur le cache de prise (19).
- ◆ Insérez la prise du chargeur (20) dans le connecteur du chargeur (21) à l'arrière de l'appareil.
- ◆ Branchez le chargeur.
- ◆ Mettez sous tension.
- ◆ Laissez l'appareil branché sur le chargeur pendant 14-18 heures.

Le chargeur peut chauffer pendant la charge. C'est normal et n'indique pas une défaillance. L'appareil peut rester branché indéfiniment au chargeur.

- ◆ Avant d'utiliser l'appareil, débranchez le chargeur et déconnectez l'appareil du chargeur.
- ◆ Remettez le cache de prise (19).

Attention ! Veillez à ne pas utiliser l'appareil lorsqu'il est branché au chargeur.

Remplissage du réservoir (fig. D1)

- ◆ Dévissez le bouchon du réservoir (5).
- ◆ Retirez le tube d'aspiration (6) du réservoir (9).
- ◆ Remplissez le réservoir d'un liquide approprié.

Attention ! Utilisez uniquement les produits chimiques appropriés décrits dans les consignes de sécurité.

Mise en marche et arrêt

- ◆ Pour mettre en marche, appuyez sur le bouton (1).
- ◆ Pour arrêter, relâchez le bouton (1).

Attention !

- ◆ Pulvérisiez toujours dans le sens du vent, à l'écart des personnes et des animaux.
- ◆ Utilisez exclusivement les buses spécifiées par le fabricant.
- ◆ Si les buses se bouchent, arrêtez immédiatement l'appareil.

Entretien et nettoyage

Attention !

- ◆ Ne stockez pas de produits chimiques dans l'appareil.
- ◆ N'utilisez pas de produits de nettoyage agressifs ou abrasifs.
- ◆ Il convient de toujours lire les instructions du fabricant du nettoyeur que vous allez employer.
- ◆ Jetez le liquide contaminé conformément aux réglementations locales.

Nettoyage du réservoir

L'appareil doit être nettoyé après usage.

- ◆ Retirez la tête d'alimentation (8).
- ◆ S'il reste du liquide, purgez-le dans son conteneur d'origine ou dans un conteneur adapté.
- ◆ Remplissez le réservoir (9) à 1/3 de son volume avec de l'eau propre et du savon.

Attention ! N'utilisez pas de liquides inflammables pour le nettoyage.

- ◆ Remplacez la tête d'alimentation (8).
- ◆ Pulvérisez le contenu du réservoir (9) pour le vider.
- ◆ Répétez cette procédure autant de fois que nécessaire.

Nettoyage du filtre (fig. D1)

Si le flux de liquide diminue, le filtre peut être bouché.

Nettoyez le filtre comme suit :

- ◆ Dévissez le bouchon du réservoir (5).
- ◆ Retirez le tube d'aspiration (6) du réservoir (9).
- ◆ Lavez le filtre dans de l'eau tiède et savonneuse.

Rangement (fig. G & H)

Attention ! Ne rangez pas dans des endroits où la température est inférieure à 0 °C.

- ◆ Nettoyez et séchez toutes les pièces de l'appareil s'il n'est pas utilisé pendant plusieurs jours.
- ◆ Fixez la poignée de baguette (4) sur les clips latéraux (22) (fig. G).
- ◆ Montez le flexible (23) avec la fixation Velcro (24) sur la tête d'alimentation (8) (fig. H)

Accessoires

Les performances de votre outil dépendent de l'accessoire que vous utilisez. Les accessoires Black & Decker et Piranha sont conçus selon les normes de haute qualité pour améliorer les performances de votre outil. En utilisant ces accessoires, vous obtiendrez les meilleurs résultats de votre outil.

Dépannage

Si l'outil ne fonctionne pas correctement, contrôlez les points suivants :

Erreur	Cause possible	Action
Le flux de liquide diminue ou cesse.	Filtre bouché.	Vérifiez le filtre au bout du tube d'aspiration. Lavez le filtre dans de l'eau tiède et savonneuse.
	Batterie faible.	Rechargez la batterie.
L'unité ne démarre pas	Le tube d'aspiration n'atteint pas le fond du réservoir.	Enfoncez le tube d'aspiration à fond.
	Batterie non chargée.	Contrôlez les besoins de chargement de la batterie.

Protection de l'environnement



Collecte séparée. Ce produit ne doit pas être jeté avec les déchets domestiques normaux.

Si vous décidez de remplacer ce produit Black & Decker, ou si vous n'en avez plus l'utilité, ne le jetez pas avec vos déchets domestiques. Rendez-le disponible pour une collecte séparée.



La collecte séparée des produits et emballages usés permet le recyclage des articles afin de les utiliser à nouveau. Le fait d'utiliser à nouveau des produits recyclés permet d'éviter la pollution environnementale et de réduire la demande de matières premières.

Les réglementations locales peuvent permettre la collecte séparée des produits électriques du foyer, dans des déchetteries municipales ou auprès du revendeur vous ayant vendu votre nouveau produit.

Black & Decker fournit un dispositif permettant de collecter et de recycler les produits Black & Decker lorsqu'ils ont atteint la fin de leur cycle de vie. Pour pouvoir profiter de ce service, veuillez retourner votre produit à un réparateur agréé qui se chargera de le collecter pour nous.

Pour connaître l'adresse du réparateur agréé le plus proche de chez vous, contactez le bureau Black & Decker à l'adresse indiquée dans ce manuel. Vous pourrez aussi trouver une liste des réparateurs agréés de Black & Decker et de plus amples détails sur notre service après-vente sur le site Internet à l'adresse suivante : www.2helpU.com

Batterie (fig. I & J)



Les batteries Black & Decker peuvent être rechargées de nombreuses fois. Si vous désirez vous débarrasser de votre appareil vous-même, vous devez retirer la batterie comme indiqué ci-dessous et la jeter en respectant la réglementation locale.

Attention !

- ◆ Débranchez l'appareil du secteur avant de retirer la batterie.
- ◆ Évitez de provoquer un court-circuit entre les bornes de batterie.
- ◆ Ne jetez pas la batterie dans le feu car elle risque d'exploser.
- ◆ Il est préférable de décharger la batterie en faisant fonctionner l'appareil jusqu'à ce que le moteur s'arrête.
- ◆ Retirez la tête d'alimentation (8).
- ◆ Retirez les vis (25) du fond (fig. I).
- ◆ Retirez les vis (26) du côté.
- ◆ Ouvrez la carcasse.
- ◆ Retirez les deux côtés de la carcasse (27).
- ◆ Enlevez le couvercle de la batterie (28) (fig. J).
- ◆ Dégagez la batterie de l'appareil.
- ◆ Retirez les clips de bornes (29).
- ◆ Placez la batterie dans un emballage adapté pour éviter toute possibilité de court-circuit entre les bornes.
- ◆ Apportez-la à votre distributeur ou à un centre de recyclage local. Les batteries récupérées seront recyclées ou jetées proprement.

Caractéristiques techniques

	GSC500 H2	
Voltage	V _{DC}	14,4
Capacité	I	4,7
Poids	kg	2

Chargeur

	VA170020D	
Tension secteur	V _{AC}	230
Tension de sortie	V _{CA}	17
Ampérage	mA	200
Temps de chargement approx.	h	14-18
Poids	kg	0,2

Niveau de pression acoustique selon EN 60745 :Pression acoustique (L_{pa}) 76,5 dB(A), incertitude (K) 3 dB(A)Puissance acoustique (L_{wa}) 87,5 dB(A), incertitude (K) 3 dB(A)**Valeurs totales de vibration (somme vectorielle triax) selon EN 60745 :**Poids de la vibration sur la main/bras 0,26 m/s^2 **Garantie**

Black & Decker est confiant dans la qualité de ses produits et vous offre une garantie très étendue. Ce certificat de garantie est un document supplémentaire et ne peut en aucun cas se substituer à vos droits légaux. La garantie est valable sur tout le territoire des Etats Membres de l'Union Européenne et de la Zone de Libre Echange Européenne.

Si un produit Black & Decker s'avère défectueux en raison de matériaux en mauvaises conditions, d'une erreur humaine, ou d'un manque de conformité dans les 24 mois suivant la date d'achat, Black & Decker garantit le remplacement des pièces défectueuses, la réparation des produits usés ou cassés ou remplace ces produits à la convenance du client, sauf dans les circonstances suivantes :

- ◆ Le produit a été utilisé dans un but commercial, professionnel, ou a été loué.
- ◆ Le produit a été mal utilisé ou avec négligence.
- ◆ Le produit a subi des dommages à cause d'objets étrangers, de substances ou à cause d'accidents.
- ◆ Des réparations ont été tentées par des techniciens ne faisant pas partie du service technique de Black & Decker.

Pour avoir recours à la garantie, il est nécessaire de fournir une preuve d'achat au vendeur ou à un réparateur agréé.

Pour connaître l'adresse du réparateur agréé le plus proche de chez vous, contactez le bureau Black & Decker à l'adresse indiquée dans ce manuel. Vous pourrez aussi trouver une liste des réparateurs agréés de Black & Decker et de plus amples détails sur notre service après-vente sur le site Internet à l'adresse suivante : **www.2helpU.com**

Visitez notre site Web **www.blackanddecker.fr** pour enregistrer votre nouveau produit Black & Decker et être informé des nouveaux produits et des offres spéciales. Pour plus d'informations concernant la marque Black & Decker et notre gamme de produits, consultez notre site **www.blackanddecker.fr**

Uso previsto

L'irroratore Black & Decker è stato progettato per spruzzare vari prodotti chimici a base d'acqua per tappeti erbosi e giardini quali insetticidi, fungicidi, diserbanti e fertilizzanti. Questo prodotto è destinato esclusivamente all'uso non professionale.

Norme generali di sicurezza

Attenzione!

- ◆ Leggere tutte le istruzioni riportate nella Scheda tecnica per la sicurezza dei materiali (MSDS) e sulle etichette delle confezioni fornite con i prodotti chimici.
- ◆ Leggere tutti gli avvisi di sicurezza indicati dal simbolo m, le Schede tecniche per la sicurezza dei materiali (MSDS), le etichette apposte sulle confezioni dei prodotti chimici e tutte le istruzioni.
- ◆ Leggere tutte le istruzioni. La mancata osservanza delle presenti istruzioni potrebbe causare scosse elettriche, incendi e/o infortuni gravi. Il termine "elettroutensile" che ricorre in tutte le seguenti avvertenze si riferisce ad utensili elettrici con o senza filo.

CONSERVARE QUESTE ISTRUZIONI

1. Sicurezza dell'area di lavoro

- a. **Mantenere pulita e bene illuminata l'area di lavoro.** Il disordine e la scarsa illuminazione possono causare incidenti.
- b. **Evitare d'impiegare gli elettroutensili in ambienti esposti al rischio di esplosione, ad esempio in presenza di liquidi, gas o polveri infiammabili.**
Gli elettroutensili producono scintille che possono far infiammare la polvere o i fumi.
- c. **Mantenere lontani bambini ed astanti mentre si usa l'elettroutensile.** Eventuali distrazioni possono comportare la perdita di controllo dell'elettroutensile.

2. Sicurezza elettrica

- a. **La spina elettrica deve essere adatta alla presa. Evitare assolutamente di alterare la spina. Non impiegare spine adattatrici con elettroutensili provvisti di messa a terra.** L'uso di spine inalterate e corrispondenti alle prese della rete domestica riduce il rischio di scosse elettriche.
- b. **Evitare il contatto fisico con superfici collegate a terra, come tubi, radiatori, forni e frigoriferi.** Un corpo collegato a terra è esposto maggiormente al rischio di scosse elettriche.
- c. **Custodire gli elettroutensili al riparo dalla pioggia o dall'umidità.** L'eventuale infiltrazione di acqua in un elettroutensile aumenta il rischio di scosse elettriche.
- d. **Non esporre il cavo a sollecitazioni. Non usare il cavo per trasportare o trainare l'elettroutensile e non tirarlo per estrarre la spina dalla presa di corrente.**

Mantenere il cavo a distanza da fonti di calore, olio, bordi taglienti e/o parti in movimento. I cavi elettrici danneggiati o aggrovigliati aumentano il rischio di scosse elettriche.

- e. **Se l'elettroutensile viene adoperato all'aperto, usare esclusivamente prolunghie omologate per l'impiego all'esterno.** Un cavo adatto per impieghi all'esterno riduce il rischio di scosse elettriche.

3. Sicurezza delle persone

- a. **È importante concentrarsi su ciò che si sta facendo e maneggiare con giudizio l'elettroutensile. Non adoperare l'elettroutensile se si è stanchi o sotto l'effetto di stupefacenti, alcol o medicinali.** Un attimo di distrazione durante l'uso dell'elettroutensile può causare gravi infortuni personali.
- b. **Indossare sempre un equipaggiamento protettivo. Utilizzare sempre occhiali protettivi di sicurezza.** Avendo cura d'indossare l'equipaggiamento protettivo necessario - ad esempio maschera antipolvere, calzature antiscivolo, casco ed otoprotezioni - si ridurrà il rischio di infortuni.
- c. **Evitare l'accensione involontaria dell'elettroutensile. Prima di inserire la spina nella presa, controllare che l'interruttore sia su Off.** Il trasporto di elettroutensili tenendo le dita sull'interruttore oppure l'inserimento della spina di alimentazione di un elettroutensile con l'interruttore di accensione su On, aumenta il rischio di incidenti.
- d. **Prima di accendere un elettroutensile, togliere eventuali chiavi o attrezzi di regolazione.** Un attrezzo o una chiave lasciati in un componente mobile dell'elettroutensile possono causare lesioni.
- e. **Non sporgersi. Mantenere sempre un buon equilibrio evitando posizioni malsicure.** In questo modo è possibile controllare meglio l'elettroutensile in situazioni inaspettate.
- f. **Vestirsi adeguatamente. Evitare di indossare indumenti larghi o gioielli. Tenere capelli, vestiti e guanti lontani dalle parti in movimento.** Vestiti larghi, gioielli o capelli lunghi possono impigliarsi nei componenti in movimento.
- g. **Se gli elettroutensili sono provvisti di attacchi per la connessione di dispositivi di aspirazione o raccolta della polvere, assicurarsi che questi siano installati e utilizzati correttamente.** L'impiego di tali dispositivi può ridurre i rischi correlati alle polveri.

4. Uso e cura dell'elettroutensile

- a. **Non sovraccaricare l'elettroutensile. Usare un elettroutensile idoneo al lavoro da eseguire.** Un elettroutensile appropriato permetterà una migliore e più sicura lavorazione alla potenza nominale prevista.

- b. Non utilizzare l'elettrotensile con interruttori difettosi.**
Un elettrotensile che non può essere controllato mediante l'interruttore è pericoloso e deve essere riparato.
- c. Estrarre la spina dalla presa di corrente prima di regolare l'elettrotensile, di sostituire degli accessori o di riporre l'elettrotensile.** Queste precauzioni riducono le possibilità che l'elettrotensile venga messo in funzione accidentalmente.
- d. Quando non vengono usati, gli elettrotensili devono essere custoditi fuori della portata dei bambini. Non consentire l'uso dell'elettrotensile a persone inesperte o che non abbiano letto le presenti istruzioni.**
Gli elettrotensili risultano pericolosi se usati da persone inesperte.
- e. Sottoporre gli elettrotensili alle procedure di manutenzione del caso. Verificare che le parti mobili siano bene allineate e non inceppate, che non vi siano componenti rotti e che non sussistano altre condizioni che possano compromettere il funzionamento dell'elettrotensile. In caso di danni, riparare l'elettrotensile prima dell'uso.** La scarsa manutenzione causa molti incidenti.
- f. Mantenere affilati e puliti gli utensili da taglio.** Se sottoposti alla corretta manutenzione, gli utensili da taglio con taglienti affilati s'inceppano meno frequentemente e sono più facili da manovrare.
- g. Utilizzare l'elettrotensile, gli accessori, le punte ecc. in conformità alle presenti istruzioni e secondo la specifica destinazione prevista, tenendo conto delle condizioni di lavoro e del lavoro da completare.**
L'impiego degli elettrotensili per usi diversi da quelli previsti può dar luogo a situazioni di pericolo.
- 5. Uso e cura degli utensili a batteria**
- a. Prima di inserire la batteria, assicurarsi che l'interruttore sia su Off.** Se la batteria viene inserita in un elettrotensile con l'interruttore su On ci si espone al rischio d'incidenti.
- b. Ricaricare la batteria esclusivamente con il caricabatterie specificato dal fabbricante.**
Un caricabatterie adatto per un tipo di batteria può esporre al rischio d'incendio se usato con una batteria diversa.
- c. Utilizzare gli elettrotensili solo con le batterie indicate.** L'uso di batterie diverse può esporre al rischio di infortuni e incendi.
- d. Quando non è in uso, la batteria deve essere conservata lontana da oggetti metallici come graffette, monete, chiavi, chiodi, viti o altre minuterie in metallo che possono creare contatto tra i poli.** Il cortocircuito dei poli di una batteria può causare ustioni o incendi.
- e. In condizioni di sovraccarico, le batterie possono perdere liquido: evitare di toccarlo. In caso di contatto accidentale, sciacquare con acqua.**

Se il liquido entra a contatto con gli occhi, rivolgersi ad un medico. Il liquido che fuoriesce dalle batterie può causare irritazioni o ustioni.

6. Riparazioni

- a. Fare riparare l'elettrotensile solo ed esclusivamente da personale specializzato e solo impiegando pezzi di ricambio originali.** Ciò permetterà di conservare le condizioni di sicurezza dell'elettrotensile.

Ulteriori istruzioni di sicurezza

Attenzione!

- ◆ Leggere tutte le istruzioni e le precauzioni di sicurezza relative all'equipaggiamento e al materiale da spruzzare prima di qualunque operazione.
- ◆ Rispettare tutte le normative locali, provinciali e nazionali relative a: aerazione, prevenzione antincendio e operazioni.
- ◆ Mantenere l'irroratore fuori dalla portata dei bambini.
- ◆ Si consiglia di indossare protezioni acustiche per usi prolungati.
- ◆ Indossare occhiali protettivi per evitare l'ingresso di particelle negli occhi.

Vapori pericolosi

Gli insetticidi e gli altri prodotti simili possono essere pericolosi se inalati, causando forti nausea, svenimenti o avvelenamenti.

- a.** Usare un respiratore o una maschera ovunque vi sia la possibilità di inalare i vapori. Leggere tutte le istruzioni accluse al prodotto da spruzzare e usare una maschera per garantire che fornisca la protezione adeguata contro l'inalazione di vapori pericolosi.

Istruzioni di sicurezza supplementari per irroratori

Sull'elettrotensile sono visibili i seguenti simboli di avvertenza:



Non esporre l'elettrotensile alla pioggia o a condizioni di elevata umidità.



Prima dell'uso leggere il presente manuale.



Non smaltire l'elettrotensile bruciandolo.



Tenere gli astanti lontani dall'area di lavoro.



Indossare sempre occhiali di protezione quando si utilizza questo utensile.



Indossare un respiratore o una maschera.



Utilizzare solo liquidi non infiammabili.

Attenzione!

- ◆ Prima di utilizzare qualunque pesticida o altre sostanze da spruzzare con questo irroratore, leggere interamente l'etichetta apposta sul contenitore originale e seguire le istruzioni. Alcuni prodotti da spruzzare sono pericolosi e non devono essere utilizzati con il presente irroratore in quanto possono danneggiarlo e causare serie lesioni o danni alle cose.
- ◆ Prima dell'uso, verificare che chiunque intenda usare l'irroratore legga e comprenda tutte le istruzioni di sicurezza e le altre informazioni contenute nel presente manuale.
- ◆ Non utilizzare elettrodomestici per giardinaggio in atmosfera ricca di gas o esplosiva. I motori di tali apparecchi normalmente emettono scintille che potrebbero incendiare i vapori.
- ◆ Non utilizzare prodotti chimici di livello industriale o per scopi commerciali o industriali. Utilizzare solo prodotti chimici a base d'acqua per tappeti erbosi e giardini ad uso domestico.
- ◆ In questo spruzzatore, non utilizzare liquidi caustici (alcalini), a riscaldamento spontaneo o corrosivi (acidi), che possano corrodere le parti metalliche o indebolire flessibile e guarnizioni.
- ◆ Non usare liquidi caldi o bollenti nell'irroratore, in quanto possono indebolire serbatoio e flessibile.
- ◆ Non lasciare residui o sostanze spray nel serbatoio dopo l'uso dell'irroratore.
- ◆ Non fumare durante l'uso dell'irroratore e non spruzzare dove sono presenti scintille o fiamme.
- ◆ Ispezionare interamente l'interno e l'esterno dell'irroratore prima di ciascun uso.
- ◆ Svuotare, pulire e scolare sia il serbatoio che il flessibile dopo ogni uso, seguendo le istruzioni.
- ◆ Non utilizzare pistole per spruzzare materiali infiammabili.
- ◆ Non spruzzare alcuna sostanza quando il rischio è sconosciuto.
- ◆ Utilizzare solo liquidi non infiammabili.

Sicurezza delle persone

- a. **Per manipolare prodotti chimici, è necessario indossare sempre un equipaggiamento protettivo, come guanti adatti e un respiratore o una maschera.** Avendo cura d'indossare l'equipaggiamento protettivo necessario si riduce il rischio di infortuni.
- b. **Non rivolgere il getto verso se stessi, verso persone o animali. Mantenere le mani e le altre parti del corpo distanti dal punto di erogazione. In caso di iniezione nella pelle, consultare immediatamente un medico.** Il materiale spruzzato può forare la pelle ed essere iniettato nel corpo.

c. Non trattare un'iniezione come un semplice taglio.

Un getto spray può iniettare tossine nel corpo e causare gravi lesioni. In caso di iniezione, consultare immediatamente un medico.

- d. **Porre attenzione ai rischi presentati dal prodotto che si sta irrorando. Consultare i simboli sulla confezione e le informazioni fornite dal fabbricante del prodotto da spruzzare, inclusi i requisiti per l'uso di equipaggiamento protettivo.** Seguire attentamente le istruzioni del fabbricante per ridurre il rischio d'incendio e di lesioni personali, derivanti da tossine, agenti cancerogeni, ecc.

Rischi residui

Altri rischi residui che possono sorgere durante l'impiego dell'utensile e che possono non essere stati contemplati dagli allegati avvisi di sicurezza. Tali rischi possono sorgere a seguito di un uso prolungato o improprio, ecc.

Perfino adottando gli appositi regolamenti di sicurezza e utilizzando i dispositivi di sicurezza, certi rischi residui non possono essere evitati. Essi comprendono:

- ◆ Lesioni causate o subite a seguito del contatto con parti rotanti / in movimento.
- ◆ Lesioni causate o subite durante la sostituzione di parti, lame o accessori.
- ◆ Lesioni causate dall'impiego prolungato di un utensile. Quando si usa qualsiasi utensile per lunghi periodi, accertarsi di fare regolarmente delle pause.
- ◆ Problemi di udito.
- ◆ Rischi per la salute causati dall'aspirazione di polvere generata dall'utilizzo dell'utensile (ad esempio: quando si lavora con il legno, in modo particolare quello di quercia, faggio o l'MDF).

Sicurezza altrui

- ◆ Questo elettrodomestico non è destinato ad essere utilizzato da persone (bambini inclusi) con ridotte capacità fisiche, sensoriali o mentali, senza esperienza o non in possesso delle dovute conoscenze, senza la supervisione o l'addestramento da parte di una persona responsabile per la loro sicurezza.
- ◆ Controllare i bambini per evitare che giochino con l'elettrodomestico.

Istruzioni supplementari sulla sicurezza per batterie e caricabatterie

Batterie

- ◆ Non tentare mai di aprire le batterie, per nessuna ragione.
- ◆ Non esporre la batteria all'acqua.
- ◆ Non conservarle in ambienti in cui la temperatura possa superare i 40 °C.

- ◆ Caricare le batterie solo a temperatura ambiente compresa tra 10 °C e 40 °C.
- ◆ Caricare la batteria solo usando il caricabatterie fornito con l'elettro utensile.
- ◆ Per smaltire le batterie seguire le istruzioni riportate nel capitolo "Protezione dell'ambiente".

Caricabatterie

- ◆ Usare il caricabatterie Black & Decker soltanto per caricare le batterie fornite con l'utensile. Batterie di altro tipo possono esplodere, provocando danni a persone e cose.
- ◆ Non tentare mai di ricaricare una batteria non ricaricabile.
- ◆ Sostituire immediatamente i cavi difettosi.
- ◆ Non esporre il caricabatterie all'acqua.
- ◆ Non aprire il caricabatterie.
- ◆ Non applicare i puntali di un multimetro sul caricabatterie.



Il caricabatterie è destinato ad essere usato esclusivamente in ambienti interni.



Leggere il manuale di istruzioni prima dell'uso.



Trasformatore isolante a prova di guasto.

L'alimentazione di rete è separata elettricamente dall'uscita del trasformatore.



Il caricabatterie si spegne automaticamente se la temperatura ambiente sale eccessivamente. Come conseguenza, il caricabatterie diventerà inutilizzabile. L'unità dovrà essere scollegata dalla rete elettrica e portata presso un centro assistenza autorizzato per la riparazione.

Sicurezza elettrica



Il caricabatterie è provvisto di doppio isolamento che rende superflua la messa a terra. Controllare che la tensione di alimentazione corrisponda a quella indicata sulla targhetta con i dati caratteristici.

Attenzione! Non cercare di utilizzare una normale presa di corrente al posto del caricabatterie.

Funzioni

1. Interruttore acceso/spento
2. Cinghia per trasporto
3. Asta
4. Impugnatura dell'asta
5. Tappo del serbatoio
6. Tubo di aspirazione
7. Ugello

8. Testa di alimentazione
9. Serbatoio

Montaggio e regolazione

Attenzione! Assicurarsi che l'irroratore sia spento.

Collegare la cinghia per il trasporto (fig. A)

- ◆ Collegare le clip (10) della cinghia (2) alle aperture (11) sulla testa di alimentazione.

Montaggio dell'asta per irrorare (fig. B)

- ◆ Inserire l'asta (3) nell'apposita impugnatura (4) finché non scatta in posizione.
- ◆ Serrare il tappo (12) sull'impugnatura.

Montaggio dell'ugello (fig. C)

- ◆ Avvitare l'ugello (7) sulla punta dell'impugnatura (13).

Regolazione dell'ugello a cono

- ◆ Ruotare l'ugello (7) in senso orario per applicazioni con getto più stretto.
- ◆ Ruotare l'ugello (7) in senso antiorario per applicazioni con getto più largo.

Rimozione e sostituzione della testa di alimentazione (fig. D & E)

- ◆ Svitare il tappo del serbatoio (5) (fig. D1).
- ◆ Rimuovere il tubo di aspirazione (6) dal serbatoio (9).
- ◆ Rilasciare il blocco (14) spingendolo indietro (fig. E).
- ◆ Sollevare il retro della testa di alimentazione (8) e spostarla in avanti (fig. D2).
- ◆ Estrarre la testa di alimentazione (8).
- ◆ Per collegare la testa di alimentazione (8), allineare le scanalature (15) nella testa con le alette (16) nella parte superiore del serbatoio (9) (fig. D2 & D3).
- ◆ Spostare indietro la testa di alimentazione (8) finché non si blocca in posizione.
- ◆ Inserire la staffa (17) sull'aggancio del blocco (18) (fig. E).
- ◆ Quindi spingere il bordo sporgente (14) in avanti finché non si blocca in posizione.
- ◆ Inserire il tubo di aspirazione (6) nel serbatoio.
- ◆ Reinstallare il tappo del serbatoio (5) e serrarlo.

Uso

Attenzione!

- ◆ Indossare sempre un equipaggiamento protettivo.
- ◆ Spruzzare solo in aree ben ventilate.
- ◆ Utilizzare solo prodotti chimici raccomandati come descritto nelle istruzioni di sicurezza.

Caricamento della batteria (fig. F)

È necessario caricare la batteria prima del primo utilizzo e ogniqualvolta che non eroghi la sufficiente energia per eseguire un lavoro che prima veniva eseguito con facilità. Quando si carica la batteria per la prima volta, o dopo un lungo periodo d'inattività, accetterà soltanto l'80% della sua capacità. Dopo diversi cicli di carica e scarica la batteria raggiunge la sua piena capacità. La batteria si può riscaldare durante il processo di carica; è normale e non è indicativo di nessun problema.

Attenzione! Non caricare la batteria ad una temperatura ambiente inferiore ai 10 °C o superiore ai 40 °C.

La temperatura di carica consigliata è di circa 24 °C.

- ◆ Estrarre il coperchio del connettore (19).
- ◆ Inserire la spina del caricabatterie (20) nel connettore del caricabatterie (21) sul retro dell'elettrotensile.
- ◆ Inserire la spina del caricabatterie nella presa.
- ◆ Accenderlo.
- ◆ Lasciare l'elettrotensile collegato al caricabatterie per 14-18 ore.

Durante la ricarica, il caricabatterie può riscaldarsi.

Ciò è normale e non indica alcun problema. L'apparecchio può restare attaccato al caricabatterie indefinitamente.

- ◆ Prima di usare l'elettrotensile, estrarre la spina del caricabatterie e estrarre l'elettrotensile dal caricabatterie.
- ◆ Rimontare il coperchio del connettore (19).

Attenzione! L'elettrotensile non funziona mentre è collegato al caricabatterie.

Riempimento del serbatoio (fig. D1)

- ◆ Svitare il tappo del serbatoio (5).
- ◆ Rimuovere il tubo di aspirazione (6) dal serbatoio (9).
- ◆ Riempire il serbatoio con liquido adatto.

Attenzione! Utilizzare solo prodotti chimici adatti come descritto nelle istruzioni di sicurezza.

Accensione e spegnimento

- ◆ Per accendere, premere il pulsante (1).
- ◆ Per spegnere, rilasciare il pulsante (1).

Attenzioni!

- ◆ Spruzzare sempre sottovento, distante da persone e animali.
- ◆ Utilizzare solo ugelli indicati dal produttore.
- ◆ Se l'ugello si intasa, spegnere immediatamente l'elettrotensile.

Pulizia e manutenzione

Attenzione!

- ◆ Non conservare prodotti chimici nell'elettrotensile.
- ◆ Non utilizzare agenti di pulizia aggressivi o abrasivi.

- ◆ Leggere e seguire sempre le istruzioni del produttore del detergente impiegato.
- ◆ Smaltire il liquido contaminato in conformità con le normative locali.

Pulizia del serbatoio

Pulire l'elettrotensile dopo l'uso.

- ◆ Estrarre la testa di alimentazione (8).
- ◆ Se è rimasto del liquido, rimetterlo nel contenitore originale o in uno adatto.
- ◆ Riempire il serbatoio (9) fino a 1/3 del suo volume con acqua pulita e sapone.

Attenzione! Non usare liquidi infiammabili per la pulizia.

- ◆ Rimontare la testa di alimentazione (8).
- ◆ Irrorare il contenuto del serbatoio (9) fino a svuotarlo.
- ◆ Ripetere le precedenti istruzioni per il numero di volte necessarie.

Pulizia del filtro (fig. D1)

Se il flusso del liquido diminuisce, il filtro potrebbe essere intasato. Per pulire il filtro, procedere come descritto di seguito:

- ◆ Svitare il tappo del serbatoio (5).
- ◆ Rimuovere il tubo di aspirazione (6) dal serbatoio (9).
- ◆ Pulire il filtro in acqua calda e sapone.

Conservazione (fig. G & H)

Attenzione! Non conservare in ambienti in cui la temperatura possa scendere sotto 0 °C.

- ◆ Pulire e asciugare tutti i componenti dell'elettrotensile se non viene utilizzato per più di un giorno.
- ◆ Collegare l'impugnatura dell'asta (4) alle clip laterali (22) (fig. G).
- ◆ Inserire il flessibile (23) con il fermo in Velcro (24) sulla testa di alimentazione (8) (fig. H).

Accessori

Le prestazioni dell'elettrotensile dipendono dall'accessorio usato. Gli accessori Black & Decker e Piranha, che sono prodotti di altissima qualità, sono stati progettati per ottimizzare la resa dell'elettrotensile. Quando si scelgono questi accessori l'elettrotensile offre prestazioni eccellenti.

Risoluzione dei problemi

Se l'elettrodomestico non funziona correttamente, controllare quanto segue:

Avaria	Causa possibile	Azione
Il flusso del liquido diminuisce o si interrompe.	Filtro intasato.	Controllare il filtro all'estremità del tubo di aspirazione. Pulire il filtro in acqua calda e sapone.
	Batteria scarica.	Ricaricare la batteria.
	Tubo di aspirazione non completamente inserito nel serbatoio.	Spingere il tubo di aspirazione fino in fondo.
L'unità non si accende.	Batteria scarica.	Verificare i requisiti per la carica della batteria.

Protezione dell'ambiente



Raccolta differenziata. Questo prodotto non deve essere smaltito con i normali rifiuti domestici.

Nel caso in cui si decida di sostituire l'apparecchio oppure di disfarsene in quanto non più necessario, non dovrà essere smaltito con i normali rifiuti domestici. Smaltire il prodotto tramite raccolta differenziata.



La raccolta differenziata di prodotti e imballaggi usati, consente il riciclaggio e il riutilizzo dei materiali. Riutilizzare i materiali riciclati aiuta a prevenire l'inquinamento ambientale e riduce la richiesta di materie prime.

In base alle normative locali, i servizi per la raccolta differenziata di elettrodomestici possono essere disponibili presso i punti di raccolta municipali o presso il rivenditore, al momento dell'acquisto di un nuovo prodotto.

Black & Decker offre ai suoi clienti un servizio per la raccolta differenziata e la possibilità di riciclare i prodotti Black & Decker che hanno esaurito la loro durata in servizio. Per usufruire del servizio, è sufficiente restituire il prodotto a qualsiasi tecnico autorizzato, incaricato della raccolta per conto dell'azienda.

Per individuare il tecnico autorizzato più vicino, rivolgersi alla sede Black & Decker locale, presso il recapito indicato nel presente manuale. Altrimenti un elenco completo di tutti i tecnici autorizzati Black & Decker e i dettagli completi sui contatti e i servizi post-vendita sono disponibili sul sito Internet: www.2helpU.com

Batteria (fig. I & J)



Le batterie della Black & Decker si possono ricaricare più volte: Se si desidera disfarsi dell'elettrodomestico, la batteria deve essere estratta come descritto di seguito e smaltita conformemente alle norme locali.

Attenzione!

- ◆ Scollegare l'elettrodomestico dall'alimentazione prima di togliere la batteria.
- ◆ Non cortocircuitare i terminali della batteria.
- ◆ Non smaltire la batteria incenerendola perché potrebbe provocare un'esplosione.
- ◆ È preferibile scaricare la batteria facendo funzionare l'elettrodomestico fino a che il motore non si ferma.
- ◆ Estrarre la testa di alimentazione (8).
- ◆ Rimuovere le viti (25) dal fondo (fig. I).
- ◆ Rimuovere le viti (26) dal lato (26).
- ◆ Aprire l'alloggiamento.
- ◆ Rimuovere entrambi i lati dell'alloggiamento (27).
- ◆ Rimuovere il coperchio della batteria (28) (fig. J).
- ◆ Estrarre la batteria dall'elettrodomestico.
- ◆ Estrarre le clip dei terminali (29).
- ◆ La batteria deve essere imballata in modo da garantire che i terminali non possano essere cortocircuitati.
- ◆ Portare la batteria presso il concessionario o un impianto di riciclaggio locale. Le batterie raccolte verranno riciclate o smaltite a norma di legge.

Dati tecnici

GSC500 H2	
Tensione	V _{DC} 14,4
Capacità	I 4,7
Peso	kg 2

Caricabatteria

VA170020D	
Tensione di rete	V _{AC} 230
Tensione di uscita	V _{CA} 17
Amperaggio	mA 200
Tempo approssimato di carica	h 14-18
Peso	kg 0,2

Livello di pressione sonora, dati conformi alla norma EN 60745:

Pressione sonora (L _{PA})	76,5 dB(A), incertezza (K) 3 dB(A)
Potenza acustica (L _{WA})	87,5 dB(A), incertezza (K) 3 dB(A)

Valori totali di vibrazione (somma vettoriale triax) determinati in base a EN 60745:

Vibrazione misurata su braccio/mano 0,26 m/s²

Garanzia

Certa della qualità dei suoi prodotti, Black & Decker offre una garanzia eccezionale. Il presente certificato di garanzia è complementare ai diritti statutari e non li pregiudica in alcun modo. La garanzia è valida entro il territorio degli Stati membri dell'Unione Europea e dell'EFTA (European Free Trade Area).

Se un prodotto Black & Decker risulta difettoso per qualità del materiale, della costruzione o per mancata conformità entro 24 mesi dalla data di acquisto, Black & Decker garantisce la sostituzione delle parti difettose, provvede alla riparazione dei prodotti se ragionevolmente usurati oppure alla loro sostituzione, in modo da ridurre al minimo il disagio del cliente a meno che:

- ◆ Il prodotto non sia stato destinato ad usi commerciali, professionali o al noleggio;
- ◆ Il prodotto non sia stato usato in modo improprio o scorretto;
- ◆ Il prodotto non abbia subito danni causati da oggetti o sostanze estranee oppure incidenti;
- ◆ Il prodotto non abbia subito tentativi di riparazione non effettuati da tecnici autorizzati né dall'assistenza Black & Decker.

Per attivare la garanzia è necessario esibire la prova comprovante l'acquisto al venditore o al tecnico autorizzato. Per individuare il tecnico autorizzato più vicino, rivolgersi alla sede Black & Decker locale, presso il recapito indicato nel presente manuale. Altrimenti un elenco completo di tutti i tecnici autorizzati Black & Decker e i dettagli completi sui contatti e i servizi post-vendita sono disponibili su Internet presso: www.2helpU.com

I clienti che desiderano registrare il nuovo prodotto Black & Decker e ricevere gli aggiornamenti sui nuovi prodotti e le offerte speciali, sono invitati a visitare il sito Web (www.blackanddecker.it). Ulteriori informazioni sul marchio e la gamma di prodotti Black & Decker sono disponibili all'indirizzo www.blackanddecker.it

Gebruik volgens bestemming

De Black & Decker sproeier is bedoeld voor het sproeien van een aantal chemicaliën op waterbasis voor gazon en tuin, zoals insecticiden, fungiciden, onkruidverdelgers en kunstmest. Dit product is uitsluitend bedoeld voor consumentengebruik.

Algemene veiligheidsvoorschriften

Waarschuwing!

- ◆ Lees alle instructies inclusief de informatiebladen over materiaalveiligheid en de labels op de bij de chemicaliën geleverde bak.
- ◆ Lees alle veiligheidswaarschuwingen aangeduid met het symbool m, de informatiebladen over materiaalveiligheid, de bij de chemicaliën geleverde labels en alle voorschriften.
- ◆ Lees alle voorschriften. Het niet in acht nemen van de volgende voorschriften kan leiden tot een elektrische schok, brand of ernstig letsel. Het hierna gebruikte begrip "elektrisch gereedschap" heeft betrekking op elektrische gereedschappen voor gebruik op het stroomnet (met netsnoer) of op batterijen (snoerloos).

BEWAAR DEZE VOORSCHRIFTEN GOED.

1. Veiligheid van de werkomgeving

- a. **Houd uw werkomgeving schoon en opgeruimd.**
Een rommelige of onverlichte werkomgeving kan tot ongevallen leiden.
- b. **Werk niet met elektrische gereedschappen in een omgeving met explosiegevaar, zoals in aanwezigheid van brandbare vloeistoffen, gassen of stof.** Elektrische gereedschappen veroorzaken vonken die het stof of de dampen tot ontsteking kunnen brengen.
- c. **Houd kinderen en andere personen tijdens het gebruik van het elektrische gereedschap uit de buurt.**
Wanneer u wordt afgeleid, kunt u de controle verliezen.

2. Elektrische veiligheid

- a. **De netstekker van het gereedschap moet in het stopcontact passen. De stekker mag in geen geval worden veranderd. Gebruik geen adapterstekkers in combinatie met gearde gereedschappen.**
Onveranderde stekkers en passende stopcontacten verminderen de kans op een elektrische schok.
- b. **Voorkom aanraking van het lichaam met gearde oppervlakken, bijvoorbeeld buizen, verwarmingen, fornuizen en koelkasten.** De kans op een elektrische schok is groter als uw lichaam geard is.
- c. **Stel elektrisch gereedschap niet bloot aan regen en vocht.** In elektrisch gereedschap binnendringend water vergroot de kans op een elektrische schok.

- d. **Gebruik het snoer niet voor een verkeerd doel. Gebruik het snoer niet om het gereedschap te dragen, voor te trekken of om de stekker uit het stopcontact te trekken. Houd het snoer uit de buurt van hitte, olie, scherpe randen of bewegende delen.** Beschadigde of in de war geraakte snoeren vergroten de kans op een elektrische schok.
 - e. **Gebruik wanneer u buitenshuis met elektrisch gereedschap werkt alleen verlengsnoeren die voor gebruik buitenshuis zijn goedgekeurd.** Het gebruik van een voor gebruik buitenshuis geschikt verlengsnoer verkleint de kans op een elektrische schok.
- ### 3. Veiligheid van personen
- a. **Wees alert, let goed op wat u doet en ga met verstand te werk bij het gebruik van elektrische gereedschappen. Gebruik elektrisch gereedschap niet wanneer u moe bent of onder invloed van drugs, alcohol of medicijnen.** Een moment van onoplettendheid bij het gebruik van het gereedschap kan tot ernstige verwondingen leiden.
 - b. **Draag persoonlijke beschermende uitrusting. Draag altijd oogbescherming.** Het dragen van persoonlijke beschermende uitrusting, zoals een stofmasker, slipvast werkschoenen, een veiligheidshelm of gehoorbescherming, afhankelijk van de aard en het gebruik van het elektrische gereedschap, verlaagt de kans op verwondingen.
 - c. **Voorkom per ongeluk inschakelen. Controleer of de schakelaar op uit staat voordat u de stekker in het stopcontact steekt.** Wanneer u bij het dragen van het gereedschap uw vinger aan de schakelaar hebt of wanneer u het gereedschap ingeschakeld op de stroomvoorziening aansluit, kan dit tot ongevallen leiden.
 - d. **Verwijder stelsleutels of moersleutels voordat u het gereedschap inschakelt.** Een sleutel in een draaiend onderdeel van het elektrische gereedschap kan tot verwondingen leiden.
 - e. **Reik niet te ver. Zorg er altijd voor dat u stevig staat en in evenwicht blijft.** Daardoor kunt u het gereedschap in onverwachte situaties beter onder controle houden.
 - f. **Draag geschikte kleding. Draag geen loshangende kleding of sieraden. Houd haren, kleding en handschoenen uit de buurt van bewegende delen.** Loshangende kleding, sieraden en lange haren kunnen bekneld raken in bewegende delen.
 - g. **Sluit eventueel bijgeleverde stofafzuig- of stofopvangvoorzieningen aan en gebruik ze op de juiste manier.** Het gebruik van deze voorzieningen beperkt het gevaar door stof.

4. **Gebruik en onderhoud van elektrische gereedschappen**
 - a. **Overbelast het gereedschap niet. Gebruik voor uw toepassing het daarvoor bestemde elektrische gereedschap.** Met het passende elektrische gereedschap werkt u beter en veiliger binnen het aangegeven capaciteitsbereik.
 - b. **Gebruik geen elektrisch gereedschap waarvan de schakelaar defect is.** Elektrisch gereedschap dat niet meer kan worden in- of uitgeschakeld is gevaarlijk en moet worden gerepareerd.
 - c. **Trek de stekker uit het stopcontact alvorens het gereedschap af te stellen, accessoires te verwisselen of gereedschap op te bergen.** Deze voorzorgsmaatregel voorkomt onbedoeld starten van het gereedschap.
 - d. **Bewaar elektrische gereedschappen die niet worden gebruikt buiten bereik van kinderen. Laat personen die niet met het gereedschap vertrouwd zijn of deze aanwijzingen niet hebben gelezen niet met het gereedschap werken.** Elektrische gereedschappen zijn gevaarlijk in de handen van onervaren personen.
 - e. **Verzorg het gereedschap zorgvuldig. Controleer bewegende delen van het gereedschap op goede uitlijning en soepele werking. Controleer of onderdelen niet gebroken zijn of dat de werking van het gereedschap niet op enige andere wijze nadelig wordt beïnvloed. Laat beschadigde delen repareren voordat u met het gereedschap gaat werken.** Veel ongevallen worden veroorzaakt door slecht onderhouden elektrische gereedschappen.
 - f. **Houd snijgereedschappen scherp en schoon.** Zorgvuldig onderhouden snijgereedschappen met scherpe snijkanten lopen minder snel vast en zijn gemakkelijker te sturen.
 - g. **Gebruik elektrische gereedschappen, accessoires en inzetgereedschappen en dergelijke volgens deze aanwijzingen en op de voor dit speciale type gereedschap bedoelde manier. Let daarbij op de werkomstandigheden en de uit te voeren werkzaamheden.** Het gebruik van elektrische gereedschappen voor andere dan de voorziene toepassingen kan tot gevaarlijke situaties leiden.

5. **Gebruik en onderhoud van op een accu werkende gereedschappen**
 - a. **Controleer of de schakelaar op uit staat voordat u de accu in het gereedschap steekt.** Wanneer bij het aanbrengen van een accu in elektrisch gereedschap de schakelaar op aan staat, kan dit tot ongevallen leiden.
 - b. **Laad accu's alleen op in door de fabrikant gespecificeerde opladers.** Een voor een bepaald type accu geschikte oplader levert brandgevaar op bij gebruik met een andere accu.

- c. **Gebruik elektrische gereedschappen alleen met de daarvoor bedoelde accu's.** Het gebruik van andere accu's kan letsel en brand veroorzaken.
 - d. **Houd accu's die niet in gebruik zijn uit de buurt van metalen voorwerpen zoals paperclips, munten, sleutels, spijkers, schroeven en andere kleine metalen voorwerpen die overbrugging van de contacten kunnen veroorzaken.** Kortsluiting tussen de accupolen brandwonden of brand veroorzaken.
 - e. **Bij verkeerd gebruik kan vloeistof uit de accu lekken. Voorkom contact. Spoel in geval van onbedoeld contact met water. Raadpleeg tevens een arts als de vloeistof in contact komt met de ogen.** Uit de accu gelekte vloeistof kan huidirritaties of brandwonden veroorzaken.
6. **Service**
 - a. **Laat het elektrische gereedschap alleen repareren door een gekwalificeerde reparateur en alleen met gebruik van originele vervangingsonderdelen.** Dit garandeert de veiligheid van het gereedschap.

Aanvullende veiligheidsinstructies

Waarschuwing!

- ◆ Lees alle instructies en veiligheidsmaatregelen voor apparatuur en sproeimateriaal voordat u met de apparatuur gaat werken.
- ◆ Volg alle van toepassing zijnde lokale en nationale voorschriften met betrekking tot ventilatie, brandveiligheid en bediening op.
- ◆ Houd de sproeier buiten het bereik van kinderen.
- ◆ Het dragen van gehoorbescherming bij langdurig gebruik wordt aangeraden.
- ◆ Draag een veiligheidsbril om te voorkomen dat deeltjes in de ogen komen.

Gevaarlijke dampen

Insecticiden en andere materialen kunnen bij inademing schadelijk zijn en ernstige misselijkheid, flauwvallen of vergiftiging veroorzaken.

- a. **Gebruik een ademhalingstoestel of masker als de kans op inademing van dampen aanwezig is.** Lees alle bij het sproeimateriaal en het masker geleverde voorschriften om zeker te zijn dat u voldoende beschermd bent tegen het inademen van schadelijke dampen.

Aanvullende veiligheidsinstructies voor sproeiers

Het apparaat is voorzien van de volgende pictogrammen:



Stel het apparaat niet bloot aan regen of hoge vochtigheid.



Lees de handleiding voordat u met het gereedschap gaat werken.



Gooi het apparaat niet weg in vuur.



Houd omstanders uit de buurt.



Draag een veiligheidsbril als u dit gereedschap bedient.



Draag een ademhalingsstoestel of een masker.



Gebruik uitsluitend niet-brandbare vloeistoffen.

Waarschuwing!

- ◆ Lees voordat u een pesticide of ander sproeimateriaal in deze sproeier gaat gebruiken het label op de oorspronkelijke bak zorgvuldig door en volg de hierop gegeven aanwijzingen. Sommige sproeimaterialen zijn gevaarlijk en mogen niet in deze sproeier worden gebruikt, aangezien zij de sproeier kunnen beschadigen en ernstig lichamelijk letsel of schade aan eigendommen kunnen veroorzaken.
- ◆ Zorg dat de persoon die met deze sproeier gaat werken alle veiligheidsvoorschriften en andere informatie in deze handleiding heeft gelezen en begrepen.
- ◆ Werk niet met tuinapparatuur in een omgeving waar gassen en explosieve materialen aanwezig zijn. Motors in deze apparaten geven doorgaans vonken die dampen tot ontsteking kunnen brengen.
- ◆ Gebruik geen chemicaliën van industriële klasse of chemicaliën voor commerciële of industriële doeleinden. Gebruik alleen voor consumentengebruik bedoelde chemicaliën op waterbasis voor het gazon en de tuin.
- ◆ Gebruik geen loog (alkalische) zelfverwarmende of corrosieve (zure) vloeistoffen in deze sproeier, aangezien deze de metalen onderdelen en de slang en afdichtingen kunnen aantasten.
- ◆ Gebruik geen warme of kokende vloeistoffen in de sproeier, aangezien deze het reservoir en de slang kunnen aantasten.
- ◆ Laat na gebruik geen restant of sproeimateriaal in het reservoir achter.
- ◆ Rook niet tijdens het sproeien en sproei niet bij aanwezigheid van vonken of vlammen.
- ◆ Inspecteer voor gebruik zowel de binnenzijde als de buitenzijde van de sproeier zorgvuldig.
- ◆ Leeg, reinig en tap zowel het reservoir als de slang af na ieder gebruik volgens de aanwijzingen.
- ◆ Gebruik geen spuitpistolen voor het sproeien van brandbare materialen.
- ◆ Sproei geen materiaal waarvan u het gevaar niet kent.
- ◆ Gebruik uitsluitend niet-brandbare vloeistoffen.

Veiligheid van personen

- a. **Draag persoonlijk beschermende uitrusting zoals geschikte handschoenen en een ademhalingsstoestel of masker als u met chemicaliën werkt.** Gebruik van voor de omstandigheden geschikte veiligheidsuitrusting verlaagt de kans op persoonlijk letsel.
- b. **Sproei niet op uzelf, andere personen of dieren. Houd uw handen en andere lichaamsdelen uit de buurt van de afvoer. Raadpleeg in geval van contact met de huid onmiddellijk een arts.** Het gespreide materiaal kan de huid doorboren en uw lichaam binnendringen.
- c. **Behandel binnendringing niet als een eenvoudige snijwond.** Het gespreide materiaal kan giftige stoffen in het lichaam brengen en ernstig lichamelijk letsel veroorzaken. Raadpleeg in geval van binnendringing onmiddellijk een arts.
- d. **Pas op voor eventuele gevaren die het sproeimateriaal met zich meebrengt. Raadpleeg de markeringen op de bak of de door de fabrikant van het te sproeien materiaal geleverde informatie, inclusief de eisen voor het gebruik van persoonlijke beschermende uitrusting.** Volg de aanwijzingen van de fabrikant op om de kans op brand en persoonlijk letsel veroorzaakt door giftige stoffen, kankerverwekkende stoffen, enz. te verkleinen.

Overige risico's

Er kunnen zich tijdens het gebruik van het gereedschap ook andere risico's voordoen die misschien niet in de bijgevoegde veiligheids waarschuwingen worden vermeld. Deze risico's kunnen zich voordoen als gevolg van onoordeelkundig gebruik, langdurig gebruik, enz.

Zelfs als de veiligheidsvoorschriften in acht worden genomen en de veiligheidsvoorzieningen worden geïmplementeerd, kunnen bepaalde risico's niet worden vermeden.

Deze omvatten:

- ◆ Verwondingen die worden veroorzaakt door het aanraken van draaiende of bewegende onderdelen.
- ◆ Verwondingen die worden veroorzaakt bij het vervangen van onderdelen, bladen of accessoires.
- ◆ Verwondingen die worden veroorzaakt door langdurig gebruik van het gereedschap. Als u langere periodes met het gereedschap werkt, is het raadzaam om regelmatig een pauze in te lassen.
- ◆ Gehoorbeschadiging.
- ◆ Gezondheidsrisico's als gevolg van het inademen van stof dat door gebruik van het gereedschap wordt veroorzaakt (bijvoorbeeld: tijdens het werken met hout, vooral eiken, beuken en MDF).

Veiligheid van anderen

- ◆ Dit apparaat is niet bedoeld voor gebruik door personen (inclusief kinderen) met beperkt lichamelijk, zintuigelijk of geestelijk vermogen, of gebrek aan ervaring en kennis, tenzij ze de supervisie of instructie is gegeven omtrent het gebruik van het apparaat door een persoon die verantwoordelijk is voor hun veiligheid.
- ◆ Houd toezicht op kinderen om te voorkomen dat zij met het apparaat gaan spelen.

Aanvullende veiligheidsvoorschriften voor accu's en opladers

Accu's

- ◆ Probeer nooit een accu te openen.
- ◆ Stel de accu niet aan water bloot.
- ◆ Bewaar accu's niet op plaatsen waar de temperatuur hoger kan worden dan 40 °C.
- ◆ Laad accu's uitsluitend op bij een omgevingstemperatuur tussen 10 °C en 40 °C.
- ◆ Laad accu's uitsluitend op met behulp van de meegeleverde oplader.
- ◆ Volg bij het weggooien van accu's de instructies in de paragraaf "Milieu" op.

Opladers

- ◆ Gebruik uw Black & Decker oplader uitsluitend voor het opladen van accu's van het meegeleverde type. Andere accu's kunnen scheuren en zo letsel en materiële schade veroorzaken.
- ◆ Probeer nooit niet-oplaadbare accu's op te laden.
- ◆ Laat een defect netsnoer onmiddellijk vervangen.
- ◆ Stel de oplader niet aan water bloot.
- ◆ Open de oplader niet.
- ◆ Doorboor de oplader niet.



De oplader is uitsluitend bedoeld voor gebruik binnenshuis.



Lees voor gebruik de gebruiksaanwijzing.



Stringbestendige scheidingstransformator.
De netspanning is elektrisch gescheiden van de uitgangsspanning van de transformator.



De oplader sluit automatisch af als de omgevingstemperatuur te hoog wordt. Dit stelt de oplader buiten werking. Koppel het apparaat eenheid los van de netspanning en breng het voor reparatie naar een erkend servicecentrum.

Elektrische veiligheid



Uw oplader is dubbel geïsoleerd; een aardaansluiting is daarom niet noodzakelijk. Controleer altijd of de netspanning overeenkomt met het voltage op het typeplaatje.

Waarschuwing! Vervang de oplader nooit door een netstekker.

Onderdelen

1. Aan/uit-schakelaar
2. Draagriem
3. Verlengstuk
4. Handgreep voor het verlengstuk
5. Reservoirdop
6. Zuigslang
7. Mondstuk
8. Opvoerpomp
9. Reservoir

Assemblage en afstelling

Waarschuwing! Controleer of de sproeier is uitgeschakeld.

De draagriem bevestigen (fig. A)

- ◆ Bevestig de klemmen (10) van de band (2) in de openingen (11) op de opvoerpomp.

Het verlengstuk van de sproeier monteren (fig. B)

- ◆ Steek het verlengstuk (3) in de hendel voor het verlengstuk (4) tot deze op de plaats vergrendelt.
- ◆ Draai de dop (12) op de hendel vast.

De spuitmond aanbrengen (fig. C)

- ◆ Schroef de spuitmond (7) op het uiteinde van de hendel (13).

De kegelvormige spuitmond afstellen

- ◆ Draai de spuitmond (7) rechtsom voor een smalle nevel.
- ◆ Draai de spuitmond (7) linksom voor een brede nevel.

De opvoerpomp verwijderen en terugplaatsen (fig. D & E)

- ◆ Draai de reservoirdop (5) los (fig. D1).
- ◆ Verwijder de zuigslang (6) uit het reservoir (9).
- ◆ Maak de vergrendeling (14) los door deze omlaag te duwen (fig. E).
- ◆ Breng de achterkant van de opvoerpomp (8) omhoog en beweeg deze voorwaarts (fig. D2).
- ◆ Trek de opvoerpomp (8) van het apparaat af.
- ◆ Lijn om de opvoerpomp (8) te bevestigen de sleuven (15) in de opvoerpomp met de tabs (16) bovenop het reservoir (9) fig. D2 & D3).

- ◆ Beweeg de opvoerpomp (8) naar achteren tot deze op de plaats vergrendelt.
- ◆ Plaats de beugel (17) over de bevestiging van de vergrendeling (18) (fig. E).
- ◆ Duw de richel (14) omhoog tot deze op de plaats vergrendelt.
- ◆ Plaats de zuigslang (6) in het reservoir.
- ◆ Plaats de reservoirdop (5) terug en draai hem aan.

Gebruik

Waarschuwing!

- ◆ Draag persoonlijke beschermende uitrusting.
- ◆ Sproei alleen in goed geventileerde ruimtes.
- ◆ Gebruik alleen de aanbevolen chemicaliën zoals beschreven in de veiligheidsvoorschriften.

Opladen van de accu (fig. F)

De accu moet worden opgeladen voor het eerste gebruik alsmede zodra hij niet meer genoeg energie levert voor werkzaamheden die eerder moeiteloos konden worden verricht. Als u de accu voor de eerste keer of na langdurige opslag oplaadt, zal deze slechts voor ca. 80% worden opgeladen. Na een aantal laad- en ontlad-cycli wordt de accu echter compleet opgeladen. Tijdens het opladen kan de accu warm aanvoelen. Dit is normaal en duidt niet op een defect.

Waarschuwing! Laad de accu niet op bij omgevings-temperaturen onder 10 °C of boven 40 °C.

Aanbevolen oplaadtemperatuur: ca. 24 °C.

- ◆ Trek de afdekplaat van het stopcontact (19) naar buiten.
- ◆ Steek de opladerstekker (20) in de aansluiting (21) aan de achterzijde van het apparaat.
- ◆ Steek de stekker van de oplader in het stopcontact.
- ◆ Schakel het apparaat in.
- ◆ Laat het apparaat 14-18 uur aangesloten om op te laden.

Tijdens het opladen kan de oplader warm worden.

Dit is normaal en duidt niet op problemen. Het apparaat kan voor onbepaalde tijd op de oplader aangesloten blijven.

- ◆ Haal voordat u het apparaat in gebruik neemt de oplader uit het stopcontact en koppel het apparaat van de oplader los.
- ◆ Plaats de dekplaat van de opladeraansluiting (19) terug.

Waarschuwing! Het apparaat werkt niet zolang het op de oplader is aangesloten.

Het reservoir vullen (fig. D1)

- ◆ Draai de reservoirdop (5) los.
- ◆ Verwijder de zuigslang (6) uit het reservoir (9).
- ◆ Vul het reservoir met een geschikte vloeistof.

Waarschuwing! Gebruik alleen geschikte chemicaliën zoals beschreven in de veiligheidsvoorschriften.

In- en uitschakelen

- ◆ Druk op de knop (1) om het apparaat in te schakelen (1).
- ◆ Laat de knop (1) los om het apparaat uit te schakelen.

Waarschuwing!

- ◆ Sproei altijd met de wind mee en van mensen en dieren af.
- ◆ Gebruik alleen de door de fabrikant aangegeven spuitmond.
- ◆ Schakel als de spuitmond verstopt zit het apparaat onmiddellijk uit.

Reinigen en onderhoud

Waarschuwing!

- ◆ Sla geen chemicaliën in het apparaat op.
- ◆ Gebruik geen bijtende of schurende reinigingsmiddelen.
- ◆ Lees altijd de instructies van de fabrikant op het door u gebruikte reinigingsmiddel en volg deze op.
- ◆ Voer de vervuilde vloeistof volgens de lokale voorschriften af.

Het reservoir reinigen

Reinig het apparaat na gebruik.

- ◆ De opvoerpomp verwijderen (8).
- ◆ Tap eventuele resterende vloeistof in de oorspronkelijke bak af of sla het in een geschikte bak op.
- ◆ Vul het reservoir (9) tot 1/3 van de inhoud met schoon water en zeep.

Waarschuwing! Gebruik geen brandbare vloeistoffen voor het reinigen.

- ◆ Plaats de opvoerpomp terug (8).
- ◆ Sproei tot het reservoir (9) leeg is.
- ◆ Herhaal de voorgaande instructies zo vaak als nodig is.

De filter reinigen (fig. D1)

Als de vloeistofstroom zwakker wordt, kan de filter verstopt zijn. Ga voor het reinigen van de filter als volgt te werk:

- ◆ Draai de reservoirdop (5) los.
- ◆ Verwijder de zuigslang (6) uit het reservoir (9).
- ◆ Reinig de filter met warm sop.

Opslaan (fig. G & H)

Waarschuwing! Bewaar niet op plaatsen waar de temperatuur lager is dan 0 °C.

- ◆ Reinig en droog alle onderdelen van het apparaat als het langer dan één dag niet wordt gebruikt.
- ◆ Zet de hendel van het verlengstuk (4) in de zijklemmen (22) vast (fig. G).
- ◆ Zet de slang (23) met het klittenband (24) aan de opvoerpomp (8) vast (fig. H).

Accessoires

De prestaties van uw apparaat hangen af van welke accessoire u gebruikt. Black & Decker en Piranha accessoires zijn ontwikkeld volgens hoge kwaliteitseisen en bedoeld om de prestaties van uw apparaat te verbeteren. Deze accessoires garanderen optimale werking van uw apparaat.

Storingen verhelpen

Controleer wanneer het apparaat niet goed werkt het volgende:

Storing	Mogelijke oorzaak	Maatregel
De vloeistofstroom wordt zwakker of stopt.	Filter verstopt. Zwakke accu. De zuigslang is niet maximaal in het reservoir gebracht.	Controleer de filter aan het einde van de zuigslang. Reinig de filter met warm sop. Laad de accu op. Duw de zuigslang maximaal omlaag.
Het apparaat start niet.	De accu is niet opgeladen.	Controleer de eisen voor het opladen van de accu.

Milieu



Gescheiden inzameling. Dit product mag niet met het gewone huishoudelijke afval worden weggegooid.

Wanneer uw oude Black & Decker-product aan vervanging toe is of het u niet langer van dienst kan zijn, gooi het dan niet bij het huishoudelijk afval. Zorg ervoor dat het product gescheiden kan worden ingezameld.



Door gebruikte producten en verpakkingen gescheiden in te zamelen, worden de materialen gerecycled en opnieuw gebruikt. Hergebruik van gerecyclede materialen voorkomt milieuvervuiling en vermindert de vraag naar grondstoffen.

Inzamelpunten voor gescheiden inzameling van elektrische huishoudproducten bij gemeentelijke vuilnisbergen of bij de verkoper waar u een nieuw product koopt, kunnen aan plaatselijke voorschriften gebonden zijn.

Black & Decker biedt de mogelijkheid tot inzamelen en recyclen van afgedankte Black & Decker producten. Om gebruik van deze service te maken, dient u het product aan een van onze servicecentra te sturen, die voor ons de inzameling verzorgen.

U kunt het adres van het dichtstbijzijnde servicecentrum opvragen via de adressen op de achterzijde van deze handleiding. U kunt ook een lijst van onze servicecentra en meer informatie m.b.t. onze klantenservice vinden op het volgende Internet-adres: www.2helpU.com

Accu (fig. I & J)



Black & Decker accu's kunnen vele malen opnieuw worden opgeladen. Verwijder als u het apparaat zelf wilt weggooien de accu zoals hieronder beschreven en voer deze vervolgens in overeenstemming met de plaatselijke voorschriften af.

Waarschuwing!

- ◆ Koppel voordat u de accu verwijdert het apparaat los van de voeding.
- ◆ Sluit de accupolen niet kort.
- ◆ Gooi de accu niet weg in vuur. Dit kan een explosie veroorzaken.
- ◆ Maak bij voorkeur de accu leeg door het apparaat te gebruiken tot de motor stopt.
- ◆ De opvoerpomp verwijderen (8).
- ◆ Verwijder de schroeven (25) uit de onderkant (fig. I).
- ◆ Verwijder de schroeven (26) uit de zijkant.
- ◆ Open de behuizing.
- ◆ Verwijder beide zijden van de behuizing (27).
- ◆ Verwijder het accudeksel (28) (fig. J).
- ◆ Trek de accu uit het apparaat.
- ◆ Trek de poolklemmen (29) los.
- ◆ Berg de accu in een geschikte verpakking op, zodat de polen niet kunnen worden kortgesloten.
- ◆ Breng de accu naar uw handelaar of naar een plaatselijk verwerkingscentrum voor klein chemisch afval.
De ingezamelde accu's worden op milieuvriendelijke wijze gerecycleerd of verwijderd.

Technische gegevens

GSC500 H2	
Spanning	V _{DC} 14,4
Capaciteit	l 4,7
Gewicht	kg 2

Oplader

VA170020D	
Netspanning	V _{AC} 230
Netspanning	V _{AC} 17
Amperage	mA 200
Gemiddelde oplaadtijd	h 14-18
Gewicht	kg 0,2

Niveau van de geluidsdruk volgens EN 60745:

Geluidsdruk (L_{pa}) 76,5 dB(A), onzekerheid (K) 3 dB(A)

Geluidsvermogen (L_{WA}) 87,5 dB(A), onzekerheid (K) 3 dB(A)

Totale trillingswaarden (triaxiale vectorsom) volgens EN 60745:

Gewogen kwadratische gemiddelde waarde van de versnelling 0,26 m/s²

Garantie

Black & Decker heeft vertrouwen in zijn producten en biedt een uitstekende garantie. Deze garantiebepalingen vormen een aanvulling op uw wettelijke rechten en beperken deze niet. De garantie geldt in de lidstaten van de Europese Unie en de Europese Vrijhandelsassociatie.

Mocht uw Black & Decker product binnen 24 maanden na datum van aankoop defect raken tengevolge van materiaal- of constructiefouten, dan garanderen wij de kosteloze vervanging van defecte onderdelen, de reparatie van het product of de vervanging van het product, tenzij:

- ◆ Het product is gebruikt voor handelsdoeleinden, professionele toepassingen of verhuurdoeleinden;
- ◆ Het product onoordeelkundig is gebruikt;
- ◆ Het product is beschadigd door invloeden van buitenaf of door een ongeval;
- ◆ Reparaties zijn uitgevoerd door anderen dan onze servicecentra of Black & Decker personeel.

Om een beroep op de garantie te doen, dient u een aankoopbewijs te overhandigen aan de verkoper of een van onze servicecentra. U kunt het adres van het dichtstbijzijnde servicecentrum opvragen via de adressen op de achterzijde van deze handleiding. U kunt ook een lijst van onze servicecentra en meer informatie m.b.t. onze klantenservice vinden op het volgende Internet-adres: **www.2helpU.com**

Meld u aan op onze website **www.blackanddecker.nl** om te worden geïnformeerd over nieuwe producten en speciale aanbiedingen. Verdere informatie over het merk Black & Decker en onze producten vindt u op **www.blackanddecker.nl**

Finalidad

El fumigador Black & Decker se ha diseñado para fumigar distintos productos químicos con base de agua para hierba y jardín como insecticidas, fungicidas, herbicidas y fertilizantes. Este producto está pensado para su uso doméstico únicamente.

Normas de seguridad generales

¡Atención!

- ◆ Lea todas las instrucciones, incluidas las fichas de datos de seguridad (MSDS) y las etiquetas del recipiente donde se proporcionan los productos químicos.
- ◆ Lea todas las advertencias de seguridad designadas con el símbolo m, las fichas de datos de seguridad (MSDS), las etiquetas del recipiente donde se proporcionan los productos químicos y todas las instrucciones.
- ◆ Lea íntegramente estas instrucciones. En caso de no atenderse a las instrucciones de seguridad siguientes, ello puede dar lugar a una descarga eléctrica, incendio o lesión grave. El término "herramienta eléctrica" empleado en las advertencias indicadas a continuación se refiere a la herramienta eléctrica con alimentación de red (con cable) o alimentada por pila (sin cable).

GUARDE ESTAS INSTRUCCIONES EN UN LUGAR SEGURO.

1. Seguridad del área de trabajo

- a. **Mantenga limpia y bien iluminada el área de trabajo.**
El desorden y una iluminación deficiente en las áreas de trabajo pueden provocar accidentes.
- b. **No utilice la herramienta eléctrica en un entorno con peligro de explosión, en el que se encuentren combustibles líquidos, gases o material en polvo.**
Las herramientas eléctricas producen chispas que pueden llegar a inflamar los materiales en polvo o vapores.
- c. **Mantenga alejados a los niños y otras personas del área de trabajo al emplear la herramienta eléctrica.**
Una distracción le puede hacer perder el control.

2. Seguridad eléctrica

- a. **El enchufe de la herramienta eléctrica debe corresponder a la toma de corriente utilizada. No es admisible modificar el enchufe en forma alguna. No emplee adaptadores en herramientas eléctricas dotadas con una toma de tierra.** Los enchufes sin modificar adecuados a las respectivas tomas de corriente reducen el riesgo de una descarga eléctrica.
- b. **Evite que su cuerpo toque partes conectadas a tierra como tuberías, radiadores, cocinas y refrigeradores.** El riesgo a quedar expuesto a una descarga eléctrica es mayor si su cuerpo tiene contacto con tierra.

- c. **No exponga las herramientas eléctricas a la lluvia y evite que penetren líquidos en su interior.** Existe el peligro de recibir una descarga eléctrica si penetran ciertos líquidos en la herramienta eléctrica.
- d. **Cuide el cable eléctrico. No utilice el cable eléctrico para transportar o colgar la herramienta eléctrica, ni tire de él para sacar el enchufe de la toma de corriente. Mantenga el cable eléctrico alejado del calor, aceite, bordes afilados o piezas móviles.** Los cables eléctricos dañados o enredados pueden provocar una descarga eléctrica.
- e. **Al trabajar con la herramienta eléctrica en la intemperie utilice solamente cables alargadores homologados para su uso en exteriores.** La utilización de un cable alargador adecuado para su uso en exteriores reduce el riesgo de una descarga eléctrica.

3. Seguridad personal

- a. **Esté atento a lo que hace y emplee la herramienta eléctrica con prudencia. No utilice la herramienta eléctrica si estuviese cansado, ni tampoco después de haber consumido alcohol, drogas o medicamentos.** El no estar atento durante el uso de una herramienta eléctrica puede provocar serias lesiones.
- b. **Utilice un equipo de protección Lleve siempre protección ocular.** El riesgo a lesionarse se reduce considerablemente si, dependiendo del tipo y la aplicación de la herramienta eléctrica empleada, se utiliza un equipo de protección adecuado como una mascarilla antipolvo, zapatos de seguridad con suela antideslizante, casco o protectores auditivos.
- c. **Evite una puesta en marcha accidental de la herramienta. Compruebe que el interruptor esté en la posición de apagado antes de enchufar la herramienta.** Transportar la herramienta eléctrica con el dedo sobre el interruptor o enchufarla con el interruptor encendido puede provocar accidentes.
- d. **Retire las herramientas de ajuste o llaves fijas antes de conectar la herramienta eléctrica.** Una herramienta o llave colocada en una pieza giratoria de la herramienta eléctrica puede producir lesiones al ponerse a funcionar.
- e. **Sea precavido. Mantenga un apoyo firme sobre el suelo y conserve el equilibrio en todo momento.** Ello le permitirá controlar mejor la herramienta eléctrica en caso de presentarse una situación inesperada.
- f. **Lleve una indumentaria de trabajo adecuada. No lleve ropa ancha ni joyas. Mantenga su pelo, vestimenta y guantes alejados de las piezas móviles.** La vestimenta suelta, las joyas y el pelo largo se pueden enganchar con las piezas en movimiento.

g. **Siempre que sea posible utilizar unos equipos de aspiración o captación de polvo, asegúrese que éstos estén montados y que sean utilizados correctamente.** El empleo de estos equipos reduce los riesgos derivados del polvo.

4. **Uso y cuidado de herramientas eléctricas**

- a. **No sobrecargue la herramienta eléctrica. Use la herramienta eléctrica prevista para el trabajo a realizar.** Con la herramienta eléctrica adecuada podrá trabajar mejor y más seguro dentro del margen de potencia indicado.
- b. **No utilice herramientas eléctricas con un interruptor defectuoso.** Las herramientas eléctricas que no se puedan conectar o desconectar son peligrosas y deben hacerse reparar.
- c. **Saque el enchufe de la red antes de realizar un ajuste en la herramienta eléctrica, cambiar de accesorio o al guardar la herramienta eléctrica.** Esta medida preventiva reduce el riesgo de conectar accidentalmente la herramienta eléctrica.
- d. **Guarde las herramientas eléctricas fuera del alcance de los niños y de las personas que no estén familiarizadas con su uso.** Las herramientas eléctricas utilizadas por personas inexpertas son peligrosas.
- e. **Cuide sus herramientas eléctricas con esmero. Controle si funcionan correctamente, sin atascarse, las partes móviles de la herramienta eléctrica, y si existen partes rotas o deterioradas que pudieran afectar al funcionamiento de la herramienta. Si la herramienta eléctrica estuviese defectuosa haga que la reparen antes de volver a utilizarla.** Muchos accidentes se deben a herramientas eléctricas con un mantenimiento deficiente.
- f. **Mantenga las herramientas de corte limpias y afiladas.** Las herramientas de corte mantenidas correctamente se dejan guiar y controlar mejor.
- g. **Utilice la herramienta eléctrica, los accesorios y útiles de herramienta, etc. de acuerdo con estas instrucciones y en la manera indicada específicamente para esta herramienta eléctrica. Considere en ello las condiciones de trabajo y la tarea a realizar.** El uso de herramientas eléctricas para trabajos diferentes de aquellos para los que han sido concebidas puede resultar peligroso.

5. **Uso y cuidado de herramientas con batería**

- a. **Cerciórese de que el aparato esté desconectado antes introducir la batería.** No introduzca la batería en la herramienta eléctrica con el interruptor encendido ya que puede provocar accidentes.
- b. **Recargue la batería únicamente con el cargador especificado por el fabricante.** Un cargador adecuado para un tipo de batería puede provocar un incendio si se utiliza con otra batería.

- c. **Use las herramientas eléctricas únicamente con las baterías específicamente designadas.** El uso de cualquier otra batería puede provocar lesiones o un incendio.
- d. **Cuando no utilice la batería, manténgala alejada de objetos metálicos como clips, monedas, llaves, clavos, tornillos, o cualquier otro objeto metálico pequeño que pueda dar lugar a una conexión entre los bornes.** El cortocircuito entre los terminales de la batería puede ocasionar quemaduras o un incendio.
- e. **Un mal uso puede dar lugar a que la batería pierda líquido; evite cualquier contacto con el líquido. Si accidentalmente entra en contacto con el líquido, enjuáguese con agua. Si le entra líquido en los ojos, busque rápidamente asistencia médica.** El líquido que pierde la batería puede ocasionar irritación o quemaduras.

6. **Servicio técnico**

- a. **Haga reparar su herramienta eléctrica sólo por personal técnico autorizado que emplee exclusivamente piezas de repuesto originales.** Solamente así se garantiza la seguridad de la herramienta eléctrica.

Instrucciones de seguridad adicionales

¡Atención!

- ◆ Lea todas las instrucciones y precauciones de seguridad del equipo y el producto de fumigado antes de manejar el equipo.
- ◆ Cumpla la normativa nacional, regional o local relativa a la ventilación, la prevención de incendios y el manejo.
- ◆ Mantenga el fumigador fuera del alcance de los niños
- ◆ Se recomienda protección auditiva para un uso extensivo.
- ◆ Utilice protección ocular para evitar que entren partículas en los ojos.

Vapores peligrosos

Los insecticidas y otros productos pueden resultar nocivos en caso de inhalación provocando náuseas, desmayos o envenenamiento.

- a. Utilice un respirador o máscara si existe la posibilidad de que se inhalen vapores. Lea todas las instrucciones del producto de fumigado y la máscara para asegurarse de proporcionar la protección necesaria contra la inhalación de vapores nocivos.

Instrucciones de seguridad adicionales para fumigadores

Encontrará los siguientes símbolos de advertencia en el aparato:



No exponga el aparato a la lluvia o a una humedad elevada.



Antes de iniciar las operaciones, lea el manual.



No arroje al fuego.



Mantenga alejados a los transeúntes.



Lleve gafas de cristal inastillable o protectoras cuando utilice esta herramienta.



Lleve un respirador o una máscara.



Utilice únicamente líquidos no inflamables.

¡Atención!

- ◆ Antes de utilizar un pesticida u otros productos de fumigado en este fumigador, lea detenidamente la etiqueta de su recipiente original y siga todas sus indicaciones. Algunos productos de fumigado pueden ser peligrosos y no deben ser utilizados en este fumigador ya que podrían provocar daños en el aparato y lesiones corporales graves o daños materiales.
- ◆ Antes del uso, asegúrese de que cualquier persona que utilice este fumigador haya leído y entienda todas las instrucciones de seguridad y otra información contenida en este manual.
- ◆ No maneje aparatos de jardinería en atmósferas gaseosas o explosivas. Los motores de estos aparatos normalmente sueltan chispas y éstas podrían inflamar los vapores.
- ◆ No utilice productos químicos a granel o para fines comerciales o industriales. Utilice únicamente productos químicos de consumo con base de agua para hierba y jardín.
- ◆ No utilice líquidos cáusticos (álcalis) que puedan autocalentarse o corrosivos (ácidos) en este fumigador ya que éstos pueden corroer las piezas de metal o debilitar el tubo flexible y las juntas.
- ◆ No utilice líquidos calientes o en ebullición en este fumigador ya que esto puede debilitar el tubo flexible y las juntas.
- ◆ No deje restos ni producto de fumigado en el depósito después de utilizar el fumigador.
- ◆ No fume mientras fumiga ni fumigue cuando haya presencia de chispas o llamas.
- ◆ Realice una inspección exhaustiva del interior y el exterior del fumigador antes de cada uso.
- ◆ Vacíe, limpie y drene tanto el depósito como el tubo flexible después de cada uso según las indicaciones.
- ◆ No utilice pistolas para fumigar productos inflamables.
- ◆ No fumigue productos cuando desconozca el riesgo de su uso.
- ◆ Utilice únicamente líquidos no inflamables.

Seguridad personal

- a. **Deben utilizarse equipos de seguridad personal adicionales como guantes adecuados y un respirador o máscara cuando se manipulen productos químicos.**
Los equipos de seguridad utilizados en las condiciones adecuadas reducirán el riesgo de lesiones personales.
- b. **No se fumigue a sí mismo ni a ninguna otra persona o animal. Mantenga las manos y otras partes del cuerpo alejadas de la descarga. En caso de inyección cutánea, acuda a un médico inmediatamente.**
El material fumigado podría perforar la piel e inyectarse en su cuerpo.
- c. **No considere una inyección como un simple corte.**
El producto fumigado podría inyectar toxinas en el organismo y provocar lesiones corporales graves. En caso de producirse tal inyección, acuda a un médico inmediatamente.
- d. **Considere todos los riesgos que presenta el producto que se va a fumigar. Consulte el etiquetado del recipiente o la información proporcionada por el proveedor del producto de fumigado, incluidos los requisitos para el uso de equipos personales de protección.** Deben seguirse las instrucciones del fabricante para reducir el riesgo de incendio y lesiones personales, derivados de toxinas, carcinógenos, etc.

Riesgos residuales

El uso de esta herramienta puede producir riesgos residuales adicionales no incluidos en las advertencias de seguridad adjuntas. Estos riesgos se pueden generar por un uso incorrecto, demasiado prolongado, etc.

El cumplimiento de las normas de seguridad correspondientes y el uso de dispositivos de seguridad no evitan ciertos riesgos residuales. Estos riesgos incluyen:

- ◆ Lesiones producidas por el contacto con piezas móviles o giratorias.
- ◆ Lesiones producidas al cambiar cualquier pieza, cuchilla o accesorio.
- ◆ Lesiones producidas al usar una herramienta por un tiempo demasiado prolongado. Si utiliza una herramienta durante períodos de tiempo demasiado prolongados, asegúrese de realizar pausas con frecuencia.
- ◆ Discapacidad auditiva.
- ◆ Riesgos para la salud producidos al respirar el polvo que se genera al usar la herramienta (por ejemplo: en los trabajos con madera, especialmente de roble, haya y tableros de densidad mediana).

Seguridad de otras personas

- ◆ Este aparato no está destinado para ser utilizado por personas (niños incluidos) con capacidades físicas, sensoriales o mentales reducidas, o que carezcan de experiencia y conocimiento, a menos que reciban supervisión o instrucción respecto al uso del aparato por una persona responsable de su seguridad.
- ◆ Debe vigilarse a los niños para asegurarse de que no jueguen con el aparato.

Instrucciones de seguridad adicionales para baterías y cargadores

Baterías

- ◆ Nunca, por ningún motivo, trate de abrir las baterías.
- ◆ No exponga la batería al agua.
- ◆ No las almacene en lugares donde la temperatura pueda exceder los 40 °C.
- ◆ Cargue las baterías únicamente a temperaturas entre 10° y 40° C.
- ◆ Recargue utilizando únicamente el cargador suministrado con la herramienta.
- ◆ Cuando deseche las baterías, siga las instrucciones indicadas en la sección "Protección del medio ambiente".

Cargadores

- ◆ Use el cargador Black & Decker únicamente para cargar baterías del tipo suministrado. Otras baterías podrían estallar, causando daños y lesiones personales.
- ◆ Nunca intente cargar baterías no recargables.
- ◆ Sustituya inmediatamente los cables defectuosos.
- ◆ No exponga el cargador al agua.
- ◆ No abra el cargador.
- ◆ No manipule el cargador.



El cargador está pensado únicamente para su uso en interiores.



Antes de la utilización, lea el manual de instrucciones.



Transformador aislante a prueba de averías
La alimentación de corriente está separada eléctricamente de la salida del transformador.



El cargador se desconecta automáticamente si la temperatura ambiente es demasiado elevada. A consecuencia de esto el cargador quedará inoperativo. La unidad debe desconectarse del suministro de red y llevarse a un centro de servicio técnico autorizado para su reparación.

Seguridad eléctrica



El cargador lleva un doble aislamiento; por lo tanto no requiere una toma a tierra. Compruebe siempre que la tensión de la red corresponda al valor indicado en la placa de características.

¡Atención! Nunca intente sustituir el cargador por un enchufe normal a la red.

Características

1. Interruptor de encendido/apagado
2. Correa de transporte
3. Vara
4. Mango de la vara
5. Tapa del depósito
6. Tubo de aspiración
7. Boquilla
8. Cabezal de alimentación
9. Depósito

Montaje y ajuste

¡Atención! Asegúrese de que el fumigador esté apagado.

Fijación de la correa de transporte (fig. A)

- ◆ Fije los ganchos (10) de la correa (2) en las aberturas (11) del cabezal de alimentación.

Montaje de la vara del fumigador (fig. B)

- ◆ Introduzca la vara (3) en el mango de la vara (4) hasta que encaje en su posición.
- ◆ Apriete la tapa (12) en el mango.

Instalación de la boquilla (fig. C)

- ◆ Enrosque la boquilla (7) en la punta del mango (13).

Ajuste de la boquilla cónica

- ◆ Gire la boquilla (7) a la derecha para aplicaciones de vaporización fina.
- ◆ Gire la boquilla (7) a la izquierda para aplicaciones de vaporización gruesa.

Retirada y sustitución del cabezal de alimentación (fig. D & E)

- ◆ Desenrosque la tapa del depósito (5) (fig. D1).
- ◆ Retire el tubo de aspiración (6) del depósito (9).
- ◆ Suelte el cierre (14) presionándolo hacia abajo (fig. E).
- ◆ Levante la parte posterior del cabezal de alimentación (8) y muévalo hacia delante (fig. D2).
- ◆ Saque el cabezal de alimentación (8).
- ◆ Para conectar el cabezal de alimentación (8), alinee las ranuras (15) del cabezal de alimentación con las pestañas (16) de la parte superior del depósito (9) (fig. D2 & D3).

- ◆ Mueva hacia atrás el cabezal de alimentación (8) hasta que encaje en su posición.
- ◆ Fije el soporte (17) sobre el accesorio de cierre (18) (fig. E).
- ◆ Introduzca el saliente (14) hacia arriba hasta que encaje en su lugar.
- ◆ Coloque el tubo de aspiración (6) en el depósito.
- ◆ Vuelva a colocar la tapa del depósito (5) y apríetela.

Uso

¡Atención!

- ◆ Utilice un equipo de protección
- ◆ Fumigue únicamente en zonas bien ventiladas.
- ◆ Utilice únicamente los productos químicos indicados en las instrucciones de seguridad.

Carga de la batería (fig. F)

La batería debe cargarse antes de usarla por primera vez y siempre que no obtenga la suficiente potencia en trabajos que antes efectuaba con facilidad. Cuando cargue la batería por primera vez, o después de un prolongado almacenaje, sólo obtendrá una carga del 80%. Después de varios ciclos de carga y descarga, la batería alcanzará su capacidad máxima. Durante la carga, la batería podría calentarse; esto es normal y no indica ningún problema.

¡Atención! No cargue la batería a una temperatura ambiente inferior a 10 °C o superior a 40 °C.

Temperatura recomendada de carga: aprox. 24 °C.

- ◆ Saque la tapa de la toma (19).
- ◆ Inserte el enchufe del cargador (20) en el conector del cargador (21) de la parte trasera del aparato.
- ◆ Enchufe el cargador.
- ◆ Conecte la corriente de red.
- ◆ Deje el aparato conectado al cargador durante 14 - 18 horas. Durante la carga, el cargador puede llegar a calentarse. Esto es normal y no constituye ningún problema. El aparato puede dejarse conectado al cargador indefinidamente.
- ◆ Antes de utilizar el aparato, desenchufe el cargador y desconecte el aparato del mismo.
- ◆ Vuelva a colocar la tapa en la toma (19).

¡Atención! El aparato no funciona mientras está conectado al cargador.

Llenado del depósito (fig. D1)

- ◆ Desenrosque la tapa del depósito (5).
- ◆ Retire el tubo de aspiración (6) del depósito (9).
- ◆ Llène el depósito con el líquido adecuado.

¡Atención! Utilice únicamente los productos químicos adecuados que se indican en las instrucciones de seguridad.

Encendido y apagado

- ◆ Para encender, pulse el botón (1).
- ◆ Para apagar, suelte el botón (1).

¡Atención!

- ◆ Fumigue siempre en la dirección del viento, lejos de personas y animales.
- ◆ Utilice únicamente las boquillas especificadas por el fabricante.
- ◆ Si la boquilla se atasca, apague inmediatamente el aparato.

Limpieza y mantenimiento

¡Atención!

- ◆ No almacene productos químicos en el aparato.
- ◆ No utilice productos de limpieza agresivos o abrasivos.
- ◆ Lea siempre detenidamente y siga las instrucciones del fabricante del producto de limpieza que utilice.
- ◆ Deseche el líquido contaminado de conformidad con la normativa local.

Limpieza del depósito

El aparato debe limpiarse después del uso.

- ◆ Retirada del cabezal de alimentación (8).
- ◆ Si queda líquido, vacíe éste en el depósito original o almacénelo en un recipiente adecuado.
- ◆ Llène el depósito (9) a 1/3 de su volumen con agua limpia y jabón.

¡Atención! No utilice líquidos inflamables para la limpieza.

- ◆ Vuelva a colocar el cabezal de alimentación (8).
- ◆ Fumigue el contenido del depósito (9) hasta que éste esté vacío.
- ◆ Repita el procedimiento anterior tantas veces como sea necesario.

Limpieza del filtro (fig. D1)

Si el flujo de líquido de reduce, es posible que el filtro esté atascado. Para limpiar el filtro realice el siguiente procedimiento:

- ◆ Desenrosque la tapa del depósito (5).
- ◆ Retire el tubo de aspiración (6) del depósito (9).
- ◆ Limpie el filtro con agua templada jabonosa.

Almacenamiento (fig. G & H)

¡Atención! No almacene en lugares donde la temperatura pueda bajar de 0 °C.

- ◆ Limpie y seque todos los componentes del aparato cuando no vaya a utilizarlo durante más de un día.
- ◆ Fije el mango de la vara (4) en los ganchos laterales (22) (fig. G).
- ◆ Fije el tubo flexible (23) con la sujeción de Velcro (24) al cabezal de alimentación (8) (fig. H)

Accesorios

El rendimiento de la herramienta dependerá del accesorio utilizado. Los accesorios de Black & Decker y Piranha están fabricados según las más altas normas de calidad para aumentar el rendimiento de la herramienta. Utilizando estos accesorios, logrará aprovechar al máximo la herramienta.

Solución de problemas

Si la herramienta no funciona correctamente, compruebe lo siguiente:

Avería	Causa posible	Acción
El flujo de líquido se reduce o se detiene.	Filtro atascado.	Compruebe el filtro en el extremo del tubo de aspiración. Limpie el filtro con agua templada jabonosa.
	Batería descargada.	Recargue la batería.
	El tubo de aspiración no está introducido del todo en el depósito.	Introduzca el tubo de aspiración hasta abajo.
La unidad no se pone en marcha.	La batería no está cargada.	Compruebe los requisitos está cargada.

Protección del medio ambiente



Separación de desechos. Este producto no debe desecharse con la basura doméstica normal.

Si llega el momento de reemplazar su producto Black & Decker o éste ha dejado de tener utilidad para usted, no lo deseche con la basura doméstica normal. Asegúrese de que este producto se deseche por separado.



La separación de desechos de productos usados y embalajes permite que los materiales puedan reciclarse y reutilizarse. La reutilización de materiales reciclados ayuda a evitar la contaminación medioambiental y reduce la demanda de materias primas.

La normativa local puede prever la separación de desechos de productos eléctricos de uso doméstico en centros municipales de recogida de desechos o a través del distribuidor cuando adquiere un nuevo producto.

Black & Decker proporciona facilidades para la recogida y el reciclado de los productos Black & Decker que hayan llegado al final de su vida útil. Para hacer uso de este servicio, devuelva su producto a cualquier servicio técnico autorizado, que lo recogerá en nuestro nombre.

Pueden consultar la dirección de su servicio técnico más cercano poniéndose en contacto con la oficina local de Black & Decker en la dirección que se indica en este manual. Como alternativa, puede consultar en Internet la lista de servicios técnicos autorizados e información completa de nuestros servicios de posventa y contactos en la siguiente dirección: www.2helpU.com

Batería (fig. I & J)



Las baterías Black & Decker pueden recargarse muchas veces. Si desea deshacerse del producto usted mismo, debe extraer la batería como se describe a continuación y desecharla de acuerdo con la normativa local.

¡Atención!

- ◆ Desconecte el aparato del suministro de corriente antes de retirar la batería.
- ◆ No ponga en cortocircuito los terminales de las baterías.
- ◆ No arroje la batería al fuego ya que podría explotar.
- ◆ Preferiblemente, descargue la batería haciendo funcionar el aparato hasta que se pare el motor.
- ◆ Retirada del cabezal de alimentación (8).
- ◆ Retire los tornillos (25) de la parte inferior (fig. I).
- ◆ Retire los tornillos (26) del lateral.
- ◆ Abra la carcasa.
- ◆ Retire ambos laterales de la carcasa (27).
- ◆ Retire la tapa de la batería (28) (fig. J).
- ◆ Extraiga la batería del aparato.
- ◆ Quite las pinzas de los bornes (29).
- ◆ Coloque la batería en un embalaje adecuado para garantizar que sus bornes no puedan entrar en cortocircuito.
- ◆ Entregue las baterías al servicio técnico o depositelas en un centro local de reciclaje. Las baterías recogidas serán recicladas o adecuadamente desechadas.

Características técnicas

GSC500 H2	
Voltaje	V _{DC} 14,4
Capacidad	I 4,7
Peso	kg 2

Cargador

VA170020D	
Tensión de la red	V _{AC} 230
Voltaje de salida	V _{AC} 17
Amperaje	mA 200
Tiempo aproximado de carga	h 14-18
Peso	kg 0,2

Nivel de la presión acústica según EN 60745:

Presión acústica (L_{pa}) 76,5 dB(A), incertidumbre (K) 3 dB(A)
Potencia acústica (L_{wa}) 87,5 dB(A), incertidumbre (K) 3 dB(A)

Valores totales de vibración (suma de vector triaxial) según EN 60745:

Vibraciones soportadas en mano/brazo 0,26 m/s²

Garantía

Black & Decker confía plenamente en la calidad de sus productos y ofrece una garantía extraordinaria. Esta declaración de garantía es una añadido, y en ningún caso un perjuicio para sus derechos estatutarios. La garantía es válida dentro de los territorios de los Estados Miembros de la Unión Europea y de los de la Zona Europea de Libre Comercio.

Si un producto Black & Decker resultará defectuoso debido a materiales o mano de obra defectuosos o a la falta de conformidad, Black & Decker garantiza, dentro de los 24 meses de la fecha de compra, la sustitución de las piezas defectuosas, la reparación de los productos sujetos a un desgaste y rotura razonables o la sustitución de tales productos para garantizar al cliente el mínimo de inconvenientes, a menos que:

- ◆ El producto haya sido utilizado con propósitos comerciales, profesionales o de alquiler;
- ◆ El producto haya sido sometido a un uso inadecuado o negligente;
- ◆ El producto haya sufrido daños causados por objetos o sustancias extrañas o accidentes;
- ◆ Se hayan realizado reparaciones por parte de personas que no sean los servicios de reparación autorizados o personal de servicios de Black & Decker.

Para reclamar en garantía, será necesario que presente la prueba de compra al vendedor o al servicio técnico de reparaciones autorizado. Pueden consultar la dirección de su servicio técnico más cercano poniéndose en contacto con la oficina local de Black & Decker en la dirección que se indica en este manual. Como alternativa, se puede consultar en Internet, en la dirección siguiente, la lista de servicios técnicos autorizados e información completa de nuestros servicios de postventa y contactos:

www.2helpU.com

Visite nuestro sitio web **www.blackanddecker.eu** para registrar su nuevo producto Black & Decker y mantenerse al día sobre nuestros productos y ofertas especiales. Encontrará información adicional sobre la marca Black & Decker y nuestra gama de productos en **www.blackanddecker.eu**

Utilização

O seu pulverizador Black & Decker foi concebido para pulverizar uma série de químicos à base de água para relvados e jardim, tais como insecticidas, fungicidas, herbicidas e fertilizantes. Este produto destina-se exclusivamente ao uso doméstico.

Regras gerais de segurança

Advertência!

- ◆ Leia todas as instruções, incluindo as Fichas de Dados de Segurança (MSDS) e os rótulos das embalagens dos químicos.
- ◆ Leia todos os avisos de segurança indicados pelo símbolo m, Fichas de Dados de Segurança (MSDS), os rótulos das embalagens dos químicos e todas as instruções.
- ◆ Leia todas as instruções. O não cumprimento das instruções a seguir apresentadas pode resultar em choque eléctrico, incêndio e/ou graves lesões. O termo "ferramenta eléctrica", utilizado nas advertências que se seguem, refere-se a ferramentas eléctricas com ligação à corrente eléctrica (com fios) ou operadas a pilha (sem fios).

GUARDE ESTAS INSTRUÇÕES.

1. Segurança na área de trabalho

- a. **Mantenha a sua área de trabalho limpa e bem iluminada.** Desordem e áreas de trabalho com fraca iluminação podem causar acidentes.
- b. **Não utilize ferramentas eléctricas em áreas com risco de explosão, nas quais se encontrem líquidos, gases ou pós inflamáveis.** As ferramentas eléctricas produzem faíscas que podem provocar a ignição de pó e vapores.
- c. **Mantenha crianças e outras pessoas afastadas durante a utilização de ferramentas eléctricas.** As distrações podem dar origem a que perca o controlo do aparelho.

2. Segurança eléctrica

- a. **A ficha da ferramenta eléctrica deve caber na tomada. A ficha não deve ser modificada de modo algum. Não utilize quaisquer fichas de adaptação com ferramentas eléctricas ligadas à terra.** Fichas inalteradas e tomadas adequadas reduzem o risco de choques eléctricos.
- b. **Evite que o corpo entre em contacto com superfícies ligadas à terra, como por exemplo tubos, radiadores, fogões e frigoríficos.** Há um risco elevado de choques eléctricos, caso o corpo seja ligado à terra.
- c. **As ferramentas eléctricas não devem ser expostas à chuva nem a humidade.** A penetração de água numa ferramenta eléctrica aumenta o risco de choques eléctricos.

- d. **Manuseie o cabo com cuidado. O cabo da ferramenta eléctrica não deve ser utilizado para o transporte, para puxar a ferramenta, nem para retirar a ficha da tomada. Mantenha o cabo afastado de calor, óleo, cantos afiados ou peças em movimento.** Cabos danificados ou torcidos aumentam o risco de choques eléctricos.
- e. **Ao trabalhar com a ferramenta eléctrica ao ar livre, use um cabo de extensão apropriado para utilização no exterior.** O uso de um cabo apropriado para utilização no exterior reduz o risco de choques eléctricos.

3. Segurança pessoal

- a. **Mantenha-se atento, observe o que está a fazer e seja prudente durante a utilização de uma ferramenta eléctrica. Não use a ferramenta eléctrica se estiver cansado ou sob a influência de drogas, álcool ou medicamentos.** Um momento de falta de atenção durante a utilização de ferramentas eléctricas pode causar graves lesões.
- b. **Use equipamento de protecção pessoal. Utilize sempre óculos de protecção.** A utilização de equipamento de protecção pessoal, como por exemplo, máscara de protecção contra pó, sapatos de segurança anti-derrapantes, capacete de segurança ou protecção auricular, de acordo com o tipo e aplicação da ferramenta eléctrica, reduz o risco de lesões.
- c. **Evite um accionamento involuntário. Assegure-se de que o interruptor está na posição de desligado antes de ligar a ficha.** O transporte de ferramentas eléctricas com o dedo no interruptor ou a ligação das mesmas à corrente eléctrica com o interruptor ligado provoca acidentes.
- d. **Retire eventuais chaves de ajuste ou chaves de fenda, antes de ligar a ferramenta eléctrica.** Uma chave de fenda ou chave de ajuste, que se encontre numa peça móvel da ferramenta eléctrica, pode dar origem a lesões.
- e. **Não arrisque. Mantenha-se sempre bem posicionado e em equilíbrio.** Desta forma, poderá ser mais fácil controlar a ferramenta eléctrica em situações inesperadas.
- f. **Utilize vestuário adequado. Não utilize roupas largas nem jóias. Mantenha o cabelo, roupa e luvas afastados de peças em movimento.** Roupas largas, jóias ou cabelos longos podem ser ficar presos nas peças em movimento.
- g. **Se for prevista a montagem de dispositivos de extracção e recolha de pó, assegure-se de que estão ligados e que são utilizados de forma correcta.** A utilização destes dispositivos reduz os riscos provocados por pó.

4. **Utilização e manutenção da ferramenta eléctrica**
 - a. **Não sobrecarregue a ferramenta eléctrica. Utilize a ferramenta eléctrica correcta para o trabalho que irá realizar.** A ferramenta eléctrica correcta realizará o trabalho de forma melhor e mais segura dentro da potência indicada.
 - b. **Não utilize a ferramenta eléctrica se o interruptor não puder ser ligado nem desligado.** Qualquer ferramenta eléctrica que não possa ser controlada através do interruptor é perigosa e deve ser reparada.
 - c. **Desligue a ficha da tomada antes de efectuar ajustes na ferramenta, substituir acessórios ou armazenar a ferramenta eléctrica.** Esta medida de segurança evita que a ferramenta eléctrica seja ligada acidentalmente.
 - d. **Mantenha as ferramentas eléctricas que não estiverem a ser utilizadas fora do alcance de crianças.** Não permita que a ferramenta eléctrica seja utilizada por pessoas não familiarizadas com a mesma ou que não tenham lido estas instruções. As ferramentas eléctricas são perigosas se utilizadas por pessoas não qualificadas.
 - e. **Efectue a manutenção das ferramentas eléctricas.** Verifique se as peças móveis funcionam perfeitamente e não emperram, bem como se há peças quebradas ou danificadas que possam influenciar o funcionamento da ferramenta eléctrica. Em caso de danos, solicite a reparação da ferramenta eléctrica antes da sua utilização. Muitos acidentes têm como causa uma manutenção insuficiente das ferramentas eléctricas.
 - f. **Mantenha as ferramentas de corte sempre afiadas e limpas.** As ferramentas de corte, sujeitas a uma manutenção adequada e com extremidades de corte afiadas, emperram com menos frequência e podem ser controladas com maior facilidade.
 - g. **Utilize a ferramenta eléctrica, os acessórios e as brocas da ferramenta, etc. de acordo com estas instruções e da maneira determinada para a ferramenta em questão. Considere também as condições de trabalho e o trabalho a ser efectuado.** A utilização da ferramenta eléctrica para outros fins que não os previstos pode resultar em situações perigosas.
5. **Utilização e manutenção da bateria**
 - a. **Assegure-se de que o interruptor está na posição de desligado antes de introduzir a ficha na tomada.** A colocação da bateria nas ferramentas eléctricas com o interruptor ligado pode causar acidentes.
 - b. **Recarregue apenas com o carregador especificado pelo fabricante.** Um carregador que seja adequado a um tipo de bateria pode causar risco de incêndio quando utilizado com outro tipo de bateria.

- c. **Utilize as ferramentas eléctricas apenas com as baterias especificamente designadas.** A utilização de outro tipo de bateria pode causar risco de ferimentos e incêndio.
 - d. **Quando a bateria não está a ser utilizada, mantenha-a afastada de quaisquer outros objectos metálicos, como clips de papel, moedas, chaves, pregos, parafusos ou outros objectos metálicos pequenos que possam efectuar a ligação de um terminal para outro.** O contacto de ambos os terminais da bateria pode causar queimaduras ou incêndio.
 - e. **Em condições abusivas, o líquido pode ser ejectado da bateria; evite o contacto. Caso isso aconteça, lave com água. Caso o líquido entre em contacto com os olhos, procure ajuda médica.** O líquido ejectado da bateria pode causar irritação ou queimaduras.
6. **Reparação**
 - a. **A sua ferramenta eléctrica só deve ser reparada por pessoal qualificado e só devem ser colocadas peças sobressalentes originais.** Desta forma, é assegurada a segurança da ferramenta eléctrica.

Instruções de segurança adicionais Advertência!

- ◆ Leia todas as instruções e precauções de segurança relativas ao equipamento e material de pulverização antes de utilizar qualquer tipo de equipamento.
- ◆ Cumpra todas as normas locais e nacionais relativas a ventilação, prevenção de incêndios e utilização.
- ◆ Mantenha o pulverizador fora do alcance das crianças.
- ◆ Recomenda-se a utilização de protecção auricular em caso de utilização prolongada.
- ◆ Utilize óculos de protecção para impedir a entrada de partículas nos olhos.

Vapores perigosos

Os insecticidas e outros materiais poderão ser perigosos em caso de inalação, provocando fortes enjoos, desmaios ou envenenamento.

- a. Utilize um respirador ou uma máscara sempre que exista a possibilidade de inalação de vapores. Leia todas as instruções fornecidas com o material a pulverizar e a máscara para garantir que está devidamente protegido contra a inalação de vapores perigosos.

Instruções adicionais de segurança para pulverizadores

Os símbolos de advertência a seguir encontram-se no aparelho:



Não exponha o aparelho à chuva nem humidade excessiva.



Leia o manual antes de o utilizar.



Não queime.



Mantenha as outras pessoas afastadas.



Utilize óculos de segurança durante o funcionamento da ferramenta.



Utilize um respirador ou uma máscara.



Utilize apenas líquidos não inflamáveis.

Advertência!

- ◆ Antes de utilizar qualquer pesticida ou outro tipo de material pulverizável, leia atentamente o rótulo da respectiva embalagem e siga as instruções constantes no mesmo. Alguns materiais pulverizáveis são perigosos e não devem ser utilizados neste pulverizados uma vez que o podem danificar e provocar lesões graves no utilizador ou danos em bens.
- ◆ Antes de qualquer tipo de utilização, certifique-se que qualquer pessoa que utilize este pulverizador lê e compreende todas as instruções de segurança e outras informações contidas neste manual.
- ◆ Não utilize o aparelhos de jardinagem em atmosferas gasosas ou explosivas. Os motores destes aparelhos normalmente produzem faíscas e estas poderão incendiar os vapores.
- ◆ Não utilize químicos comerciais nem para fins comerciais ou industriais. Utilize apenas químicos à base de água para relvados e jardim para fins domésticos.
- ◆ Não utilize líquidos cáusticos (álcali), de autoaquecimento ou corrosivos (ácidos) neste pulverizador pois podem corroer as peças metálicas ou enfraquecer mangueiras e vedantes.
- ◆ Não utilize líquidos quentes ou a ferver no pulverizador pois podem enfraquecer o reservatório e a mangueira.
- ◆ Não deixe resíduos ou material pulverizável no reservatório depois de utilizar o pulverizador.
- ◆ Não fume durante a pulverização nem pulverize em locais onde existam faíscas ou chamas.
- ◆ Inspeccione atentamente o interior e exterior do pulverizador antes de cada utilização.
- ◆ Esvazie, limpe e drene o reservatório e a mangueira após cada utilização de acordo com as instruções.
- ◆ Não utilize pistolas para pulverizar materiais inflamáveis.

- ◆ Não pulverize qualquer material para o qual não saiba se constitui um risco.
- ◆ Utilize apenas líquidos não inflamáveis.

Segurança pessoal

- a. **Durante o manuseamento de químicos, é necessário utilizar equipamento de protecção pessoal adicional como, por exemplo, luvas adequadas e um respirador ou máscara.** A utilização de equipamento de protecção pessoal para as condições adequadas reduzirá a ocorrência de ferimentos pessoais.
- b. **Não se pulverize a si, a qualquer outra pessoa ou animal. Mantenha as mãos e o corpo afastados do ponto de descarga. Em caso de injeção na pele, procure imediatamente um médico.** O material pulverizado poderá perfurar a pele e ser injectado no seu corpo.
- c. **Não trate uma injeção como um simples corte.** O pulverizador é capaz de injectar toxinas no corpo e resultar em lesões graves. Em caso de injeção, procure imediatamente um médico.
- d. **Tenha em atenção quaisquer riscos presentes no material a pulverizar. Consulte as marcas no recipiente ou as informações fornecidas pelo fabricante do material a pulverizar, incluindo a necessidade de utilização de equipamento de protecção pessoal.** É necessário seguirem-se as instruções do fabricante a fim de reduzir o risco de incêndio ou ferimentos pessoais, resultantes de toxinas, carcinógenos, etc.

Riscos residuais

Podem surgir riscos residuais adicionais durante a utilização da ferramenta que poderão não constar nos avisos de segurança incluídos. Estes riscos podem resultar de má utilização, uso prolongado, etc.

Mesmo com a aplicação dos regulamentos de segurança relevantes e com a implementação de dispositivos de segurança, alguns riscos residuais não podem ser evitados. Incluem:

- ◆ Ferimentos causados pelo contacto com peças em rotação/movimento.
- ◆ Ferimentos causados durante a troca de peças, lâminas ou acessórios.
- ◆ Ferimentos causados pela utilização prolongada de uma ferramenta. Quando utilizar uma ferramenta por períodos prolongados, faça intervalos regulares.
- ◆ Diminuição da audição.
- ◆ Problemas de saúde causados pela inalação de poeiras resultantes da utilização da ferramenta (exemplo: trabalhos em madeira, especialmente carvalho, faia e MDF).

Segurança de outras pessoas

- ◆ Este aparelho não se destina a ser utilizado por pessoas (incluindo crianças) com reduzidas capacidades físicas, sensoriais ou mentais ou falta de experiência e conhecimentos, a menos que tenham recebido instruções ou sejam supervisionadas relativamente à utilização do aparelho por uma pessoa responsável pela sua segurança.
- ◆ As crianças deverão ser vigiadas para que não brinquem no aparelho.

Instruções de segurança adicionais para baterias e carregadores

Baterias

- ◆ Nunca tente abrir a bateria seja qual for a razão.
- ◆ Não deixe que a bateria entre em contacto com a água.
- ◆ Não armazene em locais onde a temperatura possa exceder 40 °C.
- ◆ Carregue somente à temperatura ambiente, entre 10 °C e 40 °C.
- ◆ Carregue somente utilizando o carregador fornecido com a ferramenta.
- ◆ Siga as instruções fornecidas na secção "Protecção do meio ambiente" quando desejar desfazer-se das baterias.

Carregadores

- ◆ Utilize o seu carregador Black & Decker apenas para carregar as baterias do tipo fornecido com a sua ferramenta. Outras baterias poderiam explodir, causando ferimentos pessoais e danos.
- ◆ Nunca tente carregar baterias não recarregáveis.
- ◆ Substitua os cabos defeituosos imediatamente.
- ◆ Não deixe que o carregador entre em contacto com a água.
- ◆ Não abra o carregador.
- ◆ Não submeta o carregador a testes.



O carregador destina-se apenas a ser utilizado no interior.



Leia o manual de instruções antes de utilizar.



Transformador isolado contra falhas. A fonte de alimentação está electricamente separada da saída do transformador.



O carregador desliga-se automaticamente caso a temperatura ambiente fique demasiado elevada. Em consequência, o carregador fica inoperacional. A unidade deve ser desligada da fonte de alimentação de rede e levada para ser reparada num centro de reparação autorizado.

Segurança eléctrica



O seu carregador está duplamente isolado, pelo que não é necessário fio de terra. Verifique sempre se a tensão eléctrica corresponde à indicada na placa de especificações.

Advertência! Nunca tente substituir o carregador por uma tomada normal.

Características

1. Interruptor de ligar/desligar
2. Fita de transporte
3. Vareta
4. Punho da vareta
5. Tampa do reservatório
6. Tubo de sucção
7. Bocal
8. Cabeça de potência
9. Reservatório

Montagem e ajuste

Advertência! Assegure-se de que o pulverizador está desligado.

Colocação da fita de transporte (fig. A)

- ◆ Encaixe os fixadores (10) da fita (2) nas aberturas (11) da cabeça de potência.

Montagem da vareta de pulverização (fig. B)

- ◆ Insira a vareta (3) no punho da vareta (4) até encaixar em posição.
- ◆ Aperte a tampa (12) no punho.

Instalação do bocal (fig. C)

- ◆ Enrosque o bocal (7) na ponta do punho (13).

Ajuste do bocal tipo cone

- ◆ Rode o bocal (7) para a direita para obter um jacto tipo névoa estreita.
- ◆ Rode o bocal (7) para a esquerda para obter um jacto tipo névoa larga.

Remoção e instalação da cabeça de potência (fig. D & E)

- ◆ Desenrosque a tampa do reservatório (5) (fig. D1).
- ◆ Retire o tubo de sucção (6) do reservatório (9).
- ◆ Solte o trinco (14) empurrando-o para baixo (fig. E).
- ◆ Eleve a parte de trás da cabeça de potência (8) e desloque-a para a frente (fig. D2).
- ◆ Puxe a cabeça de potência (8) para fora.

- ◆ Para fixar a cabeça de potência (8), alinhe as ranhuras (15) existentes na cabeça de potência com as patilhas (16) existentes na parte superior do reservatório (9) (fig. D2 & D3).
- ◆ Desloque a cabeça de potência (8) para trás até encaixar.
- ◆ Encaixe o suporte (17) sobre o trinco (18) (fig. E).
- ◆ Empurre o rebordo (14) para cima até encaixar.
- ◆ Coloque o tubo de sucção (6) no reservatório.
- ◆ Recoloque a tampa do reservatório (5) e aperte-a.

Utilização

Advertência!

- ◆ Use equipamento de protecção pessoal.
- ◆ Pulverize apenas em áreas bem ventiladas.
- ◆ Utilize apenas os químicos recomendados, tal como descrito nas instruções de segurança.

Carregar a bateria (fig. F)

A bateria precisa ser carregada antes da primeira utilização e sempre que falhe em produzir potência suficiente para realizar trabalhos que antes eram facilmente realizados. Quando estiver a carregar a bateria pela primeira vez, ou após armazenamento prolongado, ela aceitará somente 80% da carga. Após vários ciclos de carga e descarga, a bateria atingirá sua capacidade total. A bateria pode ficar quente enquanto estiver a carregar; isto é normal e não indica um problema.

Advertência! Não carregue a bateria a temperaturas ambientes inferiores a 10 °C ou superiores a 40 °C.

A temperatura recomendada para carregar é de aproximadamente 24 °C.

- ◆ Puxe a cobertura da tomada (19) para fora.
- ◆ Insira a ficha do carregador (20) no conector do carregador (21) na parte traseira do aparelho.
- ◆ Ligue o carregador à corrente eléctrica.
- ◆ Ligue a corrente.
- ◆ Deixe o aparelho ligado ao carregador durante, no mínimo, 14 a 18 horas.

É possível que o carregador aqueça um pouco durante o processo de carga. Isso é normal e não indica qualquer problema. É possível deixar o aparelho ligado ao carregador indefinidamente.

- ◆ Antes de utilizar o aparelho, retire o carregador da tomada e desligue-o do aparelho.
- ◆ Volte a colocar a tampa da tomada (19).

Advertência! O aparelho não funciona enquanto permanecer ligado ao carregador.

Enchimento do reservatório (fig. D1)

- ◆ Desaperte a tampa do reservatório (5).
- ◆ Retire o tubo de sucção (6) do reservatório (9).
- ◆ Encha o reservatório com o líquido adequado.

Advertência! Utilize apenas os químicos apropriados, tal como descrito nas instruções de segurança.

Activação e desactivação

- ◆ Para activar, prima o botão (1).
- ◆ Para desactivar, solte o botão (1).

Advertência!

- ◆ Pulverize sempre na direcção do vento, afastado de pessoas e animais.
- ◆ Utilize apenas os bocais indicados pelo fabricante.
- ◆ Se o bocal entupir, desligue o aparelho imediatamente.

Limpeza e manutenção

Advertência!

- ◆ Não armazene químicos no aparelho.
- ◆ Não utilize produtos de limpeza agressivos nem abrasivos.
- ◆ Leia e siga sempre as instruções do fabricante do produto de limpeza que estiver a utilizar.
- ◆ Elimine o líquido contaminado de acordo com a legislação local.

Limpeza do reservatório

O aparelho deverá ser limpo após cada utilização.

- ◆ Retire a cabeça de potência (8).
- ◆ Se restar qualquer líquido no interior, drene-o para a embalagem original ou armazene-o num recipiente adequado.
- ◆ Encha o reservatório (9) a 1/3 do volume total com água limpa e detergente.

Advertência! Não utilize líquidos inflamáveis para a limpeza.

- ◆ Volte a colocar a cabeça de potência (8).
- ◆ Pulverize o conteúdo do reservatório (9) até o mesmo estar vazio.
- ◆ Repita o passo anterior as vezes necessárias.

Limpeza do filtro (fig. D1)

Se o fluxo de líquido diminuir, o filtro poderá estar obstruído.

Para limpar o filtro, proceda da seguinte forma:

- ◆ Desaperte a tampa do reservatório (5).
- ◆ Retire o tubo de sucção (6) do reservatório (9).
- ◆ Limpe o filtro com água morna com sabão.

Armazenamento (fig. G & H)

Advertência! Não armazene em locais onde a temperatura seja inferior a 0 °C.

- ◆ Limpe e seque todas as peças do aparelho quando não o utilizar por um período superior a um dia.
- ◆ Fixe o punho da vareta (4) utilizando os fixadores laterais (22) (fig. G).
- ◆ Encaixe o tubo (23) com o fixador de Velcro (24) à cabeça de potência (8) (fig. H).

Acessórios

O desempenho da sua ferramenta depende dos acessórios utilizados. Os acessórios da Black & Decker e Piranha são fabricados de acordo com os mais altos padrões de qualidade e são concebidos para melhorar o desempenho da sua ferramenta. Ao utilizar estes acessórios, poderá tirar um maior partido da sua ferramenta.

Resolução de problemas

Se a ferramenta não funcionar correctamente, verifique o seguinte.

Falha	Possível causa	Solução
O fluxo de líquido diminuiu ou pára.	Filtro obstruído.	Verifique o filtro na extremidade do tubo de sucção. Limpe o filtro com água morna com sabão.
	Bateria fraca.	Recarregue a bateria.
	Tubo de sucção não totalmente introduzido no reservatório.	Empurre o tubo de sucção totalmente para baixo.
A unidade não funciona.	Bateria não carregada.	Verifique os requisitos de carregamento da bateria.

Protecção do meio ambiente



Recolha em separado. Não deve deitar este produto fora juntamente com o lixo doméstico normal.

Caso chegue o momento em que um dos seus produtos Black & Decker precise de ser substituído ou decida desfazer-se do mesmo, não o deite fora juntamente com o lixo doméstico. Torne este produto disponível para uma recolha em separado.



A recolha em separado de produtos e embalagens utilizados permite que os materiais sejam reciclados e reutilizados. A reutilização de materiais reciclados ajuda a evitar a poluição ambiental e a reduzir a procura de matérias-primas.

Os regulamentos locais poderão providenciar a recolha em separado de produtos eléctricos junto das casas, em lixeiras municipais ou junto dos fornecedores ao adquirir um novo produto.

A Black & Decker oferece um serviço de recolha e reciclagem de produtos Black & Decker que tenha atingido o fim das suas vidas úteis. Para tirar proveito deste serviço, devolva seu produto a qualquer agente de reparação autorizado, que se encarregará de recolher o equipamento em nosso nome.

Para verificar a localização do agente de reparação mais próximo de si, contacte o escritório local da Black & Decker no endereço indicado neste manual. Se preferir, consulte a lista de agentes autorizados da Black & Decker e os dados completos dos nossos serviços de atendimento pós-venda na Internet no endereço: www.2helpU.com

Bateria (fig. I & J)



As baterias Black & Decker podem ser recarregadas inúmeras vezes. Caso deseje desfazer-se do produto por sua conta, remova a bateria conforme os procedimentos abaixo e descarte-a de acordo com as normas locais.

Advertência!

- ◆ Desligue o aparelho da fonte de alimentação antes de retirar a bateria.
- ◆ Não submeta os contactos das baterias a curto-circuito.
- ◆ Não queime a bateria pois resultaria em explosão.
- ◆ De preferência, descarregue a bateria deixando o motor a funcionar até parar.
- ◆ Retire a cabeça de potência (8).
- ◆ Retire os parafusos (25) da parte inferior (fig. I).
- ◆ Retire os parafusos (26) a parte lateral.
- ◆ Abra a estrutura.
- ◆ Retire ambos os lados da estrutura (27).
- ◆ Retire a tampa do compartimento da bateria (28) (fig. J).
- ◆ Retire a bateria do aparelho.
- ◆ Puxe os fixadores dos terminais (29) para fora.
- ◆ Coloque a bateria numa embalagem apropriada para garantir que os terminais não possam entrar em curto-circuito.
- ◆ Leve-a ao seu distribuidor ou a uma estação local de reciclagem. As baterias recolhidas deverão ser recicladas ou eliminadas de forma apropriada.

Dados técnicos

		GSC500 H2
Voltagem	V _{DC}	14,4
Capacidade	I	4,7
Peso	kg	2

Carregador

		VA170020D
Voltagem	V _{AC}	230
Voltagem de saída	V _{AC}	17
Amperagem	mA	200
Tempo aproximado de carregamento	h	14-18
Peso	kg	0,2

Nível de pressão de ruído segundo a EN 60745:Pressão acústica (L_{pA}) 76,5 dB(A), imprecisão (K) 3 dB(A)Potência acústica (L_{WA}) 87,5 dB(A), imprecisão (K) 3 dB(A)**Valores totais de vibração (soma vectorial triaxial) segundo a EN 60745:**Vibração medida da mão/braço 0,26 m/s²

Garantia

A Black & Decker confia na qualidade de seus produtos e oferece um programa de garantia excelente. Esta declaração de garantia soma-se aos seus direitos legais e não os prejudica em nenhum aspecto. A garantia será válida nos territórios dos Estados Membros da União Europeia e na Área de Livre Comércio da Europa.

Caso algum produto da Black & Decker apresente avarias devido a defeitos de material, mão-de-obra ou ausência de conformidade no prazo de 24 meses a partir da data de compra, a Black & Decker garantirá a substituição das peças defeituosas, a reparação dos produtos que foram submetidos a uso adequado e remoção ou substituição dos mesmos para assegurar o mínimo de inconvenientes ao cliente a menos que:

- ◆ O produto tenha sido utilizado para fins comerciais, profissionais ou aluguer;
- ◆ O produto tenha sido submetido a uso incorrecto ou descuido;
- ◆ O produto tenha sofrido danos causados por objectos estranhos, substâncias ou acidentes;
- ◆ Tenha um histórico de reparações efectuadas por terceiros que não sejam os agentes autorizados ou profissionais de manutenção da Black & Decker.

Para activar a garantia, será necessário enviar a prova de compra ao revendedor ou agente de reparação autorizado. Para verificar a localização do agente de reparação mais próximo de si contacte o escritório local da Black & Decker no endereço indicado neste manual. Se preferir, consulte a lista de agentes autorizados da Black & Decker e os dados completos de nossos serviços de atendimento pós-venda na Internet no endereço: **www.2helpU.com**

Visite o nosso website **www.blackanddecker.eu** para registar o seu novo produto Black & Decker e para se manter actualizado sobre novos produtos e ofertas especiais. Estão disponíveis mais informações sobre a Black & Decker e sobre a nossa gama de produtos em **www.blackanddecker.eu**

Användningsområde

Den här sprutan från Black & Decker är konstruerad för att sprida vattenbaserade kemikalier för gräsmattan och trädgården som insektsmedel, svampdödande medel, ogräsmedel och gödningsmedel. Produkten är inte avsedd för yrkesmässig användning.

Allmänna säkerhetsregler

Varning!

- ◆ Läs alla instruktioner, även MSDS och behållarnas etiketter som följer med kemikalierna.
 - ◆ Läs alla säkerhetsvarningar betecknade med symbolen m, MSDS och behållarnas etiketter som följer med kemikalierna och alla instruktioner.
 - ◆ Läs samtliga anvisningar. Fel som uppstår till följd av att anvisningarna nedan inte följts kan orsaka elchock, brand och/eller allvarliga kroppsskador. Nedan använt begrepp "elverktyg" hänför sig till nätdrivna elverktyg (med nätsladd) och till batteridrivna elverktyg (sladdlösa).
- SPARA DESSA ANVISNINGAR.

1. Säkerhet för arbetsområdet

- a. **Håll arbetsplatsen ren och välbelyst.** Oordning på arbetsplatsen och dåligt belyst arbetsområde kan leda till olyckor.
- b. **Använd inte elverktyget i explosionsfarlig omgivning med brännbara vätskor, gaser eller damm.** Elverktygen alstrar gnistor som kan antända dammet eller gaserna.
- c. **Håll under arbetet med elverktyget barn och obehöriga personer på betryggande avstånd.** Om du störs av obehöriga personer kan du förlora kontrollen.

2. Elsäkerhet

- a. **Elverktygets stickkontakt måste passa i vägguttaget. Ändra aldrig stickkontakten på något sätt. Använd inte adapterkontakter tillsammans med skyddsjordade elverktyg.** Oförändrade stickkontakter och passande vägguttag minskar risken för elchock.
- b. **Undvik kroppskontakt med jordade ytor som t.ex. rör, värmeelement, spisar och kylskåp.** Det finns en större risk för elchock om din kropp är jordad.
- c. **Skydda elverktyget mot regn och väta.** Tränger vatten in i ett elverktyg ökar risken för elchock.
- d. **Misshandla inte nätsladden. Använd inte sladden för att bära eller hänga upp elverktyget och inte heller för att dra stickproppen ur vägguttaget. Håll nätsladden på avstånd från värme, olja, skarpa kanter och rörliga maskindelar.** Skadade eller tilltrasslade sladdar ökar risken för elchock.
- e. **Använd endast förlängningssladdar som är godkända för utomhusbruk när du arbetar med ett elverktyg utomhus.** Om en förlängningssladd avsedd för utomhusbruk används minskar risken för elchock.

3. Personlig säkerhet

- a. **Var uppmärksam, se på vad du gör och använd elverktyget med förnuft. Använd inte elverktyget när du är trött eller om du är påverkad av droger, alkohol eller mediciner.** Under användning av elverktyg kan ett ögonblicks bristande uppmärksamhet leda till allvarliga kroppsskador.
 - b. **Använd personlig skyddsutrustning. Bär alltid skyddsglasögon.** Den personliga skyddsutrustningen, som t.ex. dammfiltermask, halkfria skyddsskor, hjälm eller hörselskydd, som bör användas under de gällande omständigheterna minskar risken för kroppsskada.
 - c. **Undvik oavsiktlig igångsättning. Kontrollera att strömbrytaren står i avstängt läge innan du kopplar elverktyget till nätet.** Det kan vara mycket farligt att bära ett elverktyg med fingret på strömbrytaren eller koppla det till nätet med strömbrytaren på.
 - d. **Ta bort alla inställningsverktyg och skruvnycklar innan du startar elverktyget.** Ett elverktyg eller en nyckel i en roterande komponent kan medföra kroppsskada.
 - e. **Sträck dig inte för långt. Se till att du alltid har säkert fotfäste och balans.** På så sätt kan du lättare kontrollera elverktyget i oväntade situationer.
 - f. **Bär lämplig klädsel. Bär inte löst hängande kläder eller smycken. Håll hår, kläder och handskar undan från rörliga delar.** Löst hängande kläder, smycken och långt hår kan dras in av roterande delar.
 - g. **Om elverktyget är utrustat med dammutslagnings- och uppsamlingsutrustning, kontrollera att dessa anordningar är rätt monterade och att de används på korrekt sätt.** Dessa anordningar reducerar riskerna i samband med damm.
- ### 4. Bruk och skötsel av elverktyg
- a. **Överbelasta inte elverktyget. Använd rätt elverktyg för det aktuella arbetet.** Med ett lämpligt elverktyg kan du arbeta bättre och säkrare inom angivet effektområde.
 - b. **Ett elverktyg med defekt strömbrytare får inte användas.** Ett elverktyg som inte kan kopplas till eller från är farligt och måste repareras.
 - c. **Dra ur stickkontakten ur vägguttaget innan inställningar utförs, tillbehörsdelar byts ut eller elverktyget ställs undan.** Denna skyddsåtgärd förhindrar oavsiktlig inkoppling av elverktyget.
 - d. **Förvara elverktygen oåtkomliga för barn. Låt inte elverktyget användas av personer som inte är förtrogna med dess användning eller inte läst denna anvisning.** Elverktyg är farliga om de används av oerfarna personer.
 - e. **Sköt elverktyget omsorgsfullt. Kontrollera att rörliga komponenter fungerar felfritt och inte kärvar, att komponenter inte brustit eller skadats och inget annat föreligger som kan påverka elverktygets funktioner.**

Låt skadade delar repareras innan elverktyget

används på nytt. Många olyckor orsakas av dåligt skötta elverktyg.

- f. **Håll skärverktyg skarpa och rena.** Omsorgsfullt skötta skärverktyg med skarpa eggar fastnar inte så lätt och går lättare att styra.
- g. **Använd elverktyget, tillbehör, insatsverktyg osv. enligt dessa anvisningar och på sätt som föreskrivits för aktuell verktygsmodell. Ta hänsyn till arbetsvillkoren och arbetsmomenten.** Används elverktyget på icke ändamålsenligt sätt kan farliga situationer uppstå.

5. Bruk och skötsel av elverktyg

- a. **Kontrollera att elverktyget är fränkopplat innan batteriet placeras.** Insättning av batteriet i ett inkopplat elverktyg kan leda till olyckor.
- b. **Ladda batterierna endast i de laddare som tillverkaren rekommenderat.** Om en laddare som är avsedd för en viss typ av batterier används för andra batterityper finns risk för brand.
- c. **Använd endast batterier som är avsedda för aktuell elverktyg.** Används andra batterier finns risk för kroppsskada och brand.
- d. **Håll gem, mynt, nycklar, spikar, skruvar och andra metallföremål på avstånd från reservbatterier för att undvika att kontaktarna kortsluts.** Kortslutning av batteriets kontakter kan leda till brännskador eller brand.
- e. **Om batteriet används på felaktigt sätt finns risk för att vätska rinner ur batteriet. Undvik kontakt med vätskan. Vid oavsiktlig kontakt spola med vatten. Om vätska kommer i kontakt med ögonen uppsök dessutom läkare.** Batterivätskan kan medföra hudirritation eller brännskada.

6. Service

- a. **Låt endast elverktyget repareras av kvalificerad fackpersonal och med originalreservdelar.** Detta garanterar att elverktygets säkerhet bibehålls.

Tillkommande säkerhetsanvisningar**Varning!**

- ◆ Läs alla instruktioner och säkerhetsföreskrifter för utrustningen och sprutmaterial innan utrustningen börjar användas.
- ◆ Följ alla tillämpliga lokala, regionala och statliga regler för ventilation, brandskydd och drift.
- ◆ Håll sprutan utom räckhåll för barn.
- ◆ Hörselskydd rekommenderas vid långvarig användning.
- ◆ Använd skyddsglasögon för att skydda ögonen mot partiklar.

Giftiga ångor

Insektsmedel och andra material kan vara skadliga att andas in och kan orsaka illamående, avsvimning eller förgiftning.

- a. Använd andningskydd eller mask när det föreligger risk för inandning av ångor. Läs alla instruktioner för sprutmaterialet och masken för att vara säker på att den erbjuder tillräckligt skydd mot inandning av skadliga ångor.

Extra säkerhetsföreskrifter för sprutor

Följande varningssymboler återfinns på apparaten:



Utsätt inte apparaten för regn eller hög luftfuktighet.



Läs bruksanvisningen innan du använder verktyget.



Släng inte utrustningen i öppen eld.



Håll obehöriga personer på betryggande avstånd.



Använd skyddsglasögon under arbetet med verktyget.



Använd andningskydd eller mask.



Använd endast icke brandfarliga vätskor.

Varning!

- ◆ Innan något bekämpningsmedel används i den här sprutan måste man läsa etiketten på den ursprungliga behållaren och följa dess instruktioner. En del sprutmaterial är farliga och ska inte användas i den här sprutan då de kan orsaka skador på sprutan och allvarliga kroppsskador eller skador på egendom.
- ◆ Innan användning måste alla som använder den här sprutan läsa igenom och förstå alla säkerhetsinstruktioner och annan information som finns i denna bruksanvisning.
- ◆ Använd inte trädgårdsredskap i gashaltig eller explosiv miljö. Motorer i dessa redskap ger vanligtvis ifrån sig gnistor och gnistor kan antända ångor.
- ◆ Använd inte kemikalier av handelskvalitet eller för yrkes- eller industriellt syfte. Använd endast vattenbaserade kemikalier för gräsmattor och trädgårdar avsedda för privatpersoner.
- ◆ Använd inte kaustiska (alkali) självuppvärmande eller korrosiva (syra) vätskor i den här sprutan eftersom de kan korrodera metalldelar eller försvaga slangar och tätningar.

- ◆ Använd inte varma eller kokheta vätskor i den här sprutan eftersom de kan försvaga tanken och slangen.
- ◆ Lämna inte kvar rester eller sprutmateriäl i tanken efter användning av sprutan.
- ◆ Rök inte under sprutning och spruta inte i närheten av gnistor eller öppen eld.
- ◆ Undersök noga både insidan och utsidan av sprutan varje gång innan den används.
- ◆ Töm, rengör och töm ur både tanken och slangen efter varje användning enligt anvisningarna.
- ◆ Använd inte sprutan för att spruta brandfarligt materiäl.
- ◆ Spruta inte med något okänt materiäl.
- ◆ Använd endast icke brandfarliga vätskor.

- ◆ Hälsofaror orsakade av inandning av damm när verktyget används (exempel: arbete med trä, särskilt ek, bok och MDF).

Andra personers säkerhet

- ◆ Apparaten är inte avsedd att användas av personer (inklusive barn) med försvagade fysiska, sensoriska eller mentala förmågor, eller som saknar erfarenhet och kunskaper, om de inte får övervakning eller undervisning i användning av apparaten av någon som ansvarar för deras säkerhet.
- ◆ Håll uppsyn så att inga barn leker med apparaten.

Tillkommande säkerhetsanvisningar för batterier och laddare

Batterier

- ◆ Försök aldrig öppna.
- ◆ Låt inte batteriet komma i kontakt med vatten.
- ◆ Förvara inte batteriet i utrymmen där temperaturen kan överstiga 40 °C.
- ◆ Ladda endast inom temperaturområdet 10 °C till 40 °C.
- ◆ Ladda endast med laddaren som medföljer.
- ◆ När batterierna kasseras skall instruktionerna i kapitlet "Miljöskydd" följas.

Laddare

- ◆ Använd Black & Decker-laddaren endast för att ladda batteriet i det verktyg det medföljde. Andra typer av batterier kan explodera och förorsaka person- och materialskador.
- ◆ Försök aldrig ladda icke-uppladdningsbara batterier.
- ◆ Byt genast ut skadade sladdar.
- ◆ Låt inte laddaren komma i kontakt med vatten.
- ◆ Öppna inte laddaren.
- ◆ Gör ingen äverkan på laddaren.



Laddaren är endast avsedd för inomhusbruk.



Läs bruksanvisningen före bruk.



Felsäker isolertransformator. Nätströmmen är elektriskt separerad från transformatorutgången.



Laddaren stängs automatiskt av om omgivningstemperaturen är för hög. I så fall går laddaren inte längre att använda. Apparaten måste kopplas lös från elnätet och lämnas in hos en auktoriserad servicepunkt för reparation.

Personlig säkerhet

- Extra personlig skyddsutrustning som lämpliga handskar och andningsskydd eller mask måste användas vid hantering av kemikalier.**
Säkerhetsutrustning som används under lämpliga förhållanden minskar risken för personskador.
- Spruta inte på dig själv, någon annan person eller på djur. Håll händer och andra kroppsdelar borta från utloppet. I händelse av insprutningsskada ska läkare kontaktas omedelbart.** Sprutmaterialet kan gå igenom huden och sprutas in i kroppen.
- Behandla inte en insprutningsskada som ett vanligt skärsår.** Sprutan kan spruta in gifter i kroppen och orsaka allvarliga kroppsskador. I händelse av insprutningsskada ska läkare kontaktas omedelbart.
- Var uppmärksam på eventuella risker med materialet som sprutas. Konsultera behållarens märkning eller information från tillverkaren av materialet som ska sprutas, däribland krav på användning av personlig skyddsutrustning.** Tillverkarens instruktioner måste följas för att minska risken för brand och personskador, orsakade av gifter, karcinogena ämnen etc.

Övriga risker

Ytterligare risker som inte finns med i de bifogade säkerhetsföreskrifterna kan uppstå när verktyget används. Dessa risker kan uppstå vid felaktig eller långvarig användning, etc.

Även om alla relevanta säkerhetsföreskrifter följs och säkerhetsanordningar används kan vissa ytterligare risker inte undvikas. Dessa innefattar:

- ◆ Skador orsakade av att roterande/rörliga delar vidrörs.
- ◆ Skador som uppstår vid byte av delar, blad eller tillbehör.
- ◆ Skador som orsakas av långvarig användning av ett verktyg. Se till att ta regelbundna raster när du använder ett verktyg under en längre period.
- ◆ Skador på hörseln.

Elsäkerhet



Laddaren är dubbelisolerad; jordledare är således överflödiga. Kontrollera alltid att nätspänningen överensstämmer med typskylten.

Varning! Försök aldrig att ersätta laddningsenheten med en vanlig nätkontakt.

Detaljbeskrivning

1. Strömbrytare
2. Bärrem
3. Sprutmunstycke
4. Handtag till sprutmunstycke
5. Tanklock
6. Uppsugningsrör
7. Munstycke
8. Drivhuvud
9. Tanken

Montering och justering

Varning! Kontrollera att sprutan är avstängd.

Fäst bärremmen (fig. A)

- ◆ Fäst klämmorna (10) på remmen (2) på öppningarna (11) på drivhuvudet.

Montering av sprutmunstycket (fig. B)

- ◆ För in sprutmunstycket (3) i sprutmunstyckets handtag (4) tills det låses fast i läge.
- ◆ Dra åt locket (12) på handtaget.

Montering av munstycket (fig. C)

- ◆ Skruva munstycket (7) på handtagets topp (13).

Justering av munstycket av kontyp

- ◆ Vrid munstycket (7) medurs för att få en smal stråle.
- ◆ Vrid munstycket (7) moturs för att få en bred stråle.

Borttagning och byte av drivhuvudet (fig. D & E)

- ◆ Skruva av tanklocket (5) (fig. D1).
- ◆ Ta bort uppsugningsröret (6) från tanken (9).
- ◆ Släpp upp spärren (14) genom att trycka den nedåt (fig. E).
- ◆ Höj bakdelen av drivhuvudet (8) och flytta det framåt (fig. D2).
- ◆ Dra av drivhuvudet (8).
- ◆ För att fästa drivhuvudet (8), passa in spåren (15) i drivhuvudet med piggarna (16) ovanpå tanken (9) (fig. D2 & D3).
- ◆ Flytta drivhuvudet (8) bakåt tills det låses fast i läge.
- ◆ Fäst bygeln (17) över spärrfästet (18) (fig. E).
- ◆ Skjut anslaget (14) uppåt tills det låses fast i läge.
- ◆ Placera uppsugningsröret (6) i tanken.
- ◆ Sätt tillbaka tanklocket (5) och drag åt det.

Användning

Varning!

- ◆ Använd personlig skyddsutrustning.
- ◆ Spruta endast i väl ventilerade utrymmen.
- ◆ Använd endast rekommenderade kemikalier enligt beskrivning i säkerhetsinstruktionerna.

Laddning av batteriet (fig. F)

Batteriet måste laddas innan det används första gången och alltid när verktyget inte längre fungerar effektivt. När batteriet laddas första gången eller efter en längre tids förvaring är laddningskapaciteten endast 80%. Efter flera uppladdnings- och urladdningscyklar uppnår batteriet full kapacitet. Batteriet kan bli varmt under laddningen; detta är en normal företeelse och indikerar inte något fel.

Varning! Ladda inte batteriet om lufttemperaturen är lägre än 10 °C eller högre än 40 °C. Rekommenderad temperatur vid laddning är cirka 24 °C.

- ◆ Drag ut uttagets lock (19).
- ◆ Sätt laddningspluggen (20) i laddningsuttaget (21) på apparatens baksida.
- ◆ Anslut laddaren till vägguttaget.
- ◆ Sätt på huvudströmmen.
- ◆ Låt apparaten vara ansluten till laddaren i 14-18 timmar.

Laddaren kan bli varm under laddningen. Det är normalt och tyder inte på något problem. Apparaten kan vara ansluten till laddaren under obegränsad tid.

- ◆ Koppla lös apparaten från laddaren och laddaren från nätet innan apparaten används.
- ◆ Sätt tillbaka uttagets lock (19).

Varning! Det går inte att använda apparaten medan det är kopplat till laddaren.

Fyllning av tanken (fig. D1)

- ◆ Skruva loss tanklocket (5).
- ◆ Ta bort uppsugningsröret (6) från tanken (9).
- ◆ Fyll tanken med lämplig vätska.

Varning! Använd endast rekommenderade kemikalier enligt beskrivning i säkerhetsinstruktionerna.

Starta och stoppa apparaten

- ◆ Tryck på knappen (1) för att starta verktyget.
- ◆ Släpp knappen (1) för att stänga av.

Varning!

- ◆ Spruta alltid i medvind, bort från människor och djur.
- ◆ Använd endast munstycken som tillverkaren specificerat.
- ◆ Om munstycket täpps igen måste verktyget stängas av omedelbart.

Rengöring och underhåll

Varning!

- ◆ Förvara inte kemikalier i verktyget.
- ◆ Använd inte slipande eller aggressiva rengöringsmedel.
- ◆ Läs och följ alltid tillverkarens anvisningar för de rengöringsmedel som du använder.
- ◆ Släng den använda vätskan enligt lokalt gällande bestämmelser.

Rengöring av tanken

Verktyget ska rengöras efter användning.

- ◆ Ta bort drivhuvudet (8).
- ◆ Finns det vätska kvar så tömmer man tillbaka den till den ursprungliga behållaren eller förvarar den i en lämplig behållare.
- ◆ Fyll tanken (9) till 1/3 av dess volym med rent vatten och tvål.

Varning! Använd inte brandfarliga vätskor för rengöring.

- ◆ Sätt tillbaka drivhuvudet (8).
- ◆ Spruta tankens innehåll tills tanken (9) är tom.
- ◆ Upprepa föregående instruktioner så många gånger det behövs.

Rengöring av filtret (fig. D1)

Om vätskestrålen försvagas kan filtret vara igentäppt.

Gör så här för att rengöra filtret:

- ◆ Skruva loss tanklocket (5).
- ◆ Ta bort uppsugningsröret (6) från tanken (9).
- ◆ Tvätta filtret i varmt vatten och tvål.

Förvaring (fig. G & H)

Varning! Förvara inte verktyget i utrymmen där temperaturen går under 0°C.

- ◆ Rengör och torka alla verktygets delar om det inte används på mer än en dag.
- ◆ Fäst sprutmunstyckets handtag (4) på sidklämmorna (22) (fig. G).
- ◆ Fäst slangen (23) med kardborrebandet (24) på drivhuvudet (8) (fig. H).

Tillbehör

Verktygets användningsområde beror på vilket tillbehör du väljer. Black & Decker- och Piranhatillbehören är av hög kvalitet. Genom att använda dessa tillbehör kan du få ut mesta möjliga av verktyget.

Felsökning

Kontrollera nedanstående punkter om verktyget inte fungerar korrekt.

Fel	Möjlig orsak	Åtgärd
Vätskestrålen försvagas eller stoppar.	Filtret är igentäppt. uppsugningsröret.	Kontrollera filtret i änden av Tvätta filtret i varmt vatten och tvål.
	Batteriet är urladdat.	Ladda batteriet.
	Uppsugningsröret går inte hela vägen ned i tanken.	Tryck ned uppsugningsröret helt.
Verktyget startar inte.	Batteriet är inte laddat.	Kontrollera batteriladdningskraven.

Miljöskydd



Särskild insamling. Denna produkt får inte kastas bland vanliga hushållssopor.

Om du någon gång i framtiden behöver ersätta din Black & Decker-produkt med en ny, eller inte längre behöver den, ska du inte kasta den i hushållssoporna. Denna produkt skall lämnas till särskild insamling.



Efter insamling av använda produkter och förpackningsmaterial kan materialen återvinnas och användas på nytt. Användning av återvunna material skonar miljön och minskar förbrukningen av råvaror.

Enligt lokal lagstiftning kan det förekomma särskilda insamlingar av utjänt elutrustning från hushåll, antingen vid kommunala miljöstationer eller hos detaljhandlaren när du köper en ny produkt.

Black & Decker erbjuder en samlings- och återvinningstjänst för Black & Decker-produkter när de en gång har tjänat ut. För att använda den här tjänsten lämnar du in produkten till en auktoriserad Black & Decker -reparatör/representant som tar hand om den för din räkning.

Närmaste auktoriserad Black & Decker-representant finner du genom det lokala Black & Decker-kontoret på adressen i den här manualen. Annars kan du söka på Internet, på listan över auktoriserade Black & Decker-representanter och alla uppgifter om vår kundservice och andra kontakter www.2helpU.com

Batteri (fig. I & J)



Black & Decker-batterierna kan laddas om många gånger. Skydda miljön genom att lämna kasserade batterier på därför avsedd uppsamlingsplats.

Varning!

- ◆ Koppla bort apparaten från nätspänningen före batteriet avlägsnas.
- ◆ Kortslut inte batteriets kontakter.
- ◆ Släng inte batteriet i öppen eld, det kan explodera.
- ◆ Ladda helst ur batteriet genom att använda apparaten tills motorn slutar gå.
- ◆ Ta bort drivhuvudet (8).
- ◆ Avlägsna skruvarna (25) från botten (fig. I).
- ◆ Avlägsna skruvarna (26) från sidan.
- ◆ Öppna kåpan.
- ◆ Ta bort bägge sidorna av kåpan (27).
- ◆ Avlägsna batterilocket (28) (fig. J).
- ◆ Dra ut batteriet ur apparaten.
- ◆ Dra av batteriklämmorna (29).
- ◆ Lägg batteriet i en lämplig förpackning så att kontakterna inte kan kortslutas.
- ◆ Lämna in batteriet på inköpsstället eller på den lokala återvinningsstationen. Återlämnade batterier återvinns eller sänds till särskild återvinning.

Tekniska data

GSC500 H2	
Spänning	V_{DC} 14,4
Kapacitet	4,7
Vikt	kg 2

Laddare

VA170020D	
Spänning	V_{AC} 230
Utspänning	V_{AC} 17
Amperetal	mA 200
Laddningstid cirka	h 14-18
Vikt	kg 0,2

Bullernivå, uppmätt enligt EN 60745:

Bullernivå (L_{PA}) 76,5 dB(A), avvikelse (K) 3 dB(A)
 Ljudeffekt (L_{WA}) 87,5 dB(A), avvikelse (K) 3 dB(A)

Vibrationens totala värde (treaxelvektorsumma) bestämd enligt EN 60745:

Vägt vibration hand/arm 0,26 m/s²

Garanti

Black & Decker garanterar att produkten är fri från material- och/eller fabriktionsfel vid leverans till kund. Garantin är i tillägg till konsumentens lagliga rättigheter och påverkar inte dessa. Garantin gäller inom medlemsstaterna i Europeiska Unionen och i det Europeiska Frihandelsområdet.

Om en Black & Decker produkt går sönder på grund av material- och/eller fabriktionsfel eller brister i överensstämmelse med specifikationen, inom 24 månader från köpet, åtar sig Black & Decker att reparera eller byta ut produkten med minsta besvär för kunden.

Garantin gäller inte för fel som beror på:

- ◆ normalt slitage
- ◆ felaktig användning eller skötsel
- ◆ att produkten skadats av främmande föremål, ämnen eller genom olyckshändelse

Garantin gäller inte om reparation har utförts av någon annan än en auktoriserad Black & Decker verkstad.

För att utnyttja garantin skall produkten och inköpskvittot lämnas till återförsäljaren eller till en auktoriserad verkstad senast 2 månader efter det att felet har upptäckts.

För information om närmaste auktoriserad verkstad; kontakta det lokala Black & Decker kontoret på den adress som är angiven i bruksanvisningen. En lista på alla auktoriserade verkstäder samt servicevillkor finns även tillgängligt på Internet, adress: **www.2helpU.com**

Besök vår webbplats **www.blackanddecker.se** för att registrera din nya Black & Decker-produkt samt för att erhålla information om nya produkter och specialerbjudanden.

Vidare information om märket Black & Decker och vårt produktsortiment kan återfinnas på **www.blackanddecker.se**

Reservdelar/Reparationer

Reservdelar finns att köpa hos auktoriserade Black & Decker verkstäder, som även ger kostnadsförslag och reparerar våra produkter.

Förteckning över våra auktoriserade verkstäder finns på Internet, vår hemsida **www.blackanddecker.se** samt **www.2helpU.com**

Bruksområder

Din Black & Decker sprøyte er designet til å sprøyte en rekke vannbaserte plen- og hagekjemikalier som insektsmidler, soppsmidler, ugressmidler og gjødsel. Apparatet er kun beregnet til hobbybruk.

Generelle sikkerhetsforskrifter

Advarsel!

- ◆ Les alle instruksjoner, inkludert datablader om materialsikkerhet, og etiketter på kjemikalienes beholdere.
- ◆ Les alle sikkerhetsadvarsler merket med m-symbolet, datablader om materialsikkerhet, og etiketter på kjemikalienes beholdere, og alle instruksjoner.
- ◆ Les gjennom alle anvisningene. Hvis anvisningene nedenfor ikke overholdes, kan det medføre elektrisk støt, brann og/eller alvorlige skader. Uttrykket «elektroverktøy» i alle advarslene nedenfor gjelder for strømdrevne elektroverktøy (med ledning) og batteridrevne elektroverktøy (uten ledning).

TA GODT VARE PÅ DISSE ANVISNINGENE.

1. Sikkerhet i arbeidsområdet

- a. **Hold arbeidsområdet rent og godt opplyst.** Rotete arbeidsområder med dårlig belysning kan føre til ulykker.
- b. **Ikke arbeid med elektroverktøy i eksplosjonsfarlige omgivelser hvor det finnes brennbare væsker, gass eller støv.** Elektroverktøy forårsaker gnister som kan antenne støv eller røyk.
- c. **Hold barn og andre personer unna når elektroverktøyet brukes.** Hvis du blir forstyrret under arbeidet, kan du miste kontrollen.

2. Elektrisk sikkerhet

- a. **Støpselet til elektroverktøyet må passe inn i stikkkontakten. Støpselet må ikke forandres på noen som helst måte. Ikke bruk adapterstøpsler sammen med jordete elektroverktøy.** Bruk av originale støpsler og passende stikkontakter reduserer risikoen for elektrisk støt.
- b. **Unngå kroppskontakt med jordete overflater som rør, radiatorer, komfyrer og kjøleskap.** Det er større fare for elektrisk støt hvis kroppen din er jordet.
- c. **Utsett ikke elektroverktøy for regn eller fuktighet.** Dersom det kommer vann i et elektroverktøy, øker risikoen for elektrisk støt.
- d. **Unngå uforsvarlig behandling av ledningen.** Elektroverktøyet må aldri bæres eller trekkes etter ledningen, og trekk heller ikke ut støpselet ved å rykke i ledningen. Hold ledningen unna varme, olje, skarpe kanter eller bevegelige deler. Med skadde eller sammenflokete ledninger øker risikoen for elektrisk støt.

- e. **Når du arbeider utendørs med et elektroverktøy, må du kun bruke en skjøteledning som er godkjent til utendørs bruk.** Ved å bruke en skjøteledning som er egnet for utendørs bruk, reduseres risikoen for elektrisk støt.

3. Personikkerhet

- a. **Vær oppmerksom, pass på hva du gjør og vis fornuft når du arbeider med et elektroverktøy. Ikke bruk elektroverktøy når du er tretth eller er påvirket av narkotika, alkohol eller medikamenter.** Et øyeblikks uoppmerksomhet under bruk av elektroverktøyet kan føre til alvorlige personskader.
- b. **Bruk personlig verneutstyr. Bruk alltid vernebriller.** Bruk av personlig verneutstyr, for eksempel støvmaske, skliskre vernesko, hjelm eller hørselvern som passer til forholdene, reduserer risikoen for personskader.
- c. **Unngå utilsiktet start av elektroverktøyet. Påse at bryteren står i posisjon "AV" før verktøyet kobles til.** Det kan føre til ulykker hvis du bærer elektroverktøyet med fingeren på bryteren, eller kobler til verktøyet når bryteren ikke står i posisjon "AV".
- d. **Fjern innstillingsverktøy eller skrunøkler før du slår på elektroverktøyet.** Et elektroverktøy eller en nøkkel som befinner seg i en roterende del kan føre til personskade.
- e. **Ikke strekk deg for langt. Pass på at du alltid har sikkert fotfeste og god balanse.** Da kan du kontrollere elektroverktøyet bedre i uventede situasjoner.
- f. **Bruk alltid egnede klær. Ikke bruk løstsittende klær eller smykker.** Hold hår, klær og hanser unna bevegelige deler. Løstsittende klær, smykker eller langt hår kan komme inn i bevegelige deler.
- g. **Hvis det kan monteres støvavsug- og oppsamlingsinnretninger, må du forvise deg om at disse er tilkoblet og brukes på riktig måte.** Bruk av disse innretningene reduserer faren for forbindelse med støv.

4. Aktsom håndtering og bruk av elektroverktøy

- a. **Ikke bruk makt på elektroverktøyet. Bruk et elektroverktøy som er beregnet på den type arbeid du vil utføre.** Med et passende elektroverktøy arbeider du bedre og sikrere i det angitte effektområdet.
- b. **Ikke bruk elektroverktøyet hvis det ikke lar seg slå på og av med bryteren.** Et elektroverktøy som ikke kan kontrolleres med bryteren er farlig og må repareres.
- c. **Trekk støpselet ut av stikkkontakten før du utfører innstillinger på elektroverktøyet, skifter tilbehørsdeler eller legger elektroverktøyet bort.** Disse tiltakene reduserer risikoen for en utilsiktet start av elektroverktøyet.
- d. **Elektroverktøy som ikke er i bruk må oppbevares utilgjengelig for barn. Ikke la verktøyet brukes av personer som ikke er fortrolig med det eller som ikke har lest disse bruksanvisningene.** Elektroverktøy er farlige når de brukes av uerfarne personer.

- e. **Vær nøye med vedlikehold av elektroverktøy.**
Kontroller om bevegelige deler fungerer feilfritt og ikke klemmes fast, om deler er brukket eller skadet og andre forhold som kan innvirke på elektroverktøyets funksjon. Hvis elektroverktøyet er skadet, må det repareres før bruk. Dårlig vedlikeholdte elektroverktøy er årsaken til mange uhell.
- f. **Hold skjæreverktøy skarpe og rene.** Godt vedlikeholdte skjæreverktøy med skarpe egger setter seg ikke så ofte fast og er lettere å føre.
- g. **Bruk elektroverktøy, tilbehør, borkroner osv. i henhold til disse anvisningene og slik det er foreskrevet for denne spesielle verktøytypen. Ta hensyn til arbeidsforholdene og arbeidet som skal utføres.**
 Bruk av elektroverktøy til andre formål enn det som er angitt, kan føre til farlige situasjoner.
5. **Aktsohm håndtering og bruk av oppladbare elektroverktøy**
- a. **Sørg for at verktøy er slått av før du setter i batteriet.**
 Hvis du setter batteriet i et elektroverktøy som er slått på, kan dette medføre uhell.
- b. **Lad kun opp batteriet i laderen som er anbefalt av produsenten.** Det oppstår brannfare hvis en lader som er egnet til en bestemt type batterier, brukes med andre batterier.
- c. **Bruk kun riktig type batterier for elektroverktøyene.**
 Bruk av andre batterier kan medføre skader og brannfare.
- d. **Hold batterier som ikke er i bruk, unna binders, mynter, nøkler, spikre, skruer eller andre mindre metallgjenstander som kan lage en forbindelse mellom kontaktene.** En kortslutning mellom batterikontaktene kan føre til forbrenninger eller brann.
- e. **Ved feilaktig bruk kan det lekke væske ut av batteriet. Unngå kontakt med denne væsken. Ved tilfeldig kontakt må det skylles med vann. Hvis det kommer væske i øynene, må du i tillegg oppsøke lege.**
 Batterivæske som renner ut, kan føre til hudirritasjoner eller forbrenninger.
6. **Service**
- a. **Elektroverktøyet ditt skal alltid repareres av kvalifisert personell og kun med originale reservedeler.**
 Dette sikrer at elektroverktøyets sikkerhet opprettholdes.

Ytterligere sikkerhetsinstruksjoner

Advarsel!

- ◆ Les alle instruksjoner og sikkerhetsinstruksjoner for utstyr og sprøytematerialer før ethvert utstyr brukes.
- ◆ Følg alle gjeldende lokale og nasjonale forskrifter om ventilasjon, brannsikring og bruk.
- ◆ Hold sprøyten unna barn.
- ◆ Ved bruk over lengre tid bør du benytte hørselvern.
- ◆ Bruk vernebriller for ikke å få partikler inn i øynene.

Farlige damper

Insektmidler og andre materialer kan være skadelige hvis de inhaleres, og kan forårsake alvorlig kvalme, tap av bevissthet, eller forgiftning.

- a. Bruk respirator eller maske når det er risiko for at du vil inhalere damp. Les alle instruksjoner om sprøytematerialene og masken for å være sikker på at denne vil gi tilstrekkelig beskyttelse mot farlige damper.

Ekstra sikkerhetsinstruksjoner for sprøyter

Du finner følgende varselssymboler på apparatet:



Ikke utsett apparatet for regn eller miljøer med høy fuktighet.



Les bruksanvisningen før du bruker verktøyet.



Må ikke kastes på ild.



Hold andre personer på avstand.



Ha på deg vernebriller når du bruker dette verktøyet.



Bruk respirator eller ansiktsmaske.



Bruk kun væsker som ikke er antennelige.

Advarsel!

- ◆ Før du bruker insektmidler eller andre sprøytematerialer i denne sprøyten, må du lese etiketten på materialets originale beholder nøye, og følge retningslinjene som gis. Noen sprøytematerialer er farlige og bør ikke brukes i denne sprøyten, da de kan skade sprøyten og forårsake alvorlige skader på person eller eiendom.
- ◆ Før bruk må du påse at alle som bruker denne sprøyten har lest og forstått sikkerhetsinstruksene og annen informasjon i denne manualen.
- ◆ Ikke bruk hageapparater der det er gassholsig eller eksplosjonsfarlig luft. Motorene i disse apparatene avgir som regel gnister, og disse kan antenne damper.
- ◆ Ikke bruk kommersielt klassifiserte kjemikalier, og ikke bruk sprøyten i kommersiell eller industriell sammenheng. Bruk kun forbrukerklassifiserte, vannbaserte plen- og hagekjemikalier.
- ◆ Ikke bruk kaustiske (alkaliske), selvoppvarmende eller kooirive (syre) væsker i denne sprøyten, da de kan korrodere metalldeleer eller svekke slange og pakninger.

- ◆ Ikke bruk varme eller kokende væsker i sprøyten, da dette kan svekke tank og slange.
- ◆ Ikke la det være igjen bunnavsetninger eller sprøytematerialer i tanken etter bruken.
- ◆ Ikke røyk mens du sprøyter, og ikke sprøyt i nærheten av åpen ild.
- ◆ Inspiser både innsiden og utsiden av sprøyten nøye før hver bruk.
- ◆ Tøm, rengjør og tapp av både tank og slange etter hver bruk.
- ◆ Apparatet må ikke brukes til å sprøyte antennelige materialer.
- ◆ Ikke sprøyte materialer som kan ha ukjente farer.
- ◆ Bruk kun væsker som ikke er antennelige.

Personsikkerhet

- Ekstra personlig verneutstyr, som riktige hansker og en respirator eller maske må brukes når du håndterer kjemikalier.** Bruk av riktig sikkerhetsutstyr reduserer faren for personskader.
- Ikke sprøyt på deg selv, eller på annen person eller dyr. Hold hender og andre kroppsdeler unna strålen. Hvis det kommer kjemikalier på huden, må du øyeblikkelig oppsøke lege.** Sprøytematerialet kan trenge gjennom huden og komme inn i kroppen din.
- Ikke behandle dette som et enkelt sår.** Sprøyten kan injisere giftstoffer i kroppen og forårsake alvorlige skader. Ved injeksjon må du øyeblikkelig oppsøke lege.
- Vær oppmerksom på alle mulige farer forbundet med materialet du sprøyter. Les det som står på beholdere og informasjon gitt av produsenten av materialet som skal sprøytes, inkludert kravene til bruk av personlig verneutstyr.** Produsentens instruksjoner må følges for å redusere faren for brann og personskade som kan oppstå med toksiner, karsinogener osv.

Andre risikoer

Ved bruk av verktøyet kan det oppstå ytterligere risikoer som kanskje ikke er inkludert i sikkerhetsadvarslene som følger med. Disse risikoene kan bli forårsaket av feil bruk, langvarig bruk, osv.

Selv om de relevante sikkerhetsbestemmelsene blir fulgt, og sikkerhetstiltakene blir gjennomført, kan visse gjenværende risikoer ikke unngås. Disse omfatter:

- ◆ Personskader som forårsakes av berøring av en roterende/bevegelig del.
- ◆ Personskader som forårsakes av at en del, et blad eller tilbehør endres.
- ◆ Personskader som forårsakes av langvarig bruk av et verktøy. Når du bruker et verktøy i lange perioder, må du sørge for å ta regelmessige pauser.
- ◆ Svekket hørsel.

- ◆ Helsefarer som forårsakes av innånding av støv som dannes når du bruker verktøyet (eksempel: arbeid med tre, spesielt eik, bøk og MDF).

Andre personers sikkerhet

- ◆ Apparatet er ikke beregnet til å brukes av personer (inkludert barn) med redusert fysisk, sansemessig eller mental kapasitet eller mangel på erfaring og kunnskap, med mindre de er under oppsyn eller har fått opplæring i bruk av apparatet av en person som har ansvaret for deres sikkerhet.
- ◆ Barn må ha tilsyn for å sikre at de ikke leker med apparatet.

Ekstra sikkerhetsforskrifter for batterier og ladere

Batterier

- ◆ Gjør aldri under noen omstendigheter forsøk på å åpne apparatet.
- ◆ Batteriet må ikke komme i kontakt med vann.
- ◆ Må ikke oppbevares på steder hvor temperaturen kan overstige 40 °C.
- ◆ Må bare lades i lufttemperaturer mellom 10 °C og 40 °C.
- ◆ Må bare lades med laderen som følger med verktøyet.
- ◆ Når batteriene skal kastes, følg instruksene i avsnittet "Miljøvern".

Ladere

- ◆ Bruk din Black & Decker-lader kun sammen med batteriet som sitter i verktøyet ved levering. Andre typer batterier kan eksplodere og forårsake person- og materialskader.
- ◆ Forsøk aldri å lade ikke-oppladbare batterier.
- ◆ Bytt straks ut defekte ledninger.
- ◆ Laderen må ikke komme i kontakt med vann.
- ◆ Laderen må ikke åpnes.
- ◆ Ikke undersøk laderen på egenhånd.



Laderen er kun beregnet på innendørs bruk.



Les instruksjonshåndboken før bruk.



Feilsikker skilletransformator. Nettstrømforsyningen er elektrisk atskilt fra transformatorens utgang.



Laderen slås automatisk av hvis omgivelsestemperaturen blir for høy. Følgelig vil det ikke være mulig å bruke laderen. Enheten må kobles fra strømmettet og leveres inn til reparasjon i et autorisert servicesenter.

Elektrisk sikkerhet



Laderen er dobbeltisolert. Derfor er ikke jording nødvendig. Kontroller at nettspenningen er i overensstemmelse med spenningen på typeskiltet.

Advarsel! Du må aldri forsøke å bytte laderen ut med et vanlig støpsel.

Egenskaper

1. Strømbryter
2. Bærestropp
3. Lanse
4. Lansehåndtak
5. Tanklokk
6. Sugerør
7. Munnstykke
8. Krafthode
9. Tank

Montering og justering

Advarsel! Kontroller at apparatet er slått av.

Montering av bærestropp (fig. A)

- ◆ Fest klemmene (10) på stroppen (2) til åpningene (11) på krafthodet.

Montering av sprøytelansen (fig. B)

- ◆ Sett lansen (3) inn i lansehåndtaket (4) til det låses på plass.
- ◆ Skru lokket (12) på håndtaket.

Montere munnstykket (fig. C)

- ◆ Skru munnstykket (7) på tuppen av håndtaket (13).

Justere den koniske typen munnstykke

- ◆ Drei munnstykket (7) med klokken for en mer konsentrert stråle.
- ◆ Drei munnstykket (7) mot klokken for en bredere stråle.

Montere og fjerne støvposen (fig. D & E)

- ◆ Løsne håndtaksskruen (5) (fig. D1).
- ◆ Fjern sugerøret (6) fra tanken (9).
- ◆ Løs ut låsen (14) ved å trykke den nedover (fig. E).
- ◆ Løft baksiden av krafthodet (8) og beveg det remover (fig. D2).
- ◆ Trekk av krafthodet (8).
- ◆ For å feste krafthodet (8), stiller du sporene (15) i krafthodet inn med leppene (16) på toppen av tanken (9) (fig. D2 & D3).
- ◆ Beveg krafthodet (8) til det klikker på plass.
- ◆ Plasser braketten (17) over låseinretningen (18) (fig. E).
- ◆ Trykk kanten (14) oppover til den klikker på plass.

- ◆ Plasser sugerøret (6) i tanken.
- ◆ Sett på tanklokket (5) og skru til.

Bruk

Advarsel!

- ◆ Bruk personlig verneutstyr.
- ◆ Sprøyt kun i godt ventilerte områder.
- ◆ Bruk kun anbefalte kjemikalier som beskrevet i sikkerhetsinstruksen.

Lading av batteriet (fig. F)

Batteriet må lades før første gangs bruk og alltid når verktøyet ikke lenger fungerer effektivt. Når batteriet lades for første gang, eller etter at det ikke har vært brukt i en periode, er ladekapasiteten kun 80%. Etter flere ladings- og utladingsperioder, vil batteriet oppnå full kapasitet. Batteriet kan bli varmt mens det lades; dette er normalt og indikerer ikke at noe er feil.

Advarsel! Lad ikke batteriet hvis lufttemperaturen er under 10 °C eller over 40 °C. Anbefalt ladingstemperatur: ca. 24 °C.

- ◆ Trekke ut sokkeldekslet (19).
- ◆ Sett laderstøpslet (20) i laderkontakten (21) på baksiden av apparatet.
- ◆ Sett laderen i vegguttaket.
- ◆ Slå på strømmen.
- ◆ La verktøyet stå i laderen i 14-18 timer.

Mens ladingen pågår kan laderen bli varm. Dette er normalt og betyr ikke at noe er feil. Apparatet kan stå koplet til laderen så lenge du ønsker.

- ◆ Før du bruker verktøyet, kopler du laderen fra både nettet og verktøyet.
- ◆ Sett på sokkeldekslet (19) igjen.

Advarsel! Verktøyet virker ikke mens det er koplet til laderen.

Fylle tanken (fig. D1)

- ◆ Skru av tanklokket (5).
- ◆ Fjern sugerøret (6) fra tanken (9).
- ◆ Fyll tanken med aktuell væske.

Advarsel! Bruk kun anbefalte kjemikalier som beskrevet i sikkerhetsinstruksen.

Å slå verktøyet på og av

- ◆ For å slå verktøyet på trykker du på knappen (1).
- ◆ Slipp knappen (1) for å slå det av.

Advarsel!

- ◆ Sprøyt alltid med vinden, og vekk fra mennesker og dyr.
- ◆ Bruk kun munnstykker som er spesifiserte av produsenten.
- ◆ Dersom munnstykket tetter seg må du straks slå apparatet av.

Rengjøring og vedlikehold

Advarsel!

- ◆ Ikke la sprøyten stå med kjemikalier i.
- ◆ Ikke bruk aggressive eller skurende rengjøringsmidler.
- ◆ Du må alltid lese gjennom og følge produsentens instruksjoner på beholderen med rengjøringsmiddelet.
- ◆ Kast forurenset væske i samsvar med lokale forskrifter.

Rengjøre tanken

Apparatet bør rengjøres etter bruk.

- ◆ Trekk av krafthodet (8).
- ◆ Hvis det er væske igjen, tappes væsken tilbake til den opprinnelige beholderen og lagres på et passende sted.
- ◆ Fyll tanken (9) til 1/3 av dens kapasitet med vann og såpe.

Advarsel! Ikke bruk antenkelige væsker til rengjøring.

- ◆ Sett på plass krafthodet (8).
- ◆ Sprøyt innholdet av tanken til tanken (9) er tom.
- ◆ Gjenta forrige instruksjon så mange ganger som nødvendig.

Rengjøring av filteret (fig. D1)

Hvis strømmen av væske avtar, kan filtret tettes.

Rengjør filtret på følgende måte:

- ◆ Skru av tanklokket (5).
- ◆ Fjern sugerøret (6) fra tanken (9).
- ◆ Vask filteret i varmt såpevann.

Oppbevaring (fig. G & H)

Advarsel! Må ikke oppbevares på steder hvor temperaturen kan synke under 0 °C.

- ◆ Vask og tørk alle deler av apparatet når det ikke skal brukes på over en dag.
- ◆ Sett lansehåndtaket (4) på sideklemmene (22) (fig. G).
- ◆ Fest slangen (23) med borrelås (24) til krafthodet (8) (fig. H).

Tilbehør

Bormaskinens bruksområde er avhengig av hvilket tilbehør du velger. Tilbehør fra Black & Decker og Piranha er utformet i henhold til høye kvalitetsstandarder og er utformet for å gi optimal ytelse ved bruk sammen med ditt verktøy. Når du bruker dette tilbehøret, får du optimal ytelse fra ditt verktøy.

Problemløsning

Hvis verktøyet ikke fungerer som det skal, kontrollerer du følgende.

Feil	Mulig årsak	Løsning
Væskestrømmen reduseres eller stanser.	Filter tett.	Sjekk filtret i enden av sugerøret. Vask filteret i varmt såpevann.
	Lavt batteri.	Lad opp batteriet.
	Sugerøret ikke helt inne i tanken.	Skyv sugerøret helt inn.
Verktøyet starter ikke.	Batteri ikke ladet opp.	Sjekk batteriets ladning.

Miljøvern



Kildesortering. Dette produktet må ikke kastes i det vanlige husholdningsavfallet.

Hvis du finner ut at Black & Decker-produktet ditt må skiftes ut, eller hvis du ikke lenger har bruk for det, må du unnlate å kaste det sammen med det vanlige husholdningsavfallet. Sørg for at dette produktet gjøres tilgjengelig for kildesortering.



Kildesortering av brukte produkter og emballasje gjør det mulig å resirkulere materialer og bruke dem igjen. Gjenbruk av resirkulerte materialer bidrar til å forhindre forurensning av miljøet og reduserer behovet for råmaterialer.

Lokale regelverk kan legge tilrette for kildesortering av elektriske produkter fra husholdningen, ved kommunale deponier eller gjennom forhandleren når du kjøper et nytt produkt.

Black & Decker har tilrettelagt for innsamling og resirkulering av Black & Decker-produkter etter at de har utspilt sin rolle. Ønsker du å benytte deg av denne tjenesten, returnerer du produktet ditt til et autorisert serviceverksted, som tar det imot og formidler det videre.

Du kan få adressen til ditt nærmeste autoriserte serviceverksted ved å kontakte ditt lokale Black & Decker-kontor på adressen oppgitt i denne håndboken. Du kan også finne en komplett liste over autoriserte Black & Decker-serviceverksteder og utfyllende informasjon om vår etter salg-service og kontaktnumre på Internett på følgende adresse: www.2helpU.com

Batteri (fig. I & J)



Black & Decker-batterier kan lades mange ganger. Beskytt miljøet ved å avhende brukte batterier i samsvar med lokale bestemmelser.

Advarsel!

- ◆ Koble apparatet fra strømforsyningen før du tar ut batteriet.
- ◆ Batteriklemmene må ikke kortsluttes.
- ◆ Ikke kast batterier på åpen flamme, da dette kan føre til eksplosjon.
- ◆ Du bør lade ut batteriet ved å kjøre apparatet helt til motoren stopper.
- ◆ Trekk av krafthodet (8).
- ◆ Fjern skruene (25) fra bunnen (fig. I).
- ◆ Fjern skruene (26) fra siden.
- ◆ Åpne huset.
- ◆ Fjern begge sider av huset (27).
- ◆ Fjern batteridekslet (28) (fig. J).
- ◆ Trekk batteriene ut av apparatet.
- ◆ Trekk av kontaktklemmene (29).
- ◆ Legg batteriet i egnet innpakning for å sikre at kontaktene ikke kan kortsluttes.
- ◆ Ta med batteriet til forhandleren eller den lokale resirkuleringsstasjonen. Batteriene blir da resirkulert eller tatt hånd om på en miljøvennlig måte.

Tekniske data

GSC500 H2	
Spenning	V_{DC} 14,4
Kapasitet	I 4,7
Vekt	kg 2

Lader

VA170020D	
Spenning	V_{AC} 230
Utgangsspenning	V_{AC} 17
Amperetall	mA 200
Ladetid, ca	h 14-18
Vekt	kg 0,2

Lydnivået, målt i henhold til EN 60745:

Lydtrykk (L_{pA}) 76,5 dB(A), usikkerhet (K) 3 dB(A)

Lydeffekt (L_{WA}) 87,5 dB(A), usikkerhet (K) 3 dB(A)

Totalverdier, vibrasjon (triax vektorsum) bestemt ifølge EN 60745:

Hånd/arm-vektet vibrasjon 0,26 m/s²

Reservdeler/Reparasjoner

Reservdeler kan kjøpes hos autoriserte Black & Decker serviceverksteder, som også gir kostnadsoverslag og reparerer våre produkter.

Oversikt over våre autoriserte serviceverksteder finnes på Internet, vår hjemmeside www.blackanddecker.no samt www.2helpU.com

Garanti

Black & Decker garanterer at produktet ikke har material- og/eller fabrikkasjonsfeil ved levering til kunde. Garantien er i tillegg til kundens lovlige rettigheter og påvirker ikke disse. Garantien gjelder innen medlemsstatene i den Europeiske Unionen og i det Europeiske Frihandelsområdet.

Hvis et Black & Decker produkt går i stykker på grunn av material- og/eller fabrikkasjonsfeil eller har mangler i forhold til spesifikasjonene, innen 24 måneder fra kjøpet, påtar Black & Decker seg å reparere eller bytte ut produktet med minst mulig vanskelighet for kunden.

Garantien gjelder ikke for feil som kommer av:

- ◆ normal slittasje
- ◆ feilaktig bruk eller vedlikehold (mislighold)
- ◆ at produktet har blitt skadet av fremmede gjenstander, emner eller ved et uhell

Det gjøres oppmerksom på at produktet ikke er beregnet på industriell/profesjonell/yrkemessig bruk, men til hus- og hjemmebruk.

Garantien gjelder ikke om reparasjoner har blitt utført av noen andre enn et autorisert Black & Decker serviceverksted.

For å ta garantien i bruk skal produktet og kjøpekvittring leveres til forhandleren eller til et autorisert serviceverksted senest 2 måneder etter at feilen har blitt oppdaget. For informasjon om nærmeste autoriserte serviceverksted; kontakt det lokale Black & Decker kontoret på den adressen som er angitt i bruksanvisningen. En oversikt over alle autoriserte serviceverksteder samt servicevilkår finnes også tilgjengelig på Internet, adresse: www.2helpU.com

Vennligst stikk innom våre nettsider på www.blackanddecker.no for å registrere ditt nye Black & Decker-produkt og for å holde deg oppdatert om nye produkter og spesialtilbud. Du finner mer informasjon om Black & Decker og produktutvalget vårt på www.blackanddecker.no

Anvendelsesområde

Din Black & Decker sprayer er designet til at sprøjte en række forskellige vandbaserede plæne- og havekemikalier såsom insekticider, svampemidler, ukrudtsfjernere og gødning. Produktet er kun beregnet til privat brug.

Generelle sikkerhedsregler

Advarsel!

- ◆ Læs alle instruktioner inklusive Materialesikkerhedsdataarkene (MSDS) samt kemikaliebeholdernes mærkater.
- ◆ Læs alle advarsler markeret med symbolet m, Materialesikkerhedsdataarkene (MSDS), kemikaliebeholdernes mærkater samt alle instruktioner.
- ◆ Læs alle instrukserne. Manglende overholdelse af alle instruktioner herunder specificeret kan forårsage elektrisk stød, antændelse og/eller alvorlige personskader. Det benyttede begreb "el-værktøj" i nedennævnte advarsler refererer til el-netdrevne (med tilslutningsledning) eller batteridrevne maskiner (uden tilslutningsledning).

DISSE INSTRUKSER BØR OPBEVARES TIL SENERE BRUG.

1. Sikkerhed i arbejdsområdet

- a. **Sørg for, at arbejdsområdet er rent og ryddeligt.**
Rodede og uoplyste arbejdsområder øger faren for uheld.
- b. **Brug ikke el-værktøj i eksplosionstruede omgivelser, f.eks. hvor der er brændbare væsker, gasser eller støv.**
El-værktøj kan slå gnister, der kan antænde støv eller dampe.
- c. **Sørg for, at børn og andre personer holder sig på afstand, når el-værktøjet er i brug.** Distraction kan medføre, at du mister kontrollen.

2. El-sikkerhed

- a. **El-værktøjsstik skal passe til kontakten. Stikkene må under ingen omstændigheder ændres. Brug ikke adapterstik sammen med jordforbundet el-værktøj.**
Uændrede stik, der passer til kontakterne, nedsætter risikoen for elektrisk stød.
- b. **Undgå kropskontakt med jordforbundne overflader som f.eks. rør, radiatorer, komfurer og køleskabe.** Hvis din krop er jordforbundet, øges risikoen for elektrisk stød.
- c. **El-værktøj må ikke udsættes for regn eller fugt.**
Indtrængen af vand i el-værktøj øger risikoen for elektrisk stød.
- d. **Undgå at belaste ledningen. Undgå at bære, trække eller afbryde el-værktøjet ved at rykke i ledningen.** Beskylt ledningen med varme, olie, skarpe kanter eller dele, der er i bevægelse. Beskadede eller indviklede ledninger øger risikoen for elektrisk stød.
- e. **Hvis el-værktøj benyttes i det fri, skal der benyttes en forlængerledning, som er godkendt til udendørs brug.**
Brug af en forlængerledning til udendørs brug nedsætter risikoen for elektrisk stød.

3. Personlig sikkerhed

- a. **Vær opmærksom, hold øje med, hvad du laver, og brug el-værktøjet fornuftigt. Man bør ikke bruge maskinen, hvis man er træt, har nydt alkohol eller er påvirket af medicin eller euforiserende stoffer.**
Få sekunders uopmærksomhed ved brug af el-værktøjet kan føre til alvorlige personskader.
 - b. **Brug sikkerhedsudstyr. Brug altid beskyttelsesbriller.**
Brug af sikkerhedsudstyr som f.eks. støvmaske, skridsikkert fodtøj, beskyttelseshjelm eller høreværn afhængigt af maskintype og anvendelse nedsætter risikoen for personskader.
 - c. **Undgå utilsigtet igangsætning. Sørg for, at el-værktøjets afbryder er på off, før det sluttes til strømmen.**
Hvis man bærer el-værktøj med fingeren på afbryderen, eller hvis man slutter værktøjet til strømmen, mens afbryderen er på on, er der risiko for ulykker.
 - d. **Fjern indstillingsværktøj eller skruenøgle, inden el-værktøjet tændes.** Et værktøj eller en nøgle, der efterlades i en roterende del i el-værktøjet, kan resultere i personskader.
 - e. **Overvurder ikke dig selv. Sørg for, at du altid har sikkert fodfæste og balance.** Det gør det nemmere at kontrollere el-værktøjet, hvis der skulle opstå uventede situationer.
 - f. **Klæd dig korrekt på. Undgå løse beklædningsgenstande eller smykker. Hold hår, tøj og handsker væk fra dele, der bevæger sig.** Bevægelige dele kan gribe fat i løstsiddende tøj, smykker eller langt hår.
 - g. **Hvis støvudsugnings- og opsamlingsudstyr kan monteres, er det vigtigt, at dette tilsluttes og benyttes korrekt.** Brug af dette udstyr nedsætter risikoen for personskader som følge af støv.
- ### 4. Brug og vedligeholdelse af el-værktøj
- a. **Undgå at overbelaste el-værktøjet. Brug altid det rette el-værktøj til opgaven.** Med det rigtige el-værktøj udføres arbejdet lettere og sikrere inden for det angivne effektområde.
 - b. **Brug ikke el-værktøjet, hvis afbryderen er defekt.**
El-værktøj, der ikke kan reguleres med afbryderen, er farligt og skal repareres.
 - c. **Træk stikket ud af stikkontakten inden indstilling, tilbehørsudskiftning eller opbevaring af el-værktøjet.**
Disse sikkerhedsforanstaltninger reducerer risikoen for utilsigtet start af værktøjet.
 - d. **Opbevar ubenyttet el-værktøj uden for børns rækkevidde. Lad aldrig personer, der ikke er fortrolige med el-værktøj, eller som ikke har gennemlæst disse instrukser, benytte maskinen.** El-værktøj er farligt, hvis det benyttes af ukyndige personer.

- e. **El-værktøj bør vedligeholdes omhyggeligt. Kontroller, om bevægelige dele er skæve og ikke sidder fast, og om delene er brækket eller beskadiget, således at el-værktøjets funktion påvirkes. Få beskadigede dele repareret, inden el-værktøjet tages i brug.** Mange uheld skyldes dårligt vedligeholdt el-værktøj.
- f. **Sørg for, at skæreværktøjer er skarpe og rene.** Omhyggeligt vedligeholdt skæreværktøjer med skarpe skærekanter sætter sig ikke så hurtigt fast og er nemmere at føre.
- g. **Brug el-værktøj, tilbehør, indsatsværktøj osv. i overensstemmelse med disse instrukser, og sådan som det kræves for denne specielle værktøjstype. Tag hensyn til arbejdsforholdene og det arbejde, der skal udføres.** I tilfælde af anvendelse af el-værktøjet til formål, som ligger uden for det fastsatte anvendelsesområde, kan der opstå farlige situationer.

5. Brug og vedligeholdelse af batteriværktøj

- a. **Sørg for, at maskinen er slukket, før batteriet indsættes.** Indsættelse af batteriet i el-værktøj, hvis afbryder er på on, kan føre til ulykker.
- b. **Oplades kun ved hjælp af opladere, der er anbefalet af fabrikanten.** En oplader, der er egnet til en bestemt type batterier, kan medføre brandfare, hvis det bruges med andre batterityper.
- c. **Brug kun el-værktøjet med specifikt fremstillede batterier.** Brug af andre batterier kan øge risikoen for personskader og er forbundet med brandfare.
- d. **Batterier, der ikke er i brug, må ikke komme i berøring med andre metalgenstande som f.eks. kontorclips, mønter, nøgler, søm, skruer eller andre små metalgenstande, da disse kan kortslutte kontakterne.** En kortslutning mellem batteripolerne kan medføre forbrændinger eller brand.
- e. **Hvis batteriet anvendes forkert, kan der slippe væske ud af det. Undgå kontakt med denne væske. Hvis der alligevel skulle forekomme kontakt, skylles med vand. Søg læge, hvis væsken kommer i øjnene.** Væske fra batteriet kan give hudirritation eller forbrændinger.

6. Service

- a. **Sørg for, at el-værktøjet kun reparerer af kvalificerede fagfolk, og at der kun benyttes originale reservedele.** Dermed bevares el-værktøjets sikkerhed.

Yderligere sikkerhedsinstruktioner

Advarsel!

- ◆ Læs alle instruktioner og sikkerhedsforanstaltninger for udstyr og sprøjtemateriale før du anvender udstyret.
- ◆ Overhold alle gældende lokale og statslige regler angående ventilation, brandsikring og generel brug.
- ◆ Hold sprayeren uden for børns rækkevidde.

- ◆ Høreværn anbefales ved længerevarende brug.
- ◆ Brug beskyttelsesbriller for at holde partikler væk fra dine øjne.

Farlige dampe

Insekticider og andre materialer kan være skadelige hvis de indåndes og forårsage kvalme, tab af bevidstheden og forgiftning.

- a. Brug en respirator eller maske hvis der er chance for inhalering af farlige dampe. Læs alle instruktioner for sprøjtematerialet og masken, for at sørge for at du opnår den nødvendige beskyttelse mod indånding af giftige dampe.

Yderligere sikkerhedsvejledninger til sprayers

Følgende advarselssymboler findes på apparatet:



Udsæt ikke apparatet for regn eller høj fugtighed.



Læs brugsanvisningen igennem, inden apparatet tages i brug.



Udsæt aldrig maskinen for ild.



Hold eventuelle tilskuere på afstand.



Bær sikkerhedsbriller, når du arbejder med dette værktøj.



Brug en respirator eller maske.



Brug kun væsker, som ikke kan antænde.

Advarsel!

- ◆ Før du bruger pesticider eller andre sprøjtematerialer i denne sprayer, så læs mærkaten på den oprindelige beholder omhyggeligt og følg instruktionerne. Nogle sprøjtematerialer er farlige og bør ikke bruges i denne sprayer, da de kan skade sprayeren og forårsage alvorlige kvæstelser eller beskadige genstande.
- ◆ Før brug, så sørg for, at en hvilken som helst person, som anvender denne sprayer har læst og forstået sikkerhedsinstruktionerne samt al anden information i denne brugsanvisning.
- ◆ Betjen ikke havemaskiner i gasholdige eller letantændelige omgivelser. Motorene i disse apparater slår normalt gnister, og disse gnister kan antænde gasserne.

- ◆ Brug ikke kemikalier beregnet til erhvervs-mæssigt eller industrielt brug. Brug kun vandbaserede kemikalier til privat brug samt havekemikalier.
- ◆ Brug aldrig kaustiske (alkali) selvopvarmende eller ætsende (syre) væsker i denne sprayer da disse kan ætse metaldele eller forringe slangen og pakningerne.
- ◆ Brug ikke varme eller kogende væsker i sprayeren, da dette kan skade tanken og slangen.
- ◆ Efterlad ikke overskydende væske eller sprøjtemateriale i tanken efter brug af sprayeren.
- ◆ Ryg ikke, mens du sprøjter, og sprøjt ikke i nærheden af gnister eller flammer.
- ◆ Kontroller både indersiden og ydersiden af sprayeren, før du anvender den.
- ◆ Tøm, rengør og drøn både tanken og slangen efter endt brug som beskrevet i instruktionerne.
- ◆ Brug ikke pistoler til at sprøjte letantændelige materialer.
- ◆ Sprøjt aldrig med materialer, hvor du ikke kender risici.
- ◆ Brug kun væsker, som ikke kan antænde.
- ◆ Tilskadekomst forårsaget af udskiftning af dele, blade eller tilbehør.
- ◆ Tilskadekomst forårsaget af langvarig brug af et værktøj. Husk at holde pause jævnligt ved brug af et værktøj i længere tid.
- ◆ Høreskader.
- ◆ Sundhedsrisici forårsaget af indånding af støv, der genereres ved brug af værktøjet (eksempel: arbejde med træ, især, eg, bøg og MDF).

Andres sikkerhed

- ◆ Dette apparat er ikke egnet for at brug af personer (inklusive børn) med manglende fysiske, sensorielle eller mentale evner eller erfaring, med mindre de har modtaget undervisning eller instruktioner i brug af apparatet fra en person, som er ansvarlig for sikkerheden.
- ◆ Der skal være opsyn med børn for at sikre, at de ikke leger med apparatet.

Ekstra sikkerhedsinstruktioner for batterier og ladere

Batterier

- ◆ Man må aldrig forsøge at åbne et batteri.
- ◆ Udsæt det ikke for vand.
- ◆ Det må ikke opbevares i lokaler, hvor temperaturen overstiger 40 °C.
- ◆ Det må kun oplades ved omgivelsestemperaturer mellem 10 °C og 40 °C.
- ◆ Oplad kun med den vedlagte oplader.
- ◆ Ved kassering af batterier, skal man følge vejledningen i afsnittet "Beskyttelse af miljøet".

Opladere

- ◆ Din Black & Decker lader må kun benyttes til at oplade batteriet som følger med værktøjet. Andre batterier kan eksplodere og derved forårsage personskader og skader på ting.
- ◆ Man må aldrig forsøge at genoplade ikke-opladelige batterier.
- ◆ Defekte ledninger skal straks udskiftes.
- ◆ Udsæt ikke opladeren for vand.
- ◆ Opladeren må ikke åbnes.
- ◆ Opladeren må ikke manipuleres.



Opladeren er kun beregnet til indendørs brug.



Læs brugsanvisningen, før du tager værktøjet i brug.

Personlig sikkerhed

- Yderligere udstyr til personsikkerhed, såsom passende handsker samt en respirator eller maske, skal altid bruges ved håndtering af kemikalier.** Sikkerhedsudstyr anvendt under de rigtige omstændigheder vil altid reducere risikoen for personskader.
- Sprøjt aldrig på dig selv, på andre personer eller på dyr. Hold hænder og andre kroppsdele væk fra mundingen. I tilfælde af kontakt med huden, så kontakt øjeblikkeligt en læge.** Det udsendte materiale kan gå igennem huden og blive sprøjtet ind i kroppen.
- Behandl ikke indsprøjtning som et almindeligt sår.** Indsprøjtning kan betyde skadelige giftstoffer i kroppen, som kan forårsage alvorlige indre kvæstelser. I tilfælde af indsprøjtning, så kontakt øjeblikkeligt en læge.
- Vær opmærksom mulige farer, ved det materiale, der sprøjtes med. Se markeringerne på sprøjtematerialets beholder eller den information, som producenten har vedlagt inklusive anbefalinger vedrørende brug af beskyttelsesudstyr.** Producentens instruktioner skal altid følges for at nedsætte risikoen for brand og personskader på grund af giftstoffer, kræftfremkaldende stoffer etc.

Restrisici

Der kan opstå yderligere restrisici under brugen af værktøjet, som ikke kan medtages i vedlagte sikkerhedsadvarsler. Disse risici kan opstå p.g.a. forkert anvendelse, langvarig brug etc.

Selv ved overholdelse af relevante sikkerhedsforskrifter og anvendelse af sikkerhedsudstyr kan visse restrisici ikke undgås. Disse omfatter:

- ◆ Tilskadekomst forårsaget af berøring af roterende/ bevægelige dele.



Fejlsikker isolerende transformere. Strømforsyningen er elektrisk adskilt fra transformere ns udgang.



Opladeren afbrydes automatisk, hvis den omgivende temperatur bliver for høj. Som følge heraf kan opladeren ikke længere fungere. Denne enhed skal afbrydes fra strømforsyningen og bringes til reparation på autoriseret serviceværksted.

El-sikkerhed



Din oplader er dobbelt isoleret. Derfor er jordledning ikke nødvendig. Før brug skal det kontrolleres, at netspændingen svarer til den, der er angivet på typeskiltet.

Advarsel! Forsøg aldrig at udskifte opladerenheden med et almindeligt netstik.

Funktioner

1. Afbryder
2. Bærestrop
3. Stav
4. Stavhåndtag
5. Tankdæksel
6. Sugelang
7. Dyse
8. Sprayer-hoved
9. Tank

Montering og justering

Advarsel! Sørg for, at sprayeren er slukket.

Montering af bæreselen (fig. A)

- ◆ Anbring selens (2) spænder (10) i åbningerne (11) oven på sprayer-hovedet.

Samling af sprøjtestaven (fig. B)

- ◆ Sæt staven (3) ned i stavhåndtaget (4) indtil det låses på plads.
- ◆ Stram kappen (12) fast på håndtaget.

Montering af dysen (fig. C)

- ◆ Skru dysen (7) fast på stavens spids (13).

Justering af den kegleformede dyse

- ◆ Drej dysen (7) med uret for at mindske spredestrålen.
- ◆ Drej dysen (7) med uret for at mindske spredestrålen.

Aftagning og genindsætning af sprayer-hovedet (fig. D & E)

- ◆ Skru tankdækslet (5) af (fig. D1).
- ◆ Fjern sugelang (6) fra tanken (9).
- ◆ Udløs tappen (14) ved at trykke den ned (fig. E).
- ◆ Løft bagenden af sprayer-hovedet (8) og ryk det fremad (fig. D2).
- ◆ Træk sprayer-hovedet (8) af.
- ◆ For at sætte sprayer-hovedet (8) i igen skal du rette hullerne (15) i sprayer-hovedet ind efter tapperne (16) oven på tanken (9) (fig. D2 & D3).
- ◆ Ryk sprayer-hovedet (8) bagud, indtil det låses på plads.
- ◆ Sæt konsollen (17) på plads over låseanordningen (18) (fig. E).
- ◆ Skub kanten (14) opad, til den låses på plads.
- ◆ Placer sugelang (6) i tanken.
- ◆ Sæt tankdækslet (5) på plads igen og stram det.

Brug

Advarsel!

- ◆ Brug sikkerhedsudstyr.
- ◆ Sprøjt kun i velventilerede områder.
- ◆ Brug kun de anbefalede kemikalier, som beskrevet i denne manual.

Opladning af batteriet (fig. F)

Batteriet skal oplades, før det tages i brug for første gang, og derefter skal der genoplades når maskinen virker træg og ikke længere arbejder med vanlig præstation. Når batteriet oplades for første gang eller efter en længere periode uden at være brugt, kan det kun oplades 80%. Efter adskillige opladnings- og afladningsperioder opnår batteriet fuld kapacitet. Batteriet kan blive opvarmet under opladning; dette er normalt og er ikke ensbetydende med, at der er problemer.

Warning Batteriet må ikke oplades i omgivelsestemperaturer på under 10 °C eller over 40 °C.

Anbefalet opladningstemperatur: ca. 24 °C.

- ◆ Træk stikbeskytteren ud (19).
- ◆ Sæt opladerstikket (20) i opladerkontakt (21) på bagsiden af apparatet.
- ◆ Forbind opladeren til stikkontakten.
- ◆ Tænd for kontakten.
- ◆ Lad udstyret sidde i opladeren i 14-18 timer.

Under opladningen kan opladeren blive varm. Det er normalt og er ikke noget problem. Apparatet kan være tilsluttet opladeren på ubestemt tid.

- ◆ Før brug af udstyret afbrydes opladeren, og udstyret afmonteres.
- ◆ Anbring stikbeskytteren (19) igen.

Advarsel! Udstyret kan ikke bruges, mens det er koblet til opladeren.

Opfyldning af tanken (fig. D1)

- ◆ Løsn tankdækslet (5).
- ◆ Fjern sugeslangen (6) fra tanken (9).
- ◆ Fyld tanken med væsken.

Advarsel! Brug kun passende kemikalier, som beskrevet i denne manual.

Tænding og slukning

- ◆ For at tænde, tryk på knappen (1).
- ◆ For at slukke, slip knappen (1).

Advarsel!

- ◆ Sprøjt altid med vinden og væk fra mennesker og dyr.
- ◆ Anvend udelukkende dyser, der er specificeret af fabrikanten.
- ◆ Hvis dysen stopper til, skal udstyret øjeblikkeligt slukkes.

Rengøring og vedligeholdelse

Advarsel!

- ◆ Opbevar ikke kemikalier i udstyret.
- ◆ Brug ikke stærke koncentrerede eller slibende rengøringsmidler.
- ◆ Rengøringsmiddelproducentens instruktioner skal altid følges.
- ◆ Kasser giftige væsker i overensstemmelse med lokale love.

Rengøring af tanken

Udstyret skal gøres rent efter brug.

- ◆ Fjern sprayer-hovedet (8).
- ◆ Hvis der er noget væske tilbage, så hæld den tilbage i den oprindelige beholder eller gem den i en passende en.
- ◆ Fyld 1/3 af tanken (9) med rent vand og sæbe.

Advarsel! Brug ikke letantændelige væsker til rengøring.

- ◆ Sæt sprayer-hovedet (8) tilbage.
- ◆ Sprøjt tankens (9) indhold ud, til den er tom.
- ◆ Gentag dette det nødvendige antal gange.

Rengøring af filteret (fig. D1)

Hvis væskens strømningshastighed nedsættes, kan filteret blive stoppet til. Gør følgende for at rengøre filteret:

- ◆ Løsn tankdækslet (5).
- ◆ Fjern sugeslangen (6) fra tanken (9).
- ◆ Vask filteret i varmt sæbevand.

Opbevaring (fig. G & H)

Advarsel! Udstyret må ikke opbevares i et lokale, hvor temperaturen falder til under 0 °C.

- ◆ Rengør og tør alle udstyrets dele, hvis det ikke anvendes i mere end en dag.
- ◆ Monter stavhåndtaget (4) på sidespænderne (22) (fig. G).
- ◆ Sæt slangen (23) fast til sprayer-hovedet (8) med Velcrolukningen (24) (fig. H).

Tilbehør

Værktøjets ydeevne afhænger af, hvilket tilbehør der bruges. Black & Decker- og Piranha-tilbehør er konstrueret, så det opfylder høje kvalitetsstandarder, og det er beregnet til at forbedre værktøjets ydeevne. Bruger du dette tilbehør, vil du få det allerbedste ud af værktøjet.

Fejlfinding

Hvis værktøjet ikke fungerer korrekt, skal følgende undersøges.

Fejl	Mulig årsag	Afhjælpning
Væskestrømmen mindskes eller stopper.	Filteret er stoppet til.	Kontrollér filteret for enden af sugeslangen. Vask filteret i varmt sæbevand.
	Svagt batteri.	Genoplad batteriet.
	Sugeslangen når ikke helt ned i tanken.	Skub sugeslangen helt ned.
Enheden starter ikke.	Batteriet er ikke opladt.	Check om batteriet skal oplades.

Beskyttelse af miljøet



Separat indsamling. Dette produkt må ikke bortskaftes sammen med almindeligt husholdningsaffald.

Hvis du en dag skal udskifte dit Black & Decker produkt, eller hvis du ikke skal bruge det længere, må du ikke bortskaft det sammen med husholdningsaffald. Dette produkt skal være tilgængeligt for separat indsamling.



Separat indsamling af brugte produkter og emballage gør det muligt at genbruge materialer. Genbrugte materialer forebygger miljøforurening og nedbringer behovet for råstoffer.

Lokale regler kan give mulighed for separat indsamling af elektriske husholdningsprodukter på kommunale lossepladser eller hos den forhandler, som du købte produktet af.

Black & Decker har en facilitet til indsamling og genbrug af Black & Decker-produkter, når deres levetid er slut. Få fordelene ved denne service ved at returnere produktet til en autoriseret tekniker, der samler værktøj sammen på vores vegne.

Du kan få oplyst den nærmeste autoriserede tekniker ved at kontakte det lokale Black & Decker-kontor på den adresse, der er angivet i denne brugsanvisning. Alternativt findes der en liste over autoriserede Black & Decker-teknikere og oplysninger om vores eftersalgsservice og kontaktpersoner på Internettet på adressen: www.2helpU.com

Batteri (fig. I & J)



Black & Decker batterier kan oplades mange gange. Hvis du selv ønsker at bortskaffe produktet, skal batteriet afmonteres som beskrevet herunder og bortskaffes i overensstemmelse med gældende miljøbestemmelser.

Advarsel!

- ◆ Afbryd strømforsyningen til apparatet, før batteriet fjernes.
- ◆ Kortslut ikke batteripolerne.
- ◆ Brænd ikke batteriet, da dette kan lede til eksplosion.
- ◆ Det anbefales at aflade batteriet ved at lade det køre, til motoren standser.
- ◆ Fjern sprayer-hovedet (8).
- ◆ Fjern skruerne (25) i bunden (fig. I).
- ◆ Fjern skruerne (26) fra siden.
- ◆ Åbn batterihuset.
- ◆ Fjern begge sider af indkapslingen (27).
- ◆ Fjern batteridækslet (28) (fig. J).
- ◆ Træk batteriet ud af apparatet.
- ◆ Træk polklemmerne (29) af.
- ◆ Læg batteriet i en dertil egnet emballage for at undgå, at polerne kortsluttes.
- ◆ Bring batteriet til din forhandler eller en lokal genbrugscentral. Indsamlede batterier vil blive genbrugt eller kasseret på korrekt vis.

Tekniske data

GSC500 H2	
Spænding	V_{DC} 14,4
Kapacitet	l 4,7
Vægt	kg 2

Lader

VA170020D	
Spænding	V_{AC} 230
Udgangsspænding	V_{AC} 17
Amperetal	mA 200
Opladningstid (ca.)	h 14-18
Vægt	kg 0,2

Lydniveau i henhold til EN 60745:

Lydtryk (L_{pA}) 76,5 dB(A), usikkerhed (K) 3 dB(A)

Lydintensitet (L_{WA}) 87,5 dB(A), usikkerhed (K) 3 dB(A)

Vibrationernes totale værdi (triax vector sum) i henhold til EN 60745:

Hånd/arm vægget vibration 0,26 m/s²

Reserve dele/Reparationer

Reserve dele kan købes hos autoriserede Black & Decker serviceværksteder, som giver forslag til omkostninger og reparerer vore produkter. Oversigt over vore autoriserede værksteder findes på internettet på vor hjemmeside www.blackanddecker.dk samt www.2helpU.com

Garanti

Black & Decker garanterer, at produktet er fri for materielle skader og/eller fabrikationsfejl ved levering til kunden. Garantien er et tillæg til konsumentens lovlige rettigheder og påvirker ikke disse. Garantien gælder indenfor medlemsstaterne af den Europæiske Union og i det Europæiske Frihandelsområde.

Hvis et Black & Decker produkt går i stykker på grund af materiel skade og/eller fabrikationsfejl eller på anden måde ikke fungerer i overensstemmelse med specifikationen, inden for 24 måneder fra købsdatoen, påtager Black & Decker sig at reparere eller ombytte produktet med mindst muligt besvær for kunden.

Garantien gælder ikke for fejl og mangler, der er sket i forbindelse med:

- ◆ normal slitage
- ◆ uheldige følger efter unormal anvendelse af værktøjet
- ◆ overbelastning, hæværk eller overdrevent intensivt brug af værktøjet
- ◆ ulykkeshændelse

Garantien gælder ikke hvis reparationer er udført af nogen anden end et autoriseret Black & Decker værksted.

For at udnytte garantien skal produktet og købskvitteringen indleveres til forhandleren eller til et autoriseret værksted, senest 2 måneder efter at fejlen opdages. For information om nærmeste autoriserede værksted: kontakt det lokale Black & Decker kontor på den adresse som er opgivet i brugsanvisningen. Liste over alle autoriserede Black & Decker serviceværksteder samt servicevilkår er tilgængelig på internettet, på adressen www.2helpU.com

Gå venligst ind på vores website www.blackanddecker.dk for at registrere dit nye produkt og for at blive holdt ajour om nye produkter og specialtilbud. Der findes yderligere oplysninger om mærket Black & Decker og vores produktsortiment på adressen www.blackanddecker.dk

Käyttötarkoitus

Hankkimasi Black & Decker -ruisku on suunniteltu nurmikko- ja puutarhakemikaaleja kuten hyönteis-, sien- ja rikkaruohomyrkkyjä sekä lannoitusaineita sisältävän veden suihkuttamiseen. Tämä tuote on tarkoitettu ainoastaan kotikäyttöön.

Yleiset turvallisuutta koskevat säännöt

Varoitus!

- ◆ Lue kaikki ohjeet, myös käyttöturvallisuustiedote (Material Safety Data Sheet eli MSDS) sekä kemikaalisäiliöiden tuoteselosteet.
- ◆ Lue kaikki turvallisuusohjeet, joissa on m-merkki, myös käyttöturvallisuustiedotteet (Material Safety Data Sheet eli MSDS) sekä kemikaalisäiliöiden tuoteselosteet ja kaikki ohjeet.
- ◆ Kaikki ohjeet täytyy lukea. Alla olevien ohjeiden noudattamisen laiminlyönti saattaa johtaa sähköiskun, tulipaloon ja/tai vakavaan loukkaantumiseen. Seuraavassa käytetty käsite "sähköyökalu" käsittää verkkokäyttöiset sähköyökalut (verkkojohdolla) ja paristokäyttöiset sähköyökalut (ilman verkkojohtoa).

SÄILYÄ NÄMÄ OHJEET HYVIN.

1. Työpisteen turvallisuus

- a. **Pidä työskentelyalue puhtaana ja hyvin valaistuna.** Työpaikan epäjärjestys ja valaisemattomat työalueet voivat johtaa tapaturmiin.
- b. **Älä työskentele sähköyökalulla räjähdysalttiissa ympäristössä, jossa on palavaa nestettä, kaasua tai pölyä.** Sähköyökalu muodostaa kipinöitä, jotka saattavat sytyttää pölyn tai höyryä.
- c. **Pidä lapset ja sivulliset loitolla sähköyökalua käyttäessäsi.** Voit menettää laitteesi hallinnan huomiosi suuntautuessa muualle.

2. Sähköturvallisuus

- a. **Sähköyökalun pistotulpan tulee sopia pistorasiaan. Pistoketta ei saa muuttaa millään tavalla. Älä käytä minkäänlaisia sovittipistokkeita maadoitettujen sähköyökalujen kanssa.** Alkuperäisessä tilassa olevat pistokkeet ja sopivat pistorasiat vähentävät sähköiskun vaaraa.
- b. **Vältä koskettamasta maadoitettuja pintoja, kuten putkia, pattereita, liesiä tai jääkaappeja.** Sähköiskun vaara kasvaa, jos kehosi on maadoitettu.
- c. **Älä altista sähköyökalua sateelle tai kosteudelle.** Veden tunkeutuminen sähköyökalun sisään kasvattaa sähköiskun riskiä.
- d. **Älä käytä verkkojohtoa väärin. Älä käytä sitä sähköyökalun kantamiseen, vetämiseen tai pistotulpan irrottamiseen pistorasiasta.**

Pidä johto loitolla kuumuudesta, öljystä, terävistä reunoista ja liikkuvista osista. Vahingoittuneet tai sotkeutuneet johdot lisäävät sähköiskun vaaraa.

- e. **Käyttäessäsi sähköyökalua ulkona, käytä ainoastaan ulkokäyttöön soveltuvaa jatkojohtoa.** Ulkokäyttöön soveltuvan jatkojohdon käyttö vähentää sähköiskun vaaraa.

3. Henkilöturvallisuus

- a. **Ole valpas, kiinnitä huomiota työskentelyysi ja noudata tervettä järkeä sähköyökalua käyttäessäsi. Älä käytä sähköyökalua, jos olet väsynyt tai huumeiden, alkoholin tai lääkkeiden vaikutuksen alaisena.** Hetken tarkkaamattomuus sähköyökalua käytettäessä saattaa johtaa vakavaan loukkaantumiseen.
- b. **Käytä suojavarusteita. Käytä aina suojalaseja.** Suojavarusteet, kuten pölynsuojanaamari, luistamattomat turvajalkineet, kypärä ja kuulosuojaimet pienentävät, tilanteen mukaan oikein käytettynä, loukkaantumisriskiä.
- c. **Vältä sähköyökalun tahatonta käynnistämistä. Varmista, että kytkin on off-asennossa ennen kytkennän tekemistä.** Onnettomuusvaara lisääntyy, jos kannat sähköyökalua sormi käyttökytkimellä tai kytket työkalun virtajohdon pistorasiaan, kun käyttökytkin on päällä.
- d. **Poista kaikki säätöyökalut ja ruuvitaltat, ennen kuin käynnistät sähköyökalun.** Laitteen pyörivään osaan jäänyt sähköyökalu tai avain saattaa johtaa loukkaantumiseen.
- e. **Älä kurkota. Seiso aina tukevasti ja tasapainossa.** Täten voit paremmin hallita sähköyökalua odottamattomissa tilanteissa.
- f. **Käytä tarkoitukseen soveltuvia vaatteita. Älä käytä löysiä työvaatteita tai koruja. Pidä hiukset, vaatteet ja käsiineet loitolla liikkuvista osista.** Väljät vaatteet, korut ja pitkät hiukset voivat takertua liikkuviin osiin.
- g. **Jos polynimu- ja keräilylaitteita voidaan asentaa työkaluun, sinun pitää tarkistaa, että ne on liitetty ja että niitä käytetään oikealla tavalla.** Näiden laitteiden käyttö vähentää pölyn aiheuttamia vaaroja.

4. Sähköyökalujen käyttö ja hoito

- a. **Älä ylikuormita sähköyökalua. Käytä kyseiseen työhön tarkoitettua sähköyökalua.** Sopivaa sähköyökalua käyttäen työskentelet paremmin ja varmemmin tehoalueella, jolle sähköyökalu on tarkoitettu.
- b. **Älä käytä sähköyökalua, jota ei voida käynnistää ja pysäyttää virtakytkimestä.** Sähköyökalu, jota ei enää voida käynnistää ja pysäyttää käynnistyskytkimellä, on vaarallinen ja se täytyy korjata.

- c. **Irrota pistotulppa pistorasiasta, ennen kuin suoritat säätöjä, vaihdat tarvikkeita tai siirrä sähkötyökalun varastoitavaksi.** Nämä turvatoimenpiteet laskevat sähkötyökalun tahatonta käynnistysriskiä.
- d. **Säilytä sähkötyökalu poissa lasten ulottuvilta, kun niitä ei käytetä. Älä anna sellaisten henkilöiden käyttää sähkötyökalua, jotka eivät tunne sitä tai jotka eivät ole lukeneet tätä käyttöohjetta.** Sähkötyökalut ovat vaarallisia, jos niitä käytävät kokemattomat henkilöt.
- e. **Hoida sähkötyökalusi huolella. Tarkista, että liikkuvat osat toimivat moitteettomasti, eivätkä ole puristuksessa ja että sähkötyökalussa ei ole murtuneita tai vahingoittuneita osia, jotka saattaisivat vaikuttaa haitallisesti sen toimintaan. Korjauta mahdolliset viat ennen käyttöönottoa.** Moni tapaturma aiheutuu huonosti huolletuista sähkötyökaluista.
- f. **Pidä leikkausterät terävinä ja puhtaina.** Huolellisesti hoidetut leikkaustyökalut, joiden terät ovat teräviä, eivät tartu helposti kiinni ja niitä on helpompi hallita.
- g. **Käytä sähkötyökaluja, tarvikkeita, vaihtotyökaluja jne. näiden ohjeiden mukaisesti ja tavalla, joka on tarkoitettu erityisesti kyseiselle sähkötyökalulle. Ota tällöin huomioon työolosuhteet ja suoritettava toimenpide.** Sähkötyökalun käyttö muuhun kuin tarkoituksenmukaiseen käyttöön saattaa johtaa vaarallisiin tilanteisiin.

5. Akkukäyttöisten työkalujen käyttö ja hoito

- a. **Varmista, että virtakytkin on off-asennossa, ennen kuin asennat akun työkaluun.** Akun asennus sähkötyökaluun, jonka käynnistyskytkin on käyntiasennossa, altistaa onnettomuuksille.
- b. **Lataa akku vain valmistajan määrittelemällä laturilla.** Laturi, joka soveltuu määrätyn tyyppiselle akulle, saattaa muodostaa tulipalovaaran erilaista akkua ladattaessa.
- c. **Käytä sähkötyökalussa ainoastaan kyseiseen sähkötyökaluun tarkoitettua akkua.** Jonkun muun akun käyttö saattaa johtaa loukkaantumiseen ja tulipaloon.
- d. **Pidä irrallista akkua loitolla metalliesineistä, kuten paperinliittimistä, kolikoista, avaimista, nauloista, ruuveista tai muista pienistä metalliesineistä, jotka voivat oikosulkea akun koskettimet.** Akun kosketinten välinen oikosulku saattaa aiheuttaa palovammoja tai johtaa tulipaloon.
- e. **Väärästä käytöstä johtuen saattaa akusta vuotaa nestettä, jota ei tule koskettaa. Jos nestettä vahingossa joutuu iholle, huuhtelee kosketuskohta vedellä. Jos nestettä pääsee silmiin, tarvitaan tämän lisäksi lääkärin apua.** Akusta vuotava neste saattaa aiheuttaa ärsytystä ja palovammoja.

6. Huolto

- a. **Anna koulutettujen ammattitaitoisten henkilöiden korjata sähkötyökalusi ja hyväksy korjauksiin vain alkuperäisiä varaosia.** Täten varmistat, että sähkötyökalu säilyy turvallisena.

Lisäturvaohjeet

Varoitus!

- ◆ Lue kaikki laitteiden ja ruiskutettavien aineiden ohjeet ja turvaohjeet ennen minkään laitteen käyttöä.
- ◆ Noudata kaikkia asiaankuuluvia paikallisia, alueellisia ja valtiollisia lakeja, jotka koskevat ilmanvaihtoa, palontorjuntaa ja käyttöä.
- ◆ Säilytä ruisku poissa lasten ulottuvilta.
- ◆ Kuulosuojainten käyttöä suositellaan pidempiaikaisessa käytössä.
- ◆ Käytä silmäsuojainta, jotta estät hiukkasten pääsyn silmiisi.

Vaaralliset höyryt

Hyönteismyrkyt ja muut aineet voivat olla haitallisia, jos niitä hengitetään sisään ja ne aiheuttavat pahoinvointia, tajunnan menetystä ja myrkytyksiä.

- a. Käytä hengityssuojainta tai kasvosuojusta aina kun on höyryjen sisäänhengittämisen vaara. Lue kaikki ruiskutettavien aineiden ja kasvosuojuksen mukana tulevat ohjeet varmistaaksesi, että se takaa tarpeellisen suojauksen haitallisten höyryjen sisäänhengitystä vastaan.

Lisää ruiskuja koskevia turvallisuusohjeita

Laitteessa on seuraavat varoitusmerkit:



Älä altista laitetta sateelle tai kosteudelle.



Lue käyttöohje huolellisesti ennen laitteen käyttöönottoa.



Älä hävitä polttamalla.



Pidä sivulliset loitolla.



Käytä suojalaseja työkalua käyttäessäsi.



Käytä hengityssuojainta tai kasvosuojusta.



Käytä ainoastaan syttymättömiä nesteitä.

Varoitus!

- ◆ Lue ennen minkään kasvinsuojeluaineen tai muiden ruiskutettavien aineiden käyttöä tässä ruiskussa perusteellisesti aineen alkuperäispakkauksessa oleva tuoteseloste ja noudata sen ohjeita. Jotkin ruiskutettavat aineet ovat vaarallisia eikä niitä saa käyttää tässä ruiskussa, koska ne voivat vahingoittaa ruiskua ja aiheuttaa vakavia ruumiinvammoja ja omaisuusvahinkoja.
- ◆ Varmista ennen jokaista käyttöä, että kuka tahansa laitteen käyttäjä lukee ja ymmärtää kaikki turvallisuusohjeet ja muut tässä oppaassa olevat tiedot.
- ◆ Älä käytä puutarhakoneita kaasuisessa tai räjähdysalttiissa ympäristössä. Tällaisten laitteiden moottorit yleensä kipinöivät ja kipinät saattavat sytyttää höyryt.
- ◆ Älä käytä kaupallisen käytön tasoisia kemikaaleja äläkä käytä laitetta kaupalliseen tai teolliseen käyttöön. Käytä ainoastaan kuluttajatasoisia vesipohjaisia nurmikko- ja puutarhakemikaaleja.
- ◆ Älä käytä kaustisia (emäs) itsestään kuumenevia tai syövyttäviä (happo) nesteitä tässä ruiskussa, koska ne voivat syövyttää metalliosia ja heikentää letkua ja tiivisteitä.
- ◆ Älä käytä ruiskussa kuumia tai kiehuvia nesteitä, koska ne voivat heikentää säiliötä ja letkua.
- ◆ Älä jätä jäämiä tai ruiskutettavia aineita säiliöön ruiskun käytön jälkeen.
- ◆ Älä tupakoi ruiskutuksen aikana tai ruiskuta, kun lähellä on kipinöitä.
- ◆ Tutki perusteellisesti ruiskun sisä- ja ulkopuoli ennen sen jokaista käyttöä.
- ◆ Tyhjennä, puhdista ja kuivata sekä säiliö että letku jokaisen käytön jälkeen ohjeiden mukaisesti.
- ◆ Älä käytä ruiskupistooleja helposti syttyvien aineiden ruiskutukseen.
- ◆ Älä ruiskuta mitään sellaista ainetta, joiden mahdollisista vaaroista ei ole tietoa.
- ◆ Käytä ainoastaan syyttymättömiä nesteitä.

Henkilöturvallisuus

- a. **Kemikaalien käsittelyn aikana on käytettävä turvallisuutta lisääviä välineitä kuten sopivia käsineitä, hengityssuojainta tai kasvinsuojusta.** Olosuhteisiin soveltuvien turvavarusteiden käyttö vähentää henkilökohtaisten vammojen saamista.
- b. **Älä ruiskuta itseäsi, muita henkilöitä tai eläimiä kohti. Pidä kädet ja muut vartalosi osat etäällä ruiskun vaikutusalueelta. Jos iho lävistyy, hankkiudu välittömästi lääkäriin.** Ruiskutettu aine voi lävistää ihon ja sitä voi injektoida vartaloon.
- c. **Älä kohtele injektointikohtaa tavallisena haavana.** Ruiske voi injektoida myrkyjä vartaloon ja aiheuttaa vakavia ruumiillisia vammoja. Jos tapahtuu injektointi, hankkiudu välittömästi lääkäriin.

- d. **Ole tietoinen kaikista ruiskutettavan aineen vaaroista. Katso ruiskutettavan aineen säiliössä olevia merkintöjä tai sen valmistajan antamia tietoja, ja myös henkilökohtaisten suojavarusteiden vaatimuksia.**

Valmistaja ohjeita on noudatettava, jotta vähennetään tulipalon ja henkilökohtaisten vammojen vaaraa, jotka johtuvat myrkyistä, karsinogeenista jne.

Jäännösriskit

Jäännösriskit ovat mahdollisia, jos käytät työkalua muulla kuin turvavaroituksissa mainitulla tavalla. Nämä riskit voivat liittyä muun muassa virheelliseen tai pitkäaikaiseen käyttöön.

Tiettyjä jäännösriskejä ei voi välttää, vaikka noudatat kaikkia turvamaarajoituksia ja käytät turvalaitteita. Näihin kuuluvat muun muassa:

- ◆ Pyörivien tai liikkuvien osien koskettamisen aiheuttamat vahingot
- ◆ Osia, teriä tai lisävarusteita vaihdettaessa aiheutuneet vahingot
- ◆ Työkalun pitkäaikaisen käytön aiheuttamat vahingot. Kun käytät työkalua pitkään, varmista, että pidät säännöllisesti taukoja.
- ◆ Kuulon heikentyminen.
- ◆ Työkalua käytettäessä (esimerkiksi puuta, erityisesti tammaa, pyökkiä ja MDF-levyjä, käsiteltäessä) syntyneen pölyn sisäänhengityksen aiheuttamat terveystriskit.

Muiden turvallisuus

- ◆ Henkilöt (lapset mukaan lukien), joilla on fyysisiä, tunnollisia tai henkisiä rajoituksia tai rajallinen kokemus ja tuntemus, eivät saa käyttää tätä laitetta ellei heidän turvallisuudesta vastaava henkilö valvo tai ohjaa heitä laitteen käytössä.
- ◆ Lapsia on valvottava, etteivät he leiki koneen kanssa.

Lisäturvaohteet akuille ja latureille**Akut**

- ◆ Älä koskaan yritä avata akkua.
- ◆ Älä altista akkua vedelle.
- ◆ Älä säilytä akkua paikassa, jonka lämpötila saattaa ylittää 40 °C.
- ◆ Lataa akku ainoastaan lämpötilan ollessa välillä 10 °C - 40 °C.
- ◆ Lataa akku käyttäen ainoastaan työkalun mukana toimitettua laturia.
- ◆ Kun poistat akkun käytöstä, noudata kappaleessa "Ympäristö" annettuja ohjeita.

Laturit

- ◆ Käytä Black & Decker -laturia ainoastaan työkalun mukana toimitetun akun lataamiseen. Muunlaiset akut saattavat räjähtää aiheuttaen henkilö- ja omaisuusvahinkoja.
- ◆ Älä koskaan yritä ladata ei-ladattavia akkuja.
- ◆ Vaihda vialliset johdot välittömästi.
- ◆ Älä altista laturia vedelle.
- ◆ Älä avaa laturia.
- ◆ Älä vahingoita laturia.



Laturi on tarkoitettu vain sisäkäyttöön.



Lue käyttöohje huolellisesti ennen käyttöä.



Erotusmuuntaja on vian sattuessa turvallinen. Virtälähde on sähköisesti erillään muuntajan ulostulosta.



Kun ympäristön lämpötila kohoaa liian korkeaksi, laturi kytkeytyy automaattisesti pois päältä. Tällöin laturi ei toimi. Laite on irrotettava verkkovirrasta ja vietävä valtuutettuun huoltokeskukseen korjattavaksi.

Sähköturvallisuus



Laturi on kaksoiseristetty; siksi erillistä maadoitusta ei tarvita. Tarkista aina ennen laitteen käyttöä, että verkkojännite vastaa arvokilvessä ilmoitettua jännitettä.

Varoitus! Älä koskaan yritä vaihtaa laturia normaaliin verkkovirtapistokkeeseen.

Ominaisuudet

1. Virrankatkaisija
2. Kantohihna
3. Ruiskutusputki
4. Ruiskutusputken kahva
5. Säiliön korkki
6. Imuputki
7. Suutin
8. Nestepumppu
9. Säiliö

Kokoaminen ja säätö

Varoitus! Varmista, että ruisku on pois päältä.

Kantohihnan asennus (kuva A)

- ◆ Kiinnitä hihnan (2) kiinnittimet (10) sen nestepumppussa oleviin aukkoihin (11).

Ruiskutusputken kokoaminen (kuva B)

- ◆ Aseta putki (3) putken kahvaan (4), kunnes se lukkiutuu paikalleen.
- ◆ Kiristä korkki (12) kahvaan.

Suuttimen kiinnittäminen (kuva C)

- ◆ Ruuvaa suutin (7) kahvan kärkeen (13).

Kartiomaisten suutinten säätäminen

- ◆ Käännä suutinta (7) myötäpäivään kapea-alaista sumutuskäyttöä varten.
- ◆ Käännä suutinta (7) vastapäivään laaja-alaista sumutuskäyttöä varten.

Nestepumpun irrotus ja vaihto (kuva D & E)

- ◆ Ruuvaa auki säiliön korkki (5) (kuva D1).
- ◆ Irrota imuputki (6) säiliöstä (9).
- ◆ Avaa salpa (14) painamalla sitä alaspäin (kuva E).
- ◆ Nosta nestepumpun (8) takaosa ja siirrä sitä eteenpäin (kuva D2).
- ◆ Irrota nestepumppu (8).
- ◆ Nestepumppu (8) liitetään kohdistamalla nestepumppussa olevat reiät (15) säiliön (9) päällä olevien kielekkeiden kanssa (kuva D2 & D3).
- ◆ Siirrä nestepumppua (8) taaksepäin, kunnes se lukittuun paikalleen.
- ◆ Sovita kiinnike (17) salpajatkkeen (18) ylitse (kuva E).
- ◆ Työnnä ulkonemaa (14), kunnes se lukittuun paikalleen.
- ◆ Sijoita imuputki (6) säiliöön.
- ◆ Aseta säiliön korkki (5) paikalleen ja kiristä se.

Käyttö

Varoitus!

- ◆ Käytä suojavarusteita.
- ◆ Ruiskuta ainoastaan hyvin tuulettuissa paikoissa.
- ◆ Käytä ainoastaan suositeltuja kemikaaleja turvallisuusohjeiden mukaisesti.

Akun lataaminen (kuva F)

Akku tulee ladata ennen ensimmäistä käyttökertaa ja aina silloin, kun se ei enää tuota riittävästi virtaa toimintoihin, jotka aikaisemmin hoituivat helposti. Ladatessasi akkua ensimmäistä kertaa tai pitkäaikaisen säilytyksen jälkeen, latautuu se vain 80 %:sesti. Usean lataamis- ja tyhjentymiskerran jälkeen akku saavuttaa täyden kapasiteettinsa. Akku voi lämmetä ladattaessa; tämä on normaalia eikä ole merkinä minkäänlaisesta ongelmasta.

Varoitus! Älä lataa akkua alle 10 °C tai yli 40 °C asteen lämpötiloissa. Suositeltu lämpötila lataamiseen on noin 24 °C.

- ◆ Irrota pistorasian kansi (19).
- ◆ Liitä laturin pistoke (20) liittimeen (21), joka on laitteen takana.

- ◆ Kytke laturi virtalähteeseen.
- ◆ Kytke se päälle.
- ◆ Anna laitteen olla liitettynä laturiin 14-18 tuntia.

Laturi saattaa lämmentä latauksen aikana. Tämä on täysin normaalia eikä ole merkinä ongelmasta. Laite voi olla kytkettynä laturiin kuinka kauan tahansa.

- ◆ Irrota ennen laitteen käyttöä laturi verkkovirrasta ja kytke laite irti laturista.
- ◆ Aseta pistorasian kansi takaisin paikalleen (19).

Varoitus! Tämä laite ei toimi, kun se on liitettynä laturiin.

Säiliön täyttö (kuva D1)

- ◆ Avaa säiliön korkki (5).
- ◆ Irrota imuputki (6) säiliöstä (9).
- ◆ Täytä säiliöön sopivaa nestettä.

Varoitus! Käytä ainoastaan soveltuvia kemikaaleja turvallisuusohjeiden mukaisesti.

Virran kytkeminen päälle/pois päältä

- ◆ Kytke laite päälle painamalla painiketta (1).
- ◆ Se sammutetaan vapauttamalla painike (1).

Varoitus!

- ◆ Ruiskuta aina myötätuuleen ja aina poispäin ihmisistä ja eläimistä.
- ◆ Käytä ainoastaan valmistajan erittelemiä suuttimia.
- ◆ Jos suutin tukkeutuu, kytke laite välittömästi pois päältä.

Puhdistus ja huolto

Varoitus!

- ◆ Älä säilytä kemikaaleja laitteessa.
- ◆ Älä käytä voimakkaita tai hankaavia puhdistusaineita.
- ◆ Lue aina käytettävän puhdistusaineen valmistajan antamat ohjeet ja noudata niitä.
- ◆ Hävitä pilaantunut neste paikallisten määräysten mukaisesti.

Säiliön puhdistus

Laite on puhdistettava käytön jälkeen.

- ◆ Irrota nestepumppu (8).
- ◆ Jos siellä on yhtään nestettä jäljellä, tyhjennä neste takaisin sen alkuperäiseen säiliöön tai säilytä sitä soveltuvassa säiliössä.
- ◆ Täytä säiliöön (9) sen tilavuudesta 1/3 puhdasta vettä ja saippuaa.

Varoitus! Älä käytä puhdistukseen helposti syttyviä nesteitä.

- ◆ Aseta nestepumppu paikalleen. (8).
- ◆ Ruiskuta säiliön (9) sisältöä, kunnes tankki on tyhjä.
- ◆ Toista edellinen ohje niin monta kertaa kuin se on tarpeellista.

Suodattimen puhdistaminen (kuva F)

Jos nesteen virtaus heikentyy, suodatin saattaa olla tukossa.

Suodatin puhdistetaan seuraavien ohjeiden mukaisesti:

- ◆ Avaa säiliön korkki (5).
- ◆ Irrota imuputki (6) säiliöstä (9).

- ◆ Puhdista suodatin lämpimällä saippuavedellä.

Säilytys (kuvat G & H)

Varoitus! Älä säilytä laitetta paikassa, jonka lämpötila alittaa 0 °C.

- ◆ Puhdista ja kuivaa kaikki laitteen osat, jos se ei ole käytössä päivää pidempään.
- ◆ Liitä ruiskutusputken kahva (4) sivukiinnikkeisiin (22) (kuva G).
- ◆ Sovita letku (23) tarrakiinnittimellä (24) nestepumppuun (8) (kuva H),

Tarvikkeet

Työkalun suorituskyky riippuu käytettävistä tarvikkeista. Black & Decker- ja Piranha -tarvikkeet on valmistettu korkeiden laatuvaatimusten mukaisesti ja ne on suunniteltu parantamaan työkalun suorituskykyä. Käyttämällä näitä tarvikkeita saat sahostasi irti parhaat tulokset.

Vianmääritys

Jos työkalu ei toimi oikein, tarkista seuraavat seikat.

Vika	Mahdollinen syy	Toimenpide
Nesteen virtaus heikentyy tai keskeytyy.	Suodatin on tukossa. Päässä oleva suodatin.	Tarkasta imuputken Puhdista suodatin lämpimällä saippuavedellä.
	Heikko akkuvaraus.	Lataa akku.
	Imuputki ei ulotu säiliön pohjaan.	Työnnä imuputki kokonaan alas.
Laite ei käynnisty.	Akkua ei ole ladattu.	Tarkista akun lataamisohjeet.

Ympäristön suojele



Erillinen keräys. Tätä tuotetta ei saa hävittää normaalin kotitalousjätteen kanssa.

Kun Black & Decker -koneesi on käytetty loppuun, älä hävitä sitä kotitalousjätteen mukana. Tämä tuote on kerättävä erikseen.



Käytettyjen tuotteiden ja pakkausten erillinen keräys mahdollistaa materiaalien kierrätyksen ja uudelleenkäytön. Kierrätettyjen materiaalien uudelleenkäyttö auttaa ehkäisemään ympäristön saastumisen ja vähentää raaka-aineiden kysyntää.

Paikallisten säännösten mukaisesti on mahdollista viedä kotitalouksien sähkölaitteet kuntien kaatopaikoille tai jättää ne vähittäismyyjälle ostettaessa uusi tuote.

Black & Decker tarjoaa mahdollisuuden Black & Decker -tuotteiden keräykseen ja kierrätykseen sen jälkeen, kun ne on poistettu käytöstä. Jotta voisit hyötyä tästä palvelusta, palauta laitteesi johonkin valtuutettuun huoltoliikkeeseen, joka kerää laitteet meidän puolestamme.

Voit tarkistaa lähimmän valtuutetun huoltoliikkeen sijainnin ottamalla yhteyden Black & Deckerin toimistoon, joka sijaitsee tässä käsikirjassa annetussa osoitteessa. Lista valtuutetuista Black & Decker -huoltoliikkeistä sekä yksityiskohtaiset tiedot korjauspalvelustamme ovat vaihtoehtoisesti saatavilla Internetissä, osoitteessa www.2helpU.com

Akku (kuva I & J)



Black & Deckerin akut voidaan ladata useaan kertaan. Vie loppuunkäytetyt akut niille tarkoitettuun keräyspaikkaan tai -astiaan. Ne on hävitettävä paikallisten lakien mukaisesti.

Varoitus!

- ◆ Kytke laite irti pistorasiasta ennen akun poistamista.
- ◆ Älä päästä pariston napoja oikosulkuun.
- ◆ Älä hävitä akkua polttamalla, koska se saattaa räjähtää.
- ◆ Tyhjennä akku käyttämällä laitetta, kunnes moottori pysähtyy.
- ◆ Irrota nestepumppu (8).
- ◆ Irrota ruuvit (25) pohjasta (kuva I).
- ◆ Irrota ruuvit (26) sivulta.
- ◆ Avaa kotelo.
- ◆ Irrota kotelon (27) molemmat puolet.
- ◆ Irrota akun suojakansi (28) (kuva J).
- ◆ Vedä akku ulos koneesta.
- ◆ Vedä irti navan kiinnikkeet (29)
- ◆ Laita akku sopivaan pakkaukseen siten, etteivät navat pääse oikosulkuun.
- ◆ Voit viedä akut niille tarkoitettuun keräysastiaan tai paikalliseen kierrätyskeskukseen. Kerätyt akut toimitetaan kierrätykseen ja käsitellään asianmukaisesti.

Tekniset tiedot

GSC500 H2	
Jännite	V _{DC} 14,4
Teho	I 4,7
Paino	kg 2

Laturi

VA170020D	
Jännite	V _{AC} 230
Lähtöjännite	V _{AC} 17
Ampeeriluku	mA 200
Latausaika (noin)	h 14-18
Paino	kg 0,2

Äänenpainetaso mitattu EN 60745:n mukaisesti:

Äänenpaine (L_{pa}) 76,5 dB(A), epävarmuus (K) 3 dB(A)

Akustinen teho (L_{wa}) 87,5 dB(A), epävarmuus (K) 3 dB(A)

Tärinän kokonaisarvot (kolmiaksi. vektorisumma) on määritetty seuraavan mukaisesti EN 60745:

Käden/käsivarren painotettu tärinä 0,26 m/s²

Korjaukset/Varaosat

Mikäli koneeseen tulee vikaa, jätä se aina Black & Deckerin valtuuttamaan huoltoliikkeeseen korjattavaksi. Varaosia myyvät valtuutetut Black & Deckerin huoltoliikkeet, ja heiltä voi myös pyytää kustannusarvion koneen korjauksesta.

Tiedot valtuutetuista huoltoliikkeistä löytyvät internetistä osoitteesta www.2helpU.com sekä kotisivuiltamme www.blackanddecker.fi

Takuu

Black & Decker Oy takaa, ettei koneessa ollut materiaali- ja/tai valmistusvikaa silloin, kun se toimitettiin ostajalle. Takuu on lisäys kuluttajan laillisiin oikeuksiin eikä vaikuta niihin. Takuu on voimassa Euroopan Unionin jäsenmaissa ja Euroopan vapaakauppa-alueella (EFTA).

Mikäli Black & Decker -kone hajoaa materiaali- ja/tai valmistusvirheen tai teknisten tietojen epätarkkuuden vuoksi 24 kk:n kuluessa ostopäivästä, Black & Decker korjaa koneen ilman kustannuksia ostajalle tai vaihtaa sen uuteen Black & Decker Oy:n valinnan mukaan.

Takuu ei kata vikoja, jotka johtuvat koneen

- ◆ normaalista kulumisesta
- ◆ ylikuormituksesta, virheellisestä käytöstä tai hoidosta
- ◆ vahingoittamisesta vieraalla esineellä tai aineella tai onnettomuustapauksessa

Takuu ei ole voimassa, mikäli konetta on korjannut joku muu kuin Black & Deckerin valtuuttama huoltoliike.

Edellytyksenä takuun saamiselle on, että ostaja jättää koneen ja ostokuitin jälleenmyyjälle tai valtuutetulle huoltoliikkeelle viimeistään 2 kuukauden kuluessa vian ilmenemisestä. Tiedot valtuutetuista huoltoliikkeistä saa ottamalla yhteyttä Black & Decker Oy:hyn sekä internetistä osoitteesta www.2helpU.com, jossa on myös takuehdot.

Voit vierailla verkkosivuiltamme www.blackanddecker.fi rekisteröidäksesi uuden Black & Decker -tuotteesi ja saadaaksesi tietoa uusista tuotteista ja erikoistarjouksista. Saat lisätietoja Black & Deckerin tavaramerkistä ja tuotevalikoimastamme osoitteesta www.blackanddecker.fi

Ενδεξιμένη χρήση

Ο ψεκαστήρας σας Black & Decker έχει σχεδιαστεί για ψεκασμό μιας μεγάλης γκάμας χημικών χόρτου και κήπων με βάση νερό όπως εντομοκτόνα, μυκητοκτόνους, ζιζανιοκτόνους και λιπασμάτων. Το παρόν προϊόν προορίζεται για ερασιτεχνική χρήση μόνον.

Γενικοί κανόνες ασφαλείας

Προειδοποίηση!

- ◆ Διαβάστε όλες τις οδηγίες συμπεριλαμβανόμενων των Φύλλων Στοιχείων Ασφαλείας Υλικών, και τις επιγραφές δοχείων που παρέχοντας με τα χημικά.
 - ◆ Διαβάστε όλες τις προειδοποιήσεις ορισμένες με το σύμβολο m, τα Φύλλα Στοιχείων Ασφαλείας Υλικών, τις επιγραφές δοχείων που παρέχοντας με τα χημικά και όλες τις οδηγίες.
 - ◆ Διαβάστε όλες τις υποδείξεις. Η μη τήρηση όλων των παρακάτω υποδείξεων μπορεί να προκαλέσει ηλεκτροπληξία, πυρκαγιά ή/και σοβαρούς τραυματισμούς. Ο χαρακτηρισμός "ηλεκτρικό εργαλείο" που χρησιμοποιείται στις παρακάτω προειδοποιητικές υποδείξεις αφορά ή το εργαλείο που συνδέεται στην πρίζα (με καλώδιο) ή το εργαλείο που λειτουργεί με μπαταρία (χωρίς καλώδιο).
- ΦΥΛΑΞΤΕ ΑΥΤΕΣ ΤΙΣ ΟΔΗΓΙΕΣ.

1. Ασφάλεια χώρου εργασίας

- α. Διατηρείτε το χώρο που εργάζεστε καθαρό και καλά φωτισμένο. Η αβία στο χώρο που εργάζεστε και τα σημεία χωρίς καλό φωτισμό μπορεί να οδηγήσουν σε ατυχήματα.
- β. **Μη χρησιμοποιείτε τα ηλεκτρικά εργαλεία σε περιβάλλον όπου υπάρχει κίνδυνος έκρηξης, π.χ. παρουσία εύφλεκτων υγρών, αερίων ή σκόνης.** Τα ηλεκτρικά εργαλεία μπορεί να δημιουργήσουν σπινθηρισμό ο οποίος μπορεί να αναφλέξει τη σκόνη ή τις αναθυμιάσεις.
- γ. **Όταν χρησιμοποιείτε το ηλεκτρικό εργαλείο, κρατάτε τα παιδιά και τα υπόλοιπα άτομα μακριά από το χώρο που εργάζεστε.** Σε περίπτωση που άλλα άτομα αποσπάσουν την προσοχή σας μπορεί να χάσετε τον έλεγχο του μηχανήματος.

2. Ασφαλής χρήση του ηλεκτρικού ρεύματος

- α. Το φως του καλωδίου του ηλεκτρικού εργαλείου πρέπει να ταιριάζει στην αντίστοιχη πρίζα. **Δεν επιτρέπεται με κανένα τρόπο η μετασκευή του φως.** Μη χρησιμοποιείτε προσαρμοστικά φως στα γεωμενά ηλεκτρικά εργαλεία. Τα φως που δεν έχουν υποστεί τροποποιήσεις και οι κατάλληλες πρίζες μειώνουν τον κίνδυνο ηλεκτροπληξίας.

- β. **Αποφεύγετε την επαφή του σώματός σας με γειωμένες επιφάνειες όπως σωλήνες, θερμαντικά σώματα (καλοριφέρ), κουζίνες και ψυγεία.** Όταν το σώμα σας είναι γειωμένο, αυξάνεται ο κίνδυνος ηλεκτροπληξίας.
- γ. **Μην εκθέτετε το ηλεκτρικό εργαλείο στη βροχή ή την υγρασία.** Η διείσδυση νερού στο ηλεκτρικό εργαλείο αυξάνει τον κίνδυνο ηλεκτροπληξίας.
- δ. **Μην κακομεταχειρίζεστε το καλώδιο. Μη χρησιμοποιείτε ποτέ το καλώδιο για να μεταφέρετε, να τραβήξετε ή να αποσυνδέσετε το εργαλείο από την πρίζα. Κρατάτε το καλώδιο μακριά από υψηλές θερμοκρασίες, λάδια, κοφτερές ακμές ή κινούμενα εξαρτήματα.** Τυχόν χαλασμένα ή μπερδεμένα καλώδια αυξάνουν τον κίνδυνο ηλεκτροπληξίας.
- ε. **Όταν χρησιμοποιείτε το ηλεκτρικό εργαλείο σε εξωτερικούς χώρους, να χρησιμοποιείτε πάντοτε προεκτάσεις (μπαλαντέζες) που έχουν εγκριθεί για χρήση σε εξωτερικούς χώρους.** Η χρήση προεκτάσεων εγκεκριμένων για εργασία σε εξωτερικούς χώρους μειώνει τον κίνδυνο ηλεκτροπληξίας.

3. Προσωπική ασφάλεια

- α. **Όταν χρησιμοποιείτε το ηλεκτρικό εργαλείο, να είστε προσεκτικοί, να δίνετε προσοχή στην εργασία που κάνετε και να επιστρατεύετε την κοινή λογική. Μη χρησιμοποιείτε το ηλεκτρικό εργαλείο όταν είστε κουρασμένοι ή όταν βρίσκεστε υπό την επίρρεια ναρκωτικών, οινοπνεύματος ή φαρμάκων.** Μια στιγμήα απροσεξία κατά το χειρισμό του ηλεκτρικού εργαλείου μπορεί να οδηγήσει σε σοβαρούς τραυματισμούς.
- β. **Να χρησιμοποιείτε εξοπλισμό ασφαλείας. Να φοράτε πάντα προστατευτικά γυαλιά.** Ο κίνδυνος τραυματισμών μειώνεται όταν χρησιμοποιείτε εξοπλισμό ασφαλείας, όπως μάσκα προστασίας από σκόνη, αντιοιθησθικά παπούτσια ασφαλείας, κράνη ή ωτασπίδες, ανάλογα με τις συνθήκες εργασίας.
- γ. **Αποφεύγετε την αθέλητη θέση σε λειτουργία του ηλεκτρικού εργαλείου. Βεβαιωθείτε, ότι ο διακόπτης λειτουργίας βρίσκεται στη θέση "OFF" πριν συνδέσετε το ηλεκτρικό εργαλείο στην πρίζα.** Αν μεταφέρετε το ηλεκτρικό εργαλείο έχοντας το δάκτυλό σας πάνω στο διακόπτη λειτουργίας ή αν συνδέσετε το ηλεκτρικό εργαλείο στην πρίζα όταν ο διακόπτης λειτουργίας βρίσκεται στη θέση "ON", αυτό μπορεί να οδηγήσει σε σοβαρούς τραυματισμούς.
- δ. **Πριν θέσετε το ηλεκτρικό εργαλείο σε λειτουργία, αφαιρέστε τυχόν εργαλεία ή κλειδιά ρύθμισης.** Ένα εργαλείο ή κλειδί συναρμολογημένο στο περιστρεφόμενο εξάρτημα ενός ηλεκτρικού εργαλείου μπορεί να προκαλέσει τραυματισμούς.

- ε. Μην τεντώνεστε. Φροντίστε πάντοτε να έχετε την κατάλληλη στάση και να διατηρείτε την ισορροπία σας.** Αυτό σας επιτρέπει τον καλύτερο έλεγχο του ηλεκτρικού εργαλείου σε περιπτώσεις απροσδόκητων καταστάσεων.
- στ. Φοράτε κατάλληλη ενδυμασία εργασίας. Μη φοράτε φαρδιά ρούχα ή κοσμήματα. Κρατάτε τα μαλλιά, τα ενδύματα και τα γάντια σας μακριά από τα κινούμενα εξαρτήματα.** Τα φαρδιά ρούχα, τα κοσμήματα και τα μακριά μαλλιά μπορεί να εμπλακούν στα κινούμενα εξαρτήματα.
- ζ. Αν προβλέπονται διατάξεις απαγωγής και συλλογής της σκόνης, βεβαιωθείτε ότι είναι συνδεδεμένες και ότι χρησιμοποιούνται σωστά.** Η χρήση τέτοιων διατάξεων μειώνει τους κινδύνους που προέρχονται από τη σκόνη.
- 4. Χρήση και συντήρηση του ηλεκτρικού εργαλείου**
- α. Μην υπερφορτώνετε το ηλεκτρικό εργαλείο.** Χρησιμοποιείτε για την εκάστοτε εργασία σας το ηλεκτρικό εργαλείο που προορίζεται γι' αυτήν. Με το κατάλληλο ηλεκτρικό εργαλείο εργάζεσθε καλύτερα και ασφαλέστερα στην ονομαστική περιοχή ισχύος του.
- β. Μη χρησιμοποιήσετε ποτέ ένα ηλεκτρικό εργαλείο του οποίου ο διακόπτης λειτουργίας είναι χαλασμένος.** Ένα ηλεκτρικό εργαλείο του οποίου η λειτουργία δεν μπορεί να ελεγχθεί με το διακόπτη είναι επικίνδυνο και πρέπει να επισκευαστεί.
- γ. Βγάλετε το φως από την πρίζα πριν διεξάγετε κάποια εργασία ρύθμισης στο ηλεκτρικό εργαλείο, πριν αλλάξετε κάποιο εξάρτημα ή όταν πρόκειται να το αποθηκεύσετε.** Αυτά τα προληπτικά μέτρα ασφαλείας μειώνουν τον κίνδυνο να θεθεί το μηχάνημα αθέλητα σε λειτουργία.
- δ. Να φυλάτε τα ηλεκτρικά εργαλεία που δεν χρησιμοποιείτε μακριά από παιδιά. Μη αφήνετε άτομα που δεν είναι εξοικειωμένα με το ηλεκτρικό εργαλείο ή που δεν έχουν διαβάσει αυτές τις οδηγίες χρήσης να το χρησιμοποιήσουν.** Τα ηλεκτρικά εργαλεία είναι επικίνδυνα όταν χρησιμοποιούνται από άπειρα άτομα.
- ε. Να συντηρείτε τα ηλεκτρικά εργαλεία. Ελέγξτε εάν τα κινούμενα μέρη είναι σωστά ευθυγραμμισμένα ή αν έχουν μπλοκάρει, εάν έχουν σπάσει κομμάτια και εάν πληρούνται όλες οι υπολοίπες συνθήκες που ενδεχομένως να επηρεάσουν τη σωστή λειτουργία του εργαλείου. Δώστε τυχόν χαλασμένα εξαρτήματα του ηλεκτρικού εργαλείου για επισκευή πριν το χρησιμοποιήσετε πάλι.** Η ανεπαρκής συντήρηση των ηλεκτρικών εργαλείων αποτελεί αιτία πολλών ατυχημάτων.
- στ. Διατηρείτε τα κοπτικά εργαλεία κοφτερά και καθαρά.** Τα κοπτικά εργαλεία με αιχμηρά κοπτικά άκρα που συντηρούνται σωστά έχουν λιγότερες πιθανότητες να μπλοκάρουν και ελέγχονται ευκολότερα.
- ζ. Να χρησιμοποιείτε τα ηλεκτρικά εργαλεία, τα εξαρτήματα και τα άκρα των εργαλείων κλπ σύμφωνα με τις παρούσες οδηγίες καθώς και όπως προβλέπεται για τον κάθε τύπο μηχανήματος, λαμβάνοντας υπόψη σας τις συνθήκες εργασίας και την εργασία που θέλετε να εκτελέσετε.** Η χρήση του ηλεκτρικού εργαλείου για άλλες εκτός από τις προβλεπόμενες εργασίες μπορεί να δημιουργήσει επικίνδυνες καταστάσεις.
- 5. Χρήση και συντήρηση του εργαλείου μπαταρίας**
- α. Πριν τοποθετήσετε τη μπαταρία βεβαιωθείτε ότι ο διακόπτης λειτουργίας βρίσκεται στη θέση "OFF".** Η τοποθέτηση της μπαταρίας στο ηλεκτρικό εργαλείο όταν ο διακόπτης λειτουργίας βρίσκεται στη θέση "ON" μπορεί να οδηγήσει σε ατυχήματα.
- β. Να επαναφορτίζετε τις μπαταρίες μόνο με το φορτιστή που προβλέπεται ο κατασκευαστής.** Ένας φορτιστής που είναι κατάλληλος για έναν τύπο μπαταρίας μπορεί να προκαλέσει πυρκαγιά όταν χρησιμοποιηθεί για τη φόρτιση κάποιου άλλου τύπου μπαταρίας.
- γ. Να χρησιμοποιείτε τα ηλεκτρικά εργαλεία μόνο με τις προβλεπόμενες γι' αυτά μπαταρίες.** Η χρήση μπαταριών διαφορετικού τύπου μπορεί να οδηγήσει σε τραυματισμούς ή πυρκαγιά.
- δ. Να φυλάτε τις μπαταρίες που δεν χρησιμοποιείτε μακριά από μεταλλικά αντικείμενα, όπως συνδετήρες χαρτιών, νομίσματα, κλειδιά, καρφιά, βίδες κι άλλα παρόμοια μικροαντικείμενα, τα οποία θα μπορούσαν να γεφυρώσουν τους δυο πόλους.** Τυχόν βραχυκύκλωση των πόλων της μπαταρίας μπορεί να προκαλέσει εγκαύματα ή πυρκαγιά.
- ε. Υπό δυσμενείς συνθήκες λειτουργίας μπορεί να διαρρέουν υγρά από τη μπαταρία. Αποφεύγετε κάθε επαφή με μια μη στεγανή μπαταρία. Σε περίπτωση κατά λάθος επαφής με τα υγρά, ξεπλύνετε αμέσως με νερό. Εκτός από αυτό, αν τα υγρά διεισδύσουν στα μάτια σας, επισκεφτείτε χωρίς καθυστέρηση ένα γιατρό.** Τα διαρρέοντα υγρά των μπαταριών μπορεί να προκαλέσουν ερεθισμό ή και εγκαύματα.
- 6. Σέρβις**
- α. Το σέρβις του ηλεκτρικού σας εργαλείου πρέπει να αναλαμβάνει έμπειρος τεχνικός που θα χρησιμοποιεί μόνο γνήσια ανταλλακτικά.** Έτσι εξασφαλίζεται η διατήρηση της ασφαλείας του ηλεκτρικού εργαλείου.

Συμπληρωματικές οδηγίες ασφαλείας

Προειδοποίηση!

- ◆ Διαβάστε όλες τις οδηγίες και τις προφυλάξεις ασφαλείας για τον εξοπλισμό και το υλικό ψεκασμού πριν χρησιμοποιήσετε οποιοδήποτε εξοπλισμό.
- ◆ Συμμορφωθείτε με όλους τους κατάλληλους τοπικούς, κυβερνητικούς και εθνικούς κανονισμούς για τον εξαερισμό, προστασία φωτιάς και λειτουργία.
- ◆ Φροντίστε να κρατάτε τον ψεκαστήρα μακριά από τα παιδιά.
- ◆ Για επεκταμένη χρήση συνιστάται προστασία ακοής.
- ◆ Χρησιμοποιήστε προστατευτικά γυαλιά για να προστατευτείτε από τα κομματάκια.

Επικίνδυνοι ατμοί

Τα εντομοκτόνα και τα άλλα υλικά μπορεί να είναι επικίνδυνα αν εισπνέουν δημιουργώντας σοβαρή ναυτία, λιποθυμία ή δηλητηρίαση.

- α. Χρησιμοποιείστε ένα αναπνευστήρα η μάσκα οπότε επαρκεί κίνδυνος εισπνοής ατμών. Διαβάστε όλες τις οδηγίες του υλικού ψεκασμού και της μάσκας για είστε σίγουροι ότι παρέχουν την απαραίτητη προστασία κατά την εισπνοή επικίνδυνων ατμών.

Συμπληρωματικές οδηγίες ασφαλείας για ψεκαστήρες

Πάνω στο μηχάνημα υπάρχουν τα ακόλουθα προειδοποιητικά σύμβολα:



Μην αφήνετε το μηχάνημα εκτεθειμένο στη βροχή ή σε έντονη υγρασία.



Διαβάστε το εγχειρίδιο πριν θέσετε το μηχάνημα σε λειτουργία.



Μην το πετάτε σε φωτιά.



Μην αφήνετε τρίτους να πλησιάζουν.



Όταν χρησιμοποιείτε αυτό το εργαλείο, να φοράτε προστατευτικά γυαλιά.



Να φοράτε έναν αναπνευστήρα η μάσκα.



Να χρησιμοποιήσετε μόνο μη-εύφλεκτα υλικά.

Προειδοποίηση!

- ◆ Πριν χρησιμοποιήσετε κάποιο εντομοκτόνο ή άλλο υλικό ψεκασμού σ' αυτό το ψεκαστήρα, διαβάστε όλη την επιγραφή στο γνήσιο δοχείο και ακολουθήστε τις οδηγίες του. Κάποια υλικά ψεκασμού είναι επικίνδυνα και δεν πρέπει να χρησιμοποιηθούν σ' αυτό το ψεκαστήρα λόγω του ότι μπορεί να βλάψουν τον ψεκαστήρα και να προκαλέσουν σοβαρό κίνδυνο υγείας ή φθορά ιδιοκτησίας.
- ◆ Πριν από οποιοδήποτε χρήση, βεβαιωθείτε ότι όποιος χρησιμοποιεί αυτό το ψεκαστήρα, διαβάζει και καταλαβαίνει όλες τις οδηγίες ασφαλείας και τις άλλες πληροφορίες που περιέχονται στο εγχειρίδιο.
- ◆ Μην χρησιμοποιείτε εφαρμογές κήπου σε περιβάλλον με αέρια ή που υπάρχει κίνδυνος έκρηξης. Τα μοτέρ σ' αυτές τις συσκευές βγάξτε σπινθήρες και οι σπινθήρες μπορεί να βάλουν φωτιά στους ατμούς.
- ◆ Μην χρησιμοποιείτε χημικά της εμπορικής κατηγορίας ή για εμπορικούς ή βιομηχανικούς λόγους. Να χρησιμοποιείτε μόνο χημικά χόρτου και κήπων την κατηγορίας καταναλωτή.
- ◆ Μην χρησιμοποιείτε καυστικά (αλκαλικά) αυτό-θερμαινόμενα ή διαβρωτικά (οξύ) υγρά σ' αυτό το ψεκαστήρα επειδή αυτά μπορεί να διαβρώσουν τα μεταλλικά μέρη η να αποδυναμώσουν τους σωλήνες και τις τάτες.
- ◆ Μην χρησιμοποιείτε ζεστά η καυτά υγρά στον ψεκαστήρα επειδή αυτό μπορεί να αποδυναμώσει το δοχείο και το σωλήνα.
- ◆ Μην αφήνετε υπολήμματα η υλικό ψεκασμού στο δοχείο μετά τη χρήση του ψεκαστήρα.
- ◆ Μην καπνίζετε όταν ψεκάζετε και μην ψεκάζετε πάνω σε σπινθήρες η φωτιά.
- ◆ Επιθεωρήστε καλά και το εσωτερικό και το εξωτερικό του ψεκαστήρα πριν από κάθε χρήση.
- ◆ Αδειάστε, καθαρίστε και σφραγίστε και το δοχείο και το σωλήνα μετά από κάθε χρήση σύμφωνα με τις οδηγίες.
- ◆ Μην χρησιμοποιήσετε πιστόλι για να ψεκάστε εύφλεκτο υλικό.
- ◆ Μην ψεκάστε κανένα υλικό όπου δεν γνωρίζεται ο κίνδυνος.
- ◆ Να χρησιμοποιήσετε μόνο μη-εύφλεκτα υλικά.

Προσωπική ασφάλεια

- α. Όταν χειρίζεστε χημικά πρέπει να χρησιμοποιηθεί πρόσθετος εξοπλισμός ασφαλείας όπως κατάλληλα γάντια και αναπνευστήρας ή μάσκα. Ο εξοπλισμός ασφαλείας για τις κατάλληλες συνθήκες θα ελαττώσει το κίνδυνο τραυματισμού.
- β. Μην ψεκάζετε τον εαυτό σας, άλλα άτομα ή ζώα. Κρατήστε τα χέρια και τα άλλα μέρη του σώματος μακριά από το στόμιο. Στη περίπτωση έγχυσης στο δέρμα, αναζητήστε αμέσως ιατρική βοήθεια. Το ψεκασμένο υλικό μπορεί να περάσει το δέρμα και να μπει στο σώμα σας.

γ. Μην χειρίζεστε τις εγχύσεις ως απλή κοπή.

Ο ψεκασμός μπορεί να περάσει τις τοξίνες στο σώμα σας και να δημιουργήσει σοβαρό τραυματισμό. Σ' αυτή τη περίπτωση, αναζητήστε αμέσως ιατρική βοήθεια.

- δ. Να προσέχετε τους κινδύνους που παρουσιάζονται από τα υλικά ψεκασμού. Συμβουλευτείτε τις εικόνες στο δοχείο ή τις πληροφορίες που παρέχονται από τον κατασκευαστή του υλικού ψεκασμού, συμπεριλαμβανόμενων των απαιτήσεων για τη χρήση προσωπικού εξοπλισμού προστασίας.** Πρέπει να τηρείτε τις οδηγίες του κατασκευαστή για να ελαττώσετε τον κίνδυνο φωτιάς και προσωπικού τραυματισμού από τις τοξίνες, καρκινογόνους κτλ.

Αναπόφευκτοι κίνδυνοι

Μπορεί να προκληθούν επιπρόσθετοι αναπόφευκτοι κίνδυνοι όταν χρησιμοποιείτε το εργαλείο οι οποίοι μπορεί να μη συμπεριλαμβάνονται στις προειδοποιήσεις ασφαλείας που εσωκλείονται. Αυτοί οι κίνδυνοι μπορεί να προκληθούν από κακή χρήση, παρατεταμένη χρήση, κτλ.

Ακόμα και με την τήρηση των σχετικών κανονισμών ασφαλείας και τη χρήση μέσων προστασίας, ορισμένοι κίνδυνοι δεν είναι δυνατό να εξαιρεθούν. Αυτοί περιλαμβάνουν:

- ◆ Τραυματισμούς από το άγγιγμα των περιστρεφόμενων/κινούμενων μερών.
- ◆ Τραυματισμούς από αλλαγή οποιωνδήποτε εξαρτημάτων, λεπίδων ή αξεσουάρ.
- ◆ Τραυματισμούς από παρατεταμένη χρήση του εργαλείου. Όταν χρησιμοποιείτε οποιοδήποτε εργαλείο για παρατεταμένες χρονικές περιόδους βεβαιωθείτε ότι κάνετε τακτικά διαλείμματα.
- ◆ Προβλήματα ακοής.
- ◆ Κίνδυνοι στην υγεία που προκαλούνται από την εισπνοή σκόνης όταν χρησιμοποιείτε το εργαλείο (παράδειγμα: όταν επεξεργάζεστε ξύλο, ειδικά δρυς, οξιά και MDF).

Ασφάλεια άλλων

- ◆ Αυτή η συσκευή δεν προσδιορίζεται για χρήση από άτομα (συμπεριλαμβανοντας και τα παιδιά) με ελαττωμένες φυσικές, αισθητήριες και ψυχικές δυνατότητες, ή έλλειψη εμπειρίας και γνώσης, εκτός αν υπάρχει επιτήρηση ή οδηγίες για τη χρήση της συσκευής από έναν υπεύθυνο άτομο για την ασφάλεια τους.
- ◆ Τα παιδιά πρέπει να επιτηρηθούν για να βεβαιωθείτε ότι δεν παίζουν με τη συσκευή.

Επιπρόσθετες οδηγίες ασφαλείας για μπαταρίες και φορτιστές**Μπαταρίες**

- ◆ Μην επιχειρήσετε ποτέ να την ανοίξετε, για κανένα λόγο.
- ◆ Μην εκθέτετε την μπαταρία σε νερό.

- ◆ Μην την αποθηκεύετε σε χώρους όπου η θερμοκρασία μπορεί να υπερβεί τους 40 °C.
- ◆ Να τη φορτίζετε μόνο σε θερμοκρασία περιβάλλοντος μεταξύ 10 °C και 40 °C.
- ◆ Η φόρτιση πρέπει να γίνεται μόνο με το φορτιστή που παρέχεται με το εργαλείο.
- ◆ Σε ό,τι αφορά την απόρριψη των μπαταριών, ακολουθήστε τις οδηγίες που παρατίθενται στην ενότητα "Διάθεση εργαλείων και περιβάλλον".

Φορτιστές

- ◆ Χρησιμοποιήστε μόνο το φορτιστή της Black & Decker για τη φόρτιση μπαταριών του τύπου που συνοδεύει το εργαλείο σας. Σε άλλες μπαταρίες ενδέχεται να σημειωθεί διάρρηξη, προκαλώντας τραυματισμό και ζημιά.
- ◆ Μην επιχειρήσετε ποτέ να επαναφορτίσετε μη επαναφορτιζόμενες μπαταρίες.
- ◆ Αντικαταστήστε αμέσως τα ελαττωματικά καλώδια.
- ◆ Μην εκθέτετε το φορτιστή σε νερό.
- ◆ Μην ανοίγετε το φορτιστή.
- ◆ Μην επιχειρήσετε να διερευνήσετε το εσωτερικό του φορτιστή.



Ο φορτιστής προορίζεται μόνο για χρήση σε εσωτερικούς χώρους.



Διαβάστε τον εγχειρίδιο οδηγιών πριν τη χρήση.



Μετασχηματιστής απομόνωσης ασφαλούς λειτουργίας. Η παροχή ρεύματος είναι ηλεκτρικά διαχωρισμένη από την έξοδο του μετασχηματιστή.



Η τροφοδοσία του φορτιστή διακόπτεται αυτόματα εάν η θερμοκρασία του περιβάλλοντος γίνει πολύ υψηλή. Ος συνέπεια ο φορτιστής δεν θα είναι λειτουργήσιμος. Η μονάδα πρέπει να αποσυνδεθεί από την κεντρική παροχή ρεύματος και να αποσταλεί σε ένα εξουσιοδοτημένο κέντρο επισκευής για επισκευή.

Ελεγχος και επισκευές

Ο φορτιστής σας φέρει διπλή μόνωση, επομένως δεν απαιτείται σύρμα γείωσης. Ελέγχετε πάντα αν η τάση τροφοδοσίας αντιστοιχεί σε αυτήν που αναγράφεται στην πινακίδα χαρακτηριστικών.

Προειδοποίηση! Ποτέ μην επιχειρήσετε να υποκαταστήσετε το φορτιστή με κοινή πρίζα ρεύματος.

Χαρακτηριστικά

1. Διακόπτης on/off
2. Ιμάντας μεταφοράς
3. Ράβδος
4. Λαβή ράβδου
5. Καπάκι δοχείου
6. Σωλήνας αναρρόφησης
7. Στόμιο
8. Κεφαλή ισχύς
9. Δοχείο

Συναρμολόγηση και ρύθμιση

Προειδοποίηση! Βεβαιωθείτε ότι ο ψεκαστήρας είναι εκτός λειτουργίας.

Τοποθέτηση του ιμάντα μεταφοράς (εικ. Α)

- ◆ Τοποθετήστε τα κλιπ (10) του ιμάντα (2) στα ανοίγματα (11) στη κεφαλή ισχύς.

Συναρμολόγηση του ράβδου ψεκασμού (εικ. Β)

- ◆ Εισάγετε το ράβδο (3) στη λαβή ράβδου (4) μέχρι να κλειδώσει στη θέση του.
- ◆ Σφίξτε το καπάκι (12) στη λαβή.

Τοποθέτηση του στομίου (εικ. C)

- ◆ Βιδώστε το στόμιο (7) στην άκρη της λαβής (13).

Ρυθμίστε το στόμιο σε σχήμα κώνου

- ◆ Στρέψτε το στόμιο (7) δεξιόστροφα για στενές ομιχλώδεις εφαρμογές.
- ◆ Στρέψτε το στόμιο (7) αριστερόστροφα για φαρδιές ομιχλώδεις εφαρμογές.

Αφαίρεση και επανατοποθέτηση της κεφαλής ισχύς (εικ. D & E)

- ◆ Ξεβιδώστε τη τάπα δοχείου (5) (εικ. D1).
- ◆ Αφαιρέστε τον σωλήνα αναρρόφησης (6) από το δοχείο (9).
- ◆ Απελευθερώστε το μάνδαλο (14) πιέζοντας το προς τα κάτω (εικ. E).
- ◆ Σηκώστε το πίσω μέρος της κεφαλής ισχύς (8) και μετακινήστε την μπροστά (εικ. D2).
- ◆ Βγάλτε τη κεφαλή ισχύς (8).
- ◆ Για να τοποθετήσετε τη κεφαλή ισχύς (9), ευθυγραμμίστε τις σχισμές (15) στη κεφαλή ισχύς με τα αυτάκια (16) στο πάνω μέρος του δοχείου (9) (εικ. D2 & D3).
- ◆ Μετακινήστε πίσω τη κεφαλή ισχύς (8) μέχρι να κλειδώσει στη θέση της.
- ◆ Τοποθετήστε τον βραχίονα (17) πάνω από εξάρτημα μανδάλου (18) (εικ. E).
- ◆ Σπρώξτε το χείλος (14) προς τα επάνω μέχρι να κουμπώσει στη θέση του.
- ◆ Τοποθετήστε τον σωλήνα αναρρόφησης (6) στο δοχείο.

- ◆ Επανατοποθετήστε το καπάκι δοχείου (5) και σφίξτε το.

Χρήση**Προειδοποίηση!**

- ◆ Να χρησιμοποιείτε εξοπλισμό ασφαλείας.
- ◆ Ψεκάστε μόνο σε μέρη που αερίζονται καλά.
- ◆ Χρησιμοποιείτε μόνο συνιστώμενα χημικά όπως περιγράφεται στις οδηγίες ασφαλείας.

Φόρτιση της μπαταρίας (εικ. F)

Η μπαταρία πρέπει να φορτιστεί πριν από την πρώτη χρήση και όποτε δεν μπορεί να παράγει αρκετή ισχύ για εργασίες που παλαιότερα εκτελούνταν με ευκολία. Όταν η μπαταρία φορτίζεται για πρώτη φορά ή μετά από παρατεταμένη αποθήκευση, θα φορτιστεί μόνο κατά το 80%. Μετά από μικρούς κύκλους φόρτισης και αποφόρτισης, η μπαταρία θα αποκτήσει πλήρη χωρητικότητα. Η μπαταρία μπορεί να ζεσταθεί κατά τη φόρτισή της. Αυτό είναι φυσιολογικό και δεν είναι ενδεικτικό κάποιου προβλήματος.

Προειδοποίηση! Μη φορτίζετε τη μπαταρία σε θερμοκρασίες περιβάλλοντος κάτω των 10 °C ή άνω των 40 °C.

Συνιστώμενη θερμοκρασία φόρτισης: περίπου 24 °C.

- ◆ Τραβήξτε προς τα έξω το κάλυμμα της πρίζας (19).
- ◆ Εισαγάγετε το βύσμα φορτιστή (20) στο ακροδέκτη σύνδεσης (21) στην πίσω πλευρά της συσκευής.
- ◆ Συνδέστε το φορτιστή στην πρίζα.
- ◆ Βεβαιωθείτε ότι υπάρχει παροχή ρεύματος.
- ◆ Αφήστε τη συσκευή συνδεδεμένη στο φορτιστή για 14-18 ώρες.

Κατά τη φόρτιση, υπάρχει η πιθανότητα να θερμανθεί ο φορτιστής. Αυτό είναι φυσιολογικό και δεν αποτελεί πρόβλημα. Η συσκευή μπορεί να παραμείνει συνδεδεμένη στο φορτιστή για απεριόριστο χρονικό διάστημα.

- ◆ Πριν χρησιμοποιήσετε τη συσκευή, βγάλτε το φορτιστή από την πρίζα και αποσυνδέστε τη συσκευή από το φορτιστή.
- ◆ Επανατοποθετήστε το κάλυμμα της πρίζας (19).

Προειδοποίηση! Η συσκευή δεν λειτουργεί όταν είναι συνδεδεμένη στο φορτιστή.

Γέμισμα του δοχείου (εικ. D1)

- ◆ Ξεβιδώστε το καπάκι του δοχείου (5).
- ◆ Αφαιρέστε τον σωλήνα αναρρόφησης (6) από το δοχείο (9).
- ◆ Γεμίστε το δοχείο με το κατάλληλο υγρό.

Προειδοποίηση! Χρησιμοποιείτε μόνο κατάλληλα χημικά όπως περιγράφεται στις οδηγίες ασφαλείας.

Έναρξη και παύση της λειτουργίας

- ◆ Για να θέσετε σε λειτουργία το εργαλείο, πατήστε το κουμπί (1).

- ◆ Για να θέσετε εκτός λειτουργίας την συσκευή, αφήστε το κουμπί (1).

Προειδοποίηση!

- ◆ Να ψεκάζετε πάντα προς τα κάτω, μακριά από άτομα και ζώα.
- ◆ Χρησιμοποιήστε μόνο στόμια που ορίζονται από τον κατασκευαστή.
- ◆ Αν το στόμιο βουλώσει, σβήστε άμεσα στη συσκευή.

Καθαρισμός και συντήρηση

Προειδοποίηση!

- ◆ Μην κρατάτε χημικά στη συσκευή.
- ◆ Μην χρησιμοποιείτε δυνατά ή διαβρωτικά καθαριστικά.
- ◆ Να διαβάζετε και να ακολουθείτε πάντα τις οδηγίες του κατασκευαστή σχετικά με το μέσο καθαρισμού που χρησιμοποιείτε.
- ◆ Να πετάτε τα μολυσμένα υγρά σύμφωνα με τους τοπικούς κανονισμούς.

Καθαρισμός δοχείου

Η συσκευή πρέπει να καθαριστεί μετά από τη χρήση.

- ◆ Αφαιρέστε τη κεφαλή ισχύς (8).
- ◆ Αν υπάρχει ακόμα υγρό στο δοχείο, αποστραγγίστε το υγρό στο γνήσιο δοχείο ή αποθηκεύστε το σε ένα κατάλληλο δοχείο.
- ◆ Γεμίστε το δοχείο (9) έως το 1/3 του όγκου του με καθαρό νερό και σαπούνι.

Προειδοποίηση! Μην χρησιμοποιείτε εύφλεκτα υγρά για το καθαρισμό.

- ◆ Επανατοποθετήστε τη κεφαλή ισχύς (8).
- ◆ Ψεκάζετε το περιεχόμενο του δοχείου (9) μέχρι να αδειάσει.
- ◆ Επαναλαμβάνεται τη προηγούμενη οδηγία όσες φορές χρειαστεί.

Καθαρισμός του φίλτρου (εικ. D1)

Αν η πίεση του ρέμα του υγρού πέσει, το φίλτρο μπορεί να έχει βουλώσει. Για να καθαρίσετε το φίλτρο προχωρήστε ως ακολούθως:

- ◆ Ξεβιδώστε το καπάκι του δοχείου (5).
- ◆ Αφαιρέστε τον σωλήνα αναρρόφησης (6) από το δοχείο (9).
- ◆ Καθαρίστε το φίλτρο σε χλιαρή σαπουνάδα.

Αποθήκευση (εικ. G & H)

Προειδοποίηση! Μην την αποθηκεύετε σε χώρους όπου η θερμοκρασία κάτω από 0 °C.

- ◆ Καθαρίστε και στεγνώστε όλα τα μέρη της συσκευής όταν δεν θα χρησιμοποιηθεί για περισσότερα από μια μέρα.
- ◆ Τοποθετήστε τη λαβή ράβδου (4) στα πλευρικά κλιπ (22) (εικ. G).
- ◆ Τοποθετήστε το σωλήνα (23) με το σφιγκτήρα Velcro (24) στη κεφαλή ισχύς (8) (εικ. H).

Εξαρτήματα

Η απόδοση του εργαλείου σας εξαρτάται από τα εξαρτήματα που χρησιμοποιείτε. Τα εξαρτήματα Black & Decker και Piranha είναι σχεδιασμένα σύμφωνα με πρότυπα υψηλής ποιότητας για να βελτιώνουν την απόδοση του εργαλείου σας. Χρησιμοποιώντας τα θα επιτύχετε τη βέλτιστη απόδοση του εργαλείου.

Αντιμετώπιση προβλημάτων

Αν το εργαλείο δεν λειτουργεί σωστά, ελέγξτε τα ακόλουθα:

Πρόβλημα	Πιθανή αιτία	Λύση
Η πίεση ροής υγρού πέφτει ή σταματάει.	Το φίλτρο έχει βουλώσει. Πεσμένη μπαταρία. Ο σωλήνας. Ο αναρρόφησης δεν φτάνει κάτω στο δοχείο	Ελέγξτε το φίλτρο στο τέλος του σωλήνα αναρρόφησης. Καθαρίστε το φίλτρο σε χλιαρή σαπουνάδα. Επαναφορτίστε τη μπαταρία. Σπρώξτε εντελώς κάτω το σωλήνα αναρρόφησης.
Η μονάδα δεν ξεκινάει.	Η μπαταρία δεν έχει φορτιστεί.	Ελέγξτε τις απαιτήσεις επαναφόρτισης μπαταρίας.

Διάθεση εργαλείων και περιβάλλον



Ξεχωριστή συλλογή. Αυτό το προϊόν δεν πρέπει να απορριφθεί με συνηθισμένα σπιτικά απορρίμματα.

Εάν κάποια μέρα διαπιστώσετε ότι το προϊόν σας Black & Decker χρειάζεται αντικατάσταση ή δεν σας χρησιμεύει πλέον, μην το απορρίψετε με τα σπιτικά απορρίμματα. Κάντε αυτό το προϊόν διαθέσιμο για ξεχωριστή συλλογή.



Η ξεχωριστή συλλογή χρησιμοποιημένων προϊόντων και συσκευασιών επιτρέπει την ανακύκλωση υλικών. Η επανάχρηση ανακυκλωμένων υλικών βοηθάει την προστασία του περιβάλλον και μειώνει την ζήτηση για σπάνια υλικά.

Οι τοπικοί κανονισμοί μπορεί να παρέχουν ξεχωριστή συλλογή ηλεκτρικών προϊόντων από κατοικίες, δημοτικές τοποθεσίες απορριμμάτων ή από τον έμπορα όταν αγοράσατε το καινούργιο προϊόν.

Η Black & Decker δίνει τη δυνατότητα συλλογής και ανακύκλωσης των προϊόντων της που έχουν συμπληρώσει τη διάρκεια ζωής τους. Αν θέλετε να χρησιμοποιήσετε την εν λόγω υπηρεσία, επιστρέψτε το προϊόν σας σε οποιοδήποτε εξουσιοδοτημένο κέντρο επισκευών, όπου θα το παραλάβουν εκ μέρους σας.

Ενημερωθείτε για το πλησιέστερο κέντρο επισκευών της περιοχής σας, επικοινωνώντας με τα γραφεία της Black & Decker στη διεύθυνση που αναγράφεται στο εγχειρίδιο. Επίσης, για να πληροφορηθείτε τα εξουσιοδοτημένα κέντρα επισκευών της Black & Decker και τις λεπτομέρειες και τους αρμόδιους των υπηρεσιών που παρέχονται μετά την πώληση, μπορείτε να ανατρέξετε στο Διαδίκτυο στη διεύθυνση: www.2helpU.com

Μπαταρία (εικ. I & J)



Οι μπαταρίες Black & Decker μπορούν να επαναφορτιστούν πολλές φορές. Αν θέλετε να απορρίψετε το προϊόν εσείς, πρέπει να αφαιρεθεί η μπαταρία όπως περιγράφεται παρακάτω και η απόρριψή της να γίνει σύμφωνα με τους τοπικούς κανονισμούς.

Προειδοποίηση!

- ◆ Αποσυνδέστε τη συσκευή από την πρίζα πριν αφαιρέσετε την μπαταρία.
- ◆ Μη βραχυκυκλώνετε τους πόλους της μπαταρίας.
- ◆ Μην πετάτε τη μπαταρία σε φωτιά λόγω του ότι μπορεί να εκραγεί.
- ◆ Κατά προτίμηση αποφορτίστε την μπαταρία, θέτοντας τη συσκευή σε λειτουργία μέχρι να σταματήσει το μοτέρ.
- ◆ Αφαιρέστε τη κεφαλή ισχύος (8).
- ◆ Αφαιρέστε τις βίδες (25) από κάτω (εικ. I).
- ◆ Αφαιρέστε τις βίδες (26) από τη πλευρά.
- ◆ Ανοίξτε το περίβλημα.
- ◆ Αφαιρέστε και τις δυο πλευρές του περιβλήμα (27).
- ◆ Αφαιρέστε το κάλυμμα της μπαταρίας (28) (εικ. J).
- ◆ Τραβήξτε την μπαταρία για να βγει από τη συσκευή.
- ◆ Τραβήξτε έξω τα κλιπ (29).
- ◆ Συσκευάστε τη μπαταρία κατάλληλα, ώστε να εξαλειφείτε το ενδεχόμενο βραχυκύκλωσης των πόλων.
- ◆ Στείλτε τη μπαταρία στον αντιπρόσωπό σας ή σε έναν τοπικό σταθμό ανακύκλωσης. Οι μπαταρίες που θα συγκεντρωθούν, θα ανακυκλωθούν ή θα απορριφθούν καταλλήλως.

Τεχνικά χαρακτηριστικά

	G5C500 H2
Τάση	V_{DC} 14,4
Χωρητικότητα	I 4,7
Βάρος	kg 2

Φορτιστής

	VA170020D
Τάση δικτύου	V_{AC} 230
Τάση εξόδου	V_{AC} 17
Αμπέραζ	mA 200
Χρόνος φόρτισης κατά προσέγγιση	h 14-18
Βάρος	kg 0,2

Στάθμη πίεσης ήχου σύμφωνα με το πρότυπο EN 60745:

Πίεση ήχου (L_{pA}) 76,5 dB(A), αβεβαιότητα (K) 3 dB(A)
Ακουστική ισχύς (L_{WA}) 87,5 dB(A), αβεβαιότητα (K) 3 dB(A)

Τιμές συνολικής δόνησης (άθροισμα τριαξονικών ανυσμάτων) αποφασισμένο σύμφωνα με EN 60745:

Χειροβραχιονική δόνηση 0,26 m/s²

Εγγύηση

Η Black & Decker είναι σίγουρη για την ποιότητα των προϊόντων της και παρέχει σημαντική εγγύηση. Η παρούσα γραπτή εγγύηση αποτελεί πρόσθετο δικαίωμά σας και δεν ζημιώνει τα συνταγματικά σας δικαιώματα. Η εγγύηση ισχύει εντός της επικράτειας των Κρατών Μελών της Ευρωπαϊκής Ένωσης και της Ευρωπαϊκής Ζώνης Ελευθέρων Συναλλαγών.

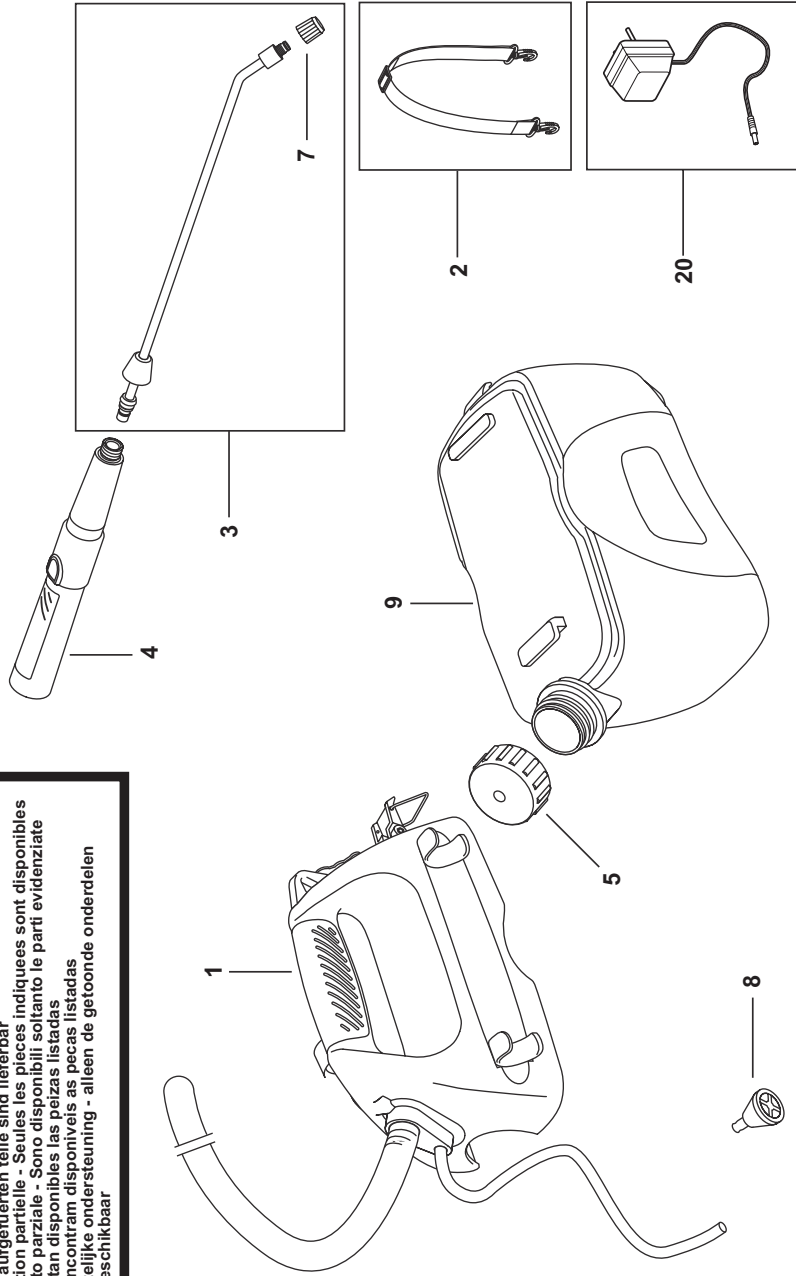
Σε περίπτωση που κάποιο προϊόν της Black & Decker παρουσιάσει βλάβη εξαιτίας ελαττωματικών υλικών, ποιότητας εργασίας ή έλλειψης συμφωνίας με τις προδιαγραφές εντός 24 μηνών από την ημερομηνία αγοράς, η Black & Decker εγγυάται την αντικατάσταση των ελαττωματικών τμημάτων, την επισκευή προϊόντων που έχουν υποστεί εύλογη φθορά λόγω χρήσης ή την αντικατάσταση των προϊόντων προκειμένου να εξασφαλίσει την ελαχιστη ενόχληση στους πελάτες της, εκτός αν:

- ◆ Το προϊόν έχει χρησιμοποιηθεί σε εργασιακό, επαγγελματικό περιβάλλον ή αν έχει ενοικιαστεί
- ◆ Έχει γίνει εσφαλμένη χρήση του προϊόντος ή αν έχει παραμεληθεί
- ◆ Το προϊόν έχει υποστεί βλάβη από άλλα αντικείμενα, από ουσίες ή λόγω ατυχήματος
- ◆ Έχει γίνει προσπάθεια επισκευής από μη εξουσιοδοτημένα κέντρα επισκευών ή από προσωπικό που δεν ανήκει στο προσωπικό της Black & Decker

Για να ισχύσει η εγγύηση, πρέπει να υποβάλετε απόδειξη αγοράς στον πωλητή ή το εξουσιοδοτημένο κέντρο επισκευών. Ενημερωθείτε για το πλησιέστερο κέντρο επισκευών της περιοχής σας, επικοινωνώντας με τα γραφεία της Black & Decker στη διεύθυνση που αναγράφεται στο εγχειρίδιο. Επίσης, για να πληροφορηθείτε για τα εξουσιοδοτημένα κέντρα επισκευών της Black & Decker, τις λεπτομέρειες και τους αρμόδιους των υπηρεσιών που παρέχονται μετά την πώληση, μπορείτε να ανατρέξετε στο Διαδίκτυο στη διεύθυνση: www.2helpU.com

Παρακαλούμε να επισκεφτείτε την ιστοσελίδα μας www.blackanddecker.eu για να καταχωρήσετε το νέο σας προϊόν Black & Decker και για να ενημερωέστε για τα νέα προϊόντα και τις ειδικές προσφορές. Περισσότερες πληροφορίες σχετικά με τη μάρκα Black & Decker και τη σειρά προϊόντων μας θα βρείτε στη διεύθυνση www.blackanddecker.eu

Partial support - Only parts shown available
Nur die aufgeführten Teile sind lieferbar
Reparation partielle - Seules les pieces indiquees sont disponibles
Supporto parziale - Sono disponibili soltanto le parti evidenziate
Solo estan disponibles las peizas listadas
So se encontram disponibles as pecas listadas
Gedeeltelijke ondersteuning - alleen de getoonde onderdelen
zijn beschikbaar



ENGLISH

Do not forget to register your product!

www.blackanddecker.co.uk/productregistration

Register your product online at www.blackanddecker.co.uk/productregistration or send your name, surname and product code to Black & Decker in your country.

DEUTSCH

Vergessen Sie nicht, Ihr Produkt registrieren zu lassen!

www.blackanddecker.de/productregistration

Lassen Sie Ihr Produkt unter www.blackanddecker.de/productregistration online registrieren oder schicken Sie Ihren Nachnamen, Vornamen und den Produktcode an Black & Decker in Ihrem Land.

FRANÇAIS

N'oubliez pas d'enregistrer votre produit !

www.blackanddecker.fr/productregistration

Enregistrez votre produit en ligne sur www.blackanddecker.fr/productregistration ou envoyez vos nom, prénom et code produit à Black & Decker dans votre pays.

ITALIANO

Non dimenticate di registrare il prodotto!

www.blackanddecker.it/productregistration

Registrate il prodotto online su www.blackanddecker.it/productregistration o inviate nome, cognome e codice del prodotto al centro Black & Decker del vostro paese.

NEDERLANDS

Vergeet niet uw product te registreren!

www.blackanddecker.nl/productregistration

U kunt uw product online registreren op www.blackanddecker.nl/productregistration of u kunt uw voornaam, achternaam en productcode opsturen naar Black & Decker in uw land.

ESPAÑOL

¡No olvide registrar su producto!

www.blackanddecker.es/productregistration

Registre su producto on-line en www.blackanddecker.es/productregistration o envíe su nombre, apellidos y código de producto a Black & Decker en su país.

PORTUGUÊS

Não se esqueça de registar o seu produto!

www.blackanddecker.pt/productregistration

Registe o seu produto online em www.blackanddecker.pt/productregistration ou envie o seu nome, apelido e código do produto para a Black & Decker no seu país.

SVENSKA

Glöm inte att registrera produkten!

www.blackanddecker.se/productregistration

Registrera produkten online på www.blackanddecker.se/productregistration eller skicka namn och produktkod till Black & Decker i landet du bor i.

NORSK

Ikke glem å registrere produktet ditt!

www.blackanddecker.no/productregistration

Registrer produktet ditt online på www.blackanddecker.no/productregistration, eller send ditt navn, etternavn og produktkode til Black & Decker i ditt eget land.

DANSK

Glem ikke at registrere dit produkt!

www.blackanddecker.dk/productregistration

Registrer dit produkt på internettet på: www.blackanddecker.dk/productregistration eller send dit navn, efternavn og produktkode til Black & Decker i dit eget land.

SUOMI

Muistathan rekisteröidä tuotteesi!

www.blackanddecker.fi/productregistration

Rekisteröi tuotteesi verkossa osoitteessa www.blackanddecker.fi/productregistration tai läheta etunimesi, sukunimesi ja tuotekoodi oman maasi Black & Decker -edustajalle.

ΕΛΛΗΝΙΚΑ

Μην ξεχάσετε να καταχωρίσετε το προϊόν σας!

www.blackanddecker.gr/productregistration

Καταχωρίστε το προϊόν σας σε σύνδεση στη σελίδα www.blackanddecker.gr/productregistration ή στείλτε το όνομα, επίθετο σας και τον κωδικό πριονιωτός στη Black & Decker στη χώρα σας.

België/Belgique	Black & Decker (Belgium) N.V. Nieuwlandlaan 7 I.Z. Aarschot B156 3200 Aarschot	Tel. Fax	016 68 91 00 016 68 91 11
Danmark	Black & Decker Sluseholmen 2-4, 2450 København SV Internet: www.blackanddecker.dk	Tel. Fax	70 20 15 10 70 22 49 10
Deutschland	Black & Decker GmbH Black & Decker Str. 40, D - 65510 Idstein	Tel. Fax	06126/21 - 0 06126/21 29 80
Ελλάδα	Black & Decker (Ελλάς) Α.Ε. Σπύρβωνος 7 & Λεωφ. Βουλιαγμένης 159 166 74 Γλυφάδα - Αθήνα	Τηλ. Φαξ www.blackanddecker.eu	210 8981616 210 8983285
España	Black & Decker Ibérica, S.C.A. Parc de Negocis "Mas Blau" Edificio Muntadas, c/Bergadá, 1, Of. A6 08820 El Prat de Llobregat (Barcelona)	Tel. Fax	934 797 400 934 797 419
France	Black & Decker (France) S.A.S. 5 allée des Hêtres B.P. 30084 69579 Limonest Cédex	Tel. Fax	04 72 20 39 20 04 72 20 39 00
Helvetia	ROFO AG Gewerbezone Seeblick 3213 Kleinbörsingen	Tel. Fax	026-6749391 026-6749394
Italia	Black & Decker Italia SpA Viale Elvezia 2 20052 Monza (MI)	Tel. Fax Numero verde	039-23871 039-2387592/2387594 800-213935
Nederland	Black & Decker Benelux Joulehof 12, 4622 RG Bergen op Zoom	Tel. Fax	0164 - 283000 0164 - 283100
Norge	Black & Decker (Norge) A/S Postboks 4814, Nydalen, 0422 Oslo Internet: www.blackanddecker.no	Tlf. Fax	22 90 99 00 22 90 99 01
Österreich	Black & Decker Vertriebsges.m.b.H Oberlaaerstraße 246, A1100 Wien	Tel. Fax	01 66116-0 01 66116-14
Portugal	Black & Decker Rua Egas Moniz 173 S. João do Estoril 2766-651 Estoril	Tel. Fax	214667500 214667580
Suomi	Black & Decker Oy Keilasatama 3, 02150 Espoo Black & Decker Oy, Kägelhamnen 3, 02150 Esbo	Puh. Faksi Tel. Fax	010 400 430 (09) 2510 7100 010 400 430 (09) 2510 7100
Sverige	Black & Decker AB Box 94, 431 22 Mölndal	Tel. Fax	031-68 60 60 031-68 60 80
United Kingdom	Black & Decker 210 Bath Road Slough, Berkshire SL1 3YD	Tel. Fax Helpline	01753 511234 01753 551155 01753 574277
Middle East & Africa	Black & Decker (Overseas) A.G. PB 5420, Dubai, United Arab Emirates	Tel. Fax	+971 4 2826464 +971 4 2826466