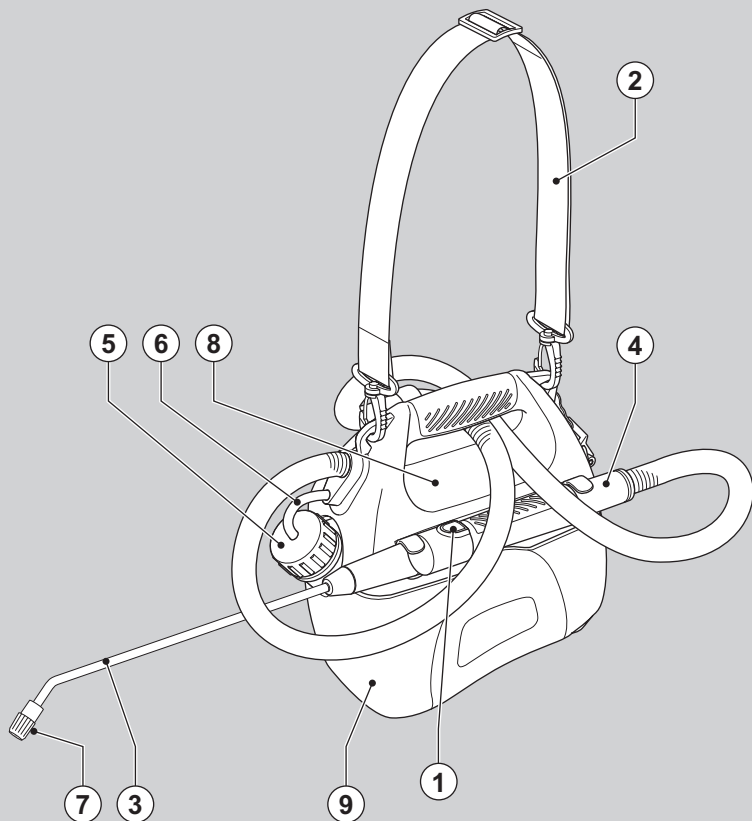
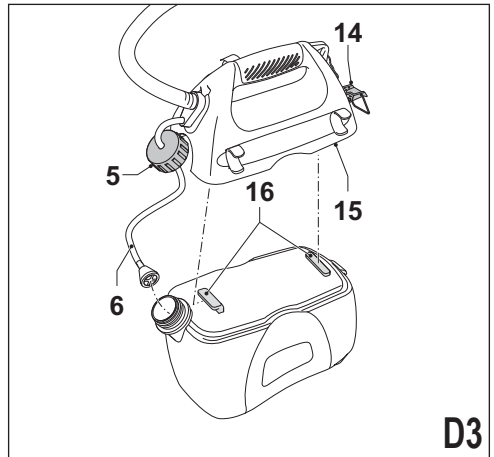
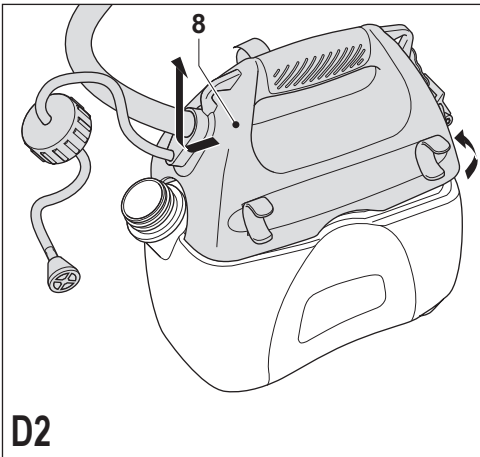
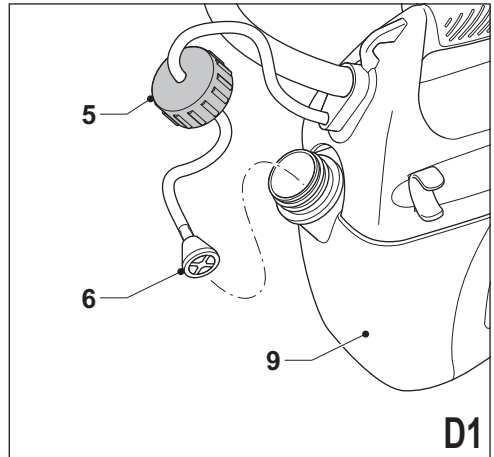
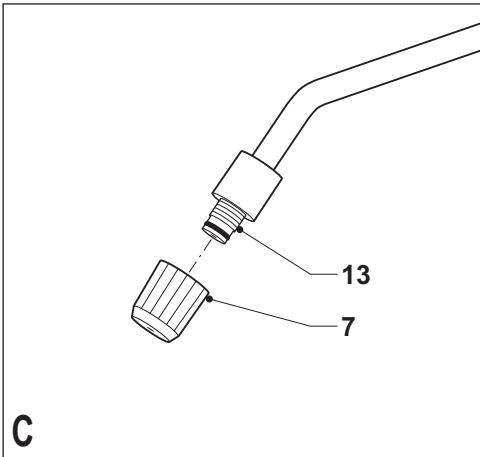
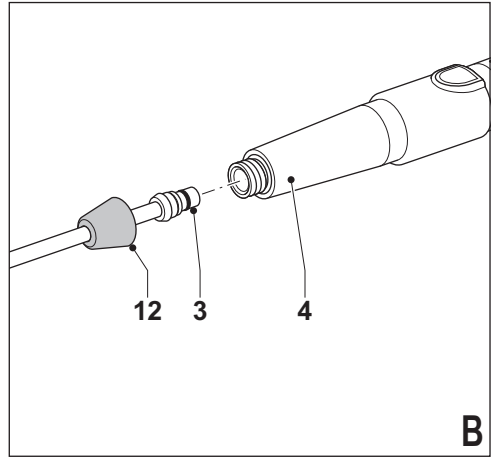
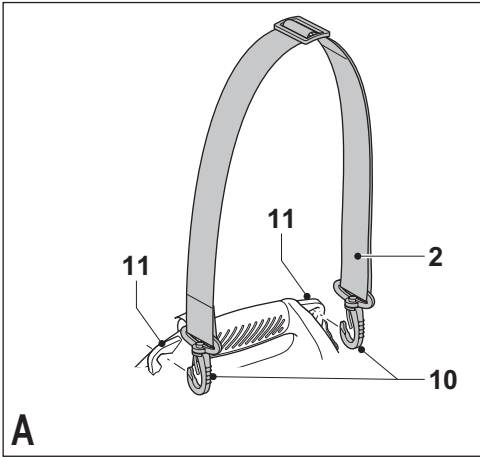
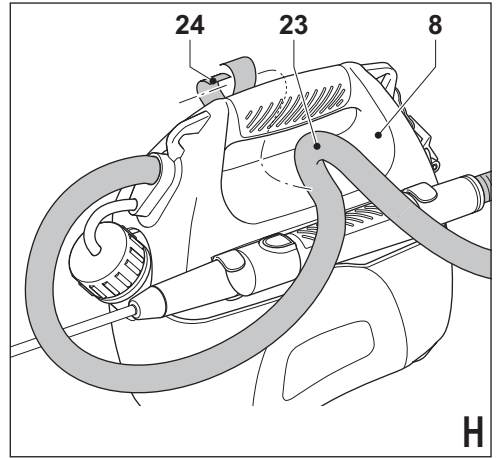
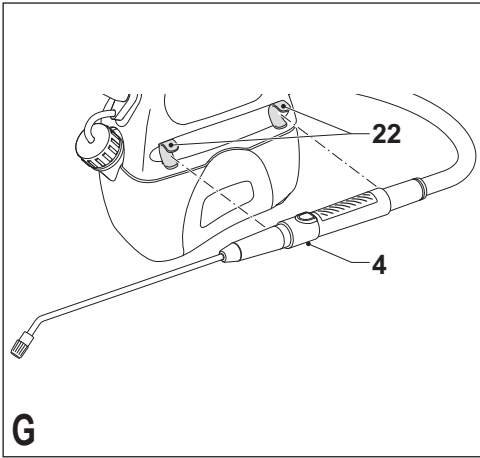
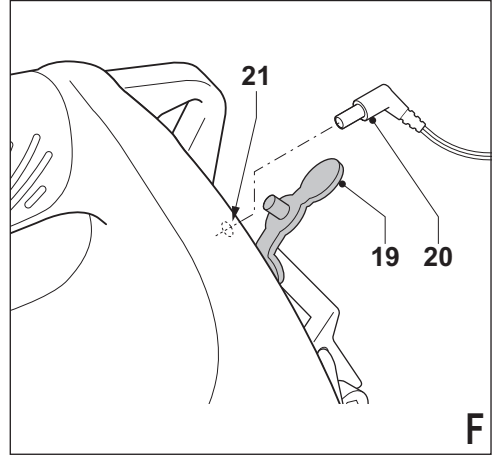
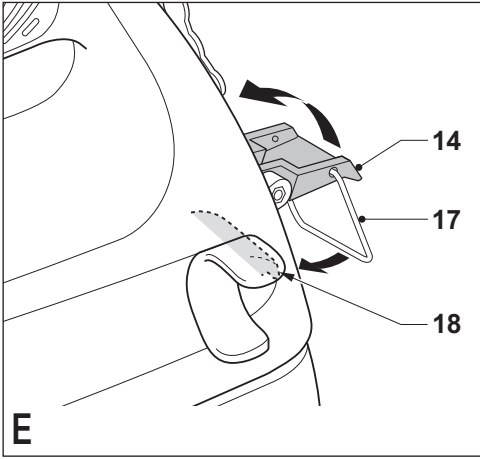


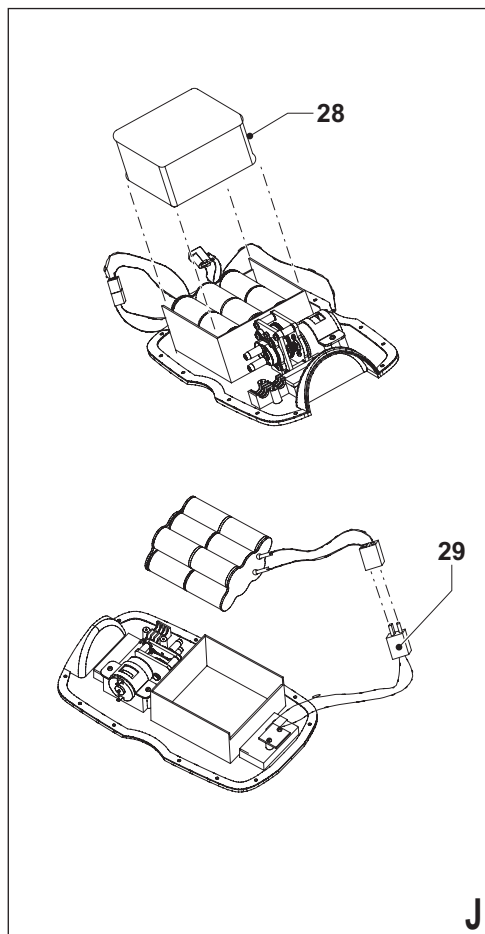
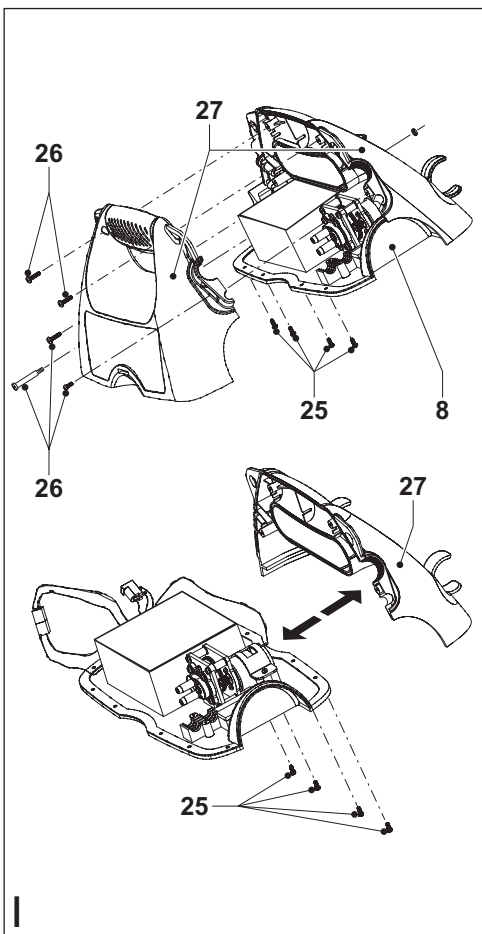
## Powerful Solutions™











## Intended use

Your Black & Decker sprayer has been designed to spray a range of water based lawn and garden chemicals such as insecticides, fungicides, weed killers and fertilizers. This product is intended for consumer use only.

## General safety rules

### Warning!

- ◆ Read all instructions including Material Safety Data Sheets (MSDS), and container labels provided with the chemicals.
- ◆ Read all safety warnings designated by the m symbol, Material Safety Data Sheets (MSDS), container labels provided with the chemicals and all instructions.
- ◆ Read all instructions. Failure to follow all instructions listed below may result in electric shock, fire and/or serious injury. The term "power tool" in all of the warnings listed below refers to your mains operated (corded) power tool or battery operated (cordless) power tool.

SAVE THESE INSTRUCTIONS.

### 1. Work area safety

- a. **Keep work area clean and well lit.** Cluttered and dark areas invite accidents.
- b. **Do not operate power tools in explosive atmospheres, such as in the presence of flammable liquids, gases or dust.** Power tools create sparks which may ignite the dust or fumes.
- c. **Keep children and bystanders away while operating a power tool.** Distractions can cause you to lose control.

### 2. Electrical safety

- a. **Power tool plugs must match the outlet. Never modify the plug in any way. Do not use any adapter plugs with earthed (grounded) power tools.** Unmodified plugs and matching outlets will reduce risk of electric shock.
- b. **Avoid body contact with earthed or grounded surfaces such as pipes, radiators, ranges and refrigerators.** There is an increased risk of electric shock if your body is earthed or grounded.
- c. **Do not expose power tools to rain or wet conditions.** Water entering a power tool will increase the risk of electric shock.
- d. **Do not abuse the cord. Never use the cord for carrying, pulling or unplugging the power tool. Keep cord away from heat, oil, sharp edges or moving parts.** Damaged or entangled cords increase the risk of electric shock.
- e. **When operating a power tool outdoors, use an extension cord suitable for outdoor use.** Use of a cord suitable for outdoor use reduces the risk of electric shock.

### 3. Personal safety

- a. **Stay alert, watch what you are doing and use common sense when operating a power tool. Do not use a power tool while you are tired or under the influence of drugs, alcohol or medication.** A moment of inattention while operating power tools may result in serious personal injury.
- b. **Use safety equipment. Always wear eye protection.** Safety equipment such as dust mask, non-skid safety shoes, hard hat, or hearing protection used for appropriate conditions will reduce personal injuries.
- c. **Avoid accidental starting. Ensure the switch is in the off position before plugging in.** Carrying power tools with your finger on the switch or plugging in power tools that have the switch on invites accidents.
- d. **Remove any adjusting key or wrench before turning the power tool on.** A wrench or a key left attached to a rotating part of the power tool may result in personal injury.
- e. **Do not overreach. Keep proper footing and balance at all times.** This enables better control of the power tool in unexpected situations.
- f. **Dress properly. Do not wear loose clothing or jewellery. Keep your hair, clothing and gloves away from moving parts.** Loose clothes, jewellery or long hair can be caught in moving parts.
- g. **If devices are provided for the connection of dust extraction and collection facilities, ensure these are connected and properly used.** Use of these devices can reduce dust related hazards.

### 4. Power tool use and care

- a. **Do not force the power tool. Use the correct power tool for your application.** The correct power tool will do the job better and safer at the rate for which it was designed.
- b. **Do not use the power tool if the switch does not turn it on and off.** Any power tool that cannot be controlled with the switch is dangerous and must be repaired.
- c. **Disconnect the plug from the power source before making any adjustments, changing accessories, or storing power tools.** Such preventive safety measures reduce the risk of starting the power tool accidentally.
- d. **Store idle power tools out of the reach of children and do not allow persons unfamiliar with the power tool or these instructions to operate the power tool.** Power tools are dangerous in the hands of untrained users.
- e. **Maintain power tools. Check for misalignment or binding of moving parts, breakage of parts and any other condition that may affect the power tools operation. If damaged, have the power tool repaired before use.** Many accidents are caused by poorly maintained power tools.
- f. **Keep cutting tools sharp and clean.** Properly maintained cutting tools with sharp cutting edges are less likely to bind and are easier to control.

- g. Use the power tool, accessories and tool bits etc., in accordance with these instructions and in the manner intended for the particular type of power tool, taking into account the working conditions and the work to be performed. Use of the power tool for operations different from those intended could result in a hazardous situation.

## 5. Battery tool use and care

- a. Ensure the switch is in the off position before inserting battery pack. Inserting the battery pack into power tools that have the switch on invites accidents.
- b. Recharge only with the charger specified by the manufacturer. A charger that is suitable for one type of battery pack may create a risk of fire when used with another battery pack.
- c. Use power tools only with specifically designated battery packs. Use of any other battery packs may create a risk of injury and fire.
- d. When battery pack is not in use, keep it away from other metal objects like paper clips, coins, keys, nails, screws, or other small metal objects that can make a connection from one terminal to another. Shorting the battery terminals together may cause burns or a fire.
- e. Under abusive conditions, liquid may be ejected from the battery; avoid contact. If contact accidentally occurs, flush with water. If liquid contacts eyes, additionally seek medical help. Liquid ejected from the battery may cause irritation or burns.
6. Service
- a. Have your power tool serviced by a qualified repair person using only identical replacement parts. This will ensure that the safety of the power tool is maintained.

## Additional safety instructions

### Warning!

- ◆ Read all instructions and safety precautions for equipment and spray material before operation any equipment.
- ◆ Comply with all appropriate local, state and national codes governing ventilation, fire prevention and operation.
- ◆ Keep sprayer out of reach of children.
- ◆ Hearing protection is recommended for extended use.
- ◆ Use eye protection to keep particles out of eyes.

### Hazardous vapours

Insecticides and other materials may be harmful if inhaled causing severe nausea, fainting or poisoning.

- a. Use a respirator or mask whenever there is a chance that vapours may be inhaled. Read all instructions with the spray material and mask to ensure that it will provide the necessary protection against the inhalation of harmful vapours.

## Additional safety instructions for sprayers

The following warning symbols are found on the appliance:



Do not expose the appliance to rain or high humidity.



Read the manual prior to operation.



Do not dispose of in fire.



Keep bystanders away.



Wear safety glasses or goggles when operating this tool.



Wear a respirator or mask.



Use only non-flammable liquids.

### Warning!

- ◆ Before using any pesticide or other spray materials in this sprayer, read the label on its original container thoroughly and follow its directions. Some spray materials are dangerous and should not be used in this sprayer as they can damage the sprayer and cause serious bodily injury or property damage.
- ◆ Before any use, be sure anyone using this sprayer reads and understands all safety instructions and other information contained in this manual.
- ◆ Do not operate gardening appliances in gaseous or explosive atmospheres. Motors in these appliances normally spark and sparks might ignite fumes.
- ◆ Do not use commercial grade chemicals or for commercial or industrial purposes. Use only consumer grade water-based lawn and garden chemicals.
- ◆ Do not use caustic (alkali) self heating or corrosive (acid) liquids in this sprayer as these can corrode metal parts or weaken hose and seals.
- ◆ Do not use hot or boiling liquids in sprayer as this may weaken tank and hose.
- ◆ Do not leave residue or spray material in the tank after using sprayer.
- ◆ Do not smoke while spraying or spray where spark of flame is present.
- ◆ Do thoroughly inspect both inside and outside of sprayer before each use.
- ◆ Do empty, clean and drain both tank and hose after each use according to directions.

- ◆ Do not use guns for spraying flammable materials.
- ◆ Do not spray any material where the hazard is not known.
- ◆ Use only non-flammable liquids.

## Additional safety instructions for batteries and chargers

### Batteries

- ◆ Never attempt to open for any reason.
- ◆ Do not expose the battery to water.
- ◆ Do not store in locations where the temperature may exceed 40 °C.
- ◆ Charge only at ambient temperatures between 10 °C and 40 °C.
- ◆ Charge only using the charger provided with the tool.
- ◆ When disposing of batteries, follow the instructions given in the section "Protecting the environment".

### Chargers

- ◆ Use your Black & Decker charger only to charge the battery in the tool with which it was supplied. Other batteries could burst, causing personal injury and damage.
- ◆ Never attempt to charge non-rechargeable batteries.
- ◆ Have defective cords replaced immediately.
- ◆ Do not expose the charger to water.
- ◆ Do not open the charger.
- ◆ Do not probe the charger.

### Personal safety

- Additional personal safety equipment such as appropriate gloves and a respirator or mask must be used when handling chemicals.** Safety equipment used for appropriate conditions will reduce personal injuries.
- Do not spray yourself, any person or animal. Keep hands and other body parts away from the discharge. In case of skin injection, seek medical attention immediately.** The sprayed material may pierce the skin and be injected to your body.
- Do not treat injection as a simple cut.** Spray is able to inject toxins into the body and cause serious bodily injury. In the event that injection occurs, seek medical attention immediately.
- Beware of any hazards presented by the material being sprayed. Consult the markings on the container or the information supplied by the manufacturer of the material to be sprayed, including requirements for the use of personal protective equipment.** Manufacturer's instructions must be followed to reduce the risk of fire and personal injury, derived from toxins, carcinogens, etc.

### Residual risks

Additional residual risks may arise when using the tool which may not be included in the enclosed safety warnings. These risks can arise from misuse, prolonged use, etc.

Even with the application of the relevant safety regulations and the implementation of safety devices, certain residual risks can not be avoided. These include:

- ◆ Injuries caused by touching any rotating/moving parts.
- ◆ Injuries caused when changing any parts, blades or accessories.
- ◆ Injuries caused by prolonged use of a tool. When using any tool for prolonged periods ensure you take regular breaks.
- ◆ Impairment of hearing.
- ◆ Health hazards caused by breathing dust developed when using your tool (example: working with wood, especially oak, beech and MDF).

### Safety of others

- ◆ This appliance is not intended for use by persons (including children) with reduced physical, sensory or mental capabilities, or lack of experience and knowledge, unless they have been given supervision or instruction concerning use of the appliance by a person responsible for their safety.
- ◆ Children should be supervised to ensure that they do not play with the appliance.



The charger is intended for indoor use only.



Read the instruction manual before use.



Fail safe isolating transformer. The mains supply is electrically separated from the transformer output.



The charger automatically shuts off if the ambient temperature becomes too high. As a consequence the charger will be inoperable. The unit must be disconnected from the mains supply and taken to an authorised service centre for repair..

### Electrical safety



Your charger is double insulated; therefore no earth wire is required. Always check that the mains voltage corresponds to the voltage on the rating plate.

**Warning!** Never attempt to replace the charger unit with a regular mains plug.



## Features

1. On/off switch
2. Carrying strap
3. Wand
4. Wand handle
5. Tank cap
6. Suction tube
7. Nozzle
8. Power head
9. Tank

## Assembly and adjustment

**Warning!** Make sure that the sprayer is switched off.

### Attaching the carrying strap (fig. A)

- ◆ Attach the clips (10) of the strap (2) to the openings (11) on the power head.

### Assembling the spray wand (fig. B)

- ◆ Insert the wand (3) into the wand handle (4) until it locks into place.
- ◆ Tighten the cap (12) onto the handle.

### Fitting the nozzle (fig. C)

- ◆ Screw the nozzle (7) onto the handle tip (13).

### Adjusting the cone type nozzle

- ◆ Turn the nozzle (7) clockwise for narrow misting applications.
- ◆ Turn the nozzle (7) counterclockwise for wide misting applications.

### Removing and replacing the power head (fig. D & E)

- ◆ Unscrew the tank cap (5) (fig. D1).
- ◆ Remove the suction tube (6) from the tank (9).
- ◆ Release the latch (14) by pressing it downward (fig. E).
- ◆ Raise the back of the power head (8) and move it forward (fig. D2).
- ◆ Pull off the power head (8).
- ◆ To attach the power head (8), align the slots (15) in the power head with the tabs (16) on top of the tank (9) (fig. D2 & D3).
- ◆ Move the power head (8) backward until it locks into place.
- ◆ Fit the bracket (17) over the latch attachment (18) (fig. E).
- ◆ Push the latch (14) upward until it locks into place.
- ◆ Place the suction tube (6) in the tank.
- ◆ Replace the tank cap (5) and tighten it.

## Use

### Warning!

- ◆ Use safety equipment.
- ◆ Only spray in well-ventilated areas.
- ◆ Only use recommended chemicals as described in the safety instructions.

### Charging the battery (fig. F)

The battery needs to be charged before first use and whenever it fails to produce sufficient power on jobs that were easily done before. When charging the battery for the first time, or after prolonged storage, it will only accept an 80% charge. After several charge and discharge cycles, the battery will attain full capacity. The battery may become warm while charging; this is normal and does not indicate a problem.

**Warning!** Do not charge the battery at ambient temperatures below 10 °C or above 40 °C. Recommended charging temperature: approx. 24 °C.

- ◆ Pull out the socket cover (19).
- ◆ Insert the charger plug (20) into the charger connector (21) at the rear of the appliance.
- ◆ Plug in the charger.
- ◆ Switch on at the mains.
- ◆ Leave the appliance connected to the charger for 14-18 hours.

Whilst charging, the charger may become warm. This is normal and does not indicate a problem. The appliance can be left connected to the charger indefinitely.

- ◆ Before using the appliance, unplug the charger and disconnect the appliance from the charger.
- ◆ Replace the socket cover (19).

**Warning!** The appliance does not operate while it is connected to the charger.

### Filling the tank (fig. D1)

- ◆ Unscrew the tank cap (5).
- ◆ Remove the suction tube (6) from the tank (9).
- ◆ Fill the tank with an appropriate liquid.

**Warning!** Only use appropriate chemicals as described in the safety instructions.

### Switching on and off

- ◆ To switch on, press the button (1).
- ◆ To switch off, release the button (1).

### Warning!

- ◆ Always spray downwind, away from people and animals.
- ◆ Only use nozzles specified by the manufacturer.
- ◆ If the nozzle clogs, switch off the appliance immediately.

## Cleaning and maintenance

### Warning!

- ◆ Do not store chemicals in the appliance.
- ◆ Do not use aggressive or abrasive cleaning agents.
- ◆ Always read and follow the manufacturer's instructions on the cleaning agent you use.
- ◆ Dispose of the contaminated liquid in accordance with local regulations.

### Cleaning the tank

The appliance should be cleaned after use.

- ◆ Remove the power head (8).
- ◆ If there is any liquid left, drain the liquid back into the original container or store in an appropriate container.
- ◆ Fill the tank (9) to 1/3 of its volume with clean water and soap.

**Warning!** Do not use flammable liquids for cleaning.

- ◆ Replace the power head (8).
- ◆ Spray the contents of the tank until the tank (9) is empty.
- ◆ Repeat the previous instruction as many times as required.

### Cleaning the filter (fig. D1)

If the stream of the liquid weakens the filter can be clogged.

To clean the filter proceed as follow:

- ◆ Unscrew the tank cap (5).
- ◆ Remove the suction tube (6) from the tank (9).
- ◆ Clean the filter with warm soapy water.

### Storing (fig. G & H)

**Warning!** Do not store in locations where the temperature is below 0 °C.

- ◆ Clean and dry all parts of the appliance when not in use for more than one day.
- ◆ Attach the wand handle (4) onto the side clips (22) (fig. G).
- ◆ Fit the hose (23) with the Velcro fastener (24) to the power head (8) (fig. H).

### Accessories

The performance of your tool depends on the accessory used. Black & Decker and Piranha accessories are engineered to high quality standards and designed to enhance the performance of your tool. By using these accessories you will get the very best from your tool.

## Troubleshooting

If the tool does not operate correctly, check the following.

Fault	Possible cause	Action
The stream of liquid weakens or stops.	Filter clogged.	Check the filter at the end of the suction tube. Clean the filter with warm soapy water.
	Weak battery.	Recharge the battery.
The unit will not start.	Suction tube not all way down in the tank.	Push the suction tube the completely down.
	Battery not charged.	Check the battery charging requirements.

## Protecting the environment



Separate collection. This product must not be disposed of with normal household waste.

Should you find one day that your Black & Decker product needs replacement, or if it is of no further use to you, do not dispose of it with household waste. Make this product available for separate collection.



Separate collection of used products and packaging allows materials to be recycled and used again. Re-use of recycled materials helps prevent environmental pollution and reduces the demand for raw materials.

Local regulations may provide for separate collection of electrical products from the household, at municipal waste sites or by the retailer when you purchase a new product.

Black & Decker provides a facility for the collection and recycling of Black & Decker products once they have reached the end of their working life. To take advantage of this service please return your product to any authorised repair agent who will collect them on our behalf.

You can check the location of your nearest authorised repair agent by contacting your local Black & Decker office at the address indicated in this manual. Alternatively, a list of authorised Black & Decker repair agents and full details of our after-sales service and contacts are available on the Internet at: [www.2helpU.com](http://www.2helpU.com)

## Battery (fig. I & J)



Black & Decker batteries can be recharged many times. If you want to dispose of the product yourself, the battery must be removed as described below and disposed of in accordance with local regulations.

### Warning!

- ◆ Disconnect the appliance from the power supply before removing the battery.
- ◆ Do not short-circuit the battery terminals.
- ◆ Do not dispose of the battery in fire as this may result in an explosion.
- ◆ Preferably discharge the battery by operating the appliance until the motor stops.
- ◆ Remove the power head (8).
- ◆ Remove the screws (25) from the bottom (fig. I).
- ◆ Remove the screws (26) from the side.
- ◆ Open the housing.
- ◆ Remove both sides of the housing (27).
- ◆ Remove the battery cover (28) (fig. J).
- ◆ Pull the battery out of the appliance.
- ◆ Pull off the terminal clips (29).
- ◆ Place the battery in suitable packaging to ensure that the terminals cannot be short-circuited.
- ◆ Take the battery to your service agent or a local recycling station. Collected batteries will be recycled or disposed of properly.

### Technical data

GSC500 H2		
Voltage	$V_{DC}$	14.4
Capacity	l	4.7
Weight	kg	2

### Charger

BA170020D		
Input voltage	$V_{AC}$	230
Output voltage	$V_{AC}$	17
Amperage	mA	200
Approx. charging time	h	14-18
Weight	kg	0.2

### Level of sound pressure according to EN 60745:

Sound pressure ( $L_{pA}$ ) 76.5 dB(A), uncertainty (K) 3 dB(A)

Sound power ( $L_{WA}$ ) 87.5 dB(A), uncertainty (K) 3 dB(A)

### Vibration total values (triax vector sum) according to EN 60745:

Hand/arm weighted vibration 0.26  $m/s^2$

## Guarantee

Black & Decker is confident of the quality of its products and offers an outstanding guarantee. This guarantee statement is in addition to and in no way prejudices your statutory rights. The guarantee is valid within the territories of the Member States of the European Union and the European Free Trade Area.

If a Black & Decker product becomes defective due to faulty materials, workmanship or lack of conformity, within 24 months from the date of purchase, Black & Decker guarantees to replace defective parts, repair products subjected to fair wear and tear or replace such products to ensure minimum inconvenience to the customer unless:

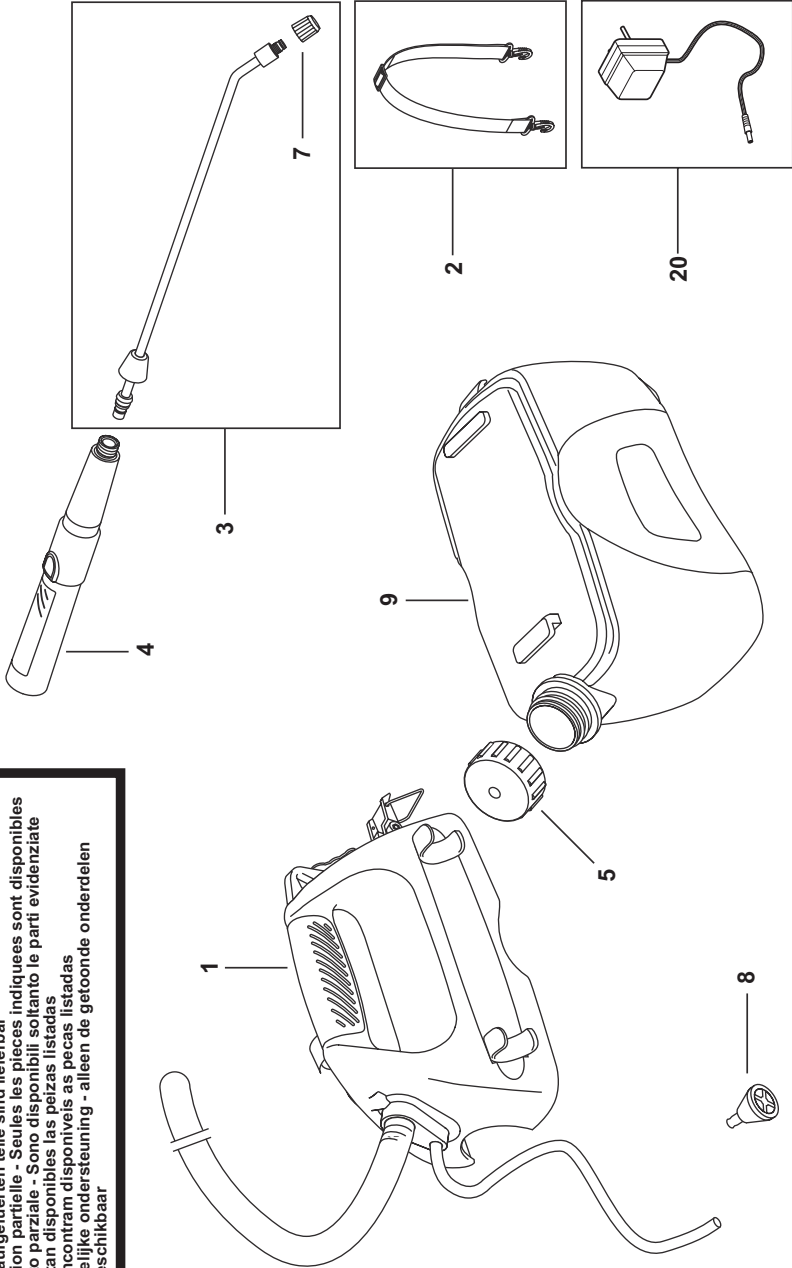
- ◆ The product has been used for trade, professional or hire purposes;
- ◆ The product has been subjected to misuse or neglect;
- ◆ The product has sustained damage through foreign objects, substances or accidents;
- ◆ Repairs have been attempted by persons other than authorised repair agents or Black & Decker service staff.

To claim on the guarantee, you will need to submit proof of purchase to the seller or an authorised repair agent. You can check the location of your nearest authorised repair agent by contacting your local Black & Decker office at the address indicated in this manual. Alternatively, a list of authorised Black & Decker repair agents and full details of our after-sales service and contacts are available on the Internet at:

[www.2helpU.com](http://www.2helpU.com)

Please visit our website [www.blackanddecker.co.uk](http://www.blackanddecker.co.uk) to register your new Black & Decker product and to be kept up to date on new products and special offers. Further information on the Black & Decker brand and our range of products is available at [www.blackanddecker.co.uk](http://www.blackanddecker.co.uk)

Partial support - Only parts shown available  
Nur die aufgeführten Teile sind lieferbar  
Reparation partielle - Seules les pieces indiquees sont disponibles  
Supporto parziale - Sono disponibili soltanto le parti evidenziate  
Solo estan disponibles las peizas listadas  
So se encontram disponibles as pecas listadas  
Gedeeltelijke ondersteuning - alleen de getoonde onderdelen zijn beschikbaar







ENGLISH

**Do not forget to register your product!**

**[www.blackanddecker.co.uk/productregistration](http://www.blackanddecker.co.uk/productregistration)**

Register your product online at **[www.blackanddecker.co.uk/productregistration](http://www.blackanddecker.co.uk/productregistration)** or send your name, surname and product code to Black & Decker in your country.

**Australia**

Black & Decker (Australia) Pty. Ltd.  
20 Fletcher Road, Mooroolbark,  
Victoria, 3138

Tel. 03-8720 5100  
Fax 03-9727 5940

**New Zealand**

Black & Decker  
5 Te Apunga Place  
Mt Wellington  
Auckland 1060

Tel. +64 9 259 1133  
Fax +64 9 259 1122

**United Kingdom**

Black & Decker  
210 Bath Road  
Slough, Berkshire SL1 3YD

Tel. 01753 511234  
Fax 01753 551155  
Helpline 01753 574277