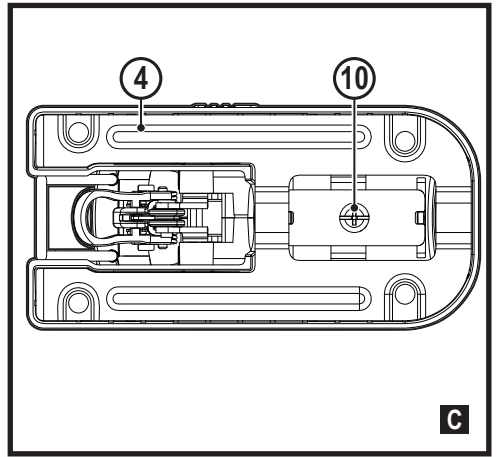
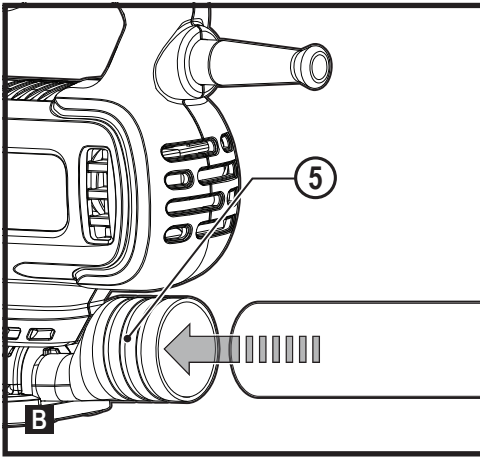
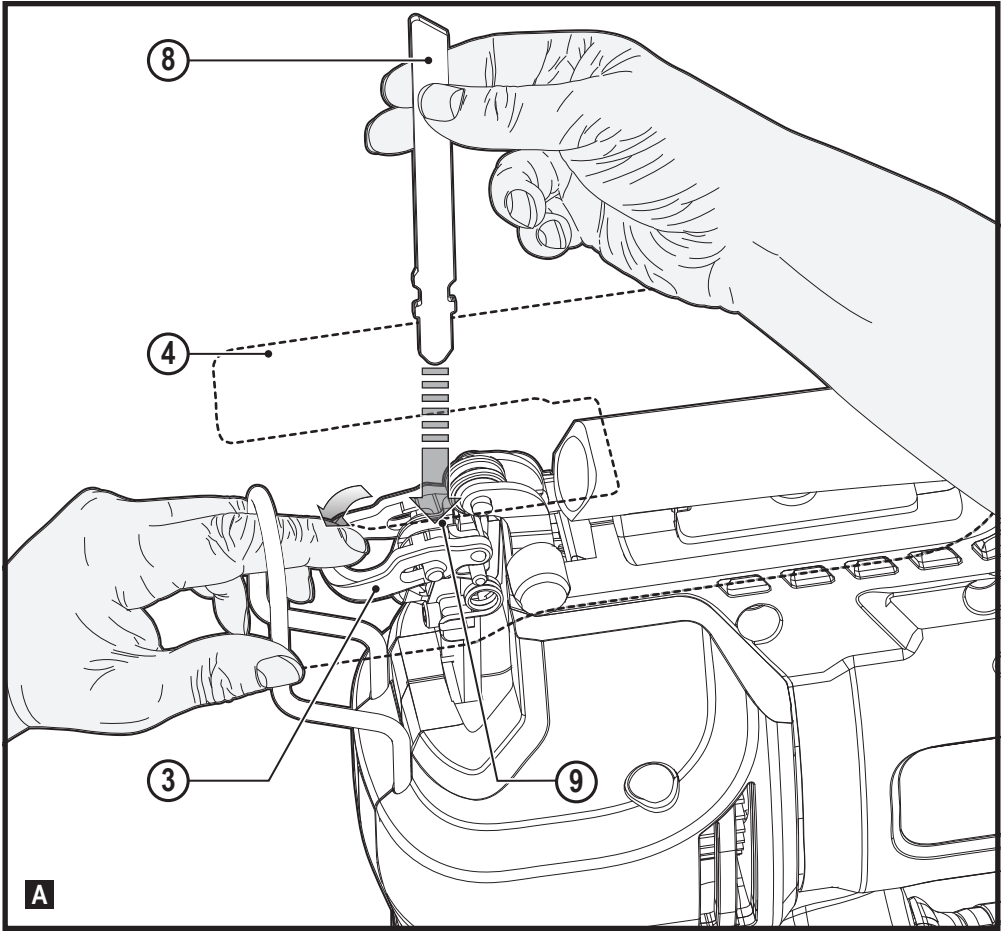
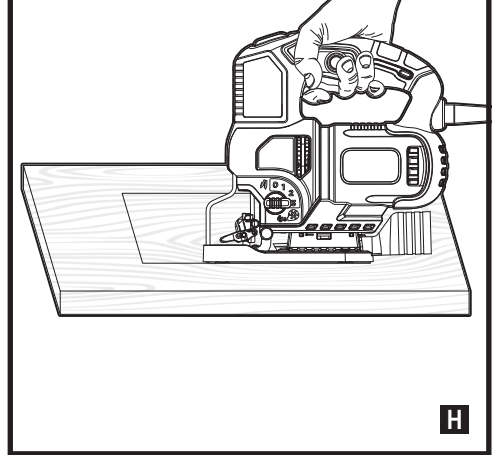
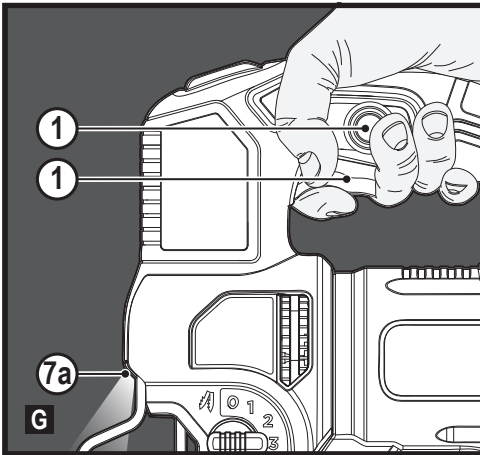
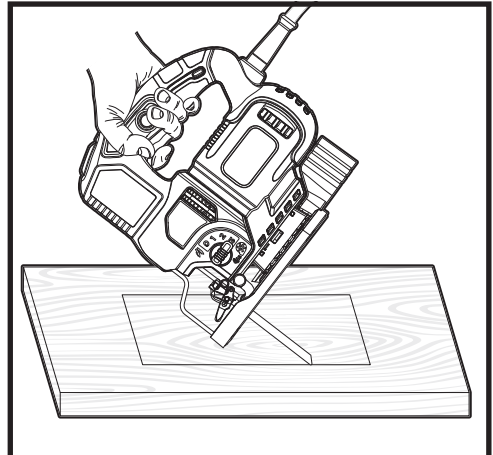
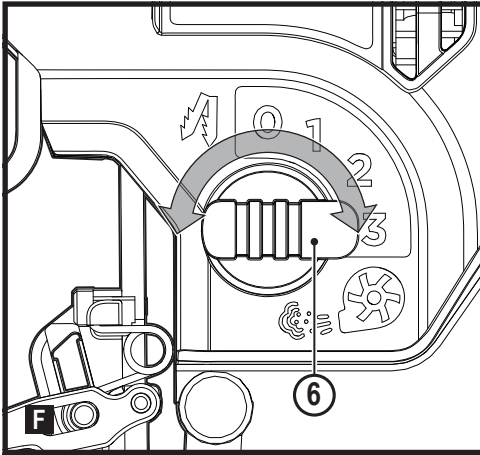
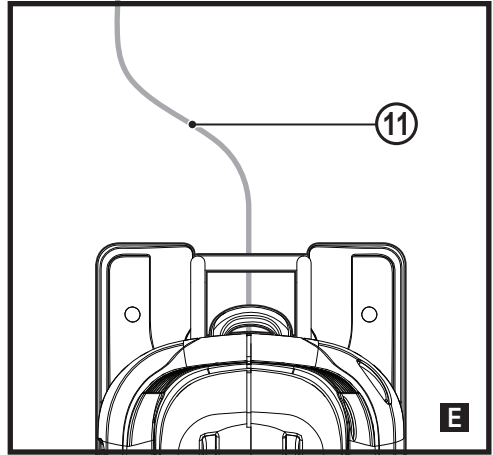
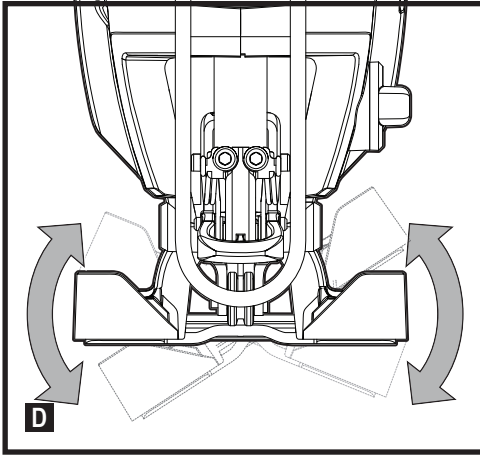


English (original instructions)	5
Deutsch (<i>übersetzt von den originalanweisungen</i>)	9
Français (<i>traduction de la notice d'instructions originale</i>)	15
Italiano (<i>tradotto dalle istruzioni originali</i>)	20
Nederlands (<i>vertaald vanuit de originele instructies</i>)	26
Español (<i>traducido de las instrucciones originales</i>)	32
Português (<i>traduzido das instruções originais</i>)	37
Svenska (<i>översatt från de ursprungliga instruktionerna</i>)	43
Norsk (<i>oversatt fra de originale instruksjonene</i>)	47
Dansk (<i>oversat fra original brugsvejledning</i>)	52
Suomi (<i>käännetty alkuperäisestä käyttöohjeesta</i>)	57
Ελληνικά (<i>μετάφραση από τις πρωτότυπες οδηγίες</i>)	62
Türkçe (<i>Orijinal talimatların Çeviri</i>)	68





Intended use

Your BLACK+DECKER BES610 jigsaw has been designed for sawing wood, plastics and sheet metal. This tool is intended for consumer use only.

Safety instructions

General power tool safety warnings



Warning! Read all safety warnings, instructions, illustrations and specifications provided with this power tool. Failure to follow the warnings and instructions listed below may result in electric shock, fire and/or serious injury.

Save all warnings and instructions for future reference.

The term "power tool" in all of the warnings listed below refers to your mains operated (corded) power tool or battery operated (cordless) power tool.

1. Work area safety

- a. **Keep work area clean and well lit.** Cluttered or dark areas invite accidents.
- b. **Do not operate power tools in explosive atmospheres, such as in the presence of flammable liquids, gases or dust.** Power tools create sparks which may ignite the dust or fumes.
- c. **Keep children and bystanders away while operating a power tool.** Distractions can cause you to lose control.

2. Electrical safety

- a. **Power tool plugs must match the outlet. Never modify the plug in any way. Do not use any adapter plugs with earthed (grounded) power tools.** Unmodified plugs and matching outlets will reduce risk of electric shock.
- b. **Avoid body contact with earthed or grounded surfaces such as pipes, radiators, ranges and refrigerators.** There is an increased risk of electric shock if your body is earthed or grounded.
- c. **Do not expose power tools to rain or wet conditions.** Water entering a power tool will increase the risk of electric shock.
- d. **Do not abuse the cord. Never use the cord for carrying, pulling or unplugging the power tool. Keep cord away from heat, oil, sharp edges or moving parts.** Damaged or entangled cords increase the risk of electric shock.
- e. **When operating a power tool outdoors, use an extension cord suitable for outdoor use.** Use of a cord suitable for outdoor use reduces the risk of electric shock.
- f. **If operating a power tool in a damp location is unavoidable, use a residual current device (RCD) protected supply.** Use of an RCD reduces the risk of electric shock.

3. Personal safety

- a. **Stay alert, watch what you are doing and use common sense when operating a power tool.**
Do not use a power tool while you are tired or under the influence of drugs, alcohol or medication. A moment of inattention while operating power tools may result in serious personal injury.
 - b. **Use personal protective equipment. Always wear eye protection.** Protective equipment such as dust mask, non-skid safety shoes, hard hat, or hearing protection used for appropriate conditions will reduce personal injuries.
 - c. **Prevent unintentional starting. Ensure the switch is in the off-position before connecting to power source and/or battery pack, picking up or carrying the tool.** Carrying power tools with your finger on the switch or energising power tools that have the switch on invites accidents.
 - d. **Remove any adjusting key or wrench before turning the power tool on.** A wrench or a key left attached to a rotating part of the power tool may result in personal injury.
 - e. **Do not overreach. Keep proper footing and balance at all times.** This enables better control of the power tool in unexpected situations.
 - f. **Dress properly. Do not wear loose clothing or jewellery. Keep your hair, clothing and gloves away from moving parts.** Loose clothes, jewellery or long hair can be caught in moving parts.
 - g. **If devices are provided for the connection of dust extraction and collection facilities, ensure these are connected and properly used.** Use of dust collection can reduce dust-related hazards.
 - h. **Do not let familiarity gained from frequent use of tools allow you to become complacent and ignore tool safety principles.** A careless action can cause severe injury within a fraction of a second.
- #### 4. Power tool use and care
- a. **Do not force the power tool. Use the correct power tool for your application.**
The correct power tool will do the job better and safer at the rate for which it was designed.
 - b. **Do not use the power tool if the switch does not turn it on and off.** Any power tool that cannot be controlled with the switch is dangerous and must be repaired.
 - c. **Disconnect the plug from the power source and/or the battery pack from the power tool before making any adjustments, changing accessories, or storing power tools.** Such preventive safety measures reduce the risk of starting the power tool accidentally.
 - d. **Store idle power tools out of the reach of children and do not allow persons unfamiliar with the power tool or these instructions to operate the power tool.**

Power tools are dangerous in the hands of untrained users.

- e. **Maintain power tools and accessories. Check for misalignment or binding of moving parts, breakage of parts and any other condition that may affect the power tools operation. If damaged, have the power tool repaired before use.** Many accidents are caused by poorly maintained power tools.
 - f. **Keep cutting tools sharp and clean.** Properly maintained cutting tools with sharp cutting edges are less likely to bind and are easier to control.
 - g. **Use the power tool, accessories and tool bits etc. in accordance with these instructions, taking into account the working conditions and the work to be performed.** Use of the power tool for operations different from those intended could result in a hazardous situation.
 - h. **Keep handles and grasping surfaces dry, clean and free from oil and grease.** Slippery handles and grasping surfaces do not allow for safe handling and control of the tool in unexpected situations.
6. **Service**
- a. **Have your power tool serviced by a qualified repair person using only identical replacement parts.**
This will ensure that the safety of the power tool is maintained.

Additional power tool safety warnings



Warning! Additional safety warnings for jigsaws and reciprocating saws

- ◆ **Hold power tool by insulated gripping surfaces, when performing an operation where the cutting accessory may contact hidden wiring.**
Cutting accessory contacting a "live" wire may make exposed metal parts of the power tool "live" and could give the operator an electric shock.
- ◆ **Use clamps or another practical way to secure and support the workpiece to a stable platform.**
Holding the work by hand or against your body leaves it unstable and may lead to loss of control.
- ◆ **Keep hands away from cutting area.** Never reach underneath the work piece any reason. Do not insert fingers or thumb into the vicinity of the reciprocating blade and blade clamp. Do not stabilize the saw by gripping the shoe.
- ◆ **Keep blades sharp.** Dull or damaged blades may cause the saw to swerve or stall under pressure. Always use the appropriate type of saw blade for the workpiece material and type of cut.
- ◆ **When cutting pipe or conduit, make sure that they are free from water, electrical wiring, etc.**

- ◆ **Do not touch the workpiece or the blade immediately after operating the tool.** They can become very hot.
- ◆ **Be aware of hidden hazards, before cutting into walls, floors or ceilings, check for the location of wiring and pipes.**
- ◆ **The blade will continue to move after releasing the switch.** Always switch the tool off and wait for the saw blade to come to a complete standstill before putting the tool down.

Warning! Contact with, or inhalation of dusts arising from cutting applications may endanger the health of the operator and possible bystanders. Wear a dust mask specifically designed for protection against dust and fumes and ensure that persons within or entering the work area are also protected.

- ◆ The intended use is described in this instruction manual.
- ◆ The use of any accessory or attachment or performance of any operation with this tool other than those recommended in this instruction manual may present a risk of personal injury and/or damage to property.

Safety of others

- ◆ This tool is not intended for use by persons (including children) with reduced physical, sensory or mental capabilities, or lack of experience and knowledge, unless they have been given supervision or instruction concerning use of the appliance by a person responsible for their safety.
- ◆ Children should be supervised to ensure that they do not play with the appliance.

Residual risks

Additional residual risks may arise when using the tool which may not be included in the enclosed safety warnings. These risks can arise from misuse, prolonged use etc. Even with the application of the relevant safety regulations and the implementation of safety devices, certain residual risks can not be avoided. These include:

- ◆ Injuries caused by touching any rotating/moving parts.
- ◆ Injuries caused when changing any parts, blades or accessories.
- ◆ Injuries caused by prolonged use of a tool. When using any tool for prolonged periods ensure you take regular breaks.
- ◆ Impairment of hearing.
- ◆ Health hazards caused by breathing dust developed when using your tool (example:- working with wood, especially oak, beech and MDF.)

Vibration

The declared vibration emission values stated in the technical data and the declaration of conformity have been measured in

accordance with a standard test method provided by EN62841 and may be used for comparing one tool with another.

The declared vibration emission value may also be used in a preliminary assessment of exposure.

Warning! The vibration emission value during actual use of the power tool can differ from the declared value depending on the ways in which the tool is used. The vibration level may increase above the level stated.

When assessing vibration exposure to determine safety measures required by 2002/44/EC to protect persons regularly using power tools in employment, an estimation of vibration exposure should consider, the actual conditions of use and the way the tool is used, including taking account of all parts of the operating cycle such as the times when the tool is switched off and when it is running idle in addition to the trigger time.

Labels on tool

The following pictograms along with the date code are shown on the tool:



Warning! To reduce the risk of injury, the user must read the instruction manual.

Electrical safety



This tool is double insulated; therefore no earth wire is required. Always check that the power supply corresponds to the voltage on the rating plate.

- ◆ If the supply cord is damaged, it must be replaced by the manufacturer or an authorised BLACK+DECKER Service Centre in order to avoid a hazard.

Features

This tool includes some or all of the following features:

1. On/off switch
 2. Lock-on button
 3. Saw blade locking lever
 4. Shoe plate
 5. Dust extraction outlet
 6. Pendulum stroke dial
 7. Variable speed dial
- 7a. LED work light

Assembly

Warning! Before assembly, make sure that the tool is switched off and unplugged.

Fitting and removing the saw blade (fig. A)

- ◆ Hold the saw blade (8) with the teeth facing forward as shown.
- ◆ Push the locking lever (3) away from the shoe plate (4).

- ◆ Insert the shank of the blade fully into the blade clamp (9) as far as it will go.
- ◆ Release the lever.
- ◆ To remove the saw blade (8), Push the locking lever (3) away from the shoe plate (4) and pull the blade out.

Connecting a vacuum cleaner to the tool (fig. B)

- ◆ Slide the vacuum nozzle into the dust extraction outlet (5).

Use

Adjusting the shoe plate for bevel cuts (fig. C, D)

Warning! Never use the tool when the saw shoe plate is loose or removed.

The shoe plate (4) can be set to a left or right bevel angle of 45°.

- ◆ Loosen the screw (10).
- ◆ Rotate the shoe to the left or right to the 45° location.
- ◆ Tighten the screw.

To reset the shoe plate (4) for 90° cuts:

- ◆ Loosen the screw (10).
- ◆ Rotate to the centre and push it back into the 0° location.
- ◆ Tighten the screw.

Switching on and off (fig. G)

- ◆ To switch the tool on, press the on/off switch (1).
- ◆ The LED work light (7a) will actuate.
- ◆ For continuous operation, press the on/off switch (1) and then press the lock-on button (2).
- ◆ To switch the tool off, release the on/off switch.
To switch the tool off, when in continuous operation press the on/off switch once more and release it.

Variable speed control

Set the jigsaw speed by rotating the variable speed control wheel (7) to the appropriate speed. Rotating the variable speed control wheel toward the rear of the jigsaw will result in slower speeds. Position the speed control dial at "1" for the slowest speed, "3" for medium speed and at "7" for the highest speed.

How to use the sightline feature (fig. E)

- ◆ Use a pencil to mark the cutting line.
- ◆ Position the jigsaw over the line (11).

Viewing from directly above the jigsaw, the line of cut can be followed easily.

Cutting mode

Pendulum stroke or action provides a more aggressive blade motion and is designed for cutting soft materials such as wood or plastic. It provides a faster cut, but with a less smooth cut across the material. Your jigsaw has a Pendulum Stroke dial to set the pendulum action. Use of this dial is explained in the next two sections.

Note: Never use pendulum action to cut metal.

Pendulum Stroke dial (fig. F)

The BES610 has four cutting modes with increasing amounts of pendulum action:

- ◆ Position 0: metal and aluminium and sheet metal (no pendulum action).
- ◆ Position 1: for laminates, hard wood, work tops.
- ◆ Position 2: for plywood and PVC/Plastics.
- ◆ Position 3: for soft wood and fast cutting.

To adjust the pendulum action:

- ◆ Rotate the Pendulum Stroke dial (6) to the required position.

Sawing

Hold the tool firmly with both hands while cutting.

The shoe plate (4) should be held firmly against the material being cut. This will help prevent the saw from jumping, reduce vibration and minimise blade breakage.

- ◆ Let the blade run freely for a few seconds before starting the cut.
- ◆ Apply only a gentle pressure to the tool while performing the cut.

Hints for optimum use

Straight assist blade (Only available with BES610K model)

When you require a straight cut with extra precision, use the straight assist blade (8a).

Sawing laminates

When cutting laminates, splintering may occur which can damage the presentation surface. The most common saw blades cut on the upward stroke, therefore if the shoe plate is sitting on the presentation surface either use a saw blade that cuts on the downward stroke or:

- ◆ Use a fine-tooth saw blade.
- ◆ Saw from the back surface of the workpiece.
- ◆ To minimise splintering, clamp a piece of scrap wood or hardboard to both sides of the workpiece and saw through this sandwich.

Sawing metal

Warning! Do not use a vacuum when cutting metal. Metal filings will be hot and may cause fire.

Be aware that sawing metal takes much more time than sawing wood.

- ◆ Use a saw blade suitable for sawing metal.
- ◆ When cutting thin sheet metal, clamp a piece of scrap wood to the back surface of the workpiece and cut through this sandwich.
- ◆ Spread a film of oil along the intended line of cut.

Plunge Cutting (fig. H)

A plunge cut is an easy method of making an inside cut.

The saw can be inserted directly into a panel or board without first drilling a lead or pilot hole. In plunge cutting, measure the surface to be cut and mark clearly with a pencil. Next tip the saw forward until the front end of the shoe sits firmly on the work surface and the blade clears the work through its full stroke. Switch the tool on and allow it to attain maximum speed.

Grip the saw firmly and lower the back edge of tool slowly until the blade reaches its complete depth. Hold the shoe flat against the wood and begin cutting. Do not remove blade from cut while it is still moving. Blade must come to a complete stop.

Accessories

The performance of your tool depends on the accessory used. BLACK+DECKER accessories are engineered to high quality standards and designed to enhance the performance of your tool. By using these accessories you will get the very best from your tool.

Maintenance

Your BLACK+DECKER tool has been designed to operate over a long period of time with a minimum of maintenance. Continuous satisfactory operation depends upon proper tool care and regular cleaning.

Warning! Before performing any maintenance on the tool, unplug the tool before cleaning it.

- ◆ Regularly clean the ventilation slots in your tool using a soft brush or dry cloth.
- ◆ Regularly clean the motor housing using a damp cloth. Do not use any abrasive or solvent-based cleaner.

Mains plug replacement (U.K. & Ireland only)

If a new mains plug needs to be fitted:

- ◆ Safely dispose of the old plug.
- ◆ Connect the brown lead to the live terminal in the new plug.
- ◆ Connect the blue lead to the neutral terminal.

Warning! No connection is to be made to the earth terminal. Follow the fitting instructions supplied with good quality plugs. Recommended fuse: 5 A.

Protecting the environment



Separate collection. Products and batteries marked with this symbol must not be disposed of with normal household waste.

Products and batteries contain materials that can be recovered or recycled reducing the demand for raw materials. Please recycle electrical products and batteries according to local provisions. Further information is available at www.2helpU.com

Technical data

		BES610
Input voltage	V _{AC}	230
Power input	W	650
No-load speed	min ⁻¹	1000 - 3100
Max depth of cut		
Wood	mm	90
Steel	mm	8
Aluminium	mm	15
Weight	kg	2.2

Level of sound pressure according to EN 62841:

Sound pressure (L_{pa}) 87.7 dB(A), uncertainty (K) 3 dB(A)

Sound power (L_{wa}) 98.7 dB(A), uncertainty (K) 3 dB(A)

Vibration total values (triax vector sum) according to EN 62841:

Cutting boards (a_{h,s}) 3.6 m/s², uncertainty (K) 1.5 m/s²

Cutting sheet metal (a_{h,m}) 5.0 m/s², uncertainty (K) 1.5 m/s²

EC declaration of conformity

MACHINERY DIRECTIVE



BES610 Jigsaw

Black & Decker declares that these products described under "technical data" are in compliance with:

2006/42/EC, EN62841-1:2015, EN62841-2-11:2016.

These products also comply with Directive 2014/30/EU and 2011/65/EU. For more information, please contact Black & Decker at the following address or refer to the back of the manual.

The undersigned is responsible for compilation of the technical file and makes this declaration on behalf of Black & Decker.

Patrick Diepenbach

Patrick Diepenbach
 Director General, Benelux
 Black & Decker,
 Egide Walschaertsstraat 14-18
 2800 Mechelen, Bélgica
 31/07/2018

Guarantee

Black & Decker is confident of the quality of its products and offers consumers a 24 month guarantee from the date of purchase. This guarantee is in addition to and in no way prejudices your statutory rights. The guarantee is valid within the territories of the Member States of the European Union and the European Free Trade Area.

To claim on the guarantee, the claim must be in accordance with Black & Decker Terms and Conditions and you will need to submit proof of purchase to the seller or an authorised repair agent.

Terms and conditions of the Black & Decker 2 year guarantee and the location of your nearest authorised repair agent can be obtained on the Internet at www.2helpU.com, or by contacting your local Black & Decker office at the address indicated in this manual.

Please visit our website www.blackanddecker.co.uk to register your new Black & Decker product and receive updates on new products and special offers.

(Übersetzung der ursprünglichen Anweisungen)

Verwendungszweck

Ihre BLACK+DECKER Stichsäge BES610 wurde zum Sägen von Holz, Kunststoff und Metallblechen entwickelt. Dieses Werkzeug ist nicht für den gewerblichen Einsatz vorgesehen.

Sicherheitshinweise

Allgemeine Sicherheitswarnungen für das Gerät



Warnung! Beachten Sie alle Sicherheitshinweise, Anweisungen, Darstellungen und Daten, die Sie mit dem Gerät erhalten. Die Nichteinhaltung der folgenden Warnungen und Anweisungen kann einen elektrischen Schlag, Brand und/oder schwere Verletzungen verursachen.

Bewahren Sie alle Warnhinweise und alle Anweisungen gut auf. Der nachfolgend verwendete Begriff "Gerät" bezieht sich auf netzbetriebene Geräte (mit Netzkabel) und auf akku-betriebene Geräte (ohne Netzkabel).

1. Sicherheit im Arbeitsbereich

- a. **Halten Sie Ihren Arbeitsbereich sauber und gut ausgeleuchtet.** Unaufgeräumte oder dunkle Bereiche begünstigen Unfälle.
- b. **Betreiben Sie das Gerät nicht in Umgebungen, in denen Explosionsgefahr z. B. aufgrund von brennbaren Flüssigkeiten, Gasen oder Staub besteht.** Geräte erzeugen Funken, die den Staub oder die Dämpfe entzünden können.

- c. **Halten Sie Kinder und andere Personen während der Benutzung eines Elektrowerkzeugs fern.** Bei Ablenkung können Sie die Kontrolle verlieren.
2. **Elektrische Sicherheit**
- a. **Der Netzstecker des Geräts muss in die Steckdose passen. Ändern Sie niemals den Stecker in irgendeiner Form. Verwenden Sie keinerlei Adapterstecker an geerdeten Elektrogeräten.** Unveränderte Stecker und passende Steckdosen mindern die Gefahr eines elektrischen Schlages.
- b. **Vermeiden Sie Körperkontakt mit geerdeten Oberflächen von Rohren, Heizungen, Herden und Kühlschränken.** Es besteht eine erhöhte Gefahr für einen elektrischen Schlag, wenn Ihr Körper geerdet ist.
- c. **Halten Sie Geräte von Regen und Nässe fern.** Wenn Wasser in das Elektrogerät eindringt, erhöht sich die Gefahr eines elektrischen Schlages.
- d. **Verwenden Sie das Kabel ordnungsgemäß. Verwenden Sie es niemals zum Tragen. Trennen Sie das Gerät nicht durch Ziehen am Kabel vom Netz. Halten Sie das Kabel fern von Hitze, Öl, scharfen Kanten oder beweglichen Teilen.** Beschädigte oder verhedderte Kabel erhöhen die Gefahr eines elektrischen Schlages.
- e. **Verwenden Sie nur für den Außenbereich zugelassene Verlängerungskabel, wenn Sie mit dem Elektrowerkzeug im Freien arbeiten.** Die Verwendung von für den Außeneinsatz geeigneten Kabeln mindert die Gefahr eines elektrischen Schlages.
- f. **Wenn das Elektrowerkzeug in einer feuchten Umgebung verwendet werden muss, schließen Sie es unbedingt an eine Steckdose mit Fehlerstromschutzschalter (FI-Schalter) an.** Ein Fehlerstromschutzschalter verringert das Risiko eines elektrischen Schlags.
3. **Sicherheit von Personen**
- a. **Seien Sie aufmerksam, achten Sie darauf, was Sie tun, und gehen Sie sachgerecht mit einem Elektrowerkzeug um. Benutzen Sie kein Elektrowerkzeug, wenn Sie müde sind oder unter dem Einfluss von Drogen, Alkohol oder Medikamenten stehen.** Ein Moment der Unachtsamkeit beim Betrieb eines Elektrowerkzeugs kann zu schweren Verletzungen führen.
- b. **Verwenden Sie eine geeignete Schutzausrüstung. Tragen Sie immer einen Augenschutz.** Das Tragen persönlicher Schutzausrüstung, wie Staubmaske, rutschfeste Sicherheitsschuhe, Schutzhelm oder Gehörschutz, je nach Art und Einsatz des Geräts, verringert das Risiko von Verletzungen.
- c. **Vermeiden Sie eine unbeabsichtigte Inbetriebnahme. Vergewissern Sie sich, dass das Gerät ausgeschaltet ist, bevor Sie es an eine Steckdose oder einen Akku anschließen, es hochheben oder tragen.** Wenn Sie beim Tragen des Geräts den Finger am Schalter haben oder das Gerät eingeschaltet an die Stromversorgung anschließen, kann dies zu Unfällen führen.
- d. **Entfernen Sie Einstell- oder Schraubenschlüssel, bevor Sie das Gerät einschalten.** Werkzeuge oder Schlüssel, die an rotierenden Teilen des Elektrogerätes angebracht sind, können zu Verletzungen führen.
- e. **Beugen Sie sich nicht zu weit nach vorne. Sorgen Sie für einen sicheren Stand und halten Sie jederzeit das Gleichgewicht.** Dadurch können Sie das Gerät in unerwarteten Situationen besser kontrollieren.
- f. **Tragen Sie geeignete Kleidung. Tragen Sie keine weite Kleidung und keinen Schmuck. Halten Sie Ihre Haare, Kleidung und Handschuhe von beweglichen Teilen fern.** Lose sitzende Kleidung, Schmuck oder lange Haare können sich in den beweglichen Teilen verfangen.
- g. **Falls Vorrichtungen zum Absaugen oder Auffangen von Staub vorhanden sind, vergewissern Sie sich, dass diese angeschlossen sind und richtig verwendet werden.** Das Verwenden einer Staubauffangvorrichtung verringert Gefährdungen durch Staub.
- h. **Vermeiden Sie, dass Sie durch häufige Verwendung von Werkzeugen unachtsam werden und die Prinzipien der Werkzeugsicherheit ignorieren.** Unachtsamkeit kann innerhalb von Sekundenbruchteilen zu schweren Verletzungen führen.
4. **Gebrauch und Pflege von Geräten**
- a. **Überlasten Sie das Gerät nicht. Verwenden Sie das für Ihre Arbeit passende Gerät.** Das richtige Gerät wird die Aufgabe besser und sicherer erledigen, wenn es bestimmungsgemäß verwendet wird.
- b. **Verwenden Sie das Gerät nicht, wenn der Ein-/Ausschalter nicht funktioniert.** Ein Gerät, das sich nicht mehr ein- oder ausschalten lässt, ist gefährlich und muss repariert werden.
- c. **Ziehen Sie den Stecker aus der Steckdose, oder trennen Sie das Gerät vom Akku, bevor Sie Einstellungen vornehmen, Zubehörteile wechseln oder das Gerät lagern.** Diese Vorbeugemaßnahmen mindern die Gefahr, dass das Elektrogerät unbeabsichtigt startet.
- d. **Bewahren Sie unbenutzte Geräte außerhalb der Reichweite von Kindern auf. Lassen Sie Geräte nicht von Personen benutzen, die damit nicht vertraut sind oder diese Anweisungen nicht gelesen haben.** Geräte sind in den Händen nicht geschulter Personen gefährlich.
- e. **Halten Sie das Gerät und sein Zubehör in einem einwandfreien Zustand.**

Kontrollieren Sie, ob bewegliche Teile falsch ausgerichtet sind oder klemmen und ob Teile gebrochen oder so beschädigt sind, dass die Funktion des Geräts beeinträchtigt ist. Bei Beschädigungen lassen Sie das Gerät reparieren, bevor Sie es verwenden. Viele Unfälle entstehen wegen mangelnder Wartung der Geräte.

- f. **Halten Sie Schneidgeräte scharf und sauber.** Richtig gewartete Schneidwerkzeuge mit scharfen Klingen blockieren seltener und sind leichter unter Kontrolle zu halten.
- g. **Verwenden Sie Gerät, Zubehör, Einsatz-Bits usw. entsprechend diesen Anweisungen und berücksichtigen Sie dabei die Arbeitsbedingungen und die auszuführende Arbeit.** Der Gebrauch von Elektrowerkzeugen für andere als die vorgesehenen Zwecke kann zu gefährlichen Situationen führen.
- h. **Halten Sie Griffe und Griffflächen trocken, sauber und frei von Öl und Fett.** Rutschige Griffe und Griffflächen können in unerwarteten Situationen die sichere Handhabung und Kontrolle des Werkzeugs verhindern.

6. Service

- a. **Lassen Sie Ihr Elektrowerkzeug nur von qualifiziertem Fachpersonal und nur mit Original-Ersatzteilen reparieren.** Damit wird sichergestellt, dass die Sicherheit des Geräts erhalten bleibt.

Zusätzliche Sicherheitswarnungen für das Gerät



Warnung! Zusätzliche Sicherheitswarnungen für Stichsägen und Säbelsägen

- ◆ **Halten Sie das Elektrowerkzeug an den isolierten Griffflächen, wenn Arbeiten durchgeführt werden, bei denen durch das Zubehör verdeckte Kabel beschädigt werden könnten.** Der Kontakt mit stromführenden Leitungen kann auch offen liegende Metallteile am Gerät unter Strom setzen und zu einem Stromschlag führen.
- ◆ **Verwenden Sie Klemmen oder eine andere geeignete Methode, um das Werkstück auf einer stabilen Plattform zu sichern.** Das Werkstück ist instabil, wenn es mit der Hand oder dem Körper abgestützt wird, was zum Verlust der Kontrolle führen kann.
- ◆ **Halten Sie Ihre Hände von der Schneidzone fern.** Greifen Sie niemals unter das zu schneidende Werkstück. Bewegen Sie Ihre Finger nicht in die Nähe des rotierenden Sägeblatts und der Sägeblattklemme. Versuchen Sie nicht, die Säge zu stabilisieren, indem Sie diese am Schuh halten.

- ◆ **Halten Sie die Sägeblätter scharf.** Durch stumpfe oder beschädigte Sägeblätter kann die Säge plötzlich ausbrechen oder festklemmen, wenn Druck auf sie ausgeübt wird. Verwenden Sie immer ein geeignetes Sägeblatt, das dem Material des Werkstücks und der Art des Schnitts entspricht.
- ◆ **Beim Sägen von Rohren oder Leitungen ist sicherzustellen, dass sich darin kein Wasser, keine Stromkabel usw. befinden.**
- ◆ **Berühren Sie das Werkstück oder das Sägeblatt nicht direkt nach dem Gebrauch.** Sie können sehr heiß werden.
- ◆ **Prüfen Sie vor dem Bohren in Wände, Fußböden oder Decken diese Stellen auf dahinter liegende Kabel oder Rohre.**
- ◆ **Das Sägeblatt bewegt sich auch dann noch, wenn Sie den Schalter loslassen.** Schalten Sie das Werkzeug immer aus und warten Sie, bis das Sägeblatt vollständig zum Stillstand gekommen ist, bevor Sie das Werkzeug ablegen.

Warnung! Die Berührung und das Einatmen von Stäuben, die beim Sägen von Materialien entstehen, können beim Bediener und bei Umstehenden gesundheitliche Schäden verursachen. Tragen Sie eine Staubmaske, die speziell zum Schutz vor Staub und Dämpfen entwickelt wurde, und stellen Sie sicher, dass auch Personen geschützt werden, die sich innerhalb des Arbeitsbereichs aufhalten oder ihn betreten.

- ◆ Die bestimmungsgemäße Verwendung ist in dieser Betriebsanleitung beschrieben.
- ◆ Die Verwendung von Zubehör oder Anbauteilen oder die Bedienung des Geräts in Abweichung von den in dieser Anleitung beschriebenen Verfahren kann ein Risiko von Verletzungen bzw. Sachschäden bedeuten.

Sicherheit anderer Personen

- ◆ Das Gerät ist nicht für die unbeaufsichtigte Verwendung durch Personen (einschließlich Kinder) mit reduzierten körperlichen, sensorischen oder mentalen Fähigkeiten oder Mangel an Erfahrung und Wissen vorgesehen, außer sie werden bei der Verwendung des Geräts durch eine Person beaufsichtigt oder angeleitet, die für ihre Sicherheit verantwortlich ist.
- ◆ Kinder müssen beaufsichtigt werden, um sicherzustellen, dass sie nicht mit dem Gerät spielen.

Restrisiken

Bei der Verwendung des Werkzeugs können zusätzliche Restrisiken entstehen, die eventuell nicht in den beiliegenden Sicherheitswarnhinweise aufgeführt werden. Diese Risiken bestehen beispielsweise bei Missbrauch oder längerem Gebrauch.

Auch bei der Anwendung der einschlägigen Sicherheitsbestimmungen und der Nutzung von Sicherheitseinrichtungen sind gewisse Restrisiken nicht vermeidbar. Diese sind:

- ◆ Verletzungen, die durch das Berühren von sich drehenden/bewegenden Teilen verursacht werden.
- ◆ Verletzungen, die durch das Austauschen von Teilen, Messern oder Zubehör verursacht werden.
- ◆ Verletzungen, die durch längeren Gebrauch eines Geräts verursacht werden. Legen Sie bei längerem Gebrauch regelmäßige Pausen ein.
- ◆ Beeinträchtigung des Gehörs.
- ◆ Gesundheitsrisiko durch Einatmen des beim Arbeiten anfallenden Staubs (Beispiel: Arbeiten mit Holz, vor allem Eiche, Buche und MDF).

Vibration

Die in den Abschnitten „Technische Daten“ und „EU-Konformitätserklärung“ angegebenen Werte für die Vibrationsemission wurden mit einer Standard-Prüfmethode nach EN62841 ermittelt und können zum Vergleich verschiedener Geräte herangezogen werden.

Außerdem kann mit Hilfe dieses Werts die Belastung bei Verwendung des Geräts schon im Voraus eingeschätzt werden.

Warnung! Die bei Verwendung des Geräts auftretende Vibrationsemission hängt von der Art des Gerätegebrauchs ab und kann dementsprechend von dem angegebenen Wert abweichen. Gegebenenfalls kann die Vibration über dem angegebenen Wert liegen.

Für die Ermittlung der Vibrationsbelastung müssen die tatsächlichen Einsatzbedingungen und Verwendungen des Geräts während des gesamten Arbeitsgangs berücksichtigt werden, einschließlich der Zeiten, wenn das Gerät nicht verwendet oder im Leerlauf betrieben wird. Diese Werte werden benötigt, um die gemäß 2002/44/EG erforderlichen Sicherheitsmaßnahmen zum Schutz von Personen festlegen zu können.

Etiketten am Werkzeug

Folgende Piktogramme sowie der Datumscode befinden sich auf dem Werkzeug:



Warnung! Lesen Sie vor Gebrauch die Anleitung. Andernfalls besteht Verletzungsgefahr.

Elektrische Sicherheit



Dieses Gerät ist schutzisoliert, daher ist keine Erdleitung erforderlich. Überprüfen Sie immer, dass die Stromversorgung der Spannung auf dem Typenschild entspricht.

- ◆ Bei einer Beschädigung des Netzkabels muss dieses durch den Hersteller oder eine BLACK+DECKER-Vertragswerkstatt ausgetauscht werden, um mögliche Gefahren zu vermeiden.

Merkmale

Dieses Gerät verfügt über einige oder alle der folgenden Merkmale:

1. Ein-/Aus-Schalter
2. Verriegelungsknopf
3. Hebel für Sägeblattverriegelung
4. Sägeschuh
5. Staubabsaugauslass
6. Pendelhubregler
7. Verstellbarer Drehzahlregler
- 7a. LED-Arbeitsleuchte

Montage

Warnung! Vergewissern Sie sich vor der Montage, dass das Gerät ausgeschaltet ist und der Netzstecker gezogen wurde.

Anbringen und Entfernen des Sägeblatts (Abb. A)

- ◆ Halten Sie das Sägeblatt (8) mit den Zähnen nach vorne.
- ◆ Ziehen Sie den Verriegelungshebel (3) aus dem Sägeschuh (4) heraus.
- ◆ Setzen Sie den Schaft des Sägeblatts vollständig so weit in die Sägeblattklemme (9) ein, wie es möglich ist.
- ◆ Geben Sie den Hebel frei.
- ◆ Zum Entfernen des Sägeblatts (8) ziehen Sie den Verriegelungshebel (3) aus dem Sägeschuh (4) heraus und ziehen das Sägeblatt heraus.

Anschließen eines Staubsaugers (Abb. B)

- ◆ Bringen Sie die Staubsaugerdüse an der Staubabsaugöffnung (5) an.

Verwendung

Schwenken des Sägeschuhs für Gehrungsschnitte (Abb. C, D)

Warnung! Betreiben Sie das Gerät nicht mit losem oder abgenommenem Sägeschuh.

Der Sägeschuh (4) kann in einem Winkel von 45° nach links und rechts geschwenkt werden.

- ◆ Lösen Sie die Schraube (10).
- ◆ Drehen Sie den Sägeschuh nach links oder rechts in die 45°-Position.
- ◆ Ziehen Sie die Schraube fest.

So bringen Sie den Sägeschuh (4) wieder in die 90°-Position:

- ◆ Lösen Sie die Schraube (10).
- ◆ Schwenken Sie den Sägeschuh zur Mitte und drücken Sie ihn nach hinten in die 0°-Position.

- ◆ Ziehen Sie die Schraube fest.

Ein- und Ausschalten (Abb. G)

- ◆ Drücken Sie zum Einschalten des Geräts den Ein-/Ausschalter (1).
- ◆ Die LED-Arbeitsleuchte (7a) wird eingeschaltet.
- ◆ Für den Dauerbetrieb drücken Sie den Ein-/Aus-Schalter (1) und dann den Verriegelungsknopf (2).
- ◆ Lassen Sie zum Ausschalten des Geräts den Ein-/Ausschalter los.
Um das Gerät auszuschalten, wenn es im Dauerbetrieb läuft, drücken Sie den Ein-/Aus-Schalter erneut und lassen ihn wieder los.

Geschwindigkeitsregler

Stellen Sie die Geschwindigkeit der Stichsäge ein, indem Sie den Geschwindigkeitsregler (7) auf den gewünschten Wert stellen. Wenn Sie den Geschwindigkeitsregler in Richtung Rückseite der Stichsäge drehen, verringert sich die Geschwindigkeit. Stellen Sie den Geschwindigkeitsregler für die niedrigste Geschwindigkeit auf „1“, für mittlere Geschwindigkeit auf „3“, und wählen Sie „7“ für die höchste Geschwindigkeit.

Verwenden der Sichtlinie (Abb. E)

- ◆ Markieren Sie die Schnittlinie mit einem geeigneten Stift.
- ◆ Richten Sie die Stichsäge über der Linie (11) aus.

Wenn Sie von oben auf die Stichsäge blicken, können Sie der Schnittlinie problemlos folgen.

Schnittmodus

Pendelhub oder -bewegung bewirkt eine aggressivere Sägeblattbewegung und eignet sich zum Sägen weicher Materialien wie Holz oder Kunststoff. Er ermöglicht einen schnelleren Schnitt, jedoch mit einer weniger glatten Schnittkante. Ihre Stichsäge besitzt einen Pendelhubregler, mit dem Sie die Pendelbewegung einstellen können. Der Gebrauch dieses Reglers wird in den nächsten beiden Abschnitten erläutert.

Hinweis: Schneiden Sie im Pendelhub niemals Metall.

Pendelhubregler (Abb. F)

Das Modell BES610 besitzt vier Schnittmodi mit jeweils zunehmender Pendelbewegung:

- ◆ Position 0: Metall, Aluminium und Bleche (keine Pendelbewegung).
- ◆ Position 1: für Laminat, Hartholz und Arbeitsplatten.
- ◆ Position 2: für Sperrholz und PVC/Kunststoffe.
- ◆ Position 3: für Weichholz und schnelle Schnitte.

So stellen Sie die Pendelbewegung ein:

- ◆ Drehen Sie den Pendelhubregler (6) auf die gewünschte Position.

Sägen

Halten Sie beim Sägen das Gerät mit beiden Händen fest. Der Sägeschuh (4) sollte fest gegen das Werkstück gedrückt werden. Dies hilft zu verhindern, dass die Säge springt, reduziert Vibrationen und minimiert Beschädigungen des Sägeblatts.

- ◆ Lassen Sie das Sägeblatt einige Sekunden frei drehen, bevor Sie mit der Arbeit beginnen.
- ◆ Üben Sie während des Sägens nur einen geringen Druck auf das Gerät aus.

Hinweise für optimale Arbeitsergebnisse

Gerades Führungsblatt (nur für das Modell BES610K erhältlich)

Verwenden Sie für besonders feine gerade Schnitte das gerade Führungsblatt (8a).

Sägen von Laminat

Beim Sägen von Laminat kann die sichtbare Oberfläche splintern. Die meisten Sägeblätter schneiden beim Aufwärtshub. Wenn der Sägeschuh also auf der Präsentationsfläche sitzt, verwenden Sie entweder ein Sägeblatt, das beim Abwärtshub schneidet, oder:

- ◆ Verwenden Sie ein Sägeblatt mit feiner Zahnung.
- ◆ Drehen Sie das Werkstück um, und setzen Sie die Säge an der Unterseite an.
- ◆ Um Absplatterungen zu minimieren, klemmen Sie ein Stück Abfallholz oder Harthfaserplatte an beide Seiten des Werkstücks und schneiden Sie durch dieses „Sandwich“.

Sägen von Metall

Warnung! Verwenden Sie beim Schneiden von Metall keinen Staubsauger. Metallspäne sind heiß und können Brände verursachen. Das Sägen von Metall erfolgt wesentlich langsamer als bei Werkstücken aus Holz.

- ◆ Verwenden Sie ein Sägeblatt, das zum Sägen von Metall geeignet ist.
- ◆ Klemmen Sie beim Schneiden von dünnen Metallblechen ein Stück Altholz an die Rückseite des Werkstücks und schneiden Sie durch dieses „Sandwich“.
- ◆ Bringen Sie einen dünnen Ölfilm entlang der beabsichtigten Schnittlinie auf.

Eintauchschnitt (Abb. H)

Eine einfache Methode für Innenschnitte ist der Eintauchschnitt. Die Säge kann direkt in ein Paneel oder Brett eingesetzt werden, ohne dass zuvor eine Führung oder eine Pilotbohrung gebohrt werden muss. Messen Sie bei Eintauchschnitten die zu schneidende Oberfläche ab und markieren Sie diese mit einem geeigneten Stift. Anschließend kippen Sie die Säge nach vorne, bis das vordere Ende des Schuhs fest auf der Arbeitsfläche sitzt und das Sägeblatt die Arbeit durch den vollen Hub freigibt.

Schalten Sie das Gerät ein und lassen Sie es die maximale Geschwindigkeit erreichen.

Halten Sie die Säge fest und senken Sie das hintere Ende des Werkzeugs langsam ab, bis das Sägeblatt seine volle Tiefe erreicht hat. Halten Sie den Schuh flach gegen das Holz und beginnen Sie mit dem Sägen. Nehmen Sie das Sägeblatt nicht aus dem Schnitt, wenn es sich noch bewegt. Warten Sie, bis das Sägeblatt vollständig zum Stillstand gekommen ist.

Zubehör

Das verwendete Zubehör hat wesentlichen Einfluss auf die Leistung des Geräts. Zubehörteile von BLACK+DECKER erfüllen höchste Qualitätsstandards und wurden speziell für die Verwendung mit Ihrem Gerät entwickelt. Bei Verwendung dieses Zubehörs erhalten Sie stets optimale Ergebnisse.

Wartung

Ihr BLACK+DECKER Gerät wurde im Hinblick auf eine lange Lebensdauer und einen möglichst geringen Wartungsaufwand entwickelt. Ein kontinuierlicher, zufriedenstellender Betrieb hängt von der richtigen Pflege des Gerätes und seiner regelmäßigen Reinigung ab.

Warnung! Ziehen Sie vor jeglichen Wartungsarbeiten am Werkzeug den Netzstecker des Geräts aus der Steckdose.

- ◆ Reinigen Sie regelmäßig die Lüftungsschlitze des Geräts mit Hilfe einer weichen Bürste oder eines trockenen Tuchs.
- ◆ Reinigen Sie das Motorgehäuse regelmäßig mit einem feuchten Tuch. Verwenden Sie keine scheuernden Reinigungsmittel oder Reinigungsmittel auf Lösungsmittelbasis.

Austauschen des Netzsteckers (nur Großbritannien und Irland)

Wenn ein neuer Netzstecker angebracht werden muss:

- ◆ Entsorgen Sie den alten Stecker auf sachgerechte Weise.
- ◆ Verbinden Sie die braune Leitung mit dem spannungsführenden Anschluss des Steckers.
- ◆ Verbinden Sie die blaue Leitung mit dem neutralen Anschluss.

Warnung! Stellen Sie keine Verbindung mit dem Erdanschluss her.

Befolgen Sie die Montageanweisungen, die mit hochwertigen Steckern mitgeliefert werden. Empfohlene Sicherung: 5 A.

Umweltschutz



Getrennte Entsorgung. Produkte und Akkus mit diesem Symbol dürfen nicht mit dem normalen Hausmüll entsorgt werden.

Produkte und Akkus enthalten Materialien, die wiederverwertet werden können, um den Bedarf an Rohstoffen zu verringern.

Bitte recyceln Sie elektrische Produkte und Akkus gemäß den örtlichen Bestimmungen. Weitere Informationen finden Sie auf www.2helpU.com

Technische Daten

		BES610
Eingangsspannung	V_{AC}	230
Leistungsaufnahme	W	650
Leerlaufdrehzahl	min^{-1}	1000 - 3100
Maximale Schnitttiefe		
Holz	mm	90
Stahl	mm	8
Aluminium	mm	15
Gewicht	kg	2,2

Schalldruckpegel gemäß EN 62841:

Schalldruck (L_{pA}) 87,7 dB(A), Unsicherheitsfaktor (K) 3 dB(A)
Schalleistung (L_{WA}) 98,7 dB(A), Unsicherheitsfaktor (K) 3 dB(A)

Gesamtvibration (Triax-Vektorsumme) gemäß EN 62841:

Schneiden von Brettern (a_{hB}) 3,6 m/s^2 , Unsicherheitsfaktor (K) 1,5 m/s^2
Schneiden von Metallblech (a_{hN}) 5,0 m/s^2 , Unsicherheitsfaktor (K) 1,5 m/s^2

EU-Konformitätserklärung

MASCHINENRICHTLINIE



BES610 Stichsäge

Black & Decker erklärt, dass die in den „Technischen Daten“ beschriebenen Geräte übereinstimmen mit:

2006/42/EC, EN62841-1:2015, EN62841-2-11:2016.

Diese Produkte entsprechen außerdem den Richtlinien 2014/30/EU und 2011/65/EU. Weitere Informationen erhalten Sie von Black & Decker unter der folgenden Adresse. Diese befindet sich auch auf der Rückseite dieser Anleitung.

Der Unterzeichnete ist verantwortlich für die Zusammenstellung des technischen Dokuments und gibt diese Erklärung im

Namen von
Black & Decker ab.

Patrick Diepenbach

Patrick Diepenbach
Director General, Benelux
Black & Decker,
Egide Walschaertsstraat 14-18
2800 Mechelen, Bélgica
31.07.2018

Garantie

Black & Decker vertraut auf die Qualität der eigenen Geräte und bietet dem Käufer eine außergewöhnliche Garantie von 24 Monaten ab Kaufdatum. Diese Garantie versteht sich unbeschadet der gesetzlichen Gewährleistungsansprüche und schränkt diese keinesfalls ein. Diese Garantie gilt innerhalb der Staatsgebiete der Mitgliedstaaten der Europäischen Union und der Europäischen Freihandelszone.

Zur Inanspruchnahme dieser Garantie muss sie den allgemeinen Geschäftsbedingungen von Black & Decker entsprechen und dem Verkäufer bzw. der Vertragswerkstatt ist ein Kaufnachweis vorzulegen.

Die Bedingungen für die 2-jährige Garantie von Black & Decker und den Standort Ihrer nächstgelegenen Vertragswerkstatt finden Sie im Internet unter www.2helpU.com oder indem Sie sich an die lokale Black & Decker-Niederlassung wenden, deren Adresse Sie in dieser Anleitung finden.

Ihr neues Black & Decker Produkt können Sie auf unserer Website unter www.blackanddecker.de registrieren. Dort erhalten Sie auch Informationen über neue Produkte und Sonderangebote.

Utilisation prévue

Votre scie sauteuse BLACK+DECKER BES610 a été spécialement conçue pour scier le bois, le plastique et la tôle. Cet outil a été conçu pour une utilisation exclusivement domestique.

Consignes de sécurité

Avertissements de sécurité générale liés aux outils électriques



Avertissement ! Veuillez lire tous les avertissements de sécurité, toutes les instructions, les illustrations et les spécifications fournies avec cet outil électrique. Le non-respect des avertissements et des instructions listés ci-dessous peut entraîner des chocs électriques, des incendies et/ou de graves blessures.

Conservez tous les avertissements et toutes les instructions afin de pouvoir vous y référer dans le futur. Le terme "outil électrique" mentionné dans tous les avertissements listés ci-dessous fait référence à vos outils électriques branchés sur secteur (avec câble) ou fonctionnant sur pile ou batterie (sans fil).

1. Sécurité de la zone de travail

- a. **Maintenez la zone de travail propre et bien éclairée.** Les zones sombres ou encombrées sont propices aux accidents.

- b. **N'utilisez pas d'outils électriques dans un environnement présentant des risques d'explosion ou en présence de liquides, gaz ou poussières inflammables.** Les outils électriques créent des étincelles qui peuvent enflammer les poussières et les fumées.
- c. **Maintenez les enfants et les autres personnes éloignés lorsqu'un outil électrique est en marche.** Toute distraction peut vous faire perdre le contrôle de l'outil.

2. Sécurité électrique

- a. **Les prises des outils électriques doivent correspondre à la prise de courant murale. Ne modifiez jamais la prise d'aucune sorte. N'utilisez aucun adaptateur avec des outils électriques reliés à la terre.** L'utilisation de prises d'origine et de prises murales appropriées permet de réduire le risque de choc électrique.
- b. **Évitez tout contact physique avec des surfaces reliées à la terre comme des tuyaux, des radiateurs, des fours et des réfrigérateurs par exemple.** Il y a sinon un risque accru de choc électrique si votre corps est lui-même relié à la terre.
- c. **N'exposez pas les outils électriques à la pluie, ni à l'humidité.** Le risque de choc électrique augmente si de l'eau pénètre dans un outil électrique.
- d. **Ne tirez pas sur le cordon d'alimentation. N'utilisez jamais le cordon pour transporter, tirer ou débrancher l'outil électrique. Maintenez le cordon éloigné de la chaleur, de substances grasses, de bords tranchants ou de pièces mobiles.** Les cordons endommagés ou emmêlés augmentent le risque de choc électrique.
- e. **Si vous utilisez un outil électrique à l'extérieur, utilisez une rallonge homologuée pour les travaux extérieurs.** L'utilisation d'une rallonge électrique homologuée pour les travaux en extérieur réduit le risque de choc électrique.
- f. **Si l'utilisation d'un outil électrique dans un endroit humide est inévitable, utilisez une alimentation électrique protégée par un disjoncteur différentiel à courant résiduel (DDR).** L'utilisation d'un disjoncteur différentiel réduit le risque de choc électrique.

3. Sécurité des personnes

- a. **Restez vigilant, surveillez ce que vous faites et faites preuve de bon sens lorsque vous utilisez un outil électrique.** **N'utilisez pas d'outils électriques si vous êtes fatigué ou sous l'influence de drogue, d'alcool ou de médicaments.** Tout moment d'inattention pendant l'utilisation d'un outil électrique peut engendrer de graves blessures.
- b. **Portez des équipements de protection individuelle. Portez toujours une protection oculaire.**

Les équipements de protection comme les masques à poussière, les chaussures de sécurité antidérapantes, les casques ou les protections auditives, utilisés à bon escient, réduisent le risque de blessures.

- c. **Empêchez tout démarrage intempestif. Assurez-vous que l'interrupteur est en position Arrêt avant de raccorder l'outil à l'alimentation électrique et/ou au bloc-batterie ou avant de ramasser ou de transporter l'outil.** Le fait de transporter les outils électriques le doigt sur l'interrupteur ou d'alimenter les outils électriques dont l'interrupteur est déjà en position de marche augmente le risque d'accidents.
- d. **Retirez toutes les clés ou pinces de réglage avant de mettre l'outil en marche.** Une clé ou une pince restée fixée sur une pièce rotative de l'outil électrique peut engendrer des blessures.
- e. **Ne vous penchez pas. Gardez les pieds bien ancrés au sol et conservez votre équilibre en permanence.** Cela permet de mieux maîtriser l'outil électrique en cas de situations imprévues.
- f. **Portez des vêtements appropriés. Ne portez aucun vêtement ample ou bijou. Gardez vos cheveux, vos vêtements et vos gants éloignés des pièces mobiles.** Les vêtements amples, les bijoux ou les cheveux longs peuvent être happés par les pièces mobiles.
- g. **Si des dispositifs pour le raccordement d'un extracteur de poussières ou des installations pour la récupération sont présents, assurez-vous qu'ils sont correctement raccordés et utilisés.** L'utilisation de dispositifs récupérateurs de poussières réduit les risques liés aux poussières.
- h. **Ne pensez pas être si familiarisé avec les outils après en avoir utilisés à de nombreuses reprises, au point de ne plus rester vigilant et d'en oublier les consignes de sécurité.** Toute action imprudente peut provoquer de graves blessures en une fraction de seconde.

4. Utilisation et entretien des outils électriques

- a. **Respectez la capacité de l'outil. Utilisez l'outil approprié en fonction du travail à réaliser.**
Un outil adapté fonctionne mieux, de façon plus sûre et à la cadence pour laquelle il a été conçu.
- b. **N'utilisez pas l'outil électrique si son interrupteur ne permet pas de l'allumer ou de l'éteindre.** Tout outil électrique qui ne peut plus être commandé par son interrupteur est dangereux et doit être réparé.
- c. **Débranchez la prise du secteur et/ou retirez le bloc-batterie de l'outil électrique avant d'effectuer tout réglage, de changer un accessoire ou de ranger l'outil électrique.** Ces mesures de sécurité préventives réduisent le risque de démarrage accidentel de l'outil électrique.

- d. **Rangez les outils électriques non utilisés hors de portée des enfants et ne laissez aucune personne ne connaissant pas ces outils ou leurs instructions d'utilisation les faire fonctionner.**

Les outils électriques peuvent être dangereux entre des mains inexpérimentées.

- e. **Entretenez vos outils électriques et leurs accessoires. Vérifiez que les pièces mobiles sont alignées correctement et qu'elles ne sont pas coincées. Vérifiez qu'aucune pièce n'est cassée et contrôlez l'absence de toute autre condition qui pourrait nuire au bon fonctionnement de l'outil. En cas de dommage, faites réparer l'outil électrique avant de l'utiliser.** De nombreux accidents sont provoqués par des outils électriques mal entretenus.
- f. **Maintenez les organes de coupe affûtés et propres.** Des organes de coupe bien entretenus et affûtés sont moins susceptibles de rester coincés et sont plus faciles à contrôler.
- g. **Utilisez l'outil électrique, les accessoires et les embouts d'outils conformément à ces instructions, en tenant compte des conditions de travail, ainsi que du travail à effectuer.** L'utilisation d'un outil électrique à des fins autres que celles pour lesquelles il a été prévu engendre des situations dangereuses.
- h. **Gardez les poignées et les surfaces de préhension sèches, propres et exemptes d'huile ou de graisse.** Des poignées et des surfaces de préhension glissantes ne permettent pas de manipuler et de contrôler l'outil de façon sûre en cas de situations inattendues.

6. Révision/Réparation

- a. **Ne faites réparer votre outil électrique que par un réparateur qualifié qui n'utilise que des pièces de rechange d'origine.**
Cela permet de garantir la sûreté de l'outil électrique.

Avertissements de sécurité supplémentaires liés aux outils électriques



Avertissement ! Avertissements de sécurité supplémentaires liés aux scies sauteuses et aux scies alternatives

- ◆ **Tenez l'outil électrique par ses surfaces de préhension isolées lorsque vous réalisez des opérations pendant lesquelles l'accessoire de coupe peut entrer en contact avec des fils cachés.**
Tout contact de l'organe de coupe avec un fil sous tension peut mettre les parties métalliques exposées de l'outil sous tension et provoquer un choc électrique à l'utilisateur.

◆ **Utilisez des fixations ou tout autre moyen pratique pour fixer et soutenir la pièce à scier sur un support stable.**

Tenir l'ouvrage à la main ou contre votre corps le rend instable et peut conduire à une perte de contrôle.

- ◆ **Éloignez vos mains des zones de découpe.** Ne touchez jamais le dessous de la pièce à scier pour quelque raison que ce soit. Ne passez pas vos doigts ou votre pouce à proximité de la lame en mouvement et la fixation de la lame. Ne cherchez pas à stabiliser la scie en tenant la semelle.
- ◆ **Gardez les lames bien affûtées.** Les lames émoussées ou endommagées peuvent faire dévier ou bloquer la scie sous la pression. Utilisez toujours le type de lame de scie adapté pour la matière à scier et le bon type de coupe.
- ◆ **Si vous sciez des tubes, tuyaux ou conduites, assurez-vous qu'ils ne contiennent ni eau, ni fil électrique, etc.**
- ◆ **Ne touchez pas la pièce coupée ou la lame immédiatement après avoir utilisé l'outil.** Elles peuvent être très chaudes.
- ◆ **Prenez conscience des risques potentiels avant de scier des murs, des planchers ou des plafonds, vérifiez l'emplacement des fils électriques et des canalisations.**
- ◆ **Le mouvement de la lame se poursuit après avoir relâché l'interrupteur.** Éteignez toujours l'outil et attendez que la lame de scie soit complètement immobile avant de reposer l'outil.

Avvertissement ! Tout contact ou inhalation de poussières émises pendant la découpe peut nuire à la santé de l'opérateur et des éventuelles personnes à proximité.

Portez un masque anti-poussière spécialement conçu pour protéger des poussières et des fumées et veillez à ce que les personnes se trouvant à l'intérieur de la zone de travail ou y pénétrant soient également protégées.

- ◆ L'utilisation prévue est décrite dans ce manuel d'utilisation.
- ◆ L'utilisation de tout accessoire ou fixation et l'utilisation de cet outil à d'autres fins que celles recommandées dans ce manuel d'utilisation peuvent entraîner un risque de blessures et/ou des dommages matériels.

Sécurité des personnes

- ◆ Cet outil n'est pas destiné à être utilisé par des personnes (y compris des enfants) ayant des capacités physiques, sensorielles ou mentales réduites, ou manquant d'expérience et de connaissances, à moins qu'elles soient encadrées ou qu'elles aient été formées à l'utilisation de l'appareil par une personne responsable de leur sécurité.
- ◆ Les enfants doivent être surveillés afin de garantir qu'ils ne jouent pas avec l'appareil.

Risques résiduels

Lors de l'utilisation de l'appareil, certains risques résiduels peuvent survenir, autres que ceux mentionnés dans les avertissements sur la sécurité. Ces risques peuvent être provoqués par une utilisation incorrecte, prolongée, etc... Malgré l'application des normes de sécurité pertinentes et la mise en œuvre de dispositifs de sécurité, certains risques résiduels ne peuvent pas être évités. Ils comprennent :

- ◆ Les blessures provoquées par le contact avec des pièces rotatives/mobiles.
- ◆ Les blessures provoquées pendant le remplacement de pièces, de lames ou d'accessoires.
- ◆ Les blessures dues à l'utilisation prolongée d'un outil. Si vous utilisez un outil quel qu'il soit pendant de longues périodes, assurez-vous de faire des pauses régulières.
- ◆ La diminution de l'acuité auditive.
- ◆ Les risques pour la santé provoqués par l'inhalation de la poussière émise pendant l'utilisation de l'outil (exemple : travail avec du bois, surtout le chêne, le hêtre et les panneaux en MDF).

Vibrations

La valeur des émissions de vibrations déclarée dans les caractéristiques techniques et la déclaration de conformité a été mesurée conformément à la méthode de test normalisée établie par la norme EN62841 et elle peut être utilisée pour comparer un outil à un autre.

La valeur des émissions de vibrations déclarée peut aussi être utilisée pour une évaluation préliminaire à l'exposition.

Avvertissement ! En fonction de la manière dont l'outil électrique est utilisé, la valeur des émissions de vibrations réelles pendant l'utilisation de l'outil peut différer de la valeur déclarée. Le niveau des vibrations peut dépasser le niveau déclaré.

Quand l'exposition aux vibrations est évaluée afin de déterminer les mesures de sécurité requises par la norme 2002/44/CE pour protéger les personnes utilisant régulièrement des outils électriques, cette estimation doit tenir compte des conditions réelles d'utilisation et de la façon dont l'outil est utilisé. Il faut également tenir compte de toutes les composantes du cycle de fonctionnement comme la durée pendant laquelle l'outil est arrêté et quand il fonctionne au ralenti, ainsi que la durée du déclenchement.

Étiquettes apposées sur l'outil

Les pictogrammes suivants ainsi que le code date sont apposés sur l'outil :

Avvertissement ! Afin de réduire le risque de blessures, l'utilisateur doit lire le manuel d'utilisation.



Sécurité électrique



Cet outil est doublement isolé et ne nécessite donc aucun fil de liaison à la terre. Assurez-vous toujours que l'alimentation électrique correspond à la tension mentionnée sur la plaque signalétique.

- ◆ Si le câble d'alimentation est endommagé, il doit être remplacé par le fabricant ou par un centre de réparation agréé BLACK+DECKER afin d'éviter tout accident.

Caractéristiques

Cet outil dispose de tout ou partie des éléments suivants :

1. Interrupteur Marche/Arrêt
2. Bouton de verrouillage
3. Levier de blocage de la lame de scie
4. Semelle
5. Sortie pour l'extraction des poussières
6. Molette pour la course pendulaire
7. Variateur de vitesse
- 7a. Éclairage de travail à LED

Assemblage

Avertissement ! Avant l'assemblage, assurez-vous que l'outil est éteint et débranché.

Installation et retrait de la lame de scie (Fig. A)

- ◆ Maintenez la lame de scie (8) avec les dents orientées vers l'avant, comme illustré.
- ◆ Poussez le levier de verrouillage (3) pour l'éloigner de la semelle (4).
- ◆ Insérez entièrement la tige de la lame dans le dispositif de fixation de la lame (9) aussi loin que possible.
- ◆ Relâchez le levier.
- ◆ Pour retirer la lame de scie (8), Enfoncez le levier de verrouillage (3) pour l'éloigner de la semelle (4) et tirez sur la lame pour la sortir.

Raccorder un aspirateur à l'outil (Fig. B)

- ◆ Glissez l'embout de l'aspirateur dans la sortie pour l'extraction des poussières (5).

Utilisation

Réglage de la semelle pour les coupes en biseau (Fig. C, D)

Avertissement ! N'utilisez jamais l'outil si la semelle est desserrée ou qu'elle n'est pas installée.

La semelle (4) peut être réglée à un angle de biseau gauche ou droit de 45°.

- ◆ Desserrez la vis (10).
- ◆ Tournez la semelle vers la gauche ou la droite à 45°.
- ◆ Serrez la vis.

Pour repositionner la semelle (4) pour des coupes à 90° :

- ◆ Desserrez la vis (10).
- ◆ Tournez la semelle vers le centre et repoussez-la à la position 0°.
- ◆ Serrez la vis.

Mise en marche et extinction (Fig. G)

- ◆ Pour mettre l'outil en marche, appuyez sur l'interrupteur Marche/Arrêt (1).
- ◆ L'éclairage de travail à LED (7a) s'allume.
- ◆ Pour faire fonctionner la scie en continu, enfoncez l'interrupteur Marche/Arrêt (1) puis le bouton de verrouillage (2).
- ◆ Pour éteindre l'outil, relâchez l'interrupteur Marche/Arrêt. Pour éteindre l'outil quand il est en mode de fonctionnement continu, appuyez une nouvelle fois sur l'interrupteur Marche/Arrêt et relâchez-le.

Contrôle de la vitesse variable

Réglez la vitesse de la scie sauteuse en tournant la molette de réglage de la vitesse (7) à la vitesse voulue. Le fait de tourner la molette de réglage de la vitesse vers l'arrière de la scie sauteuse réduit la vitesse. Placez la molette de réglage de la vitesse sur la position "1" pour obtenir la vitesse la plus lente, sur "3" pour une vitesse moyenne et sur "7" pour la vitesse maximale.

speed.

Utilisation de la fonction Ligne de visée (Fig. E)

- ◆ Utilisez un crayon pour tracer la ligne de coupe.
- ◆ Positionnez la scie sauteuse sur la ligne (11).

En regardant directement au-dessus de la scie, il est facile de suivre la ligne de coupe.

Mode de coupe

La course ou le mouvement pendulaire permet un déplacement plus agressif de la lame et cette fonction est conçue pour scier des matières tendres comme le bois ou le plastique. Elle permet une coupe plus rapide, mais moins fluide dans la matière. Votre scie sauteuse dispose d'une molette pour la Course pendulaire qui permet de régler le mouvement pendulaire. L'utilisation de cette molette est décrite dans les deux sections qui suivent.

Remarque : N'utilisez jamais le mouvement pendulaire pour scier du métal.

Molette de la course pendulaire (Fig. F)

Le modèle BES610 offre quatre modes de coupe avec mouvement pendulaire progressif :

- ◆ Position 0 : métal, aluminium et tôle (pas de mouvement pendulaire).
- ◆ Position 1 : pour le stratifié, le bois dur, les plans de travail.

- ◆ Position 2 : pour le contre-plaqué et le PVC/plastique.
- ◆ Position 3 : pour le bois tendre et les découpes rapides.

Pour régler le mouvement pendulaire :

- ◆ Tournez la molette de la course pendulaire (6) jusqu'à la position requise.

Scier

Tenez fermement l'outil avec les deux mains pendant la découpe. La semelle (4) doit être fermement appuyée contre la pièce à scier. Cela permet d'empêcher la lame de tressauter et cela réduit les vibrations et donc la casse de lame.

- ◆ Laissez la lame fonctionner à vide quelques secondes avant d'entamer la coupe.
- ◆ N'appliquez qu'une légère pression sur l'outil pendant la coupe.

Conseils pour une utilisation optimale

Lame guide droite (uniquement disponibles pour le modèle K610BES)

Pour effectuer une découpe droite ultra-précise, utilisez la lame guide droite (8a).

Scier du stratifié

La découpe de stratifié peut générer des éclats qui peuvent endommager la surface visible. Les lames de scie les plus courantes coupent en remontant. Si la semelle repose sur la face visible il vous faut utiliser une lame de scie qui coupe en descendant ou :

- ◆ Utilisez une lame de scie à dents fines.
- ◆ Sciez sur l'envers de l'ouvrage.
- ◆ Pour minimiser les éclats, fixez une chute de bois ou de panneau rigide des deux côtés de l'ouvrage et sciez à travers cette épaisseur.

Scier du métal

Avertissement ! N'utilisez pas d'aspirateur lorsque vous sciez du métal. Metal Les particules de métal sont chaudes et elles peuvent provoquer un incendie. Sachez que scier du métal prend beaucoup plus de temps que de scier du bois.

- ◆ Utilisez une lame de scie adaptée pour scier le métal.
- ◆ Pour scier des tôles fines, fixez une chute de bois sur l'envers de l'ouvrage et sciez à travers cette épaisseur.
- ◆ Répartissez un filet d'huile le long de la ligne de coupe.

Coupe plongeante (Fig. H)

Une coupe plongeante est une méthode simple pour réaliser des coupes pénétrantes. La scie peut être introduite directement dans un panneau ou une planche sans avoir à d'abord percer de trou pilote. Pour les coupes plongeantes, mesurez la surface à scier et délimitez-la clairement à l'aide d'un crayon.

Ensuite, basculez la scie jusqu'à ce que l'extrémité avant de la semelle repose fermement sur la surface de l'ouvrage et que la lame puisse exécuter la coupe sur toute sa course. Allumez l'outil et laissez-le atteindre sa vitesse maximum.

Tenez fermement la scie et abaissez doucement le bord arrière de l'outil jusqu'à ce que la lame atteigne sa pleine profondeur. Gardez la semelle à plat contre le bois et commencez la coupe. Ne retirez pas la lame de la coupe si elle est toujours en mouvement. Elle doit d'abord être complètement arrêtée.

Accessoires

Les performances de votre outil dépendent de l'accessoire utilisé. Les accessoires BLACK+DECKER sont élaborés selon des normes de qualité supérieures et ils sont conçus pour améliorer les performances de votre outil. L'utilisation de ces accessoires vous permet de tirer le meilleur de votre outil.

Maintenance

Votre outil BLACK+DECKER a été conçu pour fonctionner pendant longtemps avec un minimum d'entretien. Le fonctionnement continu et satisfaisant de l'appareil dépend de son bon entretien et de son nettoyage régulier.

Avertissement ! Avant de procéder à une quelconque opération de maintenance ou de nettoyage sur l'outil, débranchez-le.

- ◆ Nettoyez régulièrement les orifices d'aération de votre outil à l'aide d'une brosse souple ou d'un chiffon sec.
- ◆ Nettoyez régulièrement le bloc-moteur à l'aide d'un chiffon humide. N'utilisez pas de détergents abrasifs ou à base de solvants.

Remplacement de la prise secteur (RU et Irlande uniquement)

Si une nouvelle prise secteur doit être installée :

- ◆ Jetez l'ancienne prise de façon appropriée.
- ◆ Raccordez le fil marron à la borne de phase de la nouvelle prise.
- ◆ Raccordez le fil bleu à la borne du neutre.

Avertissement ! Aucun branchement ne doit être fait à la borne de terre. Suivez les instructions d'installation fournies avec les prises de bonne qualité.

Fusible recommandé : 5 A.

Protection de l'environnement



Tri sélectif. Les produits et batteries marqués de ce symbole ne doivent pas être jetés avec les déchets ménagers.

Les produits et batteries contiennent des matières qui peuvent être récupérées et recyclées afin de réduire la demande en matières premières.

Veillez à recycler les produits électriques et les piles et batteries conformément aux prescriptions locales en vigueur. Plus d'informations sont disponibles sur le site www.2helpU.com

Caractéristiques techniques

		BES610
Tension d'entrée	V _{CA}	230
Puissance absorbée	W	650
Vitesse à vide	min ⁻¹	1000 - 3100
Profondeur de coupe maximum		
Bois	mm	90
Acier	mm	8
Aluminium	mm	15
Poids	kg	2,2

Niveau de pression sonore selon la norme EN 62841 :

Pression sonore (L_{pa}) 87,7 dB(A), incertitude (K) 3 dB(A)

Puissance sonore (L_{wa}) 98,7 dB(A), incertitude (K) 3 dB(A)

Valeurs totales des vibrations (somme vectorielle triaxiale) selon la norme EN 62841 :

Sciage de planches (a_{h,s}) 3,6 m/s², incertitude (K) 1,5 m/s²

Sciage de tôle (a_{h,v}) 5,0 m/s², incertitude (K) 1,5 m/s²

Déclaration de conformité CE

DIRECTIVES MACHINES



Scie sauteuse BES610

Black & Decker déclare que les produits décrits dans les "Caractéristiques techniques" sont conformes aux normes : 2006/42/CE, EN62841-1:2015, EN62841-2-11:2016.

Ces produits sont également conformes aux Directives 2014/30/UE et 2011/65/UE. Pour plus de détails, veuillez contacter Black & Decker à l'adresse suivante ou consultez la dernière page du manuel.

Le soussigné est responsable de la compilation du fichier technique et fait cette déclaration au nom de Black & Decker.

Patrick Diepenbach

Patrick Diepenbach
Director General, Benelux
Black & Decker,
Egide Walschaertsstraat 14-18
2800 Mechelen, Belgique
31/07/2018

Garantie

Black & Decker est sûr de la qualité de ses produits et offre une garantie de 24 mois aux utilisateurs, à partir de la date d'achat. Cette garantie s'ajoute à vos droits légaux auxquels elle ne porte aucunement préjudice. Cette garantie est valable au sein des territoires des États membres de l'Union Européenne et au sein de la Zone européenne de libre-échange.

Pour prétendre à la garantie, la réclamation doit être conforme aux conditions générales de Black & Decker et vous devez fournir une preuve d'achat au vendeur ou au réparateur agréé. Les conditions générales de la garantie de 2 ans Black & Decker ainsi que l'adresse du réparateur agréé le plus proche sont disponibles sur le site Internet www.2helpU.com ou en contactant votre agence Black & Decker locale à l'adresse indiquée dans ce manuel.

Veillez consulter notre site Internet www.blackanddecker.co.uk pour enregistrer votre nouveau produit Black & Decker et pour être tenu informé des nouveaux produits et offres spéciales.

(Traduzione del testo originale)

ITALIANO

Usò previsto

Il seghetto alternativo BLACK+DECKER BES610 è stato progettato per tagliare legno, plastica e lamiera. Questo utensile è destinato esclusivamente all'uso privato.

Istruzioni di sicurezza

Avvertenze di sicurezza generali per gli elettrotensili



Avvertenza! Leggere attentamente tutte le avvertenze, istruzioni, illustrazioni e specifiche fornite con l'elettrotensile. L'inosservanza delle avvertenze e istruzioni elencate di seguito potrebbe dar luogo a scossa elettrica, incendi e/o lesioni gravi alle persone.

Conservare tutte le avvertenze e le istruzioni per consultazioni successive. Il termine "elettrotensile" che ricorre in tutte le avvertenze seguenti si riferisce ad utensili elettrici con o senza filo.

1. Sicurezza nell'area di lavoro

- Mantenere pulita e bene illuminata l'area di lavoro.** Gli ambienti disordinati o scarsamente illuminati favoriscono gli incidenti.
- Evitare di usare gli elettrotensili in ambienti esposti a rischio di esplosione, ad esempio in presenza di liquidi, gas o polveri infiammabili.**

Gli elettrotensili generano scintille che possono incendiare le polveri o i fumi.

- c. **Tenere lontani bambini e altre persone presenti mentre si usa un elettrotensile.** Eventuali distrazioni possono provocare la perdita di controllo dello stesso.
2. **Sicurezza elettrica**
- a. **Le spine elettriche degli elettrotensili devono essere adatte alla presa di corrente. Non modificare la spina in alcun modo. Non utilizzare spine con adattatore con gli elettrotensili dotati di messa a terra.** Per ridurre il rischio di scossa elettrica evitare di modificare le spine e utilizzare sempre le prese di corrente appropriate.
- b. **Evitare il contatto fisico con superfici collegate a terra, come tubi, radiatori, forni e frigoriferi.** Se il corpo dell'utilizzatore è collegato a terra, il rischio di scossa elettrica aumenta.
- c. **Non esporre gli elettrotensili alla pioggia o all'umidità.** Se penetra dell'acqua all'interno dell'elettrotensile, il rischio di scossa elettrica aumenta.
- d. **Non utilizzare il cavo di alimentazione in modo improprio. Non spostare, tirare o scollegare mai l'elettrotensile tirandolo dal cavo. Tenere il cavo di alimentazione lontano da fonti di calore, olio, bordi taglienti o parti in movimento.** Se il cavo di alimentazione è danneggiato o impigliato, il rischio di scosse elettriche aumenta.
- e. **Se l'elettrotensile viene utilizzato all'aperto, usare esclusivamente prolunghe omologate per l'impiego all'esterno.** L'uso di un cavo di alimentazione adatto per esterni riduce il rischio di scossa elettrica.
- f. **Se non è possibile evitare di lavorare in una zona umida, collegarsi a una rete elettrica protetta da un interruttore differenziale (RCD).** L'uso di un dispositivo a corrente residua riduce il rischio di scossa elettrica.
3. **Sicurezza delle persone**
- a. **È importante concentrarsi su ciò che si sta facendo e maneggiare con giudizio l'elettrotensile.** Non utilizzare un elettrotensile quando si è stanchi o sotto l'effetto di sostanze stupefacenti, alcool o medicinali. Un solo attimo di distrazione durante l'uso dell'elettrotensile potrebbe provocare gravi lesioni personali.
- b. **Usare dispositivi di protezione individuale. Indossare sempre dispositivi di protezione per gli occhi.** L'uso di dispositivi di protezione, quali mascherine antipolvere, scarpe antinfortunistiche antiscivolo, elmetti o protezioni auricolari in condizioni opportune consente di ridurre le lesioni personali.
- c. **Impedire l'avviamento involontario.**

Accertarsi che l'interruttore di accensione/spegnimento sia nella posizione di spegnimento, prima di collegare l'elettrotensile alla rete elettrica e/o alla batteria, di prenderlo in mano o di trasportarlo.

- Per non esporsi al rischio di incidenti, non trasportare l'elettrotensile tenendo le dita sull'interruttore di accensione/spegnimento e non collegarlo a una fonte di alimentazione elettrica con l'interruttore in posizione di accensione.
- d. **Prima di accendere un elettrotensile, rimuovere gli eventuali utensili o chiavi di regolazione.** Un utensile di regolazione o una chiave inseriti in una parte rotante dell'elettrotensile può provocare lesioni alle persone.
- e. **Non sbilanciarsi. Mantenere sempre un appoggio e un equilibrio adeguati.** In tal modo è possibile mantenere un migliore controllo dell'elettrotensile nelle situazioni impreviste.
- f. **Vestirsi in maniera opportuna. Non indossare abiti lenti o gioielli. Tenere i capelli, gli indumenti e i guanti lontano dalle parti mobili.** Indumenti larghi, gioielli o capelli lunghi possono impigliarsi nelle parti in movimento.
- g. **Se gli elettrotensili sono provvisti di attacchi per il collegamento di dispositivi di aspirazione o di raccolta delle polveri, assicurarsi che questi ultimi siano installati e utilizzati correttamente.** L'impiego di dispositivi per la raccolta delle polveri può ridurre i pericoli associati a queste ultime.
- h. **Non lasciare che la familiarità acquisita con l'uso frequente degli elettrotensili induca a cedere alla tentazione di ignorare i principi di utilizzo sicuro degli stessi.** Un'azione imprudente potrebbe provocare lesioni gravi alle persone in una frazione di secondo.
4. **Uso e cura dell'elettrotensile**
- a. **Non sovraccaricare l'elettrotensile. Utilizzare l'elettrotensile adatto per il lavoro da eseguire.** L'elettrotensile corretto funziona meglio e in modo più sicuro se viene utilizzato alla velocità per cui è stato progettato.
- b. **Non utilizzare l'elettrotensile se l'interruttore di accensione/spegnimento è difettoso.** Qualsiasi elettrotensile che non possa essere controllato tramite l'interruttore è pericoloso e deve essere riparato.
- c. **Scollegare la spina dalla presa di corrente e/o la batteria dall'elettrotensile prima di regolarlo, sostituirne gli accessori o riporlo in magazzino.** Queste misure di sicurezza preventive riducono il rischio di azionare accidentalmente l'elettrotensile.
- d. **Quando non vengono usati, gli elettrotensili devono essere custoditi fuori dalla portata dei bambini. Non consentire l'uso dell'elettrotensile a persone inesperte o che non abbiano letto le presenti istruzioni d'uso.**

Gli elettroutensili sono pericolosi in mano a persone inesperte.

- e. **Sottoporre gli elettroutensili e gli accessori a regolare manutenzione. Verificare che le parti mobili siano correttamente allineate e non inceppate, che non vi siano componenti rotti e che non sussistano altre condizioni che possono compromettere il funzionamento dell'elettroutensile. Se danneggiato, fare riparare l'elettroutensile prima dell'uso.** Molti incidenti sono provocati da elettroutensili non sottoposti a corretta manutenzione.
- f. **Mantenere affilati e puliti gli utensili da taglio.** La manutenzione corretta degli utensili da taglio con bordi affilati riduce le probabilità di inceppamento e ne facilita il controllo.
- g. **Utilizzare l'elettroutensile, gli accessori, le punte, ecc. in conformità alle presenti istruzioni, tenendo conto delle condizioni operative e del lavoro da eseguire.** L'utilizzo dell'elettroutensile per impieghi diversi da quelli previsti può dare luogo a situazioni di pericolo.
- h. **Mantenere le impugnature e le superfici di presa asciutte, pulite e senza tracce di olio o grasso.** Maniglie e superfici di presa scivolose non consentono di maneggiare e controllare in modo sicuro l'utensile nel caso di imprevisti.

6. Assistenza

- a. **Fare riparare l'elettroutensile esclusivamente da personale qualificato, utilizzando solo pezzi di ricambio originali.**
In questo modo sarà possibile mantenere la sicurezza dell'elettroutensile.

Ulteriori avvertenze di sicurezza riguardanti l'elettroutensile



Avvertenza! Ulteriori avvisi di sicurezza per i seghetti e le seghe alternative

- ◆ **Tenere l'elettroutensile dalle superfici di presa isolate quando si esegue un'operazione in cui l'accessorio di taglio potrebbe venire a contatto con cavi nascosti.**
Se un accessorio di taglio dovesse venire a contatto con un cavo sotto tensione trasmetterebbe la corrente elettrica anche alle parti metalliche esposte dell'elettroutensile, con il pericolo di provocare la folgorazione dell'utilizzatore.
- ◆ **Usare morsa o altri metodi pratici per fissare e supportare il pezzo in lavorazione su una piattaforma stabile.**
Tenere il pezzo in lavorazione con le mani o contro il corpo non ne assicura la stabilità e potrebbe comportare la perdita di controllo dell'elettroutensile.
- ◆ **Tenere le mani lontane dalla zona di taglio.**

Non allungare mai le mani sotto il pezzo in lavorazione. Non infilare le dita o il pollice in prossimità della lama e del morsetto della lama. Non stabilizzare il seghetto afferrando il piedino di scorrimento della lama.

- ◆ **Mantenere le lame affilate.** Le lame non affilate o danneggiate potrebbero fare deviare o inceppare il seghetto sotto pressione. Utilizzare sempre il tipo di lama corretto per il materiale del pezzo in lavorazione e per il tipo di taglio.
- ◆ **Quando si tagliano tubazioni o canaline, assicurarsi che siano state svuotate da acqua, fili elettrici, ecc.**
- ◆ **Non toccare il pezzo in lavorazione o la lama subito dopo l'uso dell'elettroutensile.** Possono diventare molto caldi.
- ◆ **Essere consapevoli dei pericoli nascosti: prima di eseguire tagli in muri, pavimenti o soffitti controllare l'ubicazione di fili elettrici e tubazioni.**
- ◆ **La lama continua a muoversi dopo aver rilasciato l'interruttore.** Spegnerne sempre l'elettroutensile e attendere che la lama si sia arrestata completamente prima di appoggiare il seghetto.

Avvertenza! Il contatto o l'inalazione delle polveri generate durante il taglio potrebbe nuocere alla salute dell'utilizzatore e delle eventuali altre persone presenti. Indossare una mascherina di protezione specifica per polvere e fumi e accertarsi che anche le persone presenti o in arrivo nella zona di lavoro siano adeguatamente protetti.

- ◆ L'uso previsto è indicato nel presente manuale di istruzioni.
- ◆ L'uso di qualsiasi accessorio o attacco o l'impiego di questo elettroutensile per scopi diversi da quelli raccomandati nel presente manuale di istruzioni potrebbero comportare il rischio di lesioni alle persone e/o danni alla proprietà.

Sicurezza altrui

- ◆ Questo elettroutensile non è destinato all'uso da parte di persone (inclusi i bambini) portatrici di handicap fisici, psichici o sensoriali o che non possiedono la dovuta esperienza o conoscenza, a meno che siano seguiti o opportunamente istruiti per quanto riguarda l'uso dell'elettroutensile da una persona responsabile per la loro sicurezza.
- ◆ I bambini devono essere sorvegliati per assicurare che non giochino con l'elettroutensile.

Rischi residui

Quando si usa l'elettroutensile, possono presentarsi alcuni rischi residui aggiuntivi, che possono non essere stati contemplati nelle avvertenze di sicurezza. Tali rischi possono derivare da un uso improprio, prolungato, ecc. dell'elettroutensile.

Perfino attenendosi agli appositi regolamenti di sicurezza e utilizzando i dispositivi di sicurezza adeguati, certi rischi residui non possono essere evitati. Sono inclusi:

- ◆ lesioni causate o subite a seguito del contatto con parti rotanti/in movimento;
- ◆ lesioni causate o subite durante la sostituzione di parti, lame o accessori;
- ◆ lesioni causate dall'impiego prolungato di un elettroutensile (quando si usa qualsiasi elettroutensile per lunghi periodi, accertarsi di fare regolarmente delle pause);
- ◆ menomazioni uditive;
- ◆ pericoli per la salute causati dall'inspirazione delle polveri prodotte durante l'uso dell'elettroutensile (ad esempio quando si lavora con il legno, in modo particolare quello di quercia o l'MDF).

Vibrazioni

I valori delle emissioni di vibrazioni dichiarati, indicati al paragrafo "Dati tecnici" e nella dichiarazione di conformità, sono stati misurati in base al metodo di prova standard previsto dalla normativa EN62841 e possono essere usati come parametri di confronto tra due elettroutensili.

Il valore delle emissioni di vibrazioni dichiarato può anche essere usato come valutazione preliminare dell'esposizione.

Avvertenza! Il valore delle emissioni di vibrazioni durante l'impiego effettivo dell'elettroutensile può variare da quello dichiarato a seconda delle modalità d'uso. Il livello delle vibrazioni può aumentare oltre quello dichiarato.

Quando si valuta l'esposizione alle vibrazioni per determinare le misure di sicurezza richieste dalla normativa 2002/44/CE destinata alla protezione delle persone che utilizzano regolarmente elettroutensili per lo svolgimento delle proprie mansioni, è necessario prendere in considerazione le condizioni effettive di utilizzo e il modo in cui l'elettroutensile viene usato, oltre che tenere conto di tutte le componenti del ciclo operativo, vale a dire i periodi in cui l'elettroutensile rimane spento, quelli in cui è acceso ma fermo e quelli in cui viene effettivamente utilizzato.

Etichette sull'elettroutensile

Sull'elettroutensile compaiono i seguenti pittogrammi:



Avvertenza! Per ridurre il rischio di lesioni alle persone, l'utilizzatore deve leggere il manuale d'istruzioni.

Sicurezza elettrica



Il doppio isolamento di cui è provvisto l'elettroutensile rende superfluo il filo di terra. Assicurarsi che la tensione della rete di alimentazione corrisponda al valore indicato sulla targhetta dei valori nominali.

- ◆ In caso di danneggiamento del cavo di alimentazione, farlo sostituire dal produttore o presso un Centro di assistenza BLACK+DECKER autorizzato, in modo da evitare pericoli.

Caratteristiche

Questo elettroutensile presenta alcune o tutte le seguenti caratteristiche::

1. Interruttore di accensione/spengimento
2. Tasto di blocco dell'interruttore
3. Leva di bloccaggio della lama
4. Piedino di scorrimento della lama
5. Presa per aspirazione delle polveri
6. Selettore corsa per azione pendolare
7. Selettore di velocità variabile
- 7a. Luce di lavoro a LED

Assemblaggio

Avvertenza! Prima di montare l'elettroutensile, assicurarsi che sia spento e scollegato dalla presa di corrente.

Montaggio e smontaggio della lama (Fig. A)

- ◆ Tenere la lama (8) con i denti rivolti in avanti, come illustrato in Figura.
- ◆ Spingere la leva di bloccaggio (3) allontanandola dal piedino di scorrimento della lama (4).
- ◆ Infilare completamente il gambo della lama del rispettivo collare di serraggio (9).
- ◆ Sbloccare la leva.
- ◆ Per rimuovere la lama (8) dal seghetto, premere la leva di bloccaggio (3) allontanandola dal piedino di scorrimento (4) ed estrarre la lama.

Collegamento di un dispositivo di aspirazione delle polveri all'elettroutensile (Fig. B)

- ◆ Infilare il connettore del tubo del dispositivo di aspirazione delle polveri nella presa per aspirazione polveri (5).

Utilizzo

Regolazione del piedino di scorrimento della lama per eseguire tagli smussati (Figg. C, D)

Avvertenza! Non usare mai l'elettroutensile se il piedino di scorrimento della lama è allentato o è stato rimosso. Il piedino di scorrimento lama (4) può essere regolato per il taglio smussato verso destra o verso sinistra di 45°.

- ◆ Allentare la vite (10).
- ◆ Ruotare il piedino verso destra o verso sinistra nella posizione corrispondente a 45°.
- ◆ Serrare la vite.

Per riportare il piedino di scorrimento della lama (4) nella posizione per eseguire tagli a 90°:

- ◆ Allentare la vite (10).

- ◆ Ruotare il piedino verso il centro e spingerlo indietro nella posizione 0°.
- ◆ Serrare la vite.

Accensione e spegnimento (Fig. G)

- ◆ Per accendere l'elettrotensile, premere l'interruttore di accensione/spegnimento (1).
- ◆ La luce di lavoro a LED (7a) si accenderà.
- ◆ Per il funzionamento in modalità continua, premere l'interruttore di accensione/spegnimento (1), quindi premere il tasto di blocco dell'interruttore (2) che lo manterrà nella posizione di accensione.
- ◆ Per spegnere l'elettrotensile, rilasciare l'interruttore di accensione. Per spegnere l'utensile in modalità di funzionamento continuo, premere nuovamente l'interruttore di accensione/spegnimento e rilasciarlo.

Selettore di velocità variabile

Impostare la velocità del seghetto da traforo ruotando il selettore di velocità variabile (7) fino alla velocità appropriata. La rotazione del selettore verso il retro del seghetto consente di ridurre la velocità. Posizionare il selettore su "1" per impostare la velocità minima, su "3" per la velocità intermedia e su "7" per la velocità massima.

Come utilizzare la funzione Sightline (Fig. E)

- ◆ Usare una matita per segnare la traccia del taglio.
- ◆ Posizionare il seghetto sopra tale traccia (11).

Guardando direttamente da sopra al seghetto da traforo, è possibile seguire facilmente la linea del taglio.

Modalità di taglio

La corsa o azione pendolare consente un movimento più aggressivo della lama ed è concepita per il taglio di materiali teneri, come il legno o la plastica. Il taglio risulta più veloce, anche se meno uniforme. Il seghetto è dotato di un selettore corsa per l'azione pendolare che consente di regolare il movimento pendolare. L'uso del selettore è spiegato nei due capitoli successivi.

Nota: non utilizzare mai il movimento a pendolo per tagliare il metallo.

Selettore corsa per azione pendolare (Fig. F)

Il modello BES610 è dotato di quattro modalità di taglio con un numero crescente di corse in movimento pendolare.

- ◆ Posizione 0: per metallo, alluminio e lamiera (nessun movimento pendolare).
- ◆ Posizione 1: per laminati, legno duro, piani di lavoro.
- ◆ Posizione 2: per compensato e PVC/plastica.
- ◆ Posizione 3: per legno dolce e taglio rapido.

Per regolare l'intensità del movimento a pendolo:

- ◆ Ruotare il selettore della corsa a pendolo (6) sulla posizione desiderata.

Taglio

Tenere saldamente l'elettrotensile con entrambe le mani durante il taglio.

Il piedino di scorrimento della lama (4) deve poggiare saldamente contro il materiale da tagliare. Questo impedirà alla lama di saltare, riducendo la vibrazione e minimizzando le rotture della lama.

- ◆ Prima di iniziare a tagliare, lasciare girare liberamente la lama per alcuni secondi.
- ◆ Esercitare solo una leggera pressione sull'elettrotensile mentre si esegue il taglio.

Consigli per un utilizzo ottimale

Lama di ausilio per tagli dritti (disponibile solo con il modello BES610K)

Per ottenere un taglio dritto particolarmente preciso, servirsi della lama di ausilio per tagli dritti (8a).

Taglio di laminati

Durante il taglio di laminati è possibile che si scheggino i bordi, rovinando la superficie che rimarrà a vista. Le lame per segchetti più comuni tagliano durante la corsa verso l'alto, perciò se il piedino di scorrimento della lama poggia sulla superficie di presentazione, usare una lama che taglia durante la corsa verso il basso oppure

- ◆ usare una lama con denti sottili;
- ◆ tagliare il pezzo in lavorazione dalla parte posteriore;
- ◆ per ridurre al minimo la scheggiatura, fissare un pezzo di legno di scarto o di faesite su entrambi i lati del pezzo in lavorazione e tagliare attraverso questo "sandwich".

Taglio di metallo

Avvertenza! Non utilizzare un aspirapolvere quando si taglia il metallo, in quanto la limatura di metallo di può essere molto calda e provocare un incendio.

Tenere presente che la segatura del metallo richiede molto più tempo di quella del legno.

- ◆ Usare una lama da seghetto idonea per il taglio di metallo.
- ◆ Quando si taglia una lamiera sottile, fissare con un morsetto un pezzo di legno alla superficie posteriore del pezzo in lavorazione ed eseguire il taglio attraverso questo "sandwich".
- ◆ Spalmare un velo d'olio lungo la traccia del taglio.

Taglio a tuffo (Fig. H)

Il taglio a tuffo è un facile metodo per ottenere un intaglio interno. Il seghetto può essere inserito direttamente in un pannello o una tavola senza dover prima praticare un foro di guida o pilota. Durante il taglio a tuffo, misurare la superficie da tagliare e segnlarla chiaramente con una matita. In seguito inclinare il seghetto in avanti finché l'estremità anteriore del piedino di scorrimento della lama poggia saldamente sulla superficie di lavoro e la lama libera il pezzo da tagliare per la sua intera corsa.

Accendere l'apparato e attendere che raggiunga la velocità massima. Afferrare saldamente il seghetto e abbassare lentamente il bordo posteriore dell'utensile fino a raggiungere la sua massima profondità. Tenere il piedino di scorrimento della lama in piano contro il legno e iniziare a tagliare. Non togliere la lama dal taglio mentre è ancora in movimento. La lama deve arrestarsi completamente.

Accessori

Le prestazioni dell'elettrotensile dipendono dall'accessorio usato. Gli accessori BLACK+DECKER sono stati fabbricati in base a standard qualitativi elevati e sono stati progettati per ottenere le migliori prestazioni dall'elettrotensile. Utilizzando questi accessori si otterrà il meglio dall'elettrotensile.

Manutenzione

Questo elettrotensile BLACK+DECKER è stato progettato per funzionare a lungo con una manutenzione minima. Prestazioni sempre soddisfacenti dipendono da una cura appropriata e da una pulizia regolare.

Avvertenza! Prima di eseguire interventi di manutenzione sull'elettrotensile, scollegare l'alimentatore prima di pulirlo.

- ◆ Le prese di ventilazione dell'elettrotensile devono essere pulite regolarmente con un pennello morbido o un panno asciutto.
- ◆ Pulire regolarmente l'alloggiamento del motore con un panno umido. Non usare materiali abrasivi o detergenti a base di solventi.

Sostituzione della spina (solo Regno Unito e Irlanda)

Se dovesse essere necessario installare una nuova spina:

- ◆ smaltire in sicurezza quella vecchia;
- ◆ collegare il filo marrone al morsetto sotto tensione della nuova spina.
- ◆ collegare il filo blu al morsetto neutro.

Avvertenza! Non deve essere effettuato alcun collegamento al terminale di messa a terra. Seguire le istruzioni di montaggio fornite con le spine di buona qualità.

Fusibile raccomandato: 5 A.

Protezione dell'ambiente



Raccolta differenziata. I prodotti e le batterie contrassegnati con questo simbolo non devono essere smaltiti con i rifiuti domestici normali.

Prodotti e batterie contengono materiali che possono essere recuperati o riciclati, riducendo la richiesta di materie prime. Riciclare i prodotti elettrici e le batterie attenendosi alle disposizioni locali vigenti. Ulteriori informazioni sono disponibili all'indirizzo www.2helpU.com

Dati tecnici

		BES610
Tensione in ingresso	V _{AC}	230
Potenza assorbita	W	650
Velocità a vuoto	min ⁻¹	1000 - 3100
Profondità max. del taglio		
Legno	mm	90
Acciaio	mm	8
Alluminio	mm	15
Peso	kg	2,2

Livello di pressione sonora misurato in base a EN 62841:

Pressione sonora (L_{pa}) 87,7 dB(A), incertezza (K) 3 dB(A)
Potenza acustica (L_{wa}) 98,7 dB(A), incertezza (K) 3 dB(A)

Valori totali di emissione di vibrazioni (somma vettoriale triassiale) in conformità alla norma EN 62841:

Taglio di assi (a_{h,s}) 3,6 m/s², incertezza (K) 1,5 m/s²
Taglio di lamiera (a_{h,M}) 5,0 m/s², incertezza (K) 1,5 m/s²

Dichiarazione di conformità CE

DIRETTIVA MACCHINE



Seghetto da traforo BES610

Black & Decker dichiara che i prodotti descritti al paragrafo "Dati tecnici" sono conformi alle seguenti normative: 2006/42/EC, EN62841-1:2015, EN62841-2-11:2016. Questi prodotti sono conformi alla Direttiva 2014/30/UE e 2011/65/UE. Per ulteriori informazioni contattare Black & Decker al seguente indirizzo oppure consultare l'ultima di copertina del manuale.

Il firmatario è responsabile della compilazione del documento tecnico e rende questa dichiarazione per conto di Black & Decker.

Patrick Diepenbach

Patrick Diepenbach
Director General, Benelux
Black & Decker,
Egide Walschaertsstraat 14-18
2800 Mechelen, Belgique
31/07/2018

Garanzia

Black & Decker è certa della qualità dei propri prodotti e offre ai consumatori una garanzia di 24 mesi dalla data di acquisto. Il presente certificato di garanzia è complementare ai diritti legali e non li pregiudica in alcun modo. La garanzia è valida nei territori degli Stati membri dell'Unione Europea o dell'EFTA (Associazione europea di libero scambio).

Per attivare la garanzia, il reclamo deve essere effettuato in accordo con i Termini e Condizioni Black & Decker e sarà necessario presentare la prova di acquisto al venditore o all'agente di riparazione autorizzato.

I Termini e condizioni della garanzia Black & Decker di 2 anni e la sede del tecnico riparatore autorizzato più vicino sono consultabili su Internet all'indirizzo www.2helpU.com, o contattando il proprio ufficio Black & Decker di zona all'indirizzo indicato in questo manuale.

Visitare il nostro sito www.blackanddecker.it per registrare il prodotto Black & Decker appena acquistato e ricevere gli aggiornamenti su nuovi prodotti e offerte speciali.

NEDERLANDS

(Vertaling van de originele
instructies)

Bedoeld gebruik

De BLACK+ DECKER decoupeerzaag BES610 is ontworpen voor het zagen van hout, kunststof en plaatmetaal. Dit gereedschap is uitsluitend bedoeld voor consumentengebruik.

Veiligheidsinstructies

Algemene veiligheidswaarschuwingen voor elektrisch gereedschap



Waarschuwing! Lees alle veiligheidswaarschuwingen, instructies, illustraties en specificaties die bij dit gereedschap zijn meegeleverd. Wanneer de volgende waarschuwingen en voorschriften niet in acht worden genomen, kan dit een elektrische schok, brand of ernstig letsel tot gevolg hebben.

Bewaar alle waarschuwingen en instructies als referentiemateriaal. De hierna gebruikte term 'elektrisch gereedschap' in alle waarschuwingen die hieronder worden vermeld, heeft betrekking op elektrisch gereedschap voor gebruik op netspanning (met netsnoer) of met een accu (snoerloos).

1. Veilige werkomgeving

- a. **Houd uw werkomgeving schoon en goed verlicht.** Op rommelige of donkere plekken zullen sneller ongelukken gebeuren.

- b. **Werk niet met elektrisch gereedschap in een omgeving met explosiegevaar, zoals in de nabijheid van brandbare vloeistoffen, gassen of stof.** Elektrisch gereedschap veroorzaakt vonken die het stof of de dampen kunnen doen ontbranden.
- c. **Houd kinderen en omstanders tijdens het gebruik van elektrisch gereedschap op afstand.** Als u wordt afgeleid, kunt u de controle over het gereedschap verliezen.

2. Elektrische veiligheid

- a. **De netstekker van het elektrisch gereedschap moet in het stopcontact passen. Pas de stekker nooit op enige manier aan. Gebruik geen adapterstekkers in combinatie met geaard elektrisch gereedschap.** Niet-aangepaste stekkers en passende contactdozen verminderen het risico van een elektrische schok.
 - b. **Vermijd aanraking van het lichaam met gearde oppervlakken, bijvoorbeeld buizen, verwarmingen, fornuizen en koelkasten.** Er bestaat een verhoogd risico van een elektrische schok als uw lichaam contact heeft met aarde.
 - c. **Stel elektrisch gereedschap niet bloot aan regen en vocht.** Als er water in elektrisch gereedschap binnendringt, verhoogt dit het risico van een elektrische schok.
 - d. **Behandel het snoer voorzichtig. Gebruik het snoer nooit om het elektrisch gereedschap te dragen of naar u toe te trekken, of de stekker uit het stopcontact te halen. Houd het snoer uit de buurt van warmtebronnen, olie, scherpe randen, of bewegende onderdelen.** Beschadigde snoeren of snoeren die in de war zijn geraakt, verhogen het risico van een elektrische schok.
 - e. **Gebruik, wanneer u buitenshuis met elektrisch gereedschap werkt, alleen verlengsnoeren die zijn goedgekeurd voor gebruik buitenshuis.** Het gebruik van een verlengsnoer dat geschikt is voor binnen vermindert het risico van een elektrische schok.
 - f. **Als u met elektrisch gereedschap werkt op een vochtige locatie, gebruik dan een aardlekschakelaar (RCD).** Het gebruik van een aardlekschakelaar vermindert het risico van een elektrische schok.
- #### 3. Persoonlijke veiligheid
- a. **Blijf alert, let goed op wat u doet en ga met verstand te werk bij het gebruik van elektrisch gereedschap. Gebruik elektrisch gereedschap niet als u vermoeid bent of onder de invloed van drugs, alcohol of medicatie bent.** Een moment van onoplettendheid tijdens het werken met elektrisch gereedschap kan leiden tot ernstig persoonlijk letsel.
 - b. **Draag persoonlijke beschermende uitrusting. Draag altijd oogbescherming.**

- Beschermende uitrusting, zoals een stofmasker, antislip veiligheidsschoenen, een helm, of gehoorbescherming, gebruikt in de juiste omstandigheden, zal het risico op persoonlijk letsel verminderen.
- c. **Voorkom per ongeluk inschakelen. Controleer dat de schakelaar in de uit-stand staat voordat u het gereedschap aansluit op het stopcontact en/of de accu plaatst en voordat u het gereedschap optilt of gaat dragen.** Het dragen van elektrisch gereedschap met uw vinger op de schakelaar of het aanzetten van elektrisch gereedschap waarvan de schakelaar aan staat, kan leiden tot ongelukken.
 - d. **Verwijder instelgereedschap of schroefsleutels voordat u het elektrisch gereedschap inschakelt.** Een steeksleutel of een inbussleutel in een draaiend deel van het elektrisch gereedschap kan tot persoonlijk letsel leiden.
 - e. **Reik niet buiten uw macht. Blijf altijd stevig en in balans op de grond staan.** Dit geeft u betere controle over het elektrisch gereedschap in onverwachte situaties.
 - f. **Draag geschikte kleding. Draag geen loszittende kleding of sieraden. Houd uw haar, kleding en handschoenen uit de buurt van bewegende onderdelen.** Loszittende kleding, sieraden of lang haar kunnen door bewegende delen worden gegrepen.
 - g. **Als voorzieningen voor stofafzuiging of stofopvang kunnen worden gemonteerd, controleer dan dat deze zijn aangesloten en op de juiste wijze worden gebruikt.** Het gebruik van stofafzuiging kan aan stof gerelateerde gevaren verminderen.
 - h. **Denk niet dat, doordat u veel met gereedschap werkt, dat u het allemaal wel weet en dat u de veiligheidsbeginselen voor het werken met het gereedschap wel kunt negeren.** Een onvoorzichtige handeling kan ernstig letsel veroorzaken in een fractie van een seconde.
4. **Gebruik en onderhoud van elektrisch gereedschap**
 - a. **Overbelast het elektrisch gereedschap niet. Gebruik het juiste elektrische gereedschap voor uw toepassing.** Met het juiste elektrische gereedschap kunt u de werkzaamheden waarvoor het gereedschap is ontworpen, beter en veiliger uitvoeren.
 - b. **Gebruik het elektrisch gereedschap niet als de schakelaar niet goed werkt.** Ieder elektrisch gereedschap dat niet met de schakelaar kan worden bediend, is gevaarlijk en moet worden gerepareerd.
 - c. **Trek de stekker uit het stopcontact en/of de accu uit het elektrisch gereedschap voordat u het gereedschap instelt, accessoires wisselt of het elektrisch gereedschap opbergt.** Dergelijke preventieve veiligheidsmaatregelen verminderen het risico dat het elektrisch gereedschap per ongeluk wordt gestart.
 - d. **Bewaar elektrisch gereedschap dat niet wordt gebruikt, buiten bereik van kinderen. Laat niet personen die er niet vertrouwd mee zijn en deze aanwijzingen niet hebben gelezen met het gereedschap werken.** Elektrisch gereedschap is gevaarlijk in handen van ongetrainde gebruikers.
 - e. **Onderhoud elektrisch gereedschap en accessoires goed. Controleer dat bewegende delen van het elektrisch gereedschap wel goed functioneren en niet klemmen, en dat er niet onderdelen zodanig zijn gebroken of beschadigd dat de werking van het gereedschap nadelig wordt beïnvloed. Laat het gereedschap voor gebruik repareren als het beschadigd is.** Veel ongelukken worden veroorzaakt door slecht onderhouden elektrisch gereedschap.
 - f. **Houd zaag- en snijgereedschap scherp en schoon.** Goed onderhouden zaaggereedschap met scherpe snijvlakken loopt minder snel vast en is gemakkelijker onder controle te houden.
 - g. **Gebruik elektrisch gereedschap, accessoires, zaagjes en boortjes, enz., volgens deze aanwijzingen. Let daarbij op de arbeidsomstandigheden en de uit te voeren werkzaamheden.** Gebruik van het elektrisch gereedschap voor werkzaamheden die anders zijn dan bedoeld, kan leiden tot een gevaarlijke situatie.
 - h. **Houd de handgrepen en oppervlak die u vastpakt, droog, schoon en vrij van olie en vet.** Wanneer handgrepen en oppervlakken die u vastpakt, glad zijn, zijn veilig werken en goede controle over gereedschap in onverwachte situaties niet mogelijk.
 6. **Service**
 - a. **Laat het gereedschap alleen repareren door gekwalificeerd en vakkundig personeel en alleen met originele vervangingsonderdelen.** De veiligheid van het gereedschap blijft dan gewaarborgd.

Aanvullende veiligheidswaarschuwingen voor elektrisch gereedschap



Waarschuwing! Aanvullende veiligheidswaarschuwingen voor decoupeerzagen en reciprozagen

- ◆ **Houd elektrisch gereedschap vast aan geïsoleerde handgrepen, wanneer u een bedieningshandeling uitvoert waarbij het accessoire in contact kan komen met verborgen bedrading.**

Accessoires van elektrisch gereedschap die in contact komen met bedrading waar spanning op staat, kunnen metalen onderdelen van het gereedschap onder stroom zetten en de gebruiker een elektrische schok geven.

- ◆ **Zet met klemmen en op andere praktische manieren het werkstuk op een stabiele ondergrond vast.** Wanneer u het werkstuk vasthoudt met de hand of het tegen uw lichaam gedrukt houdt, is het instabiel en kunt u de controle verliezen.
- ◆ **Blijf met uw handen uit de buurt van het zaaggebied.** Reik nooit, om welke reden dan ook, met uw hand onder het werkstuk. Blijf met uw vingers en duim uit de buurt van het roterende zaagblad en de zaagbladklem. Houd niet de zaag in evenwicht door de zool vast te pakken.
- ◆ **Houd maaibladen scherp.** Botte of beschadigde zaagbladen kunnen maken dat de zaag gaat slingeren en onder druk vastloopt. Gebruik altijd het juiste type zaagblad voor het materiaal van het werkstuk en het type zaagsnede.
- ◆ **Wanneer u een buis of een stuk leiding zaagt, let er dan op dat er geen water, elektrische bedrading, enz. in zit.**
- ◆ **Raak het werkstuk of zaagblad niet aan direct na het werken met het gereedschap.** Zij kunnen zeer heet worden.
- ◆ **Houd rekening met verborgen gevaren, voordat u in wanden, vloeren of plafonds zaagt, voer een controle uit op de locatie van bedrading en leidingen.**
- ◆ **Wanneer u de schakelaar loslaat, komt het zaagblad niet onmiddellijk tot stilstand.** Schakel het gereedschap altijd uit, wacht tot het zaagblad tot stilstand is gekomen en leg het gereedschap dan pas neer.

Waarschuwing! Contact met of inademing van het stof dat bij het zagen vrijkomt, kan de gezondheid van de gebruiker en mogelijke omstanders in gevaar brengen. Draag een stofmasker dat speciaal is ontworpen voor bescherming tegen stof en dampen en zorg ervoor dat personen die op de werkplek zijn of deze betreden ook beschermd zijn.

- ◆ Het bedoelde gebruik wordt beschreven in deze installatiehandleiding.
- ◆ Het gebruik van andere accessoires of hulpstukken of uitvoering van andere handelingen dan in deze installatiehandleiding worden aanbevolen, kan een risico van persoonlijk letsel en/of materiële schade geven..

Veiligheid van anderen

- ◆ Dit gereedschap is niet bedoeld om te worden gebruikt door personen (waaronder kinderen) met beperkte fysieke, zintuiglijke of psychische vermogens, of gebrek aan eeuw ervaring en kennis, tenzij zij onder toezicht staan van of zijn geïnstrueerd over het gebruik van het apparaat door iemand die verantwoordelijk is voor hun veiligheid.

- ◆ Houd toezicht op kinderen zodat zij niet met het apparaat kunnen spelen.

Overige risico's

Er kunnen nog meer risicovolle situaties ontstaan bij het gebruik van het gereedschap die misschien niet worden vermeld in de bijgevoegde veiligheidswaarschuwingen. Deze risicovolle situaties kunnen zich voordoen door onoordeelkundig gebruik, langdurig gebruik, enz. Zelfs wanneer de relevante veiligheidsvoorschriften worden toegepast en veiligheidsvoorzieningen worden geïmplementeerd, kunnen bepaalde risico's niet worden vermeden. Dit zijn onder meer:

- ◆ Verwondingen die worden veroorzaakt door het aanraken van draaiende/bewegende onderdelen.
- ◆ Verwondingen die worden veroorzaakt bij het vervangen van onderdelen, zaagbladen of accessoires.
- ◆ Verwondingen die worden veroorzaakt door langdurig gebruik van gereedschap. Wanneer u gedurende langere periodes met gereedschap werkt, kunt u het beste regelmatig een pauze nemen.
- ◆ Gehoorbeschadiging.
- ◆ Gezondheidsrisico's die worden veroorzaakt door het inademen van stof dat ontstaat bij het werken met het gereedschap (bijvoorbeeld: - werken met hout, vooral eikenhout, beukenhout en MDF).

Trillingen

De aangegeven waarden voor trillingsemmissie in de technische gegevens en de conformiteitsverklaring, zijn gemeten volgens een standaardtestmethode die door EN62841 wordt verstrekt en door middel waarvan het ene gereedschap met het andere wordt vergeleken.

De aangegeven waarde voor trillingsemmissie kan ook worden gebruikt bij een voorlopige bepaling van blootstelling.

Waarschuwing! De waarde voor trillingsemmissie tijdens het werkelijke gebruik van het elektrisch gereedschap kan verschillen van de aangegeven waarde afhankelijk van de manieren waarop het gereedschap wordt gebruikt. Het trillingsniveau kan toenemen tot boven het aangegeven niveau.

Bij beoordeling van de blootstelling aan trillingen met het doel vast te stellen welke veiligheidsmaatregelen 2002/44/EG vereist ter bescherming van personen die tijdens hun werk regelmatig elektrisch gereedschap gebruiken, moet bij een inschatting van de blootstelling aan trillingen rekening worden gehouden met de werkelijke gebruiksomstandigheden en de manier waarop het gereedschap wordt gebruikt. Daarbij moet ook rekening worden gehouden met alle onderdelen van de bedrijfscyclus, zoals wanneer het gereedschap wordt uitgeschakeld en wanneer het gereedschap stationair loopt en ook de aanlooptijd.

Etiketten op het gereedschap

De volgende pictogrammen worden met de datumcode op het gereedschap weergegeven:



Waarschuwing! De gebruiker moet de instructiehandleiding lezen zodat het risico van letsel wordt beperkt.

Elektrische veiligheid



Dit gereedschap is dubbel geïsoleerd, daarom is een aardeaansluiting niet vereist. Controleer altijd dat de stroomvoorziening overeenkomt met de voltage op het typeplaatje.

- ◆ Als het netsnoer is beschadigd, moet het door de fabrikant of door een geautoriseerd BLACK+DECKER-servicecentrum worden vervangen, zodat gevaarlijke situaties worden voorkomen.

Functies

Dit gereedschap kan de volgende functies omvatten::

1. Aan/Uit-schakelaar
 2. Knop voor vergrendeling in de Aan-stand
 3. Vergrendelingshendel voor zaagblad
 4. Zoolplaat
 5. Stofafzuigpoort
 6. Keuzeknop voor pendelslag
 7. Keuzeknop variabele snelheid
- 7a. LED-werklicht

Montage

Waarschuwing! Controleer voor aanvang van de montage dat het apparaat is uitgeschakeld en de netstekker uit het stopcontact is getrokken.

Het zaagblad aanbrengen en verwijderen (fig. A)

- ◆ Houd het zaagblad (8) vast met de tanden van het zaagblad naar voren gericht, zoals wordt getoond.
- ◆ Druk de vergrendelingshendel (3) weg van de zoolplaat (4).
- ◆ Plaats de schacht van het zaagblad volledig in de zaagbladklem (9) en zo ver mogelijk.
- ◆ Laat de hendel los.
- ◆ Duw, als u het zaagblad (8) wilt verwijderen, de vergrendelingshendel (3) weg van de zoolplaat (4) en duw het zaagblad los.

Een stofzuiger op het gereedschap aansluiten (afb. B)

- ◆ Schuif het mondstuk van de slang van de stofzuiger in de stofafzuigopening (5).

Gebruik van het apparaat

Het instellen van de zoolplaat voor verstekzagen (afb. C, D)

Waarschuwing! Gebruik het gereedschap nooit als de zoolplaat los zit of is verwijderd.

De zoolplaat (4) kan worden ingesteld op een linker- of een rechterverstekhoek van 45°.

- ◆ Draai de schroef (10) los.
- ◆ Draai de zoolplaat naar links of naar rechts in de stand voor 45°.
- ◆ Draai de schroef aan.

Het terugzetten van de zoolplaat (4) voor zaagsneden onder 90°:

- ◆ Draai de schroef (10) los.
- ◆ Draai de zoolplaat naar het midden en druk de zool terug in de stand voor 0°.
- ◆ Draai de schroef aan.

In- en uitschakelen (afb. G)

- ◆ Schakel het gereedschap in door op de aan/uit-schakelaar (1) te drukken.
- ◆ Het LED-werklicht (7a) zal gaan branden.
- ◆ U kunt het apparaat ononderbroken laten werken door op de aan/uit-schakelaar (1) te drukken en vervolgens op de knop (2) voor vergrendeling in de Aan-stand.
- ◆ Schakel het gereedschap uit door de aan/uit-schakelaar los te laten. U kunt het gereedschap uitschakelen wanneer het in de Aan-stand is vergrendeld, door nogmaals op de aan/uit-schakelaar te drukken en de schakelaar los te laten.

Variabele snelheidsregeling

U kunt de snelheid van de zaag instellen door het wiel voor de variabele snelheidsregeling (7) naar de juiste snelheid te draaien. Wanneer u het wiel voor de variabele snelheidsregeling naar de achterzijde van de zaag draait, stelt u een lagere snelheid in. Stel de keuzeknop voor de snelheidsregeling op "1" voor de laagste snelheid, op "3" voor de middelste snelheid en op "7" voor de hoogste snelheid.

Zo gebruikt u de functie Sightline (afb. E)

- ◆ Zet de zaaglijn uit met een potlood.
 - ◆ Plaats de decoupeerzaag op de lijn (11).
- Vanaf de bovenzijde van de decoupeerzaag kunt u de zaaglijn gemakkelijk volgen.

Zaagstand

In de stand voor de pendelslag of pendelwerking laat het apparaat het zaagblad op een agressievere wijze werken en deze stand is bedoeld voor het zagen van zachtere materialen zoals hout of kunststof. Het zagen gaat sneller, maar de zaagsnede door het materiaal is minder glad.

Uw decoupeerzaag is voorzien van een keuzeknop voor Pendelslag voor het instellen van de pendelwerking. Het gebruik van deze keuzeknop wordt uitgelegd in het volgende twee hoofdstukken.

Opmerking: Gebruik de pendelslag nooit voor het zagen van metaal.

Keuzeknop voor pendelslag (afb. F)

De BES610 heeft vier zaagstanden met toenemende werking van de pendelslag:

- ◆ Stand 0: metaal, aluminium en bladmetaal (geen pendelwerking).
- ◆ Stand 1: voor laminaat, hardhout, werkbladen.
- ◆ Stand 2: voor multiplex en pvc/kunststoffen.
- ◆ Stand 3: zachthout en snel zagen.

Het afstellen van de pendelslag:

- ◆ Draai de keuzeknop voor de pendelslag (6) naar de gewenste stand.

Zagen

Houd het gereedschap stevig met beide handen vast tijdens het zagen. De zoolplaat (4) moet stevig tegen het te zagen materiaal worden gehouden. Dit helpt te voorkomen dat de zaag wegspringt, vermindert trilling en beperkt breuk van het zaagblad tot een minimum.

- ◆ Laat het blad een paar seconden vrij bewegen voordat u begint te zagen.
- ◆ Voer slechts geringe druk op het gereedschap uit tijdens het zagen.

Tips voor optimaal gebruik

Straight assist-zaagblad (alleen verkrijgbaar bij het model BES610K)

Gebruik, wanneer u recht moet zagen met extra precisie, het Straight Assist-zaagblad (8a).

Gelaagde materialen zagen

Wanneer u laminaat zaagt, kan splintervorming optreden waardoor de bovenkant beschadigd kan raken. De meeste zaagbladen zagen bij de opwaartse slag, gebruik daarom, als de zoolplaat op de bovenzijde van het materiaal rust, een zaagblad dat zaagt bij de neerwaartse slag of:

- ◆ Gebruik een fijntandig zaagblad.
- ◆ Zaag vanaf de achterzijde van het werkstuk.
- ◆ U kunt splintervorming tot een minimum beperken door een stuk afvalhout of hardboard aan beide zijden van het werkstuk te klemmen en door deze 'sandwich' van materialen heen te zagen.

Metaal zagen

Waarschuwing! Gebruik geen stofafzuiging wanneer u metaal zaagt. Metaalsplinters zijn heet en kunnen brand veroorzaken.

Houd er rekening mee dat het zagen van metaal veel meer tijd kost dan het zagen van hout.

- ◆ Gebruik een zaagblad dat geschikt is voor het zagen van metaal.
- ◆ Klem wanneer u een dun stuk plaatmateriaal zaagt, een stuk afvalhout tegen de achterzijde van het werkstuk en zaag door deze beide materialen heen.
- ◆ Breng een oliefilm aan langs de gewenste zaaglijn.

Invalzagen (afb. H)

Invalzagen is een gemakkelijke manier om een zaagsnede midden in het werkstuk te maken.

U kunt de zaag direct in een plaat of een plank steken zonder dat u eerst een gat hoeft te boren. Meet bij invalzagen het te zagen oppervlak uit en zet het duidelijk uit met een potlood. Kantel vervolgens de zaag naar voren tot de voorzijde van de zool stevig op het werkopervlak rust en het zaagblad het werk met een volledige slag kan uitvoeren. Schakel het gereedschap in en laat het op volle snelheid komen. Pak de zaag stevig vast en breng de achterzijde van het gereedschap langzaam naar beneden tot het zaagblad zijn volledige diepte bereikt. Houd de zool vlak tegen het hout en begin te zagen. Haal het zaagblad niet uit de zaagsnede zolang het in beweging is. Het zaagblad moet volledig tot stilstand komen.

Accessoires

De prestaties van het gereedschap zijn afhankelijk van de gebruikte accessoires. Accessoires van BLACK+DECKER zijn ontworpen om aan hoge kwaliteitsnormen te voldoen en de prestaties van uw gereedschap te verhogen. Door deze accessoires te gebruiken kunt u uw gereedschap nog beter laten presteren.

Onderhoud

Uw BLACK+DECKER-gereedschap is ontworpen om gedurende langere periode te functioneren met een minimum aan onderhoud. Het continu naar tevredenheid functioneren hangt af van de juiste zorg voor het gereedschap en regelmatig schoonmaken.

Waarschuwing! Trek, voordat u onderhoud aan het gereedschap uitvoert, de stekker uit het stopcontact en voer dan pas schoonmaakwerkzaamheden uit.

- ◆ Maak de ventilatieopeningen van uw gereedschap regelmatig schoon met een zachte borstel of een droge doek.
- ◆ Reinig de behuizing van de motor regelmatig met een vochtige doek. Gebruik niet een schurend schoonmaakmiddel of een schoonmaakmiddel op basis van een oplosmiddel.

Netstekker vervangen (alleen VK en Ierland)

Als er een nieuwe netstekker moet worden gemonteerd:

- ◆ Gooi de oude stekker op verantwoorde wijze weg.
- ◆ Sluit de bruine draad aan op de spanningvoerende pool in de nieuwe stekker.
- ◆ Sluit de blauwe draad op de niet-spanningvoerende pool.

Waarschuwing! Er moet geen verbinding tot stand worden gebracht met de aardeaansluiting.

Volg de montage-instructies die bij stekkers van goede kwaliteit worden geleverd.

Aanbevolen zekering: 5 A.

Het milieu beschermen



Gescheiden afvalinzameling. Producten en accu's waarop dit symbool is aangebracht, mogen niet bij het normale huishoudafval worden weggegooid.

Producten en accu's bevatten materialen die kunnen worden teruggewonnen of gerecycled en dat doet de vraag naar grondstoffen afnemen.

Recycle elektrische producten en accu's volgens de ter plaatse geldende bepalingen. Nadere informatie is beschikbaar op www.2helpU.com

Technische gegevens

		BES610
Ingangsspanning	V_{AC}	230
Vermogen	W	650
Snelheid onbelast	min^{-1}	1000 - 3100
Max. zaagdiepte		
Hout	mm	90
Staal	mm	8
Aluminium	mm	15
Gewicht	kg	2,2

Geluidsdrukniveau, volgens EN 62841:

Geluidsdruk (L_{pA}) 87,7 dB(A), meetonzekerheid (K) 3 dB(A)
 Geluidsvermogen (L_{WA}) 98,7 dB(A), meetonzekerheid (K) 3 dB(A)

Totale trillingswaarden (som triaxvector) volgens EN 62841:

Planken zagen ($a_{h,b}$) 3,6 m/s^2 , onzekerheid (K) 1,5 m/s^2
 Plaatmetaal zagen ($a_{h,w}$) 5,0 m/s^2 , onzekerheid (K) 1,5 m/s^2

EG conformiteitsverklaring

RICHTLIJN VOOR MACHINES



BES610 decoupeerzaag

Black & Decker verklaart hierbij dat de producten die worden beschreven onder "technische gegevens", voldoen aan: 2006/42/EC, EN62841-1:2015, EN62841-2-11:2016.

Deze producten voldoen tevens aan richtlijn 2014/30/EU en 2011/65/EU. Neem voor meer informatie contact op met Black & Decker op het volgende adres of raadpleeg de achterzijde van de handleiding.

Ondergetekende is verantwoordelijk voor de samenstelling van het technische bestand en legt deze verklaring af namens Black & Decker.

Patrick Diepenbach

Patrick Diepenbach
 Director General, Benelux
 Black & Decker,
 Egide Walschaertsstraat 14-18
 2800 Mechelen, België
 31-7-2018

Garantie

Black & Decker heeft vertrouwen in zijn producten en biedt consumenten een garantie van 24 maanden vanaf de aankoopdatum. Deze garantie vormt een aanvulling op uw wettelijke rechten en beperken deze niet. De garantie is geldig op het grondgebied van de Lidstaten van de Europese Unie en de Europese Vrijhandelszone.

Voor een garantie-aanspraak moet uw aanspraak in overeenstemming zijn met de Voorwaarden en Condities van Black & Decker en moet u een bewijs van aankoop overleggen aan de verkoper of aan een geautoriseerde reparatiemonteur.

Voorwaarden en condities van de 2-jarige garantie van Black & Decker en het adres van de vestiging van het geautoriseerde reparatiecentrum bij u in de buurt, kunt u vinden op internet op www.2helpU.com, of door contact op te nemen met het Black & Decker-kantoor ter plaatse, op het adres dat in deze handleiding wordt vermeld.

Bezoek onze website www.blackanddecker.nl, waar u uw nieuwe Black & Decker-product kunt registreren en het laatste nieuws vindt over nieuwe producten en speciale aanbiedingen.

Uso previsto

La sierra de calar de BLACK+ DECKER BES610 ha sido diseñada para serrar madera, plástico y planchas de metal. Esta herramienta está prevista para uso doméstico.

Instrucciones de seguridad

Advertencias de seguridad generales para herramientas eléctricas



¡Advertencia! Lea todas las advertencias de seguridad, instrucciones, ilustraciones y especificaciones suministradas con esta herramienta eléctrica. En caso de no atenerse a las siguientes advertencias e instrucciones de seguridad, podría producirse una descarga eléctrica, incendio o lesión grave.

Guarde todas las advertencias e instrucciones para futuras consultas. El término "herramienta eléctrica" empleado en las advertencias a continuación hace referencia a la herramienta eléctrica con alimentación de red (con cable) o alimentada por batería (sin cable).

1. Seguridad del área de trabajo

- a. **Mantenga limpia y bien iluminada el área de trabajo.** Las áreas en desorden u oscuras pueden provocar accidentes.
- b. **No utilice herramientas eléctricas en entornos con peligro de explosión, como aquellos en los que haya líquidos, gases o polvos inflamables.** Las herramientas eléctricas originan chispas que pueden inflamar el polvo o los gases.
- c. **Mantenga alejados del área de trabajo a los niños y a otras personas cuando emplee la herramienta eléctrica.** Las distracciones pueden hacer que pierda el control de la herramienta.

2. Seguridad eléctrica

- a. **El enchufe de la herramienta eléctrica debe corresponder a la toma de corriente. No modifique nunca el enchufe de ninguna forma. No utilice ningún enchufe adaptador con las herramientas eléctricas conectadas a tierra (puesta a masa).** Los enchufes no modificados y las tomas de corriente compatibles reducen el riesgo de descarga eléctrica.
- b. **Evite que su cuerpo toque partes conectadas o puestas a tierra tales como tuberías, radiadores, cocinas y refrigeradores.** Existe un mayor riesgo de descarga eléctrica si su propio cuerpo está conectado a tierra.
- c. **No exponga las herramientas eléctricas a la lluvia y a la humedad.**

La entrada de agua en una herramienta eléctrica aumenta el riesgo de descarga eléctrica.

- d. **Cuide el cable de alimentación. No use nunca el cable para transportar, tirar de la herramienta eléctrica o desenchufarla. Mantenga el cable alejado del calor, aceite, bordes afilados y piezas en movimiento.** Los cables dañados o enredados aumentan el riesgo de descarga eléctrica.
- e. **Al trabajar con la herramienta eléctrica en la intemperie utilice solamente cables de prolongación homologados para su uso en exteriores.** La utilización de un cable adecuado para el uso en exteriores reduce el riesgo de descarga eléctrica.
- f. **Si la utilización de una herramienta eléctrica en un lugar húmedo es inevitable, utilice una fuente protegida con un dispositivo de corriente residual (DCR).** El uso de un DCR reduce el riesgo de descarga eléctrica.

3. Seguridad personal

- a. **Esté atento a lo que hace y emplee la herramienta eléctrica con prudencia.** **No maneje una herramienta eléctrica cuando esté cansado o bajo los efectos de drogas, medicamentos o alcohol.** Un momento de falta de atención cuando se manejan las herramientas eléctricas puede ocasionar lesiones personales graves.
- b. **Utilice un equipo de protección personal. Utilice siempre protección ocular.** El uso del equipo protector como mascarillas antipolvo, calzado antideslizante, casco o protección auditiva para condiciones apropiadas reducirá las lesiones personales.
- c. **Impida que la herramienta se ponga en marcha accidentalmente. Asegúrese de que el interruptor se encuentre en la posición de apagado antes de conectar la herramienta a la fuente de alimentación o a la batería, o de coger o transportar la herramienta.** Transportar herramientas eléctricas con el dedo puesto en el interruptor o herramientas eléctricas activadoras que tengan el interruptor encendido puede provocar accidentes.
- d. **Retire las herramientas de ajuste o llaves fijas antes de encender la herramienta eléctrica.** Dejar una llave inglesa u otra llave puesta en una pieza en movimiento de la herramienta eléctrica puede ocasionar lesiones personales.
- e. **Sea precavido. Mantenga un equilibrio adecuado y la estabilidad constantemente.** Esto permite un mejor control de la herramienta eléctrica en situaciones inesperadas.
- f. **Lleve puesta una vestimenta de trabajo adecuada. No se ponga ropa suelta o joyas.**

Mantenga el cabello, la ropa y los guantes alejados de las piezas en movimiento. La ropa suelta, las joyas y el pelo largo pueden quedar atrapados en las piezas en movimiento.

- g. Siempre que sea posible utilizar unos equipos de aspiración o captación de polvo, asegúrese de que estén montados y de se utilicen correctamente.** El uso de equipo de recogida de polvo puede reducir los riesgos relacionados con el polvo.
- h. No permita que la familiaridad adquirida por el uso frecuente de las herramientas le haga confiarse demasiado e ignorar los principios de seguridad de la herramienta.** Un descuido puede causar lesiones graves en una fracción de segundo.

4. Uso y cuidado de herramientas eléctricas

- a. No sobrecargue la herramienta eléctrica. Use la herramienta eléctrica correcta para su trabajo.** La herramienta eléctrica correcta funcionará mejor y con mayor seguridad si se utiliza de acuerdo con sus características técnicas.
- b. No utilice la herramienta eléctrica si no se puede encender y apagar con el interruptor.** Toda herramienta eléctrica que no pueda controlarse con el interruptor es peligrosa y debe ser reparada.
- c. Desconecte el enchufe de la herramienta eléctrica de la fuente de alimentación y/o la batería antes de realizar cualquier ajuste, cambiar accesorios o guardar la herramienta.** Dichas medidas de seguridad preventivas reducen el riesgo de poner en marcha accidentalmente la herramienta eléctrica.
- d. Guarde las herramientas eléctricas fuera del alcance de los niños y no permita que la utilicen las personas no familiarizadas con su uso o con estas instrucciones.** Las herramientas eléctricas son peligrosas en manos de personas no capacitadas.
- e. Realice el mantenimiento de sus herramientas eléctricas y accesorios. Compruebe que las piezas móviles no estén desalineadas ni atascadas, que no haya piezas rotas y cualquier otra condición que pudiera afectar al funcionamiento de la herramienta eléctrica. Si la herramienta eléctrica está dañada, llévela para que sea reparada antes de utilizarla.** Se ocasionan muchos accidentes por el mal mantenimiento de las herramientas eléctricas.
- f. Mantenga las herramientas de corte limpias y afiladas.** Hay menos probabilidad de que las herramientas de cortar con bordes afilados se bloqueen, y son más fáciles de controlar.
- g. Utilice la herramienta eléctrica, los accesorios, los útiles de la herramienta, etc. de acuerdo con estas instrucciones, y tenga en cuenta las condiciones de trabajo y la tarea que va a realizar.**

El uso de la herramienta eléctrica para operaciones que no sean las previstas puede ocasionar una situación peligrosa.

- h. Mantenga las asas y las superficies de agarre secas, limpias y libres de aceite y grasa.** Las asas y las superficies de agarre resbaladizas no permiten un manejo y control seguro de la en situaciones inesperadas.

6. Reparaciones

- a. Haga reparar esta herramienta eléctrica solo por personal técnico autorizado que emplee exclusivamente piezas de repuesto originales.** Así se asegurará que se mantenga la seguridad de la herramienta eléctrica.

Advertencias de seguridad adicionales para herramientas eléctricas



¡Advertencia! Advertencias de seguridad adicionales para las sierras de calar y sierras con movimiento alternativo

- ◆ **Aferre la herramienta por las superficies de agarre aisladas cuando realice una operación de corte en la que el accesorio de corte pueda entrar en contacto con un cable oculto.** El contacto de los accesorios de corte con un cable cargado, puede cargar las partes metálicas expuestas de la herramienta eléctrica y producir una descarga eléctrica al operador.
- ◆ **Utilice fijaciones o cualquier otro método práctico para fijar y apoyar la pieza de trabajo en una plataforma estable.** Si sostiene la pieza de trabajo con las manos o con su cuerpo, esta estará inestable y podrá hacer que usted pierda el control.
- ◆ **Mantenga las manos alejadas de la zona de corte.** No ponga nunca la mano debajo de la pieza de trabajo. No introduzca los dedos en los alrededores de la cuchilla de movimiento alternativo y la fijación de la hoja. No establezca la sierra agarrando la zapata.
- ◆ **Mantenga las hojas afiladas.** Las hojas desgastadas o dañadas pueden causar que la sierra vire o se detenga bajo la presión. Utilice siempre el tipo adecuado de hoja de sierra para el material de la pieza de trabajo y el tipo de corte.
- ◆ **Cuando corte tuberías o conductos, asegúrese de que no contengan agua, cables eléctricos, etc.**
- ◆ **No toque la pieza de trabajo ni la hoja justo después de utilizar la herramienta.** Pueden alcanzar temperaturas muy elevadas.
- ◆ **Preste atención a los riesgos ocultos y, antes de cortar paredes, suelos o techos, compruebe la ubicación de los cables y conductos.**

- ◆ **La hoja seguirá moviéndose después de soltar el interruptor.** Apague siempre la herramienta y espere a que la hoja de la sierra se detenga por completo antes de posar la herramienta.

Advertencia. El contacto o la inhalación del polvo procedente de las aplicaciones de corte de la sierra pueden poner en peligro la salud del usuario y de cualquier otra persona que se encuentre a su alrededor. Póngase una máscara antipolvo especialmente diseñada para la protección contra el polvo y los humos y asegúrese que las personas que estén o entren en la zona de trabajo también estén protegidas.

- ◆ En este manual de instrucciones se describe el uso previsto.
- ◆ La utilización de accesorios o acoplamientos o la realización de operaciones con esta herramienta distintas de las recomendadas en este manual de instrucciones puede presentar riesgo de lesiones personales y/o daños materiales.

Seguridad de otras personas

- ◆ Este aparato no ha sido concebido para ser utilizado por personas (incluidos niños) con capacidades físicas, sensoriales o mentales reducidas o que carezcan de experiencia y conocimientos, salvo que estén supervisadas o hayan recibido formación sobre el uso del aparato por parte de una persona responsable de su seguridad.
- ◆ Los niños deben vigilarse en todo momento para asegurarse de que no juegan con el aparato.

Riesgos residuales

Puede haber riesgos residuales al usar la herramienta, que no pueden incluirse en las advertencias de seguridad adjuntas. Tales riesgos se pueden derivarse del uso incorrecto, demasiado prolongado, etc. Aunque se apliquen las normas de seguridad y se implementen las medidas de seguridad correspondientes, no se pueden evitar ciertos riesgos residuales. Dichos riesgos incluyen:

- ◆ Lesiones producidas por el contacto con piezas móviles o giratorias.
- ◆ Lesiones causadas al cambiar piezas, hojas o accesorios.
- ◆ Lesiones causadas por el uso prolongado de una herramienta. Cuando utilice una herramienta durante periodos de tiempo demasiado prolongados, asegúrese de realizar pausas con frecuencia.
- ◆ Deterioro auditivo.
- ◆ Peligros sanitarios provocados por la respiración de polvo creado al usar la herramienta (por ejemplo, al trabajar con madera, especialmente roble, haya y tablero semiduro de fibras).

Vibración

Los valores de emisión de vibraciones declarados en el apartado de características técnicas y en la declaración de conformidad se han calculado según un método de prueba estándar proporcionado por la norma EN62841 y pueden utilizarse para comparar una herramienta con otra. El valor de emisión de vibraciones especificado también puede utilizarse en una evaluación preliminar de la exposición.

Advertencia. El valor de emisión de vibraciones durante el funcionamiento real de la herramienta eléctrica puede diferir del valor declarado en función de cómo se utilice dicha herramienta. El nivel de las vibraciones puede aumentar por encima del nivel declarado.

Al evaluar la exposición a las vibraciones con el fin de determinar las medidas de seguridad que exige la directiva 2002/44/CE para proteger a las personas que utilizan periódicamente herramientas eléctricas en el entorno laboral, deberá tenerse en cuenta una estimación de la exposición a las vibraciones, las condiciones de uso reales y el modo de empleo de la herramienta, así como los pasos del ciclo operativo como, por ejemplo, el número de veces que la herramienta se apaga, el tiempo que está parada y el tiempo de activación.

Etiquetas en la herramienta

Los siguientes pictogramas están colocados, junto al código, en la herramienta:



Advertencia. Para reducir el riesgo de lesiones, el usuario debe leer el manual de instrucciones.

Seguridad eléctrica



Esta herramienta lleva un doble aislamiento; por lo tanto, no requiere una toma de tierra. Compruebe siempre que el voltaje suministrado corresponda al indicado en la placa de características.

- ◆ Si el cable de alimentación se daña, deberá ser sustituido por el fabricante o un centro de servicio técnico autorizado de BLACK+DECKER para evitar riesgos.

Características

Esta herramienta incluye una o más de las siguientes características:

1. Interruptor de encendido/apagado
2. Botón de bloqueo
3. Palanca de bloqueo de la hoja de sierra
4. Base
5. Salida de extracción de polvo
6. Perilla de carrera a péndulo

- 7. Perilla de control de velocidad
- 7a. Luz de trabajo LED

Montaje

Advertencia. Antes del montaje, compruebe que la herramienta esté apagada y desenchufada.

Colocación y extracción de la hoja de sierra (Fig. A)

- ◆ Sujete la hoja de la sierra (8) con los dientes orientados hacia delante como se muestra.
- ◆ Presione la palanca de bloqueo (3) hacia fuera de la base (4).
- ◆ Introduzca todo el vástago de la hoja en el enganche de la hoja (9) hasta el fondo.
- ◆ Suelte la palanca.
- ◆ Para sacar la hoja de la sierra (8), aparte la palanca de bloqueo (3) de la placa de la zapata (4) y saque la hoja.

Conexión de una aspiradora a la herramienta (Fig. B)

- ◆ Deslice la boquilla de la aspiradora en la salida de aspiración de polvo (5).

Uso

Ajuste de la base para cortes biselados (Fig. C, D)

Advertencia. Nunca utilice la herramienta si la base está floja o no está puesta. Es posible ajustar la base (4) en un ángulo de bisel izquierdo o derecho de 45°.

- ◆ Afloje el tornillo (10).
- ◆ Gire la base a la izquierda o a la derecha hasta la posición de 45°.
- ◆ Apriete el tornillo.

Para reajustar la base (4) para cortes en 90°:

- ◆ Afloje el tornillo (10).
- ◆ Gire hacia el centro y vuelva a empujar a la posición 0°.
- ◆ Apriete el tornillo.

Encendido y apagado (Fig. G)

- ◆ Para encender la herramienta, pulse el interruptor de encendido/apagado (1).
- ◆ Se activará la luz de trabajo de LED (7a).
- ◆ Para el funcionamiento continuo, pulse el interruptor de encendido/apagado (1) y después pulse el botón de bloqueo (2).
- ◆ Para apagar la herramienta, suelte el botón de encendido/apagado. Para apagar la herramienta cuando está en funcionamiento continuo, vuelva a apretar el interruptor de encendido/apagado y suéltelo.

Control de la velocidad variable

Ajuste la velocidad de la sierra de vaivén girando la perilla de control de velocidad variable (7) a la velocidad adecuada.

Girando la perilla de control de velocidad variable hacia la parte trasera de la sierra de vaivén se obtiene una velocidad más lenta. Coloque la perilla de control de velocidad en "1" para la velocidad más lenta, en "3" para la velocidad media y en "7" para la más alta velocidad.

Cómo utilizar la función de línea de vista (Fig. E)

- ◆ Utilice un lápiz para marcar la línea de corte.
 - ◆ Coloque la sierra de calar encima de la línea (11).
- Si mira directamente por encima de la sierra, la línea de corte se puede seguir fácilmente.

Modo de corte

La carrera o acción a péndulo proporciona un movimiento más agresivo de la hoja y ha sido diseñada para cortar materiales blandos como madera o plástico. Proporciona un corte más rápido, pero realiza un corte menos uniforme en el material. Su sierra de vaivén tiene una perilla de carrera de péndulo para ajustar la acción del péndulo. El uso de esta perilla se explica en las dos secciones siguientes.

Nota: No utilice nunca la acción basculante para cortar metal.

Perilla de carrera de péndulo (Fig. F)

El BES610 dispone de cuatro modos de corte con un aumento de intensidad de la acción del péndulo:

- ◆ Posición 0: metal y aluminio y planchas de metal (sin acción de péndulo).
- ◆ Posición 1: para materiales laminados, maderas duras y superficies de trabajo.
- ◆ Posición 2: para madera contrachapada y PVC/plásticos.
- ◆ Posición 3: para madera suave y corte rápido.

Para ajustar la acción del péndulo:

- ◆ Gire la perilla de carrera de péndulo (6) hacia la posición que necesite.

Serrado

Sostenga firmemente la herramienta con las dos manos durante el corte.

Debe sostenerse firmemente la base (4) contra el material que vaya a cortar. Esto ayuda a evitar que la sierra salte, reduce la vibración y minimiza la rotura de la hoja.

- ◆ Deje que la hoja gire libremente durante unos segundos antes de empezar el corte.
- ◆ Aplique solamente un poco de presión a la herramienta mientras realiza el corte.

Consejos para un uso óptimo

Hoja de ayuda para corte recto (disponible solo con el modelo BES610K)

Cuando necesite realizar un corte recto con la máxima precisión, utilice la hoja de ayuda para corte recto (8a).

Serrado de material laminado

Cuando corte laminados, es posible que estos se astillen y se dañe la superficie de presentación. Las hojas de sierra más comunes cortan con carrera ascendente, por lo tanto, si la placa está asentada en la superficie de presentación, utilice una hoja de sierra que corte con carrera descendente o:

- ◆ Utilice una hoja de sierra con dientes finos.
- ◆ Corte desde la superficie trasera de la pieza de trabajo.
- ◆ Para minimizar el astillamiento, sujete una pieza de madera de desecho o tablero duro a ambos lados de la pieza de trabajo y corte todo el conjunto.

Serrado de metal

Advertencia. Cuando corte metal, no utilice aspiradora. Las virutas metálicas están calientes y pueden causar un incendio.

Tenga en cuenta que serrar metal lleva mucho más tiempo que serrar madera.

- ◆ Utilice una hoja apropiada para serrar metal.
- ◆ Para cortar chapas de metal finas, sujete una placa de madera de desecho en la parte de atrás de la pieza de trabajo y corte el conjunto.
- ◆ Extienda una película de aceite a lo largo de la línea que vaya a cortar.

Corte de penetración (Fig. H)

Un corte de penetración es un método sencillo de realizar un corte interior. La sierra puede introducirse directamente en un panel o tablero, sin crear previamente un orificio o ranura piloto. Para el corte de penetración, mida la superficie que vaya a cortar y márquela claramente con un lápiz. Después incline hacia adelante la sierra hasta que la parte delantera de la base quede bien apoyada sobre la superficie de trabajo y la hoja pueda hacer su trabajo con carrera completa. Encienda la herramienta y deje que alcance la máxima velocidad.

Sujete bien la sierra y baje el borde posterior de la herramienta lentamente hasta que la hoja alcance su profundidad completa. Sostenga la base plana contra la madera y empiece a cortar. No saque la hoja del corte mientras esta esté en movimiento. La hoja debe detenerse completamente.

Accesorios

El funcionamiento de la herramienta dependerá del accesorio que se utilice. Los accesorios de BLACK+DECKER se han fabricado siguiendo estándares de alta calidad y se han diseñado para mejorar el funcionamiento de la herramienta. Con estos accesorios, sacará el máximo provecho a su herramienta.

Mantenimiento

Su herramienta BLACK+DECKER ha sido diseñada para funcionar durante un largo período de tiempo con un mantenimiento mínimo.

El funcionamiento satisfactorio y continuo depende del buen cuidado de la herramienta y de una limpieza frecuente.

Advertencia. Antes de realizar el mantenimiento a la herramienta, desenchúfela.

- ◆ Limpie periódicamente las ranuras de ventilación de la herramienta con un cepillo suave o un paño seco.
- ◆ Limpie periódicamente la carcasa del motor con un paño húmedo. No utilice limpiadores abrasivos o a base de disolventes.

Sustitución del enchufe de alimentación principal (solo Irlanda y Reino Unido)

Si debe colocar un nuevo enchufe de red:

- ◆ Deseche el enchufe viejo según las normas de seguridad.
- ◆ Conecte el cable marrón al terminal conductor del nuevo enchufe.
- ◆ Conecte el cable azul al terminal neutro.

Advertencia. No deberá realizar ninguna conexión al terminal de tierra. Siga las instrucciones de colocación suministradas con los enchufes de buena calidad. Fusible recomendado: 5 A.

Protección del medio ambiente



Recogida selectiva. Los productos y las baterías marcadas con este símbolo no se deben eliminar con los residuos domésticos normales.

Los productos y las baterías que contienen materiales que se puedan recuperar o reciclar reducen la demanda de materias primas. Recicle los productos eléctricos y las baterías de conformidad con la normativa local. Puede obtener más información en www.2helpU.com

Datos técnicos

		BES610
Voltaje de entrada	V _{CA}	230
Potencia de entrada	W	650
Velocidad en vacío	min ⁻¹	1000 - 3100
Profundidad máxima de corte		
Madera	mm	90
Acero	mm	8
Aluminio	mm	15
Peso	kg	2.2

Nivel de presión acústica según EN 62841:

Presión acústica (L_{PA}) 87.7 dB(A), incertidumbre (K) 3 dB(A)
Potencia acústica (L_{WA}) 98.7 dB(A), incertidumbre (K) 3 dB(A)

Valores totales de vibración (suma vectorial triaxial) de acuerdo con la directiva EN 62841:

Corte de tableros ($a_{h,v}$) 3,6 m/s², incertidumbre (K) 1,5 m/s²

Corte de planchas de metal ($a_{h,w}$) 5,0 m/s², incertidumbre (K) 1,5 m/s²

Declaración de conformidad CE

DIRECTIVA DE MÁQUINAS



Sierra de calar BES610

Black & Decker declara que los productos descritos en «datos técnicos» cumplen las siguientes normas:

2006/42/CE, EN62841-1:2015, EN62841-2-11:2016.

Estos productos también cumplen las Directivas 2014/30/UE y 2011/65/UE. Para más información, póngase en contacto con Black & Decker en la siguiente dirección o consulte la parte posterior del manual.

El que suscribe es responsable de la compilación del archivo técnico y realiza esta declaración en nombre de Black & Decker.

Patrick Diepenbach

Patrick Diepenbach
 Director General, Benelux
 Black & Decker,
 Egide Walschaertsstraat 14-18
 2800 Mechelen, Bélgica
 31/07/2018

Garantía

Black & Decker confía en la calidad de sus productos y ofrece a los consumidores una garantía de 24 meses a partir de la fecha de compra. Esta garantía es adicional a sus derechos legales y no los menoscaba en modo alguno. La garantía es válida dentro de los territorios de los Estados Miembros de la Unión Europea y del Área de Libre Comercio Europea. Para reclamar la garantía, la reclamación se debe presentar de conformidad con las condiciones de Black & Decker. Tendrá que adjuntar un justificante de compra al vendedor o al agente técnico autorizado.

Las condiciones de la garantía de 2 años de Black & Decker y la ubicación de su agente técnico autorizado más cercano se pueden obtener en Internet en www.2helpU.com o poniéndose en contacto con su oficina local de Black & Decker en la dirección que se indica en este manual. Visite nuestro sitio web www.blackanddecker.co.uk para registrar su nuevo producto Black & Decker y recibir noticias sobre nuevos productos y ofertas especiales.

Utilização pretendida

A serra eléctrica BLACK+DECKER BES610 foi concebida para serrar madeira, plástico e chapas metálicas. Esta ferramenta destina-se apenas a utilização doméstica.

Instruções de segurança

Avisos de segurança gerais para ferramentas eléctricas



Atenção! Leia todos os avisos de segurança, instruções, ilustrações e especificações fornecidas com esta ferramenta eléctrica. O não cumprimento dos seguintes avisos e instruções pode resultar em choque eléctrico, incêndio e/ou ferimentos graves.

Guarde todos os avisos e instruções para futura referência. A expressão "ferramenta eléctrica" utilizada a seguir refere-se a ferramentas eléctricas com ligação à corrente eléctrica (com cabo) ou com bateria (sem fios).

1. Segurança na área de trabalho

- a. **Mantenha a área de trabalho limpa e bem iluminada.** As áreas desorganizadas ou escuras são propensas a acidentes.
- b. **Não trabalhe com ferramentas eléctricas em áreas com risco de explosão, nas quais se encontrem líquidos, gases ou poeiras inflamáveis.** As ferramentas eléctricas criam faíscas que poderão inflamar estas poeiras ou vapores.
- c. **Mantenha as crianças e outras pessoas afastadas durante a utilização da ferramenta eléctrica.** As distrações podem levar à perda do controlo da ferramenta.

2. Segurança eléctrica

- a. **As fichas da ferramenta eléctrica devem encaixar na tomada. Nunca modifique a ficha de forma alguma. Não utilize fichas adaptadoras com ferramentas eléctricas ligadas à terra.** As fichas não modificadas e as tomadas compatíveis reduzem o risco de choque eléctrico.
- b. **Evite que o corpo entre em contacto com superfícies ligadas à terra, como tubos, radiadores, fogões e frigoríficos.** Se o seu corpo estiver "ligado" à terra, o risco de choque eléctrico é maior.
- c. **As ferramentas eléctricas não podem ser expostas a chuva nem humidade.** A entrada de água numa ferramenta eléctrica aumenta o risco de choque eléctrico.
- d. **Manuseie o cabo com cuidado. Nunca o utilize para transportar, puxar ou desligar a ferramenta eléctrica.**

Mantenha o cabo afastado de fontes de calor, substâncias oleosas, arestas afiadas ou peças móveis. Os cabos danificados ou emaranhados aumentam o risco de choque eléctrico.

- e. **Quando trabalhar com uma ferramenta eléctrica ao ar livre, utilize uma extensão adequada para esse fim.** A utilização de um cabo adequado para uso ao ar livre reduz o risco de choque eléctrico.
- f. **Se for inevitável trabalhar com uma ferramenta eléctrica num local húmido, utilize um dispositivo de corrente residual (RCD).** A utilização de um RCD reduz o risco de choque eléctrico.
3. **Segurança pessoal**
- a. **Esteja atento, preste atenção ao que está a fazer e seja prudente quando trabalhar com a ferramenta eléctrica. Não utilize uma ferramenta eléctrica quando estiver cansado ou sob o efeito de drogas, álcool ou medicamentos.** Um momento de distração durante a utilização de ferramentas eléctricas pode resultar em ferimentos graves.
- b. **Utilize equipamento de protecção individual. Use sempre protecção ocular.** O equipamento de protecção, como, por exemplo, uma máscara contra o pó, sapatos de segurança antiderrapantes, um capacete de segurança ou uma protecção auditiva, usado nas condições apropriadas, reduz o risco de ferimentos.
- c. **Evite arranques involuntários. Certifique-se de que o botão está desligado antes de ligar a ferramenta à corrente eléctrica e/ou as baterias, e antes de levantar ou transportar a ferramenta.** Se mantiver o dedo sobre o interruptor ao transportar ferramentas eléctricas ou se as ligar à fonte de alimentação com o interruptor ligado, isso pode dar origem a acidentes.
- d. **Retire eventuais chaves de ajuste ou chaves de fendas antes de ligar a ferramenta eléctrica.** Uma chave de fenda ou de ajuste fixada numa peça rotativa da ferramenta eléctrica pode causar ferimentos.
- e. **Não tente chegar a pontos fora do alcance. Mantenha sempre os pés bem apoiados e um equilíbrio apropriado.** Desta forma, será mais fácil controlar a ferramenta eléctrica em situações inesperadas.
- f. **Use vestuário adequado. Não use roupa larga ou joias. Mantenha o cabelo, a roupa e as luvas afastados das peças móveis.** As roupas largas, as jóias ou o cabelo comprido podem ficar presos nestas peças.
- g. **Se for prevista a montagem de dispositivos de extracção e recolha de poeiras, assegure-se de que estão ligados e que são utilizados de forma correcta.** A utilização de dispositivos de extracção de partículas pode reduzir os riscos relacionados com as mesmas.
- h. **Não permita que a experiência obtida pela utilização frequente de ferramentas faça com que seja complacente e ignore os princípios de segurança da ferramenta.** Uma acção descuidada pode causar ferimentos graves numa fracção de segundo.
4. **Utilização e manutenção da ferramenta eléctrica**
- a. **Não sobrecarregue a ferramenta eléctrica. Utilize a ferramenta eléctrica correcta para o seu trabalho.** A ferramenta eléctrica adequada irá efectuar o trabalho de um modo mais eficiente e seguro se for utilizada de acordo com a capacidade para a qual foi concebida.
- b. **Não utilize a ferramenta eléctrica se o interruptor não puder ser ligado ou desligado.** Qualquer ferramenta eléctrica que não possa ser controlada através do interruptor de alimentação é perigosa e tem de ser reparada.
- c. **Desligue a ficha da tomada e/ou a bateria da ferramenta eléctrica antes de proceder a ajustes, trocar acessórios ou guardar ferramentas eléctricas.** Estas medidas de segurança preventivas reduzem o risco de ligar a ferramenta eléctrica acidentalmente.
- d. **Mantenha as ferramentas eléctricas que não estiverem a ser utilizadas fora do alcance das crianças. Não permita que a ferramenta eléctrica seja utilizada por pessoas não familiarizadas com a mesma ou que não tenham lido estas instruções.** As ferramentas eléctricas são perigosas nas mãos de pessoas que não possuam as qualificações necessárias para as manusear.
- e. **Proceda à manutenção das ferramentas eléctricas. Verifique se as partes móveis estão desalinhasadas ou bloqueadas, se existem peças partidas ou qualquer outra situação que possa afetar o funcionamento das ferramentas eléctricas. Se a ferramenta eléctrica estiver danificada, esta não deve ser utilizada até que seja reparada.** Muitos acidentes têm como principal causa ferramentas eléctricas com uma manutenção insuficiente.
- f. **Mantenha as ferramentas de corte afiadas e limpas.** As ferramentas de corte sujeitas a uma manutenção adequada, com arestas de corte afiadas, bloqueiam com menos frequência e controlam-se com maior facilidade.
- g. **Utilize a ferramenta eléctrica, os acessórios e as peças de ferramenta, etc., de acordo com estas instruções, considerando as condições de trabalho e a tarefa a ser executada.** A utilização da ferramenta eléctrica para fins diferentes dos previstos pode resultar em situações perigosas.
- h. **Mantenha as pegas e superfícies de prensão secas, limpas e sem óleo e gordura.**

Pegas escorregadias e superfícies de preensão não permitem um manuseamento e controlo seguros da ferramenta em situações inesperadas.

6. Assistência

a. A ferramenta eléctrica deve ser reparada por pessoal qualificado e só devem ser colocadas peças sobresselentes idênticas.

Desta forma, é garantida a segurança da ferramenta eléctrica.

Avisos de segurança adicionais para ferramentas eléctricas



Atenção! Avisos de segurança adicionais para serras eléctricas e serras de vaivém

- ◆ **Segure a ferramenta eléctrica pelas superfícies de preensão isoladas quando efectuar uma operação em que a ferramenta de corte possa entrar em contacto com a cablagem oculta.** O acessório de corte que entre em contacto com um fio com tensão eléctrica pode fazer com que as peças de metal expostas da ferramenta conduzam electricidade e electrocutem o utilizador.
- ◆ **Utilize grampos ou outro sistema prático para fixar e apoiar a peça numa plataforma estável.** Segurar a peça com a mão ou contra o corpo pode causar instabilidade e perda de controlo.
- ◆ **Mantenha as mãos afastadas da área de corte.** Nunca manuseie a parte inferior da peça de trabalho em circunstância alguma. Não introduza os dedos perto da lâmina rotativa e o grampo de lâminas. Não estabilize a serra, agarrando a base de apoio.
- ◆ **Mantenha as lâminas afiadas.** Se as lâminas estiverem embotadas, a serra pode mudar de direcção ou bloquear sob pressão. Utilize sempre o tipo adequado da lâmina da serra para o material da peça e o tipo de corte.
- ◆ **Quando cortar tubos ou condutas, certifique-se de que não têm água, ligação a cablagem eléctrica, etc.**
- ◆ **Não toque na peça ou na lâmina imediatamente após a utilização da ferramenta.** Podem estar muito quentes.
- ◆ **Esteja atento a perigos escondidos, antes de perfurar paredes, pisos ou tectos, verifique a localização de cablagem e tubos.**
- ◆ **A lâmina irá continuar a mover-se depois de libertar o interruptor.** Desligue sempre a ferramenta e aguarde até a serra da lâmina parar por completo antes de pousar a ferramenta.

Atenção! O contacto ou a inalação de poeiras originadas pelas aplicações de corte poderá colocar em perigo a saúde do operador e das pessoas presentes.

Use uma máscara anti-poeira, especialmente concebida para protecção contra poeira e vapores e garanta que as pessoas que se encontrem ou entrem na área estejam também protegidas.

- ◆ A utilização pretendida está descrita neste manual de instruções.
- ◆ O uso de qualquer acessório ou dispositivo auxiliar ou execução de qualquer operação com esta ferramenta que não esteja de acordo com as recomendações neste manual de instruções pode representar um risco em termos de ferimentos e/ou danos de propriedade.

Segurança de terceiros

- ◆ Esta ferramenta não deve ser utilizada por pessoas (incluindo crianças) com capacidades físicas, sensoriais ou mentais ou com falta de experiência e conhecimentos, a não ser que recebam supervisão ou instruções sobre a utilização do equipamento por uma pessoa responsável pela sua segurança.
- ◆ As crianças devem ser vigiadas para que não mexam no equipamento.

Riscos residuais

Podem ocorrer riscos residuais adicionais se utilizar a ferramenta que pode não estar incluída nos avisos de segurança fornecidos. Estes riscos podem resultar de má utilização, uso prolongado, etc.

Apesar da aplicação dos regulamentos de segurança relevantes e da implementação de dispositivos de segurança, alguns riscos residuais não podem ser evitados. Estes incluem:

- ◆ Ferimentos causados pelo contacto com peças em rotação/movimento.
- ◆ Ferimentos causados durante a substituição de peças, lâminas ou acessórios.
- ◆ Ferimentos causados pela utilização prolongada de uma ferramenta. Quando utilizar uma ferramenta durante períodos prolongados, certifique-se de que faz pausas regularmente.
- ◆ Danos auditivos.
- ◆ Perigos de saúde causados pela inalação da poeira resultante da utilização da ferramenta (por exemplo, quando trabalhar com madeira, em especial carvalho, faia e placas de fibra de densidade média.)

Vibração

Os valores de emissão de vibração declarados na secção de dados técnicos e na declaração de conformidade foram medidos de acordo com o método de teste padrão fornecido pela EN62841 e podem ser utilizados para comparar ferramentas.

O valor de emissão de vibração declarado pode ainda ser utilizado numa avaliação preliminar de exposição.

Atenção! O valor de emissão de vibração durante a utilização real da ferramenta eléctrica pode ser diferente do valor declarado, dependendo da forma como a ferramenta é utilizada. O nível de vibração pode aumentar acima do nível indicado.

Quando avaliar a exposição da vibração para determinar as medidas de segurança exigidas pela Diretiva 2002/44/CE para proteger pessoas que utilizem regularmente ferramentas eléctricas na sua atividade profissional, deve ser considerada uma estimativa de exposição de vibração, as condições reais de utilização e o modo de utilização da ferramenta, incluindo ainda todas as partes do ciclo de funcionamento, como os períodos de inatividade e espera da ferramenta, além do tempo de funcionamento.

Etiquetas colocadas na ferramenta

Os seguintes pictogramas, assim como o código de data, estão indicados na ferramenta:



Atenção! Para reduzir o risco de ferimentos, o utilizador deve ler o manual de instruções.

Segurança eléctrica



Esta ferramenta tem isolamento duplo. Por esse motivo, não precisa de ligação à terra. Verifique sempre se a tensão da tomada de electricidade corresponde à tensão indicada na placa com os requisitos de alimentação da ferramenta.

- ◆ Se o cabo de alimentação estiver danificado, terá de ser substituído pelo fabricante ou por um Centro de Assistência autorizado da BLACK+DECKER para evitar situações de perigo.

Componentes

Esta ferramenta inclui algumas ou todas as seguintes características:

1. Interruptor de ligar/desligar
2. Botão de bloqueio
3. Alavanca de fecho de lâminas de serra
4. Base de apoio
5. Saída de extracção de pó
6. Selector de curso do pêndulo
7. Botão de velocidade variável
- 7a. Luz de trabalho LED

Montagem

Atenção! Antes da montagem, certifique-se de que a ferramenta está desligado e que não está ligado à corrente eléctrica.

Montagem e remoção da lâmina da serra (Fig. A)

- ◆ Segure a lâmina da serra (8) com os dentes virados para a frente, como indicado.
- ◆ Empurre a alavanca de bloqueio (3) para fora da base de apoio (4).
- ◆ Insira a haste da lâmina no sistema de fixação da lâmina (9) o máximo possível.
- ◆ Levante a alavanca.
- ◆ Para retirar a lâmina da serra (8), afaste a alavanca de bloqueio (3) da base de apoio (4) e puxe a lâmina para fora.

Ligar um aspirador à ferramenta (Fig. B)

- ◆ Faça deslizar o bico do aspirador para a saída de extracção de poeiras (5).

Utilização

Ajustar a base de apoio para cortes em bisel (Fig. C, D)

Atenção! Nunca utilize a ferramenta quando a base de apoio da serra estiver solta ou removido.

É possível definir a base de apoio (4) para um ângulo de bisel esquerdo ou direito de 45°.

- ◆ Desaperte o parafuso (10).
- ◆ Rode a base de apoio para a esquerda ou direita até à posição de 45°.
- ◆ Aperte o parafuso.

Para repor a base de apoio (4) para cortes de 90°:

- ◆ Desaperte o parafuso (10).
- ◆ Rode para o centro e empurre-o para a posição de 0°.
- ◆ Aperte o parafuso.

Ligar e desligar (Fig. G)

- ◆ Para ligar a ferramenta, prima o interruptor de ligar/desligar (1).
- ◆ A luz de trabalho LED (7a) acende-se.
- ◆ Para um funcionamento contínuo, prima o interruptor de ligar/desligar (1) e, em seguida, prima o botão de bloqueio (2).
- ◆ Para desligar a ferramenta, solte o interruptor de ligar/desligar. Para desligar a ferramenta quando estiver no modo de funcionamento contínuo, prima o interruptor de ligar/desligar e solte-o.

Controlo de velocidade variável

Para definir a velocidade da serra de vaivém, rode o botão de controlo de velocidade variável (7) para a velocidade adequada. Se rodar o botão de velocidade variável para a parte de trás da serra de vaivém, isso resulta em velocidades mais lentas. Posicione o botão de controlo da velocidade na posição "1" para obter a velocidade mais lenta, "3" para uma velocidade média e "7" para obter a velocidade mais elevada.

Como utilizar a funcionalidade Sightline (Fig. E)

- ◆ Utilize um lápis para marcar a linha de corte.
- ◆ Posicione a serra de vaivém acima da linha (11).

A linha de corte pode ser seguida facilmente se a visualizar directamente acima da serra.

Modo de corte

O curso ou a acção do pêndulo proporciona um movimento mais agressivo e foi concebido para cortar materiais macios, como madeira ou plástico. Permite um corte mais rápido, mas com um corte menos suave ao longo do material. A serra de vaivém inclui um selector de curso do pêndulo para regular a acção do pêndulo. A utilização deste selector é explicada nas duas secções seguintes.

Nota: Nunca utilize a acção de pêndulo para cortar metal.

Selector de curso do pêndulo (Fig. F)

O modelo BES610 tem quatro modos de corte que permitem aumentar a acção do pêndulo:

- ◆ Posição 0: metal, alumínio e chapa metálica (sem acção de pêndulo).
- ◆ Posição 1: para laminados, madeira dura, topos.
- ◆ Posição 2: para contraplacado e PVC/plástico.
- ◆ Posição 3: para madeira macia e corte rápido.

Para ajustar a acção do pêndulo:

- ◆ Rode o selector de Curso do Pêndulo (6) para a posição pretendida.

Serrar

Segure firmemente a ferramenta com ambas as mãos enquanto corta. A base de apoio (4) deve ser segurada com firmeza contra o material a ser cortado. Isto impede que a serra salte, reduz as vibrações e minimiza a probabilidade de quebra da lâmina.

- ◆ Deixe a lâmina a trabalhar livremente durante alguns segundos antes de iniciar o corte.
- ◆ Exerça um ligeira pressão na ferramenta enquanto efectua o corte.

Sugestões para uma utilização ótima**Lâmina guia de corte a direito (apenas disponível com o modelo BES610K)**

Quando precisar de um corte a direito com precisão adicional, utilize a lâmina guia de corte a direito (8a).

Serrar laminados

Quando cortar laminados, poderão formar-se lascas que podem danificar a superfície de apresentação. As lâminas de serra mais comuns cortam de acordo com um movimento ascendente, portanto, se a base de apoio estiver colocada na superfície de apresentação, utilize uma lâmina de serra que faça um corte de acordo com um movimento descendente ou:

- ◆ Utilize uma lâmina de serra com dentes finos.
- ◆ Serre a partir da superfície de fundo da peça.
- ◆ Para minimizar a fragmentação, fixe um pedaço de madeira ou cartão prensado em ambos os lados da peça e serre este painel composto.

Serrar metal

Atenção! Não utilize um aspirador quando cortar metais. As limalhas de metal estão quentes e podem causar um incêndio.

Tenha em atenção que a serração de metal demora muito mais tempo do que a serração de madeira.

- ◆ Utilize uma lâmina de serra adequada para a serração de metal.
- ◆ Quando cortar chapas metálicas finas, coloque um pedaço de madeira na superfície de fundo da peça e faça um corte este painel composto.
- ◆ Espalhe uma camada fina de óleo ao longo da linha de corte pretendida.

Corte por incisão (fig. H)

Um corte por incisão é um método fácil de fazer um corte interno.

A serra pode ser inserida directamente num painel ou tábua sem ter de fazer primeiro um furo inicial ou piloto. Quando fizer um corte por incisão, meça a superfície a cortar e marque claramente com um lápis. Em seguida, incline a serra para a frente até a extremidade dianteira da base de apoio assentar com firmeza na superfície de trabalho e a lâmina efectuar a tarefa ao longo de todo o curso. Ligue a ferramenta e aguarde até atingir a velocidade máxima. Segure a serra com firmeza e baixe a extremidade traseira da ferramenta lentamente até a lâmina atingir a profundidade completa. Segure na base de apoio contra a madeira e inicie o corte. Não retire a lâmina do local de corte enquanto esta estiver em movimento. A lâmina deve parar por completo.

Acessórios

O desempenho da sua ferramenta depende do acessório utilizado. Os acessórios BLACK+DECKER são concebidos segundo normas de elevada qualidade e desenvolvidos de modo a melhorar o desempenho da sua ferramenta. Utilizando estes acessórios, tirará o melhor partido da sua ferramenta.

Manutenção

A ferramenta BLACK+DECKER foi concebida para funcionar durante muito tempo com um mínimo de manutenção.

Uma utilização continuamente satisfatória depende de uma manutenção apropriada da ferramenta e de uma limpeza regular.

Atenção! Antes de executar qualquer manutenção na ferramenta, desligue a ferramenta antes de a limpar.

- ◆ Limpe regularmente as aberturas de ventilação da ferramenta com uma escova suave ou um pano seco.
- ◆ Limpe regularmente o compartimento do motor com um pano húmido. Não utilize produtos de limpeza abrasivos ou à base de dissolventes.

Substituição da ficha de alimentação (apenas Reino Unido e Irlanda)

Se for necessário instalar uma nova ficha de alimentação:

- ◆ Elimine com segurança a ficha antiga.
- ◆ Ligue o cabo castanho ao terminal activo da nova ficha.
- ◆ Ligue o cabo azul ao terminal neutro.

Atenção! Não deve ser efetuada qualquer ligação ao terminal de terra.

Siga as instruções de instalação fornecidas com fichas de boa qualidade.

Fusível recomendado: 5 A.

Protecção do ambiente



Faça uma recolha de lixo seletiva. Os produtos e as baterias assinalados com este símbolo não devem ser eliminados juntamente com o lixo doméstico normal.

Os produtos e as pilhas contêm materiais que podem ser recuperados ou reciclados, reduzindo assim a necessidade de matérias-primas.

Recicle os produtos eléctricos e as pilhas de acordo com as disposições locais. Estão disponíveis mais informações em www.2helpU.com

Dados técnicos

		BES610
Tensão de entrada	V _{CA}	230
Alimentação	W	650
Velocidade sem carga	min. ⁻¹	1000 - 3100
Profundidade máxima de corte		
Madeira	mm	90
Aço	mm	8
Alumínio	mm	15
Peso	kg	2,2

Nível de pressão acústica de acordo com a norma EN 62841:

Pressão acústica (L_{PA}) 87,7 dB(A), variabilidade (K) 3 dB(A)

Potência acústica (L_{WA}) 98,7 dB(A), incerteza (K) 3 dB(A)

Valores totais de vibração (soma de vetores triaxiais) de acordo com a norma EN 62841:

Cortar tábuas (a_{hB}) 3,6 m/s², variabilidade (K) 1,5 m/s²

Cortar chapas metálicas (a_{mM}) 5,0 m/s², variabilidade (K) 1,5 m/s²

Declaração de conformidade CE

DIRETIVA "MÁQUINAS"



Serra eléctrica BES610

A Black & Decker declara que os produtos descritos nos

"dados técnicos" estão em conformidade com:

2006/42/CE, EN62841-1:2015, EN62841-2-11:2016.

Estes produtos estão também em conformidade com a Diretiva 2014/30/UE e 2011/65/UE. Para obter mais informações, contacte a Black & Decker através do endereço seguinte ou consulte o verso do manual.

O abaixo assinado é responsável pela compilação do ficheiro técnico e faz esta declaração em nome da Black & Decker.

Patrick Diepenbach

Patrick Diepenbach
Director General, Benelux

Black & Decker,
Egide Walschaertsstraat 14-18
2800 Mechelen, Bélgica
31/07/2018

Garantia

A Black & Decker confia na qualidade dos seus produtos e oferece aos clientes uma garantia de 24 meses a partir da data de compra. Esta garantia é um complemento dos seus direitos estabelecidos por lei, não os prejudicando de forma alguma. A garantia é válida nos Estados-membros da União Europeia e nos países-membros da Zona Europeia de Comércio Livre.

Para acionar a garantia, esta deve estar em conformidade com os termos e condições da Black & Decker e terá de apresentar comprovativos de compra ao vendedor ou a um agente de reparação autorizado.

Os termos e condições da garantia de 2 anos da Black & Decker e a localização do agente de reparação autorizado mais próximo podem ser obtidos na Internet em www.2helpU.com ou contactando uma filial da Black & Decker, cuja morada está indicada neste manual.

Visite o nosso Website www.blackanddecker.co.uk para registar o novo produto Black & Decker e manter-se atualizado relativamente a novos produtos e ofertas especiais.

Avsedd användning

Din BLACK+DECKER BES610 figursåg är avsedd för sågning av trä, plast och tunn plåt. Detta verktyg är endast avsett för konsumentbruk.

Säkerhetsinstruktioner

Allmänna säkerhetsanvisningar för elverktyg



Varning! Läs alla säkerhetsvarningar, instruktioner, illustrationer och specifikationer som levereras med detta elverktyg. Fel som uppstår till följd av att varningarna och instruktionerna som listas nedan inte följs kan orsaka elstöt, brand och/eller allvarliga kroppsskador.

Spara alla säkerhetsföreskrifter och anvisningar för framtida bruk. Begreppet "Elverktyg" i alla varningar som listas nedan avser nätdrivna elverktyg (med nätsladd) och batteridrivna elverktyg (sladdlösa).

1. Säkerhet på arbetsplatsen

- Se till att arbetsområdet är rent och väl belyst.** Belamrade och mörka områden inbjuder till olyckor.
- Använd inte elverktyget i explosionsfarlig omgivning, t.ex. i närheten av brännbara vätskor, gaser eller damm.** Elverktyg skapar gnistor som kan antända damm eller ångor.
- Håll barn och åskådare på avstånd vid arbete med elverktyget.** Distractioner kan göra att du förlorar kontrollen.

2. Elsäkerhet

- Elverktygets stickkontakt måste passa i eluttaget. Modifiera aldrig kontakten på något sätt. Använd inga adapterkontakter tillsammans med jordade elverktyg.** Icke modifierade kontakter och passande uttag minskar risken för elektrisk stöt.
- Undvik kroppskontakt med jordade ytor, t.ex. rör, värmeelement, spisar och kylskåp.** Det finns en ökad risk för elektrisk stöt om din kropp är jordansluten eller jordad.
- Utsätt inte elverktyget för regn eller våta omgivelningar.** Vatten som kommer in i ett elverktyg ökar risken för elektrisk stöt.
- Misshandla inte nätsladden. Använd aldrig sladden för att bära, dra eller koppla bort elverktyget från uttaget. Håll sladden borta från värme, olja, skarpa kanter eller rörliga delar.** Skadade eller tilltrasslade sladdar ökar risken för elektrisk stöt.
- Använd en förlängningssladd som lämpar sig för utomhusbruk när du arbetar med elverktyg utomhus.** Användning av en sladd som är lämplig för utomhusbruk minskar risken för elektriska stötar.

- Om du måste använda ett elverktyg på en fuktig plats, bör du använda en strömförsörjning med jordfelsbrytare.** Användning av en jordfelsbrytare minskar risken för elektrisk stöt.

3. Personlig säkerhet

- Var uppmärksam, se på vad du gör och använd sunt omdöme när du använder elverktyget.** Använd inte ett elverktyg när du är trött eller påverkad av droger, alkohol eller mediciner. Ett ögonblicks ouppmärksamhet när du arbetar med elektriska verktyg kan leda till allvarliga personskador.
- Använd personlig skyddsutrustning. Använd alltid skyddsglasögon.** Skyddsutrustning såsom dammfilterskydd, halksäkra säkerhetsskor, skyddshjälm eller hörselskydd som används för lämpliga förhållanden minskar personskador.
- Förhindra oavsiktlig start. Kontrollera att strömbrytaren står i avstängt läge innan du ansluter verktyget till elnätet eller sätter i batteriet, samt innan du tar upp eller bär verktyget.** Att bära elektriska verktyg med fingret på strömbrytaren eller att koppla strömmen till elektriska verktyg när strömbrytaren är på leder till olyckor.
- Ta bort alla inställningsverktyg och skruvnycklar innan du startar elverktyget.** Ett verktyg eller en nyckel som har lämnats kvar på en roterande del av det elektriska verktyget kan orsaka kroppsskador.
- Sträck dig inte för mycket. Ha ordentligt fotfäste och balans hela tiden.** Detta möjliggör bättre kontroll av elverktyget i oväntade situationer.
- Bär lämpliga kläder. Bär inte lösa kläder eller smycken. Håll hår, beklädnad och handskar borta från delar i rörelse.** Lösa kläder, smycken eller långt hår kan fastna i rörliga delar.
- Om enheten har dammsugnings- och uppsamlingsutrustning, se till att den är ansluten och används på korrekt sätt.** Användning av dammuppsamling kan minska dammrelaterade risker.
- Låt inte självförtroende från regelbunden användning av verktyget orsaka oaksamhet eller underlåtenhet att följa verktygets säkerhetsprinciper.** En oförsiktig handling kan orsaka allvarlig skada inom loppet av en bräkdels sekund.

4. Användning och skötsel av elverktyg

- Överbelasta inte elverktyget. Använd rätt elverktyg för ditt arbete.** Det korrekta elverktyget gör arbetet bättre och säkrare vid den hastighet för vilket det konstruerades.
- Använd inte elverktyget om det inte kan startas och stängas av med strömbrytaren.** Ett elverktyg som inte kan kontrolleras med strömbrytaren är farligt och måste repareras.

- c. **Dra stickproppen ur vägguttaget och/eller ta ut batteriet ur elverktyg innan inställningar görs, tillbehör byts ut eller elverktyget ställs undan.**
Sådana förebyggande säkerhetsåtgärder minskar risken att oavsiktligt starta elverktyget.
- d. **Förvara elverktyg utom räckhåll för barn och låt inte personer som är ovana vid elverktyget eller som inte läst denna bruksanvisning använda det.**
Elverktyg är farliga i händerna på ovana användare.
- e. **Underhålla elverktyg och tillbehör. Kontrollera att rörliga komponenter fungerar felfritt och inte kärvar, att komponenter inte gått sönder eller skadats och inget annat föreligger som kan påverka elverktygets funktion. Om det är skadat, se till att elverktyget blir reparerat före användning.** Många olyckor orsakas av dåligt underhållna elektriska verktyg.
- f. **Håll skärande verktyg vassa och rena.** Korrekt underhållna kapverktyg med vassa skär är mindre troliga att de fastnar och är lättare att kontrollera.
- g. **Använd elverktyg, tillbehör, bits m.m. enligt dessa anvisningar, samtidigt som arbetsförhållandena och det arbete som ska utföras beaktas.** Användning av elverktyget för andra uppgifter än vad som avsetts kan resultera i farliga situationer.
- h. **Håll handtag och greppytor torra, rena och fria från olja och fett.** Håll handtag och greppytor möjliggör inte sker hantering och kontroll av verktyget i oväntade situationer.
6. **Service**
- a. **Låt en kvalificerad reparatör som bara använder identiska reservdelar utföra service på elverktyget.**
Detta säkerställer att elverktygets säkerhet bibehålls.

Ytterligare säkerhetsanvisningar för elverktyg



Varning! Extra säkerhetsföreskrifter för figursågar och pendelsågar

- ◆ **Håll elverktyg i de isolerade greppytorna när arbete utförs där kaptillbehöret kan komma i kontakt med dolda ledningar.** Kaptillbehör som kommer i kontakt med en strömförande ledning kan göra att exponerade metalldelar hos elverktyget blir strömförande och kan ge användaren en elektrisk stöt.
- ◆ **Använd klämmor eller andra praktiska sätt att fästa och stödja arbetsstycket på ett stabilt underlag.** Att hålla arbetsstycket för hand eller mot kroppen är instabilt och kan göra att du förlorar kontrollen.
- ◆ **Håll händerna borta från kapområdet.** Sträck dig aldrig under arbetsstycket av något skäl. För inte in fingrarna eller tummar i närheten av det pendlande bladet och bladklämman.

Undvik att stabilisera sågen genom att hålla i skon.

- ◆ **Håll bladen vassa.** Slöa eller skadade blad kan orsaka att sågen avviker eller stannar under tryck. Använd alltid lämplig typ av sågblad för arbetsstyckets material och typ av sågning.
- ◆ **När rör eller rörledningar kapas se till att de inte innehåller vatten eller elektriska ledningar etc.**
- ◆ **Undvik att vidröra arbetsstycket eller sågbladet direkt efter att verktyget använts.** De kan bli mycket heta.
- ◆ **Var medveten om dolda risker, innan sågning sker in i väggar, golv eller tak ska du kontrollera var rör och ledningar finns.**
- ◆ **Sågbladet fortsätter att röra sig en kort stund efter att du har släppt avtryckaren.** Stäng alltid av verktyget och vänta på att sågbladet skall stanna helt innan verktyget läggs ned.

Varning! Kontakt med eller inandning av damm som uppstår vid sågningen kan utgöra en hälsorisk för operatören och eventuella åskådare. Använd dammask som är särskilt designad

för skydd mot damm och ångor och se till att personer i eller som kommer in på arbetsområdet också är skyddade.

- ◆ Avsedd användning beskrivs i denna bruksanvisning.
- ◆ Användning av andra tillbehör eller tillsatser eller prestanda av andra åtgärder som utförs med redskapet än de som rekommenderas i den här bruksanvisningen kan leda till personsador och/eller skador på egendom.

Säkerhet för andra

- ◆ Detta verktyg är inte avsedd att användas av personer (inklusive barn) med reducerad fysisk, sensorisk eller mental kapacitet eller personer som saknar erfarenhet eller kunskap, såvida inte de övervakas eller fått instruktioner beträffande användning av apparaten av en person som är ansvarig för deras säkerhet.
- ◆ Barn bör övervakas för att garantera att de inte leker med apparaten.

Återstående risker

Ytterligare kvarvarande risker kan uppstå när verktyget används som inte är inkluderade i dessa säkerhetsvarningar. Dessa risker kan uppstå vid felaktig eller långvarig användning, etc.

Även vid tillämpning av relevanta säkerhetsbestämmelser och implementering av säkerhetsanordningar kan vissa kvarvarande risker inte undvikas. Dessa omfattar:

- ◆ Skador orsakade av att roterande/rörliga delar vidrörs.
- ◆ Skador som uppstår vid byte av delar, blad eller tillbehör.
- ◆ Skador som orsakas av en långvarig användning av ett verktyg. Vid användning av elverktyg under längre period, se till att ta paus regelbundet.
- ◆ Hörselnedsättning.

- ◆ Hälsorisker till följd av inandning av damm som bildas vid användning av verktyget (exempelvis: arbete med trä, särskilt ek, bok och MDF.)

Vibrationer

De vibrationsvärden som anges i avsnitten Tekniska data och deklARATIONEN om överensstämmelse har uppmätts i enlighet med en standardtestmetod föreskriven i EN62841 och kan användas för jämförelse med andra verktyg.

Det angivna vibrationsvärdet kan även användas för en preliminär bedömning av exponeringen.

Varning! Vibrationsvärdet under faktisk användning av elverktyget kan skilja sig från det uppgivna värdet beroende på hur verktyget används. Vibrationsnivån kan överstiga den uppgivna nivån.

Vid uppskattningar av exponering för vibrationer i syfte att bedöma vilka säkerhetsåtgärder som är nödvändiga enligt 2002/44/EG för att skydda personer som regelbundet använder elverktyg i arbetet ska man utgå från de faktiska omständigheter under vilka elverktyget används och sättet på vilket det används. Bedömningen ska även ta hänsyn till alla moment i arbetscykeln, t.ex. när verktyget är avstängt och när det går på tomgång såväl som när det faktiskt används.

Etiketter på verktyget

Följande symboler tillsammans med datumkoden är synliga på verktyget:



Varning! Läs bruksanvisningen före användning för att minska risken för personskador.

Elsäkerhet



Eftersom verktyget är dubbelisolerat behövs ingen jordledare. Kontrollera alltid så att spänningen på nätet motsvarar den spänning som finns angiven på märkplåten.

- ◆ Om nätsladden är skadad så måste den bytas ut av tillverkaren eller ett auktoriserat BLACK+DECKER servicecenter för att undvika risker.

Funktioner

Detta verktyg har några eller samtliga av följande funktioner:

1. Strömbrytare
2. Låsknapp
3. Låsspak för sågblad
4. Sågfot
5. Dammutslagningsutgång
6. Ratt för pendelsågrörelse
7. Variabel hastighetsratt
- 7a. LED-arbetsbelysning

Montering

Varning! Innan montering, se till att verktyget är avstängt och urkopplat.

Montera och ta bort sågbladet (fig. A)

- ◆ Håll sågbladet (8) med tänderna riktade framåt såsom visas.
- ◆ Skjut låsspaken (3) bort från skoplattan (4).
- ◆ Sätt ned bladskafet helt i bladklämman (9) så långt som det går.
- ◆ Släpp spaken.
- ◆ För att ta bort sågbladet (8), Skjut låsspaken (3) bort från skoplattan (4) och dra ut bladet.

Ansluta en dammsugare till verktyget (bild B)

- ◆ Skjut in dammsugarmunstycket i dammutslagningshålet (5).

Användning

Justera sågskon för vinkelsågning (bild C, D)

Varning! Använd aldrig verktyget om sågskoplattan är lös eller borttagen.

Skoplattan (4) kan ställas in i en vänster eller högvinkel på 45°.

- ◆ Lossa skruven (10).
- ◆ Vrid skon åt vänster eller höger till 45°.
- ◆ Drag åt skruven.

Så här återställer du sågskon (4) för sågning i 90°:

- ◆ Lossa skruven (10).
- ◆ Vrid den till mittenläget och tryck tillbaka den till 0°.
- ◆ Drag åt skruven.

Starta och stänga av (bild G)

- ◆ Starta verktyget genom att trycka in strömbrytaren (1).
- ◆ LED arbetsbelysningen (7a) aktiveras.
- ◆ För kontinuerlig drift, tryck på strömbrytaren (1) och tryck sedan på låsknappen (2).
- ◆ Stäng av verktyget genom att släppa upp strömbrytaren. För att stänga av verktyget när det är i kontinuerlig drift, tryck på strömbrytaren en gång till och släpp den.

Variabel hastighetskontroll

Ställ in sticksågens hastighet genom att vrida det variabla hastighetskontrollhjulet (7) till lämplig hastighet. Vrid den variabla hastighetskontrollhjulet mot baksidan av sticksågen kommer att resultera i en lägre hastighet. Placera hastighetskontrollratten på "1" för den lägsta hastigheten, "3" för medelhastighet och på "7" för den högsta hastighet.

Hur använda siktlinjefunktionen (bild E)

- ◆ Märk ut såglinjen med en blyertspenna.
- ◆ Placera sågen över linjen (11).

Det är enkelt att följa laserlinjen om du håller huvudet rakt ovanför.

Sågläge

Pendelslag eller rörelse ger en mer aggressiv bladrörelse och är designad för sågning av mjuka material såsom trä eller plast. Det ger snabbare sågning, men snittet blir inte lika över hela materialet. Sin sticksåg har en pendelslagsratt för att ställa in pendelrörelsen. Användning av denna ratt förklaras i nästa två sektionerna.

Notera: Använd aldrig pendelsågrörelsen för att såga i metall.

Ratt för pendelsågrörelse (bild F)

BES610 har fyra såglägen med ökande mängd pendelrörelser:

- ◆ Position 0: metall och aluminium och metallplåt (ingen pendelrörelse).
- ◆ Position 1: för laminat, hårt trä, bänkskivor.
- ◆ Position 2: för plywood och PVC/Plast.
- ◆ Position 3: för mjukt trä och snabbsågning.

Justera pendelrörelsen:

- ◆ Vrid pendelslagsratten (6) till önskad position.

Sågning

Håll sågen stadigt med båda händerna när du sågar. Såglattan (4) ska tryckas ordentligt mot materialet som ska sågas. Detta hjälper till att förhindra att sågen hoppar, minskar vibrationer och minimerar bladbrott.

- ◆ Låt bladet köra fritt i några sekunder innan du startar sågningen.
- ◆ Använd endast ett lätt tryck på verktyget när sågningen utförs.

Tips för optimal användning

Blad för rak sågning (endast tillgänglig med BES610K modellen)

När du behöver ett rakt snitt med extra precision använd blad för rak sågning (8a).

Såga i laminat

Vid sågning i laminat kan arbetsstycket flisa sig, vilket kan skada snittytan. Den vanligaste sågbladen sågar på uppåtgående slag, därför om skoplattan sitter på presentationsytan, använd antingen ett sågblad som sågar på nedåtgående slag eller:

- ◆ Använd ett fintandat sågblad.
- ◆ Vänd arbetsmaterialets undersida uppåt när du sågar.
- ◆ För att minimera splittring, kläm fast en bit skräpträ eller hårdpressad träfiberplatta på båda sidorna av arbetsstycket och såga genom detta paket.

Såga i metall

Varning! Använd inte dammsugare när du sågar i metall. Metallspånen är heta och kan orsaka brand.

Tänk på att det tar mycket längre tid att såga i metall än i trä.

- ◆ Välj ett sågblad som lämpar sig för metallsågning.
- ◆ Vid sågning i tunna metallplåt, kläm fast en bit av skräpträ på baksidan av arbetsytan och såga genom detta paket.
- ◆ Smörj såglinjen med olja innan du sågar.

Instickssågning (bild H)

Instickssågning är ett enkelt sätt att göra en invändig sågning. Sågen kan införas direkt i en panel eller skiva utan att först borra en räna eller ett styrrål. Vid instickssågning mät den yta som ska sågas och markerar den tydligt med en penna. Tippa därefter sågen framåt tills främre änden av skon sitter fast på arbetsytan och bladet klarar arbetet genom dess fulla slag. Slå på verktyget och låt det nå full hastighet. Ta ett fast tag i sågen och sänk ned bakkanten av verktyget långsamt tills bladet når dess kompletta djup. Håll skon plant mot träet och börja såga. Ta inte bort bladet från sågningen medan den fortfarande är i rörelse. Bladet måste ha stannat helt.

Tillbehör

Verktygets prestanda beror på vilka tillbehör du använder. Tillbehör från BLACK+DECKER håller hög kvalitet och är konstruerade för att fungera optimalt med verktyget. Genom att använda dessa tillbehör får du ut mesta möjliga av verktyget.

Underhåll

Detta BLACK+DECKER-verktyg har konstruerats för att fungera under lång tid med ett minimum av underhåll. Kontinuerlig tillfredsställande drift är beroende av ordentlig verktygsvård och regelbunden rengöring.

Varning! Innan du utför något underhåll på verktyget, koppla ifrån verktyget innan det rengörs.

- ◆ Rengör regelbundet apparatens luftintag med en mjuk borste eller torr trasa.
- ◆ Rengör motorkåpan regelbundet med en fuktig trasa. Använd aldrig något slipande eller lösningsmedelsbaserat rengöringsmedel.

Byte av elkontakten (endast Storbritannien och Irland)

Om en ny elkontakt måste monteras:

- ◆ Gör dig av med den gamla kontakten på lämpligt sätt.
- ◆ Anslut den bruna ledningen till den strömförande anslutningen i den nya kontakten.
- ◆ Anslut den blå ledningen till den icke strömförande anslutningen.

Varning! Ingenting bör kopplas till jordanslutningen.

Följ de monteringsanvisningar som följer med kontakter av god kvalitet. Rekommenderad säkring: 5 A.

Skydda miljön



Separat insamling. Produkter och batterier som är markerade med denna symbol får inte kastas i de vanliga hushållsoporna.

Produkter och batterier innehåller material som kan återanvändas eller återvinnas för att minska behovet av råmaterial.

Återvinn elektriska produkter och batterier enligt lokala föreskrifter. Mer information finns tillgänglig på www.2helpU.com

Tekniska data

		BES610
Inspänning	V_{AC}	230
Ineffekt	W	650
Obelastat varvtal	min^{-1}	1000 - 3100
Maximalt sågningsdjup		
Trä	mm	90
Stål	mm	8
Aluminium	mm	15
Vikt	kg	2.2

Ljudtrycksnivå enligt EN 62841:

Ljudtryck (L_{pA}) 87,7 dB(A), osäkerhet (K) 3 dB(A)

Ljudtryck (L_{WA}) 98,7 dB(A), osäkerhet (K) 3 dB(A)

Totala vibrationsvärden (vektorsumman av tre axlar) enligt EN 62841:

Sågning av skivor (a_{hB}) 3,6 m/s^2 , osäkerhet (K) 1,5 m/s^2

Sågning av plåt (a_{hW}) 5,0 m/s^2 , osäkerhet (K) 1,5 m/s^2

EG-försäkran om överensstämmelse

MASKINDIREKTIVET



BES610 figursåg

Black & Decker garanterar att produkterna som beskrivs under

"Tekniska data" uppfyller:

2006/42/EG, EN62841-1:2015, EN62841-2-11:2016.

Dessa produkter överensstämmer även med direktiven 2014/30/EU och 2011/65/EU. Kontakta Black & Decker för ytterligare information på följande adress, eller se handbokens baksida.

Undertecknad är ansvarig för sammanställningen av den tekniska filen och lämnar denna deklARATION på uppdrag av Black & Deckers.

Patrick Diepenbach

Patrick Diepenbach
Director General, Benelux
Black & Decker,
Egide Walschaertsstraat 14-18
2800 Mechelen, Belgica
2018-07-31

Garanti

Black & Decker är säker på kvaliteten hos denna produkt och erbjuder kunder 24 månaders garanti från inköpsdatumet. Garantin gäller utöver konsumentens rättigheter enligt lag och påverkar inte dessa. Garantin är giltig i de områden som tillhör medlemsstaterna i Europeiska unionen och det europeiska frihandelsområdet.

För yrkande under garantin måste yrkandet vara in enlighet med Black & Deckers villkor och du kommer att behöva skicka in bevis på köpet till försäljaren eller en auktoriserad reparatör. Villkoren för Black & Deckers tvååriga garanti och var du hittar din närmaste auktoriserade reparatör kan erhållas på internet på www.2helpU.com, eller genom att kontakta ditt lokala Black & Deckers kontor på adressen som anges i denna manual. Besök vår webbplats www.blackanddecker.se för att registrera din nya Black & Decker-produkt samt för att få information om nya produkter och specialerbjudanden.

(Översettelse av de opprinnelige instruksjonene)

NORSK

Tiltenkt bruk

Stikksagen BLACK+DECKER BES610 er konstruert for sawing av treverk, plast og metall. Dette verktøyet er kun ment for privat bruk.

Sikkerhetsinstruksjoner

Generelle sikkerhetsadvarsler for elektroverktøy



Advarsel! Les alle sikkerhetsanvisninger, instruksjoner, illustrasjoner og spesifikasjoner som følger dette elektriske verktøyet.

Hvis advarslene og anvisningene nedenfor ikke overholdes, kan det medføre elektrisk støt, brann og/eller alvorlige personskader.

Ta vare på alle advarsler og instruksjoner for fremtidig bruk. Uttrykket "elektroverktøy" i alle advarslene nedenfor gjelder for strømdrevne elektroverktøy (med ledning) og batteridrevne elektroverktøy (uten ledning).

1. **Sikkerhet i arbeidsområdet**
 - a. **Hold arbeidsområdet rent og godt opplyst.** Rotete eller mørke områder er en invitasjon til ulykker.
 - b. **Ikke arbeid med elektroverktøy i eksplosjonsfarlige omgivelser, for eksempel der det befinner seg brennbare væsker, gass eller støv.** Elektrisk verktøy skaper gnister som kan antenne støv eller gasser.
 - c. **Hold barn og andre personer unna når du bruker et elektroverktøy.** Distraksjoner kan føre til at du mister kontrollen.
2. **Elektrisk sikkerhet**
 - a. **Støpselet til verktøyet må passe til stikkkontakten. Aldri modifier støpselet på noen måte. Ikke bruk adapterstøpsler til jordede elektriske verktøy.** Umodifiserte støpsler og stikkontakter som passer vil redusere risikoen for elektrisk sjokk.
 - b. **Unngå kroppskontakt med jordede overflater som rør, radiatorer, komfyrer og kjøleskap.** Det er økt risiko for elektrisk støt dersom kroppen din er jordet.
 - c. **Ikke utsett elektroverktøy for regn eller fuktighet.** Dersom det kommer vann inn i et elektrisk verktøy vil det øke risikoen for elektrisk sjokk.
 - d. **Unngå uforvarslig behandling av ledningen. Aldri bruk ledningen til å bære, trekke eller dra ut støpselet til det elektriske verktøyet. Hold ledningen borte fra varme, olje, skarpe kanter eller bevegelige deler.** Skadede eller innviklede ledninger øker risikoen for elektrisk sjokk.
 - e. **Når du bruker et elektroverktøy utendørs, må du bruke en skjøteledning som er egnet til utendørs bruk.** Bruk av en skjøteledning beregnet for utendørs bruk reduserer risikoen for elektrisk støt.
 - f. **Hvis du ikke kan unngå å bruke elektroverktøy på et fuktig sted, må du bruke en strømforsyning som er beskyttet med jordfeilbryter (RCD).** Bruk av jordfeilbryter (RCD) reduserer risikoen for elektrisk støt.
3. **Personsikkerhet**
 - a. **Vær oppmerksom, pass på hva du gjør, og vis sunn fornuft når du arbeider med et elektroverktøy. Ikke bruk et elektrisk verktøy dersom du er trøtt eller er påvirket av medikamenter, narkotika eller alkohol.** Ett øyeblikks uoppmerksomhet under bruk av elektriske verktøy kan føre til alvorlig personskade.
 - b. **Bruk personlig verneutstyr. Bruk alltid vernebriller.** Verneutstyr slik som støvmaske, sklisikre vernesko, hjelm, eller hørselsvern brukt under passende forhold vil redusere personskader.
 - c. **Forhindre utilsiktet start. Kontroller at bryteren står i posisjon "av" før du kobler til strømkilden og/eller batteripakken, og før du tar opp eller bærer verktøyet.**
 - d. **Å bære elektriske verktøy med fingeren på bryteren eller å sette inn støpselet mens elektriske verktøy har bryteren på øker faren for ulykker.**
 - e. **Fjern eventuelt innstillingsverktøy eller skruverktøy før du slår på elektroverktøyet.** Et skruverktøy eller en nøkkel som fortsatt er festet til en roterende del av elektroverktøyet, kan føre til personskade.
 - f. **Ikke strekk deg for langt. Ha godt fotfeste og stå støtt hele tiden.** Dette fører til at du har bedre kontroll over det elektriske verktøyet ved uventede situasjoner.
 - g. **Bruk egnede klær. Ikke ha på deg løstsittende klær eller smykker. Hold hår, antrekk og hansker borte fra bevegelige deler.** Løstsittende klær, smykker og langt hår kan bli fanget opp av bevegelige deler.
 - h. **Hvis det kan monteres støvavsug- og oppsamlingsinnretninger, må du forvise deg om at disse er tilkoblet og brukes på riktig måte.** Bruk av støvoppsamlere kan redusere støvrelaterte farer.
 - i. **Ikke la din erfaring fra hyppig bruk av verktøyer la deg bli likegyldig og ignorere sikkerhetsprinsipper for verktøyene.** En uforsiktig handling kan føre til alvorlige personskader på brøkdelen av et sekund.
4. **Bruk og behandling av elektroverktøy**
 - a. **Ikke bruk makt på elektroverktøyet. Bruk det elektriske verktøyet som situasjonen krever.** Det riktige elektriske verktøyet vil gjøre jobben bedre og tryggere ved den hastigheten det ble konstruert for.
 - b. **Ikke bruk elektroverktøyet hvis du ikke kan slå det på og av med bryteren.** Ethvert elektrisk verktøy som ikke kan kontrolleres med bryteren er farlig og må repareres.
 - c. **Trekk støpselet ut av stikkkontakten og/eller koble fra batteripakken på elektroverktøyet før du utfører innstillinger, bytter tilbehør eller legger elektroverktøyet bort for lagring.** Slike preventive sikkerhetsforanstaltninger reduserer risikoen for å starte det elektriske verktøyet ved et uhell.
 - d. **Elektroverktøy som ikke er i bruk, må oppbevares utilgjengelig for barn. Ikke la verktøyet bli brukt av personer som ikke er fortrolige med det, eller som ikke kjenner disse instruksjonene.** Elektriske verktøy er farlige i hendene på utrenede brukere.
 - e. **Sørg for vedlikehold av elektroverktøy og tilbehør. Undersøk om bevegelige deler er feiljustert eller blokkert, om deler er skadet, og om det er andre forhold som kan påvirke elektroverktøyet funksjon.** Dersom det er skadet, få verktøyet reparert før neste bruk. Mange ulykker forårsakes av dårlig vedlikeholdte verktøy.
 - f. **Hold skjæreverktøy skarpe og rene.**

Godt vedlikeholdte skjæreverktøy med skarpe skjærekanter setter seg mindre sannsynlig fast og er lettere å kontrollere.

- g. Bruk elektroverktøy, tilbehør, bits osv. i henhold til disse instruksjonene. Ta hensyn til arbeidsforholdene og arbeidet som skal utføres.** Bruk av det elektriske verktøyet for oppgaver som er forskjellige fra de som er tiltenkt kan føre til en farlig situasjon.
- h. Hold håndtak og gripeflater tørre, rene og frie for olje og fett.** Glatte håndtak og gripeflater gir utrygg håndtering og dårlig kontroll på verktøyet i uventede situasjoner.

6. Service

- a. Elektroverktøyet skal repareres av kvalifisert personell og bare med originale reservedeler.**

Dette vil sikre at verktøyet sikkerhet blir ivarett.

Ytterligere sikkerhetsadvarsler for elektroverktøy



Advarsel! Ekstra sikkerhetsinstrukser for stikk-sager og pendelsag

- ◆ **Hold i verktøyet på de isolerte overflatene når du utfører arbeid der skjæretilbehøret kan komme i kontakt med skjulte elektriske ledninger.** Hvis skjæretilbehøret kommer i kontakt med en strømførende ledning, kan frittliggende metalldele på verktøyet bli strømførende, og brukeren kan få elektrisk støt.
- ◆ **Bruk klemmer eller en annen praktisk måte for å sikre og støtte arbeidsstykket til et stabilt underlag.** Å holde arbeidsstykket i hendene eller mot kroppen er ustabil og kan føre til at du mister kontroll.
- ◆ **Hold hendene borte fra skjæreområdet.** Du skal aldri gripe under arbeidsstykket av noen som helst årsak. Ikke før inn tommelen din eller andre fingre inn i nærheten av det roterende bladet og bladklemmen. Ikke stabiliser sagen ved å ta tak i skoen.
- ◆ **Hold bladene skarpe.** Sløve eller ødelagte blader kan forårsake at saken svinger ut eller staller under trykk. Du skal alltid bruke riktig type sagblad for arbeidsstykke materialet og type kapping.
- ◆ **Når du kapper rør eller ledninger, skal du forsikre deg om at de er fri for vann og elektrisk strøm etc.**
- ◆ **Ikke rør arbeidsstykket eller sagbladet straks etter å ha brukt verktøyet.** De kan bli svært varme.
- ◆ **Vær oppmerksom på skjulte farer før du borer i vegger, gulv eller tak, kontrollerer du plasseringen av kabler og rør.**
- ◆ **Sagbladet vil fortsatt være i bevegelse etter at du slipper bryteren.** Slå alltid av verktøyet og vent på at sagbladet stopper helt før du setter ned verktøyet.

Advarsel! Kontakt med eller inhalering av støv som oppstår ved skjæring, kan være helseskadelig for operatøren og eventuelle tilskuere. Bruk en støvmaske spesielt utformet for beskyttelse mot støv og damp og sikre at personer i eller som kommer inn i arbeidsområdet også er beskyttet.

- ◆ Bruksområdet er beskrevet i denne bruksanvisningen.
- ◆ Bruk av tilbehør, ekstrautstyr eller å utføre andre operasjoner med dette verktøy, annet enn det som er beskrevet i denne bruksanvisningen, kan gi risiko for personskader og/eller materielle skader.

Andre personers sikkerhet

- ◆ Det er ikke meningen at dette apparatet skal brukes av personer (inkludert barn) med reduserte fysiske, sensoriske eller mentale evner, eller som mangler erfaring og kunnskap, med mindre de holdes under oppsyn eller har fått tilstrekkelig opplæring når det gjelder bruk av apparatet av en person som er ansvarlig for deres sikkerhet.
- ◆ Barn må holdes under oppsyn, sørg for at de ikke leker med apparatet.

Restrisikoer

Noen restrisikoer kan oppstå ved bruk av verktøyet som ikke er tatt med i de vedlagte sikkerhetsanvisningene. Disse risikoene kan bli forårsaket av feil bruk, langvarig bruk osv. Selv ved bruk av de aktuelle sikkerhetsanvisningene og bruk av vemeutstyr, kan visse rest-risikoer ikke unngås. Disse inkluderer:

- ◆ Personskader som forårsakes av berøring av en roterende/bevegelig del.
- ◆ Personskader som oppstår ved skifte av deler, blader eller tilbehør.
- ◆ Personskader som skyldes for lang tids bruk av verktøyet. Ved bruk av et verktøy i lange perioder, må du sørge for å ta regelmessige pauser.
- ◆ Hørselskader.
- ◆ Helsefarer som følge av innånding av støv forårsaket av bruken av verktøyet (eksempel:- arbeid med treverk, spesielt eik, bøk og MDF.)

Vibrasjon

Vibrasjonsemisjonsverdien som er angitt under tekniske data og samsvarserklæring, er blitt målt i henhold til en standard testmetode som er angitt i EN62841, og kan brukes til å sammenligne et verktøy med et annet.

Den oppgitte vibrasjonsemisjonsverdien kan også brukes til en foreløpig vurdering av eksponering.

Advarsel! Vibrasjonsemisjonsverdien under faktisk bruk av elektroverktøyet kan avvike fra den oppgitte verdien avhengig av måten verktøyet blir brukt på. Vibrasjonsnivået kan øke over nivået som er oppgitt.

Når det vurderes vibrasjonseksposering for å avgjøre hvilke sikkerhetstiltak som kreves ifølge 2002/44/EF, for å beskytte personer som bruker elektroverktøy regelmessig til arbeidsformål, skal det, når vibrasjonseksposeringen anslås, tas hensyn til de faktiske bruksforholdene og måten verktøyet blir brukt på. Dette inkluderer å ta hensyn til alle deler av brukssyklusen, for eksempel når verktøyet er avslått, når det går på tomgang og når utløseren er trykket inn.

Etiketter på verktøyet

De følgende symbolene sammen med datokode vises på apparatet:



Advarsel! Brukeren må lese håndboken for å redusere risikoen for personskade.

Elektrisk sikkerhet



Dette verktøyet er dobbeltisolert. Jording er derfor ikke nødvendig. Kontroller alltid at strømforsyningen samsvarer med spenningen på merkeskiltet.

- ◆ Hvis strømledningen blir skadet, må den byttes av produsenten eller et autorisert BLACK+DECKER-servicesenter for å unngå fare.

Funksjoner

Dette verktøyet inneholder enkelte av eller alle funksjonene nedenfor:

1. På-/av-bryter
2. Låseknapp
3. Låsespak for sagblad
4. Fotplate
5. Støvsugeruttak
6. Bryter for pendelbevegelse
7. Hjul for hastighetsregulering
- 7a. LED-arbeidslampe

Montering

Advarsel! Før monteringen må du passe på at verktøyet er slått av, og at støpselet er trukket ut.

Montering og demontering av sagbladet (figur A)

- ◆ Hold sagbladet (8) med tennene vendt fremover.
- ◆ Trykk låsespaken (3) vekk fra fotplaten (4).
- ◆ Sett skaffet til bladet helt inn i bladklemmehansjett (9) så langt det går.
- ◆ Slipp spaken.
- ◆ For å ta av sagbladet (8), trykk låsespaken (3) vekk fra fotplaten (4) og trekk ut bladet.

Koble en støvsuger til verktøyet (figur B)

- ◆ Skyv sugedysen inn på støvuttaket (5).

Bruk

Justere fotplaten for skråkutting (figur C, D)

Advarsel! Bruk aldri verktøyet mens fotplaten er løs eller fjernet.

Fotplaten (4) kan skråstilles både til høyre og venstre, opp til 45°.

- ◆ Løsne skruen (10).
- ◆ Roter fotplaten til venstre eller høyre til 45° posisjon.
- ◆ Stram til skruen.

Tilbakestill fotplaten (4) for 90°-kutt:

- ◆ Løsne skruen (10).
- ◆ Vri til midtstilling, og skyv den tilbake i posisjonen for 0°.
- ◆ Stram til skruen.

Slå på og av (figur G)

- ◆ rykk på av/på-knappen (1) for å slå verktøyet på.
- ◆ LED-arbeidslampen (7a) tennes.
- ◆ For kontinuerlig bruk, trykk av/på-knappen (1) og trykk på låseknappen (2).
- ◆ Slipp på/av-knappen for å slå verktøyet av. For å slå av verktøyet når det er i kontinuerlig drift, trykk på av/på-knappen en gang til og slipp den.

Hastighetskontroll

Velg stikksag hastigheten ved å vri på hjulet for variabel hastighetskontroll (7) til passende hastighet. Ved å vri hjulet for variabel hastighetskontroll bakover på stikksagen, settes hastigheten ned. Sett hastighetskontrollhjulet til "1" for laveste hastighet, "3" for middels hastighet og "7" for maksimal hastighet.

Bruke Sightline-funksjonen (figur E)

- ◆ Bruk en blyant til å merke skjærelinjen.
- ◆ Plasser stikksagen over linjen (11).

Ved å se rett ned fra oversiden av stikksagen, kan skjærelinjen lett følges.

Skjæremodus

Pendelslag eller f-funksjon gir med aggressiv bladbevegelse og er designet for saging i myke materialer som tre eller plast. Den gir raskere skjæring, men et mindre glatt kutt gjennom materialet. Stikksagen har et hjul for å velge pendelbevegelse. Bruk av dette hjulet er forklart i de neste to avsnittene.

Merk: Pendelbevegelse må aldri brukes til å skjære metall.

Hjul for pendelbevegelse (figur F)

BES610 har fire sagmoduser med økende størrelse på pendelfunksjonen:

- ◆ Posisjon 0: metall, aluminium og metallplater (ingen pendelfunksjon).
- ◆ Posisjon 1: for laminater, hardt tre og arbeidsplater.
- ◆ Posisjon 2: for kryssfiner og PVC/plast.

- ◆ Posisjon 3: for bløtt tre og raske kutt.

Justere pendelbevegelsen:

- ◆ Drei hjulet for pendelbevegelse (6) til ønsket stilling.

Saging

Hold verktøyet stødig med begge hender når du sager. Fotplaten (4) bør holdes fast mot materialet som sages. Dette hindrer at sagen hopper, reduserer vibrasjon og gir minimal fare for bladbrudd.

- ◆ La bladet gå fritt i noen få sekunder før du starter kuttet.
- ◆ Bruk bare et lett press på verktøyet når du kuttet.

Råd for optimal bruk

Rettt hjelpeblad (kun tilgjengelig for modell BES610K)

Når du har behov for rett kutt med ekstra presisjon, kan du bruke det rette hjelpebladet (8a).

Sage i laminat

Når du sager laminat, kan det forekomme oppflising som kan skade overflaten som skal synes. De fleste vanlige sagblad skjærer på oppover-bevegelsen, derfor hvis fotplaten sitter på overflaten som skal synes, bruk enten et sagblad som skjærer på nedover-bevegelsen eller:

- ◆ Bruk et fintannet sagblad.
- ◆ Sag fra den bakre flaten på arbeidsstykket.
- ◆ For minimal dannelse av splinter, klem et stykke treavkapp eller fiberplate på hver sider av arbeidsstykker og sag gjennom denne "sandwichen".

Sage i metall

Advarsel! Ikke bruk støvsuger når du skjærer metall. Metall-spon vil være varme og kan forårsake brann.

Vær oppmerksom på at saging i metall tar mye lenger tid enn saging i tre.

- ◆ Bruk et sagblad som egner seg for metallsaging.
- ◆ Når du kutter i tynne metallplater skal du feste et stykke tre til baksiden av arbeidsstykket og kutte gjennom denne "sandwichen".
- ◆ Smør en oljefilm over hele den planlagte skjærelinjen.

Stikkskjæring (figur H)

Stikkskjæring er en enkel metode å bruke for saging inn i et materiale. Sagen kan settes direkte inn i et panel eller en plate uten først å måtte bore et styrehull. Ved stikkskjæring er det bare å måle opp flaten som skal skjæres og merke den tydelig med en blyant. Tipp deretter sagen fremover til frontenden av fotplaten sitter godt mot arbeidsflaten og bladet går gjennom arbeidsstykket ved full slaglengde. Slå på verktøyet og la det komme opp i maksimum hastighet. Grip dagen godt og senk bakenden av verktøyet langsomt til bladet har nådd full dybde.

Hold fotplaten flat mot treverket og begynte å sage. Ikke fjern bladet fra det utsagede sporet mens den fortsatt er i bevegelse. Bladet må først stoppe helt.

Tilbehør

Verktøyets ytelse avhenger av hva slags tilbehør som brukes. Tilbehør fra BLACK+DECKER er produsert etter høye kvalitetsstandarder og er konstruert for å bedre verktøyets ytelse. Hvis du bruker dette tilbehøret, får du mest mulig ut av verktøyet ditt.

Vedlikehold

BLACK+DECKER-verktøyet ditt er konstruert for å være i drift over lengre tid med et minimum av vedlikehold. For at den skal fungere tilfredsstillende over tid, er det viktig å sørge for riktig stell av verktøyet og regelmessig renhold.

Advarsel! Før du utfører vedlikehold på verktøyet, må du koble fra laderen før du rengjør det.

- ◆ Rengjør ventilasjonsåpningene i verktøyet jevnlig med en myk børste eller tørr klut.
- ◆ Rengjør motorhuset regelmessig med en fuktig klut. Ikke bruk slipende eller løsemiddelbaserte rengjøringsmidler.

Skifte støpsel (bare Storbritannia og Irland)

Dersom du trenger å sette på et nytt støpsel:

- ◆ Kast det gamle støpselet på en trygg måte.
- ◆ Koble den brune ledningen til den strømførende terminalen i det nye støpselet.
- ◆ Koble den blå ledningen til den nøytrale terminalen.

Advarsel! Jordingslederen skal ikke kobles til.

Følg monteringsanvisningen som medfølger støpsler av god kvalitet. Anbefalt sikring: 5 A.

Miljøvern



Separat avfallshåndtering. Produkter og batterier merket med dette symbolet skal ikke kastes i vanlig husholdningsavfall.

Produkter og batterier inneholder materialer som kan gjenbrukes eller gjenvinnes for å redusere behovet for nye råmaterialer.

Vennligst lever elektrisk utstyr og batterier til gjenbruk i henhold til lokale regler. Mer informasjon finner du på www.2helpU.com

Tekniske data

		BES610
Inngangsspenning	V_{AC}	230
Inngangseffekt	W	650
Ubelastet hastighet	min^{-1}	1000 - 3100

		BES610
Maks. skjæredybde		
Tre	mm	90
Stål	mm	8
Aluminium	mm	15
Vekt	kg	2,2

Lydtryknivå i henhold til EN 62841:

Lydtrykk (L_{pA}) 87,7 dB(A), usikkerhet (K) 3 dB(A)Lydeffekt (L_{WA}) 98,7 dB(A), usikkerhet (K) 3 dB(A)

Totale vibrasjonsverdier (triaks vektorsum) bestemt i samsvar med EN 62841:

Saging av plater ($a_{h,v}$) 3,6 m/s², usikkerhet (K) 1,5 m/s²Saging av metallplater ($a_{h,w}$) 5,0 m/s², usikkerhet (K) 1,5 m/s²

EF-samsvarserklæring

MASKINDIREKTIVET



BES610 stikksav

Black & Decker erklærer at disse produktene, som er beskrevet under "Tekniske data", er i samsvar med: 2006/42/EC, EN62841-1:2015, EN62841-2-11:2016.

Disse produktene er også i samsvar med direktiv 2014/30/EU og 2011/65/EU. Hvis du ønsker mer informasjon, kan du kontakte Black & Decker på adressen under eller se baksiden av bruksanvisningen.

Undertegnede er ansvarlig for sammenstillingen av den tekniske filen og fremsetter denne erklæringen på vegne av Black & Decker.

Patrick Diepenbach
Director General, Benelux
Black & Decker,
Egide Walschaertsstraat 14-18
2800 Mechelen, Belgica
31.07.2018

Garanti

Black & Decker er trygg på kvaliteten av produktene sine og tilbyr en 24 måneders garanti fra kjøpsdato. Denne garantierklæringen kommer i tillegg til dine lovbestemte rettigheter og er ikke i konflikt med disse. Garantien er gyldig innen områdene tilhørende medlemslandene i den Europeiske Union (EU) og det Europeiske Frihandelsområdet (EFTA).

For å ta garantien i bruk må kravet være i samsvar med kjøpsbetingelsene fra Black&Decker og du må vise kjøpskvittering til forhandleren eller til et autorisert serviceverksted.

Betingelsene for Black & Deckers 2 års garanti og adressen til din nærmeste autoriserte serviceverksted kan du finne på internett under www.2helpU.com, eller ved å kontakte ditt lokale Black & Decker kontor, adressen er angitt i denne bruksanvisningen.

Besøk våre nettsider på www.blackanddecker.no for å registrere ditt nye Black & Decker-produkt og for å få informasjon om nye produkter og spesialtilbud.

(Oversættelse af de oprindelige instruktioner)

Tilsigtet brug

Din BLACK+ DECKER BES610-stiksav er designet til at save i træ, plastik og metal. Dette værktøj er kun beregnet til privat brug.

Sikkerhedsinstruktioner

Generelle sikkerhedsadvarsler vedrørende elværktøj



Advarsel! Læs alle sikkerhedsadvarsler, instruktioner, illustrationer og specifikationer, der følger med dette elværktøj. Hvis efterfølgende advarsler og instruktioner ikke følges, er der risiko for elektrisk stød, brand og alvorlige kvæstelser.

Gem alle advarsler og instruktioner til fremtidig reference.

Begrebet "elværktøj", der benyttes i nedenstående advarsler, henviser til netdrevet elværktøj (med netledning) eller batteridrevet elværktøj (uden netledning).

1. Sikkerhed i arbejdsområdet

- Hold arbejdsområdet rent og ordentligt oplyst.** Rodede eller mørke områder giver anledning til ulykker.
- Brug ikke elværktøj i eksplosive omgivelser, f.eks. hvor der er brændbare væsker, gasser eller støv.** Elværktøj danner gnister, der kan antænde støv eller dampe.
- Hold børn og andre personer i nærheden på afstand, når der arbejdes med elværktøj.** Distractioner kan medføre, at du mister kontrollen.

2. Elektricitet og sikkerhed

- Elværktøjets stik skal passe til kontakten. Stikket må aldrig modificeres på nogen måde. Undlad at bruge adapterstik sammen med (jordforbundet) elektrisk værktøj.** Umodificerede stik og dertil passende stikkontakter reducerer risikoen for elektrisk stød.

- b. **Undgå kropskontakt med jordforbundne overflader som f.eks. rør, radiatorer, komfurer og køleskabe.** Der er øget risiko for elektrisk stød, hvis din krop er jordforbundet.
- c. **Udsæt ikke elværktøj for regn, og brug det ikke, hvor omgivelserne er våde.** Hvis der trænger vand ind i et elektrisk værktøj, øges risikoen for elektrisk stød.
- d. **Pas på, at ledningen ikke beskadiges. Brug aldrig ledningen til at bære, trække værktøjet eller trække det ud af stikkontakten. Hold ledningen borte fra varme, olie, skarpe kanter og bevægelige dele.**
Beskadigede eller sammenfiltrede ledninger øger risikoen for elektrisk stød.
- e. **Hvis elværktøj benyttes i det fri, skal der benyttes en forlængerledning, som er godkendt til udendørs brug.**
Brug af en ledning, der er egnet til udendørs brug, reducerer risikoen for elektrisk stød.
- f. **Brug en strømkilde med fejlstrømsrelæ, hvis det er nødvendigt at anvende elværktøj på fugtige steder.**
Ved at benytte en fejlstrømsafbryder reduceres risikoen for elektrisk stød.
- 3. Personssikkerhed**
- a. **Vær opmærksom, hold øje med, hvad du laver, og brug elværktøjet fornuftigt.**
Betjen ikke værktøjet, hvis du er træt, påvirket af narkotika, alkohol eller medicin. Et øjeblikvis uopmærksomhed under anvendelse af et elektrisk værktøj kan forårsage alvorlige kvæstelser.
- b. **Brug personligt beskyttelsesudstyr. Bær altid beskyttelsesbriller.** Det er muligt at reducere risikoen for kvæstelser ved alt efter omstændighederne at anvende det passende sikkerhedsudstyr såsom støvmaske, skridsikre sikkerhedssko, sikkerhedshjelm eller høreværn.
- c. **Træf forholdsregler, så utilsigtet start ikke er mulig. Kontrollér, at afbryderkontakten står på slukket, inden værktøjet tilsluttes strømkilden og/eller batteriet, samles op eller bæres.** Når elektrisk værktøj bæres med fingeren på kontakten eller tilsluttes, når kontakten er tændt, giver det anledning til ulykker.
- d. **Fjern indstillingsnøgle eller skruenøgle, inden elværktøjet startes.** En skruenøgle eller anden nøgle, der bliver siddende på en roterende del af elektrisk værktøj, kan give anledning til personskade.
- e. **Stræk dig ikke for langt. Hold hele tiden en god fodstilling og balance.** Dette udgør at du har bedre kontrol over det elektriske værktøj, når uventede situationer opstår.
- f. **Brug egnet arbejdstøj. Bær ikke løst tøj eller smykker. Hold dit hår, tøj og handske væk fra bevægelige dele.**
Løstsiddende tøj, smykker eller langt hår kan blive fanget i bevægelige dele.
- g. **Hvis der kan monteres støvudsugnings- og opsamlingsudstyr, skal dette tilsluttes og benyttes korrekt.** Anvendelse af støvopsamlingsudstyr kan begrænse farer forårsaget af støv.
- h. **Lad ikke kendskab fra hyppig brug af værktøj gøre dig tilbagelænet og ignorere sikkerhedsprincipperne for værktøj.** En skødesløs handling kan forårsage alvorlig personskade inden for en brøkdelt af et sekund.
- 4. Brug og vedligeholdelse af elværktøj**
- a. **Overbelast ikke elværktøjet. Brug det elværktøj, der er bedst egnet til det arbejde, der skal udføres.**
Det korrekte elværktøj klarer opgaven bedre og mere sikkert med den effekt, som det er konstrueret til.
- b. **Brug ikke elværktøjet, hvis afbryderkontakten er defekt.** Alt elektrisk værktøj, der ikke kan kontrolleres med kontakten, er farligt og skal repareres.
- c. **Træk stikket ud af stikkontakten og/eller batteriet inden indstilling, tilbehørsudskiftning eller opbevaring af elværktøjet.** Sådanne forebyggende sikkerhedsforanstaltninger mindsker risikoen for, at værktøjet startes utilsigtet.
- d. **Opbevar ubenyttet elværktøj uden for børns rækkevidde. Lad aldrig personer, der ikke er fortrolige med elværktøjet, eller som ikke har læst denne vejledning, benytte maskinen.**
El-værktøj er farligt i hænderne på personer, som ikke er instrueret i brugen deraf.
- e. **Elværktøj og tilbehør skal vedligeholdes. Kontroller, om bevægelige dele er skæve og ikke sidder fast, og om delene er brækket eller beskadiget, så elværktøjets funktion påvirkes. Hvis det elektriske værktøj er beskadiget, skal det repareres før brug.**
Mange ulykker er forårsaget af dårligt vedligeholdt værktøj.
- f. **Hold skæreværktøj skarpt og rent.** Ordentligt vedligeholdt skæreværktøj med skarpe skærekanter har mindre tilbøjelighed til at binde og er lettere at styre.
- g. **Brug elværktøjet, tilbehøret, værktøjsindsatser osv. i overensstemmelse med disse instruktioner under hensyntagen til arbejdsforholdene og arbejdet, der skal udføres med værktøjet.** Brug af elektrisk værktøj til andre opgaver end dem, det er beregnet til, kan resultere i en farlig situation.
- h. **Hold håndtagene og gribepladerne tørre, rene og fri fra olie og fedtstof.** Glatte håndtag og gribeplader giver ikke mulighed for sikker håndtering og kontrol af værktøjet i uventede situationer.
- 6. Service**
- a. **Lad kun fagkyndige personer reparere elværktøjet og benyt kun originale reservedele.**

Derved sikres det, at værktøjets driftssikkerhed opretholdes.

Yderligere sikkerhedsadvarsler for elværktøj



Advarsel! Yderligere sikkerhedsadvarsler for stiksav og sav med frem- og tilbagegående bevægelse

- ◆ **Hold kun fast i elværktøjet ved hjælp af de isolerede håndtagsflader, når der skal saves i emner, hvor skæreværktøjet kan komme i kontakt med skjulte ledninger.** Hvis skæretilbehøret rammer en strømførende ledning, bliver elværktøjets blotlagte dele strømførende, så brugeren får stød.
- ◆ **Brug klemmer eller en anden praktisk måde på at sikre og støtte arbejdsområdet til et stabilt underlag.** Hvis du holder fast i arbejdsområdet med din hånd eller krop, vil det være ustabil, og det kan medføre, at du mister kontrollen over det.
- ◆ **Hold hænderne på afstand af skæreområdet.** Ræk aldrig ind under arbejdsområdet uanset årsagen. Anbring ikke fingrene i nærheden af klingens med frem- og tilbagegående bevægelser og klingeholderen. Stabiliser ikke saven ved at gribe omkring skoen.
- ◆ **Hold klingerne skarpe.** Sløve klinger kan få saven til at dreje til siden eller gå i stå under tryk. Brug altid den passende type savklinge til arbejdsområdet og skæringstypen.
- ◆ **Når der skæres rør eller ledninger, skal du sørge for, at de er fri for vand, elektriske ledninger mv.**
- ◆ **Rør ikke ved materialet eller klingens umiddelbart efter, at værktøjet har været i brug.** De kan blive meget varme.
- ◆ **Vær opmærksom på skjulte farer. Inden du skærer ind i vægge, gulve eller lofter skal du kontrollere placeringen af ledninger og rør.**
- ◆ **Klingen fortsætter med at bevæge sig, efter at kontakten er sluppet.** Sluk altid for værktøjet, og vent på, at savklingen er stoppet helt, inden værktøjet lægges ned.

Advarsel! Berøring af eller indånding af støvpartikler fra skærearbejder kan udgøre en fare for brugerens og eventuelle tilskuers helbred. Bær en støvmaske, der er specielt designet til beskyttelse mod støv og dampe, og sørg for, at personer, som opholder sig i eller kommer ind i arbejdsområdet, også er beskyttet.

- ◆ Den tilsluttede anvendelse er beskrevet i denne betjeningsvejledning.
- ◆ Hvis der udføres andre opgaver end dem, der anbefales i denne betjeningsvejledning med dette værktøj eller tilbehør eller udstyr, kan det medføre risiko for personskade og/eller beskadigelse af ejendom.

Andres sikkerhed

- ◆ Dette værktøj må ikke anvendes af personer (herunder børn) med fysiske, sansemæssige eller mentale forstyrrelser eller med mangel på erfaring og viden, med mindre de er under opsyn eller har modtaget undervisning mhp. brugen af en person, som er ansvarlig for deres sikkerhed.
- ◆ Børn skal holdes under opsyn for at sikre, at de ikke leger med værktøjet.

Tilbageværende risici

Yderligere restrisici kan opstå, når du bruger værktøjet på en måde, som måske ikke er indeholdt i de vedlagte sikkerhedsadvarsler. Disse risici kan opstå pga. forkert anvendelse, langvarig brug etc.

På trods af overholdelsen af de relevante sikkerhedsregler og brug af sikkerhedsudstyr kan visse restrisici ikke undgås. Disse omfatter:

- ◆ Tilskadekomst forårsaget af berøring af roterende/bevægelige dele.
- ◆ Tilskadekomst forårsaget af udskiftning af dele, klinger eller tilbehør.
- ◆ Tilskadekomst forårsaget af langvarig brug af et værktøj. Ved brug af et værktøj i længere tid, husk at holde jævnlige pauser.
- ◆ Hørenedsættelse.
- ◆ Helbredsmæssige skader på grund af indånding af støv, når du bruger dit værktøj (f.eks.: under arbejde træ, specielt eg, bøg og MDF.)

Vibration

De angivne værdier for udsendelse af vibration anført under de tekniske data og overensstemmelseserklæringen er målt i henhold til standardtestmetoden i EN62841 og kan bruges til at sammenligne ét værktøj med et andet.

Den angivne vibrationsmissionsværdi kan også bruges i forbindelse med en foreløbig vurdering af eksponeringen.

Advarsel! Værdien for vibrationsmission ved faktisk brug af elværktøjet kan afvige fra den angivne værdi afhængig af måden, værktøjet anvendes på. Vibrationsniveauet kan overstige det angivne niveau.

I vurderingen af eksponeringen for vibration med henblik på fastsættelse af sikkerhedsforanstaltninger som krævet i 2002/44/EF til beskyttelse af personer, der jævnligt anvender elværktøj i deres arbejde, skal der tages hensyn til de faktiske betingelser under brugen, og måden værktøjet bruges på, herunder alle arbejdsfaser af snit, f.eks. perioder, hvor værktøjet er slukket, og hvor det kører i tomgang, tillige med startperioderne.

Mærkat på værktøjet

Følgende piktogrammer vises på værktøjet sammen med datokoder:



Advarsel! Brugeren skal læse brugervejledningen for at reducere risikoen for kvæstelser.

Elektricitet og sikkerhed



Denne maskine er dobbelt isoleret. Derfor er jordledning ikke nødvendig. Kontrollér altid, at strømforsyningen svarer til spændingen på mærkepladen.

- ◆ Hvis netledningen beskadiges, skal den udskiftes af producenten eller et autoriseret BLACK+DECKER-værksted, så farlige situationer undgås.

Funktioner

Dette værktøj leveres med nogle eller alle de følgende egenskaber:

1. Afbryderkontakt
 2. Spærreknop
 3. Låsegreb til savklinge
 4. Sål
 5. Støvopsamlingsudgang
 6. Drejeskive til pendulbevægelse
 7. Variabel hastighedsviser
- 7a. LED-arbejdslys

Samling

Advarsel! Kontroller før samling, at værktøjet er slukket og at stikket er taget ud af stikkontakten.

Montering og afmontering af savklingen (fig. A)

- ◆ Hold savklingen (8), så tænderne vender fremad, som vist.
- ◆ Skub låsegrebet (3) væk fra sålen (4).
- ◆ Sæt klingens skaft helt ind i klingeholderen (9) så langt som muligt.
- ◆ Udløs grebet.
- ◆ For at fjerne savklingen (8) skal du skubbe låsegrebet (3) væk fra sålen (4) og trække klingen ud.

Tilslutning af en støvsuger til værktøjet (fig. B)

- ◆ Sæt støvsugerdysen ind i støvudsugningsudgangen (5).

Anvendelse

Justering af sålen ved skråsnit (fig. C, D)

Advarsel! Brug aldrig værktøjet, hvis savsålen er løs eller afmonteret. Sålen (4) kan indstilles til venstre eller højre skråsnit på 45°.

- ◆ Løsn skruen (10).
- ◆ Drej sålen til venstre eller højre til 45° placeringen.
- ◆ Spænd skruen.

Sådan nulstilles sålen (4) til 90° snit:

- ◆ Løsn skruen (10).
- ◆ Drej sålen til midten, og skub den tilbage i positionen 0°.
- ◆ Spænd skruen.

Tænd og sluk (fig. G)

- ◆ Tænd for værktøjet ved at trykke på tænd/sluk-kontakten (1).
- ◆ LED-arbejdslyset (7a) aktiveres.
- ◆ For kontinuerlig drift skal du trykke på tænd/sluk-kontakten (1) og derefter trykke på spærreknappen (2).
- ◆ Sluk for værktøjet ved at slippe tænd/sluk-kontakten. Du slår værktøjet fra under fortsat drift ved igen at trykke på tænd/sluk-kontakten og udløse den.

Trinløs hastighedskontrol

Indstil stiksavhastigheden ved at dreje den hjulet for trinløs hastighedskontrol (7) til den passende hastighed. Når hjulet for trinløs hastighedskontrol drejes mod bagsiden af stiksaven, resulterer det i langsommere hastigheder. Placer drejeskiven for hastighedskontrol ved "1" for den laveste hastighed, "3" for middel hastighed og på "7" for den højeste hastighed.

Sådan bruges sightline-funktionen (fig. E)

- ◆ Brug en blyant til at afmærke skærelinjen.
- ◆ Placer stiksaven over linjen (11).

Ved at se ovenfra og ned på stiksaven er det nemt at følge.

Skæreindstilling

Pendulbevægelse eller handling giver en mere aggressiv klingebevægelse og er udformet til at skære bløde materialer såsom træ eller plastik. Den giver et hurtigere, men mindre blødt snit gennem materialet. Din stiksav har en drejeskive til pendulbevægelse til at indstille pendulbevægelsen. Brugen af denne drejekontakt er forklaret i næste to afsnit.

Bemærk: Brug aldrig pendulbevægelse til savning i metal.

Drejeskive til pendulbevægelse (fig. F)

BES610 har fire skæreindstillinger med stigende mængder pendulbevægelse:

- ◆ Position 0: metal- og aluminium samt metalplader (ingen pendulhandling).
- ◆ Position 1: til laminater, hårdt træ og bordplader.
- ◆ Position 2: til krydsfiner og PVC/plast.
- ◆ Position 3: til blødt træ og hurtig savning.

Sådan indstilles pendulbevægelsen:

- ◆ Drej drejeskiven til valg af pendulbevægelse (6) til den ønskede position.

Savning

Hold godt fast i værktøjet med begge hænder, mens du saver.

Sålen (4) skal holdes fast mod materialet, der saves i. Dette hjælper med at forhindre, at saven springer, reducerer vibration og minimerer klingeødelæggelse.

- ◆ Lad klingen køre frit et par sekunder, inden du begynder savningen.
- ◆ Udøv kun et ganske let tryk mod værktøjet, mens du udfører savningen.

Gode råd mhp. optimal brug

Klinge til lige snit (Kun tilgængelig med BES610K-model)

Brug klinge til lige snit (8a), når du skal skære et lige snit med ekstra præcision.

Skæring i laminater

Der kan opstå splinter, når der skæres i laminat, hvilket kan beskadige forsiden. De mest almindelige savklinger skærer på opad-bevægelsen, og hvis sålen derfor sidder på forsiden, skal du enten bruge en savklinge, som skærer på nedad-bevægelsen eller:

- ◆ Brug en savklinge med fine tænder.
- ◆ Skær fra bagsiden af arbejdsmaterialet.
- ◆ Før at minimere splinter skal du klemme et stykke skrottræ eller træfiberplade til begge sider af arbejdsstykket og save gennem denne sandwich.

Skæring i metal

Advarsel! Brug ikke støvsuger, når der saves i metal. Metal Spåner kan være varme og forårsage brand.

Vær opmærksom på, at skæring i metal tager meget længere tid end skæring i træ.

- ◆ Brug en savklinge der egner sig til skæring i metal.
- ◆ Ved skæring af tynde metalplader skal du klemme et stykke skrottræ til bagstykket af arbejdsstykket og skære igennem denne sandwich.
- ◆ Læg en oliefilm langs den påtænkte skæringslinje.

Indsnit (fig. H)

Et indsnit er en nem måde at lave et indvendigt snit. Saven kan indsættes direkte i et panel eller en plade uden først at bore et spor eller et pilothul. Ved indsnit måles den flade, der skal skæres, og målene markeres tydeligt med en blyant. Vip derefter saven fremad, indtil forsiden af sålen sidder godt på arbejdsfladen, og klingens klarer arbejdet gennem dens fulde bevægelse. Slå værktøjet til og lad det komme op på maksimal hastighed.

Grib saven godt fast, og sænk langsomt værktøjets bagside, indtil klingens når hele dens dybde. Hold sålen fladt imod træet og begynd at skære. Fjern ikke klingens fra snittet, mens den stadig er i bevægelse. Klingens skal være standset helt.

Tilbehør

Værktøjets ydeevne afhænger af det anvendte tilbehør.

Tilbehør fra BLACK+DECKER er fremstillet efter høje kvalitetsstandarder og er designet til at forbedre dit værktøjets ydeevne. Når du bruger dette tilbehør, vil værktøjet yde optimalt.

Vedligeholdelse

Dit BLACK+DECKER-værktøj er beregnet til brug gennem lang tid med et minimum af vedligeholdelse. Vedvarende tilfredsstillende funktion er afhængig af, om apparatet plejes korrekt og rengøres regelmæssigt.

Advarsel! Tag værktøjet ud af stikkontakten, inden værktøjet rengøres.

- ◆ Rengør regelmæssigt værktøjets ventilationshuller med en blød børste eller en tør klud.
- ◆ Rengør med jævne mellemrum motorhuset med en fugtig klud. Der må ikke bruges skuremidler eller opløsningsmidler.

Udskiftning af netstik (kun Storbritannien og Irland)

Hvis et nyt lysnetstik skal monteres:

- ◆ Det gamle stik skal bortskaffes på en sikker måde.
- ◆ Slut den brune ledning til den strømførende klemme på det nye stik.
- ◆ Slut den blå ledning til den neutrale klemme.

Advarsel! Der skal ikke tilsluttes til jordklemmen.

Følg de monteringsinstruktioner, der følger med stik af god kvalitet. Anbefalet sikring: 5 A.

Miljøbeskyttelse



Særskilt bortskaffelse. Produkter og batterier mærket med dette symbol må ikke bortskaffes sammen med normalt husholdningsaffald.

Produkter og batterier indeholder materialer, der kan genvindes eller genbruges og således reducere efterspørgslen efter råvarer.

Genbrug venligst elektriske produkter og batterier i henhold til lokale bestemmelser. Yderligere oplysninger findes på www.2helpU.com

Tekniske data

		BES610
Indgangsspænding	V _{AC}	230
Effektindgang	W	650
Tomgangshastighed	min ⁻¹	1000 - 3100
Maks. skæredybde		
Træ	mm	90
Stål	mm	8
Aluminium	mm	15

		BES610
Vægt	kg	2.2

Lydtrykniveau i henhold til EN 62841:

Lydtryk (L_{pA}) 87,7 dB(A), usikkerhed (K) 3 dB(A)Lydeffekt (L_{WA}) 98,7 dB(A), usikkerhed (K) 3 dB(A)

Samlede værdier for vibration (triaksial vektorsum) i henhold til EN 62841:

Savning i lister ($a_{h,v}$) 3,6 m/s², usikkerhed (K) 1,5 m/s²Savning i metalplader ($a_{h,v}$) 5,0 m/s², usikkerhed (K) 1,5 m/s²

EU-overensstemmelseserklæring

MASKINDIREKTIV



BES610 stiksav

Black & Decker erklærer, at produkterne beskrevet under "Tekniske data" er i overensstemmelse med:

2006/42/EC, EN62841-1:2015, EN62841-2:11:2016.

Disse produkter er endvidere i overensstemmelse med direktiv 2014/30/EU og 2011/65/EU. Kontakt Black & Decker på nedenstående adresse eller se vejledningens bagside for at få yderligere oplysninger.

Undertegnede er ansvarlig for kompilering af den tekniske fil og udsteder denne erklæring på vegne af Black & Decker.

Patrick Diepenbach

Patrick Diepenbach
Director General, Benelux
Black & Decker,
Egide Walschaertsstraat 14-18
2800 Mechelen, Belgica
31/07/2018

Garanti

Black & Decker er overbevist om den gode kvalitet af sine produkter og giver forbrugerne en garanti på 24 måneder fra købsdatoen. Garantien er et tillæg til forbrugerens lovmæssige rettigheder og påvirker ikke disse. Garantien er gyldig inden for medlemsstaterne af Den Europæiske Union og Det Europæiske Frihandelsområde. Når du gør krav på garantien, skal kravet være i overensstemmelse med Black & Decker vilkår og betingelser, og du skal indsende dokumentation for købet til sælgeren eller til en autoriseret reparatør.

Vilkår og betingelser for Black & Decker 2 års garanti og placeringen af dit nærmeste autoriserede serviceværksted kan fås på internettet på www.2helpU.com, eller ved at kontakte dit lokale Black & Decker kontor på den adresse, der er angivet i denne vejledning.

Besøg venligst vores websted www.blackanddecker.co.uk for at registrere dit nye Black & Decker produkt og modtage opdateringer om nye produkter og specielle tilbud.

(Alkuperäisten ohjeiden käännös)

SUOMI

Käyttötarkoitus

BLACK+DECKER BES610 -pistosaha on suunniteltu puun, muovin ja metallin sahaamiseen. Tämä työkalu on Tarkoitettu vain kotikäyttöön.

Turvallisuusohjeet

Sähkötyökalujen yleiset turvavaroitukset



Varoitus! Lue kaikki tämän sähkötyökalun mukana toimitetut varoitukset, käyttöohjeet ja tekniset tiedot. Alla olevien varoitusten ja ohjeiden noudattamisen laiminlyönti saattaa johtaa sähköiskuun, tulipaloon ja/tai vakavaan loukkaantumiseen.

Säästä kaikki varoitukset ja ohjeet tulevaa käyttöä varten. Ohjeissa käytetty käsite "sähkötyökalu" tarkoittaa verkkokäyttöisiä sähkötyökaluja (verkkojohdolla varustettuja) ja akkukäyttöisiä sähkötyökaluja (ilman verkkojohtoa).

1. Työalueen turvallisuus

- Pidä työalue puhtaana ja hyvin valaistuna.** Onnettomuuksia sattuu herkemmin epäsiistissä tai huonosti valaistussa ympäristössä.
- Älä käytä sähkötyökalua räjähdysalttiissa ympäristössä, jossa on syttyvää nestettä, kaasua tai pölyä.** Sähkötyökalujen aiheuttamat kipinät voivat sytyttää pölyn tai kaasut.
- Pidä lapset ja sivulliset loitolla sähkötyökalua käyttäessäsi.** Keskittymiskyvyn herpaantuminen voi aiheuttaa hallinnan menettämisen.

2. Sähköturvallisuus

- Sähkötyökalun pistokkeen on sovittava pistorasiaan. Älä koskaan tee pistokkeeseen mitään muutoksia. Älä yhdistä maadoitettua sähkötyökalua jatkojohtoon.** Sähköiskun vaara vähenee, jos pistokkeisiin ei tehdä muutoksia ja ne yhdistetään vain niille tarkoitettuihin pistorasioihin.
- Vältä koskettamasta maadoitettuja pintoja, kuten putkia, lämpöpattereita, liesiä tai jääkaappeja.** Voit saada sähköiskun, jos kehosi on maadoitettu.

- c. **Älä altista sähkötyökalua sateelle tai kosteudelle.** Sähkötyökaluun menevä vesi lisää sähköiskun vaaraa.
- d. **Älä käsittele virtajohtoa kovakouraisesti. Älä kannata työkaluja sähköjohdosta tai vedä pistoketta pistorasiasta sähköjohdon avulla. Pidä sähköjohto kaukana kuumuudesta, öljystä, terävistä reunoista tai liikkuvista osista.** Vaurioituneet tai sokeutuneet johdot lisäävät sähköiskun vaaraa.
- e. **Käyttäessäsi sähkötyökalua ulkona käytä ainoastaan ulkokäyttöön soveltuvaa jatkojohtoa.** Ulkokäyttöön tarkoitettun sähköjohdon käyttäminen vähentää sähköiskun vaaraa.
- f. **Jos sähkötyökalua on välttämättä käytettävä kosteassa paikassa, käytä vikavirtasuojalla (RCD) suojattua virtalähdettä.** Tämä vähentää sähköiskun vaaraa.
3. **Henkilöturvallisuus**
- a. **Ole valpas, keskity työhön ja noudata tervettä järkeä sähkötyökalun käytössä. Älä käytä tätä työkalua ollessasi väsynyt tai alkoholin, huumeiden tai lääkkeiden vaikutuksen alaisena.** Keskittymisen herpaantuminen hetkeksikin sähkötyökalua käytettäessä voi aiheuttaa vakavan henkilövahingon.
- b. **Käytä henkilökohtaisia suojavarusteita. Käytä aina suojalaseja.** Hengityssuojaimen, liukumattomien turvajalkineiden, kypärän ja kuulonsuojaimen käyttäminen vähentää henkilövahinkojen vaaraa.
- c. **Vältä tahatonta käynnistämistä. Varmista, että kytkin on OFF-asennossa, ennen kuin liität laitteen virtalähteeseen ja/tai akkuun, nostat laitteen tai kannat sitä.** Sähkötyökalun kantaminen sormi virtakytkimellä lisää onnettomuusvaaraa.
- d. **Irrota mahdollinen säätö- tai kiintoavain ennen kuin käynnistät sähkötyökalun.** Sähkötyökalun pyörivään osaan kiinni jäänyt avain voi johtaa loukkaantumiseen.
- e. **Älä kurkota. Huolehdi siitä, että sinulla on koko ajan tukeva jalansija ja hyvä tasapaino.** Näin voit hallita sähkötyökalua paremmin odottamattomissa tilanteissa.
- f. **Käytä tarkoitukseen soveltuvia vaatteita. Älä käytä löysiä vaatteita tai koruja. Pidä hiukset, vaatteet ja kädet loitolla liikkuvista osista.** Löysät vaatteet, korut tai pitkät hiukset voivat tarttua liikkuviin osiin.
- g. **Jos työkalun voi liittää polynimuriin, tarkista, että liitos on tehty asianmukaisesti ja että laitteita käytetään oikealla tavalla.** Pölyn ottaminen talteen voi vähentää pölyn aiheuttamia vaaroja.
- h. **Vaikka työkalujen käyttökokemus olisi huomattava, turvallisuusohjeita ei saa jättää huomioimatta.** Huolimattomuus voi aiheuttaa vakavia henkilövahinkoja sekunnin murto-osassa.
4. **Sähkötyökalujen käyttö ja hoito**
- a. **Älä yliuormita sähkötyökalua. Valitse käyttötarkoituksen kannalta oikea sähkötyökalu.** Sähkötyökalu toimii paremmin ja turvallisemmin, kun sitä käytetään sille suunniteltuun käyttötarkoitukseen.
- b. **Älä käytä sähkötyökalua, jota ei voida käynnistää ja pysäyttää virtakytkimestä.** Jos sähkötyökalua ei voi hallita kytkimen avulla, se on vaarallinen ja se on korjattava.
- c. **Irrota pistotulppa pistorasiasta ja/tai akku laitteesta ennen kuin suoritat säätöjä, vaihdat tarvikkeita tai siirrä sähkötyökalun varastoitavaksi.** Näin voit vähentää vahingossa käynnistymisen aiheuttaman henkilövahingon vaaraa.
- d. **Säilytä sähkötyökalut poissa lasten ulottuvilta, kun niitä ei käytetä. Älä anna sähkötyökalua sellaisen henkilön käyttöön, joka ei tunne sitä tai joka ei ole tutustunut tähän käyttöohjeeseen.** Sähkötyökalut ovat vaarallisia kouluttamattomien käyttäjien käsissä.
- e. **Hoida sähkötyökaluasi ja lisävarusteita huolella.** Tarkista, että liikkuvat osat toimivat moitteettomasti ja etteivät ne ole puristuksessa. Tarkista myös, ettei työkalussa ei ole murtuneita tai vahingoittuneita osia, jotka saattaisivat vaikuttaa haitallisesti sen toimintaan. Jos havaitset vaurioita, korjauta sähkötyökalu ennen niiden käyttämistä. Huonosti kunnossapidetyt sähkötyökalut aiheuttavat onnettomuuksia.
- f. **Pidä leikkausterät terävinä ja puhtaina.** Kunnossa pidettyjen leikkaavia teräviä reunoja sisältävien työkalut todennäköisyys jumiuutta vähenee, ja niitä on helpompi hallita.
- g. **Käytä sähkötyökaluja, tarvikkeita, vaihtoteriä yms. näiden ohjeiden mukaisesti. Ota tällöin huomioon työolosuhteet ja suoritettava toimenpide.** Jos sähkötyökalua käytetään näiden ohjeiden vastaisesti, voi syntyä vaaratilanne.
- h. **Pidä kahvat ja tartuntapinnat kuivina, puhtaina ja öljyttöminä sekä rasvattomina.** Liukkaat kahvat ja tartuntapinnat vaarantavat työkalun turvallisen käsittelyn ja hallinnan odottamattomissa tilanteissa.
6. **Huolto**
- a. **Korjauta sähkötyökalu koulutetulla ja ammattitaitoisella henkilöllä ja hyväksy korjauksiin vain alkuperäisiä varaosia.** Tämä varmistaa sähkötyökalun turvallisuuden.
- Sähkötyökalujen lisäturvavaroitukset**



Varoitus! Lisäturvavaroitukset pistosahoille ja kehysahoille

- ◆ **Pidä sähkötyökäluu eristetyistä kahvoista, kun leikkausväline voi koskettaa piiiolla oleviin johtoihin toimenpiteen aikana.** Terien osuminen jännitteiseen johtoon tekee sen paljaista metalliosista jännitteisiä, joten käyttäjä voi saada sähköiskun.
- ◆ **Käytä puristimia tai muita käytännöllisiä menetelmillä kiinnittäaksesi työstökappaleen tukevasti vakaaseen alustaan.** Työn pitäminen käsin tai vartaloa vasten on epävakaata ja saattaa johtaa kontrollin menetykseen.
- ◆ **Pidä kätesi pois leikkausalueelta.** Älä koskaan kurkottele työstökappaleen alapuolelle. Älä työnnä sormia pyörivän terän ja terän kiinnikkeen läheisyyteen. Älä tue sahaa pitämällä kiinni sahausjalasta.
- ◆ **Pidä terät erävinä.** Tylsät tai vaurioituneet terät voivat aiheuttaa sahan yllättävän kääntymisen tai sakkaamisen paineen alla. Käytä aina asianmukaista sahanterää työstökappaleen materiaalin ja leikkaustyypin mukaan.
- ◆ **Varmista putken tai kanavan leikkaamisen aikana, ettei niissä ole vettä, sähköjohtoja, jne.**
- ◆ **Älä kosketa terää tai sahattua leikkauspintaa heti työkalun käytön jälkeen.** Ne voivat olla erittäin kuumia.
- ◆ **Huomioi piilevät vaarat ennen seinien, lattioiden tai kattojen tai putkien leikkaamista.**
- ◆ **Terän liike jatkuu vielä hetken käyttökytkimen vapauttamisen jälkeen.** Kytke työkalu aina pois päältä ja odota, että sahanterä pysähtyy kokonaan ennen työkalun asettamista alas.

Varoitus! Leikatessa syntyvän pölyn kanssa kosketuksiin joutuminen tai sen hengittäminen saattaa olla haitallista käyttäjän tai lähellä olijojen terveydelle. Käytä hengityssuojainta, joka on tarkoitettu erityisesti suojaautmaan pölyltä ja höyryiltä. Varmista, että myös työalueella olevat ja työalueelle tulevat henkilöt on suojattu.

- ◆ Tarkoitettu käyttö on kuvattu tässä käyttöohjeessa.
- ◆ Muiden kuin ohjeissa suositeltujen lisävarusteiden tai liitososien käyttö tai toimenpiteiden suoritus voi aiheuttaa henkilö- ja/tai omaisuusvahinkoja.

Muiden henkilöiden turvallisuus

- ◆ Tätä työkalua ei ole tarkoitettu sellaisten henkilöiden (mukaan lukien lapset) käyttöön, joilla on fyysisiä, aistillisia tai henkisiä puutteita tai puutteellinen kokemus ja tuntemus, ellei heidän turvallisuudestaan vastuussa oleva henkilö valvo tai ohjaa heitä laitteen käytössä.
- ◆ Lapsia tulee valvoa ja varmistaa, että he eivät leiki laitteella.

Jäännösriskit

Muita jäännösriskkejä voi olla olemassa käyttäessä sähkötyökäluu, jota toimitetut turvallisuusvaroitukset eivät koske. Nämä riskit voivat liittyä muun muassa virheelliseen tai pitkäaikaiseen käyttöön.

Joitakin jäännösriskkejä on olemassa, vaikka vastaavia turvallisuusmääräyksiä noudatettaisiin ja turvavarusteita käytettäisiin. Näitä ovat:

- ◆ Pyörivien tai liikkuvien osien koskettamisen aiheuttamat vahingot.
- ◆ Osia, teriä tai lisävarusteita vaihdettaessa aiheutuneet vahingot.
- ◆ Työkäluun pitkäaikaisen käytön aiheuttamat vahingot. Varmista, että pidät säännöllisesti taukoja työkalun pitkäaikaisen käytön aikana.
- ◆ Kuulon heikkeneminen.
- ◆ Muodostuvan pölyn hengittämisestä aiheutuvat vaarat työkalun käytön aikana (esim. puun työstäminen, erityisesti tammen, pyökin ja rakennekuitulevyn työstö).

Tärinä

Teknisissä tiedoissa ja vaatimustenmukaisuusvakuutuksessa ilmoitettu tärinäpäästöarvo on mitattu EN62841-standardin testausmenetelmän mukaisesti, ja arvoa voi käyttää työkalujen keskinäiseen vertailuun. Ilmoitettua tärinäpäästöarvoa voi käyttää myös alistumisen alustavaan arviointiin.

Varoitus! Sähkötyökäluun käytön aikana mitattu todellinen tärinäpäästöarvo voi poiketa ilmoitetusta tärinäpäästöarvosta työkalun käyttötavan mukaan. Tärinätasoa voi olla ilmoitettua tasoa suurempi.

Kun tärinälle alistumista arvioidaan sen määrittämiseksi, mitä direktiivin 2002/44/EY mukaisia turvatoimenpiteitä vaaditaan sähkötyökäluja säännöllisesti käyttävien henkilöiden suojelemiseksi, tärinälle alistumisen arvioinnissa on otettava huomioon todelliset käyttöolosuhteet ja työkalun käyttötavat. Todellisen käytön lisäksi on kiinnitettävä huomiota myös siihen, milloin työkalu on sammutettuna tai se käy tyhjäkäynnillä.

Työkäluun tarrat

Työkäluussa on seuraavat merkit sekä päivämääräkoodi:



Varoitus! Käyttäjän on luettava käyttöohje vahinkojen välttämiseksi.

Sähköturvallisuus



Tämä laite on kaksoiseristetty, joten erillistä maadoitusta ei tarvita. Tarkista aina, että verkkovirran jännite vastaa tyyppikilpeen merkittyä jännitettä.

- ◆ Jos virtajohto vahingoittuu, sen vaihtaminen on turvallisuusyistä jätettävä valmistajan tai valtuutetun BLACK+DECKER-huollon tehtäväksi.

Yleiskuvasu

Tässä työkalussa on joitakin tai kaikki seuraavista ominaisuuksista:

1. Virtakytkin
 2. Lukituspainike
 3. Sahanterän lukitusvipu
 4. Jalustalevy
 5. Pölynpoistoaukko
 6. Heiluri-iskun valitsin
 7. Säädettävä nopeuden valitsin
- 7a. LED-työvalo

Asennus

Varoitus! Varmista ennen kokoamista, että virta on katkaistu ja että virtajohto on irti pistorasiasta.

Sahanterän asennus ja poisto (kuva A)

- ◆ Pidä sahanterää (8) hampaat eteenpäin kuvan mukaisesti.
- ◆ Työnnä lukitusvipua (3) pois päin jalustalevystä (4).
- ◆ Työnnä terän varsi kokonaan terän kiinnityslaippaan (9).
- ◆ Vapauta vipu.
- ◆ Irrota sahanterä (8) painamalla lukitusvipu (3) pois päin jalustalevystä (4) ja vetämällä terä ulos.

Pölynimurin liittäminen työkaluun (kuva B)

- ◆ Liu'uta pölynimurin suutin pölynpoistoliitäntään (5).

Käyttö

Jalustalevyn säätäminen viistosahausta varten (kuvat C, D)

Varoitus! Älä koskaan käytä työkalua, kun sahan jalustalevy on löysällä tai irrotettu.

Jalustalevy (4) voidaan kääntää vasempaan tai oikeaan 45° kulmaan.

- ◆ Löysää ruuvi (10).
- ◆ Kierrä jalustaa vasemmalle tai oikealle 45° kulmaan.
- ◆ Kiristä ruuvi.

Voit palauttaa jalustalevyn (4) asennon 90 asteen sahauskseen varten seuraavasti:

- ◆ Löysää ruuvi (10).
- ◆ Käännä se keskelle ja paina se takaisin 0 asteen kulmaan.
- ◆ Kiristä ruuvi.

Käynnistäminen ja sammuttaminen (kuva G)

- ◆ Käynnistä laite painamalla virtakytkintä (1).
- ◆ LED-työvalo (7a) syttyy.
- ◆ Jatkuvaa käyttöä varten paina virtakytkintä (1) ja sen jälkeen lukituspainiketta (2).
- ◆ Sammuta laite vapauttamalla virtakytkin. Sammuta työkalu jatkuvan käytön aikana painamalla virtakytkintä uudelleen ja vapauttamalla se.

Nopeudensäätö

Aseta pistosahan nopeus kääntämällä nopeudensäädin (7) oikean nopeuden kohdalle.

Kun nopeudensäädintä käännetään pistosahan takaosaa kohti, nopeus laskee. Aseta nopeudensäädin asentoon "1" alhaisimman nopeuden valitsemiseksi, asentoon "3" keskisuuren nopeuden valitsemiseksi ja asentoon "7" korkeimman nopeuden valitsemiseksi.

Sightline-ominaisuuden käyttäminen (kuva E)

- ◆ Merkitse sahauslinja liyykynnällä.
- ◆ Aseta kuviosaha viivan (11) päälle.

Linjaa voi helposti seurata katsomalla sitä suoraan pistosahan yläpuolelta.

Sahaustila

Heiluri-isku tai -toiminto tuottaa voimakkaamman terän liikkeen ja se on tarkoitettu pehmeiden materiaalien (esim. puu tai muovi) leikkaamiseen. Se nopeuttaa leikkaamista, mutta sahausjälki on tavallista epätasaisempi. Pistosahassa on heiluri-iskun valitsin heiluritoiminnon asettamiseen. Säätimen käyttö on esitelty seuraavissa osioissa.

Huomautus: Älä koskaan käytä heiluritoimintoa metallin sahaamiseen.

Heiluri-iskun säädin (kuva F)

BES610 tarjoaa neljä leikkaustilaa, joiden heiluritoiminto kasvaa:

- ◆ Asento 0: metalli ja alumiini sekä ohuet metallilevyt (ei heiluritoimintoa).
- ◆ Asento 1: laminaatit, kovapuu ja työtasot.
- ◆ Asento 2: vaneri ja PVC/muovit.
- ◆ Asento 3: pehmeä puu ja nopea sahaus.

Heiluritoiminnon säätö:

- ◆ Kierrä heiluri-iskun säädin (6) haluamaasi asentoon.

Sahaus

Pitele sahaa tukevasti molemmin käsin sahauskseen aikana. Jalustalevy (4) on painettava lujasti sahattavaa materiaalia vasten. Tämä auttaa estämään sahan ponnahtamisen ja vähentämään tärinää sekä minimoimaan terän vaurioitumisvaaran.

- ◆ Anna terän liikkua vapaasti muutaman sekunnin ajan, ennen kuin aloitat leikkaamisen.
- ◆ Paina työkalua vain kevyesti leikkaamisen aikana.

Vinkkejä parhaimman tuloksen saavuttamiseksi

Suoraan sahauskseen ohjausterä (saatavilla vain mallissa BES610K)

Erityistä tarkkuutta vaativissa suorissa sahauskissa kannattaa käyttää suoraan sahauskseen ohjausterää (8a).

Laminaattien sahaaminen

Laminaattia sahatessa voi esiintyä säilytymistä, mikä voi vahingoittaa näkyviin jäävää pintaa. Yleisimmät sahanterät leikkaavat ylöspäin suuntautuvalla iskulla.

Jos jalustalevy on täten näkyviin jäävässä pinnassa, käytä joko alaspäin iskulla leikkaavaa sahanterää tai:

- ◆ Käytä pienihampaista sahanterää.
- ◆ Saha työkalupäätä taustapuolelta.
- ◆ Pirstoutumisen minimoimiseksi kiinnitä puinen koekappale tai kova puupala työkalupäleen molemmille puolille, leikkaa sitten niiden koko paksuudelta.

Metallin sahaaminen

Varoitus! Älä käytä pölynpoistoa metallia sahatessasi. Metallin purut ovat hyvin kuumia ja voivat aiheuttaa tulipalon. Ota huomioon, että metallin sahaaminen kestää pitempään kuin puun sahaaminen.

- ◆ Käytä metallin sahaamiseen sopivaa sahanterää.
- ◆ Ohuta metallilevyä sahatessa työstökappaleen taakse tulee kiinnittää puukappale, leikkaa sitten niiden koko paksuudelta.
- ◆ Levitä ohut kerros öljyä aiotulle sahauslinjalle.

Sukellussahaus (kuva H)

Sukellussahaus on helppo tapa tehdä pistoleikkaus. Saha voidaan asettaa suoraan paneeliin tai lavyyn poraamatta ensin suuntaus- tai ohjauseleitä. Mittaa sukellussahaussessa

sahattava pinta ja merkitse se selvästi lyijykynällä. Kallista sitten sahaa eteenpäin, kunnes jalustan etuosaa on hyvin työpintaa vasten ja terä irtoaa työkappaleesta sen koko iskun avulla. Kytke työkalu päälle ja anna sen saavuttaa maksiminopeus.

Tartu sahaan tukevalla otteella ja laske työkalun takareunaa, kunnes terä saavuttaa sen koko syvyyden. Pidä kenkää tasaisesti puuta vasten ja aloita leikkaaminen. Älä poista terää leikkauksesta sen ollessa edelleen liikkeessä. Terän tulee pysähtyä kokonaan.

Lisävarusteet

Työkalun suorituskyky riippuu käytetystä lisävarusteesta. Korkealaatuiset BLACK+DECKER-lisävarusteet on suunniteltu parantamaan työkalun suorituskykyä. Käyttämällä näitä lisävarusteita saat työkalustasi parhaan hyödyn.

Huolto

BLACK+DECKER-työkalu on suunniteltu toimimaan mahdollisimman pitkän aikaa mahdollisimman vähällä huollolla. Oikea käsittely ja säännöllinen puhdistus varmistavat laitteen ongelmattoman toiminnan.

Varoitus! Ennen huoltamista ja puhdistamista työkalu on irrotettava verkkovirrasta.

- ◆ Puhdista laitteen ilma-aukot säännöllisesti pehmeällä harjalla tai kuivalla rievulla.

- ◆ Puhdista moottorin kotelo säännöllisesti kostealla liinalla. Älä käytä hankaavia tai liuotinpohjaisia puhdistusaineita.

Varaverkkopistoke (vain Iso-Britannia ja Irlanti)

Jos uusi verkkopistoke täytyy asentaa:

- ◆ Hävitä vanha pistoke ympäristöystävällisesti.
- ◆ Liitä ruskea johto uuden pistokkeen jännitteeseen napaan.
- ◆ Liitä sininen johto tähtipisteliittimeen.

Varoitus! Maadoitusliittimeen ei tule tehdä liitoksia.

Noudata korkealaatuisten pistokkeiden mukana toimitettuja asennusohjeita.

Suosittelua varoke: 5 A.

Ympäristönsuojelu



Toimita tämä laite erilliskeräykseen. Tällä symbolilla merkityjä tuotteita ja akkuja ei saa hävittää tavallisen kotitalousjätteen mukana.

Tuotteissa ja akuissa on materiaaleja, jotka voidaan ottaa talteen tai kierrättää uudelleen käyttöä varten.

Kierrätä sähkölaitteet ja akut paikallisten määräyksien mukaan. Lisätietoa on saatavilla osoitteessa

www.2helpU.com

Tekniset tiedot

		BES610
Syöttöjännite	V _{AC}	230
Ottoteho	W	650
Kuormittamaton nopeus	min ⁻¹	1000 - 3100
Suurin sahausvyvyys		
Puu	mm	90
Teräs	mm	8
Alumiini	mm	15
Paino	kg	2,2

Äänenpainetaso, määritetty EN 62841 -standardin mukaan:

Äänenpaine (L_{pa}) 87,7 dB(A), epävarmuus (K) 3 dB(A)

Äänitehotaso (L_{wa}) 98,7 dB(A), epävarmuus (K) 3 dB(A)

Tärinän kokonaisarvot (vektorisumma) standardin EN 62841 mukaisesti:

Leikkatessa puulevyjä (a_{h,b}) 3,6 m/s², epävarmuus (K) 1,5 m/s²

Leikkatessa metallilevyjä (a_{h,m}) 5,0 m/s², epävarmuus (K) 1,5 m/s²

EY-vaatimustenmukaisuusvakuutus

KONEDIREKTIIVI



BES610 Pistosaha

Black & Decker ilmoittaa, että tuotteet, jotka on kuvattu kohdassa "Tekniset tiedot" ovat seuraavien direktiivien vaatimusten mukaisia:

2006/42/EY, EN62841-1:2015, EN62841-2-11:2016.

Nämä tuotteet täyttävät myös direktiivien 2014/30/EU ja 2011/65/EU vaatimukset. Lisätietoja saa ottamalla yhteyden Black & Deckeriin seuraavassa osoitteessa. Tiedot ovat myös käyttöohjeen takakannessa.

Allekirjoittaja vastaa teknisistä tiedoista ja antaa tämän vakuutuksen seuraavan yhtiön puolesta:
Black & Decker.

Patrick Diepenbach

Patrick Diepenbach
Director General, Benelux
Black & Decker,
Egide Walschaertsstraat 14-18
2800 Mechelen, Belgica
31.7.2018

Takuu

Black & Decker on vakuuttanut tuotteidensa korkeasta laadusta ja tarjoaa kuluttajille 24 kuukauden takuun, joka astuu voimaan ostopäivänä. Takuu on lisäys kuluttajan laillisiin oikeuksiin eikä vaikuta niihin. Tämä takuu on voimassa kaikissa EU- ja ETA-maissa.

Edellytyksenä takuun saamiselle on, että vaade täyttää Black & Deckerin ehdot ja että ostaja toimittaa ostotositteen jälleenmyyjälle tai valtuutetulle huoltoilikeelle. Black & Deckerin kahden vuoden takuun ehdot ja lähimmän valtuutetun korjauspalvelun yhteystiedot ovat saatavilla osoitteessa www.2helpU.com tai ottamalla yhteyttä paikalliseen Black & Deckerin toimipisteeseen tässä ohjekirjassa ilmoitettuihin osoitteisiin.

Käy verkkosivuiltamme osoitteessa www.blackanddecker.fi ja rekisteröi uusi Black & Decker -tuotteesi saadaksesi tietoa uusista tuotteista ja erikoistarjouksista.

Προβλεπόμενη χρήση

Η σέγα σας BLACK+DECKER BES610 έχει σχεδιαστεί για το πρίόνισμα ξύλου, πλαστικών υλικών και μεταλλικών ελασμάτων. Αυτό το εργαλείο προορίζεται μόνο για ερασιτεχνική χρήση.

Οδηγίες ασφαλείας

Γενικές προειδοποιήσεις ασφαλείας για ηλεκτρικά εργαλεία



Προειδοποίηση! Διαβάστε όλες τις προειδοποιήσεις ασφαλείας, τις οδηγίες, τις απεικονίσεις και τις προδιαγραφές που συνοδεύουν αυτό το ηλεκτρικό εργαλείο. Η μη τήρηση των παρακάτω προειδοποιήσεων και οδηγιών μπορεί να προκαλέσει ηλεκτροπληξία, πυρκαγιά και/ή σοβαρές σωματικές βλάβες.

Φυλάξτε όλες τις προειδοποιήσεις και τις οδηγίες για μελλοντική αναφορά. Ο όρος "ηλεκτρικό εργαλείο" που χρησιμοποιείται σε όλες τις παρακάτω προειδοποιήσεις, αναφέρεται είτε σε εργαλείο που λειτουργεί με ρεύμα δικτύου (ρεύματος - με καλώδιο) είτε σε εργαλείο που λειτουργεί με μπαταρία (μπαταρίας - χωρίς καλώδιο).

1. Ασφάλεια χώρου εργασίας

- α. Διατηρείτε το χώρο εργασίας καθαρό και καλά φωτισμένο. Οι ατακτοποιητοί ή σκοτεινοί χώροι γίνονται αιτίες ατυχημάτων.
- β. Μη χρησιμοποιείτε ηλεκτρικά εργαλεία σε περιβάλλον όπου υπάρχει κίνδυνος έκρηξης, όπως με παρουσία εύφλετων υγρών, αερίων ή σκόνης. Τα ηλεκτρικά εργαλεία παράγουν σπινθήρες που μπορεί να προκαλέσουν ανάφλεξη της σκόνης ή των αναθυμιάσεων.
- γ. Όταν χρησιμοποιείτε ηλεκτρικό εργαλείο, κρατάτε μακριά τα παιδιά και άλλα άτομα. Παράγοντες που αποσπούν την προσοχή μπορεί να σας κάνουν να χάσετε τον έλεγχο.

2. Ασφαλής χρήση ηλεκτρικού ρεύματος

- α. Τα φως των ηλεκτρικών εργαλείων πρέπει να ταιριάζουν στην πρίζα. Σε καμία περίπτωση μην τροποποιήσετε το φως, με κανένα τρόπο. Μη χρησιμοποιείτε φως προσαρμογής με γειωμένα ηλεκτρικά εργαλεία. Τα φως που δεν έχουν υποστεί τροποποιήσεις και οι κατάλληλες πρίζες μειώνουν τον κίνδυνο ηλεκτροπληξίας.
- β. Αποφεύγετε την επαφή του σώματός σας με γειωμένες επιφάνειες, όπως σωλήνες, καλοριφέρ, κουζίνες και ψυγεία. Υπάρχει αυξημένος κίνδυνος ηλεκτροπληξίας αν το σώμα σας είναι γειωμένο.
- γ. Μην εκθέτετε τα ηλεκτρικά εργαλεία σε βροχή ή υγρασία.

- Η διείσδυση νερού σε ένα ηλεκτρικό εργαλείο αυξάνει τον κίνδυνο ηλεκτροπληξίας.
- δ. **Μην κακομεταχειρίζεστε το καλώδιο. Ποτέ μη χρησιμοποιήσετε το καλώδιο για να μεταφέρετε, να τραβήξετε ή να αποσυνδέσετε από την πρίζα το ηλεκτρικό εργαλείο. Κρατάτε το καλώδιο μακριά από θερμότητα, λάδια, αιχμηρά άκρα ή κινούμενα μέρη.** Τα καλώδια που έχουν υποστεί ζημιά ή είναι μπερδεμένα αυξάνουν τον κίνδυνο ηλεκτροπληξίας.
- ε. **Όταν χρησιμοποιείτε ηλεκτρικό εργαλείο σε εξωτερικούς χώρους, να χρησιμοποιείτε πάντοτε καλώδιο επέκτασης κατάλληλο για εργασία σε εξωτερικούς χώρους.** Η χρήση καλωδίου κατάλληλου για εργασία σε εξωτερικούς χώρους μειώνει τον κίνδυνο ηλεκτροπληξίας.
- στ. **Εάν είναι αναπόφευκτη η χρήση ενός ηλεκτρικού εργαλείου σε συνθήκες υγρασίας, χρησιμοποιήστε μια διάταξη προστασίας από ρεύμα διαρροής (RCD).** Η χρήση μιας διάταξης RCD μειώνει τον κίνδυνο ηλεκτροπληξίας.
3. **Προσωπική ασφάλεια**
- α. **Όταν χρησιμοποιείτε ηλεκτρικό εργαλείο, να είστε σε εγρήγορση, να συγκεντρώνεστε στην εργασία που κάνετε και να επιστρατεύετε την κοινή λογική. Μη χρησιμοποιείτε ηλεκτρικό εργαλείο όταν είστε κουρασμένος/ή ή υπό την επήρεια ναρκωτικών, οινοπνεύματος ή φαρμακευτικής αγωγής.** Μια στιγμή απροσεξίας κατά τη χρήση ηλεκτρικών εργαλείων μπορεί να προκαλέσει σοβαρό τραυματισμό.
- β. **Να χρησιμοποιείτε ατομικό εξοπλισμό προστασίας. Πάντα φοράτε προστασία ματιών.** Ο εξοπλισμός προστασίας, όπως μάσκα κατά της σκόνης, αντιολισθητικά παπούτσια ασφαλείας, κράνος ή προστασία ακοής, όταν χρησιμοποιείται για τις κατάλληλες συνθήκες, θα μειώσει τους τραυματισμούς και τις σωματικές βλάβες.
- γ. **Αποτρέψτε την ακούσια ενεργοποίηση. Βεβαιωθείτε ότι ο διακόπτης βρίσκεται στη θέση απενεργοποίησης, πριν συνδέσετε το εργαλείο στην πηγή ρεύματος και/ή τοποθετήσετε το πακέτο μπαταρίας, καθώς και πριν πάρετε στα χέρια σας ή μεταφέρετε το εργαλείο.** Η μεταφορά ηλεκτρικών εργαλείων με το δάχτυλο πάνω στο διακόπτη ή η σύνδεση στο ρεύμα ηλεκτρικών εργαλείων με το διακόπτη στη θέση ενεργοποίησης, ενέχει κινδύνους ατυχημάτων.
- δ. **Πριν θέσετε το ηλεκτρικό εργαλείο σε λειτουργία, αφαιρέστε τυχόν εργαλεία ή κλειδιά ρύθμισης.** Εάν αφήσετε ένα εργαλείο ή κλειδί πάνω σε κάποιο περιστρεφόμενο εξάρτημα του ηλεκτρικού εργαλείου, μπορεί να προκληθούν τραυματισμοί.
- ε. **Μην τεντώνετε υπερβολικά. Διατηρείτε πάντα σταθερή στήριξη στα πόδια σας και καλή ισορροπία.**
- Έτσι μπορείτε να έχετε καλύτερο έλεγχο του ηλεκτρικού εργαλείου σε μη αναμενόμενες καταστάσεις.
- στ. **Φοράτε κατάλληλη ενδυμασία εργασίας. Μη φοράτε φαρδιά ρούχα ούτε κοσμήματα. Κρατάτε τα μαλλιά, τα ρούχα και τα γάντια σας μακριά από κινούμενα μέρη.** Τα φαρδιά ρούχα, τα κοσμήματα και τα μακριά μαλλιά μπορούν να πιαστούν σε κινούμενα μέρη.
- ζ. **Αν παρέχονται διατάξεις για τη σύνδεση συστημάτων απομάκρυνσης και συλλογής της σκόνης, βεβαιωθείτε ότι αυτές είναι συνδεδεμένες και χρησιμοποιούνται σωστά.** Η χρήση διατάξεων συλλογής της σκόνης μπορεί να μειώσει τους κινδύνους που προέρχονται από τη σκόνη.
- η. **Μην αφήνετε την εξοικείωση που έχετε αποκτήσει από τη συχνή χρήση εργαλείων να σας επιτρέψει να εφησυχάσετε ώστε να αγνοείτε τις αρχές ασφαλούς χρήσης των εργαλείων.** Μια απρόσεκτη ενέργεια μπορεί να προκαλέσει βαρύτατο τραυματισμό μέσα σε κλάσματα του δευτερολέπτου.
4. **Χρήση και φροντίδα ηλεκτρικών εργαλείων**
- α. **Μην υπερφορτώνετε το ηλεκτρικό εργαλείο. Χρησιμοποιείτε το σωστό ηλεκτρικό εργαλείο για την εφαρμογή σας.** Το σωστό ηλεκτρικό εργαλείο θα εκτελέσει την εργασία καλύτερα και ασφαλέστερα, με την ένταση χρήσης για την οποία σχεδιάστηκε.
- β. **Μη χρησιμοποιήσετε το ηλεκτρικό εργαλείο αν ο διακόπτης του δεν μπορεί να το ενεργοποιεί και απενεργοποιεί.** Ένα ηλεκτρικό εργαλείο του οποίου η λειτουργία δεν μπορεί να ελεγχθεί με το διακόπτη είναι επικίνδυνο και πρέπει να επισκευαστεί.
- γ. **Αποσυνδέστε το φως από την πηγή ρεύματος και/ή το πακέτο μπαταρίας από το ηλεκτρικό εργαλείο, πριν διεξαγάγετε οποιαδήποτε ρύθμιση, αλλαγή αξεσουάρ ή όταν πρόκειται να αποθηκεύσετε το ηλεκτρικό εργαλείο.** Τέτοια προληπτικά μέτρα ασφαλείας μειώνουν τον κίνδυνο αθέλητης εκκίνησης του ηλεκτρικού εργαλείου.
- δ. **Να φυλάσσετε μακριά από παιδιά τα ηλεκτρικά εργαλεία που δεν χρησιμοποιείτε. Μην αφήνετε να χρησιμοποιήσουν ηλεκτρικό εργαλείο άτομα που δεν είναι εξοικειωμένα με αυτό ή άτομα που δεν έχουν διαβάσει αυτές τις οδηγίες χρήσης.** Τα ηλεκτρικά εργαλεία είναι επικίνδυνα στα χέρια μη εκπαιδευμένων χρηστών.
- ε. **Συντηρείτε τα ηλεκτρικά εργαλεία και τα αξεσουάρ. Ελέγχετε για προβλήματα ευθυγράμμισης ή για μάγκωμα των κινούμενων εξαρτημάτων, θραύση εξαρτημάτων, καθώς και για οποιοδήποτε άλλο πρόβλημα μπορεί να επηρεάσει τη λειτουργία των ηλεκτρικών εργαλείων. Αν το ηλεκτρικό εργαλείο έχει υποστεί ζημιά, φροντίστε να επισκευαστεί πριν το χρησιμοποιήσετε.**

Η ανεπαρκής συντήρηση των ηλεκτρικών εργαλείων αποτελεί αιτία πολλών ατυχημάτων.

στ. Διατηρείτε τα κοπτικά εργαλεία κοφτερά και καθαρά.

Τα κοπτικά εργαλεία με κοφτερές κοπτικές αιχμές που συντηρούνται σωστά έχουν λιγότερες πιθανότητες να μαγκώσουν και ελέγχονται ευκολότερα.

ζ. Να χρησιμοποιείτε το ηλεκτρικό εργαλείο, τα αξεσουάρ και τις μύτες του εργαλείου κλπ. σύμφωνα με τις παρούσες οδηγίες, λαμβάνοντας υπόψη σας τις συνθήκες εργασίας και την εργασία που θέλετε να εκτελέσετε. Η χρήση του ηλεκτρικού εργαλείου για εργασίες διαφορετικές από τις προβλεπόμενες θα μπορούσε να οδηγήσει σε επικίνδυνη κατάσταση.

η. Διατηρείτε τις λαβές και τις επιφάνειες κρατήματος στεγνές, καθαρές και απαλλαγμένες από λάδι και γράσο. Οι ολισθηρές λαβές και επιφάνειες κρατήματος δεν επιτρέπουν τον ασφαλή χειρισμό και έλεγχο του εργαλείου σε μη αναμενόμενες καταστάσεις.

6. Σέρβις

α. Αναθέστε το σέρβις του ηλεκτρικού σας εργαλείου σε εξειδικευμένο τεχνικό επισκευών που χρησιμοποιεί μόνο γνήσια ανταλλακτικά. Έτσι θα εξασφαλίσετε τη διατήρηση της ασφάλειας του ηλεκτρικού εργαλείου.

Πρόσθετες προειδοποιήσεις ασφαλείας για ηλεκτρικά εργαλεία



Προειδοποίηση! Πρόσθετες προειδοποιήσεις ασφαλείας για σέγες και παλινδρομικά πριόνια

- ◆ **Κρατάτε το ηλεκτρικό εργαλείο από μονωμένες επιφάνειες λαβής όταν πραγματοποιείτε μια εργασία όπου το κοπτικό εργαλείο μπορεί να έρθει σε επαφή με κρυφά καλώδια.** Ένα εξάρτημα κοπής το οποίο έρχεται σε επαφή με ηλεκτροφόρο καλώδιο μπορεί να καταστήσει ηλεκτροφόρο και τα εκτεθειμένα μεταλλικά μέρη του ηλεκτρικού εργαλείου και να προκαλέσει ηλεκτροπληξία στο χειριστή του.
- ◆ **Χρησιμοποιείτε σφιγκτήρες ή άλλα πρακτικά μέσα για να στερεώνετε και να υποστηρίζετε το τεμάχιο εργασίας σε ένα σταθερό υπόβαθρο.** Αν κρατάτε το αντικείμενο εργασίας με το χέρι σας ή κόντρα στο σώμα σας, αυτό δεν είναι σταθερό και μπορεί να προκληθεί απώλεια ελέγχου.
- ◆ **Μην πλησιάζετε τα χέρια σας στην περιοχή κοπής.** Ποτέ μην περνάτε τα χέρια σας κάτω από το τεμάχιο εργασίας, για οποιονδήποτε λόγο. Μην πλησιάζετε τα δάχτυλα ή τον αντίχειρά σας κοντά στην παλινδρομικά κινούμενη λάμα και το σφιγκτήρα της λάμας. Μη σταθεροποιείτε το πριόνι κρατώντας το από το πέλδιλο.
- ◆ **Διατηρείτε τις λάμες αιχμηρές.**

Οι λάμες που είναι στομωμένες ή έχουν υποστεί ζημιά μπορεί να προκαλέσουν πλάγια εκτροπή του πριονιού ή ακινητοποίησή του λόγω πίεσης. Πάντα χρησιμοποιείτε τον κατάλληλο τύπο πριονόλαμας για το τεμάχιο εργασίας και τον τύπο της κοπής.

- ◆ **Όταν κόβετε σωλήνα ή προστατευτικό αγωγό προσέχετε να μην περιέχει νερό, ηλεκτρικά καλώδια κλπ.**
- ◆ **Μην αγγίζετε το τεμάχιο εργασίας ή τη λάμα αμέσως μετά τη χρήση του εργαλείου.** Μπορούν να αποκτήσουν υψηλή θερμοκρασία.
- ◆ **Προσέχετε για κρυφούς κινδύνους, πριν κόψετε σε τοίχους, δάπεδα ή οροφές, ελέγχετε για τη θέση καλωδιώσεων και σωλήνων.**
- ◆ **Η λάμα συνεχίζει να κινείται και μετά την απελευθέρωση του διακόπτη.** Απενεργοποιείτε πάντα το εργαλείο και περιμένετε να σταματήσει εντελώς η πριονόλαμα, πριν αφήσετε κάτω το εργαλείο.

Προειδοποίηση! Η επαφή ή η εισπνοή της σκόνης που δημιουργούν οι εφαιρογές κοπής μπορεί να επιφέρουν κίνδυνο για την υγεία του χειριστή και των ατόμων που ενδεχομένως παρευρίσκονται. Φοράτε μάσκα κατά της σκόνης ειδικά σχεδιασμένη για προστασία από τη σκόνη και τις αναθυμιάσεις και βεβαιωθείτε ότι τα άτομα που βρίσκονται ή εισέρχονται στο χώρο εργασίας είναι επίσης προστατευμένα.

- ◆ Η προβλεπόμενη χρήση περιγράφεται στο παρόν εγχειρίδιο οδηγιών.
- ◆ Η χρήση οποιουδήποτε αξεσουάρ ή προσαρτήματος ή η εκτέλεση οποιασδήποτε εργασίας με αυτό το εργαλείο, πέραν των όσων συνιστώνται στο παρόν εγχειρίδιο οδηγιών, μπορεί να παρουσιάσει κίνδυνο τραυματισμού και/ή υλικών ζημιών.

Ασφάλεια τρίτων

- ◆ Αυτό το εργαλείο δεν προορίζεται για χρήση από άτομα (περιλαμβανομένων παιδιών) με μειωμένες σωματικές, αισθητηριακές ή διανοητικές ικανότητες ή με έλλειψη εμπειρίας και γνώσης, εκτός αν σε αυτά έχει παρασχεθεί από άτομο υπεύθυνο για την ασφάλειά τους επίβλεψη ή εκπαίδευση σχετικά με τη χρήση της συσκευής.
- ◆ Τα παιδιά πρέπει να επιτηρούνται, ώστε να διασφαλίζεται ότι δεν παίζουν με τη συσκευή.

Υπολειπόμενοι κίνδυνοι

Κατά τη χρήση του εργαλείου μπορεί να δημιουργηθούν πρόσθετοι υπολειπόμενοι κίνδυνοι, οι οποίοι ενδέχεται να μη συμπεριλαμβάνονται στις προειδοποιήσεις ασφαλείας που εσωκλείονται. Αυτοί οι κίνδυνοι μπορεί να προκληθούν από κακή χρήση, παρατεταμένη χρήση κλπ.

Ακόμα και με την εφαρμογή των σχετικών κανονισμών ασφαλείας και τη χρήση διατάξεων ασφαλείας, ορισμένοι υπολειπόμενοι κίνδυνοι δεν μπορούν να αποφευχθούν. Σε αυτούς περιλαμβάνονται:

- ◆ Τραυματισμοί από επαφή με οποιαδήποτε περιστρεφόμενα/κινούμενα μέρη.
- ◆ Τραυματισμοί κατά την αλλαγή οποιωνδήποτε εξαρτημάτων, λαμών ή αξεσουάρ.
- ◆ Σωματικές βλάβες από παρατεταμένη χρήση εργαλείου. Όταν χρησιμοποιείτε οποιοδήποτε εργαλείο για παρατεταμένα χρονικά διαστήματα, μην παραλείπετε με κανένα τρόπο να κάνετε τακτικά διαλείμματα.
- ◆ Βλάβη της ακοής.
- ◆ Κίνδυνοι υγείας προκαλούμενοι από την εισπνοή σκόνης όταν όταν χρησιμοποιείτε το εργαλείο σας (παραδείγματα: εργασία με ξύλο, και ειδικά με δρυ, οξιά και MDF.)

Κραδασμοί

Η δηλωμένη τιμή εκπομπής κραδασμών που αναφέρεται στα τεχνικά χαρακτηριστικά και τη δήλωση συμμόρφωσης έχει μετρηθεί σύμφωνα με τυποποιημένη μέθοδο δοκιμής που προβλέπεται από το πρότυπο EN62841 και μπορεί να χρησιμοποιηθεί για τη σύγκριση ενός εργαλείου με ένα άλλο. Η δηλωμένη τιμή εκπομπής κραδασμών μπορεί επίσης να χρησιμοποιηθεί σε έναν προκαταρκτικό προσδιορισμό της έκθεσης σε κραδασμούς.

Προειδοποίηση! Στην πράξη, η τιμή εκπομπής κραδασμών κατά την χρήση του ηλεκτρικού εργαλείου μπορεί να διαφέρει από την τιμή που δηλώθηκε, ανάλογα με τον τρόπο που χρησιμοποιείται το εργαλείο. Το επίπεδο κραδασμών μπορεί να αυξηθεί πάνω από το επίπεδο που έχει δηλωθεί. Κατά τον προσδιορισμό της έκθεσης σε κραδασμούς για τον καθορισμό των απαιτούμενων μέτρων ασφαλείας σύμφωνα με την οδηγία 2002/44/EK για την προστασία προσώπων που χρησιμοποιούν συχνά ηλεκτρικά εργαλεία στην εργασία τους, μια προσεγγιστική εκτίμηση της έκθεσης σε κραδασμούς πρέπει να λαμβάνει υπόψη τις πραγματικές συνθήκες χρήσης και τον τρόπο χρήσης του εργαλείου, συμπεριλαμβανομένων και όλων των επιμέρους τμημάτων του κύκλου εργασίας, όπως τα χρονικά διαστήματα που το εργαλείο ήταν εκτός λειτουργίας και τα διαστήματα λειτουργίας χωρίς φορτίο, επιπλέον του χρόνου πίεσης της σκανδάλης.

Ετικέτες πάνω στο εργαλείο

Τα εικονογράμματα που ακολουθούν μαζί με τον ο κωδικό ημερομηνίας εμφανίζονται πάνω στο εργαλείο:



Προειδοποίηση! Για να μειωθεί ο κίνδυνος τραυματισμού, ο χρήστης πρέπει να διαβάσει το χειρίδιο οδηγιών.

Ασφαλής χρήση ηλεκτρικού ρεύματος



Αυτό το εργαλείο φέρει διπλή μόνωση. Επομένως, δεν απαιτείται καλώδιο γείωσης. Ελέγχετε πάντα ότι η παροχή ρεύματος αντιστοιχεί στην τάση που αναφέρεται στην πινακίδα στοιχείων.

- ◆ Αν το καλώδιο ρεύματος έχει υποστεί ζημιά, η αντικατάστασή του πρέπει να γίνει από τον κατασκευαστή ή από ένα εξουσιοδοτημένο κέντρο επισκευών της BLACK+DECKER, ώστε να μην αποτελέσει κίνδυνο.

Χαρακτηριστικά

Το εργαλείο αυτό διαθέτει μερικά ή όλα από τα παρακάτω χαρακτηριστικά:

1. Διακόπτης ενεργοποίησης/ απενεργοποίησης (ON/OFF)
 2. Κουμπί ασφάλισης σε λειτουργία
 3. Μοχλός ασφάλισης πριονόλαμας
 4. Πλάκα πέδιλου
 5. Στόμιο εξαγωγής σκόνης
 6. Περιστροφικός επιλογέας διαδρομής ταλάντωσης
 7. Περιστροφικός επιλογέας ταχύτητας
- 7a. Φως εργασίας LED

Συναρμολόγηση

Προειδοποίηση! Πριν από τη συναρμολόγηση, βεβαιωθείτε ότι το εργαλείο είναι απενεργοποιημένο και ότι το φως δεν είναι συνδεδεμένο στην πρίζα.

Τοποθέτηση και αφαίρεση της πριονόλαμας (εικ. Α)

- ◆ Κρατήστε την πριονόλαμα (8) με τα δόντια της στραμμένα προς τα εμπρός όπως δείχνει η εικόνα.
- ◆ Σπρώξτε το μοχλό κλειδώματος (3) μακριά από την πλάκα πέδιλου (4).
- ◆ Τοποθετήστε το στέλεχος της πριονόλαμας πλήρως μέσα στο κολάρο σφιγκτήρα πριονόλαμας (9) μέχρι το τέρμα της διαδρομής του.
- ◆ Ελευθερώστε το μοχλό.
- ◆ Για να αφαιρέσετε την πριονόλαμα (8), σπρώξτε τον μοχλό ασφάλισης (3) μακριά από την πλάκα πέδιλου (4) και τραβήξτε έξω τη λάμα.

Σύνδεση ηλεκτρικής σκούπας στο εργαλείο (εικ. Β)

- ◆ Τοποθετήστε το στόμιο αναρρόφησης της σκούπας μέσα στην έξοδο απαγωγής σκόνης (5).

Χρήση

Ρύθμιση της πλάκας πέδιλου για φалтскоπές (εικ. C, D)

Προειδοποίηση! Μην χρησιμοποιείτε ποτέ το εργαλείο όταν η πλάκα πέδιλου έχει χαλαρώσει ή έχει αφαιρεθεί.

Η πλάκα πέδιλου (4) μπορεί να ρυθμιστεί για δεξιά ή αριστερή φалтскоπή 45°.

- ◆ Λασκάρετε τη βίδα (10).

- ◆ Περιστρέψτε το πέδιλο προς τα αριστερά ή δεξιά στη θέση 45°.
- ◆ Σφίξτε τη βίδα.

Για να ρυθμίσετε πάλι την πλάκα πέδιλου (4) για τομές 90°:

- ◆ Λασκάρετε τη βίδα (10).
- ◆ Περιστρέψτε το πέδιλο προς το κέντρο και τοποθετήστε πάλι στη θέση 0°.
- ◆ Σφίξτε τη βίδα.

Ενεργοποίηση και απενεργοποίηση (εικ. G)

- ◆ Για να ενεργοποιήσετε το εργαλείο, πατήστε τον διακόπτη on/off (1).
- ◆ Θα ανάψει το φως εργασίας LED (7a).
- ◆ Για συνεχή λειτουργία, πατήστε τον διακόπτη on/off (1) και κατόπιν πατήστε το κουμπί ασφάλισης σε λειτουργία (2).
- ◆ Για να απενεργοποιήσετε το εργαλείο, ελευθερώστε τον διακόπτη on/off. Για να απενεργοποιήσετε το εργαλείο όταν αυτό είναι σε συνεχή λειτουργία, πιάστε πάλι τον διακόπτη on/off και ελευθερώστε τον.

Χειριστήριο ρύθμισης ταχύτητας

Ρυθμίστε την ταχύτητα της σέγας περιστρέφοντας τον τροχό ρύθμισης ταχύτητας (7) στην κατάλληλη ταχύτητα. Περιστρέφοντας τον τροχό ρύθμισης ταχύτητας προς το πίσω μέρος της σέγας ρυθμίζετε μικρότερες ταχύτητες. Τοποθετήστε τον περιστροφικό επιλογέα ταχύτητας στο "1" για την πιο αργή ταχύτητα, στο "3" για μεσαία ταχύτητα και στο "7" για την πιο γρήγορη ταχύτητα.

Τρόπος χρήσης της λειτουργίας γραμμής σκόπευσης (εικ. E)

- ◆ Χρησιμοποιήστε ένα μολύβι για να σημαδέψετε τη γραμμή κοπής.
- ◆ Τοποθετήστε τη σέγα πάνω από τη γραμμή (11).

Βλέποντας κατευθείαν πάνω από τη σέγα, είναι εύκολη η παρακολούθηση της γραμμής.

Λειτουργία κοπής

Η διαδρομή ή δράση ταλάντωσης παρέχει μια πιο επιθετική κίνηση της λάμας και έχει σχεδιαστεί για κοπή σε μαλακά υλικά όπως ξύλο ή πλαστικό. Παρέχει ταχύτερη κοπή, αλλά με λιγότερο λεία κοπή κατά μήκος του υλικού. Η σέγα σας έχει έναν περιστροφικό επιλογέα διαδρομής ταλάντωσης για ρύθμιση της δράσης ταλάντωσης. Η χρήση αυτού του περιστροφικού επιλογέα εξηγείται στα επόμενα δύο τμήματα.

Σημείωση: Ποτέ μην χρησιμοποιείτε τη δράση ταλάντωσης για την κοπή μετάλλου.

Περιστροφικός επιλογέας διαδρομής ταλάντωσης (εικ. F)

Η σέγα BES610 έχει τέσσερις λειτουργίες κοπής με αυξανόμενη δράση ταλάντωσης:

- ◆ Θέση 0: για μέταλλο και αλουμίνιο και μεταλλικά ελάσματα (χωρίς δράση ταλάντωσης).
- ◆ Θέση 1: για πολυστρωματικά (λαμιναρισμένα) υλικά, σκληρό ξύλο, πάγκους εργασίας.
- ◆ Θέση 2: για κόντρα πλακέ και PVC/πλαστικά.
- ◆ Θέση 3: για μαλακό ξύλο και γρήγορες κοπές.

Για να ρυθμίσετε τη δράση ταλάντωσης:

- ◆ Περιστρέψτε τον περιστροφικό επιλογέα δράσης ταλάντωσης (6) στην επιθυμητή θέση.

Πριόνισμα

Κατά την κοπή, κρατάτε το εργαλείο καλά και με τα δύο χέρια. Η πλάκα πέδιλου (4) θα πρέπει να συγκρατείται σταθερά σε επαφή με το υλικό που κόβεται. Έτσι θα αποτραπεί η αναπήδηση του πριονιού, θα μειωθούν οι κραδασμοί και θα ελαχιστοποιηθεί η πιθανότητα θραύσης της λάμας.

- ◆ Αφήστε τη λάμα να κινηθεί ελεύθερα για λίγα δευτερόλεπτα πριν αρχίσετε την κοπή.
- ◆ Κατά την εκτέλεση της κοπής, εφαρμόζετε μόνο μικρή πίεση στο εργαλείο.

Συμβουλές για βέλτιστη χρήση

Λάμα υποβοήθησης ευθύγραμμης κοπής (Διαθέσιμη μόνο με το μοντέλο BES610K)

Όταν χρειάζεστε ευθεία κοπή με πρόσθετη ακρίβεια, χρησιμοποιήστε τη λάμα υποβοήθησης ευθύγραμμης κοπής (8a).

Πριόνισμα λαμιναρισμένων υλικών

Κατά την κοπή λαμιναρισμένων υλικών, μπορεί να επέλθει δημιουργία σκληθρών που θα προκαλέσει ζημιά στην ορατή επιφάνεια. Η πιο συνηθισμένες πριονόλαμες κόβουν στην κίνηση προς τα πάνω. Επομένως αν η πλάκα πέδιλου στηρίζεται στην ορατή πλευρά της επιφάνειας, είτε χρησιμοποιήστε μια πριονόλαμα που κόβει στην κίνηση προς τα κάτω, είτε:

- ◆ Χρησιμοποιήστε πριονόλαμα με λεπτά δόντια.
- ◆ Πριονίζετε από την πίσω επιφάνεια του αντικειμένου εργασίας.
- ◆ Για να ελαχιστοποιήσετε τη δημιουργία σκληθρών, στερεώστε με σύσφιξη ένα άχρηστο ξύλο ή ινσανίδα και στις δύο πλευρές του αντικειμένου εργασίας και κόψτε αυτό το συνδυασμένο υλικό.

Πριόνισμα μετάλλου

Προειδοποίηση! Μην χρησιμοποιείτε ηλεκτρική σκούπα κατά την κοπή μετάλλων. Τα μεταλλικά ρινίσματα είναι θερμά και μπορούν να προκαλέσουν πυρκαγιά. Να ξέρετε ότι το πριόνισμα μετάλλου χρειάζεται πολύ παραπάνω χρόνο από το πριόνισμα ξύλου.

- ◆ Χρησιμοποιείτε μια πριονόλαμα κατάλληλη για το πριόνισμα μετάλλου.

- ♦ Όταν κόβετε λεπτό μεταλλικό έλασμα, στερεώστε με σύσφιξη ένα άχρηστο κομμάτι ξύλο στην πίσω επιφάνεια του αντικειμένου εργασίας και κόψτε αυτό το συνδυασμένο υλικό.
- ♦ Απλώστε μια λεπτή στρώση λαδιού κατά μήκος της γραμμής που σκοπεύετε να κόψετε.

Κοπή διείδυσης (εικ. Η)

Η κοπή διείδυσης είναι μια εύκολη μέθοδος για την εκτέλεση εσωτερικής κοπής. Το πριόνι μπορεί να εισαχθεί απευθείας μέσα σε ένα πλαίσιο ή μια σανίδα χωρίς να χρειάζεται πρώτα διάτρηση οπής-οδηγού. Σε μια κοπή διείδυσης μετρήστε την επιφάνεια προς κοπή και σημαδέψτε την καθαρά με μολύβι. Κατόπιν γείρετε το πριόνι προς τα εμπρός έως ότου το μπροστινό άκρο του πέδιλου στηρίζεται σταθερά στην επιφάνεια εργασίας και η λάμα δεν έρχεται σε επαφή με το αντικείμενο εργασίας σε κανένα σημείο της διαδρομής της. Ενεργοποιήστε το εργαλείο και αφήστε να επιτύχει μέγιστη ταχύτητα. Κρατήστε το πριόνι σταθερά και χαμηλώστε αργά το πίσω άκρο του εργαλείου έως ότου η λάμα φθάσει στο πλήρες βάθος της. Κρατήστε το πέδιλο σταθερά σε πλήρη επαφή με το ξύλο και αρχίστε την κοπή. Μην αφαιρέσετε τη λάμα από την κοπή ενώ κινείται ακόμα. Η λάμα πρέπει να σταματήσει πλήρως.

Αξεσουάρ

Η απόδοση του εργαλείου σας εξαρτάται από το αξεσουάρ που χρησιμοποιείτε. Τα αξεσουάρ της BLACK+DECKER έχουν κατασκευαστεί μηχανικά με βάση πρότυπα υψηλής ποιότητας και είναι σχεδιασμένα να ενισχύουν την απόδοση του εργαλείου σας. Χρησιμοποιώντας αυτά τα αξεσουάρ, θα εξασφαλίσετε την καλύτερη δυνατή απόδοση του εργαλείου σας.

Συντήρηση

Το εργαλείο BLACK+DECKER που έχετε στην κατοχή σας έχει σχεδιαστεί έτσι ώστε να λειτουργεί για μεγάλο χρονικό διάστημα με την ελάχιστη δυνατή συντήρηση. Η συνεχής ικανοποιητική λειτουργία εξαρτάται από τη σωστή φροντίδα και τον τακτικό καθαρισμό του εργαλείου.

Προειδοποίηση! Πριν πραγματοποιήσετε οποιαδήποτε συντήρηση στο εργαλείο, αποσυνδέστε το από τη πρίζα τον καθαρίσετε.

- ♦ Καθαρίζετε τακτικά τις εγκοπές εξαερισμού του εργαλείου με μια μαλακή βούρτσα ή ένα στεγνό πανί.
- ♦ Καθαρίζετε τακτικά το περίβλημα του μοτέρ με ένα ελαφρά υγρό πανί. Μη χρησιμοποιείτε καθαριστικά που χαράζουν ή περιέχουν διαλύτες.

Αντικατάσταση του φιν ρευματοληψίας (Ην. Βασίλειο & Ιρλανδία μόνο)

Αν χρειάζεται να τοποθετηθεί νέο φιν ρευματοληψίας:

- ♦ Απορρίψτε με ασφαλή τρόπο το παλιό φιν.
- ♦ Συνδέστε τον καφέ αγωγό στον ηλεκτροφόρο ακροδέκτη (φάση) του νέου φιν.
- ♦ Συνδέστε τον μπλε αγωγό στον ουδέτερο ακροδέκτη.

Προειδοποίηση! Δεν πρέπει να γίνει καμία σύνδεση στον ακροδέκτη γείωσης. Ακολουθήστε τις οδηγίες συναρμολόγησης που συνοδεύουν τα καλής ποιότητας φιν. Συνιστώμενη ασφάλεια: 5 Α.

Προστασία του περιβάλλοντος



Χωριστή συλλογή. Τα προϊόντα και οι μπαταρίες που επισημαίνονται με αυτό το σύμβολο δεν πρέπει να απορρίπτονται μαζί με τα κανονικά οικιακά απορρίμματα.

Τα προϊόντα και οι μπαταρίες περιέχουν υλικά που μπορούν να ανακτηθούν ή να ανακυκλωθούν ώστε να μειωθούν οι ανάγκες για πρώτες ύλες.

Παρακαλούμε να ανακυκλώνετε τα ηλεκτρικά προϊόντα και τις μπαταρίες σύμφωνα με τους τοπικούς κανονισμούς. Περισσότερες πληροφορίες διατίθενται στον ιστότοπο www.2helpU.com

Τεχνικά δεδομένα

		BES610
Τάση εισόδου	V _{AC}	230
Κατανάλωση ισχύος	W	650
Ταχύτητα χωρίς φορτίο	min ⁻¹	1000 - 3100
Μέγιστο βάθος κοπής		
Ξύλο	mm	90
Χάλυβας	mm	8
Αλουμίνιο	mm	15
Βάρος	kg	2,2

Στάθμη ηχητικής πίεσης σύμφωνα με το EN 62841:

Ηχητική πίεση (L_{PA}) 87,7 dB(A), αβεβαιότητα (K) 3 dB(A)
 Ηχητική ισχύς (L_{WA}) 98,7 dB(A), αβεβαιότητα (K) 3 dB(A)

Συνολικές τιμές κραδασμών (διανυσματικό άθροισμα τριών αξόνων) κατά EN 62841:

Κοπή σανίδων (a_{h,s}) 3,6 m/s², αβεβαιότητα (K) 1,5 m/s²
 Κοπή μεταλλικών ελασμάτων (a_{h,w}) 5,0 m/s², αβεβαιότητα (K) 1,5 m/s²

Δήλωση συμμόρφωσης ΕΚ

ΟΔΗΓΙΑ ΠΕΡΙ ΜΗΧΑΝΗΜΑΤΩΝ



BES610 Σέγα

H Black & Decker δηλώνει ότι τα προϊόντα αυτά που περιγράφονται στα "τεχνικά δεδομένα" συμμορφώνονται με τα ακόλουθα:

2006/42/EK, EN62841-1:2015, EN62841-2-11:2016.

Αυτά τα προϊόντα συμμορφώνονται και με την Οδηγία 2014/30/EE και 2011/65/EE. Για περισσότερες πληροφορίες, επικοινωνήστε με την Black & Decker στην παρακάτω διεύθυνση ή ανατρέξτε στο πίσω μέρος του εγχειριδίου. Ο κάτωθι υπογεγραμμένος είναι υπεύθυνος για την κατάρτιση του τεχνικού φακέλου και κάνει αυτή τη δήλωση για λογαριασμό της Black & Decker.

Patrick Diepenbach

Patrick Diepenbach
Director General, Benelux
Black & Decker,
Egide Walschaertsstraat 14-18
2800 Mechelen, Bélgica

31/07/2018

Εγγύηση

H Black & Decker είναι σίγουρη για την ποιότητα των προϊόντων της και προσφέρει στους καταναλωτές εγγύηση 24 μηνών από την ημερομηνία αγοράς. Αυτή η εγγύηση συμπληρώνει και με κανένα τρόπο δεν παραβλάπτει τα νόμιμα δικαιώματά σας. Η εγγύηση ισχύει εντός της επικράτειας των χωρών μελών της Ευρωπαϊκής Ένωσης και της Ευρωπαϊκής Ζώνης Ελεύθερων Συναλλαγών.

Για να υποβάλετε αξίωση βάσει της εγγύησης, η αξίωση θα πρέπει να είναι σύμφωνη με τους Όρους και προϋποθέσεις της Black & Decker και θα χρειαστεί να υποβάλετε απόδειξη αγοράς στον πωλητή ή σε εξουσιοδοτημένο αντιπρόσωπο επισκευών.

Μπορείτε να αποκτήσετε τους Όρους και προϋποθέσεις της εγγύησης 2 ετών της Black & Decker και να μάθετε την τοποθεσία του πλησιέστερου εξουσιοδοτημένου αντιπροσώπου επισκευών στο Internet στο www.2helpU.com, ή επικοινωνώντας με το τοπικό σας γραφείο Black & Decker στη διεύθυνση που υποδεικνύεται στο παρόν εγχειρίδιο. Παρακαλούμε επισκεφθείτε την ιστοσελίδα μας www.blackanddecker.gr για να καταχωρίσετε το νέο σας προϊόν Black & Decker και για να ενημερώσετε για τα νέα προϊόντα και τις ειδικές προσφορές.

Kullanım amacı

BLACK + DECKER BES610 dekupaj testere ahşap, plastik ve metal kesmek için tasarlanmıştır. Bu alet sadece tüketici kullanımına yöneliktir.

Güvenlik talimatları

Elektrikli el aletleri için genel güvenlik uyarıları



Uyarı! Bu elektrikli aletle verilen tüm güvenlik uyarılarını, talimatları, resimleri ve teknik özellikleri okuyun. Aşağıda listelenen uyarılara ve talimatlara uyulmaması, elektrik çarpması, yangın ve/veya ciddi yaralanmalarla sonuçlanabilir.

Tüm güvenlik uyarılarını ve talimatlarını gelecekte başvurmak için saklayın. Aşağıda listelenen uyarıların tümündeki "güç aracı" terimi, şebeke elektriği ile çalışan (kablolu) güç aracını veya pil ile çalışan (kablesiz) güç aracını ifade eder.

1. Çalışma alanının güvenliği

- Çalışma alanınızı temiz ve aydınlık tutun.** Dağınık ve karanlık alanlar kazaya davetiye çıkarır.
- Elektrikli aletleri, yanıcı sıvılar, gazlar ve tozların bulunduğu yerler gibi yanıcı ortamlarda çalıştırmayın.** Elektrikli aletler tozu veya dumani ateşleyebilecek kıvılcımlar çıkarmaktadır.
- Bir elektrikli aleti çalıştırırken çocuklardan ve etraftaki kişilerden uzak tutun.** Dikkatinizin dağılması kontrolü kaybetmenize neden olabilir.

2. Elektrik güvenliği

- Elektrikli aletlerin fişleri prizlere uygun olmalıdır. Fiş üzerinde kesinlikle hiçbir değişiklik yapmayın. Topraklı elektrikli aletlerde hiçbir adaptör fişi kullanmayın.** Değiştirilmemiş fişler ve uygun prizler elektrik çarpması riskini azaltacaktır.
- Borular, radyatörler, mutfak ocakları ve buz dolapları gibi topraklanmış yüzeylerle vücudunuzun temas etmesini engelleyin.** Vücudunuzun topraklanması halinde yüksek bir elektrik çarpması riski vardır.
- Elektrikli aletleri yağmura maruz bırakmayın veya ıslatmayın.** Elektrikli alete su girmesi elektrik çarpması riskini artırır.
- Elektrik kablосunu uygun olmayan amaçlarla kullanmayın. Elektrikli aleti kesinlikle kablосundan tutarak taşımayın, çekmeyin veya prizden çıkartmayın. Kablویu ısı, yağ, keskin köşeler veya hareketli parçalardan uzak tutun.** Hasarlı veya dolaşmış kablolar elektrik çarpması riskini artırır.
- Elektrikli bir aleti açık havada çalıştırıyorsanız, açık havada kullanıma uygun bir uzatma kablосu kullanın.** Açık havada kullanıma uygun bir kablونun kullanılması elektrik çarpması riskini azaltır.

- f. **Elektrikli aletin nemli ortamda çalıştırılması kaçınılmazsa, bir artık akım cihazı (RCD) korumalı besleme kullanın.** Bir RCD kullanılması elektrik çarpması riskini azaltır.
3. **Kişisel güvenlik**
- a. **Elektrikli bir aleti kullanırken her zaman dikkatli olun, yaptığınız işe yoğunlaşın ve sağduyulu davranın.** Elektrikli bir aleti yorgunken veya ilaç ya da alkolün etkisi altındayken kullanmayın. Elektrikli aletleri kullanırken bir anlık dikkatsizlik ciddi fiziksel yaralanmaya sonuçlanabilir.
- b. **Kişisel koruyucu ekipman kullanın. Daima koruyucu gözlük takın.** Koşullara uygun toz maskesi, kaymayan güvenlik ayakkabıları, baret veya kulaklık gibi koruyucu donanımları kullanılması kişisel yaralanmaları azaltacaktır.
- c. **İstem dışı çalıştırılmasını önleyin. Cihazı güç kaynağına ve/veya bataryaya bağlamadan, yerden kaldırmadan veya taşımadan önce düğmenin kapalı konumda olduğundan emin olun.** Aleti, parmağınız tetik üzerinde bulunacak şekilde taşımak veya açık durumdaki elektrikli aletleri elektrik şebekesine bağlamak kazaya davetiye çıkarır.
- d. **Elektrikli aleti açmadan önce tüm ayarlama anahtarlarını çıkartın.** Elektrikli aletin hareketli bir parçasına takılı kalmış bir anahtar fiziksel yaralanmaya neden olabilir.
- e. **Ulaşmakta zorlandığınız yerlerde kullanmayın. Daima sağlam ve dengeli basın.** Bu, beklenmedik durumlarda elektrikli aletin daha iyi kontrol edilmesine olanak tanır.
- f. **Uygun şekilde giyinin. Bol elbiseler giymeyin ve takı takmayın.** Saçınızı, elbiselerinizi ve eldivenlerinizi hareketli parçalardan uzak tutun. Bol elbiseler ve takılar veya uzun saç hareketli parçalara takılabilir.
- g. **Toz çekme ve toplama araç-gereçlerinin bağlanması için cihazlar verilmesi halinde, bunların uygun biçimde bağlanması ve kullanılmasını sağlayın.** Bu cihazların kullanılması tozla ilgili tehlikeleri azaltabilir.
- h. **Aletlerin sık kullanımından edindiğiniz bilgi birikiminin sizi aşırı rehavete sürüklemesine izin vermeyin ve araç güvenliği ilkelerini göz ardı etmeyin.** Dikkatsiz bir hareket, bir saniyeden bile daha kısa sürede ciddi yaralanmalara neden olabilir.
4. **Elektrikli aletlerin kullanımı ve bakımı**
- a. **Elektrikli aleti zorlamayın. Uygulamanız için doğru elektrikli aleti kullanın.** Doğru elektrikli alet, belirlendiği kapasite ayarında kullanıldığında daha iyi ve güvenli çalışacaktır.
- b. **Tetik açılmasını ve kapanmasını sağlamıyorsa elektrikli aleti kullanmayın.**

- Düğmeyle kontrol edilemeyen tüm elektrikli aletler tehlikelidir ve tamir edilmesi gerekmektedir.
- c. **Herhangi bir ayarlama, aksesuar değişimi veya elektrikli aletlerin saklanması öncesinde fişi güç kaynağından çekin ve/veya bataryayı aletten ayırın.** Bu tür önleyici güvenlik tedbirleri elektrikli aletin istem dışı olarak çalıştırılması riskini azaltacaktır.
- d. **Elektrikli aleti, çocukların ulaşamayacağı yerlerde saklayın ve elektrikli aleti kullanmayı veya bu talimatları bilmeyen kişilerin elektrikli aleti kullanmasına izin vermeyin.** Elektrikli aletler, eğitimsiz kullanıcıların elinde tehlikelidir.
- e. **Elektrikli aletlerin ve aksesuarların bakımını yapın. Hareketli parçaların doğru hizalanıp hizalanmadıklarını veya takılıp takılmadıklarını, parçaların sağlamlığını ve elektrikli aletlerin çalışmasını etkileyebilecek tüm durumları kontrol edin. Hasarlı ise, elektrikli aleti kullanmadan önce tamir ettirin.** Kazaların çoğu, elektrikli aletlerin bakımının yeterli şekilde yapılmamasından kaynaklanır.
- f. **Kesim aletlerini keskin ve temiz tutun.** Bakımı uygun şekilde yapılmış keskin kesim uçlu kesim aletlerinin sıkışma ihtimali daha düşüktür ve kontrol edilmesi daha kolaydır.
- g. **Elektrikli aleti, aksesuarlarını ve aletin diğer parçalarını kullanırken bu talimatlara mutlaka uyun ve çalışma ortamının koşullarını ve yapılacak işin ne olduğunu göz önünde bulundurun.** Elektrikli aletin öngörülen işlemler dışındaki işlemler için kullanılması tehlikeli durumlara neden olabilir.
- h. **Tutamakları ve tutma yerlerini kuru, temiz ve yağdan arındırılmış şekilde muhafaza edin. Kaygan tutamaklar ve yağlı tutma yerleri, beklenmedik durumlarda aletin güvenli olarak taşınmasına ve kontrol edilmesine izin vermez.**
6. **Servis**
- a. **Elektrikli aletinizi, sadece orijinal yedek parçalarını kullandığı yetkili servise tamir ettirin.** Bu, elektrikli aletin güvenliğinin muhafaza edilmesini sağlayacaktır.

Elektrikli aletler için ek güvenlik talimatları



Uyarı! Dekupaj testereleri ve kılıç testereleri için ek güvenlik uyarıları

- ◆ **Kesim aksesuarının, gömülü elektrik kablolarına temas etmesine yol açabilecek durumlarda aleti izole edilmiş saplarından tutun.** Kesici aletin, elektrik akımı bulunan kablolarla temas halinde akım elektrikli aletin iletken metal parçaları üzerinden operatöre iletilerek elektrik çarpmasına yol açabilir.

- ◆ İş parçasını stabil bir yüzeye sabitlemek ve desteklemek için kelepçe veya başka pratik yöntemler kullanın. İş parçasını elle tutmak veya vücudunuza dayamak dengesizliğe ve kontrol kaybına neden olabilir.
- ◆ Ellerinizi kesme alanından uzak tutun. İş parçasının altına doğru kesinlikle uzanmaya çalışmayın. Kılıç testere bıçağı ve bıçak kelepçesinin yakınına parmaklarınızı sokmayın. Testereyi tabanından kavrayarak sabitlemeyin.
- ◆ Bıçakların keskin kalmasını sağlayın. Kör veya hasar görmüş bıçaklar testerenin basınç altında sapmasına veya durmasına neden olabilir. Daima iş parçası malzemesi ve kesim türü için uygun tipte testere bıçağı kullanın.
- ◆ Boru veya tesisat keserken, su, elektrik kabloları vb. bulunmadığından emin olun.
- ◆ Aleti kullandıktan hemen sonra iş parçası veya bıçağı dokunmayın. Çok ısınmış olabilirler.
- ◆ Duvar, zemin veya tavanda delik açmadan önce gizli tehlikelere dikkat edin, kablo ve boruların konumunu kontrol edin.
- ◆ Bıçak, düğme bırakıldıktan sonra da hareket etmeye devam eder. Aleti yere koymadan önce daima kapatın ve testere bıçağının tamamen durmasını bekleyin.

Uyarı! Zımparalama işlemlerinden sonra ortaya çıkan tozla temas edilmesi veya bunun teneffüs edilmesi operatörün ve civarda bulunabilecek kişilerin sağlığını tehlikeye sokabilir. Toz ve dumana karşı koruma için özel tasarlanmış toz maskesi takın ve çalışma sahasından veya sahaya giren kişilerin de korunduğundan emin olun.

- ◆ Kullanım amacı bu kullanma kılavuzunda anlatılmıştır.
- ◆ Herhangi bir aksesuarın veya bağlantının ya da işlemin, bu kılavuzda tavsiye edilen şekilden başka bir şekilde kullanılması ciddi yaralanmalara ve/veya mal kaybına yol açabilir.

Diğer kişilerin güvenliği

- ◆ Bu alet fiziksel ve zihinsel kapasitesinin yanı sıra algılama gücü azalmış olan veya yeterince deneyim ve bilgisi bulunmayan kişiler (çocuklar dahil) tarafından kullanılmak üzere üretilmemiştir. Bu tür kişiler aleti ancak güvenliklerinden sorumlu bir kişi tarafından cihazın kullanımıyla ilgili talimatların verilmesi veya sürekli kontrol altında tutulması durumunda kullanabilir.
- ◆ Cihazla oynamadıklarından emin olmak için çocuklar gözetim altında tutulmalıdır.

Kalıcı riskler

Alet kullanılırken, ekteki güvenlik uyarılarında bulunmayan ek kalıcı riskler oluşabilir. Bu riskler, yanlış kullanım, uzun süreli kullanım vb. sonucu oluşabilir.

İlgili güvenlik talimatlarına uyulması ve güvenlik aletlerinin kullanılması halinde bile bazı kalıcı riskler engellenemeyebilir. Bunlar aşağıdakileri içermektedir:

- ◆ Dönen/hareket eden parçalara dokunma sonucu oluşan yaralanmalar.
- ◆ Parça, bıçak veya aksesuar değiştirirken oluşan yaralanmalar.
- ◆ Aletin uzun süreli kullanılmasıyla oluşan yaralanmalar. Herhangi bir alet uzun süre kullanıldığında düzenli aralar vermeye özen gösterin.
- ◆ İşitme kaybı.
- ◆ Alet kullanılırken oluşan tozun solunmasıyla ortaya çıkan sağlık sorunları (örneğin: ahşap, özellikle meşe, kayın ve MDF ile çalışırken.)

Titreşim

Teknik veriler ve uygunluk beyanati içerisinde belirtilen titreşim emisyon değerleri EN62841 tarafından belirlenen standart bir test yöntemine uygun olarak ölçülmektedir ve diğer bir aletle karşılaştırma yaparken kullanılabilir. Beyan edilen titreşim emisyon değeri aynı zamanda maruz kalmanın önceden değerlendirilmesinde de kullanılabilir.

Uyarı! Elektrikli aletin mevcut kullanım sırasındaki titreşim emisyon değeri, aletin kullanım yöntemine bağlı olarak, beyan edilen değere göre farklılık sergileyebilir. Titreşim düzeyi bildirilen düzeyden yüksek olabilir.

İşinde düzenli olarak elektrikli aleti kullanan kişilerin korunması amacıyla 2002/44/EC uyarınca gerekli kılınan güvenlik önlemlerini tespit etmek için titreşim maruz kalma durumunu değerlendirilirken, yapılan bir titreşim maruz kalma durumunu tahmini esas kullanım koşullarını ve aracın kullanım şeklini dikkate almalıdır, ayrıca çalışma döngüsünün aracın kapalı olduğu süre ve başlama süresine ek olarak rölantide çalıştığı süre gibi tüm kısımlarını da hesaba katmalıdır.

Alet üzerindeki etiketler

Takep eden piktogramlar tarih kodu ile birlikte cihazın üzerinde yer almaktadır:



Uyarı! Yaralanma riskini en aza indirmek için kullanıcı kullanım talimatlarını mutlaka okumalıdır.

Elektrik güvenliği



Bu alet çift yalıtılıdır bu yüzden hiçbir topraklama kablosuna gerek yoktur. Her zaman güç kaynağının, aletin üretim etiketinde voltajla aynı olup olmadığını kontrol edin.

- ◆ Elektrik kablosu zarar görürse, tehlikeli bir durum oluşmasını önlemek için üretici veya yetkili bir BLACK+DECKER Servis Merkezi tarafından değiştirilmesi gerekir.

Özellikler

Bu alet, aşağıdaki özelliklerin bir kısmını veya tümünü içermektedir:

1. Açma/kapama düğmesi
2. Kilitleme butonu
3. Testere bıçağı kilitleme kolu
4. Taban plakası
5. Toz emme çıkışı
6. Sarkaç vuruş göstergesi
7. Değişken hızlı arama
- 7a. LED çalışma ışığı

Montaj

Uyarı! Montajdan önce aletin kapalı ve fişinin çekilmiş olduğundan emin olun.

Testere bıçağının takılması ve çıkartılması (Şekil A)

- ◆ Testere bıçağını (8) gösterildiği gibi dişleri öne bakacak şekilde tutun.
- ◆ Kilitleme kolunu (3) taban plakasından (4) uzağa doğru itin.
- ◆ Bıçağın milini bıçak kelepçesinin (9) içine doğru gittiği yere kadar yerleştirin.
- ◆ Kolu bırakın.
- ◆ Testere bıçağını (8) çıkarmak için, kilitleme kolunu (3) taban plakasından (4) uzağa doğru itin ve bıçağı dışarı çekin.

Alete bir elektrikli süpürge bağlama (Şekil B)

- ◆ Vakum nozulünün toz çıkarma çıkışına (5) kaydırın.

Kullanım

Pabuç plakasının açılı kesimler için ayarlanması (Şekil C, D)

Uyarı! Aleti, testere taban plakası gevşek veya çıkarılmışken kesinlikle kullanmayın.

Taban plakası (4) sol veya sağda 45° eğim açısına ayarlanabilir.

- ◆ Vidayı (10) gevşetin.
- ◆ Tabanı gerektiği şekilde 45° sola veya sağa döndürün.
- ◆ Vidayı sıkın.

Taban plakasını (4) 90° kesimler için sıfırlama:

- ◆ Vidayı (10) gevşetin.
- ◆ Merkeze döndürün ve 0° konumuna geri itin.
- ◆ Vidayı sıkın.

Açma ve kapatma (Şek. G)

- ◆ Aleti açmak için, açma/kapama düğmesine (1) basın.
- ◆ LED çalışma ışığı (7a) devreye girecektir.
- ◆ Sürekli çalışma için, açma/kapama düğmesine (1) ve ardından kilitleme düğmesine (2) basın.
- ◆ Aleti kapatmak için açma/kapama düğmesini bırakın. Aleti durdurmak için, sürekli çalışırken açma/kapama düğmesine bir kez daha basıp bırakın.

Değişken hız kontrolü

Dekupaj testeresinin hızını ayarlamak için değişken hız kontrol çarkını (7) uygun hıza çevirin. Değişken hız kontrol çarkını dekupaj testeresinin arkasına doğru çevirmek daha yavaş hızlara neden olacaktır. Hız kontrol kadranını en düşük hız için "1", orta hız için "3" ve en yüksek hız için "7" konumuna getirin.

Görüş hattı özelliği nasıl kullanılır (Şekil E)

- ◆ Kesme çizgisini işaretlemek için bir kurşun kalem kullanın.
- ◆ Dekupaj testeresini çizginin (11) üzerine konumlandırın. Dekupaj testeresinin hemen üzerinden bakıldığında, kesim hattı kolayca takip edilebilir.

Kesme modu

Sarkaç vuruşu veya hareketi, daha agresif bir bıçak hareketi sağlar ve ahşap veya plastik gibi yumuşak malzemeleri kesmek için tasarlanmıştır. Bu, daha hızlı bir kesim sağlar, ancak malzemede daha pürüzlü bir kesime neden olur. Dekupaj testerenizde sarkaç hareketini ayarlamak için bir sarkaç vuruş göstergesi vardır. Bu göstergenin kullanımı sonraki iki bölümde anlatılmaktadır.

Not: Sarkaç hareketini kesinlikle metal kesmek için kullanmayın.

Sarkaç vuruş göstergesi (Şekil F)

BES610, artan miktarlarda sarkaç hareketi içeren dört kesme moduna sahiptir:

- ◆ Konum 0: metal, alüminyum ve sac metal için (sarkaç hareketi yok).
- ◆ Konum 1: laminatlar, sert ahşap, çalışma tezgahları için.
- ◆ Konum 2: kontrplak ve PVC/Plastikler için.
- ◆ Konum 3: yumuşak ahşap ve hızlı kesim için.

Sarkaç hareketini ayarlamak için:

- ◆ Sarkaç vuruş göstergesi (6) gerekli konuma çevirin.

Testere Kesimi

Kesim yaparken aleti her iki elinizle sıkıca tutun.

Taban plakası (4) kesilen malzemeye sıkıca tutturulmalıdır. Bu, testerenin fırlamasını önler, titremeyi azaltır ve bıçağın kırılma ihtimalini en aza indirir.

- ◆ Kesmeye başlamadan önce bıçağın bir kaç saniye serbest çalışmasına izin verin.
- ◆ Kesme işlemi sırasında alete yalnızca hafif bir baskı uygulayın.

Yararlı tavsiyeler

Düz kesim destek bıçağı (Yalnızca BES610K modelinde mevcuttur)

Ekstra hassasiyetle düz bir kesime ihtiyaç duyduğunuzda, düz kesim destek bıçağını (8a) kullanın.

Laminat kesimi

Laminatları keserken, görünen yüzeyine zarar verebilecek parçalanma meydana gelebilir. En yaygın testere bıçakları yukarı doğru vuruşla kesim yapar, bu nedenle taban plakası görünen yüzeyinde duruyorsa, aşağı doğru vuruşla kesen bir testere bıçağı kullanın veya:

- ◆ İnce dişli bir testere bıçağı kullanın.
- ◆ İş parçasının arka yüzeyinden kesim yapın.
- ◆ Parçalanmayı en aza indirmek için, iş parçasının her iki tarafına bir parça hurda tahta veya sunta koyarak sıkıştırın ve kesim işlemini bu şekilde yapın.

Metal kesme

Uyarı! Metal keserken vakumlu emiş kullanmayın. Metal talaşlar sıcak olduğu için yangına neden olabilir. Metal kesmenin ahşap kesiminden çok daha fazla zaman aldığını unutmayın.

- ◆ Metal kesmeye uygun bir testere bıçağı kullanın.
- ◆ İnce sac levhayı keserken, iş parçasının arka yüzeyine bir parça hurda tahta koyarak sıkıştırın ve kesim işlemini bu şekilde yapın.
- ◆ İstenen kesim hattı boyunca ince bir yağ tabakası sürün.

Daldırarak Kesme (Şekil H)

Daldırarak kesme, içten kesim yapmanın kolay bir yöntemidir. Testere, önceden bir kılavuz veya pilot delik açmadan doğrudan bir panele veya tahtaya yerleştirilebilir. Daldırarak kesme sırasında, kesilecek olan yüzeyi ölçün ve bir kalemle net bir şekilde işaretleyin. Ardından, ayağın ön kenarı çalışma yüzeyine sıkı bir şekilde oturacak ve bıçak tüm vuruşuyla çalışmayı temizleyecek şekilde testereyi geriye doğru yatırın. Aleti açın ve tam hıza erişmesine izin verin. Testereyi sıkıca kavrayın ve bıçak tam uzunluğuna ulaşana kadar aletin arka kenarını yavaşça alçaltın. Ayak tabanını ahşaba karşı tutun ve kesmeye başlayın. Hala hareket ederken bıçağı kesikten çıkarmayın. Bıçak tamamen durmalıdır.

Aksesuarlar

Aletin performansı kullanılan aksesuara bağlıdır. BLACK+DECKER aksesuarları yüksek kalite standartları için üretilmiş ve aletin performansını artırmak amacıyla tasarlanmıştır. Bu aksesuarları kullanarak aletin en iyi performansını alırsınız.

Bakım

BLACK+DECKER aletiniz en az bakımla uzun bir süre çalışacak şekilde tasarlanmıştır. Aletin uzun süre boyunca verimli bir şekilde çalışması, uygun bakımın ve düzenli temizliğin yapılmasına bağlıdır.

Uyarı! Alet üzerinde herhangi bir bakım işlemi gerçekleştirilmeden önce, aletin fişini çekin.

- ◆ Aletinizdeki havalandırma deliklerini, yumuşak bir fırça veya kuru bir bezle düzenli olarak temizleyin.
- ◆ Motor muhafazasını hafif ıslak bir bezle düzenli olarak temizleyin. Aşındırıcı veya çözücü madde içeren temizleyiciler kullanmayın.

Şebeke fişi değiştirme (yalnızca B.K. & İrlanda)

Yeni bir elektrik fişinin takılması gerekiyorsa:

- ◆ Eski fişi güvenli bir şekilde elden çıkartın.
- ◆ Kahverengi kabloyu yeni fişteki elektrik akımı taşıyan uca bağlayın.
- ◆ Mavi kabloyu nötr uca bağlayın.

Uyarı! Topraklama ucuna bağlantı yapılmamalıdır. İyi kalitede fişlerle birlikte verilen bağlantı talimatlarını takip edin. Önerilen sigorta: 5 A.

Çevrenin korunması



Ayrı toplama. Bu sembole işaretlenen ürünler ve bataryalar normal evsel atıklarla birlikte atılmamalıdır.

Ürünler ve bataryalar hammaddede ihtiyacını azaltabilecek şekilde geri kazanılabilir veya geri dönüştürülebilir malzemeler içerir. Lütfen elektrikli aletleri ve bataryaları yerel hükümler doğrultusunda geri dönüşüme tabi tutun. Daha fazla bilgi www.2helpU.com adresinde mevcuttur

Teknik veriler

		BES610
Giriş voltajı	V_{AC}	230
Giriş gücü	U	650
Yüksüz devir	dk^{-1}	1000 - 3100
Maksimum kesme derinliği		
Ahşap	mm	90
Çelik	mm	8
Alüminyum	mm	15
Ağırlık	kg	2,2

EN 62841'e göre ses basıncı düzeyi:

Ses basıncı (L_{pA}) 87,7 dB(A), belirsizlik (K) 3 dB(A)

Ses gücü (L_{WA}) 98,7 dB(A), belirsizlik (K) 3 dB(A)

EN 62841'e uygun olarak titreşim toplam değerleri (triaks vektör toplamı):

Ahşap kesme (a_{hB}) 3,6 m/s^2 , belirsizlik (K) 1,5 m/s^2

İnce sac kesme (a_{hM}) 5,0 m/s^2 , belirsizlik (K) 1,5 m/s^2

AB uyumluk beyanı

MAKİNE YÖNETMELİĞİ

**BES610 Dekupaj testeresi**

Black & Decker, "teknik veriler" altında tanımlanan bu ürünlerin aşağıdakilere uygun olduğunu beyan eder:

2006/42/EC, EN62841-1:2015, EN62841-2-11:2016.

Bu ürünler aynı zamanda 2014/30/EU ve 2011/65/EU Yönetmeliklerine de uygundur. Bu konuda daha ayrıntılı bilgi için, lütfen aşağıdaki adresi kullanarak Black & Decker ile irtibata geçin veya kılavuzun arka kısmına göz atın.

Teknik dosyanın hazırlanmasından aşağıda imzası bulunan kişiler sorumludur ve ilgili kişi bu bildirim Black & Decker adına yapmaktadır.

Patrick Diepenbach
Director General, Benelux
Black & Decker,
Egide Walschaertsstraat 14-18
2800 Mechelen, Belçica
31.07.2018

Garanti


Black & Decker ürünlerinin kalitesine güvendiği için müşterilerine, satın alma tarihinden itibaren 24 ay geçerli bir garanti sunar. Bu garanti yasal haklarınıza bir ek olup bunları hiçbir şekilde etkilemez. Garanti, Avrupa Birliği Üyesi Ülkeler ve Avrupa Serbest Ticaret Bölgesi alanlarında geçerlidir. Garanti hakkını kazanmak için, talebin Black & Decker Şartları ve Koşulları ile uyumlu olması ve satın alma belgenizi satıcıya veya yetkili onarım temsilcisine göndermeniz gerekir. Black & Decker tarafından sunulan 2 yıllık garantinin şartları ve koşullarının yanı sıra en yakın yetkili onarım acentesinin yeri internette www.2helpU.com adresinden veya bu kılavuzda belirtilen adresteki yerel Black & Decker ofisinden öğrenilebilir. Yeni Black & Decker ürününüzü kaydetmek ve yeni ürünlere ve hizmetlere ilişkin güncel haberleri takip etmek için lütfen www.blackanddecker.com.tr adresindeki web sitemizi ziyaret edin.

İTHALATÇI FİRMA

Ünvanı : STANLEY BLACK&DECKER TURKEY ALET ÜRETİM SAN. TİC. LTD.ŞTİ.
Adresi : AND KOZYATAĞI – İçerenköy Mah. Umud Sok. AND Ofis Sit.
 No : 10-12 / 82-83-84 Ataşehir/İstanbul, TURKEY
Telefon No. : 0216 665 29 00
Faks No. : 0216 665 29 01
E-mail : info-tr@sbdinc.com



ÜRÜNÜN

Cinsi :
Markası : 
Modeli :
Seri Numarası :
Garanti Süresi : 2 YIL
Azami Tamir Süresi : 20 İŞ GÜNÜ

SATICI FİRMANIN

Ünvanı :
Adresi :
Telefon No. :
Faks No. :
Fatura Tarih ve No. :
Ürün Teslim Tarihi :
Ürün Teslim Yeri :
Belgeyi Dolduranın Adı Soyadı :

Kaşe - Yetkili İmza

GARANTİ ŞARTLARI

- Garanti süresi, malın teslim tarihinden itibaren başlar ve 2 yıldır.
- Malın bütün parçaları dahil olmak üzere tamamı firmamızın garantisine kapsamındadır.
- Malın ayıplı olduğunun anlaşılması durumunda tüketici, 6502 sayılı Tüketicinin Korunması Hakkında Kanununun 11 inci maddesinde yer alan;
 - Sözleşmeden dönme,
 - Satış bedelinden indirim isteme
 - Ücretsiz onarılmasını isteme
 - Satılanın ayıpsız bir misli ile değiştirilmesini isteme,
 haklarından birini kullanabilir.
- Tüketicinin bu haklardan ücretsiz onarım hakkını seçmesi durumunda satıcı; işçilik masrafı, değiştirilen parça bedeli ya da başka herhangi bir ad altında hiçbir ücret talep etmeksizin malın onarımını yapmak veya yaptırmakla yükümlüdür. Tüketicisi ücretsiz onarım hakkını üretici veya ithalatçıya karşı da kullanabilir.
- Satıcı, üretici ve ithalatçı tüketiciyi bu hakkını kullanmasından müteselsilen sorumludur.
- Tüketicinin, ücretsiz onarım hakkını kullanması halinde malın;
 - Garanti süresi içinde tekrar arızalanması,
 - Tamiri için gereken azami sürenin aşılması,
 - Tamirinin mümkün olmadığının, yetkili servis istasyonu, satıcı, üretici veya ithalatçı tarafından bir raporla belirlenmesi
 durumlarında; tüketici malın bedel iadesini, ayıp oranında bedel indirimini veya imkan varsa malın ayıpsız misli ile değiştirilmesini satıcıdan talep edebilir.
- Satıcı, tüketicinin talebini reddedemez. Bu talebin yerine getirilmemesi durumunda satıcı, üretici ve ithalatçı müteselsilen sorumludur.
- Malın tamir süresi 20 iş gününü geçemez. Bu süre, garanti süresi içerisinde mala ilişkin arızanın yetkili servis istasyonuna veya satıcıya bildiri tarihinde, garanti süresi dışında ise malın yetkili servis istasyonuna teslim tarihinden itibaren başlar. Malın arızasının 10 iş günü içerisinde giderilmemesi halinde, üretici veya ithalatçı; malın tamiri tamamlanıncaya kadar, benzer özelliklere sahip başka bir malı tüketicinin kullanımına tahsis etmek zorundadır. Malın garanti süresi içerisinde arızalanması durumunda, tamirde geçen süre garanti süresine eklenir.
- Malın kullanma kılavuzunda yer alan hususlara aykırı kullanılmasından kaynaklanan arızalar garanti kapsamı dışındadır.
 - Garanti kapsam şartları;
 - Ürün hatalı kullanılmamıştır.
 - Ürün yıpranmamış, hırpalanmamış ve aşınmamıştır.
 - Yetkili olmayan kişilerce tamire çalışılmamıştır.
 - Satın alma belgesi (fatura) ibraz edilmiştir.
 - Ürün, tüm orijinal parçaları ile iade edilmiştir.
- Tüketicisi, garantiden doğan haklarının kullanılması ile ilgili olarak çıkabilecek uyuşmazlıklarda yerleşim yerinin bulunduğu veya tüketici işleminin yapıldığı yerdeki Tüketicisi Hakem Heyetine veya Tüketicisi Mahkemesine başvurabilir.
- Satıcı tarafından bu Garanti Belgesinin verilmemesi durumunda, tüketici Gümrük ve Ticaret Bakanlığı Tüketicinin Korunması ve Piyasa Gözetimi Genel Müdürlüğüne başvurabilir.

EEE Yönetmeliğine uygundur.

SERVİS LİSTESİ

SERVİS ADI	ADRES	TELEFON	İL
Efe Elektrik & Bobinaj	KIZILAY CAD. ULUCAMI SOK. NURAL İŞH.NO:10 EYHAN	0322 351 85 86	ADANA
Katar Bobinaj	Güvenevler Mah. 1. San. Sit. 622 Sok. 6. Blok No:12/A	0272 214 48 64	AFYONKARAHİSAR
Aydemir Bobinaj	OSTİM 1178 SOK. ESKİ SK. 89 YENİMAHALLE	0312 354 29 28	ANKARA
Leveltech Elektronik (Sadece Lazer)	Marmara Sok. 16/8 Şihhiye	0312 36912 86	ANKARA
Tezcan Elektrik Bobinaj	1230/1 SOK. NO:38 OSTİM / ANKARA	0312 354 80 21	ANKARA
Tezcan Elektrik Bobinaj (Şube1)	YENİ SAN. SİT. DEMİR CAD. NO:64 DISKAPI /	0312 311 28 09	ANKARA
Tezcan Elektrik Bobinaj (Şube2)	CALIM SOK. NO: 32/E SİTELER	0312 348 63 88	ANKARA
Tanrıkulu Makina	CUMHURİYET MAHALLESİ, 680. SK. NO:89, 07010 MURATPASA	0242 335 35 82	ANTALYA
Yaşar Bobinaj	ASAGI PAZARCI MAH.1068 SOK. NO: 19	0242 742 44 07	ANTALYA
Özen Bobinaj	ATA MAH. TEPECİK BULVARI NO:39	0256 227 07 07	AYDIN
Karesi Kaynak Merkez	Paşa Alanı, 45. Sk. 10020 Balıkesir Merkez	0266 246 41 01	BALIKESİR
Küre Bobinaj	17 Eylül, Atatürk Cd. No:109, 10200 Bandırma	0266 718 46 79	BALIKESİR
Özkaya bobinaj	Cumhuriyet, 1523. Sk. No:26, 72070 Batman Merkez	04882140046	BATMAN
Garanti Bobinaj	Sanayi Sitesi 28. Blok No:2	0374 215 51 23	BOLU
Vokart Ltd. Şti.	GAZCILAR CAD. ERIKLİ BAHÇE SOK. NO: 7/B/ BURSA	0224 254 48 75	BURSA
Vokart Ltd. Şti. (Şube)	BESEVLER KUCUK SAN. SİT. ERTUGRUL CAD. 13. SATIS BLOK NO:19	0224 441 57 00	BURSA
Başar Bobinaj	Naralık Kemal Mah. Site 3 Sok. No:1A	0286 212 3818	ÇANAKKALE
Emek Bobinaj	Küçük San. Sit. 23. Cad. No:5C	0364 234 68 84	ÇORUM
Aydoğan Bobinaj	SARAYLAR MAH. I. SAN. SİTESİ 158 SOK NO:18 A-B	0258 264 55 15	DENİZLİ
Örsler Bobinaj	AHISINAN CAD. 171 SOK. SEDEF CARSISI NO: 9/10 /	0258 261 42 74	DENİZLİ
Çetsan Elektrik	SAN. SİT. KARAKOL SOK. NO: 1	0412 237 29 04	DİYARBAKIR
Beş Yıldız Servislik Hiz.	KULTUR MAH. ESKİ SAN. CARSISI 792. SOK. NO:27	0380 523 51 59	DÜZCE
Bakırcıoğlu	KARAAGAC MAH. SUMERBANK CAD. NO:18/3	0446 223 09 59	ERZİNCAN
Tepebaşı Teknik	Güllük, Zübeyde Hanım Bv 13/A, 26170 Tepebaşı	0222 323 59 80	ESKİŞEHİR
Hedef Bobinaj	SANAYİ, GOLLUCE CD. NO:16, 27110 SEHİTKAMİL	0342 235 15 05	GAZİANTEP
Umut Servislik Hiz.	DUZİTEPE MAH. ÖMER BATTAL CAD. NO:49 - SAHİNBEY	0342 271 71 26	GAZİANTEP
3B Mekatronik (Sadece Lazer & Akü)	Bahçeşehir, Fulya Sk. No:12/A, 34893 Pendik/İstanbul	0216 390 62 58	İSTANBUL
Altek Mekatronik	İCMELER MAH. ANKARA CAD. ERDOĞAN SOK. NO:5/C	0216 494 03 43	İSTANBUL
ARD Makine	IKTELLİ ORG. SAN. BOL. SARAÇLAR SAN. SİT. 9. BLOK NO: 25	0212 548 24 00	İSTANBUL
EMS Elektrik	FEYZULLAH MH. BAGDAT CD. LİDER SK. NO:3	0216 419 49 93	İSTANBUL
Ermak Bobinaj	PERSEMBE PAZARI CAD. ÖMERAGA SOK NO: 11 BEYOĞLU	0212 252 33 86 -95	İSTANBUL
Fırat Servislik	Tünel Cad. Zincirlihan Sok. No:3/A Karaköy / İSTANBUL	0212 252 93 43	İSTANBUL
Furkan Elektrik	NECİP FAZIL BULVARI KEREM SK. NO:12/B YUKARI DUDULLU	0216 499 26 63	İSTANBUL
Kardeşler Bobinaj	KAGITHANE CADDESİ NO:47 CAGLAYAN	0212 224 97 54	İSTANBUL
Kartek Havalı El Aletleri(Sadece Havalı Grup)	Mescit mah. Demokras cad. Birnes Sanayi Sitesi A 4 Blok no :33, 34859 Tuzla	0216 394 4579	İSTANBUL
Kılıç Teknik Makina	GUZELYURT, YILDIRIM BEYAZIT CD. NO:31, 34524 BEYLİKDUZU	0212 853 77 49	İSTANBUL
Sistem Harita (Sadece Lazer)	PERPA TİC. MERKEZİ KAT:8 B/BLOK NO: 855 OKMEYDANI	0212 222 51 51	İSTANBUL

SERVİS LİSTESİ

SERVİS ADI	ADRES	TELEFON	İL
Efe Elektrik & Bobinaj	KIZILAY CAD. ULUCAMI SOK. NURALIŞH.NO:10 EYHAN	0322 351 85 86	ADANA
Katar Bobinaj	Güvenevler Mah. 1. San. Sit. 622 Sok. 6. Blok No:12/A	0272 214 48 64	AFYONKARAHİSAR
Aydemir Bobinaj	OSTİM 1178 SOK. ESKİ SK. 89 YENİMAHALLE	0312 354 29 28	ANKARA
Leveltech Elektronik (Sadece Lazer)	Marmara Sok. 16/8 Şihhiye	0312 36912 86	ANKARA
Tezcan Elektrik Bobinaj	1230/1 SOK. NO:38 OSTİM / ANKARA	0312 354 80 21	ANKARA
Tezcan Elektrik Bobinaj (Şube1)	YENİ SAN. SİT. DEMİR CAD. NO:64 DISKAPI /	0312 311 28 09	ANKARA
Tezcan Elektrik Bobinaj (Şube2)	CALIM SOK. NO: 32/E SİTELER	0312 348 63 88	ANKARA
Tanrıkulu Makina	CUMHURİYET MAHALLESİ, 680. SK. NO:89, 07010 MURATPASA	0242 335 35 82	ANTALYA
Yaşar Bobinaj	ASAGI PAZARCI MAH.1068 SOK. NO: 19	0242 742 44 07	ANTALYA
Özen Bobinaj	ATA MAH. TEPECİK BULVARI NO:39	0256 227 07 07	AYDIN
Karesi Kaynak Merkez	Paşa Alanı, 45. Sk. 10020 Balıkesir Merkez	0266 246 41 01	BALIKESİR
Küre Bobinaj	17 Eylül, Atatürk Cd. No:109, 10200 Bandırma	0266 718 46 79	BALIKESİR
Özkaya bobinaj	Cumhuriyet, 1523. Sk. No:26, 72070 Batman Merkez	04882140046	BATMAN
Garanti Bobinaj	Sanayi Sitesi 28. Blok No:2	0374 215 51 23	BOLU
Vokart Ltd. Şti.	GAZCILAR CAD. ERİKLİ BAHÇE SOK. NO: 7/B/ BURSA	0224 254 48 75	BURSA
Vokart Ltd. Şti. (Şube)	BESEVLER KUCUK SAN. SRT. EFTUGRUL CAD. 13. SATIS BLOK NO:19	0224 441 57 00	BURSA
Başar Bobinaj	Naralık Kemal Mah. Site 3 Sok. No:1A	0286 212 3818	ÇANAKKALE
Emek Bobinaj	Küçük San. Sit. 23. Cad. No:5C	0364 234 68 84	ÇORUM
Aydoğan Bobinaj	SARAYLAR MAH. I. SAN. SİTESİ 158 SOK NO:18 A-B	0258 264 55 15	DENİZLİ
Örsler Bobinaj	AHISINAN CAD. 171 SOK. SEDEF CARSISI NO: 9/10 /	0258 261 42 74	DENİZLİ
Çetsan Elektrik	SAN. SİT. KARAKOL SOK. NO: 1	0412 237 29 04	DİYARBAKIR
Beş Yıldız Servislik Hiz.	KULTUR MAH. ESKİ SAN. CARSISI 792. SOK. NO:27	0380 523 51 59	DÜZCE
Bakırcıoğlu	KARAAGAC MAH. SUMERBANK CAD. NO:18/3	0446 223 09 59	ERZİNCAN
Tepebaşı Teknik	Güllük, Zübeyde Hanım Bv/ 13/A, 26170 Tepebaşı	0222 323 59 80	ESKİŞEHİR
Hedef Bobinaj	SANAYI, GOLLUCE CD. NO:16, 27110 SEHİTKAMİL	0342 235 15 05	GAZİANTEP
Umut Servislik Hiz.	DUZTEPE MAH. OMER BATTAL CAD. NO:49 - SAHINBEY	0342 271 71 26	GAZİANTEP
3B Mekatronik (Sadece Lazer & Akü)	Bahçeşehir, Fulya Sk. No:12/A, 34893 Pendik/İstanbul	0216 390 62 58	İSTANBUL
Altek Mekatronik	İCMELER MAH. ANKARA CAD. ERDOĞAN SOK. NO:5/C	0216 494 03 43	İSTANBUL
ARD Makine	IKTELLİ ORG. SAN. BOL. SARAÇLAR SAN. SİT. 9. BLOK NO: 25	0212 548 24 00	İSTANBUL
EMS Elektrik	FEYZULLAH MH. BAGDAT CD. LİDER SK. NO:3	0216 419 49 93	İSTANBUL
Ermak Bobinaj	PERSEMBE PAZARI CAD. OMERAGA SOK NO: 11 BEYOĞLU	0212 252 33 86 -95	İSTANBUL
Fırat Servislik	Tünel Cad. Zincirlihan Sok. No:3/A Karaköy / İSTANBUL	0212 252 93 43	İSTANBUL
Furkan Elektrik	NECİP FAZIL BULVARI KEREM SK. NO:12/B YUKARI DUDULLU	0216 499 26 63	İSTANBUL
Kardeşler Bobinaj	KAGITHANE CADDESİ NO:47 CAGLAYAN	0212 224 97 54	İSTANBUL
Kartek Havalı El Aletleri(Sadece Havalı Grup)	Mescit mah. Demokras cad. Birnes Sanayi Sitesi A 4 Blok no :33, 34859 Tuzla	0216 394 4579	İSTANBUL
Kılıç Teknik Makina	GUZELYURT, YILDIRIM BEYAZIT CD. NO:31, 34524 BEYLİKDÜZÜ	0212 853 77 49	İSTANBUL
Sistem Harita (Sadece Lazer)	PERPA TİC. MERKEZİ KAT:8 B/BLOK NO: 855 OKMEYDANI	0212 222 51 51	İSTANBUL


SERVİS LİSTESİ

SERVİS ADI	ADRES	TELEFON	İL
TRK Makina	BAGDAT CAD. ADALISOK NO:8 / İSTANBUL	0216 305 44 43	İSTANBUL
Zirve Teknik	TURGUT REİS MAH. FATİH BULVARI NO: 394/C	0216 419 24 33	İSTANBUL
Kent Bobinaj	ATA SANAYİ SİTESİ NO:50	0 232 328 10 33	İZMİR
Ulusal Teknik Servis	1203 SK. No: 18/C Balınlı İş Merkezi Yenışehir	0232 469 35 33	İZMİR
Damla Elektrik Bobinaj	Hürriyet Mah. Aktaş Cad. No: 17/B	0370 412 77 00	KARABÜK
Teknik Bobinaj	INONU MAH. İNEBOLU CAD. NO: 132 / KASTAMONU	0366 212 62 26	KASTAMONU
Akın Elektrik Bobinaj	AGACISLARI SAN. SİT. 29. CAD. NO:84 MELİKGAZI / KAYSERİ	0352 311 41 74	KAYSERİ
Akın Elektrik Bobinaj -MA	ESKİ SAN. BÖLGESİ 5. CAD. NO:8 / KAYSERİ	0352 336 41 23	KAYSERİ
Efe Elektrik Bobinaj	KORFEZ SAN. SİT. 12. BLOK NO: 11 / KOCAELİ	0262 335 18 94	KOCAELİ
Gülsoy Bobinaj	S. Orhan Mah. İlyas Bey Cad. 1111 Sok. No: 5/1	0262 646 92 49	KOCAELİ
Sözenler Bobinaj	FEVZİ CAKMAK MAH. KOMİSAN İS MERKEZİ ANAMUR 10562.SOK. NO:8	0332 342 63 18	KONYA
Ören Elektrik Elektronik	Öshan Sanayi Sitesi 38. Blok No : 14 Yeşilyurt	0544 979 99 91	MALATYA
Coşkun Bobinaj	MAHMUDDIYE MAH. 4810 SOK. NO: 68 / MERSİN	0324 337 31 61	MERSİN
Uysal bobinaj	ÇATALARIK MH TURGUT ÖZAL CD NO99/B FETHİYE	0538 794 81 64	MUGLA(Fethiye)
Başaran Teknik	Çarşhbi, Bedhbi Caddesi, 233. Sk. D:No :1, 48700 Marmaris/Mugla	0252 419 20 29	MUĞLA
Gezer Bobinaj	BAHÇELEVLER MAHZEYYAD MANDALINCI CDSAN SİT NO4-C	0252 382 41 70	MUĞLA
Uzman Bobinaj	Merkez Mahallesi Atatürk Cad. No: 22, A Yalıkkavak , MUĞLA	0252 385 55 59	MUĞLA
Öztekbir Bobinaj	YENİ SAN. SİT. 7. BLOK NO:45	0530 086 08 66	NEVŞEHİR
Üçgül Bobinaj - Ömer Üçgül	BURHAN MH. ESKİ SANAYİ 1. SK. NO:6	0534 386 40 09	NİĞDE
Çemberci Bobinaj	ENGİNDERE MAH SANAYİ SİTESİ F BLOK NO:20	0464 217 45 00	RİZE
2V Mekatronik	GUNEY MOBİLYACILAR SAN. 1288 SOK. NO:22/A ERENLER/	0264 666 18 19	SAKARYA
İr Makina	İSTIKAL MAH. FEVZİPASA CAD. NO:36 / SAKARYA	0264 279 0181	SAKARYA
Akış Bobinaj	ULUS CAD. SAN. SİT. KERESTECİLER KİSİMİ NO: 40	0362 238 07 23	SAMSUN
Mert Elektrik-Ömer Mert	DEMİRCİLER ARDI MH. CAFERBEY CD. NO:7/B -SİVAS	0542 732 39 58	SİVAS
Ay Elektrik	Samsat Kapıavşaroglu Garajı No:7	0414 215 74 76	ŞANLIURFA
Ozyl elektrik	KUÇUK SANAYİ SİTESİ FEVZİPASA MAH. HAYRİBAĞUR CAD. 6. BLOK NO:7 -62	0282 726 67 04	TEKİRDAĞ
Çetin Elektrik Bobinaj	San. Sİt. Camii Ali No: 22	0356 214 63 07	TOKAT
Makina Market	SANAYİ MAHALLESİ DOST SOKAK NO 30 ORTA HİSAR TRABZON	0462) 328 14 80	TRABZON
Özen Elektrik Bobinaj	Vali Mithatbey Mah. Koşbey Cad. Armoni İş Merkezi No:23	0432 214 22 27	VAN
Deniz El. Ser. Hizmetleri	Hürriyet Mah. Devlet Yolu Üzeri No: 54/1 Merkez - Yalova	0226 461 22 43	YALOVA

NOT 1 : Yetkili Servis listesi özel koşullar çerçevesinde güncellenmektedir. Bu sebeple en güncel halini sorgulamak için 0216 912 2313 numaralı Stanley Black & Decker Çağrı Merkezini arayabilirsiniz.








StanleyBlack&Decker

Çağrı Merkezi
0216 **912 23 13**



België/Belgique/Luxembourg www.blackanddecker.be enduser.be@sbdinc.com	Stanley Black & Decker Belgium BVBA Egide Walschaertsstraat 16 2800 Mechelen	Tel. NL +32 15 47 37 65 Tel. FR +32 15 47 37 66 Fax. +32 15 47 37 99
Danmark	Black & Decker Roskildevej 22 2620 Albertslund	kundeservice.dk@sbdinc.com www.blackanddecker.dk
Deutschland www.blackanddecker.de infobfge@sdbinc.com	Stanley Black & Decker Deutschland GmbH Black & Decker Str. 40, D - 65510 Idstein	Tel. 06126 21-0 Fax 06126 21-2980
Ελλάδα www.blackanddecker.gr greece.service@sbdinc.com	Stanley Black & Decker (ΕΛΛΑΣ) Ε.Π.Ε ΓΡΑΦΕΙΑ: Σπύριδωνος 7 & Βουλιαγμένης 166 74 Γλυφάδα - Αθήνα	Τηλ. 210-8981616 Φαξ 210-8983570
SERVICE:	Ημερος Τόπος 2 -Χάνι Αδάμ 193 00 Ασπρόπυργος - Αθήνα	Τηλ. Service 210-8985208 Φαξ 210-5597598
España www.blackanddecker.es respuesta.posventa@sbdinc.com	Stanley Black & Decker Ibérica, S.C.A. Parc de Negocis "Mas Blau" Edificio Muntadas, c/Bergadá, 1, Of. A6 08820 El Prat de Llobregat (Barcelona)	Tel. 934 797 400 Fax 934 797 419
France www.blackanddecker.fr	Black & Decker (France) S.A.S. 5 allée des Hêtres B.P. 30084 69579 Limonest Cédex	Tel. 04 72 20 39 20 Fax 04 72 20 39 00
Helvetia www.blackanddecker.ch service@rofoag.ch	ROFO AG Gewerbezone Seeblick 3213 Kleinbösingen	Tel. 026-6749393 Fax 026-6749394
Italia www.blackanddecker.it service.italia@sbdinc.com	Stanley Black & Decker Italia Via Energypark 6 20871 Vimercate (MB)	Tel. 039-9590200 Fax 039-9590313 Numero verde 800-213935
Nederland www.blackanddecker.nl enduser.nl@sbdinc.com	Stanley Black & Decker Netherlands BV Holtum Noordweg 35, 6121 RE BORN Postbus 83, 6120 AB BORN	Tel. +31 164 283 065 Fax +31 164 283 200
Norge	Black & Decker Postboks 4613, Nydalen 0405 Oslo	kundeservice.no@sbdinc.com www.blackanddecker.no
Österreich www.blackanddecker.at service.austria@sbdinc.com	Stanley Black & Decker Austria GmbH Oberlaaerstraße 248, A-1230 Wien	Tel. 01 66116-0 Fax 01 66116-614
Portugal www.blackanddecker.pt resposta.posvenda@sbdinc.com	Black & Decker Limited SARL Quinta da Fonte - Edifício Q55 D. Diniz Rua dos Malhães, 2 e 2A - Piso 2 Esquerdo 2770 - 071 Paço de Arcos	Tel. 214667500 Fax 214667580
Suomi	Black & Decker PL47 00521, Helsinki	asiakaspalvelu.fi@sbdinc.com www.blackanddecker.fi
Sverige	Black & Decker AB Box 94, 431 22 Mölndal	kundservice.se@sbdinc.com www.blackanddecker.se
Türkiye www.blackanddecker.com.tr	STANLEY BLACK & DECKER TURKEY ALET ÜRETİM SAN TİC. LTD. ŞTİ. AND Kozyatağı – İçerenköy Mah. Umut Sok. AND Ofis. Sit. No: 10-12/82-83-84 Ataşehir/İstanbul	Tel. +90 216 665 29 00 Fax. +90 216 665 29 01 info-tr@sbdinc.com
United Kingdom & Republic Of Ireland www.blackanddecker.co.uk emeaservice@sbdinc.com	Black & Decker 270 Bath Road Slough, Berkshire SL1 4DX	Tel. 01753 511234 Fax 01753 512365
Middle East & Africa www.blackanddecker.ae service.mea@sbdinc.com	Black & Decker P.O.Box - 17164 Jebel Ali Free Zone (South), Dubai, UAE	Tel. +971 4 8863030 Fax +971 4 8863333