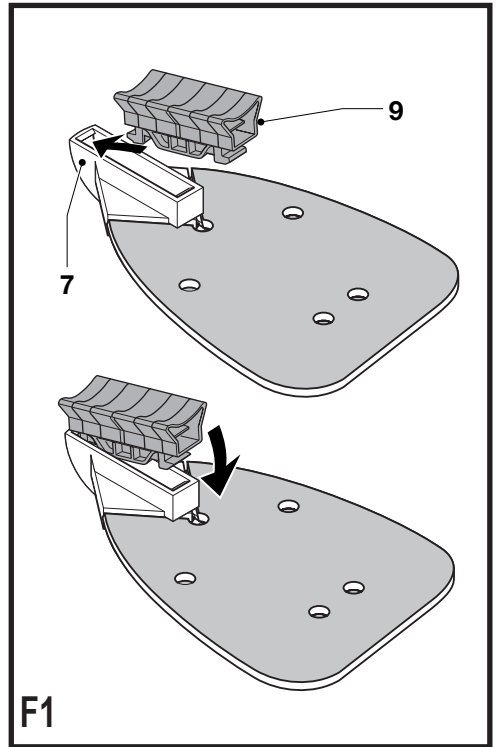
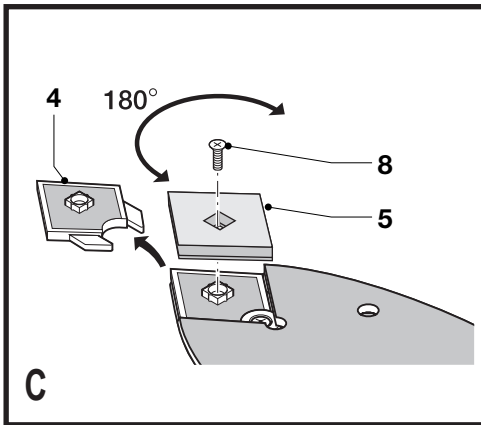
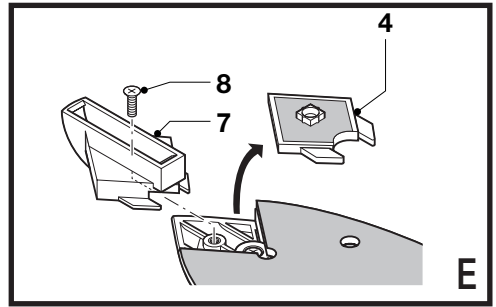
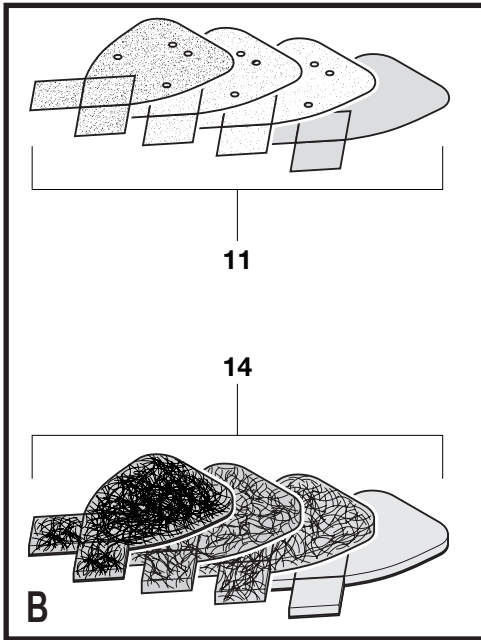
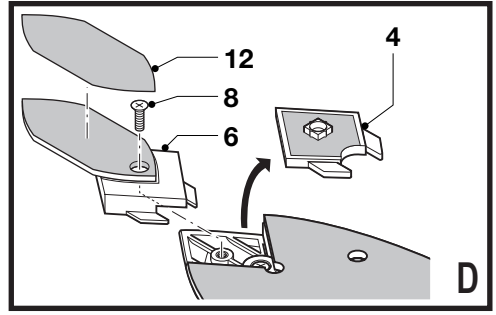
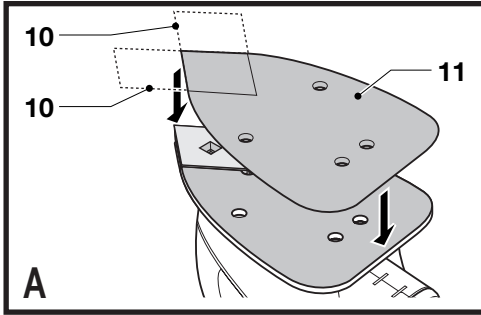
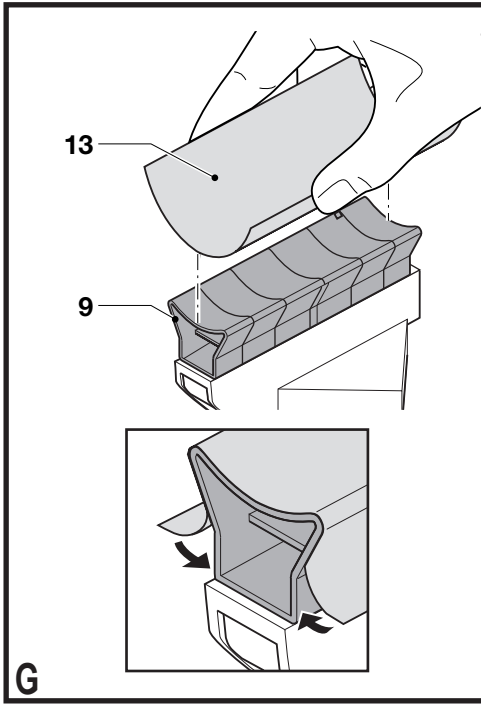
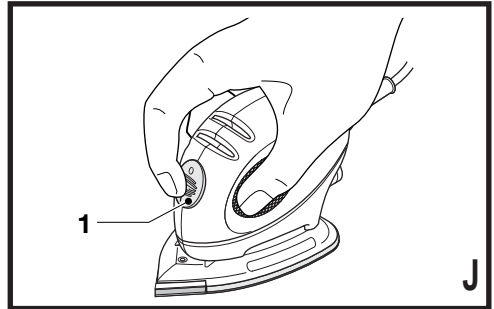
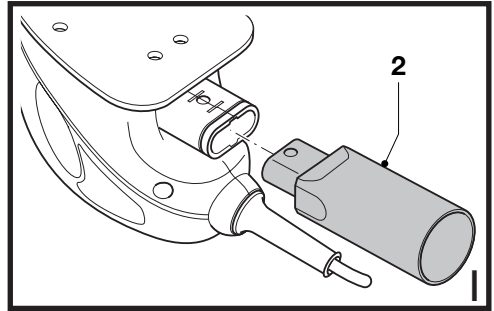
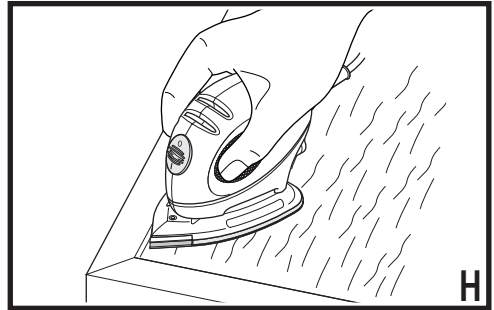
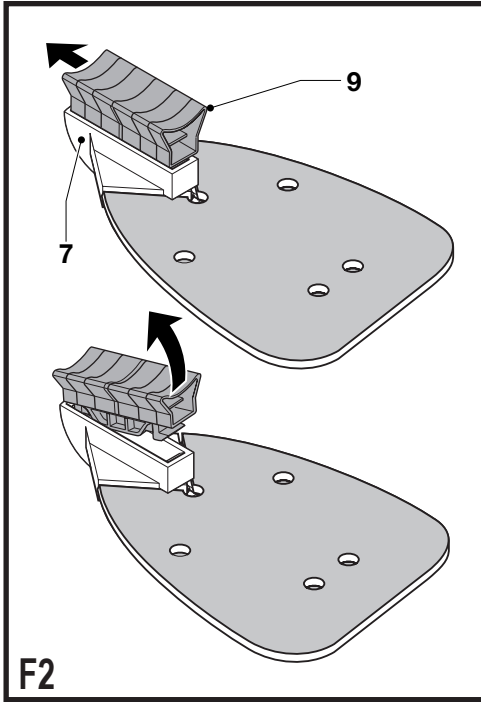


**KA160**  
**KA160K**  
**KA161**  
**KA161K**





## Intended use

Your BLACK+DECKER KA160, KA160K KA161, KA161K Sander has been designed for sanding and polishing wood, metal, plastics and painted surfaces.

This tool is intended for consumer use only.

## Safety instructions

### General power tool safety warnings



**Warning!** Read all safety warnings, instructions, illustrations and specifications provided with power tool. Failure to follow the warnings and instructions listed below may result in electric shock, fire and/or serious injury.

#### Save all warnings and instructions for future reference.

The term "power tool" in all of the warnings listed below refers to your mains operated (corded) power tool or battery operated (cordless) power tool.

#### 1. Work area safety

- a. **Keep work area clean and well lit.** Cluttered or dark areas invite accidents.
- b. **Do not operate power tools in explosive atmospheres, such as in the presence of flammable liquids, gases or dust.** Power tools create sparks which may ignite the dust or fumes.
- c. **Keep children and bystanders away while operating a power tool.** Distractions can cause you to lose control.

#### 2. Electrical safety

- a. **Power tool plugs must match the outlet. Never modify the plug in any way. Do not use any adapter plugs with earthed (grounded) power tools.** Unmodified plugs and matching outlets will reduce risk of electric shock.
- b. **Avoid body contact with earthed or grounded surfaces such as pipes, radiators, ranges and refrigerators.** There is an increased risk of electric shock if your body is earthed or grounded.
- c. **Do not expose power tools to rain or wet conditions.** Water entering a power tool will increase the risk of electric shock.
- d. **Do not abuse the cord. Never use the cord for carrying, pulling or unplugging the power tool. Keep cord away from heat, oil, sharp edges or moving parts.** Damaged or entangled cords increase the risk of electric shock.
- e. **When operating a power tool outdoors, use an extension cord suitable for outdoor use.** Use of a cord suitable for outdoor use reduces the risk of electric shock.
- f. **If operating a power tool in a damp location is unavoidable, use a residual current device (RCD)**

**protected supply.** Use of an RCD reduces the risk of electric shock.

#### 3. Personal safety

- a. **Stay alert, watch what you are doing and use common sense when operating a power tool. Do not use a power tool while you are tired or under the influence of drugs, alcohol or medication.** A moment of inattention while operating power tools may result in serious personal injury.
- b. **Use personal protective equipment. Always wear eye protection.** Protective equipment such as dust mask, non-skid safety shoes, hard hat, or hearing protection used for appropriate conditions will reduce personal injuries.
- c. **Prevent unintentional starting. Ensure the switch is in the off-position before connecting to power source and/or battery pack, picking up or carrying the tool.** Carrying power tools with your finger on the switch or energising power tools that have the switch on invites accidents.
- d. **Remove any adjusting key or wrench before turning the power tool on.** A wrench or a key left attached to a rotating part of the power tool may result in personal injury.
- e. **Do not overreach. Keep proper footing and balance at all times.** This enables better control of the power tool in unexpected situations.
- f. **Dress properly. Do not wear loose clothing or jewellery. Keep your hair, clothing and gloves away from moving parts.** Loose clothes, jewellery or long hair can be caught in moving parts.
- g. **If devices are provided for the connection of dust extraction and collection facilities, ensure these are connected and properly used.** Use of dust collection can reduce dust-related hazards.
- h. **Do not let familiarity gained from frequent use of tools allow you to become complacent and ignore tool safety principles.** A careless action can cause severe injury within a fraction of a second.

#### 4. Power tool use and care

- a. **Do not force the power tool. Use the correct power tool for your application.** The correct power tool will do the job better and safer at the rate for which it was designed.
- b. **Do not use the power tool if the switch does not turn it on and off.** Any power tool that cannot be controlled with the switch is dangerous and must be repaired.
- c. **Disconnect the plug from the power source and/or the battery pack from the power tool before making any adjustments, changing accessories, or storing power tools.** Such preventive safety measures reduce the risk of starting the power tool accidentally.

- d. **Store idle power tools out of the reach of children and do not allow persons unfamiliar with the power tool or these instructions to operate the power tool.** Power tools are dangerous in the hands of untrained users.
- e. **Maintain power tools and accessories. Check for misalignment or binding of moving parts, breakage of parts and any other condition that may affect the power tools operation. If damaged, have the power tool repaired before use.** Many accidents are caused by poorly maintained power tools.
- f. **Keep cutting tools sharp and clean.** Properly maintained cutting tools with sharp cutting edges are less likely to bind and are easier to control.
- g. **Use the power tool, accessories and tool bits etc. in accordance with these instructions, taking into account the working conditions and the work to be performed.** Use of the power tool for operations different from those intended could result in a hazardous situation.
- h. **Keep handles and grasping surfaces dry, clean and free from oil and grease.** Slippery handles and greasy surfaces do not allow for safe handling and control of the tool in unexpected situations.
5. **Service**
- a. **Have your power tool serviced by a qualified repair person using only identical replacement parts.** This will ensure that the safety of the power tool is maintained.

### Additional power tool safety warnings



**Warning!** Additional safety warnings for sanders



**Warning!** Contact with or inhalation of dusts arising from sanding applications may endanger the health of the operator and possible bystanders. Wear a dust mask specifically designed for protection against dust and fumes and ensure that persons within or entering the work area are also protected.

- ◆ **Hold power tool by insulated gripping surfaces when performing an operation where the sanding accessory may contact hidden wiring.** Accessory contacting a "live" wire may make exposed metal parts of the power tool "live" and could give the operator an electric shock.
- ◆ **Use clamps or another practical way to secure and support the workpiece to a stable platform.** Holding the work by hand or against your body leaves it unstable and may lead to loss of control.



**Warning!** Take special care when sanding some woods (e.g. beech, oak) and metal which may produce toxic dust. Wear a dust mask specifically designed for protection against toxic dust and fumes and ensure that persons within or entering the work area are also protected.



**Warning!** Use this tool in a well ventilated area when sanding ferrous metals. Do not operate the tool near flammable liquids, gases or dust. Sparks or hot particles from sanding or arcing motor brushes may ignite combustible materials.



**Warning! Do not sand magnesium!** There is a risk of fire or explosions.

- ◆ Thoroughly remove all dust after sanding.
- ◆ The intended use is described in this instruction manual. The use of any accessory or attachment or performance of any operation with this tool other than those recommended in this instruction manual may present a risk of personal injury and/or damage to property.

### Safety when sanding paint



**Warning!** Observe the applicable regulations for sanding paint. Pay special attention to the following:

- ◆ Whenever possible, use a vacuum extractor for dust collection.
- ◆ Take special care when sanding paint which is possibly lead based and may produce toxic dust:
  - ◆ Do not let children or pregnant women enter the work area.
  - ◆ All persons entering the work area should wear a mask specially designed for protection against lead paint dust and fumes.
  - ◆ Do not eat, drink or smoke in the work area.
- ◆ Dispose of dust particles and any other removal debris safely.

### Safety of others

- ◆ This charger can be used by children aged from 8 years and above and persons with reduced physical, sensory or mental capabilities or lack of experience and knowledge if they have been given supervision or instruction concerning use of the appliance in a safe way and understand the hazards involved.
- ◆ Children shall not play with the appliance. Cleaning and user maintenance shall not be made by children without supervision.

## Residual risks

Additional residual risks may arise when using the tool which may not be included in the enclosed safety warnings. These risks can arise from misuse, prolonged use etc.

Even with the application of the relevant safety regulations and the implementation of safety devices, certain residual risks can not be avoided. These include:

- ◆ Injuries caused by touching any rotating/moving parts.
- ◆ Injuries caused when changing any parts, blades or accessories.
- ◆ Injuries caused by prolonged use of a tool. When using any tool for prolonged periods ensure you take regular breaks.
- ◆ Impairment of hearing.
- ◆ Health hazards caused by breathing dust developed when using your tool (example:- working with wood, especially oak, beech and MDF.)

## Vibration

The declared vibration emission values stated in the technical data and the declaration of conformity have been measured in accordance with a standard test method provided by EN62841 and may be used for comparing one tool with another. The declared vibration emission value may also be used in a preliminary assessment of exposure.

**Warning!** The vibration emission value during actual use of the power tool can differ from the declared value depending on the ways in which the tool is used. The vibration level may increase above the level stated.

When assessing vibration exposure to determine safety measures required by 2002/44/EC to protect persons regularly using power tools in employment, an estimation of vibration exposure should consider, the actual conditions of use and the way the tool is used, including taking account of all parts of the operating cycle such as the times when the tool is switched off and when it is running idle in addition to the trigger time.

## Labels on tool

The following symbols are shown on the tool along with the date code:



**Warning!** To reduce the risk of injury, the user must read the instruction manual.

## Electrical safety



This tool is double insulated; therefore no earth wire is required. Always check that the power supply corresponds to the voltage on the rating plate.

- ◆ If the supply cord is damaged, it must be replaced by the manufacturer or an authorised BLACK+DECKER Service Centre in order to avoid a hazard.

## Features

This tool includes some or all of the following features.

1. On/off switch
2. Dust extraction connector
3. Base
4. Tip holder
5. Sanding base tip
6. Finger attachment
7. Profile attachment
8. Screw
9. Sanding profiles

In addition, this tool is supplied with some or all of the following accessories:

Accessory	Recommended application and use
Coarse grit sandpaper	Fast paint, varnish and rust removal
Medium grit sandpaper	Paint, varnish and rust removal
Fine grit sandpaper	Surface blending and finishing
Extra fine grit sandpaper	Sanding between coats
Detail sanding tips	Corners and hard to reach places
1 OT polishing/stripping wool	Polishing metals, stripping varnish and glass cleaning
Grey foam pad	Applying and removing polish
Red non-woven pad	Heavy scrubbing and rust removal
Grey abrasive paper	Polishing plastics
Contour attachments	Curves and profiles

## Assembly

**Warning!** Before assembly, make sure that the tool is switched off and unplugged.

### Fitting sanding sheets (fig. A & B)

- ◆ Detach the two diamond-shaped tips (10) from the sanding sheet (11).
- ◆ Hold the tool with the sanding base facing upwards.
- ◆ Place the sanding sheet (11) onto the sanding base, making sure that the holes in the sheet line up with the holes in the base.

The diamond-shaped tip (10) can be reversed and replaced when worn.

- ◆ When the front part of the tip is worn, detach it from the sheet, reverse it and press it onto the sanding base again.
- ◆ When the whole tip is worn, remove it from the sanding base and fit a new tip.

- ◆ The polishing foam and pads (14) can be fitted the same way as the sanding sheets.

### Tip of the sanding base (fig. C)

When the sanding base tip (5) or tip holder (4) is worn, it can be reversed or replaced. Spare parts are available from your BLACK+DECKER dealer.

- ◆ Remove the screw (8).
- ◆ Reverse or replace the worn part.
- ◆ Fit and tighten the screw.

### Finger attachment (fig. D)

The finger attachment is used for fine detail sanding.

- ◆ Remove the screw (8).
- ◆ Remove the diamond-shaped tip holder (4) from the sanding base.
- ◆ Fit the finger attachment (6) onto the sanding base.
- ◆ Fit and tighten the screw.
- ◆ Fit the appropriate sanding sheet (12) onto the finger attachment.

### Profile attachment (KA160K/KA161K only) (fig. E)

The profile attachment is used for contour sanding.

- ◆ Remove the screw (8).
- ◆ Remove the diamond-shaped tip holder (4) from the sanding base.
- ◆ Fit the profile attachment (7) onto the sanding base.
- ◆ Fit and tighten the screw.

### Fitting and removing a sanding profile (fig. F1 & F2)

- ◆ Choose the sanding profile most suitable for your application.
- ◆ Place one end of the sanding profile (9) into the recess at the front end of the profile holder (7).
- ◆ Push the other end of the sanding profile until it clicks into place.
- ◆ To remove the sanding profile, push it forward and pull the rear end out of the profile holder (fig. F2).

### Fitting a sanding sheet onto a sanding profile (fig. G)

- ◆ Align the sanding sheet (13) with the sanding profile (9).
- ◆ Press the sanding sheet onto the sanding profile, making sure that the sanding sheet follows the shape of the profile.

### Assembly

**Warning!** Do not cover the ventilation slots when using the tool. Hold the tool as shown in fig. H. Make sure that the sanding base is flat on the workpiece.

### Connecting a vacuum cleaner (fig. I)

The tool has an adaptor to connect it to a vacuum cleaner when sanding wood. To connect the tool to a vacuum cleaner, proceed as follows:

**Warning!** Make sure that the tool is switched off and unplugged.

- ◆ Fit the dust extraction connector (2) onto the adapter at the back of the tool.
- ◆ Connect the hose of a suitable vacuum cleaner to the connector.

### Assembly

**Warning!** Let the tool work at its own pace. Do not overload.

### Switching on and off (fig. J)

**Warning!** Before connecting the tool to the power supply, make sure it is switched off.

- ◆ To switch the tool on, press the part of the on/off switch (1) marked 'I'.
- ◆ To switch the tool off, press the part of the on/off switch (1) marked '0'.

### Accessories

The performance of your tool depends on the accessory used. and Piranha accessories are engineered to high quality standards and designed to enhance the performance of your tool. By using these accessories you will get the very best from your tool.

### Maintenance

Your tool has been designed to operate over a long period of time with a minimum of maintenance. Continuous satisfactory operation depends upon proper tool care and regular cleaning.

**Warning!** Before performing any maintenance, switch off and unplug the tool.

- ◆ Regularly clean the ventilation slots in your tool using a soft brush or dry cloth.
- ◆ Regularly clean the motor housing using a damp cloth. Do not use any abrasive or solvent-based cleaner.

### Mains plug replacement (U.K. & Ireland only)

If a new mains plug needs to be fitted:

- ◆ Safely dispose of the old plug.
- ◆ Connect the brown lead to the live terminal in the new plug.
- ◆ Connect the blue lead to the neutral terminal.

**Warning!** No connection is to be made to the earth terminal. Follow the fitting instructions supplied with good quality plugs. Recommended fuse: 5 A.

## Protecting the environment



Separate collection. Products and batteries marked with this symbol must not be disposed of with normal household waste.

Products and batteries contain materials that can be recovered or recycled reducing the demand for raw materials. Please recycle electrical products and batteries according to local provisions. Further information is available at [www.2helpU.com](http://www.2helpU.com)

## Technical data

KA160, KA160K KA161, KA161K Type 1		
Voltage	V <sub>ac</sub>	230
Power input	W	55
No-load speed	min <sup>-1</sup>	11,000
Weight	kg	0.8

### Level of sound pressure according to EN 62841:

L<sub>pa</sub> (sound pressure) 66 dB(A), Uncertainty (K) 3 dB(A)

L<sub>wa</sub> (sound power) 79 dB(A), Uncertainty (K) 3 dB(A)

### Vibration total values (triax vector sum) according to EN 62841:

Vibration emission value (a<sub>v</sub>) 5.6 m/s<sup>2</sup>, uncertainty (K) 1.5 m/s<sup>2</sup>

## EC declaration of conformity

MACHINERY DIRECTIVE



KA160, KA160K KA161, KA161K Sander

Black & Decker declares that these products described under "technical data" are in compliance with:  
EN62841-1:2015, EN62841-2-4:2014.

These products also comply with directive  
2006/42/EC, 2014/30/EU and 2011/65/EU.

For more information, please contact Black & Decker at the following address or refer to the back of the manual.

The undersigned is responsible for compilation of the technical file and makes this declaration on behalf of Black & Decker.

A. Smith  
Technical Director  
Black & Decker Europe, 210 Bath Road, Slough,  
Berkshire, SL1 3YD  
United Kingdom  
28/02/2019

## Guarantee

Black & Decker is confident of the quality of its products and offers consumers a 24 month guarantee from the date of purchase. This guarantee is in addition to and in no way prejudices your statutory rights. The guarantee is valid within the territories of the Member States of the European Union and the European Free Trade Area.

To claim on the guarantee, the claim must be in accordance with Black & Decker Terms and Conditions and you will need to submit proof of purchase to the seller or an authorised repair agent. Terms and conditions of the Black & Decker 2 year guarantee and the location of your nearest authorised repair agent can be obtained on the Internet at [www.2helpU.com](http://www.2helpU.com), or by contacting your local Black & Decker office at the address indicated in this manual.

Please visit our website [www.blackanddecker.co.uk](http://www.blackanddecker.co.uk) to register your new Black & Decker product and receive updates on new products and special offers.

## DEUTSCH

(Übersetzung der ursprünglichen Anweisungen)

## Verwendungszweck

Ihr BLACK+DECKER-Schleifgerät KA160, KA160K KA161, KA161K wurde zum Schleifen von Holz, Metall, Kunststoff und lackierten Oberflächen entwickelt. Dieses Gerät ist nicht für den gewerblichen Einsatz vorgesehen.

## Sicherheitshinweise

### Allgemeine Sicherheitswarnungen für das Gerät



**Warnung! Beachten Sie alle Sicherheitshinweise, Anweisungen, Darstellungen und Daten, die Sie mit dem Gerät erhalten.** Die Nichteinhaltung der folgenden Warnungen und Anweisungen kann einen elektrischen Schlag, Brand und/oder schwere Verletzungen verursachen.

### Bewahren Sie alle Sicherheitshinweise und Anweisungen gut auf.

Der nachfolgend verwendete Begriff "Gerät" bezieht sich auf netzbetriebene Geräte (mit Netzkabel) und auf akkubetriebene Geräte (ohne Netzkabel).

#### 1. Sicherheit im Arbeitsbereich

- a. Halten Sie Ihren Arbeitsbereich sauber und gut ausgeleuchtet. Unaufgeräumte oder dunkle Bereiche begünstigen Unfälle.



- b. **Betreiben Sie das Gerät nicht in Umgebungen, in denen Explosionsgefahr z. B. aufgrund von brennbaren Flüssigkeiten, Gasen oder Staub besteht.** Geräte erzeugen Funken, die den Staub oder die Dämpfe entzünden können.
- c. **Halten Sie Kinder und andere Personen während der Benutzung eines Geräts fern.** Bei Ablenkung können Sie die Kontrolle verlieren.
2. **Elektrische Sicherheit**
- a. **Der Netzstecker des Geräts muss in die Steckdose passen. Ändern Sie niemals den Stecker in irgendeiner Form. Verwenden Sie keinerlei Adapterstecker an geerdeten Elektrogeräten.** Unveränderte Stecker und passende Steckdosen mindern die Gefahr eines elektrischen Schlages.
- b. **Vermeiden Sie Körperkontakt mit geerdeten Oberflächen von Rohren, Heizungen, Herden und Kühlschränken.** Es besteht eine erhöhte Gefahr für einen elektrischen Schlag, wenn Ihr Körper geerdet ist.
- c. **Halten Sie Geräte von Regen und Nässe fern.** Das Eindringen von Wasser in ein Gerät erhöht das Risiko eines elektrischen Schlages.
- d. **Verwenden Sie das Kabel ordnungsgemäß. Verwenden Sie es niemals zum Tragen. Trennen Sie das Gerät nicht durch Ziehen am Kabel vom Netz. Halten Sie das Kabel fern von Hitze, Öl, scharfen Kanten oder beweglichen Teilen.** Beschädigte oder verhedderte Kabel erhöhen die Gefahr eines elektrischen Schlages.
- e. **Verwenden Sie nur für den Außenbereich zugelassene Verlängerungskabel, wenn Sie mit dem Gerät im Freien arbeiten.** Die Verwendung eines für den Außenbereich geeigneten Verlängerungskabels verringert das Risiko eines elektrischen Schlages.
- f. **Wenn das Gerät in einer feuchten Umgebung verwendet werden muss, schließen Sie es unbedingt an eine Steckdose mit Fehlerstromschutzschalter (FI-Schalter) an.** Ein Fehlerstromschutzschalter verringert das Risiko eines elektrischen Schlages.
3. **Sicherheit von Personen**
- a. **Seien Sie aufmerksam, achten Sie darauf, was Sie tun, und gehen Sie sachgerecht mit einem Gerät um. Benutzen Sie kein Gerät, wenn Sie müde sind oder unter dem Einfluss von Drogen, Alkohol oder Medikamenten stehen.** Ein Moment der Unachtsamkeit beim Betrieb eines Geräts kann zu schweren Verletzungen führen.
- b. **Verwenden Sie eine geeignete Schutzausrüstung. Tragen Sie immer einen Augenschutz.** Das Tragen persönlicher Schutzausrüstung, wie Staubmaske, rutschfeste Sicherheitsschuhe, Schutzhelm oder Gehörschutz, je nach Art und Einsatz des Geräts, verringert das Risiko von Verletzungen.
- c. **Vermeiden Sie eine unbeabsichtigte Inbetriebnahme. Vergewissern Sie sich, dass das Gerät ausgeschaltet ist, bevor Sie es an eine Steckdose oder einen Akku anschließen, es hochheben oder tragen.** Wenn Sie beim Tragen des Geräts den Finger am Schalter haben oder das Gerät eingeschaltet an die Stromversorgung anschließen, kann dies zu Unfällen führen.
- d. **Entfernen Sie Einstell- oder Schraubenschlüssel, bevor Sie das Gerät einschalten.** Werkzeuge oder Schlüssel, die an rotierenden Teilen des Geräts angebracht sind, können zu Verletzungen führen.
- e. **Beugen Sie sich nicht zu weit nach vorne. Sorgen Sie für einen sicheren Stand und halten Sie jederzeit das Gleichgewicht.** Dadurch können Sie das Gerät in unerwarteten Situationen besser kontrollieren.
- f. **Tragen Sie geeignete Kleidung. Tragen Sie keine weite Kleidung und keinen Schmuck. Halten Sie Ihre Haare, Kleidung und Handschuhe von beweglichen Teilen fern.** Lose sitzende Kleidung, Schmuck oder lange Haare können sich in den beweglichen Teilen verfangen.
- g. **Falls Vorrichtungen zum Absaugen oder Auffangen von Staub vorhanden sind, vergewissern Sie sich, dass diese angeschlossen sind und richtig verwendet werden.** Das Verwenden einer Staubauffangvorrichtung verringert Gefährdungen durch Staub.
- h. **Vermeiden Sie, durch die häufige Nutzung des Werkzeugs in einen Trott zu verfallen und Prinzipien für die Werkzeugsicherheit zu ignorieren.** Eine unachtsame Aktion kann im Bruchteil einer Sekunde zu schweren Verletzungen führen.
4. **Gebrauch und Pflege von Geräten**
- a. **Überlasten Sie das Gerät nicht. Verwenden Sie das für Ihre Arbeit passende Gerät.** Das richtige Gerät wird die Aufgabe besser und sicherer erledigen, wenn es bestimmungsgemäß verwendet wird.
- b. **Verwenden Sie das Gerät nicht, wenn der Ein-/Ausrichter nicht funktioniert.** Ein Gerät, das sich nicht mehr ein- oder ausschalten lässt, ist gefährlich und muss repariert werden.
- c. **Ziehen Sie den Stecker aus der Steckdose, oder trennen Sie das Gerät vom Akku, bevor Sie Einstellungen vornehmen, Zubehörteile wechseln oder das Gerät lagern.** Diese Vorbeugemaßnahmen mindern die Gefahr, dass das Elektrogerät unbeabsichtigt startet.
- d. **Bewahren Sie unbenutzte Geräte außerhalb der Reichweite von Kindern auf. Lassen Sie Geräte nicht von Personen benutzen, die damit nicht vertraut sind oder diese Anweisungen nicht gelesen haben.** Geräte sind in den Händen nicht geschulter Personen gefährlich.

- e. **Halten Sie das Gerät und sein Zubehör in einem einwandfreien Zustand. Kontrollieren Sie, ob bewegliche Teile falsch ausgerichtet sind oder klemmen und ob Teile gebrochen oder so beschädigt sind, dass die Funktion des Geräts beeinträchtigt ist. Bei Beschädigungen lassen Sie das Gerät reparieren, bevor Sie es verwenden.** Viele Unfälle entstehen wegen mangelnder Wartung der Geräte.
- f. **Halten Sie Schneidgeräte scharf und sauber.** Richtig gewartete Schneidwerkzeuge mit scharfen Klingen blockieren seltener und sind leichter unter Kontrolle zu halten.
- g. **Verwenden Sie Gerät, Zubehör, Einsatz-Bits usw. entsprechend diesen Anweisungen und berücksichtigen Sie dabei die Arbeitsbedingungen und die auszuführende Arbeit.** Der Gebrauch von Geräten für andere als die vorgesehenen Zwecke kann zu gefährlichen Situationen führen.
- h. **Halten Sie die Griffe trocken, sauber und frei von Öl und Fett.** Rutschige Griffe und fettige Oberflächen unterbinden die sichere Bedienbarkeit und Kontrolle über das Werkzeug in unerwarteten Situationen.
5. **Service**
- a. **Lassen Sie das Gerät nur von qualifiziertem Fachpersonal und nur mit Originalersatzteilen reparieren.** Damit wird sichergestellt, dass die Sicherheit des Geräts erhalten bleibt.

### Zusätzliche Sicherheitswarnungen für das Gerät



**Warnung!** Zusätzliche Sicherheitswarnungen für Schleifgeräte



**Warnung!** Die beim Schleifen von bestimmten Materialien entstehenden Stäube können bei Berührung oder Einatmen die Gesundheit schädigen. Tragen Sie eine speziell für den Schutz vor Staub und Dämpfen vorgesehene Staubmaske, und stellen Sie sicher, dass auch andere Personen entsprechend geschützt sind, die den Arbeitsplatz betreten oder sich dort aufhalten.

- ◆ **Halten Sie das Elektrowerkzeug an den isolierten Griffflächen, wenn Arbeiten durchgeführt werden, bei denen das Schleifzubehör versteckte Leitungen berühren könnte.** Der Kontakt mit stromführenden Leitungen kann auch offenliegende Metallteile am Gerät unter Strom setzen und zu einem Stromschlag führen.
- ◆ **Sichern Sie das Werkstück zum Beispiel mit Einspannvorrichtungen auf einer stabilen Plattform.** Das Werkstück ist instabil, wenn es mit der Hand oder dem Körper abgestützt wird, was zum Verlust der Kontrolle führen kann.



**Warnung!** Besondere Vorsicht gilt beim Schleifen einiger Holzarten (z.B. Buche, Eiche) und von Metall, da hierbei giftiger Staub entstehen kann. Tragen Sie daher Staubmasken, die speziell zum Schutz vor giftigem Staub und Gasen konzipiert sind, und stellen Sie sicher, dass auch andere Personen geschützt werden, die sich im Arbeitsbereich aufhalten oder ihn betreten.



**Warnung!** Sorgen Sie beim Schleifen eisenhaltiger Metalle stets für ausreichende Belüftung. Betreiben Sie das Gerät nicht in der Umgebung von brennbaren Flüssigkeiten, Gasen oder Staub. Beim Schleifen entstehende Funken oder Späne sowie die Energieentladungen an den Motorbürsten können entflammable Materialien entzünden.



**Warnung!** Schleifen Sie kein Magnesium! Es besteht Brand- bzw. Explosionsgefahr.

- ◆ Entfernen Sie nach dem Schleifen sorgfältig alle Staubreste.
- ◆ Die bestimmungsgemäße Verwendung ist in dieser Betriebsanleitung beschrieben. Die Verwendung von Zubehör- oder Anbauteilen, die nicht in dieser Anleitung empfohlen werden, sowie die Bedienung des Geräts in Abweichung von den in dieser Anleitung beschriebenen Verfahren können zu Verletzungen und/oder Sachschäden führen.

### Sicherheitsanweisungen für das Schleifen von Farben



**Warnung!** Beachten Sie die Richtlinien für das Schleifen von Farben. Achten Sie besonders auf folgende Aspekte:

- ◆ Verwenden Sie wenn möglich eine Staubabsaugvorrichtung.
- ◆ Treffen Sie beim Schleifen von möglicherweise bleihaltigen Farben, die giftigen Staub bilden können, besondere Maßnahmen:
  - ◆ Verhindern Sie, dass Kinder oder Schwangere den Arbeitsplatz betreten.
  - ◆ Alle Personen, die den Arbeitsbereich betreten, sollten eine Maske tragen, die speziell für den Schutz vor Stäuben und Dämpfen von bleihaltiger Farbe vorgesehen ist.
  - ◆ Essen, trinken und rauchen Sie nicht am Arbeitsplatz.
- ◆ Entsorgen Sie Staubteilchen und andere Schleifabfälle sachgerecht.

## Sicherheit anderer Personen

- ◆ Dieses Ladegerät darf von Kindern ab 8 Jahren und Personen mit eingeschränkten körperlichen, sensorischen oder geistigen Fähigkeiten sowie mangelnder Erfahrung und Wissen in Bezug auf dessen Gebrauch bedient werden, wenn sie bei der Verwendung des Geräts beaufsichtigt oder angeleitet werden und die möglichen Gefahren verstehen.
- ◆ Kinder dürfen nicht mit dem Gerät spielen. Reinigung und Wartungsarbeiten dürfen von Kindern nur unter Aufsicht durchgeführt werden.

## Restrisiken

Beim Gebrauch dieses Geräts verbleiben zusätzliche Restrisiken, die möglicherweise nicht in den Sicherheitswarnungen genannt werden. Diese Risiken bestehen beispielsweise bei Missbrauch oder längerem Gebrauch.

Auch bei der Einhaltung der entsprechenden Sicherheitsvorschriften und der Verwendung aller Sicherheitsgeräte bestehen weiterhin bestimmte Restrisiken. Diese sind:

- ◆ Verletzungen, die durch das Berühren von sich drehenden/bewegenden Teilen verursacht werden.
- ◆ Verletzungen, die durch das Austauschen von Teilen, Messern oder Zubehör verursacht werden.
- ◆ Verletzungen, die durch längeren Gebrauch eines Geräts verursacht werden. Legen Sie bei längerem Gebrauch regelmäßige Pausen ein.
- ◆ Beeinträchtigung des Gehörs.
- ◆ Gesundheitsrisiken durch das Einatmen von Staub beim Verwenden des Geräts (beispielsweise bei Holzarbeiten, insbesondere Eiche, Buche und MDF.)

## Vibration

Die in den Abschnitten "Technische Daten" und "EU-Konformitätserklärung" angegebenen Werte für die Vibrationsemission wurden mit einer Standard-Prüfmethode nach EN62841 ermittelt und können zum Vergleich verschiedener Geräte herangezogen werden. Außerdem kann mit Hilfe dieses Werts die Belastung bei Verwendung des Geräts schon im Voraus eingeschätzt werden.

**Warnung!** Die bei Verwendung des Geräts auftretende Vibrationsemission hängt von der Art des Gerätegebrauchs ab und kann dementsprechend von dem angegebenen Wert abweichen. Gegebenenfalls kann die Vibration über dem angegebenen Wert liegen.

Für die Ermittlung der Vibrationsbelastung müssen die tatsächlichen Einsatzbedingungen und Verwendungen des Geräts während des gesamten Arbeitsgangs berücksichtigt werden, einschließlich der Zeiten, wenn das Gerät nicht

verwendet oder im Leerlauf betrieben wird. Diese Werte werden benötigt, um die gemäß 2002/44/EG erforderlichen Sicherheitsmaßnahmen zum Schutz von Personen festlegen zu können.

## Labels on tool

The following symbols are shown on the tool along with the date code:



**Achtung!** Um die Verletzungsgefahr zu verringern, muß der Benutzer die Bedienungsanleitung lesen.

## Electrical safety



Dieses Gerät ist schutzisoliert, daher ist keine Erdleitung erforderlich. Überprüfen Sie immer, ob die Netzspannung der auf dem Typenschild des Elektrowerkzeuges angegebenen Spannung entspricht.

- ◆ Falls das Netzkabel beschädigt ist, so ist es vom Hersteller oder einem autorisierten BLACK+DECKER Service Center auszutauschen, um Gefahren vorzubeugen.

## Merkmale

Dieses Gerät weist einige oder alle der folgenden Merkmale auf.

1. Ein-/Aus-Schalter
2. Staubsaugersanschluss
3. Fuß
4. Spitzenhalter
5. Schleifplattenspitze
6. Fingeraufsatz
7. Profilaufsatz
8. Schraube
9. Schleifprofile

Dieses Werkzeug wird mit einigen oder allen der folgenden Zubehörteile ausgeliefert:

Zubehör	Empfohlener Einsatz und Gebrauch
Grobkörniges Sandpapier	Schnelles Entfernen von Farbe, Lack und Rost
Mittelkörniges Sandpapier	Entfernen von Farbe, Lack und Rost
Feinkörniges Sandpapier	Oberflächenveredelung und Endbearbeitung
Extrafeinkörniges Sandpapier	Schleifarbeiten zwischen Schichten

Zubehör	Empfohlener Einsatz und Gebrauch
Detailschleifspitzen	Ecken und schwer zugängliche Stellen
1 Schleif-/Polierwolle	Polieren von Metallen, Entfernen von Lack und Reinigung von Glas
Graues Schaumstoffkissen	Auftragen und Entfernen von Politur
Rotes, nicht gewobenes Kissen	Starkes Bürsten und Rostbeseitigung
Rostbeseitigung	Polieren von Kunststoffen
Konturenaufsätze	Kurven und Profile

**Montage**

Achtung! Vergewissern Sie sich vor der Montage, daß das Gerät ausgeschaltet ist und daß der Netzstecker gezogen wurde.

**Anbringen des Schleifpapiers (Abb. A & B)**

- ◆ Nehmen Sie die beiden diamantförmigen Spitzen (10) vom Schleifpapier (11) ab.
- ◆ Halten Sie das Gerät mit der Schleifplatte nach obenweisend.
- ◆ Bringen Sie das Schleifpapier (11) auf der Schleifplatte an. Sorgen Sie dafür, daß die Löcher im Schleifpapier mit denen in der Schleifplatte fluchten.

Die diamantförmige Spitze (10) kann umgedreht wieder angebracht werden, wenn sie verschlissen ist.

- ◆ Ist der vordere Teil der Spitze verschlissen, nehmen Sie die Spitze vom Schleifpapier, drehen Sie sie um und drücken Sie sie wieder auf die Schleifplatte.
- ◆ Ist die gesamte Spitze verschlissen, nehmen Sie sie von der Schleifplatte ab und bringen Sie eine neue Spitze an.
- ◆ Der Polierschaumstoff und die Kissen (14) können auf die gleiche Weise wie das Schleifpapier angebracht werden.

**Spitze der Schleifplatte (Abb. C)**

Ist die Schleifplattenspitze (5) oder der Spitzenhalter (4) verschlissen, so können diese Teile umgedreht oder erneuert werden. Ersatzteile sind bei Ihrem BLACK+DECKER Händler erhältlich.

- ◆ Entfernen Sie die Schraube (8).
- ◆ Drehen Sie das verschlissene Teil um oder erneuern Sie es.
- ◆ Bringen Sie die Schraube an und ziehen Sie sie fest.

**Fingeraufsatz (Abb. D)**

Der Fingeraufsatz wird für feines Detailschleifen verwendet.

- ◆ Entfernen Sie die Schraube (8).

- ◆ Entfernen Sie den diamantförmigen Spitzenhalter (4) von der Schleifplatte.
- ◆ Bringen Sie den Fingeraufsatz (6) auf der Schleifplatte an.
- ◆ Bringen Sie die Schraube an und ziehen Sie sie fest.
- ◆ Bringen Sie das passende Schleifpapier (12) am Fingeraufsatz an.

**Profilaufsatz (nur KA160K/KA161K) (Abb. E)**

Der Profilaufsatz wird für Konturschleifarbeiten verwendet.

- ◆ Entfernen Sie die Schraube (8).
- ◆ Entfernen Sie den diamantförmigen Spitzenhalter (4) von der Schleifplatte.
- ◆ Bringen Sie den Profilaufsatz (7) auf der Schleifplatte an.
- ◆ Bringen Sie die Schraube an und ziehen Sie sie fest.

**Anbringen und Entfernen eines Schleifprofils (Abb. F1 & F2)**

- ◆ Wählen Sie das für Ihren Einsatz am besten geeignete Schleifprofil.
- ◆ Setzen Sie ein Ende des Schleifprofils (9) in die Aussparung am vorderen Ende des Profilhalters (7).
- ◆ Drücken Sie auf das andere Ende des Schleifprofils, bis es in seiner Lage einrastet.
- ◆ Um das Schleifprofil zu entfernen, schieben Sie es nach vorne, und ziehen Sie das hintere Ende aus dem Profilhalter heraus (Abb. F2).

**Anbringen eines Schleifpapiers auf einem Schleifprofil (Abb. G)**

- ◆ Richten Sie das Schleifpapier (13) mit dem Schleifprofil (9) aus.
- ◆ Drücken Sie das Schleifpapier auf das Schleifprofil und stellen Sie sicher, daß sich das Schleifpapier der Form des Profils anpaßt.

**Gebrauch**

**Achtung!** Verdecken Sie beim Gebrauch des Geräts nicht die Ventilationsschlitze. Halten Sie das Werkzeug gemäß Abb. H. Stellen Sie sicher, daß die Schleifplatte flach auf dem Werkstück aufliegt.

**Anschließen eines Staubsaugers (Abb. I)**

Das Werkzeug verfügt über einen Adapter, an den ein Staubsauger angeschlossen werden kann, wenn Schleifarbeiten auf Holz durchgeführt werden. Um das Werkzeug an einen Staubsauger anzuschließen, gehen Sie folgendermaßen vor:

**Achtung!** Vergewissern Sie sich, daß das Gerät ausgeschaltet ist und der Netzstecker gezogen wurde.

- ◆ Bringen Sie den Staubsaugeranschluß (2) am Adapter an der Rückseite des Werkzeugs an.

- ◆ Verbinden Sie den Schlauch eines geeigneten Staubsaugers mit dem Anschluß.

## Gebrauch

**Achtung!** Beschleunigen Sie den Arbeitsvorgang nicht mit Gewalt. Vermeiden Sie eine Überlastung des Gerätes.

## Ein- und Ausschalten (Abb. J)

**Achtung!** Vor dem Anschließen an die Stromversorgung stellen Sie sicher, daß das Werkzeug ausgeschaltet ist.

- ◆ Um das Gerät einzuschalten, drücken Sie auf den mit 'I' gekennzeichneten Teil des Ein-/Ausschalters (1).
- ◆ Um das Gerät auszuschalten, drücken Sie auf den mit '0' gekennzeichneten Teil des Ein-/Ausschalters (1).

## Zubehör

Die Leistung Ihres Geräts hängt vom verwendeten Zubehör ab. BLACK+DECKER und Piranha Zubehör ist nach hohen Qualitätsnormen gefertigt und dafür ausgelegt, die Leistung Ihres Geräts zu steigern. Durch Verwendung dieses Zubehörs erzielen Sie die größtmögliche Leistung Ihres Geräts.

## Wartung

Ihr Gerät wurde für eine lange Lebensdauer und einen möglichst geringen Wartungsaufwand entwickelt. Ein dauerhafter, einwandfreier Betrieb setzt eine regelmäßige Pflege und Reinigung voraus.

**Achtung!** Bevor Sie irgendwelche Wartungsarbeiten vornehmen, schalten Sie das Gerät aus, und ziehen Sie den Netzstecker.

- ◆ Reinigen Sie regelmäßig die Lüftungsschlitze im Gerät mit Hilfe einer weichen Bürste oder eines trockenen Tuches.
- ◆ Reinigen Sie regelmäßig das Motorgehäuse mit Hilfe eines feuchten Tuches. Verwenden Sie keine scheuernden Reinigungsmittel oder Reinigungsmittel auf Lösungsmittelbasis.

## Umweltschutz



Getrennte Entsorgung. Produkte und Akkus mit diesem Symbol dürfen nicht mit dem normalen Hausmüll entsorgt werden.

Produkte und Akkus enthalten Materialien, die wiederverwertet werden können, um den Bedarf an Rohstoffen zu verringern. Bitte recyceln Sie elektrische Produkte und Akkus gemäß den örtlichen Bestimmungen.

## Technische Daten

		KA160, KA160K KA161, KA161K Type 1
Spannung	$V_{ac}$	230
Leistungsaufnahme	W	55
Leerlaufdrehzahl	$min^{-1}$	11,000
Gewicht	kg	0.8

Höhe des Schalldrucks gemäß EN 62841:	
$L_{pA}$ (Schalldruck) 66 dB(A), Unsicherheitsfaktor (K) 3 dB(A)	
$L_{WA}$ (Schalleistung) 79 dB(A), Unsicherheitsfaktor (K) 3 dB(A)	
Gesamtvibrationswerte (Triax-Vektorsumme) gemäß EN 62841:	
Vibrationswert ( $a_w$ ) 5.6 $m/s^2$ , Unsicherheitsfaktor (K) 1.5 $m/s^2$	

## EU-Konformitätserklärung MASCHINENRICHTLINIE



Schleifgerät - KA160, KA160K KA161, KA161K

Black & Decker erklärt, dass die in den technischen Daten beschriebenen Geräte übereinstimmen mit:  
EN62841-1:2015, EN62841-2-4:2014.

Diese Produkte entsprechen außerdem den Richtlinien  
2006/42/EC, 2014/30/EU und 2011/65/EU.

Weitere Informationen erhalten Sie von Black & Decker unter der folgenden Adresse. Diese befindet sich auch auf der Rückseite dieser Anleitung.

Der Unterzeichnete ist verantwortlich für die Zusammenstellung der technischen Daten und gibt diese Erklärung im Namen von Black & Decker ab.

A. Smith  
Technical Director  
Black & Decker Europe, 210 Bath Road, Slough,  
Berkshire, SL1 3YD  
Vereinigtes Königreich  
28/02/2019

## Garantie

Black & Decker vertraut auf die Qualität der eigenen Geräte und bietet dem Käufer eine außergewöhnliche Garantie von 24 Monaten ab Kaufdatum. Diese Garantie versteht sich unbeschadet der gesetzlichen Gewährleistungsansprüche und schränkt diese keinesfalls ein. Diese Garantie gilt innerhalb

## DEUTSCH

(Übersetzung der ursprünglichen Anweisungen)

der Staatsgebiete der Mitgliedstaaten der Europäischen Union und der Europäischen Freihandelszone.

Zur Inanspruchnahme dieser Garantie muss sie den allgemeinen Geschäftsbedingungen von Black & Decker entsprechen und dem Verkäufer bzw. der Vertragswerkstatt ist ein Kaufnachweis vorzulegen. Die Bedingungen für die 2-jährige Garantie von Black & Decker und den Standort Ihrer nächstgelegenen Vertragswerkstatt finden Sie im Internet unter [www.2helpU.com](http://www.2helpU.com) oder indem Sie sich an die lokale Black & Decker-Niederlassung wenden, deren Adresse Sie in dieser Anleitung finden.

Ihr neues Black & Decker Produkt können Sie auf unserer Website unter [www.blackanddecker.de](http://www.blackanddecker.de) registrieren. Dort erhalten Sie auch Informationen über neue Produkte und Sonderangebote.

## FRANÇAIS

(Traduction des instructions originales)

### Utilisation prévue

Votre perceuse BLACK+DECKER KA160, KA160K KA161, KA161K BLACK+DECKER a été conçue pour poncer le bois, le métal, le plastique et les surfaces peintes. Cet outil est destiné à un usage grand public uniquement.

### Consignes de sécurité

#### Avertissements de sécurité générale liés aux outils électriques



**Avertissement ! Veuillez lire tous les avertissements de sécurité, toutes les instructions, les illustrations et les spécifications fournies avec cet outil électrique.**

Le non-respect des avertissements et des instructions listés ci-dessous peut entraîner des chocs électriques, des incendies et/ou de graves blessures.

**Conservez tous les avertissements et toutes les instructions afin de pouvoir vous y référer dans le futur.** Le terme "outil électrique" mentionné dans tous les avertissements listés ci-dessous fait référence à vos outils électriques branchés sur secteur (avec câble) ou fonctionnant sur pile ou batterie (sans fil).

#### 1. Sécurité de la zone de travail

- a. **Maintenez la zone de travail propre et bien éclairée.**  
Les zones sombres ou encombrées sont propices aux accidents.

(Traduction des instructions originales)

## FRANÇAIS

- b. **N'utilisez pas d'outils électriques dans un environnement présentant des risques d'explosion ou en présence de liquides, gaz ou poussières inflammables.** Les outils électriques créent des étincelles qui peuvent enflammer les poussières et les fumées.
- c. **Maintenez les enfants et les autres personnes éloignés lorsqu'un outil électrique est en marche.**  
Toute distraction peut vous faire perdre le contrôle de l'outil.

#### 2. Sécurité électrique

- a. **Les prises des outils électriques doivent correspondre à la prise de courant murale. Ne modifiez jamais la prise d'aucune sorte. N'utilisez aucun adaptateur avec des outils électriques reliés à la terre.** L'utilisation de prises d'origine et de prises murales appropriées permet de réduire le risque de choc électrique.
- b. **Évitez tout contact physique avec des surfaces reliées à la terre comme des tuyaux, des radiateurs, des fours et des réfrigérateurs par exemple.** Il y a sinon un risque accru de choc électrique si votre corps est lui-même relié à la terre.
- c. **N'exposez pas les outils électriques à la pluie, ni à l'humidité.** Le risque de choc électrique augmente si de l'eau pénètre dans un outil électrique.
- d. **Ne tirez pas sur le cordon d'alimentation. N'utilisez jamais le cordon pour transporter, tirer ou débrancher l'outil électrique. Maintenez le cordon éloigné de la chaleur, de substances grasses, de bords tranchants ou de pièces mobiles.** Les cordons endommagés ou emmêlés augmentent le risque de choc électrique.
- e. **Si vous utilisez un outil électrique à l'extérieur, utilisez une rallonge homologuée pour les travaux extérieurs.** L'utilisation d'une rallonge électrique homologuée pour les travaux en extérieur réduit le risque de choc électrique.
- f. **Si l'utilisation d'un outil électrique dans un endroit humide est inévitable, utilisez une alimentation électrique protégée par un disjoncteur différentiel à courant résiduel (DDR).** L'utilisation d'un disjoncteur différentiel réduit le risque de choc électrique.

#### 3. Sécurité des personnes

- a. **Restez vigilant, surveillez ce que vous faites et faites preuve de bon sens lorsque vous utilisez un outil électrique. N'utilisez pas d'outils électriques si vous êtes fatigué ou sous l'influence de drogue, d'alcool ou de médicaments.** Tout moment d'inattention pendant l'utilisation d'un outil électrique peut engendrer de graves blessures.
- b. **Portez des équipements de protection individuelle. Portez toujours une protection oculaire.** Les équipements de protection comme les masques à

poussière, les chaussures de sécurité antidérapantes, les casques ou les protections auditives, utilisés à bon escient, réduisent le risque de blessures.

- c. **Empêchez tout démarrage intempestif. Assurez-vous que l'interrupteur est en position Arrêt avant de raccorder l'outil à l'alimentation électrique et/ou au bloc-batterie ou avant de ramasser ou de transporter l'outil.** Le fait de transporter les outils électriques le doigt sur l'interrupteur ou d'alimenter les outils électriques dont l'interrupteur est déjà en position de marche augmente le risque d'accidents.
- d. **Retirez toutes les clés ou pinces de réglage avant de mettre l'outil en marche.** Une clé ou une pince restée fixée sur une pièce rotative de l'outil électrique peut engendrer des blessures.
- e. **Ne vous penchez pas. Gardez les pieds bien ancrés au sol et conservez votre équilibre en permanence.** Cela permet de mieux maîtriser l'outil électrique en cas de situations imprévues.
- f. **Portez des vêtements appropriés. Ne portez aucun vêtement ample ou bijou. Gardez vos cheveux, vos vêtements et vos gants éloignés des pièces mobiles.** Les vêtements amples, les bijoux ou les cheveux longs peuvent être happés par les pièces mobiles.
- g. **Si des dispositifs pour le raccordement d'un extracteur de poussières ou des installations pour la récupération sont présents, assurez-vous qu'ils sont correctement raccordés et utilisés.** L'utilisation de dispositifs récupérateurs de poussières réduit les risques liés aux poussières.
- h. **Ne pensez pas être familiarisé avec l'outil après l'avoir utilisé à de nombreuses reprises, au point de ne plus rester vigilant et d'en oublier les consignes de sécurité.** Toute action imprudente peut engendrer de graves blessures en une fraction de seconde.

#### 4. Utilisation et entretien des outils électriques

- a. **Respectez la capacité de l'outil. Utilisez l'outil approprié en fonction du travail à réaliser.** Un outil adapté fonctionne mieux, de façon plus sûre et à la cadence pour laquelle il a été conçu.
- b. **N'utilisez pas l'outil électrique si son interrupteur ne permet pas de l'allumer ou de l'éteindre.** Tout outil électrique qui ne peut plus être commandé par son interrupteur est dangereux et doit être réparé.
- c. **Débranchez la prise du secteur et/ou retirez le bloc-batterie de l'outil électrique avant d'effectuer tout réglage, de changer un accessoire ou de ranger l'outil électrique.** Ces mesures de sécurité préventives réduisent le risque de démarrage accidentel de l'outil électrique.
- d. **Rangez les outils électriques non utilisés hors de portée des enfants et ne laissez aucune personne ne**

**connaissant pas ces outils ou leurs instructions d'utilisation les faire fonctionner.** Les outils électriques peuvent être dangereux entre des mains inexpérimentées.

- e. **Entretenez vos outils électriques et leurs accessoires. Vérifiez que les pièces mobiles sont alignées correctement et qu'elles ne sont pas coincées. Vérifiez qu'aucune pièce n'est cassée et contrôlez l'absence de toute autre condition qui pourrait nuire au bon fonctionnement de l'outil. En cas de dommage, faites réparer l'outil électrique avant de l'utiliser.** De nombreux accidents sont provoqués par des outils électriques mal entretenus.
- f. **Maintenez les organes de coupe affûtés et propres.** Des organes de coupe bien entretenus et affûtés sont moins susceptibles de rester coincés et sont plus faciles à contrôler.
- g. **Utilisez l'outil électrique, les accessoires et les embouts d'outils conformément à ces instructions, en tenant compte des conditions de travail, ainsi que du travail à effectuer.** L'utilisation d'un outil électrique à des fins autres que celles pour lesquelles il a été prévu engendre des situations dangereuses.
- h. **Veillez à ce que les poignées et les surfaces de préhension restent sèches et propres, sans trace d'huile ou de graisse.** Des poignées glissantes et des surfaces grasses ne permettent pas de manipuler ou de contrôler l'outil de façon sûre en cas de situation inattendue.

#### 5. Révision/Réparation

- a. **Faites réparer votre outil électrique par une personne qualifiée, n'utilisant que des pièces de rechange d'origine.** Cela permet de garantir la sûreté de l'outil électrique.

#### Consignes de sécurité supplémentaires liées aux outils électriques



**Avvertissement !** Instructions de sécurité supplémentaires concernant les perceuses



**Avvertissement !** Tout contact ou inhalation de poussières pendant le ponçage peut présenter un danger pour la santé de l'opérateur et des personnes éventuellement présentes à proximité. Portez un masque anti-poussières spécialement conçu pour vous protéger des poussières et des fumées et veillez à ce que les personnes se trouvant à l'intérieur de la zone de travail ou y pénétrant soient également protégées.

- ◆ **Tenez l'outil électrique par ses surfaces de préhension isolées lorsque vous l'utilisez dans des endroits où l'accessoire de ponçage peut entrer en contact avec des fils cachés.** Tout contact de l'accessoire avec

un fil sous tension peut mettre les parties métalliques exposées de l'outil sous tension et provoquer un choc électrique à l'utilisateur.

◆ **Utilisez des pinces ou tout autre moyen pratique pour fixer et soutenir l'ouvrage sur une plateforme stable.**

Tenir l'ouvrage à la main ou contre votre corps le rend instable et peut conduire à une perte de contrôle.



**Avertissement !** Faire particulièrement attention lors du ponçage de certains bois (par ex. hêtre, chêne) et métaux qui peuvent produire de la poussière toxique. Porter un masque à poussière spécialement conçu pour la protection contre les poussières et fumées toxiques et s'assurer que les personnes dans la zone de travail ou y pénétrant sont également protégées.



**Avertissement !** Pour poncer des métaux ferreux, utilisez l'outil dans un endroit bien aéré. N'utilisez pas l'outil à proximité de liquides, de gaz ou de poussières inflammables. Les étincelles et les particules chaudes provenant des balais de moteur pendant le ponçage ou la formation d'un arc peuvent enflammer les matériaux combustibles.



**Avertissement !** Ne poncez pas du magnésium ! Cela risquerait de provoquer un incendie ou une explosion.

- ◆ Enlevez soigneusement toute la poussière après le ponçage.
- ◆ L'usage prévu est décrit dans ce manuel d'utilisation. L'utilisation d'un accessoire ou d'une fraise non spécifié ou l'utilisation de cet outil à d'autres fins que celles recommandées dans ce manuel d'utilisation présentent un risque de blessures et/ou de dommages matériels.

## Sécurité pendant le ponçage de peinture



**Avertissement !** Respectez les réglementations applicables lorsque vous poncez de la peinture. Accordez une attention particulière aux points suivants :

- ◆ Dans la mesure du possible, utilisez un aspirateur pour collecter les poussières.
- ◆ Soyez particulièrement vigilant lorsque vous poncez de la peinture susceptible de contenir du plomb qui pourrait produire des poussières toxiques :
  - ◆ Ne laissez pas les enfants ou les femmes enceintes entrer dans la zone de travail.
  - ◆ Toutes les personnes qui pénètrent dans la zone de travail doivent porter un masque spécialement conçu

pour assurer une protection contre les poussières et fumées de peinture contenant du plomb.

- ◆ Ne mangez pas, ne buvez pas ou ne fumez pas dans la zone de travail.
- ◆ Débarrassez-vous de toutes les particules de poussière et autres débris de façon sûre.

## Sécurité des personnes

- ◆ Ce chargeur peut être utilisé par des enfants âgés de 8 ans ou plus et par des personnes aux capacités physiques, mentales ou sensorielles réduites ou qui manquent d'expérience ou de connaissance s'ils sont supervisés ou ont été formés à l'utilisation sûre de l'appareil et qu'ils sont conscients des dangers potentiels.
- ◆ Ne laissez pas les enfants jouer avec l'appareil. Le nettoyage et la maintenance à réaliser par l'utilisateur ne doivent pas être entrepris par des enfants sans surveillance.

## Risques résiduels

Certains risques résiduels autres que ceux mentionnés dans les avertissements sur la sécurité peuvent survenir en utilisant l'outil. Ces risques peuvent être provoqués par une utilisation incorrecte, prolongée, etc.

Malgré l'application des normes de sécurité pertinentes et la mise en œuvre de dispositifs de sécurité, certains risques résiduels ne peuvent pas être évités. Ils comprennent :

- ◆ Les blessures dues au contact avec des pièces rotatives/mobiles.
- ◆ Les blessures dues au remplacement de pièces, de lames ou d'accessoires.
- ◆ Les blessures dues à l'utilisation prolongée d'un outil. Lorsque vous utilisez un outil quel qu'il soit pendant de longues périodes, assurez-vous de faire des pauses régulières.
- ◆ La diminution de l'acuité auditive.
- ◆ Les risques pour la santé provoqués par l'inhalation des poussières générées pendant l'utilisation de votre outil (exemple : travail avec du bois, surtout le chêne, le hêtre et les panneaux en MDF).

## Vibrations

La valeur des émissions de vibrations déclarée dans les caractéristiques techniques et la déclaration de conformité a été mesurée conformément à la méthode de test normalisée établie par la norme EN62841 et elle peut être utilisée pour comparer un outil à un autre. La valeur des émissions de vibrations déclarée peut aussi être utilisée pour une évaluation préliminaire à l'exposition.

**Avertissement !** En fonction de la manière dont l'outil est utilisé, la valeur des émissions de vibrations réelles pendant l'utilisation de l'outil peut différer de la valeur déclarée. Le niveau des vibrations peut dépasser le niveau déclaré.



Quand l'exposition aux vibrations est évaluée afin de déterminer les mesures de sécurité requises par la norme 2002/44/CE pour protéger les personnes utilisant régulièrement des outils électriques, cette estimation doit tenir compte des conditions réelles d'utilisation et de la façon dont l'outil est utilisé. Il faut également tenir compte de toutes les composantes du cycle de fonctionnement comme la durée pendant laquelle l'outil est arrêté et quand il fonctionne au ralenti, ainsi que la durée du déclenchement.

### Sécurité électrique



Votre chargeur dispose d'une double isolation ; aucun fil de terre n'est donc nécessaire. Vérifiez toujours que la tension du réseau électrique correspond à la tension figurant sur la plaque signalétique. N'essayez jamais de remplacer le module de charge par une prise secteur ordinaire.

- ◆ Si le câble d'alimentation est endommagé, il doit être remplacé par le fabricant ou par un centre d'assistance agréé BLACK+DECKER afin d'éviter tout risque

### Étiquettes apposées sur l'outil

Outre le code de date, les symboles suivants sont apposés sur l'outil :



**Attention !** Afin de réduire les risques de blessures, l'utilisateur doit lire le manuel d'instructions.

### Sécurité électrique



L'outil est doublement isolé ; par conséquent, aucun câble de masse n'est nécessaire. Vérifiez si le voltage mentionné sur la plaque signalétique de la machine correspond bien à la tension de secteur présente sur lieu.

- ◆ Si le câble d'alimentation est endommagé, il doit être remplacé par le fabricant ou par un centre de réparation agréé BLACK+DECKER afin d'éviter tout accident.

### Caractéristiques

Cet outil comprend toutes ou certaines des caractéristiques suivantes.

1. Interrupteur marche/arrêt
2. Connecteur d'extraction de poussière
3. Base
4. Support de pointe
5. Pointe de base de ponçage
6. Accessoire doigt
7. Accessoire profil
8. Vis
9. Profils de ponçage

De plus, cet outil comporte quelques uns ou tous les éléments suivants :

Accessoire	Application et utilisation recommandées
Papier de verre gros grain	Décapant rapide pour peinture, vernis et rouille
Papier de verre grain moyen	Décapant pour peinture, vernis et rouille
Papier de verre grain fin	Ponçage et finition de surfaces
Papier de verre grain extra-fin	Ponçage entre deux couches
Pointes de ponçage de précision	Angles et lieux d'accès difficile
1 OT laine de polissage / décapage	Polissage des métaux, décapage de vernis et nettoyage de verre
Tampon en mousse gris	Application et décapage de poli
Tampon rouge non-tissé	Lavage profond et décapage de la rouille
Papier abrasif gris	Polissage de plastiques
Accessoires de contour	Courbes et profils

### Assemblage

**Attention !** Avant l'assemblage, assurez-vous que l'outil est éteint et débranché.

### Mise en place des feuilles de ponçage (fig. A & B)

- ◆ Détachez les deux pointes en forme de losange (10) de la feuille de ponçage (11).
- ◆ Détachez les deux pointes en forme de losange (10) de la feuille de ponçage (11).
- ◆ Placez la feuille (11) sur la base de ponçage, en veillant à ce que les orifices de la feuille coïncident avec ceux de la base.

La pointe en forme de losange (10) peut être inversée et remplacée lorsqu'elle est usée.

- ◆ Lorsque la partie avant de la pointe est usée, détachez-la de la feuille, retournez-la et enfoncez-la à nouveau sur la base.
- ◆ Lorsque la pointe est complètement usée, retirez-la de la base de ponçage et installez une nouvelle pointe.
- ◆ Les mousses et les tampons de polissage (14) peuvent être mis en place de la même manière que les feuilles de ponçage.

### Pointe de la base de ponçage (fig. C)

Lorsque la pointe de la base de ponçage (5) ou le support de pointe (4) sont usés, ils peuvent être inversés ou remplacés. Vous pouvez vous procurer les pièces de rechange auprès des détaillants BLACK+DECKER.

- ◆ Enlevez la vis (8).
- ◆ Inversez ou remplacez la pièce usée.
- ◆ Mettez la vis en place et serrez-la.

### Accessoire doigt (fig. D)

Le doigt fourni comme accessoire est utilisé pour le ponçage de précision.

- ◆ Enlevez la vis (8).
- ◆ Démontez le support de pointe en losange (4) de la base de ponçage.
- ◆ Placez le doigt (6) sur la base de ponçage.
- ◆ Mettez la vis en place et serrez-la.
- ◆ Placez la feuille de ponçage adéquate (12) sur l'accessoire doigt.

### Accessoire profil (uniquement KA160K/KA161K) (fig. E)

Le profil fourni comme accessoire est utilisé pour le ponçage de profils.

- ◆ Enlevez la vis (8).
- ◆ Démontez le support de pointe en losange (4) de la base de ponçage.
- ◆ Placez l'accessoire profil (7) sur la base de ponçage.
- ◆ Mettez la vis en place et serrez-la.

### Mise en place et retrait du profil de ponçage (fig. F1 & F2)

- ◆ Choisissez le profil de ponçage le mieux adapté à votre application.
- ◆ Placez une extrémité du profil de ponçage (9) sur l'encoche à l'avant du support de profil (7).
- ◆ Emboîtez l'autre extrémité du profil de ponçage.
- ◆ Pour démonter le profil de ponçage, tirez-le vers l'avant et extrayez l'extrémité arrière du support de profil (fig. F2).

### Mise en place de la feuille de ponçage sur un profil de ponçage (fig. G)

- ◆ Alignez la feuille de ponçage (13) avec le profil de ponçage (9).
- ◆ Enfoncez la feuille de ponçage sur le profil de ponçage, en vérifiant que la feuille de ponçage suit bien la forme du profil.

### Utilisation

**Attention !** Prenez soin de ne pas boucher les orifices de ventilation lorsque vous utilisez l'outil. Tenez l'outil comme indiqué sur la fig. H. Assurez-vous que la base de ponçage est bien posée à plat sur la pièce à travailler.

### Branchement de l'aspirateur (fig. I)

L'outil possède un adaptateur pour brancher un aspirateur lors du ponçage du bois. Pour brancher un aspirateur, procédez comme suit :

**Attention !** Assurez-vous que l'outil est bien hors tension et débranché.

- ◆ Placez le connecteur d'extraction de poussières (2) sur l'adaptateur à l'arrière de l'outil.
- ◆ Branchez le tuyau d'un aspirateur adéquat au connecteur.

### Utilisation

**Attention !** Laissez l'outil fonctionner à sa propre vitesse. Ne le surchargez pas.

### Démarrage et arrêt (fig. J)

**Attention !** Avant de brancher l'outil sur le secteur, assurez-vous qu'il est en position d'arrêt.

- ◆ Pour mettre l'outil sous tension, appuyez sur la partie marquée «I» de l'interrupteur marche/arrêt (1).
- ◆ Pour mettre l'outil hors tension, appuyez sur la partie marquée «0» de l'interrupteur marche/arrêt (1).

### Accessoires

Les performances de votre outil dépendent de l'accessoire que vous utilisez. Les accessoires BLACK+DECKER et Piranha sont conçus selon les normes de haute qualité pour améliorer les performances de votre outil. En utilisant ces accessoires, vous obtiendrez les meilleurs résultats de votre outil.

### Entretien

Votre outil a été conçu pour fonctionner pendant longtemps avec un minimum d'entretien. Un fonctionnement continu satisfaisant dépend d'un nettoyage régulier et d'un entretien approprié de l'outil.

**Attention !** Avant d'effectuer tout entretien, éteignez et débranchez l'outil.

- ◆ Nettoyez régulièrement les orifices de ventilation de votre outil à l'aide d'une brosse douce ou d'un chiffon sec.
- ◆ Nettoyez régulièrement le compartiment du moteur à l'aide d'un chiffon humide. N'utilisez pas de produit abrasif ou à base de solvant.

### Protection de l'environnement



Tri sélectif. Les produits et batteries marqués de ce symbole ne doivent pas être jetés avec les déchets ménagers.

Les produits et batteries contiennent des matières qui peuvent être récupérées et recyclées afin de réduire la demande en matières premières.

Veillez à recycler les produits électriques et les piles et batteries conformément aux dispositions locales en vigueur. Plus d'informations sont disponibles sur le site [www.2helpU.com](http://www.2helpU.com)

### Caractéristiques techniques

KA160, KA160K KA161, KA161K Type 1		
Tension	$V_{ac}$	230
Puissance absorbée	W	55
Vitesse à vide	$\text{min}^{-1}$	11,000
Poids	kg	0.8

Niveau de pression acoustique selon EN 62841:	
$L_{PA}$ (Pression acoustique) 66 dB(A), incertitude (K) 3 dB(A)	
$L_{WA}$ (Puissance acoustique) 79 dB(A), incertitude (K) 3 dB(A)	
Valeurs totales de vibration (somme vectorielle triax) selon EN 62841:	
Valeur d'émissions de vibrations ( $a_w$ ) 5.6 $\text{m/s}^2$ , incertitude (K) 1.5 $\text{m/s}^2$	

### Déclaration de conformité CE

DIRECTIVES MACHINES



Ponceuse - KA160, KA160K KA161, KA161K

Black & Decker déclare que les produits décrits dans les «Caractéristiques techniques» sont conformes aux normes : EN62841-1:2015 , EN62841-2-4:2014.

Ces produits sont également conformes aux Directives 2006/42/CE, 2014/30/UE et 2011/65/UE.

Pour plus de détails, veuillez contacter Black & Decker à l'adresse suivante ou consultez la dernière page du manuel.

Le soussigné est responsable de la compilation des données de la fiche technique et fait cette déclaration au nom de Black & Decker.

A. Smith  
Technical Director  
Black & Decker Europe, 210 Bath Road, Slough,  
Berkshire, SL1 3YD  
Royaume-Uni  
28/02/2019

### Garantie

Black & Decker assure la qualité de ses produits et offre une garantie de 24 mois aux utilisateurs, à partir de la date

d'achat. Cette garantie s'ajoute à vos droits légaux auxquels elle ne porte aucunement préjudice. Cette garantie est valable au sein des territoires des États membres de l'Union Européenne et au sein de la Zone européenne de libre-échange.

Pour prétendre à la garantie, la réclamation doit être en conformité avec les conditions générales de Black & Decker et vous devez fournir une preuve d'achat au vendeur ou au réparateur agréé. Les conditions générales de la garantie de 2 ans Black & Decker ainsi que l'adresse du réparateur agréé le plus proche sont disponibles sur le site Internet [www.2helpU.com](http://www.2helpU.com) ou en contactant votre agence Black & Decker locale à l'adresse indiquée dans ce manuel.

Veillez consulter notre site Internet [www.blackanddecker.co.uk](http://www.blackanddecker.co.uk) pour enregistrer votre nouveau produit Black & Decker et pour être tenu informé des nouveaux produits et offres spéciales.

### Uso previsto

La levigatrice BLACK+DECKER KA160, KA160K KA161, KA161K è stata progettata per levigare superfici verniciate e in legno, metallo e plastica. Questo utensile è destinato esclusivamente all'uso privato.

### Istruzioni di sicurezza

#### Avvertenze di sicurezza generali per gli elettroutensili



**Avvertenza! Leggere attentamente tutte le avvertenze e le istruzioni di sicurezza.** La mancata osservanza delle avvertenze e istruzioni elencate di seguito potrebbe dar luogo a scosse elettriche, incendi e/o infortuni gravi.

**Conservare tutte le avvertenze e le istruzioni per consultazioni successive.** Il termine "elettrostrumento" che ricorre in tutte le avvertenze seguenti si riferisce a utensili elettrici alimentati attraverso la rete elettrica (con filo) o a batteria (senza filo).

#### 1. Sicurezza nell'area di lavoro

- Mantenere pulita e bene illuminata l'area di lavoro.** Gli ambienti disordinati o scarsamente illuminati favoriscono gli incidenti.

- b. **Evitare di usare gli elettrodomestici in ambienti esposti a rischio di esplosione, ad esempio in presenza di liquidi, gas o polveri infiammabili.** Gli elettrodomestici generano scintille che possono incendiare le polveri o i fumi.
- c. **Tenere lontani bambini e le altre persone presenti durante l'uso dell'elettrodomestico.** Eventuali distrazioni possono provocare la perdita di controllo.
- 2. Sicurezza elettrica**
- a. **Le spine elettriche degli elettrodomestici devono essere adatte alla presa di corrente. Non modificare la spina in alcun modo. Non utilizzare spine con adattatore con gli elettrodomestici dotati di messa a terra.** Per ridurre il rischio di scossa elettrica evitare di modificare le spine e utilizzare sempre le prese di corrente appropriate.
- b. **Evitare il contatto fisico con superfici collegate a terra, quali tubi, radiatori, forni e frigoriferi.** Se il corpo dell'operatore è collegato a terra, il rischio di scossa elettrica aumenta.
- c. **Custodire gli elettrodomestici al riparo dalla pioggia o dall'umidità.** Se penetra dell'acqua all'interno dell'elettrodomestico, il rischio di scosse elettriche aumenta.
- d. **Non utilizzare il cavo di alimentazione in modo improprio. Non spostare, tirare o scollegare mai l'elettrodomestico tirandolo dal cavo. Tenere il cavo di alimentazione lontano da fonti di calore, olio, bordi taglienti o parti in movimento.** Se il cavo di alimentazione è danneggiato o impigliato, il rischio di scossa elettrica aumenta.
- e. **Se l'elettrodomestico viene utilizzato all'aperto, usare esclusivamente prolunghie omologate per l'impiego all'esterno.** L'uso di un cavo di alimentazione adatto ad ambienti esterni riduce il rischio di scossa elettrica.
- f. **Se non è possibile evitare di lavorare in una zona umida, collegarsi a una rete elettrica protetta da un interruttore differenziale (RCD).** L'uso di un interruttore differenziale riduce il rischio di scossa elettrica.
- 3. Sicurezza delle persone**
- a. **È importante rimanere concentrati su ciò che si sta facendo e maneggiare l'elettrodomestico con giudizio. Non utilizzare un elettrodomestico quando si è stanchi o sotto l'effetto di droghe, alcool o medicinali.** Un solo attimo di distrazione durante l'uso dell'elettrodomestico potrebbe provocare gravi lesioni personali.
- b. **Usare dispositivi di protezione individuale. Indossare sempre dispositivi di protezione oculare.** L'uso di dispositivi di protezione, quali mascherine antipolvere, scarpe antinfortunistiche antiscivolo, elmetti o protezioni auricolari, in condizioni opportune consente di ridurre le lesioni personali.
- c. **Impedire l'avviamento involontario. Accertarsi che l'interruttore di accensione sia in posizione "off" (spento), prima di collegare l'elettrodomestico alla rete elettrica e/o alla batteria, di prenderlo in mano o di trasportarlo.** Per non esporsi al rischio di incidenti, non trasportare l'elettrodomestico tenendo le dita sull'interruttore e non collegarlo a una fonte di alimentazione elettrica con l'interruttore acceso.
- d. **Prima di accendere un elettrodomestico, rimuovere gli utensili di regolazione o le chiavi eventualmente presenti.** Un utensile di regolazione o una chiave fissati su una parte rotante dell'elettrodomestico può provocare lesioni a persone.
- e. **Non sbilanciarsi. Mantenere sempre un appoggio e un equilibrio adeguati.** In tal modo è possibile mantenere un migliore controllo dell'elettrodomestico nelle situazioni impreviste.
- f. **Vestirsi adeguatamente. Non indossare abiti lenti o gioielli. Tenere i capelli, i vestiti e i guanti lontano dalle parti mobili.** Abiti larghi, gioielli o capelli lunghi possono impigliarsi nelle parti in movimento.
- g. **Se gli elettrodomestici sono provvisti di attacchi per il collegamento di dispositivi di aspirazione o di raccolta della polvere, assicurarsi che questi siano installati e utilizzati correttamente.** La raccolta delle polveri può ridurre i pericoli legati a queste ultime.
- h. **Non lasciare che la familiarità acquisita dall'uso frequente degli utensili induca a cedere alla tentazione di ignorare i principi di utilizzo sicuro degli stessi.** Un'azione imprudente potrebbe provocare lesioni gravi in una frazione di secondo.
- 4. Uso e cura dell'elettrodomestico**
- a. **Non sovraccaricare l'elettrodomestico. Utilizzare l'elettrodomestico adatto per il lavoro da eseguire.** L'elettrodomestico corretto funzionerà meglio e in modo più sicuro, se utilizzato alla velocità per cui è stato progettato.
- b. **Non utilizzare elettrodomestici con interruttori difettosi.** Qualsiasi elettrodomestico che non possa essere controllato tramite l'interruttore è pericoloso e deve essere riparato.
- c. **Scollegare la spina dalla presa di corrente e/o la batteria dall'elettrodomestico prima di regolarlo, sostituirne gli accessori o di riparlo.** Queste misure di sicurezza preventive riducono il rischio di azionare accidentalmente l'elettrodomestico.
- d. **Quando non vengono usati, gli elettrodomestici devono essere custoditi fuori dalla portata dei bambini. Non consentire l'uso dell'elettrodomestico a persone inesperte o che non abbiano letto le presenti istruzioni.** Gli elettrodomestici sono pericolosi in mano a persone inesperte.
- e. **Sottoporre gli elettrodomestici a regolare manutenzione. Verificare che le parti mobili siano correttamente**

**allineate e non inceppate, che non vi siano componenti rotti e che non sussistano altre condizioni che possono compromettere il funzionamento dell'elettrotensile. Se danneggiato, far riparare l'elettrotensile prima dell'uso.** Molti incidenti sono provocati da elettrotensili non sottoposti a corretta manutenzione.

- f. **Mantenere affilati e puliti gli strumenti da taglio.** La manutenzione corretta degli utensili da taglio con bordi affilati riduce le probabilità di inceppamento e ne facilita il controllo.
- g. **Utilizzare l'elettrotensile, gli accessori e le punte in conformità alle presenti istruzioni, tenendo conto delle condizioni operative e del lavoro da completare.** L'utilizzo dell'elettrotensile per impieghi diversi da quelli previsti può dare luogo a situazioni di pericolo.
- h. **Mantenere le impugnature e le superfici di presa asciutte, pulite e senza tracce di olio o grasso.** Maniglie e superfici di presa scivolose non consentono di maneggiare e controllare in modo sicuro l'utensile nel caso di imprevisti.
5. **Assistenza**
- a. **Fare riparare l'elettrotensile esclusivamente da personale specializzato e utilizzando esclusivamente ricambi originali.** In questo modo sarà possibile mantenere la sicurezza dell'elettrotensile.

### Altre avvertenze di sicurezza riguardanti gli elettrotensili



**Avvertenza!** Ulteriori avvertenze di sicurezza per le levigatrici



**Avvertenza!** Il contatto o l'inalazione della polvere generata dalla levigatura potrebbe nuocere alla salute dell'operatore e delle eventuali altre persone presenti. Indossare una mascherina antipolvere specifica per polveri e fumi e accertarsi che anche le persone presenti nell'area di lavoro o che vi entrano siano adeguatamente protetti.

- ◆ **Tenere l'elettrotensile afferrando le impugnature isolate se vi è la possibilità che l'accessorio di levigatura possa venire a contatto con fili elettrici nascosti o con il cavo di alimentazione.** Il contatto tra l'accessorio e un filo sotto tensione mette sotto tensione le parti metalliche esposte dell'elettrotensile e potrebbe esporre l'operatore a scosse elettriche.
- ◆ **Usare morse o altri metodi pratici per fissare e sostenere il pezzo in lavorazione su una piattaforma stabile.** Tenere il pezzo in lavorazione con le mani o contro il corpo non ne assicura la stabilità e potrebbe comportare la perdita di controllo.



**Avvertenza!** Prestare particolare attenzione durante la levigatura di alcuni tipi di legno (es. faggio, quercia) e di metalli che potrebbero generare polveri tossiche. Indossare una maschera anti-polvere appositamente progettata per proteggere dalle polveri e dai fumi tossici e assicurarsi che anche le persone che si trovano all'interno dell'area di lavoro o che stiano per entrarvi siano protette.



**Avvertenza!** Quando si levigano metalli ferrosi, lavorare in una zona ben ventilata. Non usare l'elettrotensile vicino a liquidi infiammabili, gas o polvere. Le scintille o le particelle calde generati dalla levigatura o l'arco elettrico prodotto dalle spazzole del motore potrebbero incendiare i materiali combustibili.



**Avvertenza!** Non levigare il magnesio! Comporta il rischio di incendi o esplosioni.

- ◆ Dopo la levigatura, rimuovere tutta la polvere.
- ◆ L'uso previsto è indicato nel presente manuale. Se questo elettrotensile viene impiegato con accessori o per usi diversi da quelli raccomandati nel presente manuale, potrebbero verificarsi lesioni personali e/o danni alle cose.

### Precauzioni per la levigatura di superfici verniciate



**Avvertenza!** Osservare le norme di sicurezza previste per la levigatura di superfici levigate. Prestare particolare attenzione a quanto segue:

- ◆ Se possibile, utilizzare sempre un aspirapolvere per raccogliere la polvere.
- ◆ Fare molta attenzione quando si levigano vernici che probabilmente contengono piombo e la cui polvere può essere tossica:
  - ◆ Vietare l'ingresso nell'area di lavoro a bambini o donne in gravidanza.
  - ◆ Tutte le persone che accedono all'area di lavoro devono indossare una mascherina specifica per fumi e polveri di vernice a base di piombo.
  - ◆ Non mangiare, bere o fumare nell'area di lavoro.
- ◆ Smaltire polvere e rifiuti adottando le necessarie misure di sicurezza.

### Sicurezza altrui

- ◆ Questo caricabatterie può essere usato da bambini dagli 8 anni in su e da persone portatrici di handicap fisici, psichici o sensoriali o che non abbiano la dovuta esperienza o conoscenza, sempre che siano seguite o opportunamente istruite sull'uso sicuro e comprendano i pericoli inerenti.

- ◆ I bambini non devono giocare con l'elettrodomestico. Gli interventi di pulizia e di manutenzione da parte dell'utilizzatore non devono essere eseguiti da bambini senza supervisione.

### Rischi residui

L'utilizzo dell'apparecchio può comportare rischi residui non necessariamente riportati nelle presenti avvertenze di sicurezza. Tali rischi possono sorgere a seguito di un uso prolungato o improprio, ecc.

Malgrado il rispetto delle norme di sicurezza pertinenti e l'implementazione di dispositivi di sicurezza, alcuni rischi residui non possono essere evitati. Sono inclusi:

- ◆ lesioni causate o subite a seguito del contatto con parti rotanti/in movimento;
- ◆ lesioni causate o subite durante la sostituzione di parti, lame o accessori;
- ◆ lesioni causate dall'impiego prolungato di un elettroutensile; (quando si utilizza qualsiasi apparecchio per lunghi periodi, accertarsi di fare regolarmente delle pause);
- ◆ menomazioni uditive;
- ◆ rischi per la salute causati dall'aspirazione di polvere generata dall'utilizzo dell'elettroutensile (ad esempio quando si lavora con il legno, in modo particolare quello di quercia, faggio o l'MDF).

### Vibrazioni

I valori delle emissioni di vibrazioni dichiarati, indicati al paragrafo Dati tecnici e nella dichiarazione di conformità, sono stati misurati in base al metodo di prova standard previsto dalla normativa EN62841 e possono essere usati come parametri di confronto tra due utensili. Il valore delle emissioni di vibrazioni dichiarato può anche essere usato come valutazione preliminare dell'esposizione.

**Avvertenza!** Il valore delle emissioni di vibrazioni durante l'impiego effettivo dell'elettroutensile può variare da quello dichiarato a seconda delle modalità d'uso. Il livello delle vibrazioni può aumentare oltre quello dichiarato.

Quando si valuta l'esposizione alle vibrazioni per determinare le misure di sicurezza richieste dalla normativa 2002/44/CE destinata alla protezione delle persone che utilizzano regolarmente elettroutensili per lo svolgimento delle proprie mansioni, è necessario prendere in considerazione le condizioni effettive di utilizzo e il modo in cui l'elettroutensile viene usato, oltre che tenere conto di tutte le componenti del ciclo operativo, vale a dire i periodi in cui l'elettroutensile rimane spento, quelli in cui è acceso ma fermo e quelli in cui viene effettivamente utilizzato.

### Etichette sull'elettroutensile

Sull'elettroutensile sono presenti i seguenti simboli assieme al codice data:



**Attenzione!** Per ridurre il rischio di lesioni, l'utente deve leggere la guida all'uso.

### Sicurezza elettrica



Il doppio isolamento di cui è provvisto il caricabatterie rende superfluo il filo di terra. Controllare sempre che la tensione di rete corrisponda a quella indicata sulla targhetta dei dati tecnici. Non tentare mai di sostituire il caricabatterie con una spina elettrica tradizionale.

- ◆ In caso di danneggiamento del cavo di alimentazione, è necessario farlo riparare dal fabbricante o presso un centro assistenza BLACK+DECKER autorizzato in modo da evitare pericoli.

### Funzioni

Questo strumento è dotato di tutte le caratteristiche elencate di seguito, o di alcune di esse.

1. Interruttore acceso/spento
2. Connettore per il raccogli-polvere
3. Base
4. Portapunta
5. Punta della base di levigatura
6. Piastra per dettagli
7. Accessorio per profili
8. Vite
9. Profili per levigare

Questo strumento, inoltre, viene fornito con alcuni o tutti i seguenti accessori:

Accessorio	Uso e applicazione consigliati
Carta vetrata a grana grossa	Rimozione di ruggine, vernici o pitture rapide
Carta vetrata a grana media	Rimozione di ruggine, vernici e pitture
Carta vetrata a grana sottile	Rifinitura di superfici
Carta vetrata a grana extrasottile	Levigatura intermedia tra rivestimenti
Punte per levigatura di precisione	Angoli e punti difficilmente accessibili
1 OT lana smeriglio	Lucidatura di metalli, smerigliatura di vernici e pulizia di vetri

Accessorio	Uso e applicazione consigliati
Tampone di spugna grigio	Applicazione e rimozione di lucidanti
Spugna rossa non-tessuto	Lavaggio energico e rimozione di ruggine
Carta abrasiva grigia	Lucidatura di materie plastiche
Accessori per bordi	Curve e profili

## Montaggio

**Attenzione!** Prima di montarlo assicuratevi che l'utensile sia spento e desinserito.

### Inserimento dei fogli di carta vetrata (fig. A & B)

- ◆ Staccare le due punte romboidali (10) dal foglio di carta abrasiva (11).
- ◆ Sostenere l'elettrotensile con la base di levigatura rivolta verso l'alto.
- ◆ Collocare il foglio di carta abrasiva (11) sulla base di levigatura, verificando che i fori del foglio coincidano con i fori sulla base.

Una punta romboidale (10) usurata può essere girata e sostituita quando è del tutto consumata.

- ◆ Quando la parte anteriore della punta è consumata, staccarla dal foglio, girarla e premerla di nuovo sulla base di levigatura.
- ◆ Quando l'intera punta è consumata, toglierla dalla base di levigatura ed installarne una nuova.
- ◆ I tamponi e le spugne per levigare (14) vanno installati come i fogli di carta vetrata.

### Punta della base di levigatura (fig. C)

Quando la punta della base di levigatura (5) o il relativo supporto (4) sono usurati, possono essere girati o sostituiti. Le parti di ricambio sono disponibili presso il concessionario locale BLACK+DECKER.

- ◆ Rimuovere la vite (8).
- ◆ Girare o sostituire il pezzo usurato.
- ◆ Inserire e serrare la vite.

### Piastra per dettagli (fig. D)

L'accessorio lungo è utilizzato per la levigatura di precisione.

- ◆ Rimuovere la vite (8).
- ◆ Smontare il portapunte romboidale (4) dalla base di levigatura.
- ◆ Installare l'accessorio lungo (6) sulla base di levigatura.
- ◆ Inserire e serrare la vite.
- ◆ Inserire il foglio di carta vetro adatto (12) sulla piastra per dettagli.

### Accessorio per profili (solo KA160K/KA161K) (fig. E)

L'accessorio per profili deve essere usato per levigare i bordi.

- ◆ Rimuovere la vite (8).
- ◆ Smontare il portapunte romboidale (4) dalla base di levigatura.
- ◆ Installare l'accessorio per profili (7) sulla base di levigatura.
- ◆ Inserire e serrare la vite.

### Inserimento ed estrazione di un profilo di smerigliatura (fig. F1 & F2)

- ◆ Scegliere il profilo di levigatura adatto al lavoro da eseguire.
- ◆ Collocare un'estremità del profilo di levigatura (9) nella nicchia sul lato anteriore del portaprofilo (7).
- ◆ Spingere l'altra estremità del profilo finché non scatta in posizione.
- ◆ Per smontare il profilo di smerigliatura, spingerlo in avanti e tirare l'estremità posteriore fuori dal portaprofilo (fig. F2).

### Inserimento di un foglio di carta vetrata su un profilo di levigatura (fig. G)

- ◆ Allineare il foglio di carta vetrata (13) con il profilo di levigatura (9).
- ◆ Premere sul profilo di levigatura il foglio di carta vetrata, accertando che segua la forma del profilo.

## Uso

**Attenzione!** Non ostruire le prese di ventilazione quando si adopera l'attrezzo. L'attrezzo va mantenuto come mostra la fig. H. Verificare che la base di levigatura poggi piatta sul pezzo da lavorare.

### Attacco di un aspirapolvere (fig. I)

L'attrezzo dispone di un adattatore per il collegamento a un aspirapolvere quando si leviga il legno. Per collegare l'attrezzo a un aspirapolvere, procedere come segue:

**Attenzione!** Verificare che l'elettrotensile sia spento e che la spina non sia inserita nella presa.

- ◆ Collocare il connettore per il raccogli-polvere (2) sull'adattatore che si trova dietro l'attrezzo.
- ◆ Attaccare al connettore il flessibile di un aspirapolvere adatto.

## Uso

**Attenzione!** Lasciare che l'utensile lavori al suo ritmo, senza sovraccaricarlo.

### Avviamento e spegnimento (fig. J)

**Attenzione!** Prima di collegare l'attrezzo all'alimentazione, controllare che sia spento.

- ◆ Per accendere l'utensile, premere l'interruttore on/off (1) sul lato con la "I".
- ◆ Per spegnere l'utensile, premere l'interruttore on/off (1) sul lato con la "0".

## Accessori

Le prestazioni dell'utensile dipendono dall'accessorio usato. Gli accessori BLACK+DECKER e Piranha, che sono prodotti di altissima qualità, sono stati progettati per ottimizzare la resa dell'utensile. Quando si scelgono questi accessori l'utensile offre prestazioni eccellenti.

## Manutenzione

Questo elettrotensile è stato progettato per funzionare a lungo con un minimo di manutenzione. Per un funzionamento sempre soddisfacente è necessario avere cura dell'elettrotensile e provvedere alla regolare pulizia.

**Attenzione!** Prima di eseguire qualsiasi intervento di manutenzione, spegnere l'elettrotensile e disinserire la spina dalla presa.

- ◆ Le feritoie di ventilazione dell'elettrotensile devono essere pulite regolarmente con un pennello morbido o un panno asciutto.
- ◆ Il vano del motore deve essere pulito regolarmente con un panno umido. Non usare materiali abrasivi o detergenti a base di solventi.

## Protezione dell'ambiente



Raccolta differenziata. I prodotti e le batterie contrassegnati con questo simbolo non devono essere smaltiti con i rifiuti domestici normali.

Essi contengono materiali che possono essere recuperati o riciclati riducendo la richiesta di materie prime. Riciclare i prodotti elettrici e le batterie secondo le disposizioni locali. Ulteriori informazioni sono disponibili all'indirizzo [www.2helpU.com](http://www.2helpU.com)

## Dati tecnici

		KA160, KA160K KA161, KA161K Type 1
Tensione	V <sub>ac</sub>	230
Potenza assorbita	W	55
Velocità a vuoto	min <sup>-1</sup>	11,000
Peso	kg	0.8

### Livello di pressione sonora, dati conformi alla norma EN 62841:

L<sub>pa</sub> (Pressione sonora) 66 dB(A), incertezza (K) 3 dB(A)

L<sub>wa</sub> (Potenza acustica) 79 dB(A), incertezza (K) 3 dB(A)

### Valori totali vibrazioni (somma vettoriale triassiale) in base a EN 62841:

Valore emissioni vibrazioni (a<sub>v</sub>) 5.6 m/s<sup>2</sup>, incertezza (K) 1.5 m/s<sup>2</sup>

## Dichiarazione di conformità CE

DIRETTIVA MACCHINE



Levigatrice - KA160, KA160K KA161, KA161K

Black & Decker dichiara che i prodotti descritti al capitolo "Dati tecnici" sono conformi alle seguenti norme: EN62841-1:2015, EN62841-2-4:2014.

Questi prodotti inoltre sono conformi alle Direttive 2006/42/CE, 2014/30/UE e 2011/65/UE.

Per maggiori informazioni contattare Black & Decker al seguente indirizzo oppure consultare l'ultima di copertina del manuale.

Il sottoscritto è responsabile della redazione di questo documento tecnico e rilascia questa dichiarazione per conto di Black & Decker.

A. Smith  
Technical Director

Black & Decker Europe, 210 Bath Road, Slough,  
Berkshire, SL1 3YD  
Regno Unito  
28/02/2019

## Garanzia

Black & Decker è sicura della qualità dei propri prodotti e offre ai consumatori una garanzia di 24 mesi dalla data di acquisto. Il presente certificato di garanzia è complementare ai diritti legali e non li pregiudica in alcun modo. La garanzia è valida sui territori degli Stati membri dell'Unione Europea o dell'EFTA (Associazione europea di libero scambio).

Per attivare la garanzia, il reclamo deve essere effettuato in accordo con i Termini e Condizioni Black & Decker e sarà necessario presentare la prova di acquisto al venditore o all'agente di riparazione autorizzato. I Termini e condizioni della garanzia Black & Decker di 2 anni e la sede del tecnico riparatore autorizzato più vicino sono consultabili su Internet all'indirizzo [www.2helpU.com](http://www.2helpU.com), o contattando l'ufficio Black & Decker di zona all'indirizzo postale indicato in questo manuale.

Visitare il nostro sito [www.blackanddecker.it](http://www.blackanddecker.it) per registrare il prodotto Black & Decker appena acquistato e ricevere gli aggiornamenti su nuovi prodotti e offerte speciali.



## Bedoeld gebruik

De BLACK+DECKER schuurmachine KA160, KA160K KA161, KA161K is ontworpen voor het schuren van hout, metaal, kunststof en gevelde oppervlakken. Dit gereedschap is uitsluitend bestemd voor consumentengebruik.

## Veiligheidsinstructies

### Algemene veiligheidswaarschuwingen voor elektrisch gereedschap



**Waarschuwing! Lees alle veiligheidswaarschuwingen en alle instructies.** Wanneer de volgende waarschuwingen en voorschriften niet in acht worden genomen, kan dit een elektrische schok, brand of ernstig letsel tot gevolg hebben.

**Bewaar alle waarschuwingen en instructies als referentiemateriaal.** De hierna gebruikte term 'elektrisch gereedschap' in alle waarschuwingen die hieronder worden vermeld, heeft betrekking op elektrisch gereedschap voor gebruik op netspanning (met netsnoer) of met een accu (snoerloos).

#### 1. Veilige werkomgeving

- a. **Houd uw werkomgeving schoon en goed verlicht.** Op rommelige of donkere plekken zullen sneller ongelukken gebeuren.
- b. **Werk niet met elektrisch gereedschap in een omgeving met explosiegevaar, zoals in de nabijheid van brandbare vloeistoffen, gassen of stof.** Elektrisch gereedschap veroorzaakt vonken die het stof of de dampen kunnen doen ontbranden.
- c. **Houd kinderen en omstanders op afstand, wanneer u met elektrisch gereedschap werkt.** Als u wordt afgeleid, kunt u de controle over het gereedschap verliezen.

#### 2. Elektrische veiligheid

- a. **De netstekker van het gereedschap moet in het stopcontact passen. Pas de stekker nooit op enige manier aan. Gebruik geen adapterstekkers in combinatie met geaard elektrisch gereedschap.** Niet-aangepaste stekkers en passende contactdozen verminderen het risico van een elektrische schok.
- b. **Vermijd aanraking van het lichaam met geaarde oppervlakken, bijvoorbeeld buizen, verwarmingen, fornuizen en koelkasten.** Er bestaat een verhoogd risico van een elektrische schok als uw lichaam contact heeft met aarde.
- c. **Stel het gereedschap niet bloot aan regen en vocht.** Als er water in een elektrisch gereedschap dringt, verhoogt dit het risico van een elektrische schok.
- d. **Behandel het snoer voorzichtig. Gebruik het snoer nooit om het elektrische gereedschap te dragen of**

**naar u toe te trekken, of de stekker uit het stopcontact te halen. Houd het snoer uit de buurt van warmtebronnen, olie, scherpe randen, of bewegende onderdelen.** Beschadigde snoeren of snoeren die in de war zijn geraakt, verhogen het risico van een elektrische schok.

- e. **Gebruik, wanneer u buitenshuis met elektrisch gereedschap werkt, alleen verlengsnoeren die zijn goedgekeurd voor gebruik buitenshuis.** Het gebruik van een verlengsnoer dat geschikt is voor binnen vermindert het risico van een elektrische schok.
  - f. **Als u met elektrisch gereedschap werkt op een vochtige locatie, gebruik dan een aardlekschakelaar (RCD).** Het gebruik van een aardlekschakelaar vermindert het risico van een elektrische schok.
- #### 3. Persoonlijke veiligheid
- a. **Blijf alert, let goed op wat u doet en ga met verstand te werk bij het gebruik van elektrische gereedschappen. Gebruik het gereedschap niet als u vermoeid bent of onder de invloed van drugs, alcohol of medicatie bent.** Een moment van onoplettendheid tijdens het werken met elektrisch gereedschap kan leiden tot ernstig persoonlijk letsel.
  - b. **Draag persoonlijke beschermende uitrusting. Draag altijd oogbescherming.** Beschermende uitrusting, zoals een stofmasker, antislip veiligheidsschoenen, een helm, of gehoorbescherming, gebruikt in de juiste omstandigheden, zal het risico op persoonlijk letsel verminderen.
  - c. **Voorkom per ongeluk inschakelen. Controleer dat de schakelaar in de uit-stand staat voordat u het gereedschap aansluit op het stopcontact en/of de accu plaatst en voordat u het gereedschap optilt of gaat dragen.** Het dragen van elektrisch gereedschap met uw vinger op de schakelaar of het aanzetten van elektrisch gereedschap waarvan de schakelaar aan staat, kan leiden tot ongelukken.
  - d. **Verwijder instelgereedschap of schroef sleutels voordat u het gereedschap inschakelt.** Een steeksleutel of een inbussleutel in een draaiend deel van het gereedschap kan tot verwondingen leiden.
  - e. **Reik niet buiten uw macht. Blijf altijd stevig en in balans op de grond staan.** Dit geeft u betere controle over het elektrisch gereedschap in onverwachte situaties.
  - f. **Draag geschikte kleding. Draag geen loszittende kleding of sieraden. Houd uw haar, kleding en handschoenen uit de buurt van bewegende onderdelen.** Loszittende kleding, sieraden of lang haar kunnen door bewegende delen worden gegrepen.
  - g. **Als voorzieningen voor stofafzuiging of stofopvang kunnen worden gemonteerd, controleer dan dat deze zijn aangesloten en op de juiste wijze worden**

gebruikt. Het gebruik van stofafzuiging kan aan stof gerelateerde gevaren verminderen.

- h. **Word niet gemakzuchtig doordat u door veelvuldig gebruik vertrouwd bent geraakt met het gereedschap, en verlies niet de veiligheidsbeginselen uit het oog.**

Een onvoorzichtige handeling kan in een fractie van een seconde ernstig letsel tot gevolg hebben.

4. **Gebruik en onderhoud van elektrisch gereedschap**

- a. **Overbelast het elektrisch gereedschap niet. Gebruik het juiste elektrisch gereedschap voor uw toepassing.**

Met het juiste elektrisch gereedschap kunt u de werkzaamheden waarvoor het gereedschap is ontworpen, beter en veiliger uitvoeren.

- b. **Gebruik het elektrisch gereedschap niet als de schakelaar niet goed werkt.** Ieder gereedschap dat niet met de schakelaar kan worden bediend, is gevaarlijk en moet worden gerepareerd.

- c. **Trek de stekker uit het stopcontact en/of de accu uit het elektrisch gereedschap voordat u het gereedschap instelt, toebehoren wisselt of het gereedschap opbergt.** Dergelijke preventieve veiligheidsmaatregelen verminderen het risico dat het elektrisch gereedschap per ongeluk wordt gestart.

- d. **Bewaar elektrisch gereedschap dat niet wordt gebruikt, buiten bereik van kinderen. Laat niet personen die er niet vertrouwd mee zijn en deze aanwijzingen niet hebben gelezen, met het gereedschap werken.** Elektrisch gereedschap is gevaarlijk in handen van ongetrainde gebruikers.

- e. **Onderhoud het gereedschap goed. Controleer dat bewegende delen van het gereedschap wel goed functioneren en niet klemmen, en dat er niet onderdelen zodanig zijn gebroken of beschadigd dat de werking van het gereedschap nadelig wordt beïnvloed. Laat het gereedschap voor gebruik repareren als het beschadigd is.** Veel ongelukken worden veroorzaakt door slecht onderhouden elektrisch gereedschap.

- f. **Houd zaaggereedschap scherp en schoon.** Goed onderhouden zaaggereedschap met scherpe snijvlakken loopt minder snel vast en is gemakkelijker onder controle te houden.

- g. **Gebruik elektrisch gereedschap, toebehoren, zaagjes en boortjes, enz., volgens deze aanwijzingen. Let daarbij op de arbeidsomstandigheden en de uit te voeren werkzaamheden.** Gebruik van het elektrisch gereedschap voor werkzaamheden die anders zijn dan bedoeld, kan leiden tot een gevaarlijke situatie.

- h. **Houd de handgrepen droog, schoon en vrij van olie en vet.** Gladde handgrepen en grip-oppervlakken maken het moeilijk het gereedschap veilig te hanteren en onder controle te houden in onverwachte situaties.

5. **service**

- a. **Laat het gereedschap alleen repareren door gekwalificeerd en vakkundig personeel en alleen met originele vervangingsonderdelen.** De veiligheid van het gereedschap blijft dan gewaarborgd.

### Aanvullende veiligheidswaarschuwingen voor elektrisch gereedschap



**Waarschuwing!** Aanvullende veiligheidswaarschuwingen voor schuurmachines



**Waarschuwing!** Contact met of inademing van het stof dat bij het schuren vrijkomt, kan de gezondheid van de gebruiker en omstanders schaden. Draag een stofmasker dat speciaal is ontworpen ter bescherming tegen stof en dampen, en zorg ervoor dat andere personen op de werkplek ook zijn beschermd.

- ◆ **Houd het gereedschap vast bij de geïsoleerde greepoppervlakken als u een handeling uitvoert waarbij het schurende hulpstuk met onzichtbare bedrading in aanraking kan komen.** Als een draad onder spanning wordt geraakt door het hulpstuk, komen onbedekte metalen onderdelen van het gereedschap onder spanning te staan en kunt u een elektrische schok krijgen.
- ◆ **Zet het werkstuk met klemmen of op een andere praktische manier vast en ondersteun het op een stabiele ondergrond.** Wanneer u het werkstuk vasthoudt met de hand of het tegen uw lichaam gedrukt houdt, is het instabiel en kunt u de controle verliezen.



**Waarschuwing!** Wees vooral voorzichtig bij het schuren van sommige houtsoorten (bijv. beuken, eiken) en metalen die giftige stofdeeltjes kunnen produceren. Draag een stofmasker dat speciaal is ontworpen voor bescherming tegen giftige stofdeeltjes en damp en let erop dat personen op de werkplek of personen die de werkplek betreden, ook beschermd zijn.



**Waarschuwing!** Gebruik dit gereedschap in een goed geventileerde ruimte als u ferrometalen schuurt. Gebruik het gereedschap niet in de buurt van ontvlambare vloeistoffen, gassen of stof. Vonken of hete deeltjes van het schuren of vonken van de motor kunnen tot gevolg hebben dat brandbare materialen tot ontbranding komen.



**Waarschuwing!** Schuur geen magnesium! Dit geeft een risico op brand of explosies.

- ◆ Verwijder zorgvuldig alle stof na het schuren.

- ◆ Het bedoeld gebruik wordt beschreven in deze gebruiksaanwijzing. Het gebruik van andere accessoires of hulpstukken of uitvoering van andere handelingen met dit gereedschap dan die in deze instructiehandleiding worden aanbevolen, kan leiden tot persoonlijk letsel en/of materiële schade.

## Veiligheid bij het schuren van verf



**Waarschuwing!** Houd u aan de geldende voorschriften voor het schuren van verf. Let vooral op het volgende:

- ◆ Gebruik wanneer mogelijk een stofzuiger voor het verzamelen van stof.
- ◆ Neem speciale maatregelen bij het schuren van verf die mogelijk een loodbasis heeft en mogelijk giftige stof produceert:
  - ◆ Kinderen en zwangere vrouwen mogen de werkvloer niet betreden.
  - ◆ Alle personen die de werkvloer betreden moeten een masker dragen dat speciaal is ontworpen ter bescherming tegen stoffen en dampen van verf met een loodbasis.
  - ◆ Eet, drink en rook niet op de werkvloer.
- ◆ Verwijder stof en ander afval op veilige en verantwoorde wijze.

## Veiligheid van anderen

- ◆ Dit gereedschap mag worden gebruikt door kinderen van 8 jaar en ouder en personen die lichamelijk of geestelijk minder valide zijn of die geen ervaring met of kennis van de machine hebben, als zij onder toezicht staan en instructies krijgen voor veilig gebruik van de machine en de mogelijke gevaren begrijpen.
- ◆ Kinderen mogen niet met het apparaat spelen. Laat kinderen nooit zonder toezicht het gereedschap schoonmaken of onderhouden.

## Overige risico's

Er kunnen zich bij het gebruik van dit gereedschap nog meer risico's voordoen, die mogelijk niet in de bijgesloten veiligheidswaarschuwingen worden beschreven. Deze risico's kunnen zich voordoen door onoordeelkundig gebruik, langdurig gebruik, enz.

Zelfs wanneer de veiligheidsvoorschriften in acht worden genomen en de veiligheidsvoorzieningen worden gebruikt, kunnen bepaalde risico's niet worden uitgesloten. Dit zijn onder meer:

- ◆ Verwondingen die worden veroorzaakt door het aanraken van draaiende of bewegende onderdelen.
- ◆ Verwondingen die worden veroorzaakt bij het vervangen van onderdelen, messen of accessoires.

- ◆ Verwondingen die worden veroorzaakt door langdurig gebruik van gereedschap. Wanneer u langere periodes met de machine werkt, kunt u het beste regelmatig een pauze nemen.
- ◆ Gehoorbeschadiging.
- ◆ Gezondheidsrisico's door het inademen van stof dat vrijkomt tijdens het gebruik van uw gereedschap (bijvoorbeeld: het werken met hout, met name eiken, beuken en MDF.)

## Trillingen

De aangegeven waarden voor trillingsemissie in de technische gegevens en de conformiteitverklaring, zijn gemeten conform een standaardtestmethode die door EN62841 wordt verstrekt. Hiermee kan het ene gereedschap met het andere worden vergeleken. De aangegeven waarde voor trillingsemissie kan ook worden gebruikt bij een voorlopige bepaling van blootstelling.

**Waarschuwing!** De waarde voor trillingsemissie tijdens het werkelijke gebruik van het gereedschap kan verschillen van de aangegeven waarde afhankelijk van de manieren waarop het gereedschap wordt gebruikt. Het trillingsniveau kan toenemen tot boven het aangegeven niveau.

Bij beoordeling van de blootstelling aan trillingen met het doel vast te stellen welke veiligheidsmaatregelen 2002/44/EG vereist ter bescherming van personen die tijdens hun werk regelmatig elektrisch gereedschap gebruiken, moet bij een inschatting van de blootstelling aan trillingen rekening worden gehouden met de werkelijke gebruiksomstandigheden en de manier waarop het gereedschap wordt gebruikt. Daarbij moet ook rekening worden gehouden met alle onderdelen van de bedrijfscyclus, zoals wanneer het gereedschap wordt uitgeschakeld en wanneer het gereedschap stationair loopt en ook de aanlooptijd.

## Etiketten op het gereedschap

Naast de datumcode is het gereedschap voorzien van de volgende symbolen:



**Waarschuwing!** De gebruiker moet de instructiehandleiding lezen om het risico op letsel te verminderen.

## Elektrische veiligheid



De lader is dubbel geïsoleerd, en daarom is een aarddraad niet nodig. Controleer altijd dat de netspanning overeenkomt met de waarde op het typeplaatje. Probeer nooit de lader te voorzien van een normale netstekker.

- ◆ Als het netsnoer is beschadigd, moet het worden vervangen door de fabrikant of een BLACK+DECKER-servicecentrum zodat gevaarlijke situaties worden voorkomen.

## Onderdelen

Al naar gelang de uitvoering beschikt deze machine over de volgende onderdelen.

1. Aan/uit-schakelaar
2. Stofafzuigaansluiting
3. Voetstuk
4. Punthouder
5. Schuurzoolpunt
6. Vingerhulpstuk
7. Profielhulpstuk
8. Schroef
9. Schuurprofielen

Daarbij wordt deze machine geleverd met enkele of alle van de volgende accessoires:

Accessoire	Aanbevolen toepassing en gebruik
Grove korrel schuurpapier	Snel verwijderen van verf, vernis en roest
Medium korrel schuurpapier	Verwijderen van verf, vernis en roest
Fijne korrel schuurpapier	Afwerken van oppervlakken
Extra fijne korrel schuurpapier	Schuren tussen verflagen
Schuurpunten voor details	Hoeken en moeilijk bereikbare plekken
1 OT polijst/slijpwol	Polijsen van metalen, strippen van vernis en schoonmaken van glas
Grijs schuimkussen	Aanbrengen en verwijderen van polijstmiddel
Rood niet-geweven kussen	Zwaar borstelen en verwijderen van roest
Grijs schuurpapier	Polijsen van kunststoffen
Contour hulpstukken	Bochten en profielen

## Montage

**Waarschuwing!** Zorg vóór aanvang van de montage dat de machine is uitgeschakeld en de netstekker van het lichtnet is losgekoppeld.

### Aanbrengen van schuurvellen (fig. A & B)

- ◆ Maak de twee ruitvormige punten (10) los van het schuurvel (11).
- ◆ Houd de machine vast met de schuurzool omhoog.
- ◆ Plaats het schuurvel (11) op de schuurzool en zorg dat de gaten in het vel samenvallen met de gaten in de zool.

De ruitvormige punt (10) kan worden omgedraaid en vervangen wanneer hij versleten is.

- ◆ Als het voorste gedeelte van de punt versleten is, haal hem dan los van het vel, draai hem om, en druk hem weer terug op de schuurzool.
- ◆ Als de gehele punt versleten is, verwijder hem dan van de schuurzool en plaats een nieuwe punt.
- ◆ De schuimkussens voor polijsten (14) kunnen op dezelfde wijze worden aangebracht als de schuurvellen.

### Punt van de schuurzool (fig. C)

Wanneer de punt van de schuurzool (5) of de punthouder (4) is versleten, kan deze worden omgedraaid of vervangen. Reserveonderdelen zijn verkrijgbaar bij uw BLACK+DECKER leverancier.

- ◆ Verwijder de schroef (8).
- ◆ Draai het versleten deel om of vervang het.
- ◆ Bevestig de schroef en draai deze vast.

### Vingerhulpstuk (fig. D)

Het vingerhulpstuk wordt gebruikt voor het schuren van fijne details.

- ◆ Verwijder de schroef (8).
- ◆ Verwijder de ruitvormige punthouder (4) van de schuurzool.
- ◆ Plaats het vingerhulpstuk (6) op de schuurzool.
- ◆ Bevestig de schroef en draai deze vast.
- ◆ Plaats het geschikte schuurvel (12) op de schuurzool.

### Profielhulpstuk (alleen voor KA160K/KA161K) (fig. E)

Het profielhulpstuk wordt gebruikt voor het schuren van contouren.

- ◆ Verwijder de schroef (8).
- ◆ Verwijder de ruitvormige punthouder (4) van de schuurzool.
- ◆ Plaats het profielhulpstuk (7) op de schuurzool.
- ◆ Bevestig de schroef en draai deze vast.

### Aanbrengen en verwijderen van een schuurprofiel (fig. F1 & F2)

- ◆ Kies het meest geschikte schuurprofiel voor uw toepassing.
- ◆ Plaats de ene kant van het schuurprofiel (9) in de uitsparing aan de voorkant van de profielhouder (7).
- ◆ Druk op de andere kant van het schuurprofiel totdat hij op zijn plaats klikt.
- ◆ Duw het schuurprofiel naar voren en trek het achterste gedeelte uit de profielhouder, om het schuurprofiel te verwijderen (fig. F2).

## Aanbrengen van een schuurvel op een schuurprofiel (fig. G)

- ◆ Breng het schuurvel (13) in lijn met het schuurprofiel (9).
- ◆ Druk het schuurvel op het schuurprofiel terwijl u ervoor zorgt dat het schuurvel precies op de vorm van het profiel past.

## Gebruik

**Waarschuwing!** Bedek de ventilatiesleuven niet wanneer u de machine gebruikt. Houd de machine vast zoals afgebeeld in fig. H. Zorg ervoor dat de schuurzool vlak op het werkstuk ligt.

## Aansluiten van een stofzuiger (fig. I)

De machine heeft een adapter om een stofzuiger aan te sluiten voor het schuren van hout. Om een stofzuiger op de machine aan te sluiten, gaat u als volgt te werk:

**Waarschuwing!** Zorg dat de machine is uitgeschakeld en dat de stekker uit het stopcontact is gehaald.

- ◆ Plaats de stofzuigaansluiting (2) op de adapter aan de achterkant van de machine.
- ◆ Sluit de slang van een geschikte stofzuiger aan op de adapter.

## Gebruik

**Waarschuwing!** Laat de machine op haar eigen tempo werken. Niet overbelasten.

## Aan- en uitschakelen (fig. J)

**Waarschuwing!** Zorg vóór het aansluiten van de machine op het lichtnet dat de machine is uitgeschakeld.

- ◆ Om de machine in te schakelen, drukt u op de 'I' van de aan/uit-schakelaar (1).
- ◆ Om de machine uit te schakelen, drukt u op de '0' van de aan/uit-schakelaar (1).

## Accessoires

De prestaties van uw machine hangen af van welke accessoire u gebruikt. BLACK+DECKER en Piranha accessoires zijn ontwikkeld om te voldoen aan hoge kwaliteitseisen en ontworpen om de prestaties van uw machine te verbeteren. Met behulp van deze accessoires haalt u het beste uit uw machine.

## Onderhoud

Dit gereedschap is ontworpen om gedurende langere periode te functioneren met een minimum aan onderhoud.

Voortdurend tevreden gebruik is afhankelijk van correct onderhoud en regelmatig schoonmaken.

**Waarschuwing!** Zorg vóór aanvang van onderhoudswerkzaamheden dat de machine is uitgeschakeld en de netstekker van het lichtnet is losgekoppeld.

- ◆ Reinig regelmatig de ventilatieopeningen van uw machine met een zachte borstel of een droge doek.
- ◆ Reinig regelmatig de behuizing van de motor met een vochtige doek. Gebruik geen schuur- of oplosmiddel.

## Onderhoud

Uw BLACK+DECKER-gereedschap is ontworpen om gedurende langere periode te functioneren met een minimum aan onderhoud. U kunt het gereedschap naar volle tevredenheid blijven gebruiken als u voor correct onderhoud zorgt en het gereedschap regelmatig schoonmaakt.

**Waarschuwing!** Schakel de machine uit en haal de stekker uit het stopcontact voordat er onderhoud wordt uitgevoerd.

- ◆ Reinig regelmatig de ventilatieopeningen van de machine met een zachte, droge borstel of een droge doek.
- ◆ Reinig regelmatig de behuizing van de motor met een schone, vochtige doek. Gebruik geen schuur- of oplosmiddel.

## Het milieu beschermen



Gescheiden afvalinzameling. Producten en accu's waarop dit symbool is aangebracht, mogen niet bij het normale huishoudafval worden weggegooid.

Producten en accu's bevatten materialen die kunnen worden teruggewonnen of gerecycled en dat doet de vraag naar grondstoffen afnemen.

Recycle elektrische producten en accu's volgens de ter plaatse geldende bepalingen. Nadere informatie is beschikbaar op [www.2helpU.com](http://www.2helpU.com)

## Technische gegevens

		KA160, KA160K KA161, KA161K Type 1
Spanning	$V_{ac}$	230
Opgenomen vermogen	W	55
Onbelast toerental	$min^{-1}$	11,000
Gewicht	kg	0.8

Niveau van de geluidsdruk, gemeten volgens EN 62841:	
$L_{pA}$ (Geluidsdruk) 66 dB(A), onzekerheid (K) 3 dB(A)	
$L_{WA}$ (Geluidsvermogen) 79 dB(A), onzekerheid certainty (K) 3 dB(A)	
Totale trillingswaarden (triaxiale vectorsom) volgens EN 62841:	
Trillingsafgifte ( $a_w$ ) 5.6 $m/s^2$ , onzekerheid (K) 1.5 $m/s^2$	

**EG conformiteitsverklaring**  
RICHTLIJN VOOR MACHINES



Schuurmachine: KA160, KA160K KA161, KA161K

Black & Decker verklaart dat deze producten, die zijn beschreven onder 'Technische gegevens', voldoen aan: EN62841-1:2015, EN62841-2-4:2014.

Deze producten voldoen tevens aan richtlijn 2006/42/EG, 2014/30/EU en 2011/65/EU.

Neem voor meer informatie contact op met Black & Decker op het volgende adres of raadpleeg de achterzijde van de handleiding.

Ondergetekende is verantwoordelijk voor de samenstelling van het technische bestand en legt deze verklaring af namens Black & Decker.

A. Smith  
Technical Director  
Black & Decker Europe, 210 Bath Road, Slough,  
Berkshire, SL1 3YD  
Verenigd Koninkrijk  
28/02/2019

**Garantie**

Black & Decker heeft vertrouwen in zijn producten en biedt consumenten een garantie van 24 maanden vanaf de datum van aankoop. Deze garantie vormt een aanvulling op uw wettelijke rechten en beperken deze niet. De garantie is geldig op het grondgebied van de Lidstaten van de Europese Unie en de Europese Vrijhandelszone.

Voor een garantie-aanspraak moet uw aanspraak in overeenstemming zijn met de Voorwaarden en Condities van Black & Decker en moet u een bewijs van aankoop overleggen aan de verkoper of aan een geautoriseerde reparatiemonteur. Voorwaarden en condities van de 2-jarige garantie van Black & Decker en het adres van de vestiging van het geautoriseerde reparatiecentrum bij u in de buurt, kunt u vinden op internet op [www.2helpU.com](http://www.2helpU.com), of door contact op te nemen met het Black & Decker-kantoor ter plaatse, op het adres dat in deze handleiding wordt vermeld.

Bezoek onze website [www.blackanddecker.nl](http://www.blackanddecker.nl), waar u uw nieuwe Black & Decker-product kunt registreren en informatie kunt verkrijgen over nieuwe producten en speciale aanbiedingen.

**Uso previsto**

Su lijadora BLACK+DECKER KA160, KA160K KA161, KA161K ha sido diseñada para lijar madera, metales, plástico y superficies pintadas. Esta herramienta ha sido concebida únicamente para uso doméstico.

**Instrucciones de seguridad**

**Advertencias de seguridad generales para herramientas eléctricas**



**Advertencia. Lea todas las advertencias de seguridad y todas las instrucciones.** En caso de no atenderse a las siguientes advertencias e instrucciones de seguridad, podría producirse una descarga eléctrica, incendio o lesión grave.

**Guarde todas las advertencias e instrucciones para futuras consultas.** El término "herramienta eléctrica" empleado en las advertencias a continuación hace referencia a la herramienta eléctrica con alimentación de red (con cable) o alimentada por batería (sin cable).

**1. Seguridad del área de trabajo**

- a. **Mantenga limpia y bien iluminada el área de trabajo.** Las áreas en desorden u oscuras pueden provocar accidentes.
- b. **No utilice herramientas eléctricas en entornos con peligro de explosión, como aquellos en los que haya líquidos, gases o material en polvo inflamables.** Las herramientas eléctricas originan chispas que pueden inflamar el polvo o los gases.
- c. **Mantenga alejados a los niños y a otras personas del área de trabajo al emplear la herramienta eléctrica.** Las distracciones pueden ocasionar que pierda el control.

**2. Seguridad eléctrica**

- a. **El enchufe de la herramienta eléctrica debe corresponder a la toma de corriente utilizada. No modifique nunca el enchufe de ninguna forma. No utilice ningún enchufe adaptador con las herramientas eléctricas conectadas a tierra.** Los enchufes no modificados y las tomas de corriente correspondientes reducirán el riesgo de descarga eléctrica.
- b. **Evite que su cuerpo toque partes conectadas a tierra como tuberías, radiadores, cocinas y refrigeradores.** Existe un mayor riesgo de descarga eléctrica si su propio cuerpo está conectado a tierra.
- c. **No exponga las herramientas eléctricas a la lluvia y evite que penetren líquidos en su interior.** Si entra agua a una herramienta eléctrica aumentará el riesgo de descarga eléctrica.

- d. **Cuide el cable de alimentación. No use nunca el cable para transportar, tirar de la herramienta eléctrica o desenchufarla. Mantenga el cable alejado del calor, aceite, bordes afilados y piezas en movimiento.** Los cables dañados o enredados aumentan el riesgo de descarga eléctrica.
- e. **Al trabajar con la herramienta eléctrica en la intemperie utilice solamente cables de prolongación homologados para su uso en exteriores.** La utilización de un cable adecuado para el uso en exteriores reduce el riesgo de descarga eléctrica.
- f. **Si la utilización de una herramienta eléctrica en un lugar húmedo es inevitable, utilice una fuente protegida con un dispositivo diferencial residual (DDR).** El uso de un dispositivo diferencial residual reduce el riesgo de descarga eléctrica.
3. **Seguridad personal**
- a. **Esté atento a lo que hace y emplee la herramienta eléctrica con prudencia. No maneje una herramienta eléctrica cuando esté cansado o bajo los efectos de drogas, medicamentos o alcohol.** Un momento de falta de atención cuando se manejan las herramientas eléctricas puede ocasionar lesiones personales graves.
- b. **Utilice un equipo de protección personal. Utilice siempre protección ocular.** El uso del equipo protector como mascarillas antipolvo, calzado antideslizante, casco o protección auditiva para condiciones apropiadas reducirá las lesiones personales.
- c. **Evite que la herramienta se ponga en marcha accidentalmente. Asegúrese de que el interruptor se encuentre en la posición de apagado antes de conectar la herramienta a la fuente de alimentación o a la batería, o de coger o transportar la herramienta.** Transportar herramientas eléctricas con el dedo puesto en el interruptor o herramientas eléctricas activadoras que tengan el interruptor encendido puede provocar accidentes.
- d. **Retire las herramientas de ajuste o llaves fijas antes de conectar la herramienta eléctrica.** Dejar una llave inglesa u otra llave puesta en una pieza en movimiento de la herramienta eléctrica puede ocasionar lesiones personales.
- e. **Sea precavido. Mantenga un equilibrio adecuado y la estabilidad constantemente.** Esto permite un mejor control de la herramienta eléctrica en situaciones inesperadas.
- f. **Lleve puesta una vestimenta de trabajo adecuada. No se ponga ropa suelta o joyas. Mantenga el cabello, la ropa y los guantes alejados de las piezas en movimiento.** La ropa suelta, las joyas y el pelo largo pueden quedar atrapados en las piezas en movimiento.
- g. **Siempre que sea posible utilizar unos equipos de aspiración o captación de polvo, asegúrese de que estén montados y se utilicen correctamente.** El uso de equipo de recogida de polvo puede reducir los riesgos relacionados con el polvo.
- h. **Evite que la familiaridad adquirida con el uso frecuente de las herramientas le haga confiarse demasiado e ignorar las normas de seguridad de las herramientas.** Un descuido puede causar lesiones graves en una fracción de segundo.
4. **Uso y cuidado de herramientas eléctricas**
- a. **No sobrecargue la herramienta eléctrica. Use la herramienta eléctrica correcta para su trabajo.** La herramienta eléctrica correcta funcionará mejor y con mayor seguridad si se utiliza de acuerdo con sus características técnicas.
- b. **No utilice herramientas eléctricas con un interruptor defectuoso.** Toda herramienta eléctrica que no pueda controlarse con el interruptor es peligrosa y debe ser reparada.
- c. **Desconecte el enchufe de la herramienta eléctrica de la fuente de alimentación y la batería antes de realizar cualquier ajuste, cambiar accesorios o guardar la herramienta.** Dichas medidas de seguridad preventivas reducen el riesgo de poner en marcha accidentalmente la herramienta eléctrica.
- d. **Guarde las herramientas eléctricas fuera del alcance de los niños y de las personas que no estén familiarizadas con su uso.** Las herramientas eléctricas son peligrosas en manos de personas no capacitadas.
- e. **Realice el mantenimiento de sus herramientas eléctricas. Controle si funcionan correctamente, sin atascarse, las partes móviles de la herramienta eléctrica, y si existen partes rotas o deterioradas que pudieran afectar al funcionamiento de la herramienta.** Si la herramienta eléctrica está dañada, llévela para que sea reparada antes de utilizarla. Se ocasionan muchos accidentes por el mal mantenimiento de las herramientas eléctricas.
- f. **Mantenga las herramientas de corte limpias y afiladas.** Hay menos probabilidad de que las herramientas de cortar con bordes afilados se bloqueen, y son más fáciles de controlar.
- g. **Utilice la herramienta eléctrica, los accesorios, los útiles de la herramienta, etc. de acuerdo con estas instrucciones, y tenga en cuenta las condiciones de trabajo y la tarea que se va a realizar.** El uso de la herramienta eléctrica para operaciones que no sean las previstas puede ocasionar una situación peligrosa.
- h. **Mantenga las empuñaduras y superficies de agarre secas, limpias y libres de aceite y grasa.** Las empuñaduras resbaladizas y las superficies engrasadas

impiden aferrar y controlar la herramienta en situaciones imprevistas.

## 5. Reparaciones

- a. **Esta herramienta eléctrica puede ser reparada solo por personal técnico autorizado que emplee exclusivamente piezas de repuesto originales.** Así se asegurará que se mantenga la seguridad de la herramienta eléctrica.

## Advertencias de seguridad adicionales para herramientas eléctricas



**Advertencia.** Advertencias de seguridad adicionales para lijadoras.



**Advertencia.** El contacto o la inhalación del polvo procedente de las aplicaciones de la lijadora puede suponer un peligro para la salud del usuario y de cualquier otra persona que se encuentre a su alrededor. Utilice una mascarilla antipolvo diseñada específicamente para proteger contra el polvo y los vapores y asegúrese de que las demás personas que se encuentren dentro del área de trabajo o que vayan a entrar en ella también estén protegidas.

- ◆ **Sujete la herramienta eléctrica por la superficie de agarre aislada cuando realice una operación en la que el accesorio de lijado pueda entrar en contacto con cables ocultos.** El accesorio que está en contacto con un cable conectado a la red eléctrica podría hacer que las partes metálicas de la herramienta transmitieran esa electricidad y producir una descarga al usuario.
- ◆ **Utilice fijaciones u otro tipo de método para fijar y apoyar la pieza de trabajo en una plataforma estable.** Si sostiene la pieza de trabajo con las manos o con su cuerpo, esta estará inestable y podrá hacer que usted pierda el control.



**Advertencia.** Tenga especial cuidado cuando lije algunas maderas (como las de haya o roble) y los metales que puedan emitir polvo tóxico. Lleve una máscara de protección especialmente diseñada para protegerle ante los polvos y humos tóxicos y compruebe que las personas que se ubiquen o accedan a la zona de trabajo también lleven protección.



**Advertencia.** Utilice esta herramienta en una zona bien ventilada a la hora de lijar metales ferrosos. No trabaje con la herramienta cerca de líquidos, gases o polvos inflamables. Las chispas, las partículas calientes del lijado o el chisporroteo de las escobillas del motor pueden inflamar los materiales combustibles.



**Advertencia. ¡No lije las piezas de magnesio!** Existe riesgo de incendio o de explosión.

- ◆ Elimine a fondo todo el polvo después de lijar.
- ◆ En este manual se describe el uso previsto. La utilización de accesorios o dispositivos auxiliares o la realización de operaciones distintas a las recomendadas en este manual de instrucciones para esta herramienta puede presentar riesgo de lesiones personales y/o de daños materiales.

## Seguridad a la hora de lijar pinturas



**Advertencia.** Tenga en cuenta las normativas aplicables para el lijado de pinturas. Preste especial atención a las siguientes recomendaciones:

- ◆ Siempre que sea posible, utilice un extractor de vacío para la recogida del polvo.
- ◆ Tenga especial cuidado cuando lije pinturas con un posible contenido de plomo y que puedan producir polvo tóxico.
  - ◆ No permita la entrada de niños ni de mujeres embarazadas al área de trabajo.
  - ◆ Todas las personas que accedan al área de trabajo deben llevar una mascarilla diseñada específicamente como protección contra el polvo y las emanaciones de las pinturas con contenido de plomo.
  - ◆ No ingiera alimentos ni bebidas, ni fume en el área de trabajo.
- ◆ Deshágase de las partículas de polvo y de otros escombros de un modo seguro.

## Seguridad de otras personas

- ◆ Ninguna persona (incluidos los niños a partir de 8 años de edad) con capacidades físicas, sensoriales o mentales disminuidas, o que carezca de experiencia y conocimientos, debe utilizar este cargador, salvo que haya recibido supervisión o formación con respecto al uso del aparato de una forma segura y que comprenda los peligros que entraña.
- ◆ Los niños no deben jugar con el aparato. Los niños no deberán realizar las tareas de limpieza y mantenimiento de usuario, salvo que lo hagan bajo supervisión.

## Riesgos residuales

El uso de esta herramienta puede producir riesgos residuales adicionales no incluidos en las advertencias de seguridad adjuntas. Estos riesgos se pueden generar por un uso incorrecto, demasiado prolongado, etc. El cumplimiento de las normas de seguridad correspondientes y el uso de dispositivos de seguridad no evitan ciertos riesgos residuales. Dichos riesgos incluyen:



- ◆ Lesiones producidas por el contacto con piezas móviles o giratorias.
- ◆ Lesiones producidas al cambiar cualquier pieza, hoja o accesorio.
- ◆ Lesiones producidas por uso prolongado de una herramienta. Si utiliza una herramienta durante periodos de tiempo demasiado prolongados, asegúrese de realizar pausas con frecuencia.
- ◆ Deterioro auditivo.
- ◆ Riesgos para la salud causados por la respiración del polvo generado por el uso de la herramienta (por ejemplo, al trabajar con madera, especialmente roble, haya o tablero semiduro de fibras).

- ◆ Si se daña el cable de alimentación, el fabricante o un centro de servicio técnico autorizado de BLACK+DECKER deberán sustituirlo para evitar riesgos.

## Características

Esta herramienta incluye alguna o todas las características siguientes.

1. Interruptor de encendido/apagado
2. Conector para la extracción del polvo
3. Base
4. Portapunta
5. Punta de la base de lijado
6. Acoplamiento de dedo
7. Accesorio para perfiles
8. Tornillo
9. Perfiles de lijado

Además, esta herramienta se suministra con alguno o todos los accesorios siguientes:

Accesorio	Aplicación y uso para el que se recomienda
Lija de grano grueso	Rápida eliminación de pintura, barniz y óxido
Lija de grano medio	Eliminación de pintura, barniz y óxido
Lija de grano fino	Mezcla y acabados de superficies
Lija de grano extrafino	Lijado entre capas
Lijado al detalle de puntas	Esquinas y zonas de difícil acceso
1 paño de lana para pulir/rascar OT	Pulido de metales, remoción de barniz y limpieza de cristales
Esponja gris	Aplicar y eliminar el abrillantador
Almohadilla roja no compuesta de tela	Fregado a fondo y eliminación del óxido
Papel abrasivo gris	Pulido de plásticos
Acoplamientos para contornos	Curvas y perfiles

## Vibración

Los valores de emisión de vibraciones declarados en el apartado de características técnicas y en la declaración de conformidad se han calculado según un método de prueba estándar proporcionado por la norma EN62841 y pueden utilizarse para comparar una herramienta con otra. El valor de emisión de vibraciones especificado también puede utilizarse en una evaluación preliminar de la exposición.

**Advertencia.** El valor de emisión de vibraciones durante el funcionamiento real de la herramienta eléctrica puede diferir del valor declarado en función de cómo se utilice dicha herramienta. El nivel de las vibraciones puede aumentar por encima del nivel declarado.

Al evaluar la exposición a las vibraciones con el fin de determinar las medidas de seguridad que exige la directiva 2002/44/CE para proteger a las personas que utilizan periódicamente herramientas eléctricas en el entorno laboral, deberá tenerse en cuenta una estimación de la exposición a las vibraciones, las condiciones de uso reales y el modo de empleo de la herramienta, así como los pasos del ciclo operativo como, por ejemplo, el número de veces que la herramienta se apaga, el tiempo que está parada y el tiempo de activación.

## Etiquetas en la herramienta

Junto con el código de la fecha, en la herramienta aparecen los siguientes símbolos :



**¡Atención!** Para reducir el riesgo de lesiones, el usuario debe leer el manual de instrucciones.

## Seguridad eléctrica



El cargador presenta un aislamiento doble; por lo tanto, no se requiere conexión a tierra. Compruebe siempre que el voltaje de la red eléctrica corresponda al valor indicado en la placa de características. No intente sustituir el cargador por un enchufe convencional para la red eléctrica.

## Montaje

**¡Atención!** Antes de proceder al montaje, compruebe que la herramienta está apagada y desenchufada.

## Colocación de las hojas para lijar (fig. A & B)

- ◆ Separe las dos puntas en forma de diamante (10) de la hoja de lija (11).

- ◆ Sujete la herramienta con la base de lijado orientada hacia arriba.
- ◆ Coloque la hoja de lija (11) sobre la base de lijado, y asegúrese de que los orificios de la hoja de lija coincidan con los de la base de lijado.

Se pueden invertir y sustituir las puntas en forma de diamante (10) cuando estén desgastadas.

- ◆ Cuando la parte frontal de la punta esté desgastada, sáquela de la hoja, inviértala y presiónela sobre la base de lijado de nuevo.
- ◆ Cuando esté desgastada toda la punta, retírela de la base de lijado y coloque una.
- ◆ Las esponjas y almohadillas de pulir (14) se pueden colocar de la misma forma que las hojas de papel de lija.

### **Punta de la base lijadora (fig. C)**

Cuando esté desgastada la punta de la base lijadora (5) o el portapuntas (4), se podrán invertir o cambiar. Su distribuidor BLACK+DECKER dispone de piezas de repuesto.

- ◆ Retire el tornillo (8).
- ◆ Invierta o cambie la pieza gastada.
- ◆ Coloque y apriete el tornillo.

### **Acoplamiento del dedo (fig. D)**

El accesorio en forma de dedo se usa para un lijado fino de detalles.

- ◆ Retire el tornillo (8).
- ◆ Retire el portapunta en forma de diamante (4) de la base de lijado.
- ◆ Coloque el accesorio de dedo (6) en la base de lijado.
- ◆ Coloque y apriete el tornillo.
- ◆ Coloque la hoja de lija adecuada (12) sobre el accesorio de dedo.

### **Acoplamiento de perfil (KA160K/KA161K solamente) (fig. E)**

El accesorio para perfiles se utiliza para lijar contornos.

- ◆ Retire el tornillo (8).
- ◆ Retire el portapunta en forma de diamante (4) de la base de lijado.
- ◆ Coloque el accesorio para perfiles (7) en la base de lijado.
- ◆ Coloque y apriete el tornillo.

### **Colocación y retirada del perfil de lijado (fig. F1 & F2)**

- ◆ Elija el perfil de lijado que sea más adecuado para el trabajo va a realizar.
- ◆ Coloque un extremo del perfil de lijado (9) dentro del rebaje del extremo delantero del portador de perfiles (7).
- ◆ Empuje el otro extremo del perfil de lijado hasta que encaje en su posición haciendo clic.
- ◆ To remove the sanding profile, push it forward and pull the rear end out of the profile holder (fig. F2).

### **Colocación de una hoja de papel de lijar en el perfil de lijado (fig. G)**

- ◆ Alinee la hoja de lija (13) con el perfil de lijado (9).
- ◆ Presione la hoja de lija sobre el perfil de lijado, asegurándose de que la hoja de lija sigue la forma del perfil.

### **Uso**

**¡Atención!** Cuando utilice la herramienta no tape las ranuras de ventilación. Sujete la herramienta tal como se indica en la fig. H. Asegúrese de que la base lijadora está plana sobre la pieza de trabajo.

### **Acoplamiento de un aspirador (fig. I)**

La herramienta dispone de un adaptador para conectarlo a un aspirador cuando se lije madera. Para acoplar la herramienta a un aspirador, proceda de la forma siguiente:

**¡Atención!** Asegúrese de que la herramienta esté apagada y desenchufada de la red.

- ◆ Coloque el conector de extracción del polvo (2) en el adaptador en la parte posterior de la herramienta.
- ◆ Conecte la manguera de un aspirador adecuado al conector.

### **Uso**

**¡Atención!** Deje que la herramienta funcione a su ritmo. No lo sobrecargue.

### **Encendido y apagado (fig. J)**

**¡Atención!** Antes de enchufar la herramienta a la corriente, asegúrese de que esté apagada.

- ◆ Para encender la lijadora, oprima la parte del interruptor on/off (1) marcada '1'.
- ◆ Para apagar la lijadora, oprima la parte del interruptor on/off (1) marcada '0'.

### **Accesorios**

El rendimiento de la herramienta dependerá del accesorio utilizado. Los accesorios de BLACK+DECKER y Piranha están fabricados según las más altas normas de calidad para ampliar el rendimiento de la herramienta. Utilizando estos accesorios, logrará aprovechar al máximo la herramienta.

### **Mantenimiento**

La herramienta ha sido diseñada para que funcione durante un largo periodo de tiempo con un mantenimiento mínimo. El funcionamiento satisfactorio continuado depende de un cuidado apropiado y una limpieza periódica de la herramienta.

**¡Advertencia!** Antes de realizar cualquier tipo de mantenimiento, apague y desenchufe la herramienta.

- ◆ Limpie periódicamente las ranuras de ventilación de la herramienta con un cepillo suave o un paño seco.
- ◆ Limpie periódicamente la carcasa del motor con un paño húmedo. No utilice ninguna sustancia limpiadora abrasiva o que contenga disolventes.

El abajo firmante es el responsable de la compilación del archivo técnico y realiza esta declaración en representación de Black & Decker.



A. Smith

Director de ingeniería

Black & Decker Europa, 210 Bath Road, Slough,

Berkshire, SL1 3YD

Reino Unido

28/02/2019

## Protección del medioambiente



Recogida selectiva. Los productos y las baterías marcadas con este símbolo no se deben eliminar con los residuos domésticos normales.

Los productos y las baterías que contienen materiales que se puedan recuperar o reciclar reducen la demanda de materias primas.

Recicle los productos eléctricos y las baterías de conformidad con la normativa local. Puede obtener más información en [www.2helpU.com](http://www.2helpU.com)

## Datos técnicos

		KA160, KA160K KA161, KA161K Type 1
Voltage	$V_{ac}$	230
Power input	W	55
No-load speed	$\text{min}^{-1}$	11,000
Weight	kg	0.8

### Level of sound pressure according to EN 62841:

$L_{pA}$  (sound pressure) 66 dB(A), Uncertainty (K) 3 dB(A)

$L_{WA}$  (sound power) 79 dB(A), Uncertainty (K) 3 dB(A)

### Vibration total values (triax vector sum) according to EN 62841:

Vibration emission value ( $a_w$ ) 5.6  $\text{m/s}^2$ , uncertainty (K) 1.5  $\text{m/s}^2$

## Garantía

Black & Decker confía en la calidad de sus productos y ofrece a los consumidores una garantía de 24 meses a partir de la fecha de compra. Esta garantía es adicional a sus derechos legales y no los menoscaba en modo alguno. La garantía es válida dentro de los territorios de los Estados Miembros de la Unión Europea y del Área de Libre Comercio Europea.

Para reclamar la garantía, la reclamación se debe presentar de conformidad con las condiciones de Black & Decker. Tendrá que adjuntar un justificante de compra al vendedor o al agente técnico autorizado. Las condiciones de la garantía de 2 años de Black & Decker y la ubicación de su agente técnico autorizado más cercano se pueden obtener en Internet en [www.2helpU.com](http://www.2helpU.com) o poniéndose en contacto con su oficina local de Black & Decker en la dirección que se indica en este manual.

Visite nuestro sitio web [www.blackanddecker.co.uk](http://www.blackanddecker.co.uk) para registrar su nuevo producto Black & Decker y recibir noticias sobre nuevos productos y ofertas especiales.

## Declaración de conformidad CE

DIRECTIVA DE MÁQUINAS



Lijadora - KA160, KA160K KA161, KA161K

Black & Decker declara que los productos descritos en "datos técnicos" cumplen las siguientes normas:  
EN62841-1:2015, EN62841-2-4:2014.

Estos productos también cumplen las Directivas  
2006/42/CE, 2014/30/UE y 2011/65/UE.

Para más información, póngase en contacto con Black & Decker en la siguiente dirección o consulte la parte posterior del manual.

## Utilização pretendida

A lixadora BLACK+DECKER KA160, KA160K KA161, KA161K foi concebida para lixar madeira, metal, plástico e superfícies pintadas. Esta ferramenta destina-se apenas para utilização doméstica.

## Instruções de segurança

### Avisos de segurança gerais para ferramentas eléctricas



**Atenção! Leia todos os avisos de segurança e todas as instruções.** O não cumprimento dos seguintes avisos e instruções pode resultar em choque eléctrico, incêndio e/ou graves lesões.

**Guarde todos os avisos e instruções para futura referência.** A expressão “ferramenta eléctrica” utilizada a seguir refere-se a ferramentas eléctricas com ligação à corrente eléctrica (com cabo) ou com bateria (sem fios).

#### 1. Segurança na área de trabalho

- a. **Mantenha a área de trabalho limpa e bem iluminada.** As áreas desorganizadas ou escuras são propensas a acidentes.
- b. **Não trabalhe com ferramentas eléctricas em áreas com risco de explosão, nas quais se encontrem líquidos, gases ou poeiras inflamáveis.** As ferramentas eléctricas criam faíscas que poderão inflamar estas poeiras ou vapores.
- c. **Mantenha crianças e outras pessoas afastadas durante a utilização da ferramenta eléctrica.** As distrações podem levar à perda do controlo da ferramenta.

#### 2. Segurança eléctrica

- a. **As fichas da ferramenta eléctrica devem caber na tomada. Nunca modifique a ficha de forma alguma. Não utilize fichas adaptadoras com ferramentas eléctricas ligadas à terra.** As fichas não modificadas e as tomadas compatíveis reduzem o risco de choque eléctrico.
- b. **Evite que o corpo entre em contacto com superfícies ligadas à terra, como tubos, radiadores, fogões e frigoríficos.** Se o seu corpo estiver “ligado” à terra, o risco de choque eléctrico é maior.
- c. **As ferramentas eléctricas não podem ser expostas a chuva nem humidade.** A entrada de água numa ferramenta eléctrica aumenta o risco de choque eléctrico.
- d. **Manuseie o cabo com cuidado. Nunca o utilize para transportar, puxar ou desligar a ferramenta eléctrica. Mantenha o cabo afastado de fontes de calor, substâncias oleosas, extremidades aguçadas ou**

**peças móveis.** Os cabos danificados ou emaranhados aumentam o risco de choque eléctrico.

- e. **Quando trabalhar com uma ferramenta eléctrica ao ar livre, utilize um cabo de extensão apropriado para esse fim.** A utilização de um cabo adequado para uso ao ar livre reduz o risco de choque eléctrico.
  - f. **Se for inevitável trabalhar com uma ferramenta eléctrica num local húmido, utilize um dispositivo de corrente residual (RCD).** A utilização de um DCR reduz o risco de choque eléctrico.
- #### 3. Segurança pessoal
- a. **Mantenha-se alerta, tenha atenção ao que está a fazer e seja cuidadoso quando trabalhar com a ferramenta eléctrica. Não utilize uma ferramenta eléctrica quando estiver cansado ou sob o efeito de drogas, álcool ou medicamentos.** Um momento de distração durante a utilização de ferramentas eléctricas poderá resultar em ferimentos graves.
  - b. **Utilize equipamento de protecção pessoal. Use sempre uma protecção ocular.** O equipamento de protecção, como, por exemplo, uma máscara contra o pó, sapatos de segurança antiderrapantes, um capacete de segurança ou uma protecção auditiva, usado nas condições apropriadas, reduz o risco de ferimentos.
  - c. **Evite arranques involuntários. Certifique-se de que o botão está desligado antes de ligar a ferramenta à corrente eléctrica e/ou à bateria, e antes de levantar ou transportar a ferramenta.** Se mantiver o dedo sobre o interruptor ao transportar ferramentas eléctricas ou se as ligar à fonte de alimentação com o interruptor ligado, isso poderá dar origem a acidentes.
  - d. **Retire eventuais chaves de ajuste ou chaves de fendas antes de ligar a ferramenta eléctrica.** Uma chave de fenda ou de ajuste que se encontre numa peça em rotação da ferramenta eléctrica poderá causar lesões.
  - e. **Não tente chegar a pontos fora do alcance. Mantenha sempre os pés bem apoiados e um equilíbrio apropriado.** Desta forma, será mais fácil controlar a ferramenta eléctrica em situações inesperadas.
  - f. **Use vestuário adequado. Não use roupa larga ou joias. Mantenha o cabelo, a roupa e as luvas afastados das peças móveis.** As roupas largas, as joias ou o cabelo comprido podem ficar presos nestas peças.
  - g. **Se for prevista a montagem de dispositivos de extracção e recolha de poeiras, assegure-se de que estão ligados e que são utilizados de forma correcta.** A utilização de dispositivos de extracção de partículas pode reduzir os riscos relacionados com as mesmas.
  - h. **Não permita que o facto de estar familiarizado com a utilização frequente das ferramentas o torne complacente e ignore os princípios de segurança da**

**ferramenta.** Uma acção irreflectida pode causar ferimentos numa fracção de segundos.

#### 4. Utilização e manutenção da ferramenta eléctrica

- a. **Não sobrecarregue a ferramenta eléctrica. Utilize a ferramenta eléctrica correta para o seu trabalho.** A ferramenta eléctrica adequada irá efetuar o trabalho de um modo mais eficiente e seguro se for utilizada de acordo com a capacidade para a qual foi concebida.
- b. **Não utilize a ferramenta eléctrica se o interruptor não puder ser ligado nem desligado.** Qualquer ferramenta eléctrica que não possa ser controlada através do interruptor de alimentação é perigosa e tem de ser reparada.
- c. **Desligue a ficha da tomada e/ou a bateria da ferramenta eléctrica antes de proceder a ajustes, substituir acessórios ou guardar ferramentas eléctricas.** Estas medidas de segurança preventivas reduzem o risco de ligar a ferramenta eléctrica acidentalmente.
- d. **Mantenha as ferramentas eléctricas que não estiverem a ser utilizadas fora do alcance das crianças. Não permita que a ferramenta eléctrica seja utilizada por pessoas não familiarizadas com a mesma ou que não tenham lido estas instruções.** As ferramentas eléctricas são perigosas nas mãos de pessoas que não possuam as qualificações necessárias para as manusear.
- e. **Proceda à manutenção das ferramentas eléctricas. Verifique se as partes móveis estão desalinhasadas ou bloqueadas, se existem peças partidas ou qualquer outra situação que possa afetar o funcionamento das ferramentas eléctricas. Se a ferramenta eléctrica estiver danificada, esta não deve ser utilizada até que seja reparada.** Muitos acidentes têm como principal causa ferramentas eléctricas com uma manutenção insuficiente.
- f. **Mantenha as ferramentas de corte afiadas e limpas.** As ferramentas de corte sujeitas a uma manutenção adequada, com arestas de corte afiadas, emperram com menos frequência e controlam-se com maior facilidade.
- g. **Utilize a ferramenta eléctrica, acessórios e peças de ferramenta de acordo com estas instruções, considerando as condições de trabalho e a tarefa a ser executada.** A utilização da ferramenta eléctrica para fins diferentes dos previstos poderá resultar em situações perigosas.
- h. **Mantenha os punhos e as pegas de fixação secos, limpos e sem qualquer óleo ou gordura.** Se tiver as mãos escorregadias e as superfícies com gordura, isso não permite um manuseamento e controlo seguros da ferramentas em situações inesperadas.

#### 5. Assistência

- a. **A sua ferramenta eléctrica só deve ser reparada por pessoal qualificado e só devem ser colocadas peças sobressalentes originais.** Desta forma, é garantida a segurança da ferramenta eléctrica.

#### Avisos de segurança adicionais para ferramentas eléctricas



**Atenção!** Avisos de segurança adicionais para lixadoras



**Atenção!** O contacto ou a inalação de poeiras originadas pelas aplicações da lixadora poderá colocar em perigo a saúde do operador ou das pessoas presentes. Utilize uma máscara especificamente concebida para proteção contra poeiras e vapores e certifique-se de que as pessoas perto da área de trabalho também estão protegidas.

- ◆ **Segure a ferramenta eléctrica pelas áreas isoladas quando executar uma operação em que o acessório de lixagem possa entrar em contacto com a cablagem oculta.** Os acessórios em contacto com um cabo sob tensão poderão expor peças metálicas do sistema eléctrico da ferramenta e provocar um choque eléctrico ao operador.
- ◆ **Utilize grampos ou outro sistema prático para fixar e apoiar a peça numa plataforma estável.** Segurar a peça com a mão ou contra o corpo pode causar instabilidade e perda de controlo.



**Atenção!** Tenha especial cuidado ao lixar algumas madeiras (por exemplo, faia, carvalho) e metal que possam produzir poeiras tóxicas. Use uma máscara anti-poeira, especialmente concebida para protecção contra poeiras tóxicas e vapores e certifique-se de que as pessoas que se encontrem ou entre na área estão também protegidas.



**Atenção!** Ao lixar metais ferrosos, utilize esta ferramenta numa área com boa ventilação. Não utilize a ferramenta perto de líquidos, gases ou poeiras inflamáveis. As faíscas ou partículas quentes das escovas dos motores de lixar ou de escorvamento poderão inflamar os materiais combustíveis.



**Atenção!** Não lixe magnésio! Existe risco de incêndio ou explosão.

- ◆ **Remova completamente toda a poeira depois de terminar.**

- ◆ A utilização adequada é descrita neste manual de instruções. A utilização de qualquer acessório ou a realização de qualquer operação com esta ferramenta que não se inclua no presente manual de instruções poderá representar um risco de ferimentos e/ou danos materiais.

períodos prolongados, certifique-se de que faz pausas regularmente.

- ◆ Danos auditivos.
- ◆ Problemas de saúde causados pela inalação de poeiras resultantes da utilização da ferramenta (exemplo: trabalhos em madeira, especialmente carvalho, faia e MDF).

## Segurança ao lixar pinturas



**Atenção!** Verifique as normas aplicáveis para lixar pinturas. Tenha atenção especial ao seguinte:

- ◆ Sempre que possível, utilize um extractor para recolha de poeiras.
- ◆ Tenha especial cuidado quando lixar pinturas que possam conter chumbo e produzir poeiras tóxicas:
  - ◆ Não permita que crianças ou mulheres grávidas entrem na área de trabalho.
  - ◆ Todas as pessoas na área de trabalho devem utilizar uma máscara de protecção especificamente concebida contra poeiras e vapores de pinturas com chumbo.
  - ◆ Não coma, beba ou fume na área de trabalho.
- ◆ Elimine de forma segura as partículas de poeira e outros detritos originados pela remoção.

## Segurança de terceiros

- ◆ Este carregador pode ser utilizado por crianças com 8 anos de idade ou mais e por pessoas que apresentem capacidades físicas, sensoriais ou mentais reduzidas ou que não possuam os conhecimentos e a experiência necessários, se forem vigiadas e instruídas acerca da utilização do aparelho de uma forma segura e entenderem os perigos envolvidos.
- ◆ As crianças não deverão mexer no aparelho. A limpeza e manutenção não deverão ser efetuadas por crianças sem supervisão.

## Riscos residuais

Podem surgir riscos residuais adicionais durante a utilização da ferramenta, que poderão não constar nos avisos de segurança incluídos. Estes riscos podem resultar de má utilização, uso prolongado, etc.

Mesmo com o cumprimento dos regulamentos de segurança relevantes e a implementação de dispositivos de segurança, alguns riscos residuais não podem ser evitados. Estes incluem:

- ◆ Ferimentos causados pelo contacto com peças em rotação/movimento.
- ◆ Ferimentos causados durante a troca de peças, lâminas ou acessórios.
- ◆ Ferimentos causados pela utilização prolongada de uma ferramenta. Quando utilizar uma ferramenta durante

## Vibração

Os valores de emissão de vibração declarados na secção de dados técnicos e na declaração de conformidade foram medidos de acordo com o método de teste padrão fornecido pela EN EN62841 e podem ser utilizados para comparar ferramentas. O valor de emissão de vibração declarado pode ainda ser utilizado numa avaliação preliminar de exposição.

**Atenção!** O valor de emissão de vibração durante a utilização real da ferramenta eléctrica pode ser diferente do valor declarado, dependendo da forma como a ferramenta é utilizada. O nível de vibração pode aumentar acima do nível indicado.

Quando avaliar a exposição da vibração para determinar as medidas de segurança exigidas pela Diretiva 2002/44/CE para proteger pessoas que utilizem regularmente ferramentas eléctricas na sua atividade profissional, deve ser considerada uma estimativa de exposição de vibração, as condições reais de utilização e o modo de utilização da ferramenta, incluindo ainda todas as partes do ciclo de funcionamento, como os períodos de inatividade e espera da ferramenta, para além do tempo de funcionamento.

## Etiquetas colocadas na ferramenta

A ferramenta apresenta os seguintes símbolos de aviso juntamente com o código de data:



**Advertência!** Para reduzir o risco de ferimentos, o utilizador deve ler o manual de instruções.

## Segurança eléctrica



O seu carregador tem isolamento duplo. Por esse motivo, não precisa de ligação à terra. Verifique sempre se a tensão de alimentação corresponde à tensão indicada na placa sinalética. Nunca tente substituir a unidade do carregador por uma tomada de alimentação normal.

- ◆ Se o cabo de alimentação estiver danificado, terá de ser substituído pelo fabricante ou por um Centro de Assistência autorizado BLACK+DECKER, de modo a evitar lesões.

## Características

Esta ferramenta inclui algumas ou todas as seguintes características.

1. Interruptor de ligar/desligar

2. Conector de extracção do pó
3. Base
4. Suporte da ponta
5. Ponta da base de lixar
6. Ferramenta de detalhes
7. Ferramenta de perfis
8. Parafuso
9. Perfis de lixar

Para além disso, a ferramenta é fornecida com alguns ou todos os seguintes acessórios:

Acessório	Aplicação e utilização recomendadas
Papel de lixar com granulação grossa	Remoção rápida de tinta, verniz e ferrugem
Papel de lixar com granulação média	Remoção de tinta, verniz, e ferrugem
Papel de lixar com granulação fina	Polimento e acabamento de superfícies
Papel de lixar com granulação extra-fina	Para lixar entre camadas de revestimento
Pontas de lixar detalhes	Para cantos e áreas difíceis Polimento de metais
1 pano de fio de polimento/remoção descartável	Polimento de metais, remoção de verniz e limpeza de vidro
Almofada de espuma cinzenta	Aplicar e remover polimentos
Almofada de tecido falso pad vermelha	Raspar e remover ferrugem
Papel abrasivo cinzento	Polimento de plásticos
Ferramenta de contornos	Curvas e perfis

## Montagem

**Advertência!** Antes da montagem, certifique-se de que a ferramenta está desligada da corrente eléctrica.

### Instalação das folhas de lixa (fig. A & B)

- ◆ Retire as duas pontas em forma de diamante (10) da folha de lixa (11).
- ◆ Segure a ferramenta com a base de lixar virada para cima.
- ◆ Posicione a folha de lixa (11) na base de lixar, assegurando-se de que os orifícios da folha ficam alinhadas com os orifícios da base.

A ponta em forma de diamante (10) pode ser invertida e substituída quando gasta.

- ◆ Quando a parte frontal da ponta estiver gasta, retire-a da folha, inverta-a e coloque-a novamente na base de lixar.
- ◆ Quanto a ponta estiver completamente gasta, retire-a da base de lixar e coloque uma nova.
- ◆ A espuma e almofadas de polimento (14) podem ser colocadas da mesma maneira que as folhas de lixar.

### Ponta da base de lixar (fig. C)

Quando a ponta da base (5) ou o suporte da ponta (4) estiverem desgastados, estes podem ser invertidos ou substituídos. As peças sobressalentes estão disponíveis no seu agente BLACK+DECKER.

- ◆ Remova o parafuso (8).
- ◆ Inverta ou substitua a peça gasta.
- ◆ Coloque e aperte o parafuso.

### Ferramenta de detalhes (fig. D)

A ferramenta de detalhes é utilizada para lixar pequenos detalhes.

- ◆ Remova o parafuso (8).
- ◆ Remova o suporte da ponta (4) em forma de diamante da base de lixar.
- ◆ Coloque a ferramenta para detalhes (6) na base de lixar.
- ◆ Coloque e aperte o parafuso.
- ◆ Coloque a folha de lixa adequada (12) na ferramenta de detalhes.

### Ferramenta de perfis (apenas KA160K/KA161K) (fig. E)

A ferramenta de perfis é utilizada para o lixamento de contornos.

- ◆ Remova o parafuso (8).
- ◆ Remova o suporte da ponta (4) em forma de diamante da base de lixar.
- ◆ Coloque a ferramenta de perfis (7) na base de lixar.
- ◆ Coloque e aperte o parafuso.

### Colocação e remoção de um perfil de lixar (fig. F1 & F2)

- ◆ Escolha o perfil de lixar mais adequado à sua aplicação.
- ◆ Coloque uma extremidade do perfil de lixar (9) na ranhura na extremidade frontal do suporte do perfil (7).
- ◆ Empurre a outra extremidade do perfil de lixar até que este faça clique.
- ◆ Para remover o perfil de lixar, empurre-o para a frente e retire a extremidade traseira do suporte do perfil (fig. F2).

### Colocação de uma folha de lixa num perfil de lixar (fig. G)

- ◆ Alinhe a folha de lixa (13) com o perfil de lixar (9).
- ◆ Pressione a folha de lixa contra o perfil de lixar, assegurando-se de que a folha de lixa segue a forma do perfil.

## Utilização

**Advertência!** Não tape as ranhuras de ventilação durante a utilização da ferramenta. Segure a ferramenta como mostrado na fig. H. Certifique-se que a base fica nivelada com a peça de trabalho.

### Como ligar o aspirador de pó (fig. I)

A ferramenta tem um adaptador para ligar um aspirador sempre que lixar madeira. Para ligar a ferramenta a um aspirador, proceda da seguinte maneira:

**Advertência!** Certifique-se de que a ferramenta esteja desligada no interruptor e retire a tomada da corrente.

- ◆ Coloque o conector de extracção de pó (2) no adaptador na parte de trás da ferramenta.
- ◆ Ligue o tubo de um aspirador adequado ao conector.

## Utilização

**Advertência!** Deixe que a ferramenta funcione à vontade. Não o sobrecarregue.

### Como ligar e desligar a ferramenta (fig. J)

**Advertência!** Antes de ligar a ferramenta à fonte de alimentação, certifique-se de que está desligada.

- ◆ Para ligar a ferramenta, carregue na parte do interruptor de ligar/desligar (1) marcado com "I".
- ◆ Para desligar a ferramenta, carregue na parte do interruptor de ligar/desligar (1) marcado com "0".

## Acessórios

O desempenho da sua ferramenta depende dos acessórios utilizados. Os acessórios da BLACK+DECKER e Piranha são fabricados de acordo com os mais altos padrões de qualidade e são concebidos para melhorar o desempenho da sua ferramenta. Ao utilizar estes acessórios, poderá tirar um maior partido da sua ferramenta.

## Manutenção

Esta ferramenta foi desenvolvida para funcionar por um longo período de tempo, com o mínimo de manutenção. O funcionamento contínuo e satisfatório depende de limpeza regular e de manutenção adequada.

**Advertência!** Antes de qualquer procedimento de manutenção, desligue a ferramenta no interruptor e retire a tomada da corrente.

- ◆ Limpe regularmente as fendas de ventilação da ferramenta utilizando uma escova suave ou um pano seco.
- ◆ Limpe regularmente o compartimento do motor utilizando um pano húmido. Não utilize nenhum detergente abrasivo nem à base de solvente.

## Proteção do ambiente



Faça uma recolha de lixo seletiva. Os produtos e as baterias assinaladas com este símbolo não devem ser eliminados juntamente com o lixo doméstico normal.

Os produtos e as baterias contêm materiais que podem ser recuperados ou reciclados, reduzindo assim a necessidade de matérias-primas.

Recicle os produtos eléctricos e as baterias de acordo com as disposições locais. Estão disponíveis mais informações em [www.2helpU.com](http://www.2helpU.com)

## Dados técnicos

		KA160, KA160K KA161, KA161K Type 1
Voltagem	V <sub>ac</sub>	230
Potência	W	55
Velocidade sem carga	min <sup>-1</sup>	11,000
Peso	kg	0.8

Nível de pressão de ruído segundo a EN 62841:	
L <sub>pa</sub> (Pressão acústica)	66 dB(A), imprecisão (K) 3 dB(A)
L <sub>wa</sub> (Potência acústica)	79 dB(A), imprecisão (K) 3 dB(A)
Valores totais de vibração (soma vectores triax) de acordo com EN 62841:	
Valor de emissão de vibrações (a <sub>v</sub> )	5.6 m/s <sup>2</sup> , imprecisão (K) 1.5 m/s <sup>2</sup>

## Declaração de conformidade CE DIRECTIVA "MÁQUINAS"



Lixadeira - KA160, KA160K KA161, KA161K

A Black & Decker declara que os produtos descritos nos "dados técnicos" estão em conformidade com:  
EN62841-1:2015, EN62841-2-4:2014

Estes produtos estão também em conformidade com a directiva 2006/42/CE, 2014/30/UE e 2011/65/UE

Para obter mais informações, contacte a Black & Decker através do endereço seguinte ou consulte o verso do manual.



O signatário é responsável pela compilação do ficheiro técnico e efetua esta declaração em nome da Black & Decker.



A. Smith  
Director de Engenharia  
Black & Decker Europe, 210 Bath Road, Slough,  
Berkshire, SL1 3YD  
Reino Unido  
28/02/2019

## Garantia

A Black & Decker confia na qualidade dos seus produtos e oferece aos clientes uma garantia de 24 meses a partir da data de compra. Esta garantia é um complemento dos seus direitos estabelecidos por lei, não os prejudicando de forma alguma. A garantia é válida nos Estados-membros da União Europeia e nos países-membros da Zona Europeia de Comércio Livre.

Para acionar a garantia, esta deve estar em conformidade com os termos e condições da Black & Decker e terá de apresentar o comprovativo de compra ao vendedor ou a um agente de reparação autorizado. Os termos e condições da garantia de 2 anos da Black & Decker e a localização do agente de reparação autorizado mais próximo podem ser obtidos na Internet em [www.2helpU.com](http://www.2helpU.com) ou contactando uma filial da Black & Decker, cuja morada está indicada neste manual.

Visite o nosso Website [www.blackanddecker.co.uk](http://www.blackanddecker.co.uk) para registar o novo produto Black & Decker e manter-se atualizado relativamente a novos produtos e ofertas especiais.

## Avsedd användning

Din BLACK+DECKER KA160, KA160K KA161, KA161K slipmaskin har designats för slipning av trä, metall, plast och målade ytor. Detta verktyg är endast avsett för konsumentbruk.

## Säkerhetsinstruktioner

### Allmänna säkerhetsanvisningar för elverktyg



**Varning! Läs alla säkerhetsvarningar och instruktioner.** Fel som uppstår till följd av att varningarna och instruktionerna som listas nedan inte följts kan orsaka elstötar, brand och/eller allvarliga kroppsskador.

**Spara alla säkerhetsföreskrifter och anvisningar för framtida bruk.** Begreppet "Elverktyg" i alla varningar som listas nedan avser nätdrivna elverktyg (med nätsladd) och batteridrivna elverktyg (sladdlösa).

#### 1. Säkerhet på arbetsplatsen

- Se till att arbetsplatsen är obelamrad och välbelyst.** Belamrade och mörka områden inbjuder till olyckor.
- Använd inte elverktyget i explosionsfarlig omgivning, t.ex. i närheten av brännbara vätskor, gaser eller damm.** Elverktyg skapar gnistor som kan antända damm eller ångor.
- Håll barn och andra personer på avstånd när ett elverktyg används.** Distraktioner kan göra att du förlorar kontrollen.

#### 2. Elsäkerhet

- Elverktygets stickkontakt måste passa i eluttaget. Modifiera aldrig kontakten på något sätt. Använd inga adapterkontakter tillsammans med jordade elverktyg.** Icke modifierade kontakter och passande uttag minskar risken för elektrisk stöt.
- Undvik kroppskontakt med jordade ytor såsom rör, radiatorer, spis och kylskåp.** Det finns en ökad risk för elektrisk stöt om din kropp är jordansluten eller jordad.
- Skydda elverktyget mot regn och väta.** Vatten som kommer in i ett elverktyg ökar risken för elektrisk stöt.
- Hantera nätsladden varsamt. Använd aldrig sladden för att bära, dra eller koppla bort elverktyget från uttaget. Håll sladden borta från värme, olja, skarpa kanter eller rörliga delar.** Skadade eller tilltrasslade sladdar ökar risken för elektrisk stöt.
- Använd endast förlängningssladdar som är godkända för utomhusbruk när du arbetar med elverktyg utomhus.** Användning av en sladd som är lämplig för utomhusbruk minskar risken för elektriska stötar.

f. Om du måste använda ett elverktyg på en fuktig plats ska du använda jordfelsbrytare. Användning av en jordfelsbrytare minskar risken för elektrisk stöt.

### 3. Personlig säkerhet

a. Var uppmärksam, se på vad du gör och använd elverktyget med förnuft. Använd inte ett elverktyg när du är trött eller påverkad av droger, alkohol eller mediciner. Ett ögonblicks ouppmärksamhet när du arbetar med elektriska verktyg kan leda till allvarliga personskador.

b. Använd personlig skyddsutrustning. Använd alltid skyddsglasögon. Skyddsutrustning såsom dammfilterskydd, halksäkra säkerhetsskor, skyddshjälm eller hörselskydd som används för lämpliga förhållanden minskar personskador.

c. Förhindra oavsiktlig start. Kontrollera att strömbrytaren står i avstängt läge innan du ansluter verktyget till elnätet eller sätter i batteriet, samt innan du tar upp eller bär verktyget. Att bära elektriska verktyg med fingret på strömbrytaren eller att koppla strömmen till elektriska verktyg när strömbrytaren är på leder till olyckor.

d. Ta bort alla inställningsnycklar innan elverktyget slås på. Ett verktyg eller en nyckel som har lämnats kvar på en roterande del av det elektriska verktyget kan orsaka kroppsskador.

e. Sträck dig inte för långt. Ha ordentligt fotfäste och balans hela tiden. Detta möjliggör bättre kontroll av elverktyget i oväntade situationer.

f. Bär lämpliga kläder. Bär inte lösa kläder eller smycken. Håll hår, beklädnad och handskar borta från delar i rörelse. Lösa kläder, smycken eller långt hår kan fastna i rörliga delar.

g. Om elverktyget har dammuppsugnings- och uppsamlingsutrustning kontrollerar du att den är monterad och används på korrekt sätt. Användning av dammuppsamling kan minska dammrelaterade risker.

h. Låt inte förtrogenheten som uppstått genom regelbunden användning av verktyg låta dig bli självsäker och ignorera verktygets säkerhetsprinciper. En oförsiktig handling kan orsaka allvarliga skador under bråkdelen av en sekund.

### 4. Användning och skötsel av elverktyg

a. Överbelasta inte elverktyget. Använd rätt elverktyg för ditt arbete. Det korrekta elverktyget gör arbetet bättre och säkrare vid den hastighet för vilket det konstruerades.

b. Använd inte elverktyget om det inte kan startas och stängas av med strömbrytaren. Ett elverktyg som inte kan kontrolleras med strömbrytaren är farligt och måste repareras.

c. Dra stickproppen ur vägguttaget och/eller ta ut batteriet ur elverktyget innan inställningar görs,

tillbehörsdelar byts ut eller elverktyget ställs undan. Sådana förebyggande säkerhetsåtgärder minskar risken att oavsiktligt starta elverktyget.

d. Förvara elverktyg utom räckhåll för barn och låt inte personer som inte är vana vid elverktyget eller som inte läst denna bruksanvisning använda det. Elverktyg är farliga i händerna på ovana användare.

e. Underhålla elverktyg. Kontrollera att rörliga komponenter fungerar felfritt och inte kärvar, att komponenter inte gått sönder eller skadats och inget annat föreligger som kan påverka elverktygets funktion. Om det är skadat, se till att elverktyget blir reparerat före användning. Många olyckor orsakas av dåligt underhållna elektriska verktyg.

f. Håll kapverktyg skarpa och rena. Korrekt underhållna kapverktyg med vassa skär är mindre troliga att de fastnar och är lättare att kontrollera.

g. Använd elverktyg, tillbehör, bits m.m. enligt dessa anvisningar och beakta arbetsvillkoren och det arbete som ska utföras. Användning av elverktyget för andra uppgifter än vad som avsetts kan resultera i farliga situationer.

h. Håll handtagen och greppytorna torra, rena och fria från olja och fett.

Håll handtag och greppytor förhindrar säker hantering och kontroll av verktyget i oväntade situationer.

### 5. Service

a. Låt en kvalificerad reparatör som bara använder originaldelar utföra service på elverktyget. Detta säkerställer att elverktygets säkerhet bibehålls.

### Ytterligare säkerhetsanvisningar för elverktyg



**Varning!** Ytterligare säkerhetsanvisningar för slipmaskiner



**Varning!** Slipning ger upphov till damm som kan skada den som använder verktyget och andra i närheten vid kontakt eller inandning. Använd en specialkonstruerad ansiktsmask som skyddar mot damm och ångor och se till att personer som vistas inom eller i närheten av arbetsområdet också är skyddade.

◆ Håll verktyget i de isolerade greppytorna vid arbete där det skärande tillbehöret riskerar att komma i kontakt med dolda elledningar. Om ett tillbehör kommer i kontakt med en strömförande ledning kan verktygets metalldelar bli strömförande och ge dig en elektrisk stöt.

◆ Använd klämmor eller något annat praktiskt sätt att stödja arbetsstycket vid ett stabilt underlag. Att hålla arbetet för hand eller mot kroppen är instabilt och kan göra att du förlorar kontrollen.



**Varning!** Var extra försiktig vid slipning av vissa träslag (t.ex. bok, ek) och metall eftersom det kan produceras giftig damm. Använd ett andningsskydd som konstruerats speciellt för skydd mot giftigt damm och rök och se till att personer inom eller som kommer in i arbetsområdet också skyddas.



**Varning!** Använd det här verktyget på en plats med god ventilation vid slipning av järnhaltiga metaller. Använd inte verktyget i närheten av brandfarliga vätskor, gaser eller damm. Gnistor eller varma partiklar från slipningen eller ljusbågar från motorn kan antända brännbart material.



**Varning!** Slipa inte magnesium! Det finns risk för brand eller explosioner.

- ◆ Var noga med att avlägsna allt damm när slipningen har avslutats.
- ◆ Avsedd användning beskrivs i denna bruksanvisning. Om andra tillbehör eller tillsatser används, eller om någon annan åtgärd än de som rekommenderas i den här bruksanvisningen utförs med verktyget kan personer och/eller egendom ta skada.

## Säkerhet vid slipning av målarfärg



**Varning!** Iaktta gällande föreskrifter vid slipning av målarfärg. Var särskilt uppmärksam på följande:

- ◆ Använd om möjligt dammsugningsutrustning.
- ◆ Var särskilt försiktig när du slipar bort färg som eventuellt innehåller bly och som kan avge giftigt slipdamm:
  - ◆ Låt aldrig barn eller gravida kvinnor vistas på arbetsplatsen.
  - ◆ Alla människor som vistas på arbetsplatsen ska använda en specialkonstruerad ansiktsmask som skyddar mot blyhaltigt damm eller ångor.
  - ◆ Ät, drick och rök inte på arbetsplatsen.
- ◆ Släng damm och annat avlägsnat avfall på miljösäker plats.

## Andras säkerhet

- ◆ Denna laddare kan användas av barn från åtta år och personer med nedsatt fysisk eller psykisk förmåga eller bristande erfarenhet eller kunskap, om de får lämplig vägledning och är medvetna om riskerna.
- ◆ Barn ska inte leka med apparaten. Rengöring och användarunderhåll ska inte utföras av barn utan övervakning.

## Övriga risker

Ytterligare risker som inte finns med i de bifogade säkerhetsanvisningarna kan uppstå när verktyget används. Dessa risker kan uppstå vid felaktig eller långvarig användning, etc. Även om alla relevanta säkerhetsanvisningar följs och säkerhetsanordningar används kan vissa ytterligare risker inte undvikas. Dessa omfattar:

- ◆ Skador orsakade av att roterande/rörliga delar vidrörs.
- ◆ Skador som uppstår vid byte av delar, blad eller tillbehör.
- ◆ Skador som orsakas av långvarig användning av ett verktyg. Se till att regelbundet ta vilopausar när du använder ett verktyg under en längre period.
- ◆ Hørselnedsättning.
- ◆ Hälsorisker orsakade av inandning av damm när redskapet används (exempel: arbete med trä, särskilt ek, bok och MDF.)

## Vibrationer

De vibrationsvärden som anges i avsnitten Tekniska data och deklarationen om överensstämmelse har uppmätts i enlighet med en standardtestmetod föreskriven i EN62841 och kan användas för jämförelse med andra verktyg. Det angivna vibrationsvärdet kan även användas för en preliminär bedömning av exponeringen.

**Varning!** Vibrationsvärdet under faktisk användning av elverktyget kan skilja sig från det uppgivna värdet beroende på hur verktyget används. Vibrationsnivån kan överstiga den uppgivna nivån.

Vid uppskattningar av exponering för vibrationer i syfte att bedöma vilka säkerhetsåtgärder som är nödvändiga enligt 2002/44/EG för att skydda personer som regelbundet använder elverktyg i arbetet ska man utgå från de faktiska omständigheter under vilka elverktyget används och sättet på vilket det används. Bedömningen ska även ta hänsyn till alla moment i arbetscykeln, t.ex. när verktyget är avstängt och när det går på tomgång såväl som när det faktiskt används.

## Etiketter på verktyget

Följande varningssymboler finns på verktyget, tillsammans med datumkoden:



**Varning!** Läs bruksanvisningen innan du använder sågen för att minska risken för olyckor.

## Elsäkerhet



Eftersom laddaren är dubbelisolerad behövs ingen jordledare. Kontrollera alltid att nätspänningen överensstämmer med spänningen på typskylten. Försök aldrig byta ut laddaren mot en vanlig nätkontakt.

- ◆ Om nätsladden är skadad måste den bytas ut av tillverkaren eller ett auktoriserat BLACK+DECKER servicecenter för att undvika fara.

## Detaljbeskrivning

Verktøget har en del eller samtliga av nedanstående funktioner.

1. Strömbrytare
2. Dammuppsamlingsanslutning
3. Bas
4. Spetshållare
5. Slippets
6. Fingerslipplatta
7. Profiltillsats
8. Skruv
9. Slipp profiler

Dessutom är det här verktyget försett med några av följande tillbehör:

Tillbehör	Rekommenderad användning
Grovt sandpapper	Snabbortagning av färg, fernissa och rost
Medelgrovt sandpapper	Bortagning av färg, fernissa och rost
Fint sandpapper	Ytputsning och finish
Extra fint sandpapper	Slipning mellan skikt
Detaljslippetsar	Hörn och svåråtkomliga ställen
1 OT stålull för polering/slättslipning	Polering av metall, slättslipning, av fernissade ytor, rengöring av glas
Skumplastskiva	Täcka med polärmedel/ Ta bort polärmedel
Röd fiberskiva	Hårskrubbnings och rostborttagning
Grått slippapper	Plastpolering
Konturtillsatser	Kurvor och profiler

## Montering

**Varning!** Se till att verktyget är avstängt samt att det inte är anslutet innan monteringen börjar.

### Montering av slippapper (fig. A & B)

- ◆ Drag lös de två rutformade spetsarna (10) från slippapperet (11).
- ◆ Håll verktyget med slippattan vänd uppåt.
- ◆ Placera slippapperet (11) på slippattan och se till att hålen i papperet korresponderar med hålen i plattan.

Den rutformade spetsen (10) kan vändas eller bytas ut när den blir sliten.

- ◆ När spetsens främre del är sliten, drar man av den från papperet, vänder på den och trycker fast den igen på slippattan.
- ◆ Kuddar och plattor för polering (14) kan sättas fast på samma sätt som slippappren.
- ◆ Kuddar och plattor för polering (14) kan sättas fast på samma sätt som slippappren.

### Slippattans spets (fig. C)

När spetsen på slippattan (5) har blivit utsliten kan den vändas eller bytas ut. Detta gäller även för hållaren (4). Reservdelar finns hos din BLACK+DECKER återförsäljare.

- ◆ Ta ut skruven (8).
- ◆ Vänd den slitna delen helt om eller byt ut den.
- ◆ Sätt i skruven och dra åt.

### Tillsatsspets (fig. D)

Fingertillsatsen används för slipning av fina detaljer.

- ◆ Ta ut skruven (8).
- ◆ Ta av den rutformade spetshållaren (4) från slippattan.
- ◆ Sätt fingertillsatsen (6) på slippattan.
- ◆ Sätt i skruven och dra åt.
- ◆ Sätt på lämpligt slippapper (12) på fingertillsatsen.

### Profiltillsats (KA160K/KA161K enbart) (fig. E)

Profiltillsatsen används för konturslipning.

- ◆ Ta ut skruven (8).
- ◆ Ta av den rutformade spetshållaren (4) från slippattan.
- ◆ Sätt fast profiltillsatsen (7) på slippattan.
- ◆ Sätt i skruven och dra åt.

### Montera och ta bort en slippprofil (fig. F1 & F2)

- ◆ Välj ut den profil som bäst passar för ditt ändamål.
- ◆ Sätt ena änden på slippprofilen (9) i uttaget fram till på profilhållaren (7).
- ◆ Tryck in profilen från andra änden tills den låser fast.
- ◆ Slippprofilen tas bort genom att man trycker den framåt och drar ut den ur profilhållaren (fig. F2).

### Montering av slippappret på slippprofil (fig. G)

- ◆ Passa in slippappret (13) på slippprofilen (9).
- ◆ Tryck fast slippappret mot profilen och se till att slippappret anpassar sig till profilen.

## Användning

**Varning!** Täck aldrig över luftspringorna medan du använder verktyget. Håll verktyget som framgår av fig. H. Se till att slippattan ligger platt mot arbetsstycket.

## Ansluta dammsugare (fig. I)

Verktyget har en adapter för anslutning till en dammsugare när man slipar trä. Anslut verktyget till dammsugaren på följande sätt:

**Varning!** Kontrollera att verktyget är avstängt samt att sladden är utdragen.

- ◆ Sätt dammuppsamlaren (2) på adapter baktill på verktyget.
- ◆ Anslut slangen till en lämplig dammsugare.

## Användning

**Varning!** Överbelasta inte maskinen, låt den arbeta i sin egen takt.

## Start och stopp (fig. J)

**Varning!** Verktöget ska vara avstängt när det ansluts till någon strömkälla.

- ◆ Tryck på "I" på strömbrytaren (1) och starta verktyget.
- ◆ Tryck på "0" på strömbrytaren (1) och stäng av verktyget.

## Tillbehör

Verktygets användningsområde beror på vilket tillbehör du väljer. BLACK+DECKER- och Piranhattillbehören är av hög kvalitet. Genom att använda dessa tillbehör kan du få ut mesta möjliga av verktyget.

## Skötsel

Ditt verktyg har tillverkats för att fungera under lång tid med ett minimum av underhåll. Med rätt underhåll och regelbunden rengöring behåller verktyget sin prestanda.

**Varning!** Stäng av verktyget och dra ut sladden innan du påbörjar underhåll och skötsel.

- ◆ Rengör regelbundet verktygets luftintag med en mjuk borste eller torr trasa.
- ◆ Rengör kåpan regelbundet med en fuktig trasa. Använd aldrig rengöringsmedel med lösnings- eller slipmedel.

## Skydda miljön



Separat insamling. Produkter och batterier som är markerade med denna symbol får inte kastas i de vanliga hushållssoporna.

Produkter och batterier innehåller material som kan återanvändas eller återvinnas för att minska behovet av råmaterial. Återvinn elektriska produkter och batterier enligt lokala bestämmelser. Närmare information finns tillgänglig på [www.2helpU.com](http://www.2helpU.com)

## Tekniska data

		KA160, KA160K KA161, KA161K Type 1
Spänning	$V_{ac}$	230
Ineffekt	W	55
Obelastad hastighet	$\text{min}^{-1}$	11,000
Vikt	kg	0.8

Bullernivå, uppmätt enligt EN 62841:	
$L_{pA}$ (Bullernivå)	66 dB(A), avvikelse (K) 3 dB(A)
$L_{WA}$ (Ljudeffekt)	79 dB(A), avvikelse (K) 3 dB(A)
Vibrationens totala värde (treaxelvektorsumma) bestämd enligt EN 62841:	
Vibrationsemissionsvärde ( $a_w$ ) 5.6 $\text{m/s}^2$ , avvikelse (K) 1.5 $\text{m/s}^2$	

## EG-försäkran om överensstämmelse

MASKINDIREKTIVET



Slipmaskin - KA160, KA160K KA161, KA161K

Black & Decker försäkrar att dessa produkter, beskrivna under "tekniska data" uppfyller: EN62841-1:2015, EN62841-2-4:2014.

Dessa produkter överensstämmer även med direktiven 2006/42/EG, 2014/30/EU och 2011/65/EU.

För ytterligare information kontakta Black & Decker på följande adress, eller se handbokens baksida.

Undertecknad är ansvarig för sammanställningen av tekniska data och gör denna försäkran för Black & Decker.

A. Smith  
Technical Director  
Black & Decker Europe, 210 Bath Road, Slough,  
Berkshire, SL1 3YD  
Storbritannien  
28/02/2019

## Garanti

Black & Decker är säkra på kvaliteten hos denna produkt och erbjuder kunder 24 månaders garanti från datumet för inköpet. Garantin gäller utöver konsumentens rättigheter enligt lag och påverkar inte dessa. Garantin är giltig i de områden som tillhör medlemsstaterna i Europeiska unionen och det europeiska frihandelsområdet.

För yrkande under garantin måste yrkandet vara in enlighet med Black & Deckers villkor och du kommer att behöva skicka

## SVENSKA

(Översättning av originalanvisningarna)

in bevis på köpet till försäljaren eller en auktoriserad reparatör. Villkoren för Black & Deckers tvååriga garanti och var du hittar din närmaste auktoriserade reparatör kan erhållas på internet på [www.2helpU.com](http://www.2helpU.com), eller genom att kontakta ditt lokala Black & Decker kontor på adressen som angetts i denna bruksanvisning.

Besök vår webbplats [www.blackanddecker.se](http://www.blackanddecker.se) för att registrera din nya Black & Decker-produkt samt för att få information om nya produkter och specialerbjudanden.

## NORSK

(Oversettelse av de opprinnelige instruksjonene)

### Tiltenkt bruk

Din BLACK+DECKER KA160, KA160K KA161, KA161K sandsliper er konstruert for sliping av treverk, metall, plast og malte overflater. Dette verktøyet er bare ment som et forbrukerverktøy.

### Sikkerhetsinstruksjoner

#### Generelle sikkerhetsadvarsler for elektroverktøy



**Advarsel! Les alle sikkerhetsadvarsler og alle instruksjoner.** Hvis advarslene og anvisningene nedenfor ikke overholdes, kan det medføre elektrisk støt, brann og/eller alvorlige personskader.

**Ta vare på alle advarsler og instruksjoner for fremtidig bruk.** Uttrykket "elektroverktøy" i alle advarslene nedenfor gjelder for strømdrevne elektroverktøy (med ledning) og batteridrevne elektroverktøy (uten ledning).

#### 1. Sikkerhet i arbeidsområdet

- Hold arbeidsområdet rent og godt opplyst.** Rotete eller mørke områder er en invitasjon til ulykker.
- Ikke arbeid med elektroverktøy i eksplosjonsfarlige omgivelser, for eksempel der det befinner seg brennbare væsker, gass eller støv.** Elektrisk verktøy skaper gnister som kan antenne støv eller gasser.
- Hold barn og andre personer unna når du bruker et elektroverktøy.** Distraksjoner kan føre til at du mister kontrollen.

#### 2. Elektrisk sikkerhet

- Støpselet til elektroverktøy må passe til stikkkontakten. Aldri modifier støpselet på noen måte. Ikke bruk adapterstøpsler til jordede elektriske verktøy.** Umodifiserte støpsler og stikkontakter som passer vil redusere risikoen for elektrisk sjokk.

(Oversettelse av de opprinnelige instruksjonene)

## NORSK

- Unngå kroppskontakt med jordede overflater som rør, radiatorer, komfyrer og kjøleskap.** Det er økt risiko for elektrisk støt dersom kroppen din er jordnet.
- Ikke utsett elektroverktøy for regn eller fuktighet.** Dersom det kommer vann inn i et elektrisk verktøy vil det øke risikoen for elektrisk sjokk.
- Unngå uforvarlig behandling av ledningen. Aldri bruk ledningen til å bære, trekke eller dra ut støpselet til det elektriske verktøyet. Hold ledningen borte fra varme, olje, skarpe kanter eller bevegelige deler.** Skadede eller innviklede ledninger øker risikoen for elektrisk sjokk.
- Når du bruker et elektroverktøy utendørs, må du bruke en skjøteledning som er egnet til utendørs bruk.** Bruk av en skjøteledning beregnet for utendørs bruk reduserer risikoen for elektrisk støt.
- Hvis du ikke kan unngå å bruke elektroverktøy på et fuktig sted, må du bruke en strømforsyning som er beskyttet med jordfeilbryter (RCD).** Bruk av jordfeilbryter (RCD) reduserer risikoen for elektrisk støt.

#### 3. Personikkerhet

- Vær oppmerksom, pass på hva du gjør, og vis fornuft når du arbeider med et elektroverktøy. Ikke bruk et elektrisk verktøy dersom du er trøtt eller er påvirket av medikamenter, narkotika eller alkohol.** Ett øyeblikks uoppmerksomhet under bruk av elektriske verktøy kan føre til alvorlig personskade.
- Bruk personlig verneutstyr. Bruk alltid vernerbriller.** Verneutstyr slik som støvmaske, sklisiske vernesko, hjelm, eller hørselsvern brukt under passende forhold vil redusere personskader.
- Forhindre utilsiktet start. Kontroller at bryteren står i posisjon "av" før du kobler til strømkilden og/eller batteripakken, og før du tar opp eller bærer verktøyet.** Å bære elektriske verktøy med fingeren på bryteren eller å sette inn støpselet mens elektriske verktøy har bryteren på øker faren for ulykker.
- Fjern eventuelt innstillingsverktøy eller skruverktøy før du slår på elektroverktøyet.** Et skruverktøy eller en nøkkel som fortsatt er festet til en roterende del av elektroverktøyet, kan føre til personskade.
- Ikke strekk deg for langt. Ha godt fotfeste og stå støtt hele tiden.** Dette fører til at du har bedre kontroll over det elektriske verktøyet ved uventede situasjoner.
- Bruk egnede klær. Ikke ha på deg løstsittende klær eller smykker. Hold hår, antrekk og hansker borte fra bevegelige deler.** Løstsittende klær, smykker og langt hår kan bli fanget opp av bevegelige deler.
- Hvis det kan monteres støvavsug- og oppsamlingsinnretninger, må du forvise deg om at disse er tilkoblet og brukes på riktig måte.** Bruk av støvoppsamlere kan redusere støvrelaterte farer.

h. **Ikke la erfaring med hyppig bruk av verktøy la deg bli likegyldig og ignorere verktøyet sine sikkerhetsregler.** En uforsiktig handling kan føre til alvorlig personskade på brokdelen av et sekund.

#### 4. Bruk og behandling av elektroverktøy

a. **Ikke bruk makt på elektroverktøyet. Bruk det elektriske verktøyet som situasjonen krever.** Det riktige elektriske verktøyet vil gjøre jobben bedre og tryggere ved den hastigheten det ble konstruert for.

b. **Ikke bruk elektroverktøyet hvis du ikke kan slå det på og av med bryteren.** Ethvert elektrisk verktøy som ikke kan kontrolleres med bryteren er farlig og må repareres.

c. **Trekk støpselet ut av stikkkontakten og/eller koble fra batteripakken på elektroverktøyet før du utfører innstillinger, bytter tilbehør eller legger elektroverktøyet bort.** Slike preventive sikkerhetsforanstaltninger reduserer risikoen for å starte det elektriske verktøyet ved et uhell.

d. **Elektroverktøy som ikke er i bruk, må oppbevares utilgjengelig for barn. Ikke la verktøyet bli brukt av personer som ikke er fortlørlige med det, eller som ikke kjenner disse instruksjonene.** Elektriske verktøy er farlige i hendene på utrenede brukere.

e. **Sørg for vedlikehold av elektroverktøy. Undersøk om bevegelige deler er feiljustert eller blokkert, om deler er skadet, og om det er andre forhold som kan påvirke elektroverktøyet sine funksjoner. Dersom det er skadet, få verktøyet reparert før neste bruk.** Mange ulykker forårsakes av dårlig vedlikeholdte verktøy.

f. **Hold skjæreverktøy skarpe og rene.** Godt vedlikeholdte skjæreverktøy med skarpe skjærekanter setter seg mindre sannsynlig fast og er lettere å kontrollere.

g. **Bruk elektroverktøy, tilbehør, bor osv. i henhold til disse instruksjonene. Ta hensyn til arbeidsforholdene og arbeidet som skal utføres.** Bruk av det elektriske verktøyet for oppgaver som er forskjellige fra de som er tiltenkt kan føre til en farlig situasjon.

h. **Hold håndtakene og gripeflatene tørre, rene og frie for olje og fett.**

Glatte håndtak og gripeflater forhindrer trygg håndtering og kontroll av verktøyet i uventede situasjoner.

#### 5. Service

a. **Elektroverktøy skal repareres av kvalifisert personell og bare med originale reservedeler.** Dette vil sikre at verktøyet sine sikkerhet blir ivaretatt.

#### Ytterligere sikkerhetsadvarsler for elektroverktøy



**Advarsel!** Ekstra sikkerhetsvarsler for slipe-maskiner



**Advarsel!** Kontakt med eller innånding av støv som oppstår ved pussing, kan være helseskadelig for brukeren og eventuelle personer i nærheten. Bruk en støvmaske som er spesielt utformet for å beskytte mot støv og damp/gass, og pass på at personer som er i eller kommer inn i arbeidsområdet, også er beskyttet.

- ◆ **Hold elektroverktøyet i de isolerte håndtakene når du utfører et arbeid der skjæretilbehøret kan komme i kontakt med skjulte ledninger.** Hvis skjæretilbehøret kommer i kontakt med en strømførende ledning, kan frittliggende metalldele på verktøyet bli strømførende, og brukeren kan få elektrisk støt.
- ◆ **Bruk tvinger eller annen praktisk måte å sikre og holde arbeidsstykket på et stabilt underlag.** Å holde arbeidsstykket i hendene eller mot kroppen er ustabil og kan føre til at du mister kontroll.



**Advarsel!** Vær spesielt forsiktig ved sliping av noen tresorter (f.eks. bøk, eik) og metall som kan produsere giftig støv. Bruk en støvmaske spesielt designet for beskyttelse mot giftig støv og røyk og påse at personer innenfor eller som kommer inn i arbeidsområdet også har beskyttelse.



**Advarsel!** Bruk dette verktøyet på et sted med god gjennomlufting når du sliper jernholdige metaller. Ikke bruk verktøyet i nærheten av brennbare væsker eller gasser eller brennbart støv. Gnister eller varme partikler fra sliping eller gnister fra motorbørstene kan antenne brennbart materiale.



**Advarsel!** Ikke slip magnesium! Det kan føre til brann eller eksplosjoner.

- ◆ Fjern alt støv grundig etter sliping.
- ◆ Bruksområdet er beskrevet i denne bruksanvisning. Hvis du bruker annet tilbehør, kobler til annet utstyr eller bruker dette produktet til andre oppgaver enn det som er anbefalt i denne håndboken, kan det medføre fare for personskader og/eller skade på eiendom.

#### Sikkerhet ved sliping av malte overflater



**Advarsel!** Følg alltid nøye alle sikkerhetsinstruksjoner for sliping av maling. Vær spesielt oppmerksom på følgende:

- ◆ Om mulig, bruk en støvsuger for å samle opp støv.
- ◆ Vær ekstra forsiktig når du pusser maling som kan inneholde bly og kan avgis giftig støv:
  - ◆ Ikke la barn eller gravide komme inn der du arbeider.

- ◆ Alle som kommer inn i arbeidsområdet må bruke en maske spesielt utformet for å beskytte mot støv fra blymaling og damp.
- ◆ Ikke spis, drikk eller røyk der du arbeider.
- ◆ Kvitt deg med støvpartikler og annet avfall på en trygg og miljøvennlig måte.

### Andre personers sikkerhet

- ◆ Dette apparatet kan brukes av barn som er 8 år eller eldre samt av personer som har reduserte fysiske, sansesmessige eller mentale evner, eller som mangler erfaring og kunnskap, hvis de har tilsyn eller har fått veiledning i bruk av apparatet på en trygg måte og forstår farene som foreligger.
- ◆ Barn skal ikke leke med apparatet. Rengjøring og brukervedlikehold skal ikke utføres av barn uten tilsyn.

### Andre risikoer

Når verktøyet brukes, kan det oppstå ytterligere risikoer som kanskje ikke er beskrevet i de medfølgende sikkerhetsadvarslene. Disse risikoene kan bli forårsaket av feil bruk, langvarig bruk osv.

Selv om de relevante sikkerhetsbestemmelsene blir fulgt, og sikkerhetstiltakene blir gjennomført, kan visse gjenværende risikoer ikke unngås. Disse inkluderer:

- ◆ Personskader som forårsakes av berøring av en roterende/bevegelig del.
- ◆ Personskader som oppstår ved skifte av deler, blader eller tilbehør.
- ◆ Personskader som skyldes for lang tids bruk av verktøyet. Når du bruker et verktøy i lange perioder, må du sørge for å ta regelmessige pauser.
- ◆ Hørselskader.
- ◆ Helsefarer forårsaket av innånding av støv som utvikler seg når du bruker verktøyet (eksempel: arbeid med tre, spesielt eik, bøk og MDF.)

### Vibrasjon

Vibrasjonsemissionsverdien som er angitt under tekniske data og samsvarserklæring, er blitt målt i henhold til en standard testmetode som er angitt i EN62841, og kan brukes til å sammenligne et verktøy med et annet. Den oppgitte vibrasjonsemissionsverdien kan også brukes til en foreløpig vurdering av eksponering.

**Advarsel!** Vibrasjonsemissionsverdien under faktisk bruk av elektroverktøyet kan avvike fra den oppgitte verdien avhengig av måten verktøyet blir brukt på. Vibrasjonsnivået kan øke over nivået som er oppgitt.

Når det vurderes vibrasjonseksponering for å avgjøre hvilke sikkerhetstiltak som kreves ifølge 2002/44/EF, for å beskytte personer som bruker elektroverktøy regelmessig til

arbeidsformål, skal det, når vibrasjonseksponeringen anslås, tas hensyn til de faktiske bruksforholdene og måten verktøyet blir brukt på. Dette inkluderer å ta hensyn til alle deler av brukssyklusen, for eksempel når verktøyet er avslått, når det går på tomgang og når utløseren er trykket inn.

### Etiketter på verktøyet

Følgende advarselssymboler vises på verktøyet sammen med datokoden:



**Advarsel!** Brukeren må lese håndboken for å redusere risikoen for skade.

### Elektrisk sikkerhet



Denne laderen er dobbeltisolert. Jording er derfor ikke nødvendig. Kontroller alltid at nettspenningen er i overensstemmelse med spenningen på typeskiltet. Ikke skift ut laderen med et vanlig nettstøpsel.

- ◆ Hvis strømledningen blir skadet, må den byttes av produsenten eller et autorisert BLACK+DECKER-service-senter for å unngå fare.

### Egenskaper

Dette verktøyet har noen av eller alle disse funksjonene:

1. Strømbryter
2. Støvtugsugkopling
3. Bunnled
4. Spissholder
5. Slipeplatespiss
6. Fingerslipeplate
7. Profilslipeplate
8. Skrue
9. Slipeprofiler

I tillegg har dette verktøyet noe eller alt av dette tilbehøret:

Tilbehør	Anbefalt bruk
Grovt sandpapir	Rask fjerning av maling, lakk og rust
Middels grovt sandpapir	Fjerning av maling, lakk og rust
Fint sandpapir	Overflatesliping og polering
Ekstra fint sandpapir	Sliping mellom strøk
Slipespiss for detaljarbeid	Hjørner og vanskelig tilgjengelige steder
1 OT polerings-/strippegarn	Polering av metall, stripping av lakk og glassrengjøring
Grå skumpute	Påføre og fjerne poleringsmiddel



Tilbehør	Anbefalt bruk
Rød non-woven-pute	Kraftig skrubbing og rustfjerning
Grått slipepapir	Polering av plast
Konturslipeplater	Kurver og profiler

## Montering

**Advarsel!** Før monteringen, må du passe på at verktøyet er slått av og at kontakten er trukket ut.

### Montere slipepapir (fig. A & B)

- ◆ Fjern de to diamantformede spissene (10) fra slipepapiret (11).
- ◆ Hold verktøyet med slipeplaten vendt oppover.
- ◆ Plasser slipepapiret (11) på slipeplaten, og sørg for at hullene på papiret er på linje med hullene i platen.

Den diamantformede spissen (10) kan snus og kan skiftes når den er utslitt.

- ◆ Når fremre del av spissen er slitt, river du den av papiret, snur den, og trykker den fast på slipeplaten igjen.
- ◆ Når hele spissen er slitt, fjerner du den fra slipeplaten og setter på en ny spiss.
- ◆ Poleringsskummummi (14) kan monteres på samme måte som sandpapiret.

### Spissen på slipeplaten (fig. C)

Når spissen på slipeplaten (5) eller spissholderen (4) er utslitt, kan den snus eller byttes. Reservedeler er tilgjengelig fra din BLACK+DECKER-forhandler.

- ◆ Fjern skruen (8).
- ◆ Snu eller bytt ut den slitte delen.
- ◆ Sett på og stram skruen.

### Fingerslipeplate (fig. D)

Fingerslipeplaten brukes til sliping på steder som er vanskelig å komme til.

- ◆ Fjern skruen (8).
- ◆ Fjern den diamantformede spissholderen (4) fra slipeplaten.
- ◆ Monter fingerslipeplaten (6) på slipeplaten.
- ◆ Sett på og stram skruen.
- ◆ Monter egnet sandpapir (12) på fingerslipeplaten.

### Profilslipeplate (kun KA160K/KA161K) (fig. E)

Profilslipeplaten brukes til kontursliping.

- ◆ Fjern skruen (8).
- ◆ Fjern den diamantformede spissholderen (4) fra slipeplaten.
- ◆ Monter profilslipeplaten (7) på slipeplaten.
- ◆ Sett på og stram skruen.

### Sette på og ta av en slipeprofil (fig. F1 & F2)

- ◆ Velg den slipeprofilen som er best egnet for ditt bruk.
- ◆ Plasser den ene enden av slipeprofilen (9) inn i utsparingen på bakre ende av profilholderen (7).
- ◆ Skyv den andre enden av slipeprofilen helt inn til den klikker på plass.
- ◆ Du fjerner slipeprofilen ved å skyve den fremover og trekke bakre ende ut av profilholderen (fig. F2).

### Montere et sandpapir på en slipeprofil (fig. G)

- ◆ Juster slipepapiret (13) etter slipeprofilen (9).
- ◆ Trykk slipepapiret fast på slipeprofilen, og pass på at slipepapiret følger formen på profilen.

### Bruk

**Advarsel!** Ikke tildekk ventilasjonsåpningene når du bruker verktøyet. Hold verktøyet som vist i fig. H. Pass på at slipeplaten ligger flatt mot arbeidsemnet.

### Kople til en støvsuger (fig. I)

Verktøyet har en adapter for tilkopling til støvsuger ved sliping av tre. Gjør som følger for å kople verktøyet til en støvsuger:

**Advarsel!** Kontroller at verktøyet er slått av og koblet fra strømuttaket.

- ◆ Fest støvutsugskoplingen (2) på adapteren på baksiden av verktøyet.
- ◆ Kople slangen fra en egnet støvsuger til koplingen.

### Bruk

**Advarsel!** La verktøyet jobbe med sin egen hastighet. Ikke overbelast det.

### Start og stopp (fig. J)

**Advarsel!** Før du kople verktøyet til strømtilførselen må du kontrollere at det er slått av.

- ◆ Trykk på 'I' på strømbryteren (1) for å slå på verktøyet.
- ◆ Trykk på '0' på strømbryteren (1) for å slå av verktøyet.

### Tilbehør

Verktøyets bruksområde er avhengig av hvilket tilbehør du velger. Tilbehør fra BLACK+DECKER og Piranha er utformet i henhold til høye kvalitetsstandarder og er utformet for å gi optimal ytelse ved bruk sammen med ditt verktøy. Når du bruker dette tilbehøret, får du optimal ytelse fra ditt verktøy.

### Vedlikehold

Verktøyet ditt er konstruert for å være i drift over lengre tid med et minimum av vedlikehold. Det er avhengig av god vedlikehold og regelmessig rengjøring for å fungere som det skal til enhver tid.

**Advarsel!** Før alt vedlikehold må verktøyet slås av og kontakten trekkes ut.

- ◆ Rengjør ventileringsåpningene på verktøyet regelmessig med en myk børste eller en tørr klut.
- ◆ Rengjør motorhuset regelmessig med en fuktig klut. Ikke bruk slipende eller løsemiddelbaserte rengjøringsmidler.

## Miljøvern



Separat avfallshåndtering. Produkter og batterier merket med dette symbolet skal ikke kastes i vanlig husholdningsavfall.

Produkter og batterier inneholder materialer som kan gjenbrukes eller gjenvinnes for å redusere behovet for nye råmaterialer.

Vennligst lever elektrisk utstyr og batterier til gjenbruk i henhold til lokale regler. Mer informasjon finner du på [www.2helpU.com](http://www.2helpU.com)

## Tekniske data

		KA160, KA160K KA161, KA161K Type 1
Spenning	V <sub>AC</sub>	230
Inn-effekt	W	55
Hastighet ubelastet	min <sup>-1</sup>	11,000
Vekt	kg	0.8

Lydnivået, målt i henhold til EN 62841:	
L <sub>PA</sub> (Lydtrykk) 66 dB(A), usikkerhet (K) 3 dB(A)	
L <sub>WA</sub> (Lydeffekt) 79 dB(A), usikkerhet (K) 3 dB(A)	
Totalverdier, vibrasjon (triax vektorsum) bestemt ifølge EN 62841:	
Vibrasjonsverdi (a <sub>v</sub> ) 5.6 m/s <sup>2</sup> , usikkerhet (K) 1.5 m/s <sup>2</sup>	

## EU-samsvarserklæring MASKINDIREKTIVET



Beltepussemaskin Powerfile™ - KA160, KA160K KA161, KA161K

Black & Decker erklærer at disse produktene, som er beskrevet under "Tekniske data", er i samsvar med: EN62841-1:2015, EN62841-2-4:2014.

Disse produktene er også i samsvar med direktiv 2006/42/EC, 2014/30/EU og 2011/65/EU.

Hvis du ønsker mer informasjon, kan du kontakte Black & Decker på adressen under eller se baksiden av bruksanvisningen.

Undertegnede er ansvarlig for utarbeidelsen av den tekniske dokumentasjonen og gir denne erklæringen på vegne av Black & Decker.

A. Smith  
Technical Director  
Black & Decker Europe, 210 Bath Road, Slough,  
Berkshire, SL1 3YD  
Storbritannia  
28/02/2019

## Garanti

Black & Decker er trygg på kvaliteten av produktene sine og tilbyr en 24 måneders garanti fra kjøpsdato. Denne garantierklæringen kommer i tillegg til dine lovbestemte rettigheter og er ikke i konflikt med disse. Garantien er gyldig innen områdene tilhørende medlemslandene i den Europeiske Union (EU) og det Europeiske Frihandelsområdet (EFTA).

For å ta garantien i bruk må kravet være i samsvar med kjøpsbetingelsene fra Black & Decker og du må vise kjøpskvittering til forhandleren eller til et autorisert serviceverksted. Betingelsene for Black & Deckers 2 års garanti og adressen til din nærmeste autoriserte serviceverksted kan du finne på internett under [www.2helpU.com](http://www.2helpU.com), eller ved å kontakte ditt lokale Black & Decker kontor, adressen er angitt i denne bruksanvisningen.

Besøk våre nettsider på [www.blackanddecker.no](http://www.blackanddecker.no) for å registrere ditt nye Black & Decker-produkt og for å få informasjon om nye produkter og spesialtilbud.

## Tilsigtet brug

Din BLACK+DECKER KA160, KA160K KA161, KA161K-slibemaskine er designet til slibning af træ, metal, plastic og malede overflader. Værktøjet er kun beregnet til privat brug.

## Sikkerhedsinstruktioner

### Generelle sikkerhedsadvarsler vedrørende elværktøj



**Advarsel! Læs alle sikkerhedsadvarsler og alle instruktioner.** Hvis nedenstående advarsler og instruktioner ikke følges, er der risiko for elektrisk stød, brand og alvorlige kvæstelser.

**Gem alle advarsler og instruktioner for fremtidig reference.** Begrebet "elværktøj", der benyttes i nedenstående advarsler, henviser til netdrevet elværktøj (med netledning) eller batteridrevet elværktøj (uden netledning).

#### 1. Sikkerhed i arbejdsområdet

- Hold arbejdsområdet rent og ordentligt oplyst.** Rodede eller mørke områder giver anledning til ulykker.
- Brug ikke elværktøj i eksplosive omgivelser, f.eks. hvor der er brændbare væsker, gasser eller støv.** Elværktøj danner gnister, der kan antænde støv eller dampe.
- Hold børn og andre personer i nærheden på afstand, når der arbejdes med elværktøj.** Distractioner kan medføre, at du mister kontrollen.

#### 2. Elektricitet og sikkerhed

- Elværktøjets stik skal passe til kontakten. Stikket må aldrig modificeres på nogen måde. Undlad at bruge adapterstik sammen med jordforbundne elektrisk værktøj.** Umodificerede stik og dertil passende stikkontakter reducerer risikoen for elektrisk stød.
- Undgå kropskontakt med jordforbundne overflader som f.eks. rør, radiatorer, komfurer og køleskabe.** Der er øget risiko for elektrisk stød, hvis din krop er jordforbundet.
- Udsæt ikke elværktøj for regn, og brug det ikke, hvor omgivelserne er våde.** Hvis der trænger vand ind i et elektrisk værktøj, øges risikoen for elektrisk stød.
- Pas på, at ledningen ikke beskadiges. Brug aldrig ledningen til at bære, trække værktøjet eller trække det ud af stikkontakten. Hold ledningen borte fra varme, olie, skarpe kanter og bevægelige dele.** Beskadigede eller sammenfiltrede ledninger øger risikoen for elektrisk stød.
- Hvis elværktøj benyttes i det fri, skal der benyttes en forlængerledning, som er godkendt til udendørs brug.** Brug af en ledning, der er egnet til udendørs brug, reducerer risikoen for elektrisk stød.

- Brug en strømkilde med fejlstrømsrelæ, hvis det er nødvendigt at anvende elværktøj på fugtige steder.** Ved at benytte en fejlstrømsafbryder reduceres risikoen for elektrisk stød.

#### 3. Personssikkerhed

- Vær opmærksom på, hold øje med, hvad du laver, og brug elværktøjet fornuftigt. Betjen ikke værktøjet, hvis du er træt, påvirket af narkotika, alkohol eller medicin.** Et øjeblikvis uopmærksomhed under anvendelse af et elektrisk værktøj kan forårsage alvorlige kvæstelser.
  - Brug personligt beskyttelsesudstyr. Bær altid beskyttelsesbriller.** Sikkerhedsudstyr, såsom støvmaske, skridsikre sikkerhedssko, sikkerhedshjelm eller hørevæm, brugt når omstændighederne foreskriver det, reducerer omfanget af personskader.
  - Træf forholdsregler, så utilsigtet start ikke er mulig. Kontrollér, at afbryderkontakten står på slukket, inden værktøjet tilsluttes strømkilden og/eller batteriet, samles op eller bæres.** Når elektrisk værktøj bæres med fingeren på kontakten eller tilsluttes, når kontakten er tændt, giver det anledning til ulykker.
  - Fjern indstillingsværktøj eller skruenøgle, inden elværktøjet startes.** En skruenøgle eller anden nøgle, der bliver siddende på en roterende del af elektrisk værktøj, kan give anledning til personskade.
  - Stræk dig ikke for langt. Hold hele tiden en god fodstilling og balance.** Dette udgør at du har bedre kontrol over det elektriske værktøj, når uventede situationer opstår.
  - Brug egnet arbejdstøj. Bær ikke løst tøj eller smykker. Hold dit hår, tøj og handsker væk fra bevægelige dele.** Løstsiddende tøj, smykker eller langt hår kan blive fanget i bevægelige dele.
  - Hvis der kan monteres støvudsugnings- og opsamlingsudstyr, skal dette tilsluttes og benyttes korrekt.** Anvendelse af støvopsamlingsudstyr kan begrænse farer forårsaget af støv.
  - Lad ikke kendskab fra hyppig brug af værktøjer gøre dig uforsigtig og få dig til at ignorere principperne for værktøjssikkerhed.** En uforsigtig handling kan forårsage alvorlig personskade på en brøkdal af et sekund.
- Brug og vedligeholdelse af elværktøj**
    - Overbelast ikke elværktøjet. Brug det værktøj, der er bedst egnet til det arbejde, der skal udføres.** Værktøjet vil klare opgaven bedre og mere sikkert med den ydelse, som det er beregnet til.
    - Brug ikke elværktøjet, hvis afbryderkontakten er defekt.** Alt elektrisk værktøj, der ikke kan kontrolleres med kontakten, er farligt og skal repareres.
    - Træk stikket ud af stikkontakten og/eller batteriet inden indstilling, tilbehørsudskiftning eller opbevaring**

af elværktøjet. Sådanne forebyggende sikkerhedsforanstaltninger mindsker risikoen for, at værktøjet startes utilsigtet.

- d. **Opbevar ubenyttet elværktøj uden for børns rækkevidde. Lad aldrig personer, der ikke er fortrolige med elværktøjet, eller som ikke har læst denne vejledning, benytte maskinen.** El-værktøj er farligt i hænderne på personer, som ikke er instrueret i brugen deraf.
- e. **Elværktøj skal vedligeholdes. Kontroller, om bevægelige dele er skæve og ikke sidder fast, og om delene er brækket eller beskadiget, så elværktøjets funktion påvirkes. Hvis det elektriske værktøj er beskadiget, skal det repareres før brug.** Mange ulykker er forårsaget af dårligt vedligeholdt værktøj.
- f. **Hold skæreværktøj skarpt og rent.** Ordentligt vedligeholdt skæreværktøj med skarpe skærekanter har mindre tilbøjelighed til at binde og er lettere at styre.
- g. **Brug elværktøjet, tilbehøret, indsatsværktøj osv. i overensstemmelse med disse instruktioner under hensyntagen til arbejdsforholdene og arbejdet, der skal udføres med værktøjet.** Brug af elektrisk værktøj til andre opgaver end dem, det er beregnet til, kan resultere i en farlig situation.
- h. **Hold håndtagene og håndtagsfladerne tørre, rene og fri for olie og fedt.**  
Glatte håndtag og gribeblader giver ikke en sikker håndtering og kontrol af værktøjet i uventede situationer.

## 5. Service

- a. **Lad kun kvalificerede fagfolk reparere elværktøjet, og benyt kun originale reservedele.** Derved sikres det, at værktøjets driftssikkerhed opretholdes.

## Yderligere sikkerhedsadvarsler for elværktøj



**Advarsel!** Yderligere sikkerhedsadvarsler for slibemaskiner



**Advarsel!** Kontakt med eller indånding af støvpartikler fra slibearbejde kan udgøre en fare for både brugerens og eventuelle omkringståendes helbred. Bær en specielt designet støvmaske til beskyttelse mod støv og røg, og sørg for, at personer, der befinder sig på eller kommer ind på arbejdsområdet, også er beskyttet.

- ◆ **Hold i elværktøjets isolerede håndtagsflader, hvis der er risiko for, at slibetilbehøret kommer i kontakt med skjulte ledninger.** Hvis tilbehøret rammer en strømførende ledning, bliver elværktøjets blottagte dele strømførende, så brugeren får støv.
- ◆ **Brug klemmer eller en anden praktisk måde på at sikre og understøtte arbejdsområdet til et stabilt underlag.** Hvis du holder fast i arbejdsområdet med din hånd

eller krop, vil det være ustabil, og det kan medføre, at du mister kontrollen over det.



**Advarsel!** Vær ekstra opmærksom ved slibning af nogle træsorter (fx bøg, eg) og metal, som kan frembringe giftigt støv. Bær en støvmaske, der er specielt designet til beskyttelse imod giftigt støv og røg og kontrollér, at personer, som opholder sig i eller kommer ind i arbejdsområdet, også er beskyttede.



**Advarsel!** Ved slibning af jernholdigt metal med dette værktøj skal der være god udluftning. Brug ikke værktøjet i nærheden af brændbare væsker, gasser eller støv. Gnister eller varme partikler fra slibningen eller lysbueomotorens kul kan antænde brændbare materialer.



**Advarsel!** Slib aldrig magnesiumholdige materialer! Der er risiko for brand eller eksplosioner.

- ◆ Fjern alt støv grundigt efter slibning.
- ◆ Den tilsigtede anvendelse er beskrevet i denne betjeningsvejledning. Brug af ekstraudstyr eller tilbehør eller udførelse af andre opgaver med dette værktøj end de, der anbefales i denne vejledning, kan medføre risiko for personskade og/eller materiel skade.

## Sikkerhed ved slibning af maling



**Advarsel!** Følg de relevante forskrifter for slibning af maling. Vær især opmærksom på følgende:

- ◆ Brug så vidt muligt en vakuumsenser til støvsopsamling.
- ◆ Vær specielt opmærksom ved slibning af maling, som er blybaseret og kan frembringe giftigt støv:
  - ◆ Børn og gravide kvinder må ikke betræde arbejdsområdet.
  - ◆ Alle personer, der betræder arbejdsområdet, skal bære en maske, der er specielt designet til beskyttelse mod blybaseret maling og røg.
  - ◆ Man må hverken spise, drikke eller ryge inden for arbejdsområdet.
- ◆ Støvpartikler og andet snavs, der kan fjernes, skal bortskaffes på en sikker måde.

## Andres sikkerhed

- ◆ Denne oplader kan bruges af børn i en alder fra 8 år og derover og personer med nedsatte fysiske, sensoriske eller mentale evner eller manglende erfaring og viden, hvis det sker under overvågning, eller de vejledes i brugen af apparatet på en sikker måde, og de forstår de farer, som er forbundet dermed.

- ◆ Børn må ikke lege med apparatet. Rengøring og brugervedligeholdelse må ikke foretages af børn uden opsyn.

### Tilbageværende risici

Der kan opstå yderligere, tilbageværende risici under brugen af apparatet, som muligvis ikke behandles i de vedlagte sikkerhedsadvarsler. Disse risici kan opstå pga. forkert anvendelse, langvarig brug etc.

Selv ved overholdelse af relevante sikkerhedsforskrifter og anvendelse af sikkerhedsudstyr kan visse tilbageværende risici ikke undgås. Disse omfatter:

- ◆ Tilskadekomst forårsaget af berøring af roterende/bevægelige dele.
- ◆ Tilskadekomst forårsaget af udskiftning af dele, klinger eller tilbehør.
- ◆ Tilskadekomst forårsaget af langvarig brug af et værktøj. Husk at holde pause jævnligt ved brug af et apparat i længere tid.
- ◆ Hørenedsættelse.
- ◆ Sundhedsrisici forårsaget af indånding af støv, der genereres ved brug af værktøjet (eksempel: arbejde med træ, især, eg, bøg og MDF.)

### Vibration

De angivne værdier for udsendelse af vibration anført under de tekniske data og overensstemmelseserklæringen er målt i henhold til standardtestmetoden i EN62841 og kan bruges til at sammenligne ét værktøj med et andet. Den angivne vibrationsemissionsværdi kan også bruges som en foreløbig vurdering af eksponeringen.

**Advarsel!** Værdien for vibrationsemission ved faktisk brug af elværktøjet kan afvige fra den angivne værdi afhængig af måden, værktøjet anvendes på. Vibrationsniveauet kan overstige det angivne niveau.

I vurderingen af eksponeringen for vibration med henblik på fastsættelse af sikkerhedsforanstaltninger som krævet i 2002/44/EF til beskyttelse af personer, der jævnligt anvender elværktøj i deres arbejde, skal der tages hensyn til de faktiske betingelser under brugen, og måden værktøjet bruges på, herunder alle arbejdsrytters elementer, f.eks. perioder, hvor værktøjet er slukket, og hvor det kører i tomgang, tillige med startperioderne.

### Mærkatet på værktøjet

Værktøjet er forsynet med følgende advarselssymboler samt datokoden:



**Advarsel!** Brugeren skal læse brugervejledningen for at reducere risikoen for skader.

### Elektricitet og sikkerhed



Opladeren er dobbelt isoleret. Derfor er en jordledning ikke nødvendig. Kontroller altid, at netspændingen svarer til spændingen på typeskiltet. Forsøg aldrig at erstatte opladerenheden med et almindeligt netstik.

- ◆ Hvis netledningen beskadiges, skal den udskiftes af producenten eller et autoriseret BLACK+DECKER-værksted, så farlige situationer undgås.

### Funktioner

Dette værktøj har nogle af - eller alle følgende funktioner:

1. Afbryder
2. Støvdugningskontakt
3. Grundplade
4. Spidholder
5. Slibgrundpladespids
6. Fingertilbehør
7. Profiltilbehør
8. Skrue
9. Slibeprofiler

Desuden leveres dette værktøj med noget af følgende tilbehør eller det hele:

Tilbehør	Anbefalet anvendelse og brug
Grovkornet sandpapir	Hurtiglak, fernis og rustfjerner
Mediumkornet sandpapir	Lak, fernis og rustfjerner
Finkornet sandpapir	Overfladeblanding og -finish
Ekstra finkornet sandpapir	Slibning mellem flader
Detaljeslibningsspids	Hjørner og svært tilgængelige steder
1 OT polerings- og pudsepude	Polering af metal, fernisfjernelse og glasrensning
Grå pude af skumplast	Påføring og fjernelse af pudsemiddel
Rød uvævet pude	Kraftig skrubning og rustfjernelse
Gråt slibepapir	Polering af plastik
Konturtilbehør	Kurver og profiler

### Montering

**Advarsel!** Før montering skal man sikre sig, at værktøjet er slukket og taget ud af stikkontakten.

### Påsætning af slibepapir (fig. A & B)

- ◆ Tag de to diamantformede spidser (10) af slibepapiret (11).

- ◆ Hold værktøjet med slibgrundfladen vendende opad.
- ◆ Placer slibepapiret (11) på slibgrundpladen, og sørg for, at hullerne i papiret passer sammen med hullerne i grundpladen.

Den diamantformede spids (10) kan vendes om og sættes fast igen, når den er blevet slidt.

- ◆ Når den forreste del af spidsen er slidt, løsnes den fra papiret, vendes og trykkes fast på slibgrundpladen igen.
- ◆ Når hele spidsen er slidt, fjernes den fra slibgrundpladen, og der monteres en ny spids.
- ◆ Polerepuden af skumplast og puderne (14) kan monteres på samme måde som slibepapiret.

### Slibgrundpladens spids (fig. C)

Når slibgrundpladens spids (5) eller spidsholder (4) er slidt, kan den vendes eller udskiftes. Reservedele fås hos din BLACK+DECKER forhandler.

- ◆ Fjern skruen (8).
- ◆ Vend eller udskift den slidte del.
- ◆ Sæt skruen i og stram den.

### Fingertilbehør (fig. D)

Fingertilbehøret bruges til fin detaljeslibning.

- ◆ Fjern skruen (8).
- ◆ Fjern den diamantformede spidsholder (4) fra slibgrundpladen.
- ◆ Fastgør fingertilbehøret (6) på slibgrundpladen.
- ◆ Sæt skruen i og stram den.
- ◆ Monter et passende slibepapir (12) på fingertilbehøret.

### Profiltilbehør (kun KA160K/KA161K) (fig. E)

Profiltilbehøret bruges til konturslibning.

- ◆ Fjern skruen (8).
- ◆ Fjern den diamantformede spidsholder (4) fra slibgrundpladen.
- ◆ Fastgør profiltilbehøret (7) på slibgrundpladen.
- ◆ Sæt skruen i og stram den.

### På- og afmontering af slibeprofilen (fig. F1 & F2)

- ◆ Vælg den slibeprofil, der passer bedst til din opgave.
- ◆ Placér den ene ende af slibeprofilen (9) i indskæringen i den forreste ende af profilholderen (7).
- ◆ Tryk på den anden ende af slibeprofilen, til den klikker på plads.
- ◆ Fjern slibeprofilen ved at trykke den frem og trække bagenden ud af profilholderen (fig. F2).

### Påsætning af et slibepapir på en slibeprofil (fig. G)

- ◆ Justér slibepapiret (13) efter slibeprofilen (9).
- ◆ Tryk slibepapiret ned på slibeprofilen, og sørg for, at slibepapiret følger profilens form.

### Brug

**Advarsel!** Dæk ikke ventilationshullerne, mens værktøjet er i brug. Hold værktøjet som vist i fig. H. Sørg for, at slibgrundpladen ligger fladt på arbejdsstykket.

### Tilslutning af en støvsuger (fig. I)

Værktøjet har en adapter til tilslutning til en støvsuger, når man sliber træ. Værktøjet sluttes til en støvsuger på følgende måde:

**Advarsel!** Man skal sikre sig, at værktøjet er slukket og taget ud af stikkontakten.

- ◆ Anbring støvudsugningsadapteren (2) på adapteren på bagsiden af værktøjet.
- ◆ Slut slangen på en velegnet støvsuger til kontakten.

### Anvendelse

**Advarsel!** Lad værktøjet arbejde i dets eget tempo.

Det må ikke overbelastes.

### Start og stop (fig. J)

**Advarsel!** Før værktøjet sluttes til strømforsyningen skal man sørge for, at det er slukket.

- ◆ For at tænde værktøjet skal man trykke på den del af afbryderen (1), der er markeret 'I'.
- ◆ For at slukke værktøjet skal man trykke på den del af afbryderen (1), der er markeret '0'.

### Tilbehør

Værktøjets ydeevne afhænger af, hvilket tilbehør der bruges. BLACK+DECKER og Piranha tilbehør er konstrueret, så det opfylder høje kvalitetsstandarder, og det er beregnet til at forbedre værktøjets ydeevne. Bruger du dette tilbehør, vil du få det allerbedste ud af værktøjet.

### Vedligeholdelse

Værktøjet er beregnet til at være i drift gennem en længere periode med minimal vedligeholdelse. Fortsat tilfredsstillende drift afhænger af korrekt behandling af værktøjet samt regelmæssig rengøring.

**Advarsel!** Før udførelse af vedligeholdelsesarbejde skal værktøjet slukkes og tages ud af stikkontakten.

- ◆ Man skal regelmæssigt rengøre værktøjets ventilationshuller med en blød børste eller en tør klud.
- ◆ Man skal regelmæssigt gøre motorhuset rent med en fugtig klud. Man må ikke bruge slibemidler eller opløsningsmidler.

## Miljøbeskyttelse



Særskilt bortskaffelse. Produkter og batterier mærket med dette symbol må ikke bortskaffes sammen med normalt husholdningsaffald.

Produkter og batterier indeholder materialer, der kan genvindes eller genbruges og således reducere efterspørgslen efter råvarer.

Genbrug venligst elektriske produkter og batterier i henhold til lokale bestemmelser. Yderligere oplysninger findes på [www.2helpU.com](http://www.2helpU.com)

## Tekniske data

		KA160, KA160K KA161, KA161K Type 1
Spænding	$V_{ac}$	230
Motoreffekt	W	55
Ubelastet hastighed	$\text{min}^{-1}$	11,000
Vægt	kg	0.8

### Lydniveauet i henhold til EN 62841:

$L_{pA}$  (Lydtryk) 66 dB(A), usikkerhed (K) 3 dB(A)

$L_{WA}$  (Lydintensitet) 79 dB(A), usikkerhed (K) 3 dB(A)

### Vibrationernes totale værdi (triax vector sum) i henhold til EN 62841:

Vibrationsemissionsværdi ( $a_w$ ) 5.6  $\text{m/s}^2$ , usikkerhed (K) 1.5  $\text{m/s}^2$

## EU-overensstemmelseserklæring

MASKINDIREKTIV



Slibemaskine - KA160, KA160K KA161, KA161K

Black & Decker erklærer, at produkterne beskrevet under "Tekniske data" er i overensstemmelse med: EN62841-1:2015, EN62841-2-4:2014.

Disse produkter er endvidere i overensstemmelse med direktiv 2006/42/EC, 2014/30/EU og 2011/65/EU.

Kontakt Black & Decker på nedenstående adresse eller se vejledningens bagside for at få yderligere oplysninger.

Undertegnede er ansvarlig for udarbejdelsen af de tekniske data og fremsætter denne erklæring på vegne af Black & Decker.

A. Smith  
Technical Director  
Black & Decker Europe, 210 Bath Road, Slough,  
Berkshire, SL1 3YD  
Storbritannien  
28/02/2019

## Garanti

Black & Decker er sikker på kvaliteten af sine produkter og tilbyder forbrugerne en garanti på 24 måneder fra købsdatoen. Garantien er et tillæg til forbrugerens lovmæssige rettigheder og påvirker ikke disse. Garantien er gyldig inden for medlemsstaterne af Den Europæiske Union og Det Europæiske Frihandelsområde.

Når du gør krav på garantien, skal kravet være i overensstemmelse med Black & Decker vilkår og betingelser, og du skal indsende dokumentation for købet til sælgeren eller til en autoriseret reparatør. Vilkår og betingelser for Black & Decker 2 års garanti og placeringen af dit nærmeste autoriserede serviceværksted kan fås på internettet på [www.2helpU.com](http://www.2helpU.com), eller ved at kontakte dit lokale Black & Decker kontor på den adresse, der er angivet i denne vejledning.

Besøg venligst vores websted [www.blackanddecker.co.uk](http://www.blackanddecker.co.uk) for at registrere dit nye Black & Decker produkt og modtage opdateringer om nye produkter og specielle tilbud.

## Käyttötarkoitus

BLACK+DECKER KA160, KA160K KA161, KA161K -hiomakone on tarkoitettu puun, metallin, muovien ja maalipintojen hiomiseen. Tämä työkalu on tarkoitettu vain yksityiskäyttöön.

## Turvallisuusohjeet

### Sähkötyökalujen yleiset turvavaroitukset



**Varoitus! Lue kaikki turvallisuusvaroitukset ja ohjeet.** Alla olevien varoitusten ja ohjeiden noudattamisen laiminlyönti saattaa johtaa sähköiskuun, tulipalloon ja/tai vakavaan loukkaantumiseen.

### Säästä kaikki varoitukset ja ohjeet tulevaa käyttöä varten.

Ohjeissa käytetty käsite "sähkötyökalu" tarkoittaa verkkoikäyttöisiä sähkötyökaluja (verkkojohdolla varustettuja) ja akkukäyttöisiä sähkötyökaluja (ilman verkkojohtoa).

#### 1. Työalueen turvallisuus

- Pidä työalue puhtaana ja varmista sen hyvä valaistus.** Onnettomuuksia sattuu herkemmin epäsiistissä tai huonosti valaistussa ympäristössä.
- Älä käytä sähkötyökalua räjähdysalttiissa ympäristössä, jossa on syttyvää nestettä, kaasua tai pölyä.** Sähkötyökalujen aiheuttamat kipinät voivat sytyttää pölyn tai kaasut.
- Pidä lapset ja sivulliset loitolla sähkötyökalua käyttäessäsi.** Keskittymiskyvyn herpaantuminen voi aiheuttaa hallinnan menettämisen.

#### 2. Sähköturvallisuus

- Sähkötyökalun pistokkeen on sovitava pistorasiaan. Älä koskaan tee pistokkeeseen mitään muutoksia. Älä yhdistä maadoitettua sähkötyökalua jatkojohtoon.** Sähköiskun vaara vähenee, jos pistokkeisiin ei tehdä muutoksia ja ne yhdistetään vain niille tarkoitettuihin pistorasioihin.
- Vältä koskettamasta maadoitettuja pintoja, kuten putkia, lämpöpattereita, liesiä tai jääkaappeja.** Voit saada sähköiskun, jos kehosi on maadoitettu.
- Älä altista sähkötyökalua sateelle tai kosteudelle.** Sähkötyökaluun menevä vesi lisää sähköiskun vaaraa.
- Älä käsittele virtajohtoa kovakouraisesti. Älä kannata työkaluja sähköjohdosta tai vedä pistoketta pistorasiasta sähköjohdon avulla. Pidä sähköjohto kaukana kuumuudesta, öljystä, terävistä reunoista tai liikkuvista osista.** Vaurioituneet tai sotkeutuneet johdot lisäävät sähköiskun vaaraa.
- Käyttäessäsi sähkötyökalua ulkona käytä ainoastaan ulkokäyttöön soveltuvaa jatkojohtoa.** Ulkokäyttöön tarkoitettu sähköjohdon käyttäminen vähentää sähköiskun vaaraa.

- Jos sähkötyökalua on välttämättä käytettävä kosteassa paikassa, käytä vikavirtasuojalla (RCD) suojattua virtalähdettä.** Tämä vähentää sähköiskun vaaraa.

#### 3. Henkilöturvallisuus

- Ole valpas, keskity työhön ja noudata tervettä järkeä sähkötyökalun käytössä. Älä käytä tätä työkalua ollessasi väsynyt tai alkoholin, huumeiden tai lääkkeiden vaikutuksen alaisena.** Keskittymisen herpaantuminen hetkeksikin sähkötyökalua käytettäessä voi aiheuttaa vakavan henkilövahingon.
- Käytä henkilökohtaisia suojavarusteita. Käytä aina suojalaseja.** Hengityssuojaimen, liukumattomien turvajalkineiden, kypärän ja kuulosuojaimen käyttäminen vähentää henkilövahinkojen vaaraa.
- Vältä tahatonta käynnistämistä. Varmista, että kytkin on OFF-asennossa, ennen kuin liität laitteen virtalähteeseen ja/tai akkuun, nostat laitteen tai kannat sitä.** Sähkötyökalun kantaminen sormi virtakytkimellä lisää onnettomuusvaaraa.
- Irrota mahdollinen säätö- tai kiintoavain ennen kuin käynnistät sähkötyökalun.** Sähkötyökalun pyöriivään osaan kiinni jäänyt avain voi johtaa loukkaantumiseen.
- Älä kurkota. Huolehdi siitä, että sinulla on koko ajan tukeva jalansija ja hyvä tasapaino.** Näin voit hallita sähkötyökalua paremmin odottamattomissa tilanteissa.
- Käytä tarkoitukseen soveltuvia vaatteita. Älä käytä löysiä vaatteita tai koruja. Pidä hiukset, vaatteet ja kädet loitolla liikkuvista osista.** Löysät vaatteet, korut tai pitkät hiukset voivat tarttua liikkuviin osiin.
- Jos työkalun voi liittää pölynimuriin, tarkista, että liitos on tehty asianmukaisesti ja että laitteita käytetään oikealla tavalla.** Pölyn ottaminen talteen voi vähentää pölyn aiheuttamia vaaroja.
- Vaikka käyttäisit usein työkaluja ja sinulla olisi niistä hyvä tuntemus, älä jätä lukematta työkalun turvallisuusohjeita.** Huolimattomuus voi johtaa vakaviin henkilövahinkoihin jopa sekunnin murto-osassa.

#### 4. Sähkötyökalujen käyttö ja hoito

- Älä ylikuormita sähkötyökalua. Valitse käyttötarkoituksen kannalta oikea sähkötyökalu.** Sähkötyökalu toimii paremmin ja turvallisemmin, kun sitä käytetään sille suunniteltuun käyttötarkoitukseen.
- Älä käytä sähkötyökalua, jota ei voida käynnistää ja pysäyttää virtakytkimestä.** Jos sähkötyökalua ei voi hallita kytkimen avulla, se on vaarallinen ja se on korjattava.
- Irrota pistotulppa pistorasiasta ja/tai akku laitteesta ennen kuin suoritat säätöjä, vaihdat tarvikkeita tai siirät sähkötyökalun varastoitavaksi.** Näin voit



vähentää vahingossa käynnistymisen aiheuttaman henkilövahingon vaaraa.

- d. Säilytä sähkötyökalut poissa lasten ulottuvilta, kun niitä ei käytetä. Älä anna sähkötyökalua sellaisen henkilön käyttöön, joka ei tunne sitä tai joka ei ole tutustunut tähän käyttöohjeeseen. Sähkötyökalut ovat vaarallisia kouluttamattomien käyttäjien käsissä.
- e. Hoida sähkötyökalusi huolella. Tarkista, että liikkuvat osat toimivat moitteettomasti ja etteivät ne ole puristuksessa. Tarkista myös, ettei työkalussa ei ole murtuneita tai vahingoittuneita osia, jotka saattaisivat vaikuttaa haitallisesti sen toimintaan. Jos havaitset vaurioita, korjauta sähkötyökalu ennen niiden käyttämistä. Huonosti kunnossapidetyt sähkötyökalut aiheuttavat onnettomuuksia.
- f. Pidä leikkausterät terävinä ja puhtaina. Kunnossa pidettyjen leikkaavia teräviä reunoja sisältävien työkalut todennäköisyys jumiutua vähenee, ja niitä on helpompi hallita.
- g. Käytä sähkötyökaluja, tarvikkeita, vaihtoteriä yms. näiden ohjeiden mukaisesti. Ota tällöin huomioon työolosuhteet ja suoritettava toimenpide. Jos sähkötyökalua käytetään näiden ohjeiden vastaisesti, voi syntyä vaaratilanne.
- h. Pidä kahvat ja kädensijat kuivina ja puhtaina öljystä ja rasvasta. Liukkaat kahvat ja kädensijat estävät työkalun turvallisen käsittelyn ja hallinnan odottamattomissa tilanteissa.

## 5. Huolto

- a. Korjauta sähkötyökalu koulutetulla ja ammattitaitoisella henkilöllä ja hyväksy korjauksiin vain alkuperäisiä varaosia. Tämä varmistaa sähkötyökalun turvallisuuden.

## Sähkötyökalujen lisäturvavaroitukset



**Varoitus!** Lisäturvavaroitukset hiomakoneelle



**Varoitus!** Hiontatyöstä syntyvä pöly voi aiheuttaa terveyshaittoja käyttäjälle ja mahdollisille sivullisille. Käytä kasvosuojusta, joka on erityisesti tarkoitettu suojaamaan pölyltä ja höyryiltä, ja varmista, että kaikki työskentelyalueella olevat ja sinne tulevat henkilöt käyttävät suojavarusteita.

- ◆ Pitele sähkötyökalua eristetyistä tartuntapinnoista, kun teet työtä, jossa hionnissa voi joutua kosketuksiin piilossa olevien sähköjohtojen kanssa. Lisätarvikkeen kosketus jännitteisen johtimen kanssa voi tehdä myös työkalun paljaista metalliosista jännitteisiä ja aiheuttaa sähköiskun käyttäjälle.

- ◆ **Käytä puristimia tai muuta käytännöllistä tapaa kiinnittää ja tukea työkalua tukevalle alustalle.** Työn pitäminen käsin tai vartaloa vasten on epävakaata ja saattaa johtaa kontrollin menetykseen.



**Varoitus!** Ole erityisen huolellinen, kun hiot joitakin puumateriaaleja (esim. pyökki, tammi) ja metallia, koska se saattaa tuottaa myrkyllistä pölyä. Pidä erityisesti myrkyllisiä pölyjä ja huujuja vastaan suunniteltua hengityssuojainta ja varmista, että työalueella työskentelevät ja työalueelle saapuvat ihmiset on myös suojattu.



**Varoitus!** Käytä työkalua paikassa, jossa on kunnollinen ilmanvaihto, kun hiot rautapitoisia metalleja. Älä käytä työkalua helposti syttyvien nesteiden, kaasujen tai pölyn läheisyydessä. Hionnassa syntyvät kipinät tai kuumat hiukkaset sekä moottorissa syntyvät kipinät voivat sytyttää helposti syttyvän materiaalin.



**Varoitus!** Älä hio magnesiumia. Se saattaa aiheuttaa tulipalon tai räjähdysvaaran.

- ◆ Poista pöly huolellisesti hiomisen jälkeen.
- ◆ Tarkoitettu käyttö on kuvattu tässä käyttöohjeessa. Käytä työkalua ainoastaan sellaiseen työhön, johon se on tarkoitettu, ja käytä vain tässä käyttöohjeessa suositeltuja tarvikkeita ja lisälaitteita. Ohjeesta poikkeava käyttö voi aiheuttaa henkilö- ja/tai omaisuusvahinkoja.

## Maalin hiontaa koskevat turvaohjeet



**Varoitus!** Noudata maalin hiontaan soveltuvia säädöksiä. Huomioi erityisesti seuraavat:

- ◆ Käytä pölynimulaitetta aina, kun se on mahdollista.
- ◆ Ole erityisen varovainen hioessasi liijyitä mahdollisesti sisältäviä maalipintoja, joista voi irrota myrkyllistä hio-mapölyä:
  - ◆ Älä päästä lapsia tai raskaana olevia naisia työalueelle.
  - ◆ Kaikkien työalueelle tulevien henkilöiden on käytettävä kasvosuojusta, joka on erityisesti tarkoitettu suojaamaan liijyypitoisen maalin tuottamalta pölyltä ja kaasulta.
    - ◆ Älä syö, juo tai tupakoi työalueella.
  - ◆ Hävitä pöly ja muu hiontajäte ympäristöstävällisesti.

## Muiden henkilöiden turvallisuus

- ◆ Tämä laturi soveltuu yli 8-vuotiaiden lasten ja sellaisten henkilöiden käyttöön, joilla on fyysisiä tai älyllisiä rajoitteita tai aistirajoitteita, kuten myös laitteen toimintaan perehtymättömien henkilöiden käyttöön, jos heitä valvotaan tai jos he ovat saaneet laitteen turvalliseen käyttöön liittyvää opastusta ja ymmärtävät laitteen käyttöön liittyvät vaarat.

- ◆ Älä anna lasten leikkiä laitteella. Puhdistus- ja huoltotöitä ei saa jättää lapsille ilman valvontaa.

- ◆ Jos virtajohto vahingoittuu, sen vaihtaminen on turvallisuussyistä jätettävä valmistajan tai valtuutetun BLACK+DECKER-huollon tehtäväksi.

### Muut riskit

Muut kuin turvavaroituksissa mainitut riskit ovat mahdollisia työkalua käytettäessä. Nämä riskit voivat liittyä muun muassa virheelliseen tai pitkäaikaiseen käyttöön.

Tiettyjä jäännösriskejä ei voi välttää, vaikka noudatat kaikkia turvamääräyksiä ja käytät turvalaitteita. Näitä ovat:

- ◆ Pyörivien tai liikkuvien osien koskettamisen aiheuttamat vahingot.
- ◆ Osia, teriä tai lisävarusteita vaihdettaessa aiheutuneet vahingot.
- ◆ Työkalun pitkäaikaisen käytön aiheuttamat vahingot. Varmista, että pidät säännöllisesti taukoja työkalun pitkäaikaisen käytön aikana.
- ◆ Kuulon heikkeneminen.
- ◆ Työkalua käytettäessä (esimerkiksi puuta, erityisesti tammea, pyökyä ja MDF-levyjä, käsiteltäessä) syntyneen pölyn sisäinhengityksen aiheuttamat terveysriskit.

### Tärinä

Teknisissä tiedoissa ja vaatimustenmukaisuusvakuutuksessa ilmoitettu tärinäpäästöarvo on mitattu EN62841-standardin testausmenetelmän mukaisesti, ja arvoa voi käyttää työkalujen keskinäiseen vertailuun. Ilmoitettua tärinäpäästöarvoa voi käyttää myös altistumisen alustavaan arviointiin.

**Varoitus!** Sähkötyökalun käytön aikana mitattu todellinen tärinäpäästöarvo voi poiketa ilmoitetusta tärinäpäästöarvosta työkalun käyttötavan mukaan. Tärinätasoa voi olla ilmoitettua tasoa suurempi.

Kun tärinälle altistumista arvioidaan sen määrittämiseksi, mitä direktiivin 2002/44/EY mukaisia turvatoimenpiteitä vaaditaan sähkötyökaluja säännöllisesti käyttävien henkilöiden suojelemiseksi, tärinälle altistumisen arvioinnissa on otettava huomioon todelliset käyttöolosuhteet ja työkalun käyttötavat. Todellisen käytön lisäksi on kiinnitettävä huomiota myös siihen, milloin työkalu on sammutettuna tai se käy tyhjäkäynnillä.

### Työkalun tarrat

Työkaluun on merkitty päivämääräkoodi sekä seuraavat varoitusmerkinnät:



**Varoitus!** Käyttäjän on luettava käyttöopas vahinkojen välttämiseksi.

### Sähköturvallisuus



Laturi on kaksoiseristetty, joten erillistä maadoitusta ei tarvita. Tarkista aina, että verkkokännite vastaa arvokilvessä ilmoitettua jännitettä. Älä yritä vaihtaa laturiin tavallista verkkovirran pistoketta.

### Ominaisuudet

Tällä koneella on kaikki tai joitakin seuraavista ominaisuuksista.

1. Virrankatkaisija
2. Pölynpoistoliitin
3. Jalusta
4. Kärjen pidike
5. Hioma-alustan kärki
6. Jatkokärki
7. Muotoilulisäosa
8. Ruuvi
9. Muotoilukärjet

Lisäksi tämä työkalu on varustettu joillakin tai kaikilla seuraavista lisälaitteista:

Lisälaitte	Suosittelut sovellus ja käyttö
Karkea hiomapaperi	Nopea maalin, lakan ja ruosteen poisto
Keskikarkea hiomapaperi	Maalin, lakan ja ruosteen poisto
Hieno hiomapaperi viimeistely	Pinnan hiominen ja
Erittäin hieno hiomapaperi	Maalikerrosten välinen hionta
Kärjet vaikeapääsyisten paikkojen hiomiseen	Nurkat ja vaikeapääsyiset paikat
1 OT kiillotus/kuorintatyökalu	Metallien kiillottamiseen, lakan kuorimiseen ja lasin puhdistukseen
Harmaa vaahtoalusta	Kiillotusaineen levittämiseen ja poistamiseen
Punainen ei-kudottu alusta	Perusteelliseen hankaamiseen ja ruosteen poistoon
Harmaa hankauspaperi	Muovien kiillottamiseen
Reunalisävaruste	Kaartuville pinnoille ja muodoille

### Kokoaminen

**Varoitus!** Ennen kokoamista varmista, että kone on pois päältä eikä sitä ole liitetty virtalähteeseen.

## Hiomapaperin kiinnittäminen (kuva A & B)

- ◆ Irrota kaksi irtokärkeä (10) hiomapaperista (11).
- ◆ Pidä koneesta kiinni siten, että hioma-alusta on ylöspäin.
- ◆ Paina hiomapaperi (11) hioma-alustaan varmistaen, että paperissa olevat reiät ovat kohdakkain hioma-alustassa olevien reikien kanssa.

Irtokärki (10) voidaan kääntää ja vaihtaa, kun se on kulunut.

- ◆ Kun kärjen etuosa on kulunut, irrota se paperista, käännä se ja paina kiinni hioma-alustaan.
- ◆ Kun koko kärki on kulunut, poista se ja laita tilalle uusi kärki.
- ◆ Kiillotusvaahto ja alustat (14) kiinnitetään samalla tavoin kuin hiomapaperit.

## Hioma-alustan kärki (kuva C)

Kun hioma-alustan kärki (5) tai kärjen pidike (4) on kulunut, se voidaan kääntää tai vaihtaa. Varaosia on saatavana BLACK+DECKER -jälleenmyyjältä.

- ◆ Irrota ruuvi (8).
- ◆ Käännä tai vaihda kulunut osa.
- ◆ Laita ruuvi paikalleen ja kiristä se.

## Jatkokärki (kuva D)

Jatkokärjellä hiotaan vaikeapääsyisiä paikkoja.

- ◆ Irrota ruuvi (8).
- ◆ Irrota kärjen pidike (4) hioma-alustasta.
- ◆ Kiinnitä jatkokärki (6) hioma-alustaan.
- ◆ FLaita ruuvi paikalleen ja kiristä se.
- ◆ Kiinnitä sopiva hiomapaperi (12) jatkokärkeen.

## Muotoilulisäosa (ainoastaan KA160K/KA161K) (kuva E)

Muotoilulisäosaa käytetään reunaohjontaan.

- ◆ Irrota ruuvi (8).
- ◆ Irrota kärjen pidike (4) hioma-alustasta.
- ◆ Kiinnitä muotoilulisäosa (7) hioma-alustaan.
- ◆ Laita ruuvi paikalleen ja kiristä se.

## Muotoilukärjen asentaminen ja irrottaminen (kuva F1 & F2)

- ◆ Valitse parhaiten tarkoitukseen sopiva muotoilukärki.
- ◆ Aseta muotoilukärjen (9) toinen pää uraan, joka on muotoilupidikkeen (7) etuosassa.
- ◆ Työnä ja paina muotoilukärjen toista päätä, kunnes se napsahtaa paikalleen.
- ◆ Muotoilukärki irrotetaan työntämällä sitä eteenpäin ja vetämällä takapä ulos muotoilukärkitelineestä (kuva F2).

## Hiomapaperin asetus muotoilukärkeen (kuva G)

- ◆ Kohdista hiomapaperi (13) muotoilukärkeen (9).
- ◆ Paina hiomapaperi kiinni muotoilukärkeen ja varmista, että hiomapaperi noudattaa kärjen muotoa.

## Käyttö

**Varoitus!** Älä peitä ilma-aukkoja, kun käytät tätä konetta. Pitele konetta kuvan H osoittamalla tavalla. Varmista, että hioma-alusta on kokonaan työstökappaleen pinnalla.

## Imurin kytkeminen (kuva I)

Työkalussa on sovitin, johon imuri voidaan kytkeä puuta hiottaessa. Kytke imuri työkaluun seuraavasti:

**Varoitus!** Varmista, että kone on kytketty pois päältä ja pistoke irti virtalähteestä.

- ◆ Sovita pölynpoistoliitin (2) työkalun takana olevaan sovittimeen.
- ◆ Kytke sopivan imurin letku liittimeen.

## Käyttö

**Varoitus!** Anna koneen käydä omaan tahtiinsa. Älä ylikuormita sitä.

## Käynnistys ja pysäytys (kuva J)

**Varoitus!** Varmista, että kone on poissa päältä ennen kuin kytket sen virtalähteeseen.

- ◆ Käynnistä kone painamalla "I" virrankatkaisijassa (1).
- ◆ Sammuta kone painamalla "0" virrankatkaisijassa (1).

## Tarvikkeet

Koneen käyttöalue riippuu käytettävästä tarvikkeesta. BLACK+DECKER- ja Piranha -tarvikkeet ovat korkealaatuisia. Käyttämällä näitä tarvikkeita saat koneestasi irti parhaan mahdollisen.

## Huolto

Jiirisaha on suunniteltu toimimaan mahdollisimman pitkään mahdollisimman vähällä huollolla. Asianmukainen käyttö ja säännönmukainen puhdistus takaavat laitteen jatkuvan tyydyttävän toiminnan.

**Varoitus!** Ennen huoltoa ja puhdistusta tulee koneen olla pois päältä ja irti virtalähteestä.

- ◆ Puhdista työkalun ilma-aukot säännöllisesti pehmeällä harjalla tai kuivalla rievulla.
- ◆ Puhdista laitteen kuori säännöllisesti kostealla siivousliinalla. Älä koskaan käytä puhdistamiseen liuotainaineita tai syövyttäviä puhdistusaineita..

## Ympäristönsuojelu



Toimita tämä laite erillisrakerkseen. Tällä symbolilla merkityjä tuotteita ja akkuja ei saa hävittää tavallisen kotitalousjätteen mukana.

Tuotteissa ja akkuissa on materiaaleja, jotka voidaan ottaa talteen tai kierrättää uudelleen käyttöä varten.

Kierrätä sähkölaitteet ja akut paikallisten määräyksien mukaan. Lisätietoa on saatavilla osoitteessa [www.2helpU.com](http://www.2helpU.com)

## Tekniset tiedot

		KA160, KA160K KA161, KA161K Type 1
Jännite	V <sub>ac</sub>	230
Ottoteho	W	55
Kuormittamaton nopeus	min <sup>-1</sup>	11,000
Paino	kg	0.8

Äänenpainetaso mitattu n mukaisesti EN 62841:	
L <sub>pa</sub> (Äänenpaine)	66 dB(A), epävarmuus (K) 3 dB(A)
L <sub>wa</sub> (Akustinen teho)	79 dB(A), epävarmuus (K) 3 dB(A)
Tärinän kokonaisarvot (kolmiaks. vektorisumma) on määritetty seuraavan mukaisesti EN 62841:	
Tärinän päästöarvo (a <sub>w</sub> )	5.6 m/s <sup>2</sup> , epävarmuus (K) 1.5 m/s <sup>2</sup>

## EY-vaatimustenmukaisuusvakuutus KONEDIREKTIIVI



Hiomakone – KA160, KA160K KA161, KA161K

Black & Decker ilmoittaa, että tuotteet, jotka on kuvattu kohdassa Tekniset tiedot, täyttävät seuraavien direktiivien vaatimukset:

EN62841-1:2015, EN62841-2-4:2014.

Nämä tuotteet täyttävät myös direktiivien 2006/42/EY, 2014/30/EU ja 2011/65/EU vaatimukset.

Lisätietoja saa ottamalla yhteyden Black & Deckeriin seuraavassa osoitteessa. Tiedot ovat myös käyttöohjeen takakannessa.

Allekirjoittanut vastaa teknisten tietojen kokoamisesta tehden tämän ilmoituksen Black & Deckerin puolesta.

A. Smith

Technical Director

Black & Decker Europe, 210 Bath Road, Slough,  
Berkshire, SL1 3YD, Iso-Britannia  
28/02/2019

## Takuu

Black & Decker on vakuuttanut tuotteidensa korkeasta laadusta ja tarjoaa kuluttajille 24 kuukauden takuun, joka astuu voimaan ostopäivänä. Takuu on lisäys kuluttajan

laillisiin oikeuksiin eikä vaikuta niihin. Tämä takuu on voimassa kaikissa EU- ja ETA-maissa.

Edellytyksenä takuun saamiselle on, että vaade täyttää Black & Deckerin ehdot ja että ostaja toimittaa ostotositteen jälleenmyyjälle tai valtuutetulle huoltoliikkeelle. Black & Deckerin kahden vuoden takuun ehdot ja lähimmän valtuutetun korjauspalvelun yhteystiedot ovat saatavilla osoitteessa [www.2helpU.com](http://www.2helpU.com) tai ottamalla yhteyttä paikalliseen Black & Deckerin toimipisteeseen tässä ohjekirjassa ilmoitettuihin osoitteisiin.

Käy verkkosivuillemme osoitteessa [www.blackanddecker.fi](http://www.blackanddecker.fi) ja rekisteröi uusi Black & Decker -tuotteesi saadaksesi tietoa uusista tuotteista ja erikoistarjouksista.

## Προβλεπόμενη χρήση

Το τριβείο σας BLACK+DECKER KA160, KA160K KA161, KA161K έχει σχεδιαστεί για τη λείανση ξύλου, μετάλλου, πλαστικών και βαμμένων επιφανειών. Αυτό το εργαλείο προορίζεται μόνο για καταναλωτική χρήση.

## Οδηγίες ασφαλείας

### Γενικές προειδοποιήσεις ασφαλείας για ηλεκτρικά εργαλεία



**Προειδοποίηση! Διαβάστε όλες τις προειδοποιήσεις ασφαλείας και όλες τις οδηγίες.** Η μη τήρηση των παρακάτω προειδοποιήσεων και οδηγιών μπορεί να προκαλέσει ηλεκτροπληξία, πυρκαγιά και/ή σοβαρές σωματικές βλάβες.

**Φυλάξτε όλες τις προειδοποιήσεις και τις οδηγίες για μελλοντική αναφορά.** Ο όρος "ηλεκτρικό εργαλείο" που χρησιμοποιείται σε όλες τις παρακάτω προειδοποιήσεις, αναφέρεται είτε σε εργαλείο που λειτουργεί με ρεύμα δικτύου (ρεύματος - με καλώδιο) είτε σε εργαλείο που λειτουργεί με μπαταρία (μπαταρίας - χωρίς καλώδιο).

### 1. Ασφάλεια χώρου εργασίας

- Διατηρείτε το χώρο εργασίας καθαρό και καλά φωτισμένο.** Οι ατακτοποιητοί ή σκοτεινοί χώροι γίνονται αιτίες ατυχημάτων.
- Μη χρησιμοποιείτε ηλεκτρικά εργαλεία σε περιβάλλον όπου υπάρχει κίνδυνος έκρηξης, όπως με παρουσία εύφλεκτων υγρών, αερίων ή σκόνης.** Τα ηλεκτρικά εργαλεία παράγουν σπινθήρες που μπορεί να προκαλέσουν ανάφλεξη της σκόνης ή των αναθυμιάσεων.

- γ. Όταν χρησιμοποιείτε ηλεκτρικό εργαλείο, κρατάτε μακριά τα παιδιά και άλλα άτομα.** Παράγοντες που αποσπούν την προσοχή μπορεί να σας κάνουν να χάσετε τον έλεγχο.
- 2. Ασφαλής χρήση ηλεκτρικού ρεύματος**
- α. Το φως του καλωδίου του ηλεκτρικού εργαλείου πρέπει να ταίριαζει στην αντίστοιχη πρίζα. Σε καμία περίπτωση μην τροποποιήσετε το φως, με κανένα τρόπο. Μην χρησιμοποιείτε φως προσαρμογής με γειωμένα ηλεκτρικά εργαλεία.** Τα φως που δεν έχουν υποστεί τροποποιήσεις και οι κατάλληλες πρίζες μειώνουν τον κίνδυνο ηλεκτροπληξίας.
- β. Αποφεύγετε την επαφή του σώματός σας με γειωμένες επιφάνειες, όπως σωλήνες, καλοριφέρ, κουζίνες και ψυγεία.** Υπάρχει αυξημένος κίνδυνος ηλεκτροπληξίας αν το σώμα σας είναι γειωμένο.
- γ. Μην εκθέτετε τα ηλεκτρικά εργαλεία σε βροχή ή υγρασία.** Η διείσδυση νερού σε ένα ηλεκτρικό εργαλείο αυξάνει τον κίνδυνο ηλεκτροπληξίας.
- δ. Μην κακομεταχειρίζεστε το καλώδιο. Ποτέ μη χρησιμοποιείτε το καλώδιο για να μεταφέρετε το ηλεκτρικό εργαλείο, να το τραβήξετε ή να το αποσυνδέσετε από την πρίζα. Κρατάτε το καλώδιο μακριά από θερμότητα, λάδια, αιχμηρά άκρα ή κινούμενα μέρη.** Τα καλώδια που έχουν υποστεί ζημιά ή είναι μπλερωμένα αυξάνουν τον κίνδυνο ηλεκτροπληξίας.
- ε. Όταν χρησιμοποιείτε ηλεκτρικό εργαλείο σε εξωτερικούς χώρους, να χρησιμοποιείτε πάντοτε καλώδιο επέκτασης κατάλληλο για χρήση σε εξωτερικούς χώρους.** Η χρήση καλωδίου κατάλληλου για εργασία σε εξωτερικούς χώρους μειώνει τον κίνδυνο ηλεκτροπληξίας.
- στ. Εάν είναι αναπόφευκτη η χρήση ενός ηλεκτρικού εργαλείου σε συνθήκες υγρασίας, χρησιμοποιήστε μια διάταξη προστασίας από ρεύμα διαρροής (RCD).** Η χρήση μιας διάταξης RCD μειώνει τον κίνδυνο ηλεκτροπληξίας.
- 3. Προσωπική ασφάλεια**
- α. Όταν χρησιμοποιείτε ηλεκτρικό εργαλείο, να είστε σε εγρήγορση, να συγκεντρώνεστε στην εργασία που κάνετε και να επιστρατεύετε την κοινή λογική. Μην χρησιμοποιείτε ηλεκτρικό εργαλείο όταν είστε κουρασμένος/η υπό την επήρεια ναρκωτικών, οιοπονημιασμού ή φαρμακευτικής αγωγής.** Μια στιγμή απροσεξίας κατά τη χρήση ηλεκτρικών εργαλείων μπορεί να προκαλέσει σοβαρό τραυματισμό.
- β. Να χρησιμοποιείτε ατομικό εξοπλισμό προστασίας. Πάντα φοράτε προστασία ματιών.** Ο εξοπλισμός προστασίας, όπως μάσκα κατά της σκόνης, αντιολισθητικά παπούτσια ασφαλείας, κράνος ή προστασία ακοής, όταν χρησιμοποιείται για τις κατάλληλες συνθήκες, θα μειώσει τους τραυματισμούς και τις σωματικές βλάβες.
- γ. Αποτρέπετε την ακούσια ενεργοποίηση. Βεβαιωθείτε ότι ο διακόπτης βρίσκεται στη θέση απενεργοποίησης, πριν συνδέσετε το εργαλείο στην πηγή ρεύματος και/ή τοποθετήσετε το πακέτο μπαταρίας, καθώς και πριν πάρετε στα χέρια σας ή μεταφέρετε το εργαλείο.** Η μεταφορά ηλεκτρικών εργαλείων με το δάχτυλο πάνω στο διακόπτη ή η σύνδεση στο ρεύμα ηλεκτρικών εργαλείων με το διακόπτη στη θέση ενεργοποίησης, ενέχει κινδύνους ατυχημάτων.
- δ. Πριν θέσετε το ηλεκτρικό εργαλείο σε λειτουργία, αφαιρέστε τυχόν εργαλεία ή κλειδιά ρύθμισης.** Εάν αφήσετε ένα εργαλείο ή κλειδί πάνω σε κάποιο περιστρεφόμενο εξάρτημα του ηλεκτρικού εργαλείου, μπορεί να προκληθούν τραυματισμοί.
- ε. Μην τεντώνεστε. Διατηρείτε πάντα σταθερή στήριξη στα πόδια σας και καλή ισορροπία.** Έτσι μπορείτε να έχετε καλύτερο έλεγχο του ηλεκτρικού εργαλείου σε μη αναμενόμενες καταστάσεις.
- στ. Φοράτε κατάλληλη ενδυμασία εργασίας. Μη φοράτε φορδιά ρούχα ούτε κοσμήματα. Κρατάτε τα μαλλιά, τα ρούχα και τα γάντια σας μακριά από κινούμενα μέρη.** Τα χαλαρά ρούχα, τα κοσμήματα και τα μακριά μαλλιά μπορούν να πιαστούν σε κινούμενα μέρη.
- ζ. Αν παρέχονται διατάξεις για τη σύνδεση συστημάτων απομάκρυνσης και συλλογής της σκόνης, βεβαιωθείτε ότι αυτές είναι συνδεδεμένες και χρησιμοποιούνται κατάλληλα.** Η χρήση διατάξεων συλλογής της σκόνης μπορεί να μειώσει τους κινδύνους που προέρχονται από τη σκόνη.
- η. Μην αφήνετε την εξοικείωση που έχετε αποκτήσει από τη συχνή χρήση εργαλείων να σας επιτρέψει να εφησυχάσετε ώστε να αγνοείτε τις αρχές ασφαλούς χρήσης των εργαλείων. Μια απρόσεκτη ενέργεια μπορεί να προκαλέσει βαρύ τραυματισμό μέσα σε κλάσματα του δευτερολέπτου.**
- 4. Χρήση και φροντίδα ηλεκτρικών εργαλείων**
- α. Μην υπερφορτώνετε το ηλεκτρικό εργαλείο. Χρησιμοποιείτε το σωστό ηλεκτρικό εργαλείο για την εφαρμογή σας.** Το σωστό ηλεκτρικό εργαλείο θα εκτελέσει την εργασία καλύτερα και ασφαλέστερα, με την ένταση χρήσης για την οποία σχεδιάστηκε.
- β. Μην χρησιμοποιήσετε ηλεκτρικό εργαλείο αν ο διακόπτης του δεν μπορεί να το ενεργοποιεί και απενεργοποιεί.** Ένα ηλεκτρικό εργαλείο του οποίου η λειτουργία δεν μπορεί να ελεγχθεί με το διακόπτη είναι επικίνδυνο και πρέπει να επισκευαστεί.
- γ. Αποσυνδέστε το φως από την πηγή ρεύματος και/ή το πακέτο μπαταρίας από το ηλεκτρικό εργαλείο, πριν διεξάγετε οποιαδήποτε ρύθμιση, αλλαγή αξεσουάρ ή όταν πρόκειται να αποθηκεύσετε το ηλεκτρικό**

εργαλείο. Τέτοια προληπτικά μέτρα ασφαλείας μειώνουν το κίνδυνο αθέλητης εκκίνησης του ηλεκτρικού εργαλείου.

- δ. **Να φυλάσσετε μακριά από παιδιά τα ηλεκτρικά εργαλεία που δεν χρησιμοποιείτε. Μην αφήνετε να χρησιμοποιήσουν ηλεκτρικό εργαλείο άτομα που δεν είναι εξοικειωμένα με αυτό ή άτομα που δεν έχουν διαβάσει αυτές τις οδηγίες χρήσης.** Τα ηλεκτρικά εργαλεία είναι επικίνδυνα στα χέρια μη εκπαιδευμένων χρηστών.
- ε. **Να συντηρείτε τα ηλεκτρικά εργαλεία. Ελέγχετε για προβλήματα ευθυγράμμισης ή για μάγκωμα των κινούμενων εξαρτημάτων, θραύση εξαρτημάτων, καθώς και για οποιοδήποτε άλλο πρόβλημα μπορεί να επηρεάσει τη λειτουργία των ηλεκτρικών εργαλείων. Αν το ηλεκτρικό εργαλείο έχει υποστεί ζημιά, φροντίστε να επισκευαστεί πριν το χρησιμοποιήσετε.** Η ανεπαρκής συντήρηση των ηλεκτρικών εργαλείων αποτελεί αιτία πολλών ατυχημάτων.
- στ. **Διατηρείτε τα κοπτικά εργαλεία κοφτερά και καθαρά.** Τα κοπτικά εργαλεία με κοφτερές κοπτικές αιχμές που συντηρούνται σωστά έχουν λιγότερες πιθανότητες να μαγκώσουν και ελέγχονται ευκολότερα.
- ζ. **Να χρησιμοποιείτε το ηλεκτρικό εργαλείο, τα αξεσουάρ και τις μύτες των εργαλείων κλπ. σύμφωνα με τις παρούσες οδηγίες, λαμβάνοντας υπόψη σας τις συνθήκες εργασίας και την εργασία που θέλετε να εκτελέσετε.** Η χρήση του ηλεκτρικού εργαλείου για εργασίες διαφορετικές από τις προβλεπόμενες θα μπορούσε να οδηγήσει σε επικίνδυνη κατάσταση.
- η. **Διατηρείτε τις λαβές και τις επιφάνειες κρατήματος στεγνές, καθαρές και απαλλαγμένες από λάδι και γράσο.** Οι ολισθηρές λαβές και επιφάνειες κρατήματος δεν επιτρέπουν τον ασφαλή χειρισμό και έλεγχο του εργαλείου σε μη αναμενόμενες καταστάσεις.
5. **Σέρβις**
  - α. **Το σέρβις του ηλεκτρικού σας εργαλείου πρέπει να αναλαμβάνει έμπειρος τεχνικός που θα χρησιμοποιεί μόνο γνήσια ανταλλακτικά.** Έτσι θα εξασφαλίσετε τη διατήρηση της ασφάλειας του ηλεκτρικού εργαλείου.

## Πρόσθετες προειδοποιήσεις ασφαλείας για ηλεκτρικά εργαλεία



**Προειδοποίηση!** Πρόσθετες προειδοποιήσεις ασφαλείας για τριβεία



**Προειδοποίηση!** Η επαφή ή η εισπνοή της σκόνης που δημιουργούν οι εφαρμογές λείανσης μπορεί να ενέχουν κίνδυνο για την υγεία του χειριστή και των παρευρισκομένων. Φορέστε μάσκα σκόνης ειδικά σχεδιασμένη για προστασία από τη σκόνη και τις αναθυμιάσεις και βεβαιωθείτε ότι τα άτομα που βρίσκονται ή εισέρχονται στο χώρο εργασίας είναι επίσης προστατευμένα.

- ◆ **Κρατάτε το ηλεκτρικό εργαλείο από τις μονωμένες επιφάνειες συγκράτησης όταν εκτελείτε κάποια εργασία κατά την οποία το αξεσουάρ λείανσης μπορεί να έρθει σε επαφή με κρυμμένα καλώδια.** Αν το αξεσουάρ έρθει σε επαφή με καλώδιο υπό τάση μπορεί να τεθούν υπό ηλεκτρική τάση και τα εκτεθειμένα μεταλλικά μέρη του ηλεκτρικού εργαλείου και να προκληθεί ηλεκτροπληξία στο χειριστή.
- ◆ **Χρησιμοποιείτε σφιγκτήρες ή άλλο πρακτικό τρόπο για να στερεώνετε και να στηρίζετε το αντικείμενο εργασίας σε σταθερό υπόβαθρο.** Αν κρατάτε το τεμάχιο εργασίας με το χέρι σας ή κόντρα στο σώμα σας, αυτό δεν είναι σταθερό και μπορεί να προκληθεί απώλεια ελέγχου.



**Προειδοποίηση!** Προσέχετε ιδιαίτερα όταν λειάνετε ορισμένα ξύλα (π.χ. οξιά, δρυ) και μέταλλα που μπορούν να παράγουν τοξική σκόνη. Φοράτε μάσκα προστασίας από σκόνη ειδικά σχεδιασμένη για προστασία από τοξική σκόνη και αναθυμιάσεις και φροντίστε απαραίτητα να είναι προστατευμένα και τα άτομα που βρίσκονται ή εισέρχονται στην περιοχή εργασίας.



**Προειδοποίηση!** Χρησιμοποιήστε αυτό το εργαλείο σε καλά αεριζόμενο χώρο κατά τη λείανση σιδηρούχων μετάλλων. Μη χρησιμοποιείτε το εργαλείο κοντά σε εύφλεκτα υγρά, αέρια ή σκόνη. Σπινθήρες ή θερμά σωματίδια από τη λείανση ή από τις ψήκρες του μοτέρ μπορεί να προκαλέσουν ανάφλεξη καύσιμων υλικών.



**Προειδοποίηση!** Μην λειάνετε μαγνήσιο! Υπάρχει κίνδυνος πυρκαγιάς ή εκρήξεων.

- ◆ Μετά το γυαλοχάρτισμα, καθαρίστε καλά όλη τη σκόνη.
- ◆ Η προβλεπόμενη χρήση περιγράφεται στο παρόν εγχειρίδιο οδηγιών. Η χρήση οποιοδήποτε αξεσουάρ ή προσαρτήματος ή η εκτέλεση οποιασδήποτε εργασίας με αυτό το εργαλείο διαφορετικής από αυτές που συνιστώνται στο παρόν εγχειρίδιο οδηγιών ενδέχεται να εγκυμονεί κίνδυνο σωματικής βλάβης και/ή υλικών ζημιών.

## Ασφάλεια κατά τη λείανση χρωμάτων



**Προειδοποίηση!** Τηρείτε τους ισχύοντες κανονισμούς για τη λείανση χρωμάτων. Προσέχετε ιδιαίτερα τα εξής:

- ♦ Όταν είναι εφικτό, χρησιμοποιείτε για τη συλλογή της σκόνης μια διάταξη εξαγωγής σκόνης με αναρρόφηση.
- ♦ Να προσέχετε ιδιαίτερα κατά τη λείανση χρωμάτων, τα οποία ενδέχεται να έχουν ως βάση το μολύβδο και ενδέχεται να παράγουν τοξική σκόνη:
  - ♦ Μην αφήνετε παιδιά ή εγκύους να εισέρχονται στην περιοχή εργασίας.
  - ♦ Όλα τα άτομα που εισέρχονται στην περιοχή εργασίας θα πρέπει να φορούν μάσκα ειδικά σχεδιασμένη για προστασία από σκόνη και αναθυμιάσεις χρωμάτων μολύβδου.
  - ♦ Μην τρώτε, πίνετε ή καπνίζετε στο χώρο εργασίας.
  - ♦ Απορρίπτετε με ασφαλή τρόπο τα σωματίδια σκόνης και τυχόν άλλα υπολείμματα της εργασίας αφαίρεσης χρώματος.

## Ασφάλεια τρίτων

- ♦ Αυτός ο φορτιστής μπορεί να χρησιμοποιηθεί από παιδιά ηλικίας 8 ετών και άνω καθώς και από άτομα με μειωμένες σωματικές, αντιληπτικές ή διανοητικές ικανότητες ή από άτομα χωρίς εμπειρία και γνώσεις, μόνο εφόσον αυτά επιτηρούνται ή τους έχουν δοθεί οδηγίες σχετικά με την ασφαλή χρήση της συσκευής και έχουν κατανοήσει τους πιθανούς κινδύνους.
- ♦ Τα παιδιά δεν πρέπει να παίζουν με τη συσκευή. Ο καθαρισμός και η συντήρηση από το χρήστη δεν πρέπει να γίνονται από παιδιά χωρίς επίβλεψη.

## Υπολειπόμενοι κίνδυνοι.

Κατά τη χρήση του εργαλείου μπορεί να δημιουργηθούν πρόσθετοι υπολειπόμενοι κίνδυνοι, οι οποίοι ενδέχεται να μη συμπεριλαμβάνονται στις προειδοποιήσεις ασφαλείας που εσωκλείονται. Αυτοί οι κίνδυνοι μπορεί να προκληθούν από κακή χρήση, παρατεταμένη χρήση κλπ. Παρά την εφαρμογή των σχετικών κανονισμών ασφαλείας και τη χρήση διατάξεων ασφαλείας, ορισμένοι υπολειπόμενοι κίνδυνοι δεν είναι δυνατό να αποφευχθούν. Αυτοί περιλαμβάνουν:

- ♦ Τραυματισμοί από επαφή με περιστρεφόμενα/κινούμενα μέρη.
- ♦ Τραυματισμοί κατά την αλλαγή οποιωνδήποτε εξαρτημάτων, λαμών ή αξεσουάρ.
- ♦ Σωματικές βλάβες από παρατεταμένη χρήση του εργαλείου. Όταν χρησιμοποιείτε οποιοδήποτε εργαλείο για παρατεταμένα χρονικά διαστήματα, μην παραλείπετε με κανένα τρόπο να κάνετε τακτικά διαλείμματα.
- ♦ Βλάβη της ακοής.

- ♦ Κίνδυνοι για την υγεία λόγω εισπνοής σκόνης που αναπτύσσεται κατά τη χρήση του εργαλείου σας (παράδειγμα: εργασία με ξύλο, ειδικά βελανιδιά, οξιά και MDF.)

## Κραδασμοί

Η δηλωμένη τιμή εκπομπής κραδασμών που αναφέρεται στα τεχνικά χαρακτηριστικά και τη δήλωση συμμόρφωσης έχει μετρηθεί σύμφωνα με τυποποιημένη μέθοδο δοκιμής που προβλέπεται από το πρότυπο EN62841 και μπορεί να χρησιμοποιηθεί για τη σύγκριση ενός εργαλείου με ένα άλλο. Η δηλωμένη τιμή εκπομπής κραδασμών μπορεί επίσης να χρησιμοποιηθεί σε έναν προκαταρκτικό προσδιορισμό της έκθεσης σε κραδασμούς.

**Προειδοποίηση!** Στην πράξη, η τιμή εκπομπής κραδασμών κατά την χρήση του ηλεκτρικού εργαλείου μπορεί να διαφέρει από την τιμή που δηλώθηκε, ανάλογα με τον τρόπο που χρησιμοποιείται το εργαλείο. Το επίπεδο κραδασμών μπορεί να αυξηθεί πάνω από το επίπεδο που έχει δηλωθεί.

Κατά τον προσδιορισμό της έκθεσης σε κραδασμούς για τον καθορισμό των απαιτούμενων μέτρων ασφαλείας σύμφωνα με την οδηγία 2002/44/ΕΚ για την προστασία προσώπων που χρησιμοποιούν συχνά ηλεκτρικά εργαλεία στην εργασία τους, μια προσεγγιστική εκτίμηση της έκθεσης σε κραδασμούς πρέπει να λαμβάνει υπόψη τις πραγματικές συνθήκες χρήσης και τον τρόπο χρήσης του εργαλείου, συμπεριλαμβανομένων και όλων των επιμέρους τμημάτων του κύκλου εργασίας, όπως τα χρονικά διαστήματα που το εργαλείο ήταν εκτός λειτουργίας και τα διαστήματα λειτουργίας χωρίς φορτίο, επιπλέον του χρόνου πίεσης της σκανδάλης.

## Ετικέτες πάνω στο εργαλείο

Το εργαλείο φέρει τα παρακάτω προειδοποιητικά σύμβολα μαζί με τον κωδικό ημερομηνίας:



**Προειδοποίηση!** Για να μειωθεί ο κίνδυνος τραυματισμού, ο χρήστης πρέπει να διαβάσει το εγχειρίδιο οδηγιών.

## Ασφαλής χρήση ηλεκτρικού ρεύματος



Ο φορτιστής σας φέρει διπλή μόνωση.

Επομένως, δεν απαιτείται αγωγός γείωσης. Ελέγχετε πάντα ότι η τάση ρεύματος δικτύου συμφωνεί με αυτήν που αναγράφεται στην πινακίδα τεχνικών χαρακτηριστικών. Ποτέ μην επιχειρήσετε να αντικαταστήσετε τη μονάδα φορτιστή με κανονικό φως ρεύματος δικτύου.

- ♦ Αν το καλώδιο ρεύματος έχει υποστεί ζημιά, πρέπει να αντικατασταθεί από τον κατασκευαστή ή εξουσιοδοτημένο κέντρο σέρβις BLACK+DECKER, για την αποφυγή κινδύνου.

## Χαρακτηριστικά

Το εργαλείο διαθέτει όλα ή ορισμένα από τα εξής χαρακτηριστικά.

1. Διακόπτης on/off
2. Στόμιο απαγωγής της σκόνης
3. Βάση
4. Στήριγμα μύτης
5. Αιχμή της βάσης λείανσης
6. Εξάρτημα δακτύλου
7. Εξάρτημα προφίλ
8. Βίδα
9. Προφίλ λείανσης

Επιπλέον, το εργαλείο αυτό διαθέτει κάποια ή όλα από τα ακόλουθα εξαρτήματα:

Εξάρτημα	Σ υνιστώμενη εφαρμογή και χρήση
Γυαλόχαρτο μεγάλης τραχύτητας	Ταχεία αφαίρεση βαφής, λάκας και σκουριάς
Γυαλόχαρτο μέσης τραχύτητας	Αφαίρεση βαφής, λάκας και σκουριάς
Γυαλόχαρτο μικρής τραχύτητας	Ανάμειξη και φινιρίσμα επιφανειών
Ψιλό γυαλόχαρτο	Λείανση μεταξύ των στρώσεων
Μύτες λείανσης ακριβείας	Γωνίες και δυσπρόσιτα μέρη
1 σύρμα γυαλισματος/ απόξεσης OT	Γυάλισμα μετάλλων, απόξεση λάκας και καθάρισμα γυαλιού
Γκριζό σφουγγάρι	Εφαρμογή και αφαίρεση στιλβώματος
Κόκκινο μη-πλεκτό σφουγγάρι	Χρήση σε βαριές συνθήκες τριψίματος και αφαίρεσης σκουριάς
Γκριζό γυαλόχαρτο	Γυάλισμα πλαστικών
Εξαρτήματα καμπυλών	Καμπύλες και προφίλ

## Συναρμολογηση

**Προειδοποίηση!** Πριν από τη συναρμολόγηση, βεβαιωθείτε ότι το εργαλείο είναι σβηστό και ότι το φως του δεν είναι στην πρίζα.

### Τοποθέτηση φύλλων γυαλόχαρτου (εικ. A & B)

- ◆ Αποσυνδέστε τις διαμαντέ μύτες (10) από το φύλλο γυαλόχαρτου (11).
- ◆ Κρατήστε το εργαλείο με την βάση λείανσης στραμμένη προς τα πάνω.

- ◆ Τοποθετήστε το φύλλο γυαλόχαρτου (11) στη βάση λείανσης, και βεβαιωθείτε ότι οι οπές του φύλλου συμπίπτουν με τις οπές της βάσης.

Η διαμαντέ μύτη (10) μπορεί να γυριστεί από την άλλη πλευρά και να αντικατασταθεί όταν φθαρεί.

- ◆ Όταν το μπροστινό μέρος της μύτης έχει φθαρεί, αποσυνδέστε το από το φύλλο, γυρίστε το από την άλλη πλευρά και πιέστε το πάλι μέσα στην βάση λείανσης.
- ◆ Όταν έχει φθαρεί όλη η μύτη, αφαιρέστε την από την βάση λείανσης και τοποθετήστε μια νέα μύτη.
- ◆ Τα σφουγγάρια στιλβώματος (14) τοποθετούνται με τον ίδιο τρόπο όπως τα φύλλα γυαλόχαρτου.

### Η αιχμή της βάσης λείανσης (εικ. C)

Όταν φθαρεί η αιχμή της βάσης λείανσης (5) ή το στήριγμα μύτης (4), μπορεί να αναποδογυριστεί ή να αντικατασταθεί. Το δικό σας εξουσιοδοτημένο κατάστημα BLACK+DECKER διαθέτει ανταλλακτικά.

- ◆ Αφαιρέστε τη βίδα (8).
- ◆ Αναποδογυρίστε ή αντικαταστήστε το φθαρμένο εξάρτημα.
- ◆ Τοποθετήστε και σφίξτε τη βίδα.

### Εξάρτημα δακτύλου (εικ. D)

Το εξάρτημα δακτύλου χρησιμοποιείται για λείανση μεγάλης ακριβείας.

- ◆ Αφαιρέστε τη βίδα (8).
- ◆ Αφαιρέστε το στήριγμα μύτης σε σχήμα διαμαντιού (4) από την βάση λείανσης.
- ◆ Τοποθετήστε το εξάρτημα δακτύλου (6) πάνω στην βάση λείανσης.
- ◆ Τοποθετήστε και σφίξτε τη βίδα.
- ◆ Τοποθετήστε το κατάλληλο φύλλο γυαλόχαρτου (12) στο εξάρτημα δακτύλου.

### Εξάρτημα προφίλ (μόνο στο KA160K/KA161K) (εικ. E)

Το εξάρτημα προφίλ χρησιμοποιείται για την λείανση καμπύλων.

- ◆ Αφαιρέστε τη βίδα (8).
- ◆ Αφαιρέστε το στήριγμα μύτης σε σχήμα διαμαντιού (4) από την βάση λείανσης.
- ◆ Τοποθετήστε το εξάρτημα προφίλ (7) πάνω στην βάση λείανσης.
- ◆ Τοποθετήστε και σφίξτε τη βίδα.

### Τοποθέτηση και αφαίρεση προφίλ λείανσης (εικ. F1 & F2)

- ◆ Επιλέξτε το προφίλ λείανσης ανάλογα με την εφαρμογή σας.
- ◆ Τοποθετήστε την μια άκρη του προφίλ λείανσης (9) στην εσοχή στο εμπρός μέρος της υποδοχής του προφίλ (7).



- ◆ Σπρώξτε την άλλη άκρη του προφίλ λείανσης μέχρι να ασφαλίσει στη θέση του.
- ◆ Για να αφαιρέσετε το προφίλ λείανσης, ωθήστε το προς τα εμπρός και απομακρύνετε τραβώντας το πίσω άκρο από την υποδοχή του προφίλ (εικ. F2).

### Τοποθέτηση φύλλου γυαλόχαρτου σε προφίλ λείανσης (εικ.G)

- ◆ Ευθυγραμμίστε το φύλλο γυαλόχαρτου (13) με το προφίλ λείανσης (9).
- ◆ Πιέστε το φύλλο γυαλόχαρτου πάνω στο προφίλ λείανσης, και σιγουρευτείτε πως το φύλλο γυαλόχαρτου ακολουθεί το σχήμα του προφίλ.

### Χρήση

**Προειδοποίηση!** Μην καλύπτετε τα ανοίγματα εξαερισμού όταν χρησιμοποιείτε το εργαλείο. Να κρατάτε το εργαλείο όπως φαίνεται στην εικ. Η. Βεβαιωθείτε ότι η βάση λείανσης είναι τοποθετημένη σε ευθεία γραμμή πάνω στο τεμάχιο εργασίας.

### Σύνδεση ηλεκτρικής σκούπας (εικ. I)

Το εργαλείο διαθέτει ένα προσαρμογέα για την σύνδεσή του με ηλεκτρική σκούπα όταν λειοάνει ξύλο. Για να συνδέσετε το εργαλείο με μια ηλεκτρική σκούπα, ενεργήστε ως ακολούθως:

**Προειδοποίηση!** Βεβαιωθείτε ότι το εργαλείο είναι σβηστό και ότι το φως του δεν είναι στην πρίζα.

- ◆ Τοποθετήστε το στόμιο απαγωγής της σκόνης (2) στον προσαρμογέα στο πίσω μέρος του εργαλείου.
- ◆ Συνδέστε τον σωλήνα μιας κατάλληλης ηλεκτρικής σκούπας στο στόμιο.

### Χρήση

**Προειδοποίηση!** Αφήστε το εργαλείο να λειτουργήσει με το δικό του ρυθμό. Μην το υπερφορτώνετε.

### Θέση εντός και εκτός λειτουργίας (εικ. J)

**Προειδοποίηση!** Πριν συνδέσετε το εργαλείο στην παροχή ρεύματος, βεβαιωθείτε ότι είναι εκτός λειτουργίας.

- ◆ Για να θέσετε σε λειτουργία το εργαλείο, πιέστε το σημείο του διακόπτη on/off (1) που είναι σημειωμένο με «I».
- ◆ Για να σβήσετε το εργαλείο, πιέστε το σημείο του διακόπτη on/off (1) που είναι σημειωμένο με «0».

### Εξαρτήματα

Η απόδοση του εργαλείου σας εξαρτάται από τα εξαρτήματα που χρησιμοποιείτε. Τα εξαρτήματα BLACK+DECKER και Piranha είναι σχεδιασμένα σύμφωνα με πρότυπα υψηλής ποιότητας για να βελτιώνουν την απόδοση του εργαλείου σας. Χρησιμοποιώντας τα θα επιτύχετε τη βέλτιστη απόδοση του εργαλείου.

### Συντήρηση

Το εργαλείο σας έχει σχεδιαστεί έτσι ώστε να λειτουργεί για μεγάλη χρονική περίοδο με την ελάχιστη δυνατή συντήρηση. Η αδιάλειπτη και κανονική λειτουργία του εργαλείου εξαρτάται από τη φροντίδα και τον τακτικό καθαρισμό.

**Προειδοποίηση!** Πριν από οποιαδήποτε εργασία συντήρησης στο εργαλείο, θα πρέπει να το σβήσετε και να το βγάλετε από την πρίζα.

- ◆ Να καθαρίζετε τακτικά τις εγχοπές εξαερισμού του εργαλείου σας χρησιμοποιώντας μαλακή βούρτσα ή στεγνό πανί.
- ◆ Να καθαρίζετε τακτικά το περιβλήμα του μοτέρ χρησιμοποιώντας ένα υγρό πανί. Μη χρησιμοποιείτε αποξεστικά καθαριστικά ή υγρά καθαρισμού που περιέχουν διαλύτες.

### Προστασία του περιβάλλοντος



Χωριστή συλλογή. Τα προϊόντα και οι μπαταρίες που επισημαίνονται με αυτό το σύμβολο δεν πρέπει να απορρίπτονται μαζί με τα κανονικά οικιακά απορρίμματα.

Τα προϊόντα και οι μπαταρίες περιέχουν υλικά που μπορούν να ανακτηθούν ή να ανακυκλωθούν ώστε να μειωθούν οι ανάγκες για πρώτες ύλες.

Παρακαλούμε να ανακυκλώνετε τα ηλεκτρικά προϊόντα και τις μπαταρίες σύμφωνα με τους τοπικούς κανονισμούς.

Περισσότερες πληροφορίες διατίθενται στον ιστότοπο [www.2helpU.com](http://www.2helpU.com)

### Τεχνικά δεδομένα

		KA160, KA160K KA161, KA161K Type 1
Τάση	$V_{ac}$	230
Ισχύς εισόδου	W	55
Ταχύτητα άφορτου κίνησης	$min^{-1}$	11,000
Βάρος	kg	0.8

#### Στάθμη πίεσης ήχου σύμφωνα με το πρότυπο EN 62841:

$L_{pA}$  (Πίεση ήχου) 66 dB(A), αβεβαιότητα (K) 3 dB(A)

$L_{WA}$  (Ακουστική ισχύς) 79 dB(A), αβεβαιότητα (K) 3 dB(A)

#### Τιμές συνολικής δόνησης (άθροισμα τριαξονικών ανυσμάτων) αποφασισμένο σύμφωνα με EN 62841:

Τιμή εκπομπής δόνησης ( $a_w$ ) 5.6  $m/s^2$ , αβεβαιότητα (K) 1.5  $m/s^2$

## Δήλωση συμμόρφωσης ΕΚ

### ΟΔΗΓΙΑ ΠΕΡΙ ΜΗΧΑΝΗΜΑΤΩΝ



Τριβείο - KA160, KA160K KA161, KA161K

Η Black & Decker δηλώνει ότι τα προϊόντα αυτά που περιγράφονται στα «τεχνικά χαρακτηριστικά» συμμορφώνονται με τα ακόλουθα: EN62841-1:2015, EN62841-2-4:2014.

Αυτά τα προϊόντα συμμορφώνονται και με την Οδηγία 2006/42/ΕΚ, 2014/30/ΕΕ και 2011/65/ΕΕ.

Για περισσότερες πληροφορίες, επικοινωνήστε με την Black & Decker στην παρακάτω διεύθυνση ή ανατρέξτε στο πίσω μέρος του εγχειριδίου.

Ο κάτωθι υπογεγραμμένος είναι υπεύθυνος για την κατάρτιση του τεχνικού φακέλου και δηλώνει τα παρόντα εκ μέρους της Black & Decker.

A. Smith  
Υπεύθυνος Σχεδιασμού  
Black & Decker Europe, 210 Bath Road, Slough,  
Berkshire, SL1 3YD  
United Kingdom  
28/02/2019

## Εγγύηση

Η Black & Decker είναι σίγουρη για την ποιότητα των προϊόντων της και προσφέρει στους καταναλωτές εγγύηση 24 μηνών από την ημερομηνία αγοράς. Αυτή η εγγύηση συμπληρώνει και με κανένα τρόπο δεν παραβιάζει τα νόμιμα δικαιώματά σας. Η εγγύηση ισχύει εντός της επικράτειας των χωρών μελών της Ευρωπαϊκής Ένωσης και της Ευρωπαϊκής Ζώνης Ελεύθερων Συναλλαγών.

Για να υποβάλετε αξίωση βάσει της εγγύησης, η αξίωση θα πρέπει να είναι σύμφωνη με τους Όρους και προϋποθέσεις της Black & Decker και θα χρειαστεί να υποβάλετε απόδειξη αγοράς στον πωλητή ή σε εξουσιοδοτημένο αντιπρόσωπο σέρβις. Μπορείτε να αποκτήσετε τους Όρους και προϋποθέσεις της εγγύησης 2 ετών της Black & Decker και να μάθετε την τοποθεσία του πλησιέστερου εξουσιοδοτημένου αντιπροσώπου επισκευών στο Internet στο [www.2helpU.com](http://www.2helpU.com), ή επικοινωνώντας με το τοπικό σας γραφείο Black & Decker στη διεύθυνση που υποδεικνύεται στο παρόν εγχειρίδιο.

Παρακαλούμε επισκεφθείτε την ιστοσελίδα μας [www.blackanddecker.gr](http://www.blackanddecker.gr) για να καταχωρίσετε το νέο σας προϊόν Black & Decker και για να ενημερώνεστε για τα νέα προϊόντα και τις ειδικές προσφορές.



<b>België/Belgique/Luxembourg</b> www.blackanddecker.be enduser.be@sbdinc.com	Stanley Black & Decker Belgium BVBA Egide Walschaertsstraat 16 2800 Mechelen	Tel. NL +32 15 47 37 65 Tel. FR +32 15 47 37 66 Fax. +32 15 47 37 99
<b>Danmark</b>	Black & Decker Roskildevej 22 2620 Albertslund	kundeservice.dk@sbdinc.com www.blackanddecker.dk
<b>Deutschland</b> www.blackanddecker.de infobdgc@sbdinc.com	Stanley Black & Decker Deutschland GmbH Black & Decker Str. 40, D - 65510 Idstein	Tel. 06126 21-0 Fax 06126 21-2980
<b>Ελλάδα</b> www.blackanddecker.gr greece.service@sbdinc.com	Stanley Black & Decker (ΕΛΛΑΣ) Ε.Π.Ε ΓΡΑΦΕΙΑ: Σπύρου 7 & Βουλιαγμένης 166 74 Γλυφάδα - Αθήνα	Τηλ. 210-8981616 Φαξ 210-8983570
<b>SERVICE:</b>	Ημερος Τόπος 2 -Χάνι Αδάμ 193 00 Ασπρόπυργος - Αθήνα	Τηλ. Service 210-8985208 Φαξ 210-5597598
<b>España</b> www.blackanddecker.es respuesta.posventa@sbdinc.com	Stanley Black & Decker Ibérica, S.C.A. Parc de Negocis "Mas Blau" Edificio Muntadas, c/Bergadá, 1, Of. A6 08820 El Prat de Llobregat (Barcelona)	Tel. 934 797 400 Fax 934 797 419
<b>France</b> www.blackanddecker.fr	Black & Decker (France) S.A.S. 5 allée des Hêtres B.P. 30084 69579 Limonest Cédex	Tel. 04 72 20 39 20 Fax 04 72 20 39 00
<b>Helvetia</b> www.blackanddecker.ch service@rofoag.ch	ROFO AG Gewerbezone Seeblick 3213 Kleinbödingen	Tel. 026-6749393 Fax 026-6749394
<b>Italia</b> www.blackanddecker.it service.italia@sbdinc.com	Stanley Black & Decker Italia Via Energypark 6 20871 Vimercate (MB)	Tel. 039-9590200 Fax 039-9590313 Numero verde 800-213935
<b>Nederland</b> www.blackanddecker.nl enduser.nl@sbdinc.com	Stanley Black & Decker Netherlands BV Holtum Noordweg 35, 6121 RE BORN Postbus 83, 6120 AB BORN	Tel. +31 164 283 065 Fax +31 164 283 200
<b>Norge</b>	Black & Decker Postboks 4613, Nydalen 0405 Oslo	kundeservice.no@sbdinc.com www.blackanddecker.no
<b>Österreich</b> www.blackanddecker.at service.austria@sbdinc.com	Stanley Black & Decker Austria GmbH Oberlaaerstraße 248, A-1230 Wien	Tel. 01 66116-0 Fax 01 66116-614
<b>Portugal</b> www.blackanddecker.pt resposta.posvenda@sbdinc.com	Black & Decker Limited SARL Quinta da Fonte - Edifício Q55 D. Diniz Rua dos Malhães, 2 e 2A - Piso 2 Esquerdo 2770 - 071 Paço de Arcos	Tel. 214667500 Fax 214667580
<b>Suomi</b>	Black & Decker PL47 00521, Helsinki	asiakaspalvelu.fi@sbdinc.com www.blackanddecker.fi
<b>Sverige</b>	Black & Decker AB Box 94, 431 22 Mölndal	kundservice.se@sbdinc.com www.blackanddecker.se
<b>Türkiye</b> www.blackanddecker.com.tr	KALE Hırdavat ve Makina A.Ş. Defferdar Mah. Savaklar Cad. No:15 Edimekapı / Eyüp / İstanbul 34050	Tel. 0212 533 52 55 Fax. 0212 533 10 05
<b>United Kingdom &amp; Republic Of Ireland</b> www.blackanddecker.co.uk emeaservice@sbdinc.com	Black & Decker 210 Bath Road Slough, Berkshire SL1 3YD	Tel. 01753 511234 Fax 01753 512365
<b>Middle East &amp; Africa</b> www.blackanddecker.ae service.mea@sbdinc.com	Black & Decker P.O.Box - 17164 Jebel Ali Free Zone (South), Dubai, UAE	Tel. +971 4 8863030 Fax +971 4 8863333