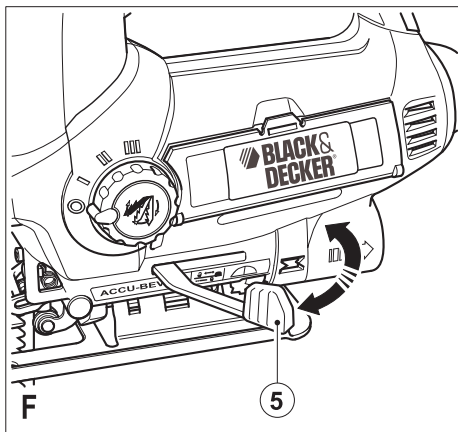
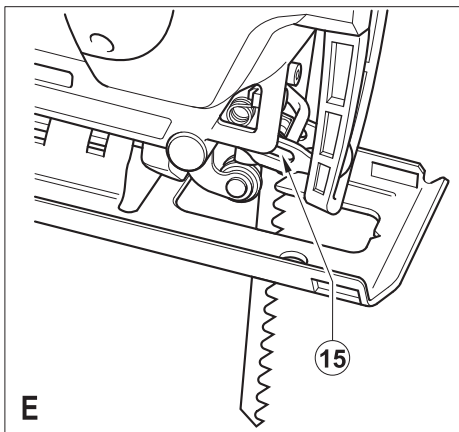
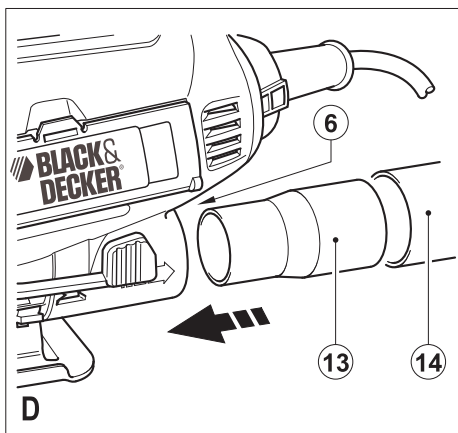
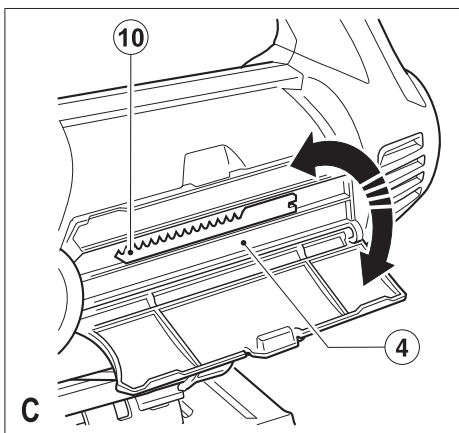
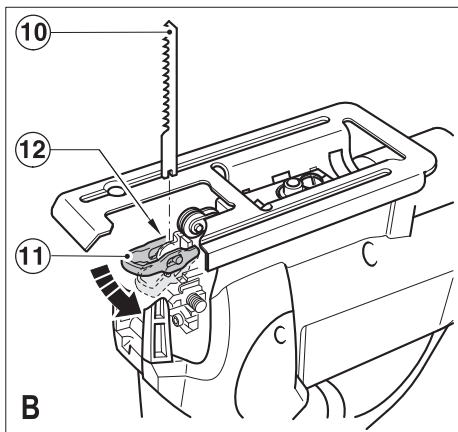
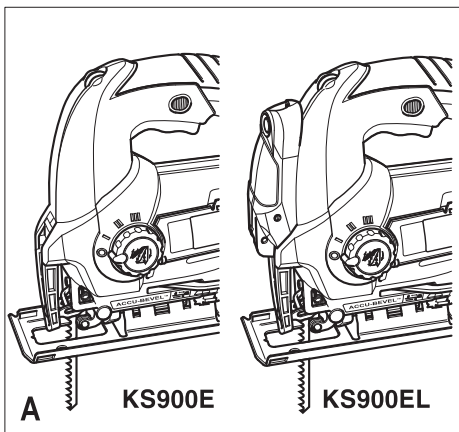
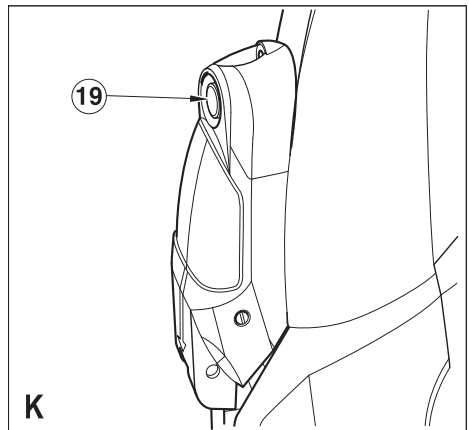
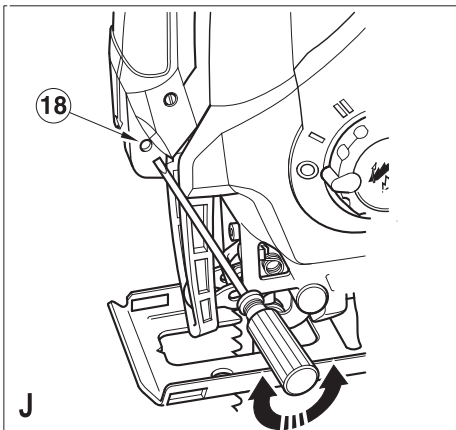
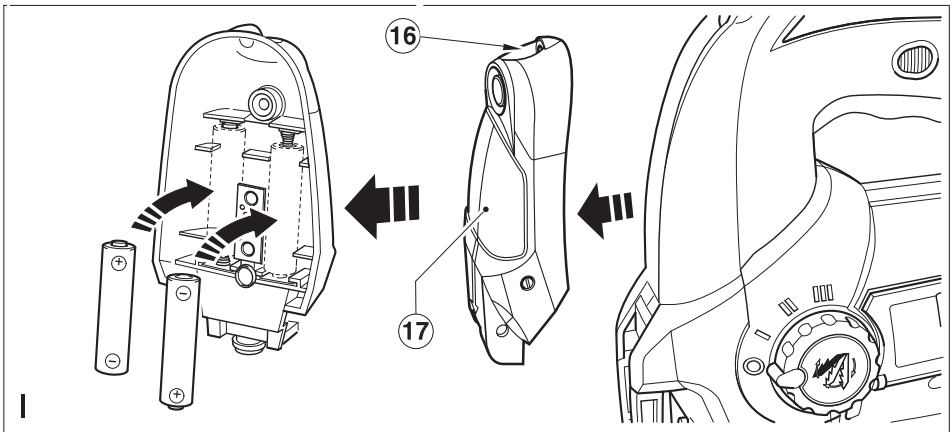
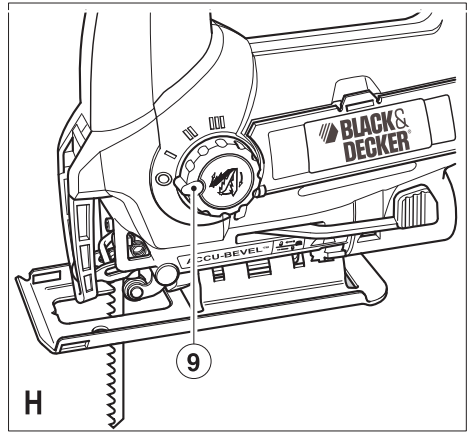
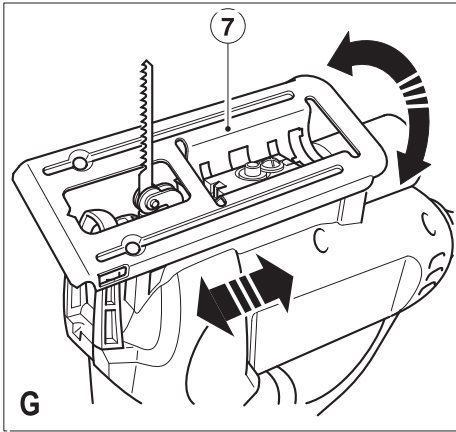
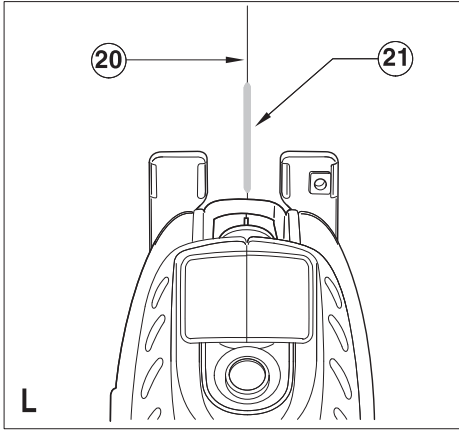


KS900E
KS900EL

English	(Original instructions)	6
Deutsch	(Übersetzung der ursprünglichen Anweisungen)	13
Français	(Traduction des instructions initiales)	21
Italiano	(Traduzione del testo originale)	28
Nederlands	(Vertaling van de originele instructies)	35
Español	(Traducción de las instrucciones originales)	42
Português	(Tradução das instruções originais)	50
Svenska	(Översättning av originalanvisningarna)	58
Norsk	(Oversettelse av de opprinnelige instruksjonene)	65
Dansk	(Oversættelse af de oprindelige instruktioner)	72
Suomi	(Alkuperäisten ohjeiden käännös)	79
Ελληνικά	(Μετάφραση των πρωτότυπων οδηγιών)	86







Intended use

Your Black & Decker jigsaw has been designed for sawing wood, plastics and metal. This tool is intended for consumer use only.

Safety instructions

General power tool safety warnings



Warning! Read all safety warnings and all instructions. Failure to follow all instructions may result in electric shock, fire and/or serious injury.

Save all warnings and instructions for future reference.

The term "power tool" in all of the warnings listed below refers to your mains operated (corded) power tool or battery operated (cordless) power tool.

1. **Work area safety**
 - a. **Keep work area clean and well lit.** Cluttered and dark areas invite accidents.
 - b. **Do not operate power tools in explosive atmospheres, such as in the presence of flammable liquids, gases or dust.** Power tools create sparks which may ignite the dust or fumes.
 - c. **Keep children and bystanders away while operating a power tool.** Distractions can cause you to lose control.
2. **Electrical safety**
 - a. **Power tool plugs must match the outlet. Never modify the plug in any way. Do not use any adapter plugs with earthed (grounded) power tools.** Unmodified plugs and matching outlets will reduce risk of electric shock.
 - b. **Avoid body contact with earthed or grounded surfaces such as pipes, radiators, ranges and refrigerators.** There is an increased risk of electric shock if your body is earthed or grounded.
 - c. **Do not expose power tools to rain or wet conditions.** Water entering a power tool will increase the risk of electric shock.
 - d. **Do not abuse the cord. Never use the cord for carrying, pulling or unplugging the power tool. Keep cord away from heat, oil, sharp edges or moving parts.** Damaged or entangled cords increase the risk of electric shock.
 - e. **When operating a power tool outdoors, use an extension cord suitable for outdoor use.** Use of a cord suitable for outdoor use reduces the risk of electric shock.
3. **Personal safety**
 - a. **Stay alert, watch what you are doing and use common sense when operating a power tool. Do not use a power tool while you are tired or under the influence of drugs, alcohol or medication.** A moment of inattention while operating power tools may result in serious personal injury.
 - b. **Use personal protective equipment. Always wear eye protection.** Protective equipment such as dust mask, non-skid safety shoes, hard hat, or hearing protection used for appropriate conditions will reduce personal injuries.
 - c. **Prevent unintentional starting. Ensure the switch is in the off-position before connecting to power source and/or battery pack, picking up or carrying the tool.** Carrying power tools with your finger on the switch or energising power tools that have the switch on invites accidents.
 - d. **Remove any adjusting key or wrench before turning the power tool on.** A wrench or a key left attached to a rotating part of the power tool may result in personal injury.
 - e. **Do not overreach. Keep proper footing and balance at all times.** This enables better control of the power tool in unexpected situations.
 - f. **Dress properly. Do not wear loose clothing or jewellery. Keep your hair, clothing and gloves away from moving parts.** Loose clothes, jewellery or long hair can be caught in moving parts.
 - g. **If devices are provided for the connection of dust extraction and collection facilities, ensure these are connected and properly used.** Use of these devices can reduce dust related hazards.
4. **Power tool use and care**
 - a. **Do not force the power tool. Use the correct power tool for your application.** The correct power tool will do the job better and safer at the rate for which it was designed.
 - b. **Do not use the power tool if the switch does not turn it on and off.** Any power tool that cannot be controlled with the switch is dangerous and must be repaired.
 - c. **Disconnect the plug from the power source and/or the battery pack from the power tool before making any adjustments, changing accessories, or storing power tools.** Such preventive safety measures reduce the risk of starting the power tool accidentally.
5. **If operating a power tool in a damp location is unavoidable, use a Residual Current Device (RCD) protected supply.** Use of an RCD reduces the risk of electric shock.

- d. **Store idle power tools out of the reach of children and do not allow persons unfamiliar with the power tool or these instructions to operate the power tool.** Power tools are dangerous in the hands of untrained users.
 - e. **Maintain power tools. Check for misalignment or binding of moving parts, breakage of parts and any other condition that may affect the power tools operation. If damaged, have the power tool repaired before use.** Many accidents are caused by poorly maintained power tools.
 - f. **Keep cutting tools sharp and clean.** Properly maintained cutting tools with sharp cutting edges are less likely to bind and are easier to control.
 - g. **Use the power tool, accessories and tool bits etc. in accordance with these instructions, taking into account the working conditions and the work to be performed.** Use of the power tool for operations different from those intended could result in a hazardous situation.
5. **Service**
- h. **Have your power tool serviced by a qualified repair person using only identical replacement parts.** This will make sure that the safety of the power tool is maintained.

Additional power tool safety warnings



Warning! Additional safety warnings for jigsaws.

- ◆ **Hold power tool by insulated gripping surfaces, when performing an operation where the cutting accessory may contact hidden wiring or its own cord.** Cutting accessory contacting a "live" wire may make exposed metal parts of the power tool "live" and could give the operator an electric shock.
 - ◆ **Use clamps or another practical way to secure and support the workpiece to a stable platform.** Holding the work by hand or against your body leaves it unstable and may lead to loss of control.
 - ◆ **Keep hands away from cutting area.** Never reach underneath the work piece any reason. Do not insert fingers or thumb into the vicinity of the reciprocating blade and blade clamp. Do not stabilize the saw by gripping the shoe.
 - ◆ **Keep blades sharp.** Dull or damaged blades may cause the saw to swerve or stall under pressure. Always use the appropriate type of saw blade for the workpiece material and type of cut.
 - ◆ **When cutting pipe or conduit, make sure that they are free from water, electrical wiring, etc.**
- ◆ **Do not touch the workpiece or the blade immediately after operating the tool.** They can become very hot.
 - ◆ **Be aware of hidden hazards, before cutting into walls, floors or ceilings, check for the location of wiring and pipes.**
 - ◆ **The blade will continue to move after releasing the switch.** Always switch the tool off and wait for the saw blade to come to a complete standstill before putting the tool down.
- Warning!** Contact with, or inhalation of dusts arising from cutting applications may endanger the health of the operator and possible bystanders. Wear a dust mask specifically designed for protection against dust and fumes and ensure that persons within or entering the work area are also protected.
- ◆ The intended use is described in this instruction manual. The use of any accessory or attachment or performance of any operation with this tool other than those recommended in this instruction manual may present a risk of personal injury and/or damage to property.

Safety of others

- ◆ This appliance is not intended for use by persons (including children) with reduced physical, sensory or mental capabilities, or lack of experience and knowledge, unless they have been given supervision or instruction concerning the use of the appliance by a person responsible for their safety.
- ◆ Children should be supervised to ensure that they do not play with the appliance.

Vibration

The declared vibration emission values stated in the technical data and the declaration of conformity have been measured in accordance with a standard test method provided by EN 60745 and may be used for comparing one tool with another. The declared vibration emission value may also be used in a preliminary assessment of exposure.

Warning! The vibration emission value during actual use of the power tool can differ from the declared value depending on the ways in which the tool is used. The vibration level may increase above the level stated.

When assessing vibration exposure to determine safety measures required by 2002/44/EC to protect persons regularly using power tools in employment, an estimation of vibration exposure should consider, the actual conditions of use and the way the tool is used, including taking account of all parts of the operating cycle such as the times when the tool is switched off and when it is running idle in addition to the trigger time.

Labels on tools



Warning! To reduce the risk of injury, the user must read the instruction manual.

Electrical safety



This tool is double insulated; therefore no earth wire is required. Always check that the power supply corresponds to the voltage on the rating plate.

If the supply cord is damaged, it must be replaced by the manufacturer or an authorised Black & Decker Service Centre in order to avoid a hazard.

Additional safety instructions for non-rechargeable batteries

Never attempt to open for any reason.
Do not store in locations where the temperature may exceed 40°C.

When disposing of batteries, follow the instructions given in the section "Protecting the environment".
Do not incinerate the batteries.

Under extreme conditions, battery leakage may occur. When you notice liquid on the batteries, proceed as follows:

- Carefully wipe the liquid off using a cloth. Avoid skin contact.

Additional safety instructions for lasers



Read all of this manual carefully.



This product is not to be used by children under 16.



Laser radiation.



Do not look into the laser beam.



Do not use optical tools to view the laser beam.

This laser complies with class 2 according to EN 60825-1:2007. Do not replace a laser diode with a different type. If the laser is damaged, have the laser repaired by an authorised repair agent.

Do not use the laser for any purpose other than projecting laser lines.

An exposure of the eye to the beam of a class 2 laser is considered safe for a maximum of 0.25 seconds. Eyelid reflexes will normally provide adequate protection. At distances greater than 1m, the laser complies with class 1 and is therefore considered completely safe.

Never look into the laser beam directly and intentionally. Do not use optical tools to view the laser beam.

Do not set up the tool where the laser beam can cross any person at head height.

Do not let children come near the laser.

Features

1. Variable speed control knob
2. On/off switch
3. Lock-on button
4. Blade storage compartment cover
5. Shoe plate locking lever
6. Dust extraction outlet
7. Shoe plate
8. Saw blade support roller
9. Pendulum stroke selector

Additional features (fig. A)

Additional features may be applicable depending upon the product purchased. The additional features applicable to the catalogue number purchased are shown in fig. A.

Assembly

Warning! Before attempting any of the following operations, make sure that the tool is switched off and unplugged and that the saw blade has stopped. Used saw blades may be hot.

Fitting and removing the saw blade (fig. B and C)

Warning! Before attempting any of the following operations, make sure that the tool is switched off and unplugged and that the saw blade has stopped. Used saw blades may be hot.

Fitting the saw blade (fig. B)

Hold the saw blade (10) as shown, with the teeth facing forward.

Push and hold the blade clamp (11) down.

- ◆ Insert the shank of the saw blade into the blade holder (12) as far as it will go.
- ◆ Release the blade clamp (11).

Saw blade storage (fig. C)

Saw blades (10) can be stored in the storage compartment (4) located on the side of the tool.

- ◆ Open the cover of the saw blade storage compartment (4) by holding the tab on the top of the cover and pulling it outward.
- ◆ The blades are retained in the compartment by a magnetic strip. To remove a blade, press down on one end of the blade to raise the other end, and remove.
- ◆ Close the cover of the saw blade storage compartment (4) and make sure that it is latched closed.

Warning! Close the storage compartment door securely before operating the saw.

Connecting a vacuum cleaner to the tool (fig. D)

An adaptor (13) is required to connect a vacuum cleaner or dust extractor to the tool.

- ◆ Push the adaptor (13) into the dust extraction outlet (6).
- ◆ Connect the vacuum cleaner hose (14) to the adaptor (13).

Cut line blower (fig. E)

- ◆ To aid visibility when cutting, your jigsaw is equipped with a cut line blower (15) which will keep the work area clear of dust as you saw.

Residual risks

Additional residual risks may arise when using the tool which may not be included in the enclosed safety warnings. These risks can arise from misuse, prolonged use etc.

Even with the application of the relevant safety regulations and the implementation of safety devices, certain residual risks cannot be avoided. These include:

- ◆ Injuries caused by touching any rotating/moving parts.
- ◆ Injuries caused when changing any parts, blades or accessories.
- ◆ Injuries caused by prolonged use of a tool. When using any tool for prolonged periods make sure you take regular breaks.
- ◆ Impairment of hearing.
- ◆ Health hazards caused by breathing dust developed when using your tool (example:- working with wood, especially oak, beech and MDF).

Use

Adjusting the shoe plate for bevel cuts (fig. F and G)

Warning! Never use the tool when the shoe plate is loose or removed.

The shoe plate (7) can be set to a left or right bevel angle of up to 45°.

- ◆ Pull the shoe plate locking lever (5) outwards to unlock the shoe plate (7) from the 0 deg position.
- ◆ Pull the shoe plate (7) forward and set the required bevel 15°, 30° and 45° indicated in the bevel angle window.
- ◆ Push the shoe plate locking lever (5) back towards the saw to lock the shoe plate (7).

To reset the shoe plate (7) for straight cuts:

- ◆ Pull the shoe plate locking lever (5) outwards to unlock the shoe plate (7).
- ◆ Set the shoe plate (7) to an angle of 0° and push the shoe plate backwards.
- ◆ Push the shoe plate locking lever (5) back towards the saw to lock the shoe plate (7).

Setting the pendulum stroke (fig. H)

- ◆ Set the pendulum stroke selector (9) to the required position.
- ◆ Position 0: metal and aluminium and sheet metal.
- ◆ Position I: for laminates, hard wood, work tops.
- ◆ Position II: for plywood and PVC/Plastics.
- ◆ Position III: for soft wood and fast cutting.

Variable speed control

- ◆ Set the variable speed control knob (1) to the required speed range.
- ◆ Use a high speed for wood, medium speed for aluminium and PVC and low speed for metals other than aluminium.

Switching on and off

- ◆ To switch the tool on, press the on/off switch (2).
- ◆ To switch the tool off, release the on/off switch (2).
- ◆ For continuous operation, press the lock-on button (3) and release the on/off switch (2).
- ◆ To switch the tool off when in continuous operation, press the on/off switch (2) and release it.

Sawing

Hold the tool firmly with both hands while cutting.

The shoe plate (7) should be held firmly against the material being cut. This will help prevent the saw from jumping, reduce vibration and minimise blade breakage.

- ◆ Let the blade run freely for a few seconds before starting the cut.
- ◆ Apply only a gentle pressure to the tool while performing the cut.

Operating the laser (fig. I - L) (KS900EL unit only)

Installing the batteries (fig. I)

Detach the laser module (17) from the jigsaw by removing the screw (16) and pulling the laser module forward. Insert two new 1.5 Volt AAA alkaline batteries, making sure to match the (+) and (-) terminals correctly. Re-attach the laser module (17).

Adjusting the laser side-to-side (fig. J)

Note: The laser is intended as a cutting aid and does not guarantee a precise cut.

Warning! Do not adjust the laser with the jigsaw plugged in.

- ◆ Use the laser adjustment screw (18) to align the laser line with the saw blade if needed.

The laser visibility (power) will be reduced if the jigsaw is overheated. The laser may not be visible when the saw is overloaded for a prolonged period of time. The laser visibility will gradually return to normal when the tool cools down even when the tool is unplugged.

Warning! Do not leave the overheated laser switched ON. Make sure that the switch is in the OFF position and remove the batteries to remove power from the laser.

Using the laser (fig. K - L)

The laser projects the line of cut (21) on to the surface of the workpiece.

- ◆ To switch the laser on, press the button (19).
- ◆ To switch the laser off, press the button (19) again.

Viewing from directly above the jigsaw, the line of cut (21) can be easily followed. Should this view be restricted for any reason, the laser can be used as an alternative cutting guide.

- ◆ Use a pencil to mark the cutting line (20).
- ◆ Position the jigsaw over the line (20).
- ◆ Switch on the laser.

Hints for optimum use

Sawing laminates

When cutting laminates, splintering may occur which can damage the presentation surface. The most common saw blades cut on the upward stroke, therefore if the shoe plate is sitting on the presentation surface either use a saw blade that cuts on the downward stroke or:

- ◆ Use a fine-tooth saw blade.
- ◆ Saw from the back surface of the workpiece.
- ◆ To minimise splintering, clamp a piece of scrap wood or hardboard to both sides of the workpiece and saw through this sandwich.

Sawing metal

Be aware that sawing metal takes much more time than sawing wood.

- ◆ Use a saw blade suitable for sawing metal.
- ◆ When cutting thin sheet metal, clamp a piece of scrap wood to the back surface of the workpiece and cut through this sandwich.
- ◆ Spread a film of oil along the intended line of cut.

Maintenance

Your Black & Decker tool has been designed to operate over a long period of time with a minimum of maintenance.

Continuous satisfactory operation depends upon proper tool care and regular cleaning.

- ◆ Regularly clean the ventilation slots in your tool using a soft brush or dry cloth.
- ◆ Regularly clean the motor housing using a damp cloth. Do not use any abrasive or solvent-based cleaner. Never let any liquid get inside the tool and never immerse any part of the tool into liquid.

Mains plug replacement (U.K. & Ireland only)

If a new mains plug needs to be fitted:

- ◆ Safely dispose of the old plug.
- ◆ Connect the brown lead to the live terminal in the new plug.
- ◆ Connect the blue lead to the neutral terminal.

Warning! No connection is to be made to the earth terminal. Follow the fitting instructions supplied with good quality plugs. Recommended fuse: 5 A.

Protecting the environment



Separate collection. This product must not be disposed of with normal household waste.

Should you find one day that your Black & Decker product needs replacement, or if it is of no further use to you, do not dispose of it with household waste. Make this product available for separate collection.



Separate collection of used products and packaging allows materials to be recycled and used again. Re-use of recycled materials helps prevent environmental pollution and reduces the demand for raw materials.

Local regulations may provide for separate collection of electrical products from the household, at municipal waste sites or by the retailer when you purchase a new product.

Black & Decker provides a facility for the collection and recycling of Black & Decker products once they have reached the end of their working life. To take advantage of this service please return your product to any authorised repair agent who will collect them on our behalf.

You can check the location of your nearest authorised repair agent by contacting your local Black & Decker office at the address indicated in this manual. Alternatively, a list of authorised Black & Decker repair agents and full details of our after-sales service and contacts are available on the Internet at: www.2helpU.com.

Batteries



At the end of their useful life, discard batteries with due care for our environment:

- Do not short-circuit the battery terminals.
- Do not dispose of the battery(s) in a fire as this may result in a risk of personal injury or an explosion.
- Run the battery down completely, then remove it from the tool.
- Batteries are recyclable. Place the battery(s) in a suitable packaging to ensure that the terminals cannot be short-circuited. Take them to any authorised repair agent or a local recycling station.

Technical data

	KS900E TYPE 1 KS900EL TYPE 1
Voltage	Vac 230
Rated input	W 600
No-load speed	min ⁻¹ 800-3000
Max. depth of cut	
Wood	mm 85
Steel	mm 5
Aluminium	mm 15
Weight	kg 2.36
(with laser)	kg 2.66

Level of sound pressure according to EN 60745:
 Sound pressure ($L_{p(A)}$) 87 dB(A), uncertainty (K) 3 dB(A)
 Sound power (L_{WA}) 98 dB(A), uncertainty (K) 3 dB(A)

Vibration total values (triax vector sum) according to EN 60745:
 Cutting wood ($a_{h,CW}$) 10.5 m/s², uncertainty (K) 1.5 m/s²
 Cutting metal ($a_{h,CM}$) 14.5 m/s², uncertainty (K) 1.5 m/s²

**EC declaration of conformity
MACHINERY DIRECTIVE**



KS900E, KS900EL

Black & Decker declares that these products described under "technical data" are in compliance with: 2006/42/EC, EN60745-1, EN60745-2-11

For more information, please contact Black & Decker at the following address or refer to the back of the manual.

The undersigned is responsible for compilation of the technical file and makes this declaration on behalf of Black & Decker.

Kevin Hewitt
 Vice-President Global Engineering
 Black & Decker Europe,
 210 Bath Road, Slough,
 Berkshire, SL1 3YD
 United Kingdom
 14-02-2011

Guarantee

Black & Decker is confident of the quality of its products and offers an outstanding guarantee. This guarantee statement is in addition to and in no way prejudices your statutory rights. The guarantee is valid within the territories of the Member States of the European Union and the European Free Trade Area.

If a Black & Decker product becomes defective due to faulty materials, workmanship or lack of conformity, within 24 months from the date of purchase, Black & Decker guarantees to replace defective parts, repair products subjected to fair wear and tear or replace such products to make sure of the minimum inconvenience to the customer unless:

- The product has been used for trade, professional or hire purposes.
- The product has been subjected to misuse or neglect.
- The product has sustained damage through foreign objects, substances or accidents.

- ◆ Repairs have been attempted by persons other than authorised repair agents or Black & Decker service staff.

To claim on the guarantee, you will need to submit proof of purchase to the seller or an authorised repair agent. You can check the location of your nearest authorised repair agent by contacting your local Black & Decker office at the address indicated in this manual. Alternatively, a list of authorised Black & Decker repair agents and full details of our after-sales service and contacts are available on the Internet at:

www.2helpU.com

Please visit our website **www.blackanddecker.co.uk** to register your new Black & Decker product and to be kept up to date on new products and special offers. Further information on the Black & Decker brand and our range of products is available at **www.blackanddecker.co.uk**.

Bestimmungsgemäße Verwendung

Ihre Black & Decker Stichsäge wurde zum Sägen von Holz, Kunststoff und Metall entwickelt. Dieses Gerät ist nicht für den gewerblichen Einsatz vorgesehen.

Sicherheitshinweise

Allgemeine Sicherheitswarnungen für das Gerät



Achtung! Sämtliche Sicherheitswarnungen und Anweisungen sind zu lesen. Die Nichteinhaltung der aufgeführten Anweisungen kann einen elektrischen Schlag, Brand und/oder schwere

Verletzungen verursachen.

Bewahren Sie alle Sicherheitswarnungen und Anweisungen gut auf.


Der nachfolgend verwendete Begriff „Gerät“ bezieht sich auf netzbetriebene Geräte (mit Netzkabel) und auf akkubetriebene Geräte (ohne Netzkabel).

1. **Sicherheit im Arbeitsbereich**
 - a. **Halten Sie Ihren Arbeitsbereich sauber und gut ausgeleuchtet.** Unordnung und dunkle Arbeitsbereiche können zu Unfällen führen.
 - b. **Arbeiten Sie mit Geräten nicht in explosionsgefährdeter Umgebung, in der sich brennbare Flüssigkeiten, Gase oder Stäube befinden.** Geräte erzeugen Funken, die den Staub oder die Dämpfe entzünden können.
 - c. **Halten Sie Kinder und andere Personen während der Benutzung eines Gerätes fern.** Bei Ablenkung können Sie die Kontrolle verlieren.
2. **Elektrische Sicherheit**
 - a. **Der Netzstecker des Gerätes muss in die Steckdose passen. Der Stecker darf in keiner Weise verändert werden. Verwenden Sie für geschützte Geräte keine Adapterstecker.** Unveränderte Stecker und passende Steckdosen verringern das Risiko eines elektrischen Schlages.
 - b. **Vermeiden Sie Körperkontakt mit geerdeten Oberflächen von Rohren, Heizungen, Herden und Kühlschränken.** Es besteht ein erhöhtes Risiko eines elektrischen Schlages, wenn Ihr Körper geerdet ist.
 - c. **Halten Sie Geräte von Regen und Nässe fern.** Das Eindringen von Wasser in ein Gerät erhöht das Risiko eines elektrischen Schlages.
- d. **Verwenden Sie das Kabel ordnungsgemäß. Verwenden Sie es niemals zum Tragen. Trennen Sie das Gerät nicht durch Ziehen am Kabel vom Netz. Halten Sie das Kabel fern von Hitze, Öl, scharfen Kanten oder sich bewegenden Teilen.** Beschädigte oder verwickelte Kabel erhöhen das Risiko eines elektrischen Schlages.
- e. **Wenn Sie mit einem Gerät im Freien arbeiten, verwenden Sie nur Verlängerungskabel, die auch für den Außenbereich zugelassen sind.** Die Verwendung eines für den Außenbereich geeigneten Verlängerungskabels verringert das Risiko eines elektrischen Schlages.
- f. **Wenn ein Elektrowerkzeug in einer feuchten Umgebung verwendet werden muss, schließen Sie es unbedingt an eine Steckdose mit Fehlerstromschutzschalter (RCD) an.** Ein Fehlerstromschutzschalter verringert das Risiko eines elektrischen Schlages.
3. **Sicherheit von Personen**
 - a. **Seien Sie aufmerksam, achten Sie darauf, was Sie tun, und gehen Sie vernünftig mit dem Gerät um. Benutzen Sie das Gerät nicht, wenn Sie müde sind oder unter dem Einfluss von Drogen, Alkohol oder Medikamenten stehen.** Ein Moment der Unachtsamkeit beim Gebrauch von Geräten kann zu ernsthaften Verletzungen führen.
 - b. **Verwenden Sie eine geeignete Schutzausrüstung. Tragen Sie stets eine Schutzbrille.** Schutzausrüstung wie Staubmaske, rutschfeste Sicherheitsschuhe, Schutzhelm oder Gehörschutz, je nach Art und Einsatz des Gerätes, verringert das Risiko von Verletzungen.
 - c. **Vermeiden Sie eine unbeabsichtigte Inbetriebnahme. Vergewissern Sie sich, dass das Gerät ausgeschaltet ist, bevor Sie es an eine Steckdose oder einen Akku anschließen, es hochheben oder tragen.** Durch das Tragen des Gerätes mit dem Finger am Schalter oder durch das Anschließen eingeschalteter Geräte werden Unfälle provoziert.
 - d. **Entfernen Sie Einstell- oder Schraubenschlüssel, bevor Sie das Gerät einschalten.** Ein Schlüssel in einem sich drehenden Teil kann zu Verletzungen führen.
 - e. **Beugen Sie sich nicht zu weit nach vorn über. Achten Sie auf einen sicheren Stand, um in jeder Arbeitsposition das Gleichgewicht zu halten.** Dadurch können Sie das Gerät in unerwarteten Situationen besser unter Kontrolle halten.

- f. **Tragen Sie geeignete Kleidung. Tragen Sie keine weiße Kleidung oder Schmuck. Halten Sie Haare, Kleidung und Handschuhe von sich bewegenden Teilen fern.** Lockere Kleidung, Schmuck oder lange Haare können von sich bewegenden Teilen erfasst werden.
- g. **Falls Vorrichtungen zum Absaugen oder Auffangen von Staub vorhanden sind, vergewissern Sie sich, dass diese angeschlossen sind und richtig verwendet werden.** Diese Vorrichtungen verringern Gefährdungen durch Staub.
4. **Gebrauch und Pflege von Geräten**
- a. **Überlasten Sie das Gerät nicht. Verwenden Sie das für Ihre Arbeit passende Gerät.** Durch das Arbeiten in dem für das Gerät angegebenen Leistungsbereich erzielen Sie nicht nur optimale Ergebnisse, Sie erhöhen auch die Sicherheit.
- b. **Verwenden Sie das Gerät nicht, wenn der Ein-/Ausschalter nicht funktioniert.** Ein Gerät, das sich nicht mehr ein- oder ausschalten lässt, ist gefährlich und muss repariert werden.
- c. **Ziehen Sie den Stecker aus der Steckdose oder trennen Sie das Gerät vom Akku, bevor Sie Einstellungen vornehmen, Zubehörteile wechseln oder das Gerät weglegen.** Diese Vorsichtsmaßnahme verhindert den unbeabsichtigten Start des Gerätes.
- d. **Bewahren Sie unbenutzte Geräte außerhalb der Reichweite von Kindern auf. Lassen Sie Geräte nicht von Personen benutzen, die damit nicht vertraut sind oder diese Anweisungen nicht gelesen haben.** Geräte sind gefährlich, wenn sie von unerfahrenen Personen benutzt werden.
- e. **Halten Sie Geräte in einem einwandfreien Zustand. Kontrollieren Sie, ob bewegliche Teile falsch ausgerichtet sind oder klemmen und ob Teile gebrochen oder so beschädigt sind, dass die Funktion des Gerätes beeinträchtigt ist. Lassen Sie beschädigte Geräte vor dem Gebrauch reparieren.** Durch schlecht gewartete Geräte werden zahlreiche Unfälle verursacht.
- f. **Halten Sie Schneidwerkzeuge scharf und sauber.** Sorgfältig gepflegte Schneidwerkzeuge mit scharfen Schneidkanten verklemmen sich weniger und sind leichter zu führen.
- g. **Verwenden Sie Gerät, Zubehör, Einsätze usw. entsprechend diesen Anweisungen, und berücksichtigen Sie dabei die Arbeitsbedingungen und die auszuführende Arbeit.** Der Gebrauch von Geräten für andere als die vorgesehenen Anwendungen kann zu gefährlichen Situationen führen.

5. **Service**
- h. **Lassen Sie das Gerät nur von qualifiziertem Fachpersonal und nur mit Originalersatzteilen reparieren.** Damit wird gewährleistet, dass die Sicherheit des Gerätes erhalten bleibt.

Zusätzliche Sicherheitswarnungen für das Gerät

 **Achtung!** Zusätzliche Sicherheitswarnungen für Stichsäge.

- ◆ **Halten Sie das Gerät an den isolierten Griffflächen, wenn Sie Arbeiten durchführen, bei denen das Schneidwerkzeug verdeckte Leitungen oder das eigene Kabel berühren kann.** Wenn das Schneidwerkzeug eine stromführende Leitung berührt, können offen liegende Metallteile am Gerät ebenfalls unter Strom gesetzt werden und beim Bediener einen Stromschlag verursachen.
 - ◆ **Fixieren Sie das Werkstück mit Zwingen oder ähnlichen Hilfsmitteln auf einer stabilen Oberfläche.** Wenn Sie das Werkstück nur mit den Händen oder gegen Ihren Körper halten, können Sie leicht die Kontrolle verlieren.
 - ◆ **Halten Sie Ihre Hände von der Schneidzone fern.** Greifen Sie niemals unter das zu schneidende Werkstück. Bringen Sie Finger und Daumen nicht in die Nähe des sich bewegenden Sägeblattes und dessen Klemme. Versuchen Sie nicht, die Säge zu stabilisieren, indem Sie diese am Sägeschuh festhalten.
 - ◆ **Halten Sie die Sägeblätter scharf.** Stumpfe oder beschädigte Sägeblätter können dazu führen, dass die Säge unter Druck blockiert oder ausbricht. Verwenden Sie immer ein für das jeweilige Werkstück und die Art des Schnittes geeignetes Sägeblatt.
 - ◆ **Achten Sie beim Sägen von Rohren oder Leitungen darauf, dass diese frei von Wasser, Stromkabeln und Ähnlichem sind.**
 - ◆ **Unmittelbar nach Gebrauch der Säge sollten Sie weder das Werkstück noch das Sägeblatt berühren.** Beides kann sehr heiß werden.
 - ◆ **Achten Sie auch auf nicht sichtbare Gefahren, wenn Sie in Wände, Böden oder Decken sägen. Prüfen Sie diese Stellen auf dahinter liegende Kabel oder Rohre.**
 - ◆ **Das Sägeblatt bewegt sich auch dann noch, wenn Sie den Schalter losgelassen haben.** Schalten Sie das Gerät vor dem Ablegen stets aus, und warten Sie, bis das Sägeblatt zum Stillstand gekommen ist.
- Achtung!** Die Berührung und das Einatmen von Stäuben, die beim Sägen von Materialien entstehen, können beim Bediener und bei Zuschauern gesundheitliche Schäden

verursachen. Tragen Sie eine speziell für den Schutz vor Stäuben und Dämpfen vorgesehene Staubmaske, und stellen Sie sicher, dass auch andere Personen geschützt sind, die den Arbeitsplatz betreten oder sich dort aufhalten.

Der vorgesehene Verwendungszweck ist in dieser Anleitung beschrieben. Die Verwendung von Zubehör oder Anbauteilen, die nicht in dieser Anleitung empfohlen sind, sowie die Bedienung des Geräts in Abweichung von den in dieser Anleitung beschriebenen Verfahren kann zu Verletzungen und/oder Sachschäden führen.

Sicherheit anderer Personen

Dieses Gerät darf nicht von Personen (einschließlich Kindern) mit eingeschränkten körperlichen, sensorischen oder geistigen Fähigkeiten oder mangelnder Erfahrung und Wissen in Bezug auf dessen Gebrauch bedient werden, es sei denn, sie werden bei der Verwendung des Geräts von einer erfahrenen Person beaufsichtigt oder angeleitet.

Kinder müssen beaufsichtigt werden, um sicherzustellen, dass sie nicht mit dem Gerät spielen.

Vibration

Die im Abschnitt „Technische Daten und Konformitätserklärung“ angegebenen Werte für die Vibrationsemission wurden mit einer Standard-Prüfmethode nach EN 60745 ermittelt und können zum Vergleich verschiedener Geräte herangezogen werden. Außerdem kann mit Hilfe dieses Werts die Belastung bei Verwendung des Geräts schon im Voraus eingeschätzt werden.

Achtung!Die bei Verwendung des Geräts auftretende Vibrationsemission hängt von der Art des Gerätegebrauchs ab und kann dementsprechend vom angegebenen Wert abweichen. Gegebenenfalls kann die Vibration über dem angegebenen Wert liegen.

Mit Hilfe der ermittelten Werte der Vibrationsbelastung durch Elektrogeräte lassen sich Sicherheitsmaßnahmen festlegen, die gemäß 2002/44/EG zum Schutze von Personen bestimmt sind, die diese Geräte regelmäßig bei der Arbeit verwenden. Bei der Einschätzung der Vibrationsbelastung sollten die Gebrauchsumstände und die Art der Verwendung des Gerätes sowie alle Schritte des Arbeitszyklus berücksichtigt werden, wozu Ruhe-, Leerlauf- und Startzeiten gehören.

Warnsymbole am Gerät



Achtung!Lesen Sie vor Gebrauch die Anleitung durch. Andernfalls besteht Verletzungsgefahr.

Elektrische Sicherheit



Dieses Gerät ist schutzisoliert, daher ist keine Erdleitung erforderlich. Überprüfen Sie immer, ob die Netzspannung der auf dem Typenschild des Gerätes angegebenen Spannung entspricht.

Ist das Netzkabel beschädigt, muss es durch den Hersteller oder eine Black & Decker Vertragswerkstatt ausgetauscht werden, um eine mögliche Gefährdung zu vermeiden.

Zusätzliche Sicherheitshinweise für nicht aufladbare Batterien

Auf keinen Fall öffnen.

Nicht bei Temperaturen über 40 °C lagern.

Bei der Entsorgung von Batterien die Hinweise im Abschnitt „Umweltschutz“ beachten.

Batterien nicht ins Feuer werfen.

Unter extremen Bedingungen können Batterien undicht werden. Wenn Sie bemerken, dass Flüssigkeit austritt, gehen Sie folgendermaßen vor:

- Wischen Sie die Flüssigkeit vorsichtig mit einem Tuch ab. Vermeiden Sie Hautkontakt.

Zusätzliche Sicherheitshinweise für Laserprodukte



Lesen Sie diese Anleitung vollständig und aufmerksam durch.



Das Gerät darf nicht von Personen unter 16 Jahren verwendet werden.



Laserstrahlung.



Blicken Sie nicht in den Laserstrahl.



Blicken Sie nicht unter Verwendung optischer Hilfsmittel in den Laserstrahl.

Dieser Laser erfüllt die Richtlinien für Laserprodukte der Klasse 2 gemäß EN 60825-1:2007. Die Laserdiode des Gerätes darf nicht durch eine Diode anderen Typs ersetzt werden. Im Schadensfall darf der Laser nur durch eine autorisierte Vertragswerkstatt repariert werden.

Der Laser darf ausschließlich zum Projizieren einer Laserlinie verwendet werden.

Die Strahlung von Laserprodukten der Klasse 2 ist bei kurzzeitiger Einwirkungsdauer (bis zu 0,25 Sekunden) für das Auge ungefährlich. Eine längere Bestrahlung

wird normalerweise durch den natürlichen Lidschlussreflex verhindert. Ab einer Entfernung von 1 m erfüllt der Laser die Bedingungen für Laserprodukte der Klasse 1 und ist somit vollständig ungefährlich.

- ◆ Sehen Sie nie direkt und absichtlich in den Laserstrahl.
- ◆ Blicken Sie nicht unter Verwendung optischer Hilfsmittel in den Laserstrahl.
- ◆ Halten Sie das Gerät niemals so, dass die Augen anderer Personen dem Laserstrahl ausgesetzt sind.
- ◆ Achten Sie darauf, dass sich Kinder nicht in der Nähe des Lasers aufhalten.

Merkmale

1. Regler für Hubzahl
2. Ein-/Ausschalter
3. Feststellknopf
4. Abdeckung des Aufbewahrungsfachs
5. Verriegelungshebel für Grundplatte
6. Staubabsaugöffnung
7. Grundplatte
8. Führungsrolle für Sägeblatt
9. Pendelhubzahlregler

Zusatzfunktionen (Abb. A)

Die Verfügbarkeit der Zusatzfunktionen ist abhängig vom jeweiligen Produkt. Die Zusatzfunktionen für die Katalognummer des erworbenen Geräts finden Sie in Abb. A.

Montage

Achtung! Vergewissern Sie sich vor Ausführung der folgenden Schritte, dass das Gerät ausgeschaltet und vom Stromnetz getrennt ist, und dass das Sägeblatt zum Stillstand gekommen ist. Nach Verwendung der Stichsäge kann das Sägeblatt heiß sein.

Einsetzen und Entfernen des Sägeblatts (Abb. B und C)

Achtung! Vergewissern Sie sich vor Ausführung der folgenden Schritte, dass das Gerät ausgeschaltet und vom Stromnetz getrennt ist, und dass das Sägeblatt zum Stillstand gekommen ist. Nach Verwendung der Stichsäge kann das Sägeblatt heiß sein.

Einsetzen des Sägeblatts (Abb. B)

- ◆ Halten Sie das Sägeblatt (10) wie gezeigt mit den Zähnen nach vorne.
- ◆ Drücken Sie die Sägeblattklemme (11) nach unten, und halten Sie sie gedrückt.
- ◆ Setzen Sie den Schaft des Sägeblatts in den Sägeblatthalter (12) ein, und drücken Sie das Sägeblatt bis zum Anschlag hinein.
- ◆ Lassen Sie die Sägeblattklemme (11) los.

Aufbewahrung der Sägeblätter (Abb. C)

Die Sägeblätter (10) können im Aufbewahrungsfach (4) seitlich am Gerät aufbewahrt werden.

- ◆ Öffnen Sie die Abdeckung des Aufbewahrungsfachs (4), indem Sie mit der Fingerspitze hinter die Lasche am oberen Rand der Abdeckung greifen und die Abdeckung nach vorne aufklappen.
- ◆ Die Sägeblätter werden im Aufbewahrungsfach durch einen Magnetstreifen fixiert. Um ein Sägeblatt zu entnehmen, drücken Sie es an einer Seite nach unten und heben die andere Seite an.
- ◆ Schließen Sie die Abdeckung des Aufbewahrungsfachs (4) wieder, und achten Sie darauf, dass sie eingerastet ist.

Achtung! Das Aufbewahrungsfach muss sicher verschlossen sein, bevor Sie die Säge in Betrieb nehmen.

Anschließen eines Staubsaugers (Abb. D)

Zum Anschließen eines Staubsaugers oder einer Absaugvorrichtung ist ein Staubsaugeradapter (13) erforderlich.

- ◆ Schieben Sie den Adapter (13) in die Staubabsaugöffnung (6).
- ◆ Schließen Sie den Schlauch des Staubsaugers (14) am Adapter (13) an.

Staubgebläse (Abb. E)

- ◆ Um jederzeit eine sichtbare Schnittlinie und ein sauberes Arbeitsumfeld während des Sägens zu haben, ist Ihre Stichsäge mit einem Staubgebläse (15) ausgestattet.

Restrisiken

Für den Gebrauch dieses Geräts verbleiben zusätzliche Restrisiken, die möglicherweise nicht in den Sicherheitswarnungen genannt werden. Diese Risiken bestehen beispielsweise bei Missbrauch oder längerem Gebrauch.

Auch bei der Einhaltung der entsprechenden Sicherheitsvorschriften und der Verwendung aller Sicherheitsgeräte bestehen weiterhin bestimmte Restrisiken. Diese werden im Folgenden aufgeführt:

- ◆ Verletzungen, die durch das Berühren von sich drehenden/bewegenden Teilen verursacht werden.
- ◆ Verletzungen, die durch das Austauschen von Teilen, Messern oder Zubehör verursacht werden.
- ◆ Verletzungen, die durch längeren Gebrauch eines Geräts verursacht werden. Legen Sie bei längerem Gebrauch regelmäßige Pausen ein.
- ◆ Beeinträchtigung des Gehörs.

- ◆ Gesundheitsrisiken durch das Einatmen von Staub beim Gebrauch des Geräts (Beispielsweise bei Holzarbeiten, insbesondere Eiche, Buche und Pressspan).

Gebrauch

Schwenken der Grundplatte für Gehrungsschnitte (Abb. F und G)

Achtung! Betreiben Sie das Gerät nicht mit loser oder abgenommener Grundplatte.

Die Grundplatte (7) kann nach links und rechts bis zu einem Winkel von 45 ° geschwenkt werden.

- ◆ Ziehen Sie den Verriegelungshebel für die Grundplatte (5) heraus, um die Grundplatte (7) aus der Null-Grad-Position zu lösen.
- ◆ Ziehen Sie die Grundplatte (7) nach vorn, und stellen Sie den gewünschten Gehrungswinkel ein (15 °, 30 ° oder 45 °), der im Fenster angezeigt wird.
- ◆ Drücken Sie den Verriegelungshebel für die Grundplatte (5) wieder zum Gerät hin, um die Grundplatte (7) zu verriegeln.

So bringen Sie die Grundplatte (7) wieder in die Position für gerade Schnitte:

- ◆ Ziehen Sie den Verriegelungshebel für die Grundplatte (5) heraus, um die Grundplatte (7) zu entriegeln.
- ◆ Schwenken Sie die Grundplatte (7) zurück in die Ausgangsstellung (Winkel von 0°), und schieben Sie sie nach hinten.
- ◆ Drücken Sie den Verriegelungshebel für die Grundplatte (5) wieder zum Gerät hin, um die Grundplatte (7) zu verriegeln.

Festlegen des Pendelhubs (Abb. H)

- ◆ Stellen Sie den Pendelhubregler (9) auf die gewünschte Position.
- ◆ Position 0: Metall, Aluminium und Bleche.
- ◆ Position I: für Laminat, Hartholz und Arbeitsplatten.
- ◆ Position II: für Sperrholz und PVC/Kunststoffe.
- ◆ Position III: für Weichholz und schnelle Schnitte.

Regler für Hubzahl

- ◆ Stellen Sie den Regler für die Hubzahl auf die gewünschte Geschwindigkeit ein.
- ◆ Wählen Sie für Holz eine hohe, für Aluminium und PVC eine mittlere und für andere Metalle eine niedrige Geschwindigkeit.

Ein- und Ausschalten

- ◆ Drücken Sie zum Einschalten des Gerätes den Ein-/Ausschalter (2).
- ◆ Lassen Sie zum Ausschalten des Gerätes den Ein-/Ausschalter (4) los.

- ◆ Drücken Sie für das Arbeiten im Dauerbetrieb den Feststellknopf (3) und lassen den Ein-/Ausschalter (2) los.
- ◆ Wenn sich das Gerät im Dauerbetrieb befindet, müssen Sie zum Ausschalten den Ein-/Ausschalter (2) drücken und loslassen.

Sägen

Halten Sie beim Sägen das Gerät mit beiden Händen fest.

Die Grundplatte (7) sollte fest gegen das Werkstück gedrückt werden. Damit verhindern Sie ein Springen der Säge. Außerdem werden Vibrationen sowie das Bruchrisiko für das Sägeblatt verringert.

- ◆ Lassen Sie das Sägeblatt einige Sekunden frei schwingen, bevor Sie mit der Arbeit beginnen.
- ◆ Üben Sie beim Schneiden nicht zuviel Druck auf das Gerät aus.

Betrieb mit Laser (nur bei Gerätetyp „KS900EL“, Abb. I bis L)

Einsetzen der Batterien (Abb. I)

Nehmen Sie die Lasereinheit (17) von der Stichsäge ab. Drehen Sie dazu die Schraube (16) heraus, und ziehen Sie die Lasereinheit nach vorne ab. Setzen Sie zwei neue 1,5 Volt Alkalibatterien der Größe AAA (Micro) ein. Achten Sie auf die richtige Lage der positiven (+) und negativen (-) Anschlusspole. Bringen Sie die Lasereinheit (17) wieder an.

Seitliche Justierung des Lasers (Abb. J)

Hinweis: Der Laser unterstützt Sie beim Führen der Säge, garantiert aber keinen präzisen Schnitt.

Achtung! Ziehen Sie vor der Justierung des Lasers den Netzstecker.

- ◆ Richten Sie bei Bedarf Laserlinie und Sägeblatt mithilfe der Laserjustierschraube (18) aus.

Eine Überhitzung kann dazu führen, dass die projizierte Laserlinie schwächer wird. Wird die Säge längere Zeit mit zu hoher Last betrieben, verschwindet die Linie möglicherweise ganz. Sie wird wieder sichtbar, wenn sich das Gerät abkühlt (auch bei ausgeschaltetem und vom Stromnetz getrenntem Gerät).

Achtung! Lassen Sie im Fall einer Überhitzung den Laser nicht eingeschaltet. Schalten Sie ihn aus, und nehmen Sie die Batterien heraus, um seine Stromversorgung zu unterbrechen.

Verwenden des Lasers (Abb. K - L)

Der Laser projiziert die Schnittlinie (21) auf die Oberfläche des Werkstücks.

- ◆ Zum Einschalten des Lasers drücken Sie die Taste (19).

- ◆ Zum Ausschalten des Lasers drücken Sie erneut die Taste (19).

Wenn Sie von oben auf die Stichsäge blicken, können Sie der Schnittlinie (21) problemlos folgen. Ist die Sicht auf die Schnittlinie verdeckt, können Sie den Laser als Hilfe zur Schnittführung verwenden.

- ◆ Markieren Sie die Schnittlinie (20) mit einem geeigneten Stift.
- ◆ Richten Sie die Stichsäge über der Linie (20) aus.
- ◆ Schalten Sie den Laser ein.

Hinweise für optimale Funktion

Sägen von Laminat

Beim Sägen von Laminat kann die sichtbare Oberfläche splintern. Der Schnittvorgang der meisten Sägeblätter geschieht bei der Aufwärtsbewegung. Verwenden Sie deshalb, wenn sich die Grundplatte des Geräts auf der hochwertigen Oberfläche befindet, ein Sägeblatt, das bei der Abwärtsbewegung schneidet, oder:

- ◆ Verwenden Sie ein Sägeblatt mit feiner Zahnung.
- ◆ Drehen Sie das Werkstück um, und setzen Sie die Säge an der Unterseite an.
- ◆ Ausgefranste Kanten und Absplitterungen können Sie auch vermeiden, indem Sie das zu sägende Werkstück zwischen zwei Holz- oder Pressspanplatten einspannen und dieses „Sandwich“ sägen.

Sägen von Metall

Beim Sägen von Metall erfolgt der Vorschub wesentlich langsamer als bei Werkstücken aus Holz.

- ◆ Verwenden Sie ein Sägeblatt, das zum Sägen von Metall geeignet ist.
- ◆ Spannen Sie dünne Metallbleche zum Sägen auf eine Holz- oder Pressspanplatte.
- ◆ Bringen Sie einen dünnen Ölfilm entlang der beabsichtigten Schnittlinie auf.

Wartung

Ihr Black & Decker Gerät wurde im Hinblick auf eine lange Lebensdauer und einen möglichst geringen Wartungsaufwand entwickelt. Ein dauerhafter, einwandfreier Betrieb setzt eine regelmäßige Pflege und Reinigung voraus.

- ◆ Reinigen Sie regelmäßig die Lüftungsschlitze des Geräts mit Hilfe einer weichen Bürste oder eines trockenen Tuchs.
- ◆ Reinigen Sie regelmäßig das Motorgehäuse mit Hilfe eines feuchten Tuchs. Verwenden Sie keine scheuernden Reinigungsmittel oder Reinigungsmittel auf Lösungsmittelbasis. Achten Sie darauf, dass keine

Flüssigkeit in das Gerät gelangt. Tauchen Sie kein Teil des Gerätes in Flüssigkeit ein.

Umweltschutz



Getrennte Entsorgung. Dieses Produkt darf keinesfalls mit dem Hausmüll entsorgt werden.



Durch die separate Sammlung von ausgedienten Produkten und Verpackungsmaterialien können Rohstoffe recycelt und wiederverwendet werden. Die Wiederverwendung aufbereiteter Materialien trägt zur Vermeidung der Umweltverschmutzung bei und senkt den Rohstoffbedarf.

Die Verordnung zur Abfallentsorgung Ihrer Gemeinde sieht möglicherweise vor, dass Elektrogeräte getrennt vom Hausmüll gesammelt, an der örtlichen Abfallentsorgungseinrichtung abgegeben oder beim Kauf eines neuen Produkts vom Fachhandel zur Entsorgung angenommen werden müssen.

Black & Decker nimmt Ihre ausgedienten Black & Decker Geräte gern zurück und sorgt für eine umweltfreundliche Entsorgung bzw. Wiederverwertung. Um diese Dienstleistung in Anspruch zu nehmen, geben Sie das Gerät bitte bei einer autorisierten Reparaturwerkstatt ab, die für uns die Einsammlung übernimmt.

Die Adresse der zuständigen Niederlassung von Black & Decker steht in dieser Anleitung. Diese teilt Ihnen gerne die nächstgelegene Vertragswerkstatt mit. Außerdem ist eine Liste der Vertragswerkstätten und aller Kundendienststellen von Black & Decker sowie der zuständigen Ansprechpartner im Internet zu finden unter: www.2helpU.com.

Batterien



Denken Sie bei der Entsorgung von verbrauchten Akkus an unsere Umwelt.

- ◆ Achten Sie darauf, dass die Akkukontakte nicht kurzgeschlossen werden.

Werfen Sie Akku nicht in ein Feuer, da dies Verletzungen oder eine Explosion zur Folge haben kann.

Entladen Sie den Akku vollständig, und entfernen Sie ihn dann aus dem Gerät.

Akkus können recycelt werden. Verpacken Sie die Akkus in einem geeigneten Behälter, sodass die Akkukontakte nicht kurzgeschlossen werden können. Bringen Sie die Akkus zu einer autorisierten Vertragswerkstatt oder zu einer Rücknahmestelle in Ihrer Nähe.

EU-Konformitätserklärung RICHTLINIE FÜR MASCHINEN



KS900E, KS900EL

Black & Decker erklärt, dass die unter „Technische Daten“ beschriebenen Produkte den folgenden Normen entsprechen:
2006/42/EC, EN60745-1, EN60745-2-11

Weitere Informationen erhalten Sie von Black & Decker unter der folgenden Adresse bzw. mithilfe der Angaben auf der Rückseite dieser Anleitung.

Der Unterzeichnete ist verantwortlich für die Zusammenstellung der technischen Daten und gibt diese Erklärung im Namen von Black & Decker ab.

Kevin Hewitt
Vice-President Global Engineering
Black & Decker Europe,
210 Bath Road, Slough,
Berkshire, SL1 3YD
Großbritannien
14.02.2011

Garantie

Black & Decker vertraut auf die Qualität der eigenen Geräte und bietet dem Käufer eine außergewöhnliche Garantie. Diese Garantiezusage versteht sich unbeschadet der gesetzlichen Gewährleistungsansprüche und schränkt diese keinesfalls ein. Sie gilt in sämtlichen Mitgliedstaaten der Europäischen Union und der Europäischen Freihandelszone EFTA.

Tritt innerhalb von 24 Monaten ab Kaufdatum an einem Gerät von Black & Decker ein auf Material- oder Verarbeitungsfehler zurückzuführender Mangel auf, garantiert Black & Decker den Austausch defekter Teile, die Reparatur von Geräten mit üblichem Verschleiß bzw. den Austausch eines mangelhaften Gerätes, ohne dass dem Kunden dabei mehr als unvermeidlich Unannehmlichkeiten entstehen, allerdings vorbehaltlich folgender Ausnahmen:

wenn das Gerät gewerblich, beruflich oder im Verleihgeschäft benutzt wurde;

Technische Daten

	KS900E TYPE 1 KS900EL TYPE 1
Spannung	VAC 230
Aufnahmeleistung	W 600
Leerlaufdrehzahl	min ⁻¹ 800-3000
maximale Schnitttiefe	
Holz	mm 85
Stahl	mm 5
Aluminium	mm 15
Gewicht	kg 2,36
(mit Laser)	kg 2,66

Schalldruckpegel gemäß EN 60745:
Schalldruck (L_{pA}) 87 dB(A),
Unsicherheitsfaktor (K) 3 dB(A)
Schalleistung (L_{WA}) 98 dB(A),
Unsicherheitsfaktor (K) 3 dB(A)

Gesamtvibration (Triax-Vektorsumme) gemäß EN 60745:
Holzschnitten ($a_{h, CW}$) 10,5 m/s²,
Unsicherheitsfaktor (K) 1,5 m/s²
Metallschnitten ($a_{h, CM}$) 14,5 m/s²,
Unsicherheitsfaktor (K) 1,5 m/s²

- ◆ wenn das Gerät missbräuchlich verwendet oder mit mangelnder Sorgfalt behandelt wurde;
- ◆ wenn das Gerät durch irgendwelche Fremdeinwirkung beschädigt wurde;
- ◆ wenn ein unbefugter Reparaturversuch durch anderes Personal als das einer Vertragswerkstatt oder des Black & Decker Kundendienstes unternommen wurde.

Zur Inanspruchnahme dieser Garantie ist dem Verkäufer bzw. der Vertragswerkstatt ein Kaufnachweis vorzulegen. Die Adresse der zuständigen Niederlassung von Black & Decker steht in dieser Anleitung. Diese teilt Ihnen gerne die nächstgelegene Vertragswerkstatt mit. Außerdem ist eine Liste der Vertragswerkstätten und aller Kundendienststellen von Black & Decker sowie der zuständigen Ansprechpartner im Internet zu finden unter:

www.2helpU.com

Bitte besuchen Sie unsere Webseite

www.blackanddecker.de, um Ihr neues Black & Decker-Produkt zu registrieren und über neue Produkte und Sonderangebote informiert zu werden. Weitere Informationen über die Marke Black & Decker und unsere Produkte finden Sie unter **www.blackanddecker.de**.

Utilisation

Votre scie Black & Decker a été spécialement conçue pour scier du bois, du métal et du plastique. Cet outil a été conçu pour une utilisation exclusivement domestique.

Consignes de sécurité

Consignes de sécurité concernant les outils électroportatifs



Attention ! Lisez avec attention tous les avertissements et toutes les instructions. Le non-respect de cette consigne peut entraîner une électrocution, un incendie et/ou de graves blessures.

Conservez tous les avertissements et instructions pour référence ultérieure.

La notion d'« outil électroportatif » mentionnée par la suite se rapporte à des outils électriques raccordés au secteur (avec câble de raccordement) ou fonctionnant avec batterie (sans fil).

1. Sécurité de la zone de travail

- a. **Maintenez la zone de travail propre et bien éclairée.** Un lieu de travail en désordre ou mal éclairé augmente le risque d'accidents.
- b. **N'utilisez pas les outils électroportatifs dans un environnement présentant des risques d'explosion ni en présence de liquides, gaz ou poussières inflammables.** Les outils électroportatifs génèrent des étincelles risquant d'enflammer les poussières ou les vapeurs.
- c. **Pendant l'utilisation d'un outil électroportatif, les enfants et autres personnes doivent rester éloignés.** En cas d'inattention, vous risquez de perdre le contrôle de l'outil.

2. Sécurité électrique

- a. **La prise de l'outil électroportatif doit convenir à la prise de courant. Ne modifiez en aucun cas la prise. N'utilisez pas de prises d'adaptateur avec des appareils ayant une prise de terre.** Le respect de ces consignes réduit le risque de choc électrique.
- b. **Évitez le contact physique avec des surfaces mises à la terre telles que tuyaux, radiateurs, fours et réfrigérateurs.** Le risque de choc électrique augmente si votre corps est relié à la terre.
- c. **N'exposez pas l'outil électroportatif à la pluie ni à l'humidité.** La pénétration d'eau dans un outil électroportatif augmente le risque de choc électrique.

- d. **Préservez le câble d'alimentation. N'utilisez pas le câble pour porter l'outil, pour l'accrocher ou encore pour le débrancher. Maintenez le câble éloigné des sources de chaleurs, des parties huilées, des bords tranchants ou des parties de l'appareil en rotation.**

Le risque de choc électrique augmente si les câbles sont endommagés ou emmêlés.

- e. **Si vous utilisez l'outil électroportatif à l'extérieur, utilisez une rallonge homologuée pour utilisation à l'air libre.** L'utilisation d'une rallonge électrique homologuée pour les travaux à l'extérieur réduit le risque de choc électrique.
- f. **Si l'outil doit être utilisé dans un endroit humide, prenez les précautions nécessaires en utilisant un dispositif à courant résiduel (RCD).** L'utilisation d'un tel dispositif réduit les risques d'électrocution.

3. Sécurité personnelle

- a. **Restez vigilant, surveillez ce que vous faites. Faites preuve de bon sens quand vous utilisez un outil électroportatif. N'utilisez pas l'outil lorsque vous êtes fatigué ou après avoir consommé de l'alcool ainsi que des médicaments.** Un moment d'inattention lors de l'utilisation de l'outil peut entraîner de graves blessures.
- b. **Portez un équipement de protection. Portez toujours des lunettes de protection.** Selon le travail à effectuer, le port d'équipement de protection tels que masque anti-poussières, chaussures de sécurité antidérapantes, casque ou protection auditive, réduit le risque de blessures.
- c. **Évitez un démarrage imprévu. L'appareil doit être en position OFF (arrêt) avant d'effectuer le branchement à l'alimentation et/ou au bloc-batterie, de le ramasser ou de le porter.** Ne laissez pas votre doigt sur le bouton de commande, ceci peut être à l'origine d'accidents.
- d. **Retirez tout outil ou clé de réglage avant de mettre l'outil en marche.** Une clé ou un outil se trouvant sur une partie en rotation peut causer des blessures.
- e. **Adoptez une position confortable. Adoptez une position stable et gardez votre équilibre en permanence.** Vous contrôlerez ainsi mieux l'outil dans des situations inattendues.
- f. **Portez des vêtements appropriés. Ne pas porter de vêtements flottants ou de bijoux. N'approchez pas les cheveux, vêtements ou gants des parties des pièces mobiles.** Les vêtements amples, les bijoux ou les cheveux longs peuvent être attrapés dans les pièces en mouvement.

g. En cas d'utilisation d'appareils servant à aspirer ou à recueillir les poussières, assurez-vous qu'ils sont correctement raccordés et utilisés. L'utilisation de tels appareils permet de réduire les dangers liés aux poussières.

4. Utilisation des outils électroportatifs et précautions

a. **Respectez la capacité de l'outil. Utilisez l'outil électroportatif approprié pour le travail à effectuer.** Avec un outil approprié, vous travaillerez mieux et en toute sécurité.

b. **N'utilisez pas un outil électroportatif dont l'interrupteur marche/arrêt est défectueux.** Un outil électroportatif qui ne peut plus être mis en marche ou arrêté est dangereux et doit être réparé.

c. **Retirez la prise de courant et/ou débranchez le bloc-batterie avant d'effectuer des réglages, de changer les accessoires ou de ranger l'outil.** Cette mesure de précaution empêche de mettre l'outil en marche accidentellement.

d. **Rangez les outils électroportatifs hors de portée des enfants. Les personnes ne connaissant pas l'outil ou n'ayant pas lu ces instructions ne doivent en aucun cas l'utiliser.** Les outils électroportatifs sont dangereux lorsqu'ils sont utilisés par des personnes non initiées.

e. **Prenez soin des outils électroportatifs. Vérifiez que les parties en mouvement fonctionnent correctement et qu'elles ne sont pas coincées. Vérifiez qu'il n'y a pas de pièces cassées ou endommagées susceptibles de nuire au bon fonctionnement de l'outil. S'il est endommagé, faites réparer l'outil avant de l'utiliser.** De nombreux accidents sont la conséquence d'outils mal entretenus.

f. **Maintenez les outils de coupe aiguisés et propres.** Des outils soigneusement entretenus avec des bords tranchants bien aiguisés se coincent moins souvent et peuvent être guidés plus facilement.

g. **Utilisez les outils électroportatifs, les accessoires, etc. en suivant ces instructions et en tenant compte des conditions de travail, ainsi que du travail à effectuer.** L'utilisation des outils électroportatifs à d'autres fins que celles prévues peut vous mettre en situation dangereuse.

5. Réparations

h. **Faites réparer votre outil électroportatif uniquement par du personnel qualifié et seulement avec des pièces de rechange d'origine.** La fiabilité de l'outil sera ainsi garantie.

Consignes de sécurité supplémentaires concernant les outils électroportatifs



Attention ! Consignes de sécurité supplémentaires pour scies sauteuses.

- ♦ **Pour les découpes, tenez l'outil au niveau des surfaces de prise isolées. En effet, la lame risque de toucher un câblage caché ou le cordon d'alimentation de l'outil.** En touchant un fil sous tension, la charge électrique est transmise dans les parties métalliques de l'outil et il y a risque de choc électrique.
 - * **Utilisez des pinces ou autres pour fixer et soutenir la pièce de manière stable.** Si vous la tenez à la main ou contre votre corps, elle ne sera pas stable et vous pouvez en perdre le contrôle.
 - * **Éloignez vos mains des zones de découpe.** Ne cherchez jamais à atteindre la pièce à découper par dessous. Ne passez pas vos doigts ou pouces à proximité de la fixation de la lame et de la lame en mouvement. Ne cherchez pas à stabiliser la scie en attrapant la semelle.
 - * **Les lames doivent toujours être aiguisées.** Les lames émoussées ou endommagées peuvent faire déraiper ou bloquer la scie pendant le fonctionnement. Utilisez toujours le type approprié de lame correspondant au matériau de la pièce à couper.
 - * **Avant de couper un tuyau ou une conduite, assurez-vous qu'il n'y a ni eau, ni fil électrique, etc. autour.**
 - * **Ne touchez pas la pièce coupée ou la lame immédiatement après avoir utilisé l'outil.** Elles peuvent être très chaudes.
 - * **Prenez garde aux dangers cachés. Avant de couper des murs, des planchers ou des plafonds, vérifiez l'emplacement des câblages et tuyaux.**
 - * **Le mouvement de la lame continue après avoir relâché le bouton.** Après avoir arrêté la scie, attendez que la lame se stabilise complètement avant de poser l'outil.
- Attention !** Tout contact ou inhalation de poussières pendant la coupe peut représenter un danger pour la santé de l'opérateur ainsi, qu'éventuellement, des personnes autour. Portez un masque contre la poussière spécialement conçu pour vous protéger des sciures et des fumées toxiques et veillez à ce que les personnes se trouvant à l'intérieur de la zone de travail ou y pénétrant soient également protégées.
- * Ce manuel d'instruction décrit comment utiliser cet appareil. L'utilisation d'un accessoire ou d'une fixation, ou bien l'utilisation de cet appareil à d'autres fins que celles recommandées dans ce manuel d'instruction

peut entraîner des blessures et/ou des dommages matériels.

Sécurité pour autrui

Cet outil ne peut être utilisé par des personnes (y compris des enfants) ayant des capacités mentales, sensorielles ou physiques réduites, ou celles manquant d'expérience et de connaissances, à moins qu'elles ne soient encadrées ou qu'elles n'aient été formées à l'utilisation de l'outil par une personne responsable de leur sécurité. Ne laissez jamais les enfants sans surveillance pour éviter qu'ils ne jouent avec cet outil.

Vibration

La valeur d'émission de vibration déclarée dans la section Déclaration/Données techniques de conformité a été mesurée selon une méthode d'essai standard fournie par la norme EN 60745 et peut être utilisée pour comparer un outil à un autre. Elle peut aussi être utilisée pour une évaluation préliminaire à l'exposition.

Attention Selon la manière dont l'outil est utilisé, la valeur d'émission de vibration pendant l'utilisation en cours de l'outil peut être différente de la valeur déclarée. Le niveau de vibration peut augmenter au-dessus du niveau établi.

Quand l'exposition aux vibrations est évaluée afin de déterminer les mesures de sécurité requises par la norme 2002/44/EC pour protéger les personnes utilisant régulièrement des outils électroportatifs, une estimation de l'exposition aux vibrations doit tenir compte des conditions actuelles d'utilisation et de la manière dont l'outil est utilisé. Il faut aussi tenir compte de toutes les pièces du cycle de fonctionnement comme la durée pendant laquelle l'outil est arrêté et quand il fonctionne au ralenti, ainsi que la durée du déclenchement.

Étiquettes sur les outils



Attention Pour réduire le risque de blessures, l'utilisateur doit lire les instructions du manuel.

Sécurité électrique



Cet outil est doublement isolé; par conséquent, aucun câble de masse n'est nécessaire. Vérifiez si l'alimentation mentionnée sur la plaque signalétique de l'appareil correspond bien à la tension présente sur le lieu.

Si le câble d'alimentation est endommagé, il doit être remplacé par le fabricant ou par un centre de réparation agréé Black & Decker pour éviter tout risque.

Consignes de sécurité supplémentaires pour piles non-rechargeables

En aucun cas, n'essayez d'ouvrir l'appareil.

Ne le rangez pas dans des endroits où la température peut dépasser 40 °C.

Pour jeter les batteries, suivez les instructions données dans la section « Protection de l'environnement ».

Ne jetez pas les piles au feu.

Dans des conditions extrêmes, une pile peut couler.

Si vous repérez des traces de liquide sur les piles, effectuez ce qui suit :

- Avec un chiffon, essuyez le liquide en prenant toutes les précautions nécessaires. Éviter tout contact avec la peau.

Consignes de sécurité supplémentaires pour utilisation du laser



Lisez attentivement le manuel complet.



Cet appareil ne doit pas être utilisé par des enfants de moins de 16 ans.



Rayonnement laser.



Ne jamais regarder le faisceau à l'œil nu.



Ne jamais utiliser d'instrument d'optique pour regarder le faisceau.

Ce laser est conforme aux normes de sécurité EN 60825-1:2007 de classe 2. Ne jamais remplacer une diode laser par une diode d'un type différent.

Si le laser est endommagé, faites le réparer par un réparateur agréé.

N'utilisez jamais le laser à des fins autres que la projection de raies laser.

La vision directe du rayon laser de classe 2 n'est pas considérée comme dangereuse jusqu'à 0,25 secondes.

La protection de l'œil est normalement assurée par le réflexe de clignement. À plus de 1m, le rayonnement laser correspond au laser de classe 1 et ne présente aucun risque.

Ne jamais regarder directement et volontairement le rayon laser.

Ne jamais utiliser d'instrument d'optique pour regarder le faisceau.

Installez l'outil en prenant soin d'éviter que le rayon laser ne puisse atteindre personne à la hauteur de la tête.

Ne laissez pas les enfants approcher du laser.

Options

1. Bouton de commande de variation de vitesse
2. Manette marche/arrêt
3. Bouton de verrouillage
4. Couvercle du boîtier de rangement des lames
5. Levier de verrouillage de semelle
6. Sortie de refoulement de poussière
7. Semelle
8. Rouleau de support de lame
9. Sélecteur de balancier

Options supplémentaires (figure A)

Des options supplémentaires peuvent exister en fonction de l'appareil acheté. Ces options accompagnées du numéro de catalogue sont représentées dans la figure A.

Assemblage

Attention ! Avant d'exécuter ce qui suit, assurez-vous que l'appareil est éteint, débranché et que la lame n'est plus en mouvement. Les lames, après utilisation, peuvent être chaudes.

Mise en place et retrait de la lame de scie (figure B et C)

Attention ! Avant d'exécuter ce qui suit, assurez-vous que l'appareil est éteint, débranché et que la lame n'est plus en mouvement. Les lames, après utilisation, peuvent être chaudes.

Mise en place de la lame (figure B)

- * Maintenez la lame (10) comme indiqué, avec les dents orientées vers l'avant.
- * Poussez et maintenez la fixation de lame (11).
- * Insérez la tige de la lame dans le support de lame (12) le plus loin possible.
- * Relâchez la fixation de lame (11).

Rangement de la lame (figure C)

Les lames de scie (10) peuvent être rangées dans le boîtier de rangement (4) sur le côté de l'outil.

- * Ouvrez le couvercle du boîtier de rangement (4) en poussant la patte sur le haut du couvercle vers l'extérieur.
- * Les lames sont maintenues dans le compartiment par une bande magnétique. Appuyez sur une extrémité de la lame pour soulever l'autre extrémité et la retirer.
- * Fermez le couvercle du boîtier de rangement (4) et vérifiez le verrouillage.

Attention ! Fermez correctement le couvercle avant d'utiliser la scie.

Raccordement d'un aspirateur à l'outil (figure D)

Il faut un adaptateur (13) pour connecter l'aspirateur ou le récupérateur de poussière à l'outil.

- * Poussez l'adaptateur (13) dans la sortie de refoulement de poussière (6).
- * Raccordez le tuyau d'aspirateur (14) à l'adaptateur (13).

Soufflante (figure E)

- * Pour que la visibilité soit toujours parfaite pendant la coupe, votre scie est équipée d'une soufflante (15) qui évacue la poussière de la zone de travail tout en sciant.

Risques résiduels

L'utilisation d'un outil non mentionné dans les consignes de sécurité données peut entraîner des risques résiduels supplémentaires. Ces risques peuvent survenir si l'outil est mal utilisé, si l'utilisation est prolongée, etc.

Malgré l'application des normes de sécurité correspondantes et la présence de dispositifs de sécurité, les risques résiduels suivants ne peuvent être évités. Ceci comprend :

- ◆ Les blessures dues au contact avec une pièce mobile/ en rotation.
- ◆ Les blessures causées en changeant des pièces, lames ou accessoires.
- ◆ Les blessures dues à l'utilisation prolongée d'un outil. Une utilisation prolongée de l'outil nécessite des pauses régulières.
- ◆ Déficience auditive.
- ◆ Risques pour la santé causés par l'inhalation de poussières produites pendant l'utilisation de l'outil (exemple : travail avec du bois, surtout le chêne, le hêtre et les panneaux en MDF).

Utilisation

Réglage de semelle pour coupe en biais (figure F et G)

Attention ! N'utilisez jamais l'outil sans la semelle, ou si celle-ci est desserrée.

La semelle (7) peut être réglée pour un angle de biseau gauche ou droit allant jusqu'à 45 °.

- * Tirez le levier de verrouillage de la semelle (5) vers l'extérieur pour déverrouiller la semelle (7) de la position 0 °.
- * Tirez la semelle (7) vers l'avant et réglez le biseau sur 15 °, 30 ° et 45 ° comme indiqué.
- * Repoussez le levier de verrouillage (5) vers la scie pour verrouiller la semelle (7).

Pour remettre la semelle (7) en position de coupe droite :

- * Tirez le levier de verrouillage (5) vers l'extérieur pour déverrouiller la semelle (7).
- * Installez la semelle (7) dans un angle d'environ 0 °, puis poussez-la vers l'arrière.
- * Repoussez le levier de verrouillage (5) vers la scie pour verrouiller la semelle (7).

Réglage du balancier (figure H)

- * Sélectionnez la position requise sur le sélecteur de balancier (9).
- * Position 0 : métal et aluminium et tôle.
- * Position I : aggloméré, bois dur, plans de travail.
- * Position II : contreplaqué et plastique/PVC.
- * Position III : bois tendre et coupe rapide.

Commande de variation de vitesse

- * Réglez le bouton de commande de variation de vitesse (1) à la vitesse désirée.
- * La vitesse rapide correspond à la coupe du bois, la vitesse moyenne à la coupe de l'aluminium et du PVC et la faible vitesse à la coupe des métaux autres que l'aluminium.

Démarrer et arrêter

- * Pour mettre l'outil en marche, appuyez sur le bouton marche/arrêt (2).
- * Pour arrêter l'outil, relâchez le bouton marche/arrêt (2).
- * Pour une coupe continue, appuyez sur le bouton de verrouillage (3) et relâchez le bouton marche/arrêt (2).
- * Pour arrêter l'outil pendant une coupe continue, appuyez puis relâchez le bouton marche/arrêt (2).

Scier

Tenez fermement l'outil avec les deux mains pendant la découpe.

La semelle (7) doit s'appuyer fermement contre la pièce à découper. Ceci permet d'éviter les sursauts de la scie, de réduire les vibrations et de diminuer la casse des lames.

- * Laissez la lame fonctionner librement pendant quelques secondes avant de commencer la découpe.
- * N'appliquez qu'une légère pression sur l'outil pendant la découpe.

Utilisation du laser (figure I - L)(référence KS900EL uniquement)

Installation des piles (figure I)

Dévissez la vis (16) et retirez le module laser (17) en le tirant vers l'avant. Insérez dans le bon sens, (+) et (-), les deux nouvelles piles 1,5 V AAA. Refixez le module laser (17).

Réglage du laser (figure J)

Remarque : le laser facilite le travail de coupe mais ne garantit pas la précision.

Attention ! N'ajustez pas le laser avec la scie sauteuse branchée.

- * Utilisez la vis de réglage (18) sur le module laser pour aligner la ligne laser avec la lame, si nécessaire.

Le laser sera moins visible en cas de surchauffe de la scie. Le laser peut être invisible si la scie est en surcharge

pendant une période prolongée. Il réapparaît progressivement quand l'outil refroidit, même quand l'outil est débranché.

Attention ! Ne pas laisser un laser surchauffé en marche. Assurez-vous que l'interrupteur est en position OFF (arrêt) et retirez les piles pour ne plus alimenter le laser.

Fonctionnement du laser (figure K - L)

Le laser projette la ligne de coupe (21) sur la surface de la pièce.

- * Pour mettre le laser en marche, appuyez sur le bouton (19).
- * Pour arrêter le laser, appuyez de nouveau sur le bouton (19).

En regardant directement au-dessus de la scie, il est facile de suivre la ligne de coupe (21). Si, pour une raison quelconque le rayon n'est pas visible, le laser peut être utilisé comme guide de coupe auxiliaire.

- * Utilisez un crayon pour repérer la ligne de coupe (20).
- * Positionnez la scie sur la ligne (20).
- * Mettez en marche le laser.

Conseils pour une utilisation optimale

Coupe de contreplaqué

Les éclats dus à la découpe du contreplaqué, peuvent endommager la surface apparente. La plupart des lames coupent en montant. Si la semelle est posée sur la surface apparente, utilisez une lame qui coupe en descendant ou :

- * Utilisez une lame à dents fines.
- * Sciez à partir de l'arrière de la pièce.
- * Pour limiter les éclats, serrez un morceau de bois ou de panneau dur des deux côtés de la pièce et sciez à travers cette épaisseur.

Coupe du métal

Scier du métal prend beaucoup plus de temps que de scier du bois.

- * Utilisez une lame adaptée à la coupe de métal.
- * Pour couper une fine épaisseur de métal, serrez une pièce de bois à l'arrière de la pièce à couper et sciez à travers l'épaisseur.
- * Appliquez un filet d'huile le long de la ligne de coupe.

Entretien

Votre outil Black & Decker a été conçu pour fonctionner pendant longtemps avec un minimum d'entretien. Un fonctionnement continu satisfaisant dépend d'un nettoyage régulier et d'un entretien approprié de l'outil.

- * Nettoyez régulièrement les orifices de ventilation de votre outil à l'aide d'une brosse souple ou d'un chiffon sec.

- * Nettoyez régulièrement le compartiment du moteur à l'aide d'un chiffon humide. N'utilisez pas de produit abrasif ou à base de solvant. Évitez toute pénétration de liquide dans l'outil et ne plongez aucune pièce dans du liquide.

Protection de l'environnement



Recyclage. Cet appareil ne doit pas être jeté avec les déchets ménagers.

Si votre appareil Black & Decker doit être remplacé ou si vous n'en avez plus l'usage, ne le jetez pas avec les ordures ménagères. Songez à la protection de l'environnement et recyclez-les.



La collecte séparée des produits et des emballages usagés permet de recycler et de réutiliser des matériaux. La réutilisation de matériaux recyclés évite la pollution de l'environnement et réduit la demande de matières premières.

Des réglementations locales peuvent stipuler la collecte séparée des produits électriques et des produits ménagers, dans des déchetteries municipales ou par le revendeur lorsque vous achetez un nouveau produit.

Black & Decker offre une solution permettant de recycler les produits Black & Decker lorsqu'ils ont atteint la fin de leur cycle de vie. Pour pouvoir profiter de ce service, veuillez retourner votre produit à un réparateur agréé qui se chargera de le collecter pour nous.

Pour connaître l'adresse du réparateur agréé le plus proche de chez vous, contactez le bureau Black & Decker à l'adresse indiquée dans ce manuel. Vous pourrez aussi trouver une liste de réparateurs agréés de Black & Decker et de plus amples détails concernant notre service après-vente sur le site Internet : www.2helpU.com.

Batteries



Quand les batteries sont hors d'usage, jetez-les en respectant les normes de protection de l'environnement.

- ◆ Ne court-circuitez pas les bornes de la batterie.
- ◆ Ne jetez pas la ou les batteries dans le feu, elles pourraient exploser ou être à l'origine d'un risque de blessure.

- ◆ Déchargez complètement la batterie, puis retirez-la de l'appareil.
- * Les batteries sont recyclables. Placez la ou les batteries dans un emballage approprié pour éviter un court-circuit des bornes. Déposez-les chez un technicien d'entretien agréé ou dans un centre de recyclage local.

Caractéristiques techniques

	KS900E TYPE 1 KS900EL TYPE 1
Tension	V c.a. 230
Puissance nominale	W 600
Aucune vitesse de charge	min ⁻¹ 800-3000
Profondeur maximum de coupe	
Bois	mm 85
Acier	mm 5
Aluminium	mm 15
Poids	kg 2,36
(avec laser)	kg 2,66

Niveau de pression sonore selon la norme EN 60745 :
Pression sonore (L_{pA}) 87 dB(A), incertitude (K) 3 dB(A)
Puissance sonore (L_{WA}) 98 dB(A), incertitude (K) 3 dB(A)

Valeurs totales des vibrations (somme vectorielle triaxiale) selon la norme EN 60745 :
Coupe, bois ($a_{h, CW}$) 10,5 m/s², incertitude (K) 1,5 m/s²
Coupe, métal ($a_{h, CM}$) 14,5 m/s²,
incertitude (K) 1,5 m/s²

Déclaration de conformité CE DIRECTIVES DE MACHINERIE



KS900E, KS900EL

Black & Decker déclare que les produits décrits sur la fiche technique sont conformes à la norme :
2006/42/EC, EN60745-1, EN60745-2-11

Pour plus de renseignements, veuillez contacter Black & Decker à l'adresse suivante ou reportez-vous au dos du manuel.

Le soussigné est responsable des données de la fiche technique et fait cette déclaration au nom de Black & Decker

Kevin Hewitt
Vice-President Global Engineering
Black & Decker Europe,
210 Bath Road, Slough,
Berkshire, SL1 3YD
Royaume-Uni
14-02-2011

Garantie

Black & Decker vous assure la qualité de ses produits et vous offre une garantie très étendue. Ce certificat de garantie est un document supplémentaire et ne peut en aucun cas se substituer à vos droits légaux. La garantie est valable sur tout le territoire des États Membres de l'Union Européenne et de la Zone de Libre Échange Européenne.

Si un produit Black & Decker s'avère défectueux en raison de matériaux en mauvais état, d'une erreur humaine, ou d'un manque de conformité dans les 24 mois suivant la date d'achat, Black & Decker garantit le remplacement des pièces défectueuses, la réparation des produits usés ou cassés ou remplace ces produits à la convenance du client, sauf dans les circonstances suivantes :

Le produit a été utilisé dans un but commercial, professionnel, ou a été loué.

Le produit a été mal utilisé ou avec négligence.

Le produit a subi des dommages à cause de corps étrangers, de substances ou d'accidents.

Des réparations ont été tentées par des techniciens ne faisant pas partie du service technique de Black & Decker.

Pour avoir recours à la garantie, il est nécessaire de fournir une preuve d'achat au vendeur ou à un réparateur agréé. Pour connaître l'adresse du réparateur agréé le plus proche de chez vous, contactez le bureau Black & Decker à l'adresse indiquée dans ce manuel. Vous pourrez aussi trouver une liste de réparateurs agréés de Black & Decker et de plus amples détails sur notre service après-vente sur le site Internet à l'adresse suivante :

www.2helpU.com

Visitez notre site Web www.blackanddecker.fr pour enregistrer votre nouveau produit Black & Decker et être informé des nouveaux produits et des offres spéciales. Pour plus d'informations concernant la marque Black & Decker et notre gamme de produits, consultez notre site www.blackanddecker.fr

Uso previsto

Il seghetto da traforo Black & Decker è stato progettato per segare legno, plastica e metallo. L'elettrotensile è stato progettato per un uso individuale.

Istruzioni di sicurezza

Avvisi di sicurezza generici per gli elettrotensili



Attenzione! Leggere tutti gli avvisi di sicurezza e tutte le istruzioni. La mancata osservanza di tutte le istruzioni potrebbe causare scosse elettriche, incendi e/o infortuni gravi.

Conservare tutte le istruzioni e le avvertenze per futura consultazione.

Il termine "elettrotensile" che ricorre in tutte le avvertenze seguenti si riferisce ad utensili elettrici con o senza filo.

1. **Sicurezza nella zona di lavoro**
 - a. **Mantenere pulita e bene illuminata l'area di lavoro.**
Il disordine e la scarsa illuminazione possono causare incidenti.
 - b. **Evitare d'impiegare gli elettrotensili in ambienti esposti al rischio di esplosione, ad esempio in presenza di liquidi, gas o polveri infiammabili.** Gli elettrotensili producono scintille che possono far infiammare la polvere o i fumi.
 - c. **Mantenere lontani bambini ed astanti mentre si usa l'elettrotensile.** Eventuali distrazioni possono comportare la perdita del controllo dell'elettrotensile.
2. **Sicurezza elettrica**
 - a. **Le spine elettriche degli elettrotensili devono essere adatte alla presa. Evitare assolutamente di modificare la spina. Non impiegare spine adattatrici con elettrotensili provvisti di messa a terra.** L'uso di spine inalterate e delle prese corrispondenti riduce il rischio di scosse elettriche.
 - b. **Evitare il contatto fisico con superfici collegate a terra, come tubi, radiatori, forni e frigoriferi.** Un corpo collegato a terra è esposto maggiormente al rischio di scosse elettriche.
 - c. **Custodire gli elettrotensili al riparo dalla pioggia o dall'umidità.** L'eventuale infiltrazione di acqua in un elettrotensile va ad aumentare il rischio di scosse elettriche.
 - d. **Non esporre il cavo a sollecitazioni. Non usare il cavo per trasportare o trainare l'elettrotensile e non tirarlo per estrarre la spina dalla presa di corrente. Mantenere il cavo al riparo dal calore, da bordi taglienti e/o da parti in movimento.** I cavi danneggiati o aggrovigliati aumentano il rischio di scosse elettriche.
 - e. **Se l'elettrotensile viene adoperato all'aperto, usare esclusivamente prolunghe omologate per l'impiego all'esterno.** Un cavo adatto per uso esterno riduce il rischio di scosse elettriche.
 - f. **Se non è possibile evitare di lavorare in una zona umida, usare un'alimentazione elettrica protetta da un dispositivo a corrente residua (RCD).** L'uso di un dispositivo RCD riduce il rischio di scosse elettriche.
3. **Sicurezza delle persone**
 - a. **È importante concentrarsi su ciò che si sta facendo e maneggiare con giudizio l'elettrotensile. Non adoperare l'elettrotensile se si è stanchi o sotto l'effetto di stupefacenti, alcol o medicinali.** Un attimo di distrazione durante l'uso dell'elettrotensile può causare gravi infortuni personali.
 - b. **Utilizzo di un equipaggiamento di protezione personale. Indossare sempre degli occhiali di sicurezza.** Se si avrà cura d'indossare l'equipaggiamento protettivo come necessario, ad esempio una maschera antipolvere, delle calzature antiscivolo, un casco o delle otoprotezioni, si riduce il rischio di infortuni.
 - c. **Impedire l'avviamento involontario. Accertarsi che l'interruttore di accensione sia regolato su spento prima di collegare l'elettrotensile all'alimentazione elettrica e/o al battery pack, di prenderlo in mano o di trasportarlo.** Per non esporsi al rischio di incidenti, non trasportare gli elettrotensili tenendo le dita sull'interruttore oppure, se sono collegati a un'alimentazione elettrica, con l'interruttore acceso.
 - d. **Prima di accendere un elettrotensile, togliere eventuali chiavi o attrezzi di regolazione.** Un attrezzo o una chiave lasciati in un componente mobile dell'elettrotensile possono causare lesioni.
 - e. **Non sporgersi. Mantenere sempre un buon equilibrio evitando posizioni malsicure.** In questo modo è possibile controllare meglio l'elettrotensile in situazioni inaspettate.
 - f. **Vestirsi adeguatamente. Evitare di indossare indumenti larghi o gioielli. Tenere capelli, vestiti e guanti lontani da pezzi in movimento.** Vestiti larghi, gioielli o capelli lunghi possono impigliarsi nelle parti in movimento.
 - g. **Se gli elettrotensili sono provvisti di attacchi per il collegamento di dispositivi di aspirazione o di raccolta della polvere, assicurarsi che questi siano installati e utilizzati correttamente.** L'impiego di tali dispositivi può ridurre i rischi correlati alle polveri.

4. Uso e cura degli elettroutensili

- a. **Non sovraccaricare l'elettroutensile. Usare l'elettroutensile adatto per il lavoro da eseguire.**
Utilizzando l'elettroutensile adatto si potrà lavorare meglio e con maggiore sicurezza alla potenza nominale prevista.
 - b. **Non utilizzare elettroutensili con interruttori difettosi.** Un elettroutensile che non può essere controllato mediante l'interruttore è pericoloso e deve essere riparato.
 - c. **Scollegare la spina dalla presa di corrente e/o il battery pack dall'elettroutensile prima di regolarlo o di riporlo oppure di sostituire gli accessori.** Queste precauzioni di sicurezza riducono le possibilità che l'elettroutensile venga messo in funzione inavvertitamente.
 - d. **Quando non vengono usati, gli elettroutensili devono essere custoditi fuori della portata dei bambini. Non consentire l'uso dell'elettroutensile a persone inesperte o che non abbiano letto le presenti istruzioni.** Gli elettroutensili risultano pericolosi se usati da persone inesperte.
 - e. **Sottoporre gli elettroutensili alle necessarie procedure di manutenzione.** Verificare che le parti mobili siano bene allineate e non inceppate, che non vi siano componenti rotti e che non sussistano altre condizioni che possano compromettere il funzionamento dell'elettroutensile. In caso di danni, riparare l'elettroutensile prima dell'uso. La scarsa manutenzione causa molti incidenti.
 - f. **Mantenere affilati e puliti gli utensili da taglio.** Se sottoposti alla giusta manutenzione, gli utensili da taglio con taglienti affilati s'inceppano meno frequentemente e sono più facili da manovrare.
 - g. **Utilizzare l'elettroutensile, gli accessori e le punte in conformità delle presenti istruzioni, tenendo conto delle condizioni di lavoro e del lavoro da completare.** L'impiego degli elettroutensili per usi diversi da quelli consentiti può dar luogo a situazioni pericolose.
5. Riparazioni
- h. **Fare riparare l'elettroutensile solo ed esclusivamente da personale specializzato e solo impiegando pezzi di ricambio originali, onde non alterarne la sicurezza.**

Adizionali avvisi di sicurezza per gli elettroutensili



Attenzione! Ulteriori avvisi di sicurezza per i segchetti da traforo.

- ◆ **Tenere l'elettroutensile afferrandone l'impugnatura provvista di materiale isolante quando vi è la possibilità che la lama possa venire a contatto di cavi nascosti o del filo di alimentazione.** Il contatto tra la lama e un filo sotto tensione, mette sotto tensione anche le parti metalliche esposte dell'elettroutensile e potrebbe esporre l'operatore a scosse elettriche.
- ◆ **Usare morsetti o altri metodi pratici per fissare e sorreggere il pezzo su di una piattaforma stabile. Un pezzo tenuto dalla mano o contro il corpo, può diventare poco stabile e causare la perdita di controllo.**
- ◆ **Tenere le mani lontane dalla zona di taglio.** Non allungare mai le mani sotto il pezzo. Non infilare le dita o il pollice in prossimità della lama alternativa e del blocco lama. Non stabilizzare il seghetto afferrando la guida.
- ◆ **Tenere affilate le lame.** Delle lame spuntate o danneggiate possono causare la deviazione o lo spegnimento del seghetto sotto sforzo. Usare sempre il corretto tipo di lama per il materiale da tagliare.
- ◆ **Quando si taglia un tubo o una conduttura, accertarsi sempre che al loro interno non vi siano acqua o fili elettrici.**
- ◆ **Non toccare il pezzo o la lama subito dopo aver fatto funzionare l'elettroutensile,** dato che potrebbero essere molto caldi.
- ◆ **Essere consapevoli che vi possono essere dei pericoli nascosti: prima di praticare tagli in pareti, pavimenti o soffitti, controllare l'ubicazione di cablaggi e tubazioni.**
- ◆ **La lama continua a muoversi dopo aver rilasciato l'interruttore.** Prima di appoggiare l'elettroutensile, spegnerlo e attendere che la lama si fermi completamente.

Attenzione! Il contatto o l'inalazione della polvere generata dal taglio potrebbero nuocere alla salute dell'operatore e di eventuali astanti. Indossare una mascherina antipolvere specifica per polveri e fumi e controllare che anche le persone presenti o in arrivo nell'area di lavoro siano adeguatamente protette.

- ◆ L'uso previsto è descritto nel presente manuale d'uso. L'uso di questo elettroutensile con accessori o altre parti montate oppure per scopi diversi da quelli raccomandati nel presente manuale, potrebbe essere causa di lesioni personali e/o danni materiali.

Sicurezza altrui

- ◆ Questo elettroutensile non è stato progettato per impiego da parte di persone (o bambini) portatrici di handicap fisici, psichici o sensoriali o che non abbiano la dovuta esperienza o conoscenza, a meno che non siano seguite o opportunamente istruite sul suo

impiego da parte di una persona responsabile della loro sicurezza.

Controllare che i bambini non giochino con l'elettrotensile.

Vibrazioni

I valori dichiarati delle emissioni di vibrazioni al paragrafo Dati tecnici e Dichiarazione di conformità del presente manuale, sono stati misurati in base al metodo di test standard previsto dalla normativa EN 60745 e possono essere usati come paragone tra un attrezzo e un altro. Il valore delle emissioni di vibrazioni dichiarato può anche essere usato come valutazione preliminare dell'esposizione.

Attenzione! Il valore delle emissioni di vibrazioni durante l'impiego effettivo dell'elettrotensile può variare da quello dichiarato a seconda di come l'attrezzo viene usato. Il livello delle vibrazioni può aumentare oltre il livello dichiarato.

Quando si valuta l'esposizione alle vibrazioni per determinare le misure di sicurezza richieste, in conformità alla normativa 2002/44/CE, onde proteggere le persone che usano regolarmente gli elettrotensili ai fini delle mansioni svolte, è necessario prendere in considerazione le condizioni effettive di utilizzo e il modo in cui l'attrezzo è usato, oltre a tenere in conto tutte le componenti del ciclo operativo, vale a dire i periodi in cui l'elettrotensile è spento, quando è acceso, ma a riposo e quando è effettivamente utilizzato.

Etichette sugli elettrotensili



Attenzione Per ridurre il rischio di lesioni, l'utente deve leggere la guida all'uso.

Sicurezza elettrica



Il doppio isolamento di cui è provvisto l'elettrotensile rende superfluo il filo di terra. Controllare sempre che l'alimentazione corrisponda alla tensione indicata sulla targhetta delle caratteristiche.

In caso di danneggiamento del filo di alimentazione, è necessario farlo riparare dal fabbricante o presso un centro assistenza Black & Decker autorizzato in modo da evitare eventuali pericoli.

Istruzioni di sicurezza supplementari per le batterie non ricaricabili

Non tentare di aprirle per qualsiasi ragione.

Non riporre in luoghi dove la temperatura potrebbe superare i 40°C.

Quando si smaltiscono le batterie, seguire le istruzioni riportate al capitolo "Protezione dell'ambiente".

Non incenerire le batterie.

In condizioni estreme, si potrebbe verificare la perdita di liquido dalle batterie. In tali circostanze, procedere come descritto di seguito:

- Asportare il liquido usando un panno. Evitare il contatto con l'epidermide.

Ulteriori precauzioni di sicurezza per i laser



Leggere attentamente questo manuale nella sua totalità.



Il presente prodotto non deve essere usato da bambini di età inferiore ai 16 anni.



Radiazione laser.



Non guardare direttamente verso il raggio laser.



Non usare attrezzi ottici per osservare il raggio laser.

Questo laser è conforme alla Categoria 2 della normativa EN 60825-1:2007. Non sostituire un diodo laser con uno di tipo diverso. Se il laser è danneggiato, farlo riparare da un tecnico autorizzato.

Non usare il laser per scopi diversi dalla proiezione di linee laser.

L'esposizione di un occhio a un raggio laser di Categoria 2 viene considerata sicura per un periodo massimo di 0,25 secondi. I riflessi delle palpebre forniscono di solito un'adeguata protezione. A distanze superiori al metro, il laser è conforme alla normativa della Categoria 1 ed è quindi completamente sicuro. Non guardare mai intenzionalmente verso il raggio laser. Non usare attrezzi ottici per osservare il raggio laser. Non approntare l'attrezzo in modo che il raggio laser possa incrociare altre persone all'altezza della testa. Non lasciare che i bambini si avvicinino al raggio laser.

Caratteristiche

1. Manopola comando velocità variabile
2. Interruttore di accensione
3. Pulsante di bloccaggio
4. Coperchio vano portalama
5. Leva di bloccaggio piedino scorrimento lama
6. Apertura d'estrazione polvere
7. Piedino scorrimento lama
8. Rullo di supporto lama seghetto
9. Selettore corsa a pendolo

Caratteristiche aggiuntive (fig. A)

A seconda del prodotto acquistato vi possono essere delle caratteristiche aggiuntive. Le caratteristiche aggiuntive valide per l'articolo di catalogo acquistato sono illustrate in fig. A.

Assemblaggio

Attenzione! Prima di tentare una delle seguenti operazioni, verificare che l'elettrotensile sia spento e scollegato dalla presa elettrica e che la lama del seghetto si sia fermata. Le lame del seghetto usate possono essere calde.

Montaggio e smontaggio della lama del seghetto (figg. B e C)

Attenzione! Prima di tentare una delle seguenti operazioni, verificare che l'elettrotensile sia spento e scollegato dalla presa elettrica e che la lama del seghetto si sia fermata. Le lame del seghetto usate possono essere calde.

Montaggio della lama del seghetto (fig. B)

- ◆ Tenere la lama del seghetto (10) come illustrato con i denti rivolti in avanti.
- ◆ Premere il morsetto della lama (11).
- ◆ Infilare completamente il gambo della lama del seghetto nel portalama (12).
- ◆ Rilasciare il morsetto della lama (11).

Conservazione delle lame del seghetto (fig. C)

Le lame (10) possono essere conservate nell'apposito vano (4) sul lato dell'elettrotensile

- ◆ Aprire il coperchio del vano delle lame del seghetto (4) afferrando la linguetta sulla parte superiore del coperchio e tirandola verso l'esterno.
- ◆ Le lame sono fissate nel vano per mezzo di una striscia magnetica. Per togliere una lama, premerne un'estremità per far sollevare quella opposta ed estrarre la lama.
- ◆ Chiudere il coperchio del vano delle lame del seghetto (4) e accertarsi che sia bloccato.

Attenzione! Chiudere saldamente lo sportello del vano prima di far funzionare il seghetto.

Collegamento di un aspirapolvere all'elettrotensile (fig. D)

Per collegare un aspirapolvere di qualsiasi tipo all'elettrotensile, è necessario usare un adattatore (13).

- ◆ Infilare l'adattatore (13) nell'apertura di estrazione della polvere (6).
- ◆ Collegare il tubo dell'aspirapolvere (14) all'adattatore (13).

Soffiante di pulitura del taglio (fig. E)

- ◆ Per migliorare la visibilità durante il taglio, il seghetto è dotato di soffiante di pulitura del taglio (15) che durante la segatura elimina la polvere dalla zona di lavoro.

Rischi residui

Altri rischi residui che possono sorgere durante l'impiego dell'elettrotensile e che possono non essere stati contemplati dagli allegati avvisi di sicurezza. Tali rischi possono sorgere a seguito di un uso prolungato o improprio, ecc.

Perfino adottando gli appositi regolamenti di sicurezza e utilizzando i dispositivi di sicurezza, certi rischi residui non possono essere evitati. Essi comprendono:

- ◆ Lesioni causate o subite a seguito del contatto con parti rotanti/in movimento.
- ◆ Lesioni causate o subite durante la sostituzione di parti, lame o accessori.
- ◆ Lesioni causate dall'impiego prolungato di un elettrotensile. Quando si usa qualsiasi elettrotensile per lunghi periodi, accertarsi di fare regolarmente delle pause.
- ◆ Problemi di udito.
- ◆ Rischi per la salute causati dall'aspirazione di polvere generata dall'utilizzo dell'elettrotensile (ad esempio quando si lavora con il legno, in modo particolare quello di quercia, faggio o l'MDF).

Utilizzo

Regolazione del piedino scorrimento lama per eseguire dei tagli a unghia (figg. F e G)

Attenzione! Non usare mai l'elettrotensile quando il piedino scorrimento lama è allentato o è stato smontato.

Il piedino scorrimento lama (7) può essere regolato per il taglio a unghia verso destra o verso sinistra fino a un massimo di 45°.

- ◆ Tirare verso l'esterno la leva di bloccaggio del piedino scorrimento lama (5) per spostare il piedino scorrimento lama (7) dalla posizione 0 gradi.
- ◆ Tirare in avanti il piedino scorrimento lama (7) e regolare l'angolo di smusso su 15°, 30° e 45° come indicato nell'apposita finestrella.

- ◆ Spingere indietro la leva di bloccaggio del piedino scorrimento lama (5) verso il seghetto per bloccare il piedino (7).

Regolazione del piedino scorrimento lama (7) per i tagli dritti:

- ◆ Tirare la leva di bloccaggio del piedino scorrimento lama (5) verso l'esterno per sbloccare il piedino (7).
- ◆ Regolare il piedino scorrimento lama (7) su un angolo di 0° e spingerlo indietro.
- ◆ Spingere indietro la leva di bloccaggio del piedino scorrimento lama (5) verso il seghetto per bloccare il piedino (7).

Regolazione della corsa a pendolo (fig. H)

- ◆ Regolare il selettore della corsa a pendolo (9) sulla posizione richiesta.
- ◆ Posizione **0**: metallo, alluminio e lamiera.
- ◆ Posizione **I**: laminati, legno duro, piani di lavoro.
- ◆ Posizione **II**: compensato e PVC/plastica.
- ◆ Posizione **III**: legno dolce e taglio rapido.

Comando velocità variabile

- ◆ Regolare la manopola comando velocità variabile (1) sulla velocità richiesta.
- ◆ Usare una velocità alta per il legno, media per l'alluminio e il PVC e bassa per i metalli ad eccezione dell'alluminio.

Accensione e spegnimento.

- ◆ Per accendere l'elettrotensile, premere l'interruttore di accensione (2).
- ◆ Per spegnere l'elettrotensile, rilasciare l'interruttore di accensione (2).
- ◆ Per il funzionamento continuato, premere il pulsante di bloccaggio (3) e rilasciare l'interruttore di accensione (2).
- ◆ Per spegnere l'elettrotensile durante il funzionamento continuo, premere l'interruttore di accensione (2) e rilasciarlo.

Segatura

Tenere saldamente l'elettrotensile con entrambe le mani durante il taglio.

Il piedino scorrimento lama (7) deve poggiare saldamente contro il materiale che si sta tagliando. In questo modo si impedisce al seghetto di saltare, si riducono le vibrazioni e anche i casi di rottura della lama.

- ◆ Prima di iniziare a tagliare, lasciare che la lama ruoti liberamente per alcuni secondi.
- ◆ Esercitare solo una leggera pressione sull'elettrotensile mentre si esegue il taglio.

Funzionamento del laser (figg. I - L) (solo modello KS900EL)

Inserimento delle batterie (fig. I)

Staccare il modulo laser (17) dal seghetto da traforo svitando la vite (16) e tirando in avanti il modulo del laser. Inserire due nuove batterie alcaline AAA da 1,5 V accertandosi di abbinare correttamente i poli (+) e (-). Ricollegare il modulo laser (17).

Regolazione laterale del laser (fig. J)

Nota: Il laser funge da guida per il taglio e non garantisce un taglio preciso.

Attenzione! Non regolare il laser con il seghetto da traforo collegato alla presa elettrica.

- ◆ Allineare la linea proiettata dal laser alla lama del seghetto, se necessario, per mezzo della vite di regolazione del laser (18).

La visibilità (intensità) del laser si riduce se il seghetto si surriscalda. Il laser potrebbe non essere visibile quando il seghetto viene sovraccaricato per un periodo di tempo lungo. La visibilità del laser si ripristina poco a poco al valore normale quando l'elettrotensile si raffredda perfino se è scollegato dalla presa elettrica.

Attenzione! Non lasciare acceso un laser surriscaldato. Accertarsi che l'interruttore sia regolato su spento ed estrarre le batterie per interrompere l'alimentazione del laser.

Utilizzo del laser (figg. K - L)

Il laser proietta la traccia del taglio (21) sulla superficie del pezzo.

- ◆ Per accendere il laser, premere il pulsante (19).
- ◆ Per spegnere il laser, premere di nuovo il pulsante (19).

Guardando direttamente da sopra al seghetto da traforo, è possibile seguire facilmente la traccia del taglio (21). Se per qualsiasi ragione ciò non fosse possibile, il laser può essere usato in alternativa come guida per il taglio.

- ◆ Usare una matita per marcare la traccia del taglio (20).
- ◆ Posizionare il seghetto da traforo sopra a tale traccia (20).
- ◆ Accendere il laser.

Consigli per un utilizzo ottimale

Segatura dei laminati

Durante la segatura di laminati è possibile scheggiare i bordi, rovinando la superficie finale. Le lame più comuni praticano il taglio sulla corsa verso l'alto per cui, se il piedino scorrimento lama poggia sulla superficie finale, si consiglia di usare una lama che tagli sulla corsa verso il basso oppure di:

- ◆ Usare una lama da seghetto con denti sottili.
- ◆ Segare dalla parte posteriore del pezzo da lavorare.
- ◆ Per contenere al massimo la scheggiatura, fissare con un morsetto un pezzo di legno o di cartone da ambo i lati del pezzo da lavorare e segare i tre strati insieme.

Segatura del metallo

Tenere presente che la segatura del metallo richiede molto più tempo di quella del legno.

- ◆ Usare una lama da seghetto idonea alla segatura del metallo.
- ◆ Quando si taglia un foglio di lamiera sottile, fissare con dei morsetti un pezzo di legno sulla superficie posteriore del pezzo da lavorare e tagliare i due strati insieme.
- ◆ Spalmare un velo d'olio lungo la traccia del taglio.

Manutenzione

Questo elettroutensile Black & Decker è stato progettato per funzionare a lungo con un minimo di manutenzione. Per ottenere prestazioni sempre soddisfacenti occorre avere cura dell'elettroutensile e sottoporlo a manutenzione periodica.

- ◆ Le prese di ventilazione dell'elettroutensile devono essere pulite regolarmente con un pennello morbido o un panno asciutto.
- ◆ Il vano del motore deve essere pulito regolarmente con un panno umido. Non usare materiali abrasivi o detersivi a base di solventi. Evitare la penetrazione di liquidi all'interno dell'elettroutensile e non immergere mai nessuna parte dello stesso in un liquido.

Protezione dell'ambiente



■ Raccolta differenziata. Questo prodotto non deve essere smaltito con i normali rifiuti domestici.

Nel caso in cui l'elettroutensile Black & Decker debba essere sostituito o non sia più necessario, non smaltirlo con i normali rifiuti domestici. Metterlo da parte per la raccolta differenziata.



La raccolta differenziata dei prodotti e degli imballaggi utilizzati consente il riciclaggio dei materiali e il loro continuo utilizzo. Il riutilizzo dei materiali riciclati favorisce la protezione dell'ambiente prevenendo l'inquinamento e riduce il fabbisogno di materie prime.

Seguire la regolamentazione locale per la raccolta differenziata dei prodotti elettrici che può prevedere punti di raccolta o la consegna dell'elettroutensile al rivenditore presso il quale viene acquistato un nuovo prodotto.

Black & Decker offre ai suoi clienti la possibilità di riciclare i prodotti Black & Decker che hanno esaurito la loro vita di servizio. Per usufruire di tale servizio, è sufficiente restituire il prodotto a qualsiasi tecnico autorizzato, incaricato della raccolta per conto dell'azienda.

Per individuare il tecnico autorizzato più vicino, rivolgersi alla sede Black & Decker locale, presso il recapito indicato nel presente manuale. In alternativa, un elenco completo di tutti i tecnici autorizzati Black & Decker e i dettagli completi sui contatti e i servizi post-vendita sono disponibili su Internet presso: www.2helpU.com.

Batterie



■ Alla fine della loro vita utile, smaltire le batterie in conformità alle norme ambientali.

- ◆ Non cortocircuitare i terminali della batteria.
- ◆ Non smaltire le batterie bruciandole dato che si potrebbe causare un'esplosione.
- ◆ Scaricare completamente la batteria e toglierla dall'elettroutensile.
- ◆ Le batterie sono riciclabili. Imballare la batteria o le batterie in modo idoneo per evitare che i terminali possano essere cortocircuitati. Portarle presso un tecnico autorizzato o il centro di riciclaggio di zona.

Dati tecnici

	KS900E TYPE 1 KS900EL TYPE 1
Tensione	V c.a. 230
Ingresso nominale	W 600
Regime a vuoto	min ⁻¹ 800-3000
Profondità max. del taglio	
Legno	mm 85
Acciaio	mm 5
Alluminio	mm 15
Peso	kg 2,36
(con laser)	kg 2,66

Livello di pressione sonora misurato in base a EN 60745:

Pressione sonora (L_{pA}) 87 dB(A), incertezza (K) 3 dB(A)

Potenza sonora (L_{WA}) 98 dB(A), incertezza (K) 3 dB(A)

Valori totali vibrazioni (somma vettoriale triassiale)
in base a EN 60745

Taglio del legno ($a_{h, CW}$) 10,5 m/s², incertezza (K) 1,5 m/s²

Taglio del metallo ($a_{h, CM}$) 14,5 m/s², incertezza (K) 1,5 m/s²

Dichiarazione CE di conformità

DIRETTIVA SUI MACCHINARI



KS900E, KS900EL

Black & Decker dichiara che i prodotti descritti al paragrafo "Dati tecnici" sono conformi a:

2006/42/CE, EN60745-1, EN60745-2-11

Per ulteriori informazioni contattare Black & Decker al seguente indirizzo oppure consultare l'ultima di copertina del manuale.

Il sottoscritto è responsabile della redazione di questo documento tecnico e rilascia questa dichiarazione per conto di Black & Decker.

Kevin Hewitt

Vice-President Global Engineering

Black & Decker Europe,

210 Bath Road, Slough,

Berkshire, SL1 3YD

Regno Unito

14-02-2011

Garanzia

Certa della qualità dei suoi prodotti, Black & Decker offre una garanzia eccezionale. Il presente certificato di garanzia è complementare ai diritti legali e non li pregiudica in alcun modo. La garanzia è valida entro il territorio degli Stati membri dell'Unione Europea e dell'EFTA (European Free Trade Area).

Se un prodotto Black & Decker risulta difettoso per qualità del materiale, della costruzione o per mancata conformità entro 24 mesi dalla data di acquisto, Black & Decker garantisce la sostituzione delle parti difettose, provvede alla riparazione dei prodotti se ragionevolmente usurati oppure alla loro sostituzione, in modo da ridurre al minimo il disagio del cliente a meno che:

Il prodotto non sia stato destinato ad usi commerciali, professionali o al noleggio;

Il prodotto non sia stato usato in modo improprio o scorretto;

Il prodotto non abbia subito danni causati da oggetti o sostanze estranee oppure incidenti;

Il prodotto non abbia subito tentativi di riparazione non effettuati da tecnici autorizzati né dall'assistenza Black & Decker.

Per attivare la garanzia è necessario esibire la prova comprovante l'acquisto al venditore o al tecnico autorizzato. Per individuare il tecnico autorizzato più vicino, rivolgersi alla sede Black & Decker locale, presso il recapito indicato nel presente manuale. Altrimenti un elenco completo di tutti i tecnici autorizzati Black & Decker e i dettagli completi sui contatti e i servizi post-vendita sono disponibili su Internet presso:

www.2helpU.com

I clienti che desiderano registrare il nuovo prodotto Black & Decker e ricevere gli aggiornamenti sui nuovi prodotti e le offerte speciali, sono invitati a visitare il sito Web (www.blackanddecker.it) Ulteriori informazioni sul marchio e la gamma di prodotti Black & Decker sono disponibili all'indirizzo www.blackanddecker.it

Beoogd gebruik

De Black & Decker-decoupeerzaag is ontworpen voor het zagen van hout, kunststof en metaal. Deze machine is uitsluitend bestemd voor consumentengebruik.

Veiligheidsinstructies

Algemene veiligheidswaarschuwingen voor elektrisch gereedschap



Waarschuwing! Lees alle veiligheidswaarschuwingen en alle instructies. Wanneer de instructies niet in acht worden genomen, kan dit een elektrische schok, brand of ernstig letsel tot gevolg hebben.

Bewaar alle waarschuwingen en instructies als referentiemateriaal.

Het hierna gebruikte begrip 'elektrisch gereedschap' heeft betrekking op elektrische gereedschappen voor gebruik op de netspanning (met netsnoer) of op accu (snoerloos).

1. Veilige werkomgeving

- a. **Houd uw werkomgeving schoon en opgeruimd.** Een rommelige of onverlichte werkomgeving kan tot ongevallen leiden.
- b. **Gebruik elektrisch gereedschap niet in een omgeving met explosiegevaar, zoals in de nabijheid van brandbare vloeistoffen, gasen of stof.** Elektrisch gereedschap veroorzaakt vonken die het stof of de dampen tot ontsteking kunnen brengen.
- c. **Houd kinderen en andere personen tijdens het gebruik van elektrisch gereedschap uit de buurt.** Wanneer u wordt afgeleid, kunt u de controle over het gereedschap verliezen.

2. Elektrische veiligheid

- a. **De netstekker van het gereedschap moet in het stopcontact passen. De stekker mag in geen geval worden omgebouwd. Gebruik geen adapterstekkers in combinatie met geaarde gereedschappen.** Niet omgebouwde stekkers en passende stopcontacten beperken het risico van een elektrische schok.
- b. **Vermijd aanraking van het lichaam met geaarde oppervlakken, bijvoorbeeld buizen, verwarmingen, fornuizen en koelkasten.** Er bestaat een verhoogd risico voor een elektrische schok wanneer uw lichaam geaard is.
- c. **Houd het gereedschap uit de buurt van regen en vocht.** Het binnendringen van water in het elektrische gereedschap vergroot het risico van een elektrische schok.

d. Gebruik het snoer niet voor een verkeerd doel.

Gebruik het snoer niet om het gereedschap te dragen of op te hangen of om de stekker uit het stopcontact te trekken. Houd het snoer uit de buurt van hitte, olie, scherpe randen of bewegende delen. Beschadigde of in de war geraakte snoeren vergroten het risico van een elektrische schok.

e. Wanneer u buitenshuis met elektrisch gereedschap werkt, dient u alleen verlengsnoeren te gebruiken die zijn goedgekeurd voor gebruik buitenshuis. Het gebruik van een verlengsnoer dat geschikt is voor gebruik buitenshuis beperkt het risico van een elektrische schok.

f. Als u een elektrisch gereedschap moet gebruiken in een vochtige locatie, moet u een reststroomschakelaar (RCD) gebruiken. Met een reststroomschakelaar wordt het risico van een elektrische schok verkleind.

3. Veiligheid van personen

- a. **Wees alert, let goed op wat u doet en ga met verstand te werk bij het gebruik van elektrische gereedschappen. Gebruik elektrisch gereedschap niet wanneer u moe bent of onder invloed van drugs, alcohol of medicijnen.** Een moment van onoplettendheid bij het gebruik van het gereedschap kan leiden tot ernstige verwondingen.
- b. **Draag persoonlijke beschermende uitrusting. Draag altijd een veiligheidsbril.** Het dragen van persoonlijke beschermende uitrusting zoals een stofmasker, slipvaste werkschoenen, een veiligheidshelm of gehoorbescherming, afhankelijk van de aard en het gebruik van het elektrische gereedschap, vermindert het risico van verwondingen.
- c. **Voorkom per ongeluk inschakelen. Controleer of de schakelaar in de uit-stand staat voordat u het gereedschap aansluit op het stopcontact en/of de accu en voordat u het gereedschap omtit of gaat dragen.** Wanneer u bij het dragen van het gereedschap uw vinger op de schakelaar houdt of wanneer u het gereedschap per ongeluk inschakelt, kan dat leiden tot ongevallen.
- d. **Verwijder instelgereedschappen of schroefsleutels voordat u het gereedschap inschakelt.** Een instelgereedschap of sleutel in een draaiend deel van het gereedschap kan tot verwondingen leiden.
- e. **Reik niet te ver. Zorg er altijd voor dat u stevig staat en in evenwicht blijft.** Daardoor kunt u het gereedschap in onverwachte situaties beter onder controle houden.

- f. **Draag geschikte kleding. Draag geen loshangende kleding of sieraden. Houd haren, kleding en handschoenen uit de buurt van bewegende delen.** Loshangende kleding, sieraden en lange haren kunnen door bewegende delen worden meegenomen.
- g. **Wanneer stofafzuigings- of stofopvangvoorzieningen kunnen worden gemonteerd, dient u zich ervan te verzekeren dat deze zijn aangesloten en juist worden gebruikt.** Het gebruik van deze voorzieningen beperkt het gevaar door stof.
4. **Gebruik en onderhoud van elektrisch gereedschap**
- a. **Overbelast het gereedschap niet. Gebruik voor uw toepassing het daarvoor bestemde elektrische gereedschap.** Met het passende elektrische gereedschap werkt u beter en veiliger binnen het aangegeven capaciteitsbereik.
- b. **Gebruik geen elektrisch gereedschap waarvan de schakelaar defect is.** Elektrisch gereedschap dat niet meer kan worden in- of uitgeschakeld, is gevaarlijk en moet worden gerepareerd.
- c. **Trek de stekker uit het stopcontact en/of de accu uit het elektrisch gereedschap voordat u het gereedschap instelt, toebehoren wisselt of het gereedschap opbergt.** Met deze voorzorgsmaatregel voorkomt u onbedoeld starten van het gereedschap.
- d. **Bewaar niet-gebruikte elektrische gereedschappen buiten bereik van kinderen. Laat het gereedschap niet gebruiken door personen die er niet vertrouwd mee zijn en deze aanwijzingen niet hebben gelezen.** Elektrische gereedschappen zijn gevaarlijk wanneer deze door onervaren personen worden gebruikt.
- e. **Verzorg het gereedschap zorgvuldig. Controleer of bewegende delen van het gereedschap correct functioneren en niet klemmen, en of er onderdelen zodanig zijn gebroken of beschadigd dat de werking van het gereedschap nadelig wordt beïnvloed. Laat beschadigde delen repareren voordat u het gereedschap gebruikt.** Veel ongevallen worden veroorzaakt door slecht onderhouden elektrische gereedschappen.
- f. **Houd snijdende inzetgereedschappen scherp en schoon.** Zorgvuldig onderhouden snijdende inzetgereedschappen met scherpe snijkanten klemmen minder snel en zijn gemakkelijker te geleiden.
- g. **Gebruik elektrische gereedschappen, toebehoren, inzetgereedschappen en dergelijke volgens deze aanwijzingen. Let daarbij op de arbeidsomstandigheden en de uit te voeren werkzaamheden.** Het gebruik van elektrische gereedschappen voor andere dan de voorziene toepassingen kan leiden tot gevaarlijke situaties.
5. **Service**
- h. **Laat het gereedschap alleen repareren door gekwalificeerd en vakkundig personeel en alleen met originele vervangingsonderdelen.** Daarmee wordt de veiligheid van het gereedschap gewaarborgd.

Aanvullende veiligheidswaarschuwingen voor elektrisch gereedschap



Waarschuwing! Aanvullende veiligheidswaarschuwingen voor decoupeerzagen

- ◆ **Houd het elektrische gereedschap vast bij de geïsoleerde greepoppervlakken als u een handeling uitvoert waarbij het zagende inzetstuk in aanraking kan komen met onzichtbare draden of het eigen snoer.** Wanneer het zagende inzetstuk in aanraking komt met een draad onder spanning, komen de onbedekte metalen delen van het elektrische gereedschap onder spanning te staan en kunt u een elektrische schok krijgen.
- ◆ **Gebruik klemmen of een andere praktische manier om het werkstuk op een stabiel platform vast te zetten en te steunen.** Als u het werkstuk met de hand of tegen uw lichaam vasthoudt, is het niet stabiel en kunt u de controle over het gereedschap verliezen.
- ◆ **Blijf met uw handen uit de buurt van het snijgebied.** Steek uw handen nooit onder het werkstuk. Blijf met uw vingers en duim uit de buurt van het heen en weer bewegende blad en van de heen en weer bewegende bladklem. Houd de zaag niet in evenwicht door de zool vast te houden.
- ◆ **Zorg ervoor dat de bladen altijd scherp zijn.** Door botte of beschadigde bladen kan de zaag onder druk afwijken of blijven steken. Gebruik altijd het juiste type zaagblad voor het werkstukmateriaal en het type zaagsnede.
- ◆ **Als u een pijp of buis gaat doorzagen, controleert u of deze geen water, elektrische bedrading, enzovoort, bevat.**
- ◆ **Raak het werkstuk of het blad niet meteen na het zagen aan.** Ze kunnen zeer heet worden.
- ◆ **Wees bedacht op verborgen gevaren. Controleer waar zich bedrading en leidingen bevinden voordat u in muren, vloeren of plafonds zaagt.**
- ◆ **Nadat u de schakelaar hebt losgelaten blijft het blad bewegen.** Schakel het gereedschap altijd uit en wacht tot het zaagblad volledig tot stilstand is gekomen voordat u het gereedschap neerlegt.

Waarschuwing! Contact met of inademing van het stof dat bij het zagen vrijkomt, kan de gezondheid van de gebruiker en omstanders schaden. Draag een stofmasker dat speciaal is ontworpen ter bescherming tegen stoffen en dampen, en

verzeker u ervan dat andere personen op de werkvloer of die de werkvloer betreden eveneens zijn beschermd.

In deze instructiehandleiding wordt ingegaan op het beoogde gebruik. Het gebruik van andere accessoires of hulpstukken en het uitvoeren van andere handelingen met dit gereedschap dan aanbevolen in deze gebruikershandleiding, kan leiden tot persoonlijk letsel en/of schade aan eigendom.

Veiligheid van anderen

Dit gereedschap mag niet worden gebruikt door personen (waaronder kinderen) die lichamelijk of geestelijk mindervalide zijn of die geen ervaring met of kennis van dit gereedschap hebben, tenzij ze onder toezicht staan of instructies krijgen wat betreft het gebruik van het gereedschap van een persoon die verantwoordelijk is voor hun veiligheid.

Houd toezicht op kinderen om ervoor te zorgen dat zij niet met het apparaat gaan spelen.

Trilling

De aangegeven waarden voor trillingsemissie in de technische gegevens en de conformiteitsverklaring zijn gemeten conform een standaardtestmethode die door EN 60745 wordt geboden. Hiermee kan het ene gereedschap met het andere worden vergeleken. De aangegeven waarde voor trillingsemissie kan ook worden gebruikt bij een voorlopige bepaling van blootstelling.

Waarschuwing De waarde voor trillingsemissie tijdens het werkelijke gebruik van het gereedschap kan verschillen van de aangegeven waarde afhankelijk van de manieren waarop het gereedschap wordt gebruikt. Het trillingsniveau kan hoger worden dan het aangegeven niveau.

Wanneer de blootstelling aan trillingen wordt vastgesteld teneinde veiligheidsmaatregelen te bepalen die worden vereist door 2002/44/EC ter bescherming van personen die tijdens hun werk regelmatig elektrische gereedschappen gebruiken, moet bij een schatting van de blootstelling aan trillingen rekening worden gehouden met de werkelijke omstandigheden van het gebruik en de manier waarop het gereedschap wordt gebruikt. Daarbij moet ook rekening worden gehouden met alle stappen in de gebruikscyclus, zoals het moment waarop het gereedschap wordt uitgeschakeld en wanneer het gereedschap stationair loopt alsook de aanlooptijd.

Labels op het gereedschap



Waarschuwing De gebruiker moet de instructiehandleiding lezen om het risico op letsel te verminderen.

Elektrische veiligheid



Dit gereedschap is dubbel geïsoleerd. Een aardaansluiting is daarom niet noodzakelijk. Controleer altijd of uw netspanning overeenkomt met de waarde op het typeplaatje.

Als het netsnoer is beschadigd, moet dit worden vervangen door de fabrikant of een Black & Decker-servicecentrum om gevaren te voorkomen.

Aanvullende veiligheidsinstructies voor niet-laadbare batterijen

Probeer accu's niet te openen, om welke reden ook. Bewaar de accu niet op locaties met een temperatuur hoger dan 40°C.

Gooi lege accu's weg volgens de instructies in het gedeelte 'Milieu'.

Verbrand de batterijen niet.

Onder extreme omstandigheden kunnen batterijen lekkages vertonen. Ga als volgt te werk als u vloeistof op de batterijen aantreft:

- Veeg de vloeistof voorzichtig af met een doek.
- Vermijd huidcontact.

Aanvullende veiligheidsinstructies voor lasers



Lees deze handleiding zorgvuldig door.



Dit product mag niet worden gebruikt door kinderen onder de 16.



Laserstraling.



Kijk nooit in de laserbundel.



Bekijk de laserbundel evenmin met behulp van optische middelen.

Deze laser voldoet aan klasse 2 van EN 60825-1:2007.

Vervang een laserdioden nooit door een exemplaar van een ander type. Laat een beschadigde laser altijd repareren door een van onze servicecentra.

Gebruik de laser niet voor andere doeleinden dan het projecteren van laserlijnen.

Bij een laser van klasse 2 mag het oog maar 0,25 seconde aan de laserbundel worden blootgesteld om geen letsel op te lopen. Doorgaans bieden de

ooglidreflexen echter een adequate bescherming. Bij afstanden van meer dan 1 m valt de laser onder klasse 1 en wordt deze volkomen veilig geacht.

- ◆ Kijk nooit rechtstreeks in de laserbundel.
- ◆ Bekijk de laserbundel evenmin met behulp van optische middelen.
- ◆ Plaats het gereedschap niet op hoofdhoogte van personen die door de laserbundel kunnen lopen.
- ◆ Zorg dat kinderen uit de buurt van de laser blijven.

Onderdelen

1. Regelknop voor variabele snelheid
2. Aan-uitschakelaar
3. Vergrendelingsknop
4. Klepje van de opbergruimte voor het zaagblad
5. Zoolvergrendelingshendel
6. Opening voor stofafzuiging
7. Zool
8. Steunrol voor zaagblad
9. Schakelknop voor pendelbeweging

Overige functies (fig. A)

Afhankelijk van het producttype zijn meer functies mogelijk. In fig. A worden deze functies per producttype (catalogusnummer) weergegeven.

Montage

Waarschuwing! Schakel het gereedschap uit, koppel het netsnoer los en wacht tot het zaagblad stilstaat voordat u de volgende handelingen uitvoert. Zaagbladen die kort tevoren in gebruik zijn geweest, kunnen heet zijn.

Het zaagblad aanbrengen en verwijderen (fig. B en C)

Waarschuwing! Schakel het gereedschap uit, koppel het netsnoer los en wacht tot het zaagblad stilstaat voordat u de volgende handelingen uitvoert. Zaagbladen die kort tevoren in gebruik zijn geweest, kunnen heet zijn.

Het zaagblad aanbrengen (fig. B)

- ◆ Houd het zaagblad (10) zoals weergegeven met de tanden naar voor.
- ◆ Houd de bladklem (11) naar beneden gedrukt.
- ◆ Plaats de zaagbladschacht zo ver mogelijk in de bladhouder (12).
- ◆ Laat de bladklem (11) los.

Opbergruimte voor zaagbladen (fig. C)

Zaagbladen (10) kunnen worden bewaard in de opbergruimte (4) aan de zijkant van het gereedschap.

- ◆ Open het klepje van de opbergruimte (4) door het lipje bovenaan het klepje naar buiten te trekken.
- ◆ De zaagbladen zijn bevestigd aan een magnetische strip. Als u een blad wilt uitnemen, drukt u op een zijde

van het blad, zodat u het blad aan de omhoogkomende zijde kunt vastpakken.

- ◆ Sluit het klepje van de opbergruimte voor zaagbladen (4) en controleer of het klepje vergrendeld is.

Waarschuwing! Zorg ervoor dat het klepje goed dicht zit voordat u de zaag gebruikt.

Stofzuiger op het gereedschap aansluiten (fig. D)

Als u een stofzuiger wilt aansluiten op het gereedschap, hebt u een adapter (13) nodig.

- ◆ Druk de adapter (13) in de opening voor de stofafzuiging (6).
- ◆ Sluit de slang van de stofzuiger (14) op de adapter (13) aan.

Zaaglijnblazer (fig. E)

- ◆ Voor een beter zicht tijdens het zagen is de decoupeerzaag voorzien van een zaaglijnblazer (15) die het werkgebied stofvrij houdt terwijl u zaagt.

Overige risico's

Er kunnen zich tijdens het gebruik van het gereedschap ook andere risico's voordoen die misschien niet in de bijgevoegde veiligheidswaarschuwingen worden vermeld. Deze risico's kunnen zich voordoen als gevolg van onoordeelkundig gebruik, langdurig gebruik, enz.

Zelfs als de veiligheidsvoorschriften in acht worden genomen en de veiligheidsvoorzieningen worden geïmplementeerd, kunnen bepaalde risico's niet worden vermeden. Deze omvatten:

- ◆ Verwondingen die worden veroorzaakt door het aanraken van draaiende of bewegende onderdelen.
- ◆ Verwondingen die worden veroorzaakt bij het vervangen van onderdelen, bladen of accessoires.
- ◆ Verwondingen die worden veroorzaakt door langdurig gebruik van het gereedschap. Als u langere periodes met het gereedschap werkt, is het raadzaam om regelmatig een pauze in te lassen.
- ◆ Gehoorbeschadiging.
- ◆ Gezondheidsrisico's als gevolg van het inademen van stof dat door gebruik van het gereedschap wordt veroorzaakt (bijvoorbeeld tijdens het werken met hout, vooral eiken, beuken en MDF).

Gebruik

Zool afstellen voor onder verstek zagen (fig. F en G)

Waarschuwing! Gebruik het gereedschap nooit als de zool los zit of is verwijderd.

De zool (7) kan onder een linker- of rechterhoek van maximaal 45° worden geplaatst.

- ◆ Trek de zoolvergrendelingshendel (5) naar buiten om de zool (7) los te koppelen uit de stand voor nul graden.

- ◆ Trek de zool (7) naar voren en stel de vereiste zaaghoek in (15°, 30° en 45°), zoals aangegeven in het zaaghoekvenster.
- ◆ Druk de zoolvergrendelingshendel (5) terug tegen de zaag om de zool (7) vast te zetten.

Zool (7) opnieuw afstellen voor recht zagen:

- ◆ Trek de zoolvergrendelingshendel (5) naar buiten om de zool (7) los te koppelen.
- ◆ Stel de zool (7) in op een hoek van 0° en druk de zool naar achteren.
- ◆ Druk de zoolvergrendelingshendel (5) terug tegen de zaag om de zool (7) vast te zetten.

Pendelbeweging instellen (fig. H)

- ◆ Zet de knop voor de pendelbeweging (9) in de gewenste stand.
- ◆ Stand 0: metaal, aluminium en bladmetaal.
- ◆ Stand I: laminaat, hardhout en werkbladen.
- ◆ Stand II: multiplex en PVC/plastic.
- ◆ Stand III: zachthout en snel zagen.

Snelheidsregeling

- ◆ Stel de regelknop voor variabele snelheid (1) af op het gewenste snelheidsbereik.
- ◆ Gebruik voor hout een hoge snelheid, voor aluminium en PVC een gemiddelde snelheid en voor andere metalen dan aluminium een lage snelheid.

In- en uitschakelen

- ◆ Druk de aan-uitschakelaar (2) in om het gereedschap in te schakelen.
- ◆ Laat de aan-uitschakelaar (4) los om het gereedschap uit te schakelen.
- ◆ Druk de vergrendelingsknop (3) in en laat de aan-uitschakelaar (2) los om de continuïteit te activeren.
- ◆ Druk vanuit de continuïteit op de aan-uitschakelaar (2) en laat deze los om de continuïteit te deactiveren.

Zagen

Houd het gereedschap stevig met beide handen vast tijdens het zagen.

De zool (7) moet stevig worden gedrukt tegen het materiaal dat wordt gezaagd. Zo voorkomt u dat de zaag gaat springen, vermindert u de vibratie en beperkt u bladbreuk tot een minimum.

- ◆ Laat het blad een paar seconden vrij bewegen voordat u begint te zagen.
- ◆ Voer slechts geringe druk op het gereedschap uit terwijl u zaagt.

Laser bedienen (fig. I - L) (alleen KS900EL)

Batterijen plaatsen (fig. I)

Demonteer de lasermodule (17) van de decoupeerzaag door de schroef (16) te verwijderen en de lasermodule naar voor te trekken. Plaats twee nieuwe 1,5 volt AAA-alkalinebatterijen met de positieve (+) en negatieve (-) zijde in de juiste richting. Monteer de lasermodule (17) opnieuw.

Laser afstellen (fig. J)

Opmerking: de laser is slechts een hulpmiddel en garandeert geen exacte zaagsnede.

Waarschuwing! Stel de laser niet af terwijl de decoupeerzaag op het stopcontact is aangesloten.

- ◆ Lijn de laserlijn zo nodig met de stelschroef (18) uit ten opzichte van het zaagblad.

Bij een oververhitte decoupeerzaag heeft de laser een lagere zichtbaarheid (lager vermogen). Als de zaag over een langere periode wordt overbelast, is de laserlijn mogelijk helemaal onzichtbaar. Terwijl het gereedschap afkoelt, wordt de laser geleidelijk weer zichtbaar. Dit kunt u niet versnellen door de stekker uit het stopcontact te nemen.

Waarschuwing! Laat de oververhitte laser niet ingeschakeld. Zet de schakelaar op OFF en verbreek de stroomtoevoer naar de laser door de batterijen te verwijderen.

Laser gebruiken (fig. K - L)

De laser projecteert een zaaglijn (21) op het oppervlak van het werkstuk.

- ◆ Druk de knop (19) in om de laser in te schakelen.
- ◆ Druk de knop (19) nogmaals in om de laser uit te schakelen.

Vanaf de bovenzijde van de decoupeerzaag kunt u de zaaglijn (21) eenvoudig volgen. Als het zicht op de lijn om enige reden wordt belemmerd, kan de laser als alternatieve zaaggeleider worden gebruikt.

- ◆ Markeer de zaaglijn (20) met een potlood.
- ◆ Plaats de decoupeerzaag op de lijn (20).
- ◆ Schakel de laser in.

Tips voor optimaal gebruik

Gelaagde materialen zagen

Wanneer u laminaat zaagt, kan splintvorming optreden waardoor de bovenkant beschadigd kan raken. De meeste zaagbladen zagen tijdens de opwaartse slag. Als de zool zich op de bovenkant van het laminaat bevindt, moet u een zaagblad gebruiken dat tijdens de neerwaartse slag zaagt of:

- ◆ Gebruik een zaagblad met fijne tanden.
- ◆ Zaag vanaf de achterzijde van het werkstuk.

- ◆ Klem een stuk afvalhout of hardboard aan weerszijden van het werkstuk en zaag door al deze lagen om de splintervorming te minimaliseren.

Metaal zagen

Houd er rekening mee dat het zagen bij metaal veel meer tijd kost dan bij hout.

- ◆ Gebruik een zaagblad dat geschikt is voor het zagen van metaal.
- ◆ Klem bij dun plaatmetaal een stuk afvalhout aan de achterzijde van het werkstuk en zaag door beide lagen.
- ◆ Breng een oliefilm aan langs de gewenste zaaglijn.

Onderhoud

Uw Black & Decker-gereedschap is ontworpen om gedurende langere periode te functioneren met een minimum aan onderhoud. U kunt het gereedschap naar volle tevredenheid blijven gebruiken als u voor correct onderhoud zorgt en het gereedschap regelmatig schoonmaakt.

- ◆ Reinig regelmatig de ventilatieopeningen van het gereedschap met een zachte borstel of droge doek.
- ◆ Reinig de behuizing van de motor regelmatig met een vochtige doek. Gebruik geen schuur- of oplosmiddel. Voorkom dat vloeistof het gereedschap binnendringt en dompel nooit enig onderdeel van het gereedschap in vloeistof onder.

Milieu



■ Gescheiden inzameling. Dit product mag niet met normaal huishoudelijk afval worden weggegooid.

Mocht u op een dag constateren dat het Black & Decker-product aan vervanging toe is of dat u het apparaat niet meer nodig hebt, gooi het product dan niet bij het restafval. Het product valt onder de categorie voor elektrische apparaten.



Gescheiden inzameling van gebruikte producten en verpakkingsmaterialen maakt het mogelijk materialen te recyclen en opnieuw te gebruiken. Hergebruik van gerecycleerde materialen zorgt voor minder milieuvuiling en dringt de vraag naar grondstoffen terug.

Plaatselijke verordeningen kunnen voorzien in gescheiden inzameling van huishoudelijke elektrische producten via gemeentelijke stortplaatsen of via de leverancier bij wie u een nieuw product aanschaft.

Black & Decker biedt de mogelijkheid tot het recyclen van afgedankte Black & Decker-producten. Om gebruik te maken van deze service, dient u het product naar een van onze servicecentra te sturen, die de inzameling voor ons verzorgen.

U kunt het adres van het dichtstbijzijnde servicecentrum opvragen via de adressen op de achterzijde van deze handleiding. U kunt ook een lijst van onze servicecentra en meer informatie over onze klantenservice vinden op het volgende internetadres: **www.2helpU.com**.

Accu's



■ Gooi afgedankte accu's op verantwoorde wijze weg:

- ◆ Voorkom dat de polen van de batterij worden kortgesloten.
- ◆ Werp batterijen niet in het vuur. Dit kan letsel of een explosie tot gevolg hebben.
- ◆ Ontlaad de batterij volledig en verwijder deze vervolgens uit het gereedschap.
- ◆ Batterijen kunnen worden gerecycled. Plaats de batterij(en) in een geschikte verpakking om te voorkomen dat de polen worden kortgesloten. Breng ze naar een servicecentrum of een inzamellocatie in uw woonplaats.

Technische gegevens

	KS900E TYPE 1 KS900EL TYPE 1
Spanning	230 Vac
Nominale ingangsspanning	600 W
Onbelaste snelheid	800-3000 min ⁻¹
Max. zaagdiepte	
Hout	85 mm
Staal	5 mm
Aluminium	15 mm
Gewicht	2,36 kg
(met laser)	2,66 kg

Geluidsdrukniveau, volgens EN 60745:

Geluidsdruk (L_{PA}) 87 dB(A), meetonzekerheid (K) 3 dB(A)

Geluidsvermogen (L_{WA}) 98 dB(A),

meetonzekerheid (K) 3 dB(A)

Totale trillingswaarden (som triaxvector) volgens EN 60745:

In hout zagen ($a_{h, CW}$) 10,5 m/s²,

meetonzekerheid (K) 1,5 m/s²

In metaal zagen ($a_{h, CM}$) 14,5 m/s²,

meetonzekerheid (K) 1,5 m/s²

EG-conformiteitsverklaring

MACHINERICHTLIJN



KS900E, KS900EL

Black & Decker verklaart dat de producten die worden beschreven onder "technische gegevens" in overeenstemming zijn met:

2006/42/EC, EN60745-1, EN60745-2-11

Neem voor meer informatie contact op met Black & Decker op het volgende adres of raadpleeg de achterkant van de handleiding.

Ondergetekende is verantwoordelijk voor de compilatie van het technische bestand en doet deze verklaring namens Black & Decker.

Kevin Hewitt
Vice-President Global Engineering
Black & Decker Europe,
210 Bath Road, Slough,
Berkshire, SL1 3YD
Verenigd Koninkrijk
14-02-2011

Garantie

Black & Decker heeft vertrouwen in haar producten en biedt een uitstekende garantie. Deze garantiebepalingen vormen een aanvulling op uw wettelijke rechten en beperken deze niet. De garantie geldt in de lidstaten van de Europese Unie en de Europese Vrijhandelsassociatie.

Mocht uw Black & Decker product binnen 24 maanden na de datum van aankoop defect raken ten gevolge van materiaal- of constructiefouten, dan garanderen wij de kosteloze vervanging van defecte onderdelen, de reparatie van het product of de vervanging van het product, tenzij:

Het product is gebruikt voor handelsdoeleinden,

professionele toepassingen of verhuurdoeleinden;

Het product onoordeelkundig is gebruikt;

Het product is beschadigd door invloeden van buitenaf of door een ongeval;

Reparaties zijn uitgevoerd door anderen dan onze servicecentra of Black & Decker-personeel.

Om een beroep te doen op de garantie, dient u een aankoopbewijs te overhandigen aan de verkoper of een van onze servicecentra. U kunt het adres van het dichtstbijzijnde servicecentrum opvragen via de adressen op de achterzijde van deze handleiding. U kunt ook een lijst van onze servicecentra en meer informatie m.b.t. onze klantenservice vinden op het volgende internetadres:

www.2helpU.com

Meld u aan op onze website www.blackanddecker.nl te worden geïnformeerd over nieuwe producten en speciale aanbiedingen. Verdere informatie over het merk Black & Decker en onze producten vindt u op www.blackanddecker.nl

Uso previsto

Su sierra de calar Black & Decker ha sido diseñada para lijar madera, metal, plástico y superficies pintadas. Esta herramienta está pensada únicamente para uso doméstico.

Instrucciones de seguridad

Advertencias de seguridad generales para herramientas eléctricas



¡Atención! Lea todas las advertencias e instrucciones de seguridad. Si no se siguen las instrucciones de seguridad, pueden producirse descargas eléctricas, incendios o lesiones graves.

Guarde todas las advertencias e instrucciones para consultarlas en el futuro.

El término "herramienta eléctrica" empleado en las advertencias indicadas a continuación hace referencia a la herramienta eléctrica con alimentación de red (con cable) o alimentada por batería (sin cable).

1. **Seguridad del área de trabajo**
 - a. **Mantenga limpia y bien iluminada el área de trabajo.** El desorden y una iluminación deficiente en las áreas de trabajo pueden provocar accidentes.
 - b. **No utilice la herramienta eléctrica en un entorno con peligro de explosión, en el que se encuentren combustibles líquidos, gases o material en polvo.** Las herramientas eléctricas producen chispas que pueden llegar a inflamar los materiales en polvo o vapores.
 - c. **Mantenga alejados a los niños y otras personas del área de trabajo al emplear la herramienta eléctrica.** Una distracción le puede hacer perder el control sobre la herramienta.
 2. **Seguridad eléctrica**
 - a. **El enchufe de la herramienta eléctrica debe corresponder a la toma de corriente utilizada. No modifique el enchufe en forma alguna. No emplee adaptadores en herramientas eléctricas dotadas con toma de tierra.** Los enchufes sin modificar adecuados a las respectivas tomas de corriente reducen el riesgo de una descarga eléctrica.
 - b. **Evite que su cuerpo toque partes conectadas a tierra como tuberías, radiadores, cocinas y refrigeradores.** El riesgo a quedar expuesto a una descarga eléctrica es mayor si su cuerpo tiene contacto con tierra.
 - c. **No exponga las herramientas eléctricas a la lluvia y evite que penetren líquidos en su interior.** Existe el peligro de recibir una descarga eléctrica si penetran ciertos líquidos en la herramienta eléctrica.
 - d. **Cuide el cable de alimentación. No lo utilice para transportar o colgar la herramienta eléctrica, ni tire de él para sacar el enchufe de la toma de corriente. Manténgalo alejado del calor, aceite, bordes afilados o piezas móviles.** Los cables de red dañados o enredados incrementan el riesgo de descarga eléctrica.
 - e. **Al trabajar con una herramienta eléctrica en el exterior utilice solamente cables de prolongación homologados para su uso en exteriores.** La utilización de un cable de prolongación adecuado para su uso en exteriores reduce el riesgo de descarga eléctrica.
 - f. **Si la utilización de una herramienta eléctrica en un lugar húmedo es inevitable, utilice una fuente protegida con un dispositivo de corriente residual (RCD).** La utilización de un RCD reduce el riesgo de sufrir descargas eléctricas.
3. **Seguridad personal**
 - a. **Esté atento a lo que hace y emplee la herramienta eléctrica con prudencia. No utilice la herramienta eléctrica si estuviese cansado, ni tampoco después de haber consumido alcohol, drogas o medicamentos.** El no estar atento durante el uso de una herramienta eléctrica puede provocarle serias lesiones.
 - b. **Utilice un equipo de protección personal. Utilice siempre gafas de protección.** El riesgo de lesionarse se reduce considerablemente si se utiliza un equipo de protección adecuado como una mascarilla antipolvo, zapatos de seguridad con suela antideslizante, casco o protectores auditivos.
 - c. **Impida que la herramienta se ponga en marcha accidentalmente. Asegúrese de que el conmutador de encendido/apagado se encuentra en la posición de apagado antes de conectar la herramienta a la fuente de alimentación o a la batería, o de coger o transportar la herramienta.** Transportar la herramienta eléctrica con el dedo sobre el interruptor o enchufarla con el interruptor encendido puede provocar accidentes.
 - d. **Retire las herramientas de ajuste o llaves fijas antes de conectar la herramienta eléctrica.** Una herramienta o llave colocada en una pieza giratoria de la herramienta eléctrica puede producir lesiones al ponerse a funcionar.
 - e. **Sea precavido. Evite adoptar una posición que fatigue su cuerpo; mantenga un apoyo firme sobre el suelo y conserve el equilibrio en todo momento.** Ello le permitirá controlar mejor la herramienta eléctrica en caso de presentarse una situación inesperada.

- f. **Lleve puesta una vestimenta de trabajo adecuada. No lleve vestidos anchos ni joyas. Mantenga su pelo, vestimenta y guantes alejados de las piezas móviles.** La vestimenta suelta, las joyas y el pelo largo se pueden enganchar con las piezas en movimiento.
- g. **Siempre que sea posible utilizar unos equipos de aspiración o captación de polvo, asegúrese de que estén montados y se utilicen correctamente.** El empleo de estos equipos reduce los riesgos derivados del polvo.
4. **Uso y cuidado de herramientas eléctricas**
- a. **No sobrecargue la herramienta eléctrica. Use la herramienta eléctrica adecuada para cada aplicación.** Con la herramienta eléctrica adecuada podrá trabajar mejor y más seguro dentro del margen de potencia indicado.
- b. **No utilice herramientas eléctricas con un interruptor defectuoso.** Las herramientas eléctricas que no se puedan conectar o desconectar son peligrosas y deben hacerse reparar.
- c. **Desconecte de la herramienta eléctrica el enchufe de la fuente de alimentación y de la batería antes de realizar cualquier ajuste, cambiar accesorios o guardar la herramienta.** Esta medida preventiva reduce el riesgo de conectar accidentalmente la herramienta eléctrica.
- d. **Guarde las herramientas eléctricas fuera del alcance de los niños y de las personas que no estén familiarizadas con su uso.** Las herramientas eléctricas utilizadas por personas inexpertas son peligrosas.
- e. **Cuide sus herramientas eléctricas con esmero. Controle si funcionan correctamente, sin atascarse, las partes móviles de la herramienta eléctrica, y si existen partes rotas o deterioradas que pudieran afectar al funcionamiento de la herramienta. Si la herramienta eléctrica estuviese defectuosa haga que la reparen antes de volver a utilizarla.** Muchos accidentes se deben a herramientas eléctricas con un mantenimiento deficiente.
- f. **Mantenga las herramientas de corte limpias y afiladas.** Las herramientas de corte mantenidas correctamente se dejan guiar y controlar mejor.
- g. **Utilice la herramienta eléctrica, los accesorios, los útiles de la herramienta, etc. de acuerdo con estas instrucciones, y tenga en cuenta las condiciones de trabajo y la tarea a realizar.** El uso de herramientas eléctricas para trabajos diferentes de aquellos para los que han sido concebidas puede resultar peligroso.

5. **Servicio técnico**
- h. **Haga reparar su herramienta eléctrica sólo por personal técnico autorizado que emplee exclusivamente piezas de repuesto originales.** Solamente así se garantiza la seguridad de la herramienta eléctrica.

Advertencias de seguridad adicionales para herramientas eléctricas



¡Atención! Advertencias de seguridad adicionales para las sierras de calar.

- ◆ **Sujete la herramienta eléctrica por la superficie protegida cuando realice tareas donde el accesorio de corte pueda entrar en contacto con su propio cable.** Si dicho accesorio entra en contacto con un cable conectado, podrían quedar expuestas las partes metálicas y provocar una descarga eléctrica al usuario.
- ◆ **Utilice pinzas u otro método práctico para asegurar y sujetar la pieza de trabajo a una plataforma estable.** Si sostiene la pieza con la mano o contra el cuerpo hay posibilidades de que pierda el control.
- ◆ **Mantenga las manos alejadas de la zona de corte.** Nunca ponga la mano bajo la pieza de trabajo. No introduzca los dedos en los alrededores de la hoja reciprocante ni en el enganche de ésta. No establezca la sierra agarrando la base.
- ◆ **Mantenga las hojas afiladas.** La hojas flojas o dañadas pueden provocar que la sierra dé un viraje brusco o se paralice al ejercer la presión para el corte. Utilice siempre el tipo de hoja de serrar apropiada para cada tipo de material de trabajo y corte.
- ◆ **Al cortar una cañería o tubo asegúrese que no contienen restos de agua, cableado eléctrico, etc.**
- ◆ **No toque la pieza de trabajo o la hoja justo después de utilizar la herramienta.** Pueden alcanzar temperaturas muy elevadas.
- ◆ **Tenga en cuenta los peligros ocultos, antes de serrar paredes, suelos o techos, compruebe la ubicación de los cables y tubos.**
- ◆ **La hoja seguirá moviéndose después de soltar el interruptor.** Apague la herramienta y espere siempre que la hoja se detenga completamente antes de dejar la herramienta.

¡Atención! El contacto o inhalación del polvo procedente de la sierra puede poner en peligro la salud del usuario y de cualquier otra persona que se encuentre alrededor. Utilice una mascarilla diseñada específicamente para proteger contra el polvo y los vapores, y asegúrese de que las demás personas que se encuentren dentro, o vayan a entrar en el área de trabajo, también estén protegidas.

En este manual de instrucciones se describe el uso para el que se ha diseñado el aparato. La utilización de accesorios o la realización de operaciones con esta herramienta distintas de las recomendadas en este manual de instrucciones puede presentar un riesgo de lesiones y/o daños materiales.

Seguridad de terceros

Las personas (incluyendo niños) con capacidades físicas, sensoriales o mentales disminuidas o que carezcan de experiencia y conocimientos no deben utilizar esta herramienta, salvo que hayan recibido supervisión o formación con respecto al uso del aparato por parte de una persona responsable de su seguridad. Los niños deben vigilarse en todo momento para garantizar que el aparato no se toma como elemento de juego.

Vibración

El valor de emisión de vibraciones declarado en el apartado de características técnicas y en la declaración de conformidad se ha calculado según un método de prueba estándar proporcionado por la norma EN 60745 y podrá utilizarse para comparar una herramienta con otra. El valor de emisión de vibraciones declarado también podrá utilizarse en una evaluación preliminar de la exposición.

¡Atención! El valor de emisión de vibraciones durante el funcionamiento real de la herramienta eléctrica puede diferir del valor declarado en función de cómo se utilice dicha herramienta. El nivel de las vibraciones puede aumentar por encima del nivel declarado.

Al evaluar la exposición a las vibraciones con el fin de determinar las medidas de seguridad que exige la norma 2002/44/CE para proteger a las personas que utilizan periódicamente herramientas eléctricas en sus puestos de trabajo, deberá tenerse en cuenta una estimación de la exposición a las vibraciones, las condiciones de uso reales y el modo de empleo de la herramienta, así como los pasos del ciclo operativo como, por ejemplo, el número de veces que la herramienta se apaga y se desconecta y el tiempo de activación.

Etiquetas en las herramientas



¡Atención! Para reducir el riesgo de lesiones, el usuario debe leer el manual de instrucciones.

Seguridad eléctrica



La herramienta lleva un doble aislamiento; por lo tanto no requiere de una toma a tierra. Compruebe siempre que la tensión de la red corresponda con el valor indicado en la placa de datos de la herramienta.

Si se llegase a dañar el cable de alimentación, deberá ser sustituido por el fabricante o por un centro de asistencia técnica autorizado de Black & Decker para evitar cualquier situación de riesgo.

Instrucciones de seguridad adicionales para pilas no recargables

No intente abrirlas bajo ningún concepto.

No las almacene en lugares en los que la temperatura pueda superar los 40°C.

Cuando vaya a desechar las baterías, siga las instrucciones facilitadas en la sección "Protección del medio ambiente".

No incinere las pilas.

Es posible que se produzcan fugas en las pilas en condiciones extremas. Si observa líquido en las pilas, siga el procedimiento indicado a continuación:

- Limpie cuidadosamente el líquido con un paño. Evite el contacto con la piel.

Instrucciones de seguridad adicionales para aparatos con láser



Lea este manual con atención.



Los menores de 16 años no deben utilizar este producto.



Radiación del láser.



No mire directamente el rayo láser.



No utilice herramientas ópticas para mirar el rayo láser.

El láser cumple con la clase 2 de acuerdo con las normas EN 60825-1:2007. No sustituya el diodo láser por otro de diferente tipo. Si se daña el láser, solicite la reparación del mismo al servicio técnico autorizado. No utilice el láser para un fin diferente a proyectar líneas.

- ◆ Una exposición a un láser de clase 2 inferior a 0,25 segundos se considera que no tiene riesgos. Como norma general, el acto reflejo natural al parpadear proporcionará la protección adecuada. A distancias mayores de 1 m, el láser cumple con la clase 1 y, por tanto, se considera totalmente seguro.
- ◆ Nunca mire directa e intencionadamente el rayo láser.
- ◆ No utilice herramientas ópticas para mirar el rayo láser.
- ◆ No coloque la herramienta en un lugar en el que el rayo láser pueda incidir en una persona a la altura de la cabeza.
- ◆ No permita que los niños se acerquen al láser.

Características

1. Selector de control de velocidad variable
2. Conmutador ON/OFF (encendido/apagado)
3. Botón de bloqueo
4. Tapa del compartimento de almacenamiento de hojas
5. Palanca de bloqueo de la base
6. Salida de aspiración de polvo
7. Base
8. Rodillo de apoyo para la hoja de sierra
9. Selector de movimiento basculante

Características adicionales (fig. A)

Las características adicionales serán aplicables en función del producto adquirido. Las características adicionales aplicables al número de catálogo del producto adquirido se indican en la figura A.

Montaje

¡Atención! Antes de llevar a cabo cualquiera de las siguientes operaciones, asegúrese de que la herramienta está desconectada, desenchufada y que la hoja se ha detenido. Después de utilizar la hoja, ésta puede estar caliente.

Montaje y desmontaje de la hoja de sierra (fig. B y C)

¡Atención! Antes de llevar a cabo cualquiera de las siguientes operaciones, asegúrese de que la herramienta está desconectada, desenchufada y que la hoja se ha detenido. Después de utilizar la hoja, ésta puede estar caliente.

Colocación de la hoja (fig. B)

- ◆ Coloque la hoja (10) como se muestra en la ilustración, con los dientes hacia delante.
- ◆ Presione el enganche de la hoja (11) y manténgalo en esta posición.
- ◆ Introduzca el vástago de la hoja en el soporte (12) hasta que encaje.
- ◆ Libere el enganche de la hoja (11).

Almacenamiento de la hoja (fig. C)

Las hojas (10) se pueden guardar en el compartimento de almacenamiento (4) que se encuentra en el lateral de la herramienta.

- ◆ Sujete la lengüeta de la parte superior de la tapa del compartimento de almacenamiento de hojas (4) y tire de ésta hacia fuera para abrirla.
- ◆ Las hojas se mantienen en el compartimento gracias a una banda magnética. Para extraer una hoja, presiónela por un extremo para que se levante el otro y, a continuación, retírela.
- ◆ Cierre la tapa del compartimento de almacenamiento para hojas de sierra (4) y compruebe que queda correctamente cerrada.

¡Atención! Cierre bien el compartimento de almacenamiento antes de utilizar la sierra.

Conexión de una aspiradora a la herramienta (fig. D)

Se necesita un adaptador (13) para conectar una aspiradora o un extractor de polvo a la herramienta.

- ◆ Introduzca el adaptador (13) en la salida de aspiración de polvo (6).
- ◆ Conecte la manguera de la aspiradora (14) al adaptador (13).

Soplador de línea de corte (fig. E)

- ◆ Para ayudar a la visibilidad mientras se está realizando el corte, la sierra de calar incorpora un soplador de línea de corte (15) que permite mantener la zona de corte limpia de polvo mientras sierra.

Riesgos residuales

El uso de esta herramienta puede producir riesgos residuales adicionales no incluidos en las advertencias de seguridad adjuntas. Estos riesgos se pueden generar por un uso incorrecto, demasiado prolongado, etc.

El cumplimiento de las normas de seguridad correspondientes y el uso de dispositivos de seguridad no evitan ciertos riesgos residuales. Estos riesgos incluyen:

- ◆ Lesiones producidas por el contacto con piezas móviles o giratorias.
- ◆ Lesiones producidas al cambiar cualquier pieza, cuchilla o accesorio.
- ◆ Lesiones producidas al usar una herramienta por un tiempo demasiado prolongado. Si utiliza una herramienta durante periodos de tiempo demasiado prolongados, asegúrese de realizar pausas con frecuencia.
- ◆ Discapacidad auditiva.

- ◆ Riesgos para la salud producidos al respirar el polvo que se genera al usar la herramienta (por ejemplo: en los trabajos con madera, especialmente de roble, haya y tableros de densidad mediana).

Uso

Ajuste de la base para cortes biselados (fig. F y G)

¡Atención! Nunca utilice la herramienta sin la base montada y correctamente apretada.

Es posible ajustar la base (7) en un ángulo en bisel izquierdo o derecho de hasta 45°.

- ◆ Tire de la palanca de bloqueo de la base (5) hacia fuera para desbloquear la base (7) de la posición de cero grados.
- ◆ Tire de la base (7) hacia delante y ajuste el bisel a 15°, 30° o 45° indicado en el visor del ángulo en bisel.
- ◆ Eche hacia atrás la palanca de bloqueo de la base (5) en dirección a la sierra para bloquear la base (7).

Para reajustar la base (7) para cortes rectos:

- ◆ Tire de la palanca de bloqueo de la base (5) hacia fuera para desbloquear la base (7).
- ◆ Ajuste la base (7) en un ángulo aproximado de 0° y, a continuación, empujela hacia atrás.
- ◆ Eche hacia atrás la palanca de bloqueo de la base (5) en dirección a la sierra para bloquear la base (7).

Ajuste del movimiento basculante (fig. H)

- ◆ Ajuste el selector de movimiento basculante (9) hasta la posición indicada.
- ◆ Posición 0: metal y aluminio y planchas de metal.
- ◆ Posición I: para materiales laminados, maderas duras y superficies de trabajo.
- ◆ Posición II: para madera contrachapada y PVC/Plásticos.
- ◆ Posición III: para madera suave y madera de serrado rápido.

Control de la velocidad variable

- ◆ Ajuste el selector de control de la velocidad variable (1) en la velocidad adecuada.
- ◆ Utilice la velocidad alta para madera, la media para aluminio y PVC y la baja para metales diferentes al aluminio.

Encendido y apagado

- ◆ Para encender la herramienta, pulse el botón de encendido/apagado (2).
- ◆ Para apagar la herramienta, suelte el interruptor ON/OFF (2).
- ◆ Para un funcionamiento continuo, pulse el botón de bloqueo (3) y suelte el botón de encendido/apagado (2).

- ◆ Para apagar la herramienta mientras esté activado el funcionamiento continuo, pulse el botón de encendido/apagado (2) y suéltelo.

Serrado

Sostenga firmemente la herramienta con las dos manos durante el corte.

La base (7) debe sostenerse firmemente contra el material que se va a cortar. Esto ayudará a evitar que la sierra salte, reducirá la vibración y disminuirá las posibilidades de rotura de la hoja.

- ◆ Deje que la hoja se mueva durante unos segundos antes de empezar a cortar.
- ◆ Aplique presión suavemente a la herramienta mientras realiza el corte.

Funcionamiento del láser (fig. I - L) (sólo para la unidad KS900EL)

Instalación de las pilas (fig. I)

Separe el módulo de láser (17) de la sierra de calar. Para ello, extraiga el tornillo (16) y tire del módulo de láser hacia delante. Introduzca dos pilas alcalinas AAA de 1,5 Voltios nuevas, asegurándose de que hace coincidir los terminales positivo (+) y negativo (-) correctamente. Vuelva a colocar el módulo de láser (17).

Ajuste lateral del láser (fig. J)

Nota: El láser se considera como una guía para el corte y no garantiza un corte con precisión.

¡Atención! No ajuste el láser con la sierra enchufada.

- ◆ Si fuera necesario, utilice los tornillos de ajuste del láser (18) para alinear la línea del láser con la hoja.

La visibilidad del láser (brillo) se reducirá si la sierra se recalienta. Es posible que el láser no sea visible si la sierra se utiliza continuamente durante un periodo de tiempo prolongado. El brillo del láser volverá gradualmente cuando la herramienta se enfríe aunque esté desenchufada.

¡Atención! No deje encendido el láser recalentado.

Asegúrese de que el botón de encendido/apagado se encuentra en la posición OFF y extraiga las pilas para cortar la alimentación del láser.

Utilización del láser (figura K - L)

El láser proyecta la línea de corte (21) sobre la superficie de la pieza de trabajo.

- ◆ Para encender el láser, pulse el botón (19).
- ◆ Para apagar el láser, vuelva a pulsar el botón (19).

Si mira directamente por encima de la sierra de calar, la línea de corte (21) se puede seguir fácilmente. En caso de que la visibilidad esté obstruida por cualquier motivo, el láser se puede utilizar como una guía de corte alternativa.

- ◆ Utilice un lápiz para marcar la línea de corte (20).
- ◆ Coloque la sierra de calar encima de la línea (20).
- ◆ Encienda el láser.

Consejos para un uso óptimo

Serrado de material laminado

Al realizar el corte, es posible que se astille el laminado y, por consiguiente, que se dañe la superficie de presentación. La mayoría de hojas de sierra cortan con movimiento hacia arriba, por lo que, si la base está apoyada en la superficie de presentación, utilice una hoja de sierra que corte hacia abajo o:

- ◆ Utilice una hoja de sierra con dientes pequeños.
- ◆ Sierre por la parte trasera de la pieza de trabajo.
- ◆ Para minimizar el astillado de la superficie, sujete una plancha de madera o metal a ambos lados de la pieza de trabajo y sierre el conjunto.

Serrado de metal

Tenga en cuenta que serrar metal lleva mucho más tiempo que serrar madera.

- ◆ Utilice una hoja apropiada para serrar metal.
- ◆ Cuando corte una plancha de metal delgada, sujete un tablero o trozo de madera en la parte trasera de la pieza de trabajo y corte el conjunto.
- ◆ Extienda una película de aceite a lo largo de la línea que va a cortar.

Mantenimiento

La herramienta de Black & Decker ha sido diseñada para que funcione durante un largo período de tiempo con un mantenimiento mínimo. El funcionamiento satisfactorio continuado depende de un cuidado apropiado y una limpieza periódica de la herramienta.

- ◆ Limpie periódicamente las ranuras de ventilación de la herramienta con un cepillo suave o un paño seco.
- ◆ Limpie periódicamente la carcasa del motor con un paño húmedo. No utilice limpiadores de base abrasiva ni disolventes. Evite que penetre líquido en el interior de la herramienta y nunca sumerja ninguna parte de la misma en líquido.

Protección del medio ambiente



Recogida selectiva. No se debe desechar este producto con el resto de residuos domésticos.

Si llegase el momento en que fuese necesario sustituir su producto Black & Decker o si éste dejase de tener utilidad para usted, no lo deseche junto con los residuos domésticos. Sepárelo para su recogida selectiva.



La recogida selectiva de productos y embalajes usados permite el reciclaje de materiales y su reutilización. La reutilización de materiales reciclados contribuye a evitar la contaminación medioambiental y reduce la demanda de materias primas.

Las normativas municipales deben ofrecer la recogida selectiva de productos eléctricos del hogar, en puntos municipales previstos para ello o a través del distribuidor en el caso en que se adquiera un nuevo producto.

Black & Decker proporciona facilidades para la recogida y reciclado de los productos Black & Decker que hayan llegado al final de su vida útil. Para poder utilizar este servicio, le rogamos entregue el producto a cualquier servicio técnico autorizado que se hará cargo de él en nuestro nombre.

Para consultar la dirección del servicio técnico más cercano póngase en contacto con la oficina local de Black & Decker en la dirección que se indica en este manual. Como alternativa, se puede consultar en Internet, en la dirección siguiente, la lista de servicios técnicos autorizados e información completa sobre nuestros servicios de postventa y contactos: www.2helpU.com.

Baterías



Al final de su vida útil, deséchelas respetando el medio ambiente:

- ◆ Procure no provocar un cortocircuito entre los terminales de la batería.
- ◆ No arroje las baterías al fuego, ya que podría provocar daños personales o una explosión.
- ◆ Deje que la batería se agote por completo y, a continuación, extráigala de la herramienta.
- ◆ Las baterías son reciclables. Coloque las baterías en un embalaje adecuado de modo que los terminales no entren en contacto y provoquen un cortocircuito. Llévela

al agente autorizado más cercano o a un centro de reciclaje local.

Características técnicas

	KS900E TYPE 1 KS900EL TYPE 1
Voltaje	V de CA 230
Entrada nominal	W 600
Velocidad sin carga	min. ⁻¹ 800-3,000
Profundidad máxima de corte	
Madera	mm 85
Acero	mm 5
Aluminio	mm 15
Peso	kg 2,36
(con láser)	kg 2,66

Nivel de presión sonora de acuerdo con la directiva EN 60745:

Presión sonora (L_{pA}) 87 dB (A), incertidumbre (K) 3 dB (A)
Potencia sonora (L_{WA}) 98 dB (A), incertidumbre (K) 3 dB (A)

Valores totales de vibración (suma vectorial triaxial) de acuerdo con la norma EN 60745:

Corte de madera ($a_{h, CW}$) 10,5 m/s², incertidumbre (K) 1,5 m/s²
Corte de metal ($a_{h, CM}$) 14,5 m/s², incertidumbre (K) 1,5 m/s²

Declaración de conformidad CE
DIRECTIVA DE MÁQUINAS



KS900E, KS900EL

Black & Decker afirma que los productos descritos en la sección "Características técnicas" cumplen con las normativas siguientes:
2006/42/CE, EN60745-1 y EN60745-2-11.

Para más información, póngase en contacto con Black & Decker en la dirección siguiente o consulte el dorso de este manual.

El abajo firmante es responsable de la recopilación del archivo técnico y realiza esta declaración en nombre de Black & Decker..

Kevin Hewitt
Vice-President Global Engineering
Black & Decker Europe,
210 Bath Road, Slough,
Berkshire, SL1 3YD
Reino Unido
14-02-2011

Garantía

Black & Decker confía plenamente en la calidad de sus productos y ofrece una garantía extraordinaria. Esta declaración de garantía es un añadido, y en ningún caso un perjuicio para sus derechos estatutarios. La garantía es válida dentro de los territorios de los Estados miembros de la Unión Europea y de los de la Zona Europea de Libre Comercio.

Si cualquier producto de Black & Decker resultara defectuoso debido a materiales o mano de obra defectuosos o a la falta de conformidad, Black & Decker garantiza, dentro de los 24 meses posteriores a la fecha de compra, la sustitución de las piezas defectuosas, la reparación de los productos sujetos a un desgaste y rotura razonables o la sustitución de tales productos para garantizar al cliente el mínimo de inconvenientes, a menos que:

El producto se haya utilizado con propósitos comerciales, profesionales o de alquiler.

El producto se haya sometido a un uso inadecuado o negligente.

- ◆ El producto haya sufrido daños causados por objetos o sustancias extrañas o accidentes.
- ◆ Se hayan realizado reparaciones por parte de personas que no sean del servicio técnico autorizado o personal de servicios de Black & Decker.

Para reclamar en garantía, será necesario que presente la prueba de compra al vendedor o al servicio técnico de reparaciones autorizado. Pueden consultar la dirección de su servicio técnico más cercano poniéndose en contacto con la oficina local de Black & Decker en la dirección que se indica en este manual. Como alternativa, se puede consultar en Internet, en la dirección siguiente, la lista de servicios técnicos autorizados e información completa de nuestros servicios de posventa y contactos:

www.2helpU.com

Visite el sitio web **www.blackanddecker.eu** para registrar su nuevo producto Black & Decker y estar al día sobre productos y ofertas especiales. Encontrará información adicional sobre la marca Black & Decker y nuestra gama de productos en **www.blackanddecker.eu**.

Utilização

A sua serra eléctrica Black & Decker foi concebida para serrar madeira, metal e plástico. Esta ferramenta destina-se apenas a utilização doméstica.

Instruções de segurança

Avisos de segurança gerais para ferramentas eléctricas



Advertência! Leia com atenção todos os avisos de segurança e instruções. O não cumprimento de todas as instruções pode resultar em choque eléctrico, incêndio e/ou graves lesões.

Guarde todos os avisos e instruções para consulta futura.

A expressão “ferramenta eléctrica” utilizada a seguir refere-se a ferramentas eléctricas com ligação à corrente eléctrica (com cabo) ou com bateria (sem fios).

1. **Segurança na área de trabalho**
 - a. **Mantenha a área de trabalho limpa e bem iluminada.** Áreas desarrumadas e mal iluminadas são propícias a acidentes.
 - b. **Não trabalhe com ferramentas eléctricas em áreas com risco de explosão, nas quais se encontrem líquidos, gases ou poeiras inflamáveis.** As ferramentas eléctricas produzem faíscas que podem provocar a ignição de poeiras ou vapores.
 - c. **Mantenha crianças e outras pessoas afastadas durante a utilização da ferramenta eléctrica.** As distrações podem dar origem a que perca o controlo da ferramenta.
 2. **Segurança eléctrica**
 - a. **A ficha da ferramenta eléctrica deve caber na tomada. A ficha não deve ser modificada de modo algum. Não utilize quaisquer fichas adaptadoras com ferramentas eléctricas ligadas à terra.** Fichas sem modificações e tomadas adequadas reduzem o risco de choques eléctricos.
 - b. **Evite que o corpo entre em contacto com superfícies ligadas à terra, como tubos, radiadores, fogões e frigoríficos.** Existe um maior risco de choque eléctrico se o seu corpo estiver ligado à terra.
 - c. **As ferramentas eléctricas não podem ser expostas a chuva nem humidade.** A penetração de água na ferramenta eléctrica aumenta o risco de choques eléctricos.
 - d. **Manuseie o cabo com cuidado. O cabo não deve ser utilizado para transportar ou pendurar a ferramenta, nem para puxar a ficha da tomada. Mantenha o cabo afastado de calor, óleo, pontas afiadas ou partes móveis.** Cabos danificados ou torcidos aumentam o risco de choques eléctricos.
 - e. **Quando trabalhar com uma ferramenta eléctrica ao ar livre, utilize um cabo de extensão apropriado para esse fim.** A utilização de um cabo apropriado para áreas ao ar livre reduz o risco de choques eléctricos.
 - f. **Se for inevitável trabalhar com uma ferramenta eléctrica num local húmido, utilize um Dispositivo de Corrente Residual (RCD).** A utilização de um RCD reduz o risco de choque eléctrico.
3. **Segurança pessoal**
 - a. **Mantenha-se atento, observe o que está a fazer e seja prudente ao trabalhar com a ferramenta eléctrica. Não utilize uma ferramenta eléctrica se estiver cansado ou sob a influência de drogas, álcool ou medicamentos.** Um momento de falta de atenção durante a utilização de ferramentas eléctricas poderá causar graves lesões.
 - b. **Utilize equipamento de protecção pessoal. Use sempre óculos de protecção.** Equipamento de protecção como, por exemplo, máscara anti-poeiras, sapatos de segurança anti-derrapantes, capacete de segurança ou protecção auricular, de acordo com o tipo e a aplicação de ferramenta eléctrica, reduz o risco de lesões.
 - c. **Evite arranques involuntários. Certifique-se de que o botão está desligado antes de ligar a ferramenta à corrente eléctrica e/ou a bateria, pegando ou transportando a ferramenta.** Transportar ferramentas eléctricas com o dedo no botão ou ligar ferramentas eléctricas à tomada com o interruptor na posição de ligado pode dar origem a acidentes.
 - d. **Retire eventuais chaves de ajuste ou chaves de fendas, antes de ligar a ferramenta eléctrica.** Uma chave de fendas ou chave de ajuste que se encontre numa peça rotativa da ferramenta eléctrica poderá causar lesões.
 - e. **Não se incline. Mantenha-se sempre bem posicionado e em equilíbrio.** Desta forma, será mais fácil controlar a ferramenta eléctrica em situações inesperadas.
 - f. **Utilize vestuário adequado. Não utilize roupas largas nem jóias. Mantenha o cabelo, roupa e luvas afastados de peças em movimento.** Roupas largas, jóias ou cabelos longos podem ficar presos nas peças em movimento.

- g. **Se for prevista a montagem de dispositivos de extracção e recolha de pó, assegure-se de que estão ligados e que são utilizados de forma correcta.** A utilização destes dispositivos reduz os riscos relacionados com pó.
4. **Utilização e manutenção da ferramenta eléctrica**
- a. **Não sobrecarregue a ferramenta eléctrica. Utilize a ferramenta eléctrica adequada para o trabalho pretendido.** A ferramenta eléctrica correcta realizará o trabalho de forma melhor e mais segura, com a potência com que foi concebida.
- b. **Não utilize a ferramenta eléctrica se o interruptor não puder ser ligado nem desligado.** Qualquer ferramenta eléctrica que não possa ser controlada com o interruptor é perigosa e terá de ser reparada.
- c. **Desligue a ficha da tomada e/ou a bateria da ferramenta eléctrica antes de proceder a ajustes, trocar acessórios ou guardar ferramentas eléctricas.** Estas medidas de prevenção de segurança reduzem o risco de ligação inadvertida da ferramenta eléctrica.
- d. **Mantenha as ferramentas eléctricas que não estiverem a ser utilizadas fora do alcance de crianças. Não permita que a ferramenta eléctrica seja utilizada por pessoas não familiarizadas com a mesma ou que não tenham lido estas instruções.** As ferramentas eléctrica são perigosas se utilizadas por pessoas não qualificadas.
- e. **Efectue a manutenção das ferramentas eléctricas. Verifique se as partes móveis estão desalinhadas ou bloqueadas, se existem peças partidas ou qualquer outra situação que possa afectar o funcionamento das ferramentas eléctricas. As peças danificadas devem ser reparadas antes da utilização da ferramenta eléctrica.** Muitos acidentes têm como causa uma manutenção insuficiente das ferramentas eléctricas.
- f. **Mantenha as ferramentas de corte sempre afiadas e limpas.** As ferramentas de corte com a manutenção adequada e as extremidades afiadas bloqueiam com menos frequência e são mais fáceis de controlar.
- g. **Utilize a ferramenta eléctrica, acessórios e peças de ferramenta de acordo com estas instruções, considerando as condições de trabalho e o tarefa a ser executada.** A utilização da ferramenta eléctrica para fins diferentes dos previstos pode resultar em situações perigosas.

5. Reparação

- h. **A ferramenta eléctrica deverá ser reparada por técnicos qualificados que utilizem apenas peças de substituição iguais.** Isto garantirá a manutenção da segurança da ferramenta eléctrica.

Avisos de segurança adicionais para ferramentas eléctricas



Advertência! Avisos de segurança adicionais para serras eléctricas.

- ◆ **Segure a ferramenta eléctrica pelas áreas isoladas quando executar uma operação em que o acessório de corte possa entrar em contacto com a cablagem oculta ou com o seu próprio cabo.** Cortar um acessório em contacto com um cabo "electrificado" poderá expor peças metálicas do sistema eléctrico da ferramenta e provocar um choque eléctrico ao operador.
- ◆ **Utilize grampos ou outro meio prático para fixar e apoiar a peça numa plataforma estável.** Se fixar a peça com a mão ou contra o seu corpo, a peça fica instável e pode dar origem à perda de controlo.
- ◆ **Mantenha as mãos afastadas da área de corte.** Nunca manuseie a parte inferior da peça de trabalho em circunstância alguma. Não introduza os dedos perto da lâmina correspondente e grampo da lâmina. Não estabilize a serra, agarrando a protecção.
- ◆ **Mantenha as lâminas afiadas.** Lâminas embotadas ou danificadas podem desviar ou encravar a serra sob pressão. Utilize sempre o tipo de lâmina de serra adequado ao material e tipo de corte.
- ◆ **Quando cortar tubos ou condutas, certifique-se de que não têm água, cablagem, etc.**
- ◆ **Não toque na peça ou na lâmina depois de utilizar a ferramenta.** Podem estar muito quentes.
- ◆ **Tenha cuidado com os perigos escondidos, antes de cortar em paredes, tectos ou chão devido à localização de fios e tubos.**
- ◆ **A lâmina irá continuar a mover-se depois de desengatar o interruptor.** Desligue sempre a ferramenta e aguarde até que a lâmina da serra pare completamente antes de pousar a ferramenta.

Advertência! O contacto ou a inalação de poeiras originadas pelas aplicações de corte poderá colocar em perigo a saúde do operador ou das pessoas presentes. Utilize uma máscara de protecção contra poeiras especificamente concebida para protecção contra poeiras e vapores e certifique-se de que as pessoas perto da área de trabalho também estão protegidas.

- ⓘ A utilização prevista para este aparelho está descrita no manual de instruções. A utilização de qualquer acessório ou a realização de qualquer operação com este aparelho que não se inclua no presente manual de instruções poderá representar um risco de lesões pessoais e/ou danos materiais.

Segurança de terceiros

- ⓘ Este aparelho não deve ser utilizado por pessoas (incluindo crianças) que apresentem capacidades físicas, sensoriais ou mentais reduzidas ou que não possuam os conhecimentos e a experiência necessários, excepto se forem vigiadas e instruídas acerca da utilização do aparelho por uma pessoa responsável pela sua segurança.
- ⓘ As crianças deverão ser vigiadas para que não mexam no aparelho.

Vibração

Os valores de emissão de vibração declarados na secção de dados técnicos e na declaração de conformidade foram medidos de acordo com o método de teste padrão fornecido pela EN 60745 e podem ser utilizados para comparar ferramentas. O valor de emissão de vibração declarado pode ainda ser utilizado numa avaliação preliminar de exposição.

Advertência! O valor de emissão de vibração durante a utilização actual da ferramenta eléctrica pode ser diferente do valor declarado, dependendo da forma como a ferramenta é utilizada. O nível de vibração pode aumentar acima do nível indicado.

Quando avaliar a exposição da vibração para determinar as medidas de segurança exigidas pela 2002/44/EC para proteger pessoas que utilizem regularmente ferramentas eléctricas, deve ser considerada uma estimativa de exposição de vibração, as actuais condições de utilização e o modo como a ferramenta é utilizada, incluindo ainda todas as partes do ciclo de funcionamento, como os períodos de inactividade e espera da ferramenta, para além do tempo de funcionamento.

Rótulos nas ferramentas



Advertência! Para reduzir o risco de lesões, o utilizador deve ler o manual de instruções.

Segurança eléctrica



Esta ferramenta tem um isolamento duplo e, por isso, não é necessário um fio de terra. Verifique sempre se a fonte de alimentação corresponde à tensão indicada na placa de especificações.

- ⓘ Se o cabo de alimentação for danificado, terá de ser substituído pelo fabricante ou por um centro de assistência autorizado Black & Decker para evitar acidentes.

Instruções de segurança adicionais para pilhas não recarregáveis.

- ⓘ Nunca, por motivo algum, tente abrir as pilhas.
- ⓘ Não as armazene em locais onde a temperatura possa exceder os 40 °C.
- ⓘ Quando eliminar as pilhas, siga as instruções da secção "Proteger o ambiente".
- ⓘ Não efectue uma incineração das pilhas.
- ⓘ Em condições extremas, pode ocorrer uma fuga nas pilhas. Se verificar a existência de líquido nas pilhas, proceda do seguinte modo:
 - Limpe cuidadosamente o líquido com um pano. Evite o contacto com a pele.

Instruções de segurança adicionais para lasers



Leia com atenção todo o manual.



Este produto não deve ser utilizado por crianças com menos de 16 anos.



Radiação laser.



Não olhe directamente para o laser.



Não utilize ferramentas ópticas para visualizar o laser.

- ⓘ Este laser respeita a classe 2 de acordo com a norma EN 60825-1:2007. Não substitua um diodo laser por um tipo diferente. Se o laser estiver danificado, solicite a respectiva reparação a um agente de reparação autorizado.

- ◆ Não utilize o laser para outro fim que não a projecção de riscas de laser.
- ◆ A exposição ocular ao feixe de laser de classe 2 é considerada segura durante um máximo de 0,25 segundos. Os reflexos da pálpebra fornecem normalmente a protecção adequada. O laser respeita a classe 1 a distâncias superiores a 1m, pelo que é considerado completamente seguro.
- ◆ Não olhe directamente para o laser.
- ◆ Não utilize ferramentas ópticas para visualizar o laser.
- ◆ Configure a ferramenta de modo a que o laser não atravesse a altura da cabeça de uma pessoa.
- ◆ Não permita que as crianças se aproximem do laser.

Funções

1. Interruptor de controlo de velocidade variável
2. Interruptor para ligar/desligar
3. Botão de bloqueio
4. Tampa do compartimento de recolha de lâminas
5. Alavanca de bloqueio do arrasto
6. Saída de extracção de poeiras
7. Arrasto
8. Rolo de suporte de lâminas de serra
9. Selector de curso do pêndulo

Funções adicionais (fig. A)

As funções adicionais podem ser aplicadas consoante o produto adquirido. As características adicionais aplicadas ao número do catálogo adquirido são apresentadas na fig. A.

Montagem

Advertência! Antes de tentar executar qualquer uma das operações que se seguem, certifique-se de que a ferramenta está desligada e a lâmina de serra está parada. As lâminas de serra usadas poderão estar quentes.

Montagem e remoção da lâmina da serra (fig. B e C)

Advertência! Antes de tentar executar qualquer uma das operações que se seguem, certifique-se de que a ferramenta está desligada e a lâmina de serra está parada. As lâminas de serra usadas poderão estar quentes.

Colocar a lâmina de serra (fig. B)

- ◆ Segure a lâmina de serra (10) conforme indicado, com os dentes virados para a frente.
- ◆ Pressione para baixo e mantenha pressionado o grampo da lâmina (11).
- ◆ Insira a haste da lâmina de serra no porta-lâminas (12) o mais distante possível.
- ◆ Desengate o grampo da lâmina (11).

Recolher a lâmina de serra (fig. C)

As lâminas de serra (10) podem ser guardadas no compartimento de recolha (4) na parte lateral da ferramenta.

- ◆ Abra a tampa do compartimento de recolha de lâminas de serra (4), segurando a aba na parte superior da tampa e puxando-a para fora.
- ◆ As lâminas estão fixas no compartimento por meio de uma faixa magnética. Para retirar uma lâmina, pressione para baixo uma das extremidades da lâmina para assim elevar a outra extremidade e retire-a.
- ◆ Feche a tampa do compartimento de recolha da lâmina de serra (4) e certifique-se de que está fechada.

Advertência! Feche a porta do compartimento de recolha com firmeza, antes de colocar a serra em funcionamento.

Ligar um aspirador à ferramenta (fig. D)

É necessário um adaptador (13) para ligar um aspirador ou extractor de poeiras à ferramenta.

- ◆ Empurre o adaptador (13) para a saída de extracção de poeiras (6).
- ◆ Ligue o tubo do aspirador (14) ao adaptador (13).

Ventilador de linha de corte (fig. E)

- ◆ Para uma maior visibilidade ao cortar, a sua serra eléctrica está equipada com um ventilador de linha de corte (15) que manterá a superfície de trabalho limpa enquanto corta.

Riscos residuais

Podem surgir riscos residuais adicionais durante a utilização da ferramenta que poderão não constar nos avisos de segurança incluídos. Estes riscos podem resultar de má utilização, uso prolongado, etc.

Mesmo com a aplicação dos regulamentos de segurança relevantes e com a implementação de dispositivos de segurança, alguns riscos residuais não podem ser evitados.

Incluem:

- ◆ ferimentos causados pelo contacto com peças em rotação/movimento.
- ◆ ferimentos causados durante a troca de peças, lâminas ou acessórios.
- ◆ ferimentos causados pela utilização prolongada de uma ferramenta. Quando utilizar uma ferramenta por períodos prolongados, faça intervalos regulares.
- ◆ diminuição da audição.
- ◆ problemas de saúde causados pela inalação de poeiras resultantes da utilização da ferramenta (exemplo: trabalhos em madeira, especialmente carvalho, faia e MDF).

Utilização

Ajustar o arrasto para cortes em bisel (fig. F e G)

Advertência! Não utilize a ferramenta quando o arrasto estiver solto ou removido.

É possível definir o arrasto (7) para um ângulo do bisel esquerdo ou direito até um máximo de 45°.

- ◆ Puxe a alavanca de bloqueio do arrasto (5) para fora para desbloquear o arrasto (7) da posição de 0 graus.
- ◆ Puxe o arrasto (7) para a frente e defina o bisel necessário de 15°, 30° e 45° indicado na janela do ângulo do bisel.
- ◆ Empurre a alavanca de bloqueio do arrasto (5) para trás, em direcção à serra para bloquear o arrasto (7).

Preparar o arrasto (7) para cortes direitos:

- ◆ Puxe a alavanca de bloqueio do arrasto (5) para fora para desbloquear o arrasto (7).
- ◆ Defina o arrasto (7) para um ângulo de 0° e empurre-o para trás.
- ◆ Empurre a alavanca de bloqueio do arrasto (5) para trás, em direcção à serra para bloquear o arrasto (7).

Preparar o curso do pêndulo (fig. H)

- ◆ Coloque o selector de curso do pêndulo (9) na posição que pretende.
- ◆ Posição 0: metal e folha de alumínio e metal.
- ◆ Posição I: para laminados, madeira dura, topos.
- ◆ Posição II: para contraplacado e PVC/Plástico.
- ◆ Posição III: para madeira macia e corte rápido

Controlo de velocidade variável

- ◆ Defina o interruptor de controlo de velocidade variável (1) para a gama de velocidades pretendida.
- ◆ Utilize uma velocidade rápida para madeira, média para alumínio e PVC e lenta para metais que não sejam alumínio.

Ligar e desligar (fig. P)

- ◆ Para ligar a ferramenta, prima o interruptor ligar/desligar (2).
- ◆ Para desligar a ferramenta, solte o interruptor ligar/desligar (2).
- ◆ Para um funcionamento contínuo, prima o botão de bloqueio (3) e solte o interruptor ligar/desligar (2).
- ◆ Para desligar a ferramenta em funcionamento contínuo, prima o interruptor ligar/desligar (2) e solte-o.

Serrar

Segure firmemente a ferramenta com ambas as mãos enquanto corta.

O arrasto (7) deve ser segurado com firmeza contra o material a ser cortado. Isto irá evitar que a serra salte, reduza a vibração e minimize a quebra da lâmina.

- ◆ Deixe a lâmina a trabalhar livremente durante alguns segundos antes de começar a cortar.
- ◆ Exerça um ligeira pressão na ferramenta enquanto corta.

Trabalhar com o laser (fig. I - L) (apenas unidades KS900EL)

Colocar as pilhas (fig. I)

Solte o módulo laser (17) da serra eléctrica, removendo o parafuso (16) e puxando o módulo laser para a frente. Insira duas novas pilhas alcalinas AAA de 1.5 Volts, certificando-se de que coloca correctamente os terminais (+) e (-). Ligue novamente o módulo laser (17).

Ajustar o laser paralelamente (fig. J)

Nota: O laser é um auxiliar de corte e não garante um corte preciso.

Advertência! Não ajuste o laser com a serra eléctrica ligada.

- ◆ Utilize o parafuso de regulação do laser (18) para alinhar a risca de laser com a lâmina de serra, caso seja necessário.

A visibilidade do laser (potência) será reduzida se se verificar um sobreaquecimento na serra eléctrica. O laser poderá não ser visível quando a serra estiver sobrecarregada durante um período de tempo prolongado. A visibilidade do laser regressará gradualmente ao normal quando a ferramenta arrefecer, mesmo quando estiver desligada.

Advertência! Não deixe o laser sobreaquecido LIGADO. Certifique-se de que o interruptor se encontra na posição OFF (desligado) e remova as pilhas para retirar potência ao laser.

Utilizar o laser (fig. K - L)

O laser projecta a linha de corte (21) para a superfície da peça.

- ◆ Para ligar o laser, prima o botão (19).
- ◆ Para desligar o laser, prima novamente o botão (19).

A linha de corte (21) pode ser seguida facilmente se a visualizar directamente acima da serra eléctrica. Caso não consiga obter esta visualização por qualquer motivo, é possível utilizar o laser como guia de corte alternativo.

- ◆ Utilize um lápis para marcar a linha de corte (20).
- ◆ Posicione a serra eléctrica acima da linha (20).
- ◆ Ligue o laser.

Sugestões para uma utilização ideal

Serrar laminados

Quando cortar laminados, poderão formar-se lascas que podem danificar a superfície de apresentação. As lâminas de serra mais comuns cortam em sentido ascendente; assim, se o arrasto estiver assente na superfície de apresentação, utilize uma lâmina de serra que corte em sentido descendente ou:

- ◆ Utilize uma lâmina de serra com dentes em bom estado.
- ◆ Serre a partir da superfície de fundo da peça.
- ◆ Para minimizar a ocorrência de lascas, coloque fragmentos de madeira ou painel duro em ambos os lados da peça e serre no meio deste painel compósito.

Serrar metal

Tenha em atenção que a serração de metal demora muito mais tempo que a serração de madeira.

- ◆ Utilize uma lâmina de serra adequada para a serração de metal.
- ◆ Ao cortar folhas de metal finas, coloque fragmentos de madeira na superfície de fundo da peça e corte no meio deste painel compósito.
- ◆ Espalhe uma camada fina de óleo ao longo da linha de corte pretendida.

Manutenção

A sua ferramenta Black & Decker foi concebida para funcionar por um longo período de tempo com uma manutenção mínima. Um funcionamento contínuo e satisfatório depende de uma manutenção adequada e da limpeza regular da ferramenta.

- ◆ Limpe regularmente as aberturas de ventilação da ferramenta com uma escova suave ou um pano seco.
- ◆ Limpe regularmente o compartimento do motor com um pano húmido. Não utilize nenhum produto de limpeza abrasivo ou à base de solvente. Nunca deixe nenhum líquido entrar na ferramenta e nunca submerja nenhuma parte da ferramenta em líquido.

Protecção do ambiente



Recolha separada. Este produto não pode ser eliminado juntamente com os resíduos domésticos normais.

Se, em algum momento, for necessário substituir o aparelho ou se este deixar de ter utilidade, não elimine o produto num caixote do lixo. Este produto pode ser separado para reciclagem.



A recolha separada de produtos e embalagens usados permite que os materiais sejam reciclados e novamente utilizados. A reutilização de materiais reciclados ajuda a evitar a poluição ambiental e reduz a procura de matérias-primas.

A legislação local poderá prever a recolha separada de produtos domésticos eléctricos, seja em lixeiras municipais ou através do revendedor quando adquire um produto novo.

A Black & Decker dispõe de instalações para recolha e reciclagem de produtos Black & Decker quando estes atingem o fim da sua vida útil. Para usufruir deste serviço, devolva o produto em qualquer agente de reparação autorizado, que os recolherá em seu nome.

Pode verificar a localização do agente de reparação autorizado mais perto de si, contactando os escritórios locais da Black & Decker através do endereço indicado neste manual. Se preferir, pode encontrar na Internet uma lista de agentes de reparação autorizados Black & Decker, detalhes completos e contactos do serviço pós-venda, no endereço: www.2helpU.com.

Pilhas



Quando as baterias chegarem ao fim da sua vida útil, elimine-as de forma segura para o ambiente:

- ◆ Não coloque os terminais da bateria em curto-circuito.
- ◆ Não elimine as baterias queimando-as, existe risco de ferimentos pessoais ou uma explosão.
- ◆ Deixe a bateria descarregar completamente e, em seguida, remova-a da ferramenta.
- ◆ As baterias são recicláveis. Coloque as baterias numa embalagem adequada, certificando-se de que os terminais não entram em curto-circuito. Leve as baterias ao seu agente de manutenção autorizado ou a uma estação de reciclagem local.

Dados técnicos

	KS900E TYPE 1 KS900EL TYPE 1
Tensão	Vac 230
Entrada classificada	W 600
Sem velocidade de carga	min ⁻¹ 800-3000
Profundidade máx. de corte	
Madeira	mm 85
Aço	mm 5
Alumínio	mm 15
Peso	kg 2,36
(com laser)	kg 2,66

Nível de pressão sonora de acordo com EN 60745:

Pressão sonora (L_{pA}) 87 dB(A), imprecisão (K) 3 dB(A)

Potência sonora (L_{WA}) 98 dB(A), imprecisão (K) 3 dB(A)

Valores totais de vibração (soma vectores triax)
de acordo com EN 60745:

Cortar madeira ($a_{h, CW}$) 10,5 m/s², imprecisão (K) 1,5 m/s²

Cortar metal ($a_{h, CM}$) 14,5 m/s², imprecisão (K) 1,5 m/s²

Declaração de conformidade CE
DIRECTIVA DE MAQUINARIA



KS900E, KS900EL

A Black & Decker declara que estes produtos descritos em "dados técnicos" estão em conformidade com: 2006/42/EC, EN60745-1, EN60745-2-11

Para obter mais informações, contacte a Black & Decker no endereço indicado ou consulte a parte posterior do manual.

O signatário é responsável pela compilação do ficheiro técnico e efectua esta declaração em nome da Black & Decker.

Kevin Hewitt
Vice-President Global Engineering
Black & Decker Europe,
210 Bath Road, Slough,
Berkshire, SL1 3YD
Reino Unido
14-02-2011

Garantia

A Black & Decker confia na qualidade dos seus produtos e oferece uma garantia excelente. Esta declaração de garantia é um complemento dos seus direitos estabelecidos por lei, não os prejudicando de forma alguma. A garantia é válida nos territórios dos Estados Membros da União Europeia e da Associação Europeia de Comércio Livre.

Se um produto Black & Decker se avariar devido a defeitos de material, fabrico ou não conformidade, num período de 24 meses após a data da compra, a Black & Decker garante a substituição de peças defeituosas, a reparação de produtos sujeitos a um desgaste aceitável ou a substituição dos mesmos para garantir o mínimo de inconveniente ao cliente, excepto se:

- O produto tiver sido utilizado para fins comerciais, profissionais ou de aluguer.
- O produto tiver sido submetido a utilização indevida ou descuido.
- O produto tiver sido danificado por objectos estranhos, substâncias ou acidentes.

- ◆ Tiverem sido tentadas reparações por pessoas que não sejam agentes de reparação autorizados ou técnicos de manutenção da Black & Decker.

Para accionar a garantia, terá de apresentar comprovativos de compra ao vendedor ou a um agente de reparação autorizado. Pode verificar a localização do agente de reparação autorizado mais perto de si, contactando os escritórios locais da Black & Decker através do endereço indicado neste manual. Se preferir, pode encontrar na Internet uma lista de agentes de reparação autorizados Black & Decker, detalhes completos e contactos do serviço pós-venda, no endereço:

www.2helpU.com

Visite o nosso website **www.blackanddecker.eu** para registar o novo produto Black & Decker e manter-se actualizado relativamente a novos produtos e ofertas especiais. Pode encontrar mais informações sobre a marca Black & Decker e nossa gama de produtos em

www.blackanddecker.eu

Användningsområde

Din Black & Decker-figursåg är avsedd för sågning i trä, metall och plast. Verktyget är endast avsett som konsumentverktyg.

Säkerhetsinstruktioner

Allmänna säkerhetsanvisningar för elverktyg



Varning! Läs alla säkerhetsföreskrifter och alla anvisningar. Om anvisningarna nedan inte följs kan det orsaka elektriska stötar, brand och/eller allvarliga kroppsskador.

Spara alla säkerhetsföreskrifter och anvisningar för framtida bruk.

Nedan använt begrepp "Elverktyg" hänför sig till nätdrivna elverktyg (med nätsladd) och till batteridrivna elverktyg (sladdlösa).

1. **Säkerhet i arbetsområdet**
 - a. **Håll arbetsplatsen ren och välbelyst.** Oordning på arbetsplatsen och dåligt belyst arbetsområde kan leda till olyckor.
 - b. **Använd inte elverktyget i explosionsfarlig omgivning med brännbara vätskor, gaser eller damm.** Elverktygen alstrar gnistor som kan antända dammet eller gaserna.
 - c. **Håll under arbetet med elverktyget barn och andra personer på betryggande avstånd.** Om du blir störd kan du förlora kontrollen över elverktyget.
2. **Elektrisk säkerhet**
 - a. **Elverktygets stickkontakt måste passa till eluttaget. Stickkontakten får absolut inte ändras. Använd inte adapterkontakter tillsammans med jordade elverktyg.** Med oförändrade stickkontakter och passande vägguttag minskas risken för elstöt.
 - b. **Undvik kroppskontakt med jordade ytor som t.ex. rör, värmeelement, spisar och kylskåp.** Risken för elektriska stötar ökar om din kropp är jordad.
 - c. **Skydda elverktyget mot regn och väta.** Om vatten tränger in i ett elverktyg ökar risken för elektriska stötar.
 - d. **Hantera inte nätsladden ovarsamt. Använd inte sladden för att bära eller dra elverktyget och inte heller för att dra ut verktyget ur vägguttaget. Håll nätsladden borta från värme, olja, skarpa kanter och rörliga maskindelar.** Risken att du får en elstöt är större om sladdarna är skadade eller tilltrasslade.
 - e. **Använd endast förlängningssladdar som är godkända för utomhusbruk när du arbetar med elverktyg utomhus.** Om du använder en förlängningssladd som är avsedd för utomhusbruk minskar risken för att du ska få en elstöt.
- f. **Om du måste använda ett elverktyg på en fuktig plats ska du använda jordfelsbrytare.** Jordfelsbrytaren minskar risken för stötar/elchock.
3. **Personlig säkerhet**
 - a. **Var uppmärksam, se på vad du gör och använd elverktyget med förnuft. Använd inte elverktyget när du är trött eller om du är påverkad av droger, alkohol eller mediciner.** Under användning av elverktyg kan även en kort ouppmärksamhet leda till allvarliga kroppsskador.
 - b. **Använd skyddsutrustning. Bär alltid skyddsglasögon.** Den personliga skyddsutrustningen, t.ex. dammfiltermask, halkfria säkerhetsskor, hjälm och hörselskydd, reducerar risken för kroppsskada när den används vid rätt tillfällen.
 - c. **Undvik oavsiktlig igångsättning. Kontrollera att strömbrytaren står i avstängt läge innan du ansluter verktyget till elnätet eller sätter i batteriet, samt innan du tar upp eller bär verktyget.** Det kan vara mycket farligt att bära ett elverktyg med fingret på strömbrytaren eller koppla det till nätet respektive sätta i batteriet med strömbrytaren i till-läge.
 - d. **Ta bort alla inställningsverktyg och skruvnycklar innan du startar elverktyget.** Ett verktyg eller en nyckel i en roterande komponent kan orsaka kroppsskada.
 - e. **Sträck dig inte för långt. Se till att du alltid har säkert fotfäste och balans.** Därmed har du bättre kontroll över elverktyget i oväntade situationer.
 - f. **Bär lämpliga kläder. Bär inte löst hängande kläder eller smycken. Håll undan hår, kläder och handskar från rörliga delar.** Löst hängande kläder, smycken och långt hår kan fastna i roterande delar.
 - g. **Om elverktyget har dammsugnings- och -uppsamlingsutrustning, kontrollera att anordningarna är rätt monterade och används på korrekt sätt.** Dessa anordningar reducerar de risker som kan uppstå i samband med damm.
4. **Bruk och skötsel av elverktyg**
 - a. **Överbelasta inte elverktyget. Använd rätt elverktyg för det aktuella arbetet.** Med rätt elverktyg kan du arbeta bättre och säkrare med det som verktyget är avsett för.
 - b. **Använd inte elverktyget om det inte går att starta och stänga av det med strömbrytaren.** Ett elverktyg som inte kan startas och stängas av med strömbrytaren är farligt och måste repareras.
 - c. **Dra stickproppen ur vägguttaget och/eller ta ur batteriet ur elverktyget innan inställningar utförs, tillbehörsdelar byts ut eller elverktyget ställs undan.** Denna skyddsåtgärd förhindrar oavsiktlig inkoppling av elverktyget.

- d. Förvara elverktygen utom räckhåll för barn. Låt inte elverktyget användas av personer som inte är vana vid det, eller som inte läst denna bruksanvisning. Elverktyg är farliga om de används av ovana personer.
- e. Sköt elverktyget omsorgsfullt. Kontrollera att rörliga komponenter fungerar felfritt och inte kärvar, att komponenter inte brustit eller skadats och inget annat föreligger som kan påverka elverktygets funktioner. Om elverktyget är skadat, se till att få det reparerat innan det används. Många olyckor orsakas av dåligt skötta elverktyg.
- f. Håll skärverktyg vassa och rena. Omsorgsfullt skötta skärverktyg med skarpa eggar fastnar inte så lätt och är lättare att hantera.
- g. Använd elverktyget, tillbehör, insatsverktyg osv. enligt dessa anvisningar och på sätt som föreskrivits för aktuell verktygsmodell. Ta hänsyn till arbetsvillkoren och arbetsmomenten. Används elverktyget på icke ändamålsenligt sätt kan farliga situationer uppstå.
5. Service
- h. Låt endast kvalificerad fackpersonal reparera elverktyget och använd endast originalreservdelar. Detta garanterar att elverktyget förblir säkert.

Ytterligare säkerhetsanvisningar för elverktyg



Varning! Extra säkerhetsföreskrifter för figursågar.

- ◆ Håll i de isolerade greppytorna på elverktyget i situationer där dolda kablar eller verktygets egen sladd riskerar att kapas. Kontakt med en strömförande ledning vid kapning kan göra oisolerade metalldelar på elverktyget strömförande och användaren kan få en stöt.
 - ◆ Fäst arbetsstycket vid ett stabilt underlag med klämmor eller på något annat lämpligt sätt. Om du håller i arbetsstycket med handen eller trycker det mot kroppen blir det instabilt, och du kan förlora kontrollen.
 - ◆ Håll händerna borta från sågningsområdet. Sträck aldrig in händerna under arbetsstycket. Undvik att ha fingrarna i närheten av det pendlande sågbladet och bladklämman. Försök inte stabilisera sågen genom att hålla i sågskon.
 - ◆ Håll sågbladen välslipade. Om sågbladen är slöa eller skadade kan sågen komma i svängning eller stanna helt när den belastas. Använd alltid en typ av sågblad som är lämplig för det material du ska såga i och för hur du ska såga.
 - ◆ Vid sågning i rör och andra ledningar ska du se till att de inte innehåller vatten, elledningar etc.
 - ◆ Vidrör inte arbetsstycket eller sågbladet direkt efter sågning. De kan bli mycket varma.
 - ◆ Var uppmärksam på dolda faror innan du sågar i väggar, golv eller tak; kontrollera om det förekommer rör eller elledningar.
 - ◆ Sågbladet fortsätter att röra sig en kort stund efter att du har släppt strömbytarens. Stäng alltid av verktyget och vänta tills sågbladet har stannat helt innan du lägger ifrån dig det.
- Varning!** Detta verktyg är inte avsett att användas av personer (inklusive barn) som har nedsatt funktion i sinnesorganen, som har nedsatt fysisk eller mental förmåga, eller som saknar erfarenhet och kunskap, utom i de fall då en person som är ansvarig för deras säkerhet övervakar dem eller instruerar dem i hur verktyget ska användas. Barn måste hållas under uppsikt så att de inte leker med verktyget.
- ◆ Användningsområdet beskrivs i den här bruksanvisningen. Om andra tillbehör eller tillsatser används på verktyget eller om någon annan åtgärd utförs med verktyget än de som rekommenderas i den här bruksanvisningen, kan personer och/eller egendom ta skada.
- Säkerhet för andra**
- ◆ Verktyget ska inte användas av personer (inklusive barn) med nedsatt fysisk eller mental förmåga eller bristande erfarenhet och kunskap, om de inte får vägledning och övervakas av en person som ansvarar för deras säkerhet.
 - ◆ Barn ska hållas under uppsikt så att de inte leker med verktyget.
- Vibrationer**
- De uppgivna vibrationsvärdena som anges i avsnitten Tekniska data och förklaringen om överensstämmelse med EU-regler har uppmätts i enlighet med en standardtestmetod föreskriven i EN 60745 och kan användas för jämförelse med andra verktyg. Det uppgivna vibrationsvärdet kan även användas för en preliminär bedömning av exponering.
- Varning!** Vibrationsvärdet under faktisk användning av elverktyget kan skilja sig från det uppgivna värdet beroende på hur verktyget används. Vibrationsnivån kan överstiga den uppgivna nivån.
- Vid uppskattningar av exponering för vibrationer i syfte att bedöma vilka säkerhetsåtgärder som är nödvändiga enligt 2002/44/EC för att skydda personer som regelbundet använder elverktyg i arbetet ska man utgå från de faktiska omständigheter under vilka elverktyget används och sättet på vilket det används. Bedömningen ska även ta hänsyn till alla

moment i arbetscykeln, t.ex. när verktyget är avstängt och när det går på tomgång såväl som när det faktiskt används.

Etiketter på verktyg



Varning! För att minska risken för olyckor måste du läsa bruksanvisningen innan du använder sågen.

Elektrisk säkerhet



Eftersom verktyget är dubbelisolerat behövs ingen jordledare. Kontrollera alltid att nätspänningen överensstämmer med värdet på typskylten.

Om nätsladden är skadad måste den för undvikande av fara bytas ut av tillverkaren eller en auktoriserad Black & Decker-verkstad.

Ytterligare säkerhetsanvisningar för icke uppladdningsbara batterier

Försök aldrig att öppna batterierna.

Förvara inte batterierna på platser där temperaturen kan bli högre än 40 °C.

Följ instruktionerna som anges i avsnittet "Miljö" när du kastar batterierna.

Kassera inte batterierna genom förbränning.

Under extrema förhållanden kan batterierna läcka. Gör följande om det finns vätska på batterierna:

- Torka försiktigt bort vätskan med en trasa. Undvik hudkontakt.

Ytterligare säkerhetsföreskrifter för lasrar



Läs noga igenom hela denna handbok.



Denna produkt får inte användas av barn under 16 år.



Laserstrålning.



Titta inte rakt in i laserstrålen.



Använd inte optiska verktyg för att titta på laserstrålen.

Denna laser uppfyller kraven för klass 2 enligt EN 60825-1:2007. Byt aldrig ut en laserdiod mot någon annan typ. Om lasern skadas måste den åtgärdas av en behörig reparatör.

Använd inte lasern för något annat syfte än att projicera en laserlinje.

Strålen från en klass 2-laser kan vara farlig för ögat vid mer än 0,25 sekunders ögonkontakt. Normalt ger blinkreflexen tillräckligt skydd för ögat. Vid mer än en meters avstånd uppfyller lasern kraven för klass 1 och anses därmed helt ofarlig.

Titta aldrig rakt in i laserstrålen.

Använd inte optiska verktyg för att titta på laserstrålen.

Använd aldrig verktyget på ett sådant sätt att laserstrålen kan träffa någon i ögonhöjd.

Håll barn utom räckhåll för lasern.

Funktioner

1. Hastighetsreglage
2. Strömbrytare
3. Låsknapp
4. Lucka till förvaringsfack för sågblad
5. Låsspak för sågfot
6. Dammuppsugningshåll
7. Täckplåt
8. Stödrolle för sågblad
9. Väljare för pendelsågrörelse

Ytterligare funktioner (fig. A)

Ytterligare funktioner kan vara tillgängliga beroende på modell. I fig. A visas de funktioner som är tillgängliga för respektive modell.

Montering

Varning! Innan du gör något av nedanstående ska du kontrollera att verktyget är avstängt, att sågbladet är orörligt och att sladden inte sitter i. Ett sågblad som nyligen har använts kan vara hett.

Montera och ta bort sågbladet (fig. B och C)

Varning! Innan du gör något av nedanstående ska du kontrollera att verktyget är avstängt, att sågbladet är orörligt och att sladden inte sitter i. Ett sågblad som nyligen har använts kan vara hett.

Montera sågbladet (fig. B)

Håll sågbladet (10) som bilden visar med tänderna framåt.

Tryck ned bladklämman (11) och håll den nedtryckt.

Tryck in sågbladets skaft så långt som möjligt i bladhallaren (12).

Släpp bladklämman (11).

Förvaring av sågbladet (fig. C)

Sågbladen (10) kan förvaras i förvaringsfacket (4) i sidan av verktyget.

Öppna luckan till förvaringsfacket för sågbladen (4) genom att ta tag i fliken på luckans ovansida och dra den utåt.

- ◆ Sägbladen hålls på plats i förvaringsfacket med hjälp av en magnetremsa. För att ta ut ett sågblad, höj bladets ena ände genom att trycka på den andra och avlägsna sågbladet.
- ◆ Stäng luckan till förvaringsutrymmet (4) och se till att luckan snäpper fast ordentligt.

Varning! Stäng förvaringsfackets lucka ordentligt innan du använder sågen.

Ansluta en dammsugare till verktyget (fig. D)

För att ansluta en dammsugare eller en annan dammuppsugningsanordning till verktyget krävs en adapter (13).

- ◆ Tryck in adaptern (13) i dammuppsugningshålet (6).
- ◆ Anslut dammsugarslangen (14) till adaptern (13).

Såglinjblåsare (fig. E)

- ◆ För att du ska se bättre när du sågar är figursågen utrustad med en såglinjblåsare (15) som håller arbetsområdet fritt från sågspån under sågningen.

Övriga risker

Ytterligare risker som inte finns med i de bifogade säkerhetsföreskrifterna kan uppstå när verktyget används. Dessa risker kan uppstå vid felaktig eller långvarig användning, etc.

Även om alla relevanta säkerhetsföreskrifter följs och säkerhetsanordningar används kan vissa ytterligare risker inte undvikas. Dessa innefattar:

- ◆ Skador orsakade av att roterande/rörliga delar vidrörs.
- ◆ Skador som uppstår vid byte av delar, blad eller tillbehör.
- ◆ Skador som orsakas av långvarig användning av ett verktyg. Se till att ta regelbundna raster när du använder ett verktyg under en längre period.
- ◆ Skador på hörseln.
- ◆ Hälsofaror orsakade av inandning av damm när verktyget används (exempel: arbete med trä, särskilt ek, bok och MDF).

Användning

Justera sågfoten för vinkelsågning (fig. F och G)

Varning! Använd aldrig verktyget om skyddsplåten är lös eller borttagen.

Sågfoten (7) kan vinklas upp till 45° åt vänster eller höger.

- ◆ Dra sågfotens låsspak (5) utåt för att frigöra sågfoten (7) från 0°-positionen.
- ◆ Dra sågfoten (7) framåt och ställ in önskat läge 15°, 30° och 45° i fönstret för vinkeläge.
- ◆ Tryck tillbaka sågfotens låsspak (5) mot sågen för att låsa sågfoten (7).

Så här återställer du sågfoten (7) för rak sågning:

- ◆ Dra ut sågfotens låsspak (5) för att frigöra sågfoten (7).
- ◆ Ställ in sågfoten (7) på 0° och skjut den bakåt.
- ◆ Tryck tillbaka sågfotens låsspak (5) mot sågen för att låsa sågfoten (7).

Ställa in pendelrörelsen (fig. H)

- ◆ Placera väljaren för pendelrörelsen (9) i önskat läge.
- ◆ Läge 0: metall, aluminium och plåt.
- ◆ Läge I: för laminat, hårdträ, arbetsskivor.
- ◆ Läge II: för plywood och PVC/plast.
- ◆ Läge III: för mjukträ och snabbsågning.

Variabel hastighet

- ◆ Vrid hastighetsreglaget (1) till önskad hastighet.
- ◆ Välj hög hastighet för trä, medelhög för aluminium och PVC, samt låg hastighet för andra metaller än aluminium.

Slå på och av

- ◆ Starta verktyget genom att trycka på strömbrytaren (2).
- ◆ Stäng av verktyget genom att släppa upp strömbrytaren (2).
- ◆ Tryck in låsknappen (3) och släpp strömbrytaren (2) om du vill ha kontinuerlig drift.
- ◆ När verktyget är i kontinuerlig drift stänger du av det genom att trycka in och släppa strömbrytaren (2).

Sågning

Håll sågen stadigt med båda händerna när du sågar.

Sågfoten (7) ska tryckas ordentligt mot materialet som sågas. Detta motverkar att sågen hoppar, minskar vibrationerna och minskar risken att sågbladet går av.

- ◆ Låt sågbladet gå i några sekunder innan du börjar såga.
- ◆ För bara verktyget försiktigt framåt medan du sågar.

Använda lasern (fig. I - L) (endast modellen KS900EL)

Sätta in batterierna (fig. I)

Lossa lasermodulen (17) från figursågen genom att ta bort skruven (16) och dra lasermodulen framåt. Sätt in två nya 1,5-volts alkaliska AAA-batterier och var noga med att placera plus- och minuspolerna korrekt. Sätt tillbaka lasermodulen (17).

Justera lasern i sidled (fig. J)

Obs! Lasern är ett hjälpmedel men garanterar inte exakt sågning.

Varning! Dra ur sladden till sågen innan du justerar lasern.

- ◆ Med hjälp av laserjusterskruven (18) kan du rikta in laserlinjen mot sågbladet om det behövs.

Om sågen överhettas får lasern mindre kraft och syns sämre. Lasern kan helt sluta synas om verktyget

överbelastas en längre tid. Lasern återgår gradvis till normal synlighet när verktyget svalnar, även om sladden inte sitter i. **Varning!** Lämna inte en överhettad laser påslagen (läge ON). Se till att strömbrytaren är i läge OFF och ta ut batterierna till lasern för att göra den strömlös.

Använda lasern (fig. K - L)

Lasern projicerar såglinjen (21) på arbetsmaterialets yta.

- ◆ Sätt på lasern genom att trycka på knappen (19).
- ◆ Stäng av lasern genom att trycka på knappen (19) en gång till.

Det är enkelt att följa laserlinjen (21) om du håller huvudet rakt ovanför sågen. Om det inte går kan du använda lasern för alternativ sågstyrning.

- ◆ Märk ut såglinjen (20) med en blyertspenna.
- ◆ Placera sågen över linjen (20).
- ◆ Sätt på lasern.

Råd för bästa resultat

Såga i laminat

Vid sågning i laminat kan arbetsstycket flisa sig, vilket kan skada snittytan. De vanligaste sågbladen sågar i den uppåtgående rörelsen, så om sågfoten vilar mot arbetsstycket bör du använda ett sågblad som sågar i den nedåtgående rörelsen eller göra enligt följande:

- ◆ Använd ett fintandat sågblad.
- ◆ Vänd arbetsmaterialets undersida uppåt när du sågar.
- ◆ Minska risken för flisor genom att tvinga fast en överbliven träbit eller hård träfiberskiva på båda sidor på arbetsmaterialet och såga genom alltihop som en dubbelsmörgås.

Såga i metall

Tänk på att det tar mycket längre tid att såga i metall än i trä.

- ◆ Välj ett sågblad som lämpar sig för metallsågning.
- ◆ Vid sågning av tunn metallplåt tvingar du fast en överbliven träbit på arbetsmaterialets undersida och sågar genom båda lagren som en smörgås.
- ◆ Smörj såglinjen med olja innan du sågar.

Underhåll

Detta Black & Decker-verktyg har tillverkats för att fungera under lång tid med ett minimum av underhåll. Med rätt underhåll och regelbunden rengöring behåller verktyget sin prestanda.

- ◆ Rengör regelbundet apparatens luftintag med en mjuk borste eller torr trasa.
- ◆ Rengör kåpan regelbundet med en fuktig trasa. Använd aldrig rengöringsmedel med lösnings- eller slipmedel. Låt aldrig någon vätska komma in i sågen och doppa den aldrig i någon vätska.

Miljö



Separat insamling. Produkten får inte kastas i hushållssoporna.

Tänk på miljön när du slänger denna Black & Decker-produkt. Släng den inte tillsammans med hushållsavfallet. Lämna produkten för separat insamling.



Insamling av uttjänta produkter och förpackningsmaterial gör att material kan återanvändas. Användning av återvunnet material minskar föroreningar av miljön och behovet av råmaterial.

Lokala föreskrifter kan kräva separat insamling av elprodukter från hushållen, vid kommunala insamlingsplatser eller hos återförsäljaren när du köper en ny produkt.

Black & Decker samlar in och återvinner uttjänta Black & Decker-produkter. Om du vill utnyttja denna tjänst återlämnar du produkten till en auktoriserad verkstad, som samlar in den för vår räkning.

För information om närmaste auktoriserade verkstad, kontakta det lokala Black & Decker-kontoret på den adress som är angiven i bruksanvisningen. En lista över alla auktoriserade verkstäder samt servicevillkor finns även tillgänglig på Internet: www.2helpU.com.

Batterier



Kassera batterierna på ett miljövänligt sätt när de är förbrukade:

- ◆ Undvik att kortsluta batteripolerna.
- ◆ Bränn aldrig batterier eftersom det kan leda till personskador eller orsaka en explosion.
- ◆ Låt batteriet laddas ur helt och ta sedan ut det ur verktyget.
- ◆ Batterierna kan återvinnas. Packa in batterierna så att polerna inte kan kortslutas. Ta med dem till en auktoriserad verkstad eller en återvinningsstation.

Tekniska data

	KS900E TYPE 1 KS900EL TYPE 1
Spänning	VAC 230
Märkeffekt	W 600
Tomgångshastighet	min ⁻¹ 800–3 000
Maximalt sågdjup	
Trä	mm 85
Stål	mm 5
Aluminium	mm 15
Vikt	kg 2,36
(med laser)	kg 2,66

Ljudnivå enligt EN 60745:

Ljudnivå (L_{pA}) 87 dB(A), osäkerhet (K) 3 dB(A)

Ljudeffekt (L_{WA}) 98 dB(A), osäkerhet (K) 3 dB(A)

Totala vibrationsvärden (vektorsumman av tre axlar)

fastställd enligt EN60745:

Träsågning ($a_{h, CW}$) 10,5 m/s², osäkerhet (K) 1,5 m/s²

Metallsågning ($a_{h, CM}$) 14,5 m/s², osäkerhet (K) 1,5 m/s²

EC-deklaration om överensstämmelse MASKINDIREKTIV



KS900E, KS900EL

Black & Decker intygar att de produkter som beskrivs under "tekniska data" överensstämmer med: 2006/42/EC, EN60745-1, EN60745-2-11

Om du vill veta mer kontaktar du Black & Decker på följande adress eller läser på bruksanvisningens baksida.

Undertecknad är ansvarig för sammanställningen av tekniska data och gör denna försäkran för Black & Decker.

Kevin Hewitt

Vice-President Global Engineering

Black & Decker Europe,
210 Bath Road, Slough,

Berkshire, SL1 3YD
Storbritannien

14-02-2011

Garanti

Black & Decker garanterar att produkten är fri från material- och/eller fabriktionsfel vid leverans till kund. Garantin gäller utöver konsumentens rättigheter enligt lag och påverkar inte dessa. Garantin gäller inom medlemsstaterna i Europeiska Unionen och i det Europeiska Frihandelsområdet.

Om en Black & Decker-produkt går sönder på grund av material- och/eller fabriktionsfel eller brister i överensstämmelse med specifikationen, inom 24 månader från köpet, åtar sig Black & Decker att reparera eller byta ut produkten med minsta besvär för kunden, förutom om:

Produkten har använts i kommersiellt, yrkesmässigt eller uthyrningssyfte.

Produkten har utsatts för felaktig användning eller skötsel.

Produkten har skadats av främmande föremål, ämnen eller genom olyckshändelse.

Reparation har utförts av någon annan än en auktoriserad Black & Decker-verkstad.

För att utnyttja garantin skall produkten och inköpskvittot lämnas till återförsäljaren eller till en auktoriserad verkstad senast 2 månader efter det att felet har upptäckts. För

information om närmaste auktoriserad verkstad, kontakta det lokala Black & Decker-kontoret på den adress som är angiven i bruksanvisningen. En lista på alla auktoriserade verkstäder samt servicevillkor finns även tillgängliga på Internet:

www.2helpU.com

Besök vår webbplats **www.blackanddecker.se** för att registrera din nya Black & Decker-produkt samt för att erhålla information om nya produkter och specialerbjudanden. Vidare information om märket Black & Decker och vårt produktsortiment återfinns på **www.blackanddecker.se**.

Bruksområde

Stikksagen fra Black & Decker er konstruert for saging av treverk, plast og metall. Verktøyet er beregnet bare som konsumentverktøy.

Sikkerhetsinstruksjoner

Generelle sikkerhetsadvarsler for elektroverktøy



Advarsel! Les alle sikkerhetsadvarsler og alle instruksjoner. Hvis ikke alle instruksjonene blir fulgt, kan det medføre elektrisk støt, brann og/eller alvorlige skader.

Ta vare på alle advarsler og instruksjoner for fremtidig bruk.

Uttrykket "elektroverktøy" i alle advarslene nedenfor gjelder for strømdrevne elektroverktøy (med ledning) og batteridrevne elektroverktøy (uten ledning).

1. **Sikkerhet i arbeidsområdet**
 - a. **Hold arbeidsområdet rent og godt opplyst.** Rotete arbeidsområder og arbeidsområder uten lys kan føre til ulykker.
 - b. **Ikke arbeid med elektroverktøy i eksplosjonsfarlige omgivelser – der det finnes seg brennbare væsker, gass eller støv.** Elektroverktøy forårsaker gnister som kan antenne støv eller damper.
 - c. **Hold barn og andre personer unna når elektroverktøyet brukes.** Hvis du blir forstyrret under arbeidet, kan du miste kontrollen.
2. **Elektrisk sikkerhet**
 - a. **Støpselet til elektroverktøyet må passe inn i stikkkontakten. Støpselet må ikke forandres på noen som helst måte. Ikke bruk adapterstøpsler sammen med jodede elektroverktøy.** Bruk av originale støpsler og passende stikkontakter reduserer risikoen for elektrisk støt.
 - b. **Unngå kroppskontakt med jodede overflater som rør, radiatorer, komfyrer og kjøleskap.** Det er større fare for elektrisk støt dersom kroppen din er jodet.
 - c. **Hold elektroverktøy unna regn eller fuktighet.** Dersom det kommer vann i et elektroverktøy, øker faren for elektrisk støt.
 - d. **Unngå uforvarlig behandling av ledningen.** Elektroverktøyet må aldri bæres eller trekkes etter ledningen, og trekk heller ikke ut støpselet ved å rykke i ledningen. Hold ledningen unna varme, olje, skarpe kanter eller bevegelige deler. Med skadde eller sammenflokede ledninger øker risikoen for elektrisk støt.
- e. **Når du arbeider utendørs med et elektroverktøy, må du kun bruke en skjøteledning som er godkjent til utendørs bruk.** Når du bruker en skjøteledning som er egnet for utendørs bruk, reduseres risikoen for elektrisk støt.
- f. **Hvis du ikke kan unngå å bruke et elektroverktøy på et fuktig sted, bruker du strømforsyning som er beskyttet med jordfeilbryter.** Bruk av jordfeilbryter reduserer risikoen for elektrisk støt.
3. **Personsikkerhet**
 - a. **Vær oppmerksom, pass på hva du gjør, og vis fornuft når du arbeider med et elektroverktøy. Ikke bruk elektroverktøy når du er trett eller er påvirket av narkotika, alkohol eller medikamenter.** Et øyeblikks uoppmerksomhet under bruk av verktøyet kan føre til alvorlige personskader.
 - b. **Bruk personlig verneutstyr. Bruk alltid vernebriller.** Bruk av personlig verneutstyr, for eksempel støvmaske, sklisliske vernesko, hjelm eller hørselsvern som passer til forholdene, reduserer risikoen for personskader.
 - c. **Forhindre utilsikket start av elektroverktøyet. Kontroller at bryteren står i posisjon "av" før du kobler til strømkilden og/eller batteripakken, og før du tar opp eller bærer verktøyet.** Det kan føre til ulykker hvis du bærer elektroverktøyet med fingeren på bryteren, eller kobler til verktøyet når bryteren ikke står i posisjon "av".
 - d. **Fjern innstillingsverktøy eller skrunøkler før du slår på elektroverktøyet.** Et verktøy eller en nøkkel som befinner seg i en roterende del, kan forårsake personskade.
 - e. **Ikke strekk deg for langt. Pass på at du alltid har sikkert fotfeste og god balanse.** Da kan du kontrollere elektroverktøyet bedre i uventede situasjoner.
 - f. **Bruk alltid egnede klær. Ikke bruk løstsittende klær eller smykker. Hold hår, klær og hanser unna bevegelige deler.** Løstsittende klær, smykker eller langt hår kan komme inn i bevegelige deler.
 - g. **Hvis det kan monteres støvavsug- og oppsamlingsinnretninger, må du forvise deg om at disse er tilkoblet og brukes på riktig måte.** Bruk av disse innretningene reduserer faren i forbindelse med støv.
4. **Aktsom håndtering og bruk av elektroverktøy**
 - a. **Ikke bruk makt på elektroverktøyet. Bruk et elektroverktøy som er beregnet på den type arbeid du vil utføre.** Med et passende elektroverktøy arbeider du bedre og sikrere i det angitte effektområdet.

- b. **Ikke bruk elektroverktøy med defekt strømbryter.** Et elektroverktøy som ikke kan kontrolleres med bryteren, er farlig og må repareres.
 - c. **Trekk støpselet ut av stikkkontakten og/eller koble fra batteripakken på elektroverktøyet før du utfører innstillinger, skifter tilbehørsdeler eller legger elektroverktøyet bort.** Disse forebyggende sikkerhetstiltakene reduserer risikoen for utilsiktet start av elektroverktøyet.
 - d. **Elektroverktøy som ikke er i bruk, må oppbevares utilgjengelig for barn. Ikke la verktøyet brukes av personer som ikke er fortrolig med det, eller som ikke har lest denne bruksanvisningen.** Elektroverktøy er farlige når de brukes av uerfarne personer.
 - e. **Vær nøye med vedlikehold av elektroverktøy. Kontroller at bevegelige deler fungerer feilfritt og ikke klemmes fast, om deler er brukket eller skadet, og andre forhold som kan innvirke på elektroverktøyets funksjon. Hvis elektroverktøyet er skadet, må det repareres før bruk.** Dårlig vedlikeholdte elektroverktøy er årsaken til mange uhell.
 - f. **Hold skjæreverktøy skarpe og rene.** Godt vedlikeholdte skjæreverktøy med skarpe egger setter seg ikke så ofte fast og er lettere å føre.
 - g. **Bruk elektroverktøy, tilbehør, bits osv. i henhold til disse instruksjonene. Ta hensyn til arbeidsforholdene og arbeidet som skal utføres.** Bruk av elektroverktøy til andre formål enn det som er angitt, kan føre til farlige situasjoner.
5. **Service**
- h. **Elektroverktøyet ditt skal alltid repareres av kvalifisert personell og kun med originale reservedeler.** Dette sikrer at elektroverktøyets sikkerhet opprettholdes.

Ytterligere sikkerhetsadvarsler for elektroverktøy



Advarsel! Ekstra sikkerhetsinstruksjoner for stikksager

- ◆ **Hold elektroverktøyet i de isolerte grepene når du utfører et arbeid der skjæreverktøyet kan komme i kontakt med skjulte ledninger eller sin egen kabel.** Hvis skjæreverktøyet kommer i kontakt med en strømførende ledning, kan det føre til at eksponerte metalldele på elektroverktøyet blir strømførende, og brukeren kan få elektrisk støt.
- ◆ **Bruk klemmer eller andre praktiske metoder for å spenne fast og støtte arbeidsstykket på en stabil plattform.** Holdes arbeidsstykket med hånden eller inn

mot kroppen, vil det være ustabil, og dette kan lett føre til at du mister kontrollen.

- ◆ **Hold hendene borte fra skjærområdet.** Du må aldri gripe under arbeidsstykket av noen som helst årsak. Ikke før fingre eller tommel inn i nærheten av det frem- og tilbakegående sagbladet og sagbladfestet. Ikke stabiliser sagen ved å ta tak i foten.
- ◆ **Hold sagbladene skarpe.** Sløve eller skadde sagblader kan få sagen til å bøye av eller stanse under press. Bruk alltid sagblader som egner seg for arbeidsstykkets materiale og den type saging det er snakk om.
- ◆ **Når du sager rør eller kanaler, må du kontrollere at de er fri for vann, elektriske ledninger etc.**
- ◆ **Ikke berør arbeidsstykket eller sagbladet straks etter at du har brukt verktøyet.** De kan bli svært varme.
- ◆ **Vær oppmerksom på skjulte farer før du sager i vegger, gulv eller tak.** Lokaliser eventuelle kabler og rør.
- ◆ **Sagbladet vil fortsatt være i bevegelse etter at bryteren slippes løs.** Slå alltid verktøyet av, og vent til sagbladet stanser helt, før du setter verktøyet ned.

Advarsel! Kontakt med eller inhalering av støv som oppstår ved skjæring, kan være helseskadelig for operatøren og eventuelle tilskuere. Bruk en spesialmaske som verner mot støv og damp, og pass på at andre som oppholder seg eller kommer inn i området der du arbeider, også beskytter seg.

- ◆ Tiltent bruk er beskrevet i denne håndboken. Bruk av tilbehør eller utføring av oppgaver som ikke er anbefalt for verktøyet i denne håndboken, kan medføre fare for personskade og/eller skade på eiendom.

Andre personers sikkerhet

- ◆ Det er ikke meningen at dette verktøyet skal brukes av personer (inkludert barn) med reduserte fysiske, sansemessige eller mentale evner, eller som mangler erfaring og kunnskap, med mindre de har fått oppfølging eller instruksjon når det gjelder bruken av apparatet, fra en person som er ansvarlig for deres sikkerhet.
- ◆ Barn skal være under oppsyn så det sikres at de ikke leker med apparatet.

Vibrasjon

Vibrasjonsemisjonsverdien som er angitt under tekniske data og samsvarserklæring, er blitt målt i henhold til en standard testmetode som er angitt i EN 60745, og kan brukes til å sammenligne et verktøy med et annet. Den oppgitte vibrasjonsemisjonsverdien kan også brukes til en foreløpig vurdering av eksponering.

Advarsel! Vibrasjonsemissjonsverdien under faktisk bruk av elektroverktøyet kan avvike fra den oppgitte verdien avhengig av måten verktøyet blir brukt på. Vibrasjonsnivået kan øke over nivået som er oppgitt.



Ikke se direkte inn i laserstrålen.

Se ikke på laserstrålen gjennom optiske verktøy.

Når man vurderer vibrasjonseksposering for å bestemme sikkerhetstiltak som kreves i 2002/44/EF for å beskytte personer som bruker elektroverktøy regelmessig i arbeidet, skal man når man anslår vibrasjonseksposeringen, ta hensyn til de faktiske bruksforholdene og måten verktøyet blir brukt på, inkludert hensyn til alle deler av brukssyklusen – også de gangene verktøyet slås av og når det går på tomgang, i tillegg til tiden utløseren er inne.

Merking på verktøy



Advarsel! Brukeren må lese håndboken for å redusere risikoen for skade.

Elektrisk sikkerhet



Dette apparatet er dobbeltisolert. Jording er derfor ikke nødvendig. Kontroller at spenningen er i overensstemmelse med spenningen på typeskiltet.

Hvis strømledningen blir skadet, må den skiftes av produsenten eller et autorisert Black & Decker-servicesenter for å unngå fare.

Ytterligere sikkerhetsinstruksjoner for ikke oppladbare batterier.

Forsøk ikke å åpne uansett hvilket formål du måtte ha. Skal ikke oppbevares på steder der temperaturen kan overskride 40 °C.

Følg instruksene som finnes i avsnittet "Miljø" når du skal kaste batterier.

Ikke brenn batteriene.

Under ekstreme forhold kan batterilekkasje forekomme.

Hvis du oppdager væske på batteriene, gjør du følgende:

- Tørk omhyggelig væsken av med en tøyklut. Unngå kontakt med huden.

Ekstra sikkerhetsinstruksjoner for laserstråler



Les hele denne bruksanvisningen grundig.



Produktet skal ikke benyttes av barn under 16 år.



Laserstråling.

Denne laseren er en klasse 2-laser i henhold til EN 60825-1:2007. Laserdioder må ikke erstattes med andre typer. Hvis laseren blir skadet, må den repareres av en autorisert reparatør.

Laseren skal ikke brukes til annet enn å sende laserlinjer.

Det er ikke trygt å eksponere øyet for en klasse 2 laserstråle i mer enn 0,25 sekunder. Øyelokkrefleksene vil vanligvis gi tilstrekkelig beskyttelse. Ved avstander over 1 m anses laseren som en klasse 1-laser og er derfor fullstendig trygg.

Se aldri direkte inn i laserstrålen med hensikt.

Se ikke på laserstrålen gjennom optiske verktøy.

Plasser ikke verktøyet slik at laserstrålen kan krysse mennesker ved hodehøyde.

La ikke barn komme når laseren.

Funksjoner

1. Kontrollknapp med variabel hastighet
2. Strømbryter
3. Låseknapp
4. Deksel for bladoppbevaringsrom
5. Låsespak for fotplate
6. Støvvuttak
7. Fotplate
8. Styrerulle for sagblad
9. Velger for pendelbevegelse

Øvrige funksjoner (figur A)

Det kan være tilgjengelig andre funksjoner avhengig av produktet du har kjøpt. De øvrige funksjonene som er tilgjengelige for kjøpte produkter med ulike katalognummer er vist i figur A.

Montering

Advarsel! Før du utfører noen av fremgangsmåtene nedenfor, må du sikre for at verktøyet er slått av, kontakten plugges ut og sagbladet har stoppet. Brukte sagblad kan være varme.

Montering og demontering av sagbladet (figur B og C)

Advarsel! Før du utfører noen av fremgangsmåtene nedenfor, må du sikre for at verktøyet er slått av, kontakten plugges ut og sagbladet har stoppet. Brukte sagblad kan være varme.

Montere sagbladet (figur B)

- ◆ Hold sagbladet (10) som vist, med taggene vendt fremover.
- ◆ Trykk og hold bladfestet (11) nede.
- ◆ Sett festetappen til sagbladet så langt inn i bladholderen (12) som den går.
- ◆ Slipp bladfestet (11).

Oppbevaring av sagbladet (figur C)

Sagblader (10) kan oppbevares i oppbevaringsrommet (4) på siden av verktøyet.

- ◆ Åpne dekelet til oppbevaringsrommet (4) for sagblad ved å holde i klaffen i toppen av dekelet og trekke det utover.
- ◆ Bladene holdes på plass i rommet av en magnetisk list. Når du skal ta ut et blad, trykker du ned den ene siden av bladet for å løfte den andre siden og tar det ut.
- ◆ Lukk lokket til oppbevaringsrommet (4) for sagblader, og kontroller at det er låst.

Advarsel! Lukk dekelet til oppbevaringsrommet godt før du bruker sagen.

Koble en støvsuger til verktøyet (figur D)

Du trenger en adapter (13) for å koble en støvsuger eller et støvavtrekk til verktøyet.

- ◆ Skyv adapteren (13) inn støvuttaket (6).
- ◆ Koble støvsugerslangen (14) til adapteren (13).

Skjærelinjeblåser (figur E)

- ◆ Stikksagen er utstyrt med en skjærelinjeblåser (15) for å gjøre det lettere å se når du sager. Den holder arbeidsområdet fritt for støv når du sager.

Andre risikoer

Ved bruk av verktøyet kan det oppstå ytterligere risikoer som kanskje ikke er inkludert i sikkerhetsadvarslene som følger med. Disse risikoene kan bli forårsaket av feil bruk, langvarig bruk osv.

Selv om de relevante sikkerhetsbestemmelsene blir fulgt, og sikkerhetstiltakene blir gjennomført, kan visse gjenværende risikoer ikke unngås. Disse omfatter:

- ◆ Personskader som forårsakes av berøring av en roterende/bevegelig del.
- ◆ Personskader som forårsakes av at en del, et blad eller tilbehør endres.
- ◆ Personskader som forårsakes av langvarig bruk av et verktøy. Når du bruker et verktøy i lange perioder, må du sørge for å ta regelmessige pauser.
- ◆ Svekket hørsel.
- ◆ Helsefarer som forårsakes av innånding av støv som dannes når du bruker verktøyet (eksempel: arbeid med tre, spesielt eik, bøk og MDF).

Bruk

Justere fotplaten for skråkutting (figur F og G)

Advarsel! Bruk aldri verktøyet mens fotplaten er løs eller fjernet.

Fotplaten (7) kan skråstilles opptil 45° både til høyre og venstre.

- ◆ Trekk låsespaken (5) for fotplaten utover for å låse opp fotplaten (7) fra posisjonen 0 grader.
- ◆ Trekk fotplaten (7) fremover, og still inn ønsket vinkel 15°, 30° og 45° indikert i skjærevinkelvinduet nedenfor.
- ◆ Skyv låsespaken (5) for fotplaten bakover mot sagen for å låse fotplaten (7).

Slik stiller du fotplaten (7) tilbake for vinkelrette kutt:

- ◆ Trekk låsespaken (5) for fotplaten utover for å låse opp fotplaten (7).
- ◆ Still inn fotplaten (7) med vinkelen 0°, og skyv fotplaten bakover.
- ◆ Skyv låsespaken (5) for fotplaten bakover mot sagen for å låse fotplaten (7).

Innstilling av pendelbevegelse (figur H)

- ◆ Sett velgeren for pendelbevegelse (9) i ønsket stilling.
- ◆ Stilling 0: metall, aluminium og metallplater.
- ◆ Stilling I: for laminater, hardt tre og arbeidsplater.
- ◆ Stilling II: for finere og PVC/plast.
- ◆ Stilling III: for bløtt tre og raske kutt.

Variabel hastighetskontroll

- ◆ Still kontrollknappen for variabel hastighet (1) til ønsket hastighetsområde.
- ◆ Bruk en høy hastighet for tre, middels hastighet for aluminium og PVC og lav hastighet for andre metaller.

Start og stopp

- ◆ Trykk på av/på-knappen (2) for å slå verktøyet på.
- ◆ Slipp av/på-knappen (2) for å slå verktøyet av.
- ◆ Hvis du ønsker å holde verktøyet i kontinuerlig drift, trykker du inn låseknappen (3) og slipper av/på-knappen (2).
- ◆ Hvis du vil slå av verktøyet mens det er i kontinuerlig drift, trykker du inn av/på-knappen (2) og slipper den.

Saging

Hold verktøyet stødig med begge hender når du sager.

Fotplaten (7) bør holdes fast mot materialet som sages. Dermed hindrer man at sagen hopper, vibrasjonene reduseres, og brudd på sagblad reduseres til et minimum.

- ◆ La bladet gå fritt i noen få sekunder før du starter sagingen.
- ◆ Bruk bare et lett press på verktøyet når du sager.

Bruke laseren (figur I–L) (bare KS900EL)

Sette i batterier (figur I)

Koble lasermodulen (17) fra stikksagen ved å fjerne skruen (16) og trekke lasermodulen fremover. Sett inn to nye 1,5 volts alkaliske AAA-batterier, og pass på at de plasseres riktig i forhold til terminalene (+) og (–). Sett lasermodulen (17) tilbake på plass.

Justere laseren sideveis (figur J)

Merknad: Laseren er ment som et skjære hjelpemiddel og garanterer ikke et presist kutt.

Advarsel! Juster aldri laseren mens stikksagen er koblet til nettspenning.

- ◆ Bruk laserjusteringsskruen (18) til å justere laserlinjen i forhold til sagbladet om nødvendig.

Laserens synlighet (kraft) blir redusert hvis stikksagen overopphetes. Laseren vil kanskje ikke være synlig hvis saken overbelastes over lengre tid. Laseren vil gradvis bli mer synlig og til slutt bli normal etter som verktøyet kjøles ned, selv om kontakten er koblet ut.

Advarsel! La aldri en overopphetet laser stå PÅ. Sørg for at bryteren står i AV-posisjon, og ta ut batteriene for å slå av strømmen til laseren.

Bruke laseren (figur K–L)

Laseren projiserer skjærelinjen (21) på overflaten til arbeidsstykket.

- ◆ Trykk på knappen (19) for å slå laseren på.
- ◆ Trykk på knappen (19) en gang til for å slå laseren av.

Skjærelinjen (21) skal være lett å følge når man ser rett ned fra oversiden av stikksagen. Hvis denne synsvinkelen er blokkert, kan du bruke laseren som en alternativ skjærehjelp.

- ◆ Bruk en blyant til å merke skjærelinjen (20).
- ◆ Plasser stikksagen over linjen (20).
- ◆ Slå på laseren.

Råd for optimal bruk

Sage i laminat

Når du sager laminat, kan det forekomme oppflising som kan skade overflaten som skal synes. De mest vanlige sagbladene skjærer når de beveger seg oppover. Hvis fotplaten hviler mot overflaten som skal synes, bruker du enten et sagblad som skjærer når det beveger seg nedover, eller:

- ◆ Bruk et fintagget sagblad.
- ◆ Sag fra den bakre flaten på arbeidsstykket.
- ◆ For å minimere flising, kan du klemme et stykke kapp eller fiberplate på begge sider av arbeidsstykket og sage gjennom dette.

Sage i metall

Vær oppmerksom på at saging i metall tar mye lengre tid enn saging i tre.

- ◆ Bruk et sagblad som egner seg for metallsaging.
- ◆ Når du skjærer tynne metallplater, kan du klemme et stykke kapp til den bakre flaten på arbeidsstykket og skjære gjennom dette.
- ◆ Smør en film av olje over hele den tiltenkte skjærelinjen.


Vedlikehold

Black & Decker-verktøyet ditt er konstruert for å være i drift over lengre tid med et minimum av vedlikehold. Det er avhengig av godt vedlikehold og regelmessig rengjøring for å fungere som det skal til enhver tid.

- ◆ Rengjør ventilasjonsåpningene i verktøyet jevnlig med en myk børste eller tørr klut.
- ◆ Rengjør motorhuset regelmessig med en ren, fuktig klut. Ikke bruk slipende eller løsemiddelbaserte rengjøringsmidler. La det aldri sive væske inn i verktøyet, og senk aldri noen deler av verktøyet ned i væske.

Miljø



Separat avfallshåndtering. Dette produktet  må ikke kastes sammen med vanlig husholdningsavfall.

Når Black & Decker-produktet er utslitt, skal det ikke kastes som husholdningsavfall. Dette produktet må kastes separat.



Hvis brukte produkter og emballasje leveres atskilt, kan materialer resirkuleres og brukes på nytt. Resirkulering av brukte produkter gir redusert miljøforurensning og mindre behov for råmaterialer.

Det kan være lokale bestemmelser for egen innsamling av elektriske produkter fra husstander, på kommunale avfallsplasser eller hos forhandleren når du kjøper et nytt produkt.

Black & Decker tar i mot brukte Black & Decker-produkter for resirkulering. Du kan levere produktet til et autorisert serviceverksted.

For informasjon om nærmeste autoriserte serviceverksted, kontakt ditt lokale Black & Decker-kontor på den adressen som er angitt i bruksanvisningen. Det finnes også en liste over autoriserte Black & Decker-serviceverksteder og opplysninger om ettersalgsservice og kontakter på Internett: www.2helpU.com.

Batterier



Tenk på miljøet når batteriene er tomme og du skal kaste dem.

Ikke kortslutt batteripolene.

Ikke kast batteriet på ild. Dette kan føre til personskade eller en eksplosjon.

La batteriet gå helt tomt og fjern det så fra verktøyet.

Batterier kan resikuleres. Legg batteriet i egnet emballasje for å sikre at polene ikke kortslutter. Ta dem til et autorisert serviceverksted eller til nærmeste spesialavfallsstasjon.

Tekniske data

	KS900E TYPE 1 KS900EL TYPE 1
Spenning	V AC 230
Normert inngang	W 600
Hastighet ubelastet	min ⁻¹ 800–3000
Maks. skjæredybde	
Tre	mm 85
Stål	mm 5
Aluminium	mm 15
Vekt	kg 2,36
(med laser)	kg 2,66

Lydtrykknivå i henhold til EN60745:

Lydtrykk (L_{pA}) 87 dB(A), usikkerhet (K) 3 dB(A)
lydeffektnivå (L_{WA}) 98 dB(A), usikkerhet (K) 3 dB(A)

Totale vibrasjonsverdier (vektorsum fra tre retninger)
bestemt i samsvar med EN 60745:

Saging i tre ($a_{h, CW}$) 10,5 m/s², usikkerhet (K) 1,5 m/s²

Saging i metall ($a_{h, CM}$) 14,5 m/s²,
usikkerhet (K) 1,5 m/s²

Samsvarserklæring for EU
MASKINDIREKTIVET

KS900E, KS900EL

Black & Decker erklærer at produktene som er beskrevet under "Tekniske data", er i samsvar med: 2006/42/EF, EN60745-1, EN60745-2-11

Du kan få mer informasjon ved å kontakte Black & Decker på følgende adresse eller på adressen på baksiden av håndboken.

Undertegnede er ansvarlig for utarbeidelsen av den tekniske dokumentasjonen og gir denne erklæringen på vegne av Black & Decker.

Kevin Hewitt
Vice-President Global Engineering
Black & Decker Europe,
210 Bath Road, Slough
Berkshire, SL1 3YD
Storbritannia
14.02.2011

Garanti

Black & Decker er trygg på kvaliteten til sine produkter og tilbyr en enestående garanti. Denne garantierklæringen kommer i tillegg til dine lovbestemte rettigheter, og er ikke i konflikt med disse. Garantien er gyldig i EU- og EFTA-medlemsstatene.

Hvis et Black & Decker-produkt går i stykker på grunn av material- og/eller fabrikkasjonsfeil eller har mangler i forhold til spesifikasjonene, innen 24 måneder fra kjøpet, påtar Black & Decker seg å skifte ut defekte deler, reparere produkter som har vært utsatt for alminnelig slitasje, eller bytte ut slike produkter med minst mulig vanskelighet for kunden, med mindre:

produktet har vært brukt i yrkes-/næringsvirksomhet eller til utleie.

produktet har vært utsatt for feilaktig bruk eller mislighold.

produktet har blitt skadet av fremmede gjenstander eller stoffer eller ved et uhell.

reparasjoner er forsøkt utført av andre enn autoriserte serviceverksteder eller Black & Deckers serviceteknikere.

For å ta garantien i bruk skal produktet og kjøpekvitteing leveres til forhandleren eller til et autorisert serviceverksted. For informasjon om nærmeste autoriserte serviceverksted, kontakt ditt lokale Black & Decker-kontor på den adressen som er angitt i bruksanvisningen. En oversikt over autoriserte serviceverksteder og opplysninger om ettersalgsservice og kontakter er også tilgjengelig på Internett:

www.2helpU.com

Besøk vårt webområde **www.blackanddecker.no** for å registrere ditt nye Black & Decker-produkt og for å holde deg oppdatert om nye produkter og spesialtilbud. Du finner mer informasjon om Black & Decker og produktutvalget vårt på **www.blackanddecker.no**.

Anvendelsesområde

Din Black & Decker-stiksav er beregnet til at save i træ, plastic og metal. Værktøjet er kun beregnet til privat brug.

Sikkerhedsvejledninger

Generelle sikkerhedsadvarsler for elværktøj



Advarsel! Læs alle sikkerhedsadvarsler og instruktioner. Hvis ikke alle instruktioner følges, kan der opstå risiko for elektrisk stød, brand og/eller alvorlige personskader.

Gem alle advarsler og instruktioner til senere brug.

Begrebet "elværktøj", der benyttes i nedenstående advarsler, henviser til netdrevne (med netledning) eller batteridrevne maskiner (uden netledning).

1. **Sikkerhed i arbejdsområdet**
 - a. **Sørg for, at arbejdsområdet er rent og ordentligt oplyst.** Uordentlige og uoplyste arbejdsområder øger faren for uheld.
 - b. **Brug ikke elværktøj i eksplosionstruede omgivelser, f.eks. hvor der er brændbare væsker, gasser eller støv.** Elværktøj kan slå gnister, der kan antænde støv eller dampe.
 - c. **Sørg for, at børn og andre personer holder sig på afstand, når elværktøjet er i brug.** Hvis man distraheres, kan man miste kontrollen over maskinen.
2. **Elektricitet og sikkerhed**
 - a. **Elværktøjsstik skal passe til stikkontakten. Stikket må under ingen omstændigheder ændres. Brug ikke adapterstik sammen med jordforbundet elværktøj.** Uændrede stik, der passer til stikkontakterne, nedsætter risikoen for elektrisk stød.
 - b. **Undgå kropskontakt med jordforbundne overflader som f.eks. rør, radiatorer, komfurer og køleskabe.** Hvis din krop er jordforbundet, øges risikoen for elektrisk stød.
 - c. **Elværktøj må ikke udsættes for regn eller fugt.** Indtrængen af vand i elværktøj øger risikoen for elektrisk stød.
 - d. **Undgå at ødelægge ledningen. Undgå at bære, trække eller afbryde elværktøjet ved at rykke i ledningen. Beskyt ledningen mod varme, olie, skarpe kanter eller maskindele, der er i bevægelse.** Beskadigede eller indviklede ledninger øger risikoen for elektrisk stød.
 - e. **Hvis elværktøj benyttes i det fri, skal der benyttes en forlængerledning, som er godkendt til udendørs brug.** Brug af en forlængerledning til udendørs brug nedsætter risikoen for elektrisk stød.
- f. **Brug en strømkilde med fejlstrømsbeskyttelse, hvis det er uundgåeligt at anvende elværktøj på fugtige steder.** Med en fejlstrømsbeskyttelse reduceres risikoen for elektrisk stød.
3. **Personlig sikkerhed**
 - a. **Vær opmærksom, hold øje med, hvad du laver, og brug elværktøjet fornuftigt. Man bør ikke bruge maskinen, hvis man er træt, har nydt alkohol eller er påvirket af medicin eller euforiserende stoffer.** Få sekunders uopmærksomhed ved brug af elværktøjet kan føre til alvorlige personskader.
 - b. **Brug personlige værnemidler. Brug altid beskyttelsesbriller.** Brug af værnemidler som f.eks. støvmaske, skridsikret fodtøj, beskyttelseshjelm eller høreværn nedsætter risikoen for personskader, hvis udstyret anvendes korrekt.
 - c. **Sørg for, at værktøjet ikke kan starte utilsigtet. Kontroller, at startknappen ikke er aktiveret, inden apparatet tilsluttes strømkilden og/eller batteriet, samles op eller bæres.** Bæres elværktøj, mens fingeren er på kontakten, eller tilsluttes det, mens kontakten står på tændt, kan der nemt ske en ulykke.
 - d. **Fjern indstillingsværktøj eller skruenøgle, inden elværktøjet tændes.** Et værktøj eller en nøgle, der efterlades i en roterende del i elværktøjet, kan resultere i personskader.
 - e. **Stræk dig ikke for langt. Sørg for, at du altid har sikkert fodfæste og balance.** Det gør det nemmere at kontrollere elværktøjet, hvis der skulle opstå uventede situationer.
 - f. **Brug egnet arbejdstøj. Undgå løse beklædningsgenstande eller smykker. Hold hår, tøj og handsker væk fra dele, der bevæger sig.** Bevægelige dele kan gribe fat i løstsiddende tøj, smykker eller langt hår.
 - g. **Hvis støvudsugnings- og opsamlingsudstyr kan monteres, er det vigtigt, at dette tilsluttes og benyttes korrekt.** Brug af dette udstyr nedsætter risikoen for skader forårsaget af støv.
4. **Brug og vedligeholdelse af elværktøj**
 - a. **Undgå at overbelaste elværktøjet. Brug altid det rette elværktøj til opgaven.** Med det rigtige elværktøj udføres arbejdet lettere og sikrere og i det tempo, som værktøjet er beregnet til.
 - b. **Brug ikke elværktøjet, hvis startknappen er defekt.** Elværktøj, der ikke kan reguleres med startknappen, er farligt og skal repareres.
 - c. **Træk stikket ud af stikkontakten og/eller batteriet inden indstilling, tilbehørsudskiftning eller opbevaring af elværktøjet.** Disse

sikkerhedsforanstaltninger reducerer risikoen for utilsigtet start af værktøjet.

- d. **Opbevar ubenyttet elværktøj uden for børns rækkevidde. Lad aldrig personer, der ikke er fortrolige med elværktøj, eller som ikke har gennemlæst disse instrukser, benytte maskinen.** Elværktøj er farligt, hvis det benyttes af ukyndige personer.
- e. **Elværktøj bør vedligeholdes omhyggeligt. Kontroller, om bevægelige dele er skæve og ikke sidder fast, og om delene er brækket eller beskadiget, så elværktøjets funktion påvirkes. Få beskadigede dele repareret, inden elværktøjet tages i brug.** Mange uheld skyldes dårligt vedligeholdt elværktøj.
- f. **Sørg for, at skæreværktøjer er skarpe og rene.** Omhyggeligt vedligeholdt skæreværktøjer med skarpe skærekanten sætter sig ikke så hurtigt fast og er nemmere at styre.
- g. **Brug elværktøjet, tilbehøret, indsatsværktøj osv. i overensstemmelse med disse instruktioner under hensyntagen til arbejdsforholdene og arbejdet, der skal udføres med værktøjet.** I tilfælde af anvendelse af elværktøjet til formål, som ligger uden for det fastsatte anvendelsesområde, kan der opstå farlige situationer.
5. **Service**
- h. **Sørg for, at elværktøjet kun repareres af kvalificerede fagfolk, og at der kun benyttes originale reservedele.** Dermed opretholdes elværktøjets sikkerhed.

Yderligere sikkerhedsadvarsler for elværktøj



Advarsel! Yderligere sikkerhedsadvarsler for stiksav.

- ◆ **Hold i el-værktøjets isolerede grebflader ved udførelse af arbejde, hvor der er risiko for, at tilbehøret kommer i kontakt med skjulte ledninger eller dets egen ledning.** Tilbehør, der kommer i kontakt med en spændingsførende ledning, kan gøre uisolerede dele af elværktøjet strømførende og give brugeren elektrisk stød.
- ◆ **Brug skruetvinger eller lignende til at holde og støtte materialet på en stabil platform.** Det er ikke nok at holde materialet tæt til kroppen. Materialet kommer ud af kontrol.
- ◆ **Hold hænderne på afstand af skæreamrådet.** Ræk aldrig ind under materialet uanset årsagen. Anbring ikke fingrene i nærheden af den frem- og tilbagegående

klinge og klingeholderen. Stabiliser ikke saven ved at gribe omkring sålen.

- ◆ **Hold klingerne skarpe.** Døve eller beskadigede klinger kan få saven til at slingre eller standse under pres. Brug altid den rigtige type savklinger til materialet og formålet.
- ◆ **Når der saves i rør og rørledninger, er det vigtigt, at de er fri for vand, elektriske ledninger osv.**
- ◆ **Rør ikke ved materialet eller klingens, umiddelbart efter at værktøjet har været i brug.** De kan være meget varme.
- ◆ **Vær opmærksom på skjulte risici, inden der saves i vægge, gulve eller lofter. Kontroller, om der findes ledninger og rør.**
- ◆ **Klingen fortsætter med at bevæge sig, efter at kontakten er sluppet.** Sluk altid værktøjet, og vent, indtil savklingsens bevægelse er helt ophørt, inden du lægger værktøjet fra dig.

Advarsel! Berøring af eller indånding af støvpartikler fra skærearbejder kan udgøre en fare for både brugerens og eventuelle tilskuers helbred. Bær en specielt designet støvmaske til beskyttelse mod støv og røg, og sørg for, at personer på eller som indtræder på arbejdsområdet også er beskyttet.

- ◆ Apparatets påtænkte anvendelse fremgår af vejledningen. Brugen af ekstraudstyr eller tilbehør eller udførelse af opgaver med værktøjet ud over de i brugervejledningen anbefalede kan medføre risiko for personskade og/eller materiel skade.

Andres sikkerhed

- ◆ Dette værktøj er ikke beregnet til at blive brugt af personer (herunder børn) med nedsatte fysiske, sensoriske eller mentale evner eller manglende erfaring og viden, med mindre det sker under overvågning, eller der gives instruktion i brugen af værktøjet af en person, der er ansvarlig for deres sikkerhed.
- ◆ Børn skal holdes under opsyn, så det sikres, at de ikke leger med værktøjet.

Vibration

De angivne værdier for udsendelse af vibration opført under de tekniske data og overensstemmelseserklæringen er målt i henhold til standardtestmetoden anført i EN 60745 og kan bruges til at sammenligne ét værktøj med et andet. Den angivne værdi for udsendelse af vibration kan også bruges som en foreløbig vurdering af eksponeringen.

Advarsel! Værdien for udsendelse af vibration ved faktisk brug af elværktøjet kan adskille sig fra den angivne værdi afhængigt af måden, værktøjet anvendes på. Vibrationsniveauet kan overstige det angivne niveau.

I vurderingen af eksponeringen til vibration med henblik på fastsættelse af sikkerhedsforanstaltninger forlængt i 2002/44/EC for at beskytte personer, der jævnligt anvender elværktøj i deres arbejde, skal der tages hensyn til de faktiske betingelser under brugen, og måden værktøjet bruges på, herunder alle arbejds cyklusens elementer, f.eks. perioder, hvor værktøjet er slukket og kører i tomgang tillige med startperioderne.

Mærkatere på værktøj



Advarsel! Brugeren skal læse brugervejledningen for at reducere risikoen for skader.

Elektricitet og sikkerhed



Denne maskine er dobbelt isoleret. Derfor er jordledning ikke nødvendig. Kontroller altid, at strømforsyningen svarer til spændingen på typeskiltet.

- Hvis netledningen beskadiges, skal den udskiftes af producenten eller et autoriseret Black & Decker-værksted, så farlige situationer undgås.

Yderligere sikkerhedsvejledninger til ikke-genopladelige batterier

- Forsøg aldrig at åbne uanset årsag.
- Opbevar ikke på steder, hvor temperaturen kan overstige 40 °C.
- Følg ved bortskaffelse af batterier vejledningen i afsnittet "Miljø".
- Brænd ikke batterierne.
- Under ekstreme forhold kan der forekomme batterilækage. Hvis du opdager væske på batterierne, skal du gøre følgende:
 - Tør forsigtigt væsken af med en klud. Undgå kontakt med huden.

Yderligere sikkerhedsvejledninger for lasere



Læs hele vejledningen omhyggeligt.



Dette produkt må ikke bruges af børn under 16 år.



Laserstråling.



Se aldrig ind i laserstrålen.



Benyt aldrig optiske redskaber til at se laserstrålen.

- Denne laser er i overensstemmelse med klasse 2 iht. EN 60825-1:2007. Erstat aldrig laserdioden med en anden type. Hvis laseren er beskadiget, skal den repareres af et autoriseret serviceværksted.
- Laseren må ikke bruges til andet formål end projektion af laserlinjer.
- Udsættes øjet for en stråle fra en laser i klasse 2 er dette kun regnet for sikkert i maksimalt 0,25 sekunder. Øjenlågets reflekser vil under normale omstændigheder være tilstrækkelig beskyttelse. Ved afstande på mere end 1 m er laseren i overensstemmelse med klasse 1 og regnes derfor som fuldstændig sikker.
- Se aldrig direkte og med fuldt overlæg ind i laserstrålen.
- Benyt aldrig optiske redskaber til at se laserstrålen.
- Sæt aldrig værktøjet op hvor laserstrålen kan ramme en person i hovedhøjde.
- Børn må aldrig komme i nærheden af laseren.

Funktioner

1. Greb til trinløs hastighed
2. Afbryder
3. Spærreknap
4. Dæksel til opbevaringsrummet til savklinger
5. Låsegreb til sål
6. Støvudsugningsudgang
7. Sål
8. Støtterulle til savklinge
9. Pendulbevægelsesvælger

Yderligere karakteristika (fig. A)

Der kan være yderligere karakteristika afhængigt af det anskaffede produkt. De yderligere karakteristika for de enkelte katalognumre fremgår af figur A.

Montering

Advarsel! Sørg for at værktøjet er afbrudt, stikket taget ud og at savklingen er standset inden nogle af de følgende funktioner foretages. Brugte savklinger kan være varme.

Montering og afmontering af savklingen (fig. B og C)

Advarsel! Sørg for at værktøjet er afbrudt, stikket taget ud og at savklingen er standset inden nogle af de følgende funktioner foretages. Brugte savklinger kan være varme.

Isætning af savklingen (fig. B)

- Hold på savklingen (10) som vist, så tænderne vender fremad.
- Tryk på og hold klingeholderen (11) nede.
- Sæt savklingens skaft ind i holderen (12) så langt det kan gå ind.
- Slip klingeholderen (11).

Opbevaring af savklinger (fig. C)

Savklinger (10) kan opbevares i opbevaringsrummet (4) på siden af værktøjet.

- ◆ Åbn dækslet til klingeopbevaringsrummet (4) ved at holde i toppen af dækslet og trække udad.
- ◆ En magnetstrimmel holder klingerne fast i rummet. Når en klinge skal tages ud, skal den ene ende af klingens trykkes ned, så den anden ende løftes, og klingens kan tages ud.
- ◆ Luk dækslet over opbevaringsrummet til savklinger (4), og kontroller, at det er helt lukket.

Advarsel! Luk døren til opbevaringsrummet helt, inden saven anvendes.

Tilslutning af en støvsuger til værktøjet (fig. D)

Der kræves en adapter (13) for at slutte en støvsuger eller støvdudskiller til værktøjet.

- ◆ Sæt adapteren (13) i støvsugningsudgangen (6).
- ◆ Sæt støvsugerslangen (14) i adapteren (13).

Skæringslinjeblåser (fig. E)

- ◆ Stiksaven er udstyret med en skæringslinjeblåser (15), som holder arbejdsstedet fri for støv, så du kan se, hvor du saver.

Restrisici

Der kan opstå yderligere restrisici under brugen af værktøjet, som ikke kan medtages i vedlagte sikkerhedsadvarsler. Disse risici kan opstå pga. forkert anvendelse, langvarig brug etc.

Selv ved overholdelse af relevante sikkerhedsforskrifter og anvendelse af sikkerhedsudstyr kan visse restrisici ikke undgås. Disse omfatter:

- ◆ Tilskadekomst forårsaget af berøring af roterende/bevægelige dele.
- ◆ Tilskadekomst forårsaget af udskiftning af dele, blade eller tilbehør.
- ◆ Tilskadekomst forårsaget af langvarig brug af et værktøj. Husk at holde pause jævnligt ved brug af et værktøj i længere tid.
- ◆ Høreskader.
- ◆ Sundhedsrisici forårsaget af indånding af støv, der genereres ved brug af værktøjet (eksempel: Arbejde med træ, især, eg, bøg og MDF).

Anvendelse

Justering af sålen til skråsnit (fig. F og G)

Advarsel! Brug aldrig værktøjet hvis sålen er løs eller afmonteret.

Sålen (7) kan indstilles til en venstre eller højre vinkel på op til 45°.

- ◆ Træk sålens låsegreb (5) udad for at frigøre sålen (7) fra positionen 0 grader.
- ◆ Træk sålen (7) fremad, og indstil den ønskede vinkel på 15°, 30° og 45°, som angives i vinkelvinduet.
- ◆ Skub sålens låsegreb (5) tilbage mod saven for at låse sålen (7).

Sådan nulstilles sålen (7) til lige snit:

- ◆ Træk sålens låsegreb (5) udad for at frigøre sålen (7).
- ◆ Indstil sålen (7) i en vinkel på 0°, og skub sålen bagud.
- ◆ Skub sålens låsegreb (5) tilbage mod saven for at låse sålen (7).

Indstilling af pendulbevægelsen (fig. H)

- ◆ Sæt kontakten til valg af pendulbevægelse (9) på den ønskede position.
- ◆ Position 0: metal og aluminium samt metalplader.
- ◆ Position I: til laminater, hårdt træ og bordplader.
- ◆ Position II: til krydsfiner og PVC/plast.
- ◆ Position III: til blødt træ og hurtig savning.

Trinløs hastighedskontrol

- ◆ Stil den trinløse hastighedskontrol (1) på det ønskede hastighedsområde.
- ◆ Brug en høj hastighed til træ, en middel hastighed til aluminium og PVC og en lav hastighed til metaller ud over aluminium.

Start og stop

- ◆ Tænd for værktøjet ved at trykke på tænd/sluk-kontakten (2).
- ◆ Sluk for værktøjet ved at udløse tænd/sluk-kontakten (2).
- ◆ Tryk på spærreknappen (3), og slip tænd/sluk-kontakten (2) for at opnå konstant funktion.
- ◆ Tryk på og slip tænd/sluk-kontakten (2) for at slukke værktøjet, når det kører konstant.

Savning

Hold godt fast i værktøjet med begge hænder, mens du saver.

Sålen (7) skal holdes fast mod materialet, der saves i. Det medvirker til at forhindre, at saven hopper, reducerer vibrationer og minimerer risikoen for, at klingens knækker.

- ◆ Lad klingens løbe frit et par sekunder, inden du begynder at save.
- ◆ Tryk kun let med værktøjet, mens du skærer.

Betjening af laseren (fig. I-L) (kun KS900EL-enheder)

Isætning af batterier (fig I)

Afmontér lasermodul (17) fra stiksaven ved at fjerne skruen (16) og trække lasermodul fremad. Isæt to nye alkaliske 1,5 volt AAA-batterier, og sørg for at vende de positive (+) og negative (-) poler rigtigt. Sæt lasermodul (17) på igen.

Justerung af laseren fra side til side (fig. J)

Note: Laseren er beregnet som en hjælp ved skæringen og garanterer ikke en præcis skæring.

Advarsel! Laseren må ikke justeres, mens stiksavens stik sidder i kontakten.

- ◆ Brug laserens justeringsskrue (18) til at tilrette laserlinjen med savklingen efter behov.

Laserens synlighed (strøm) reduceres, hvis stiksaven overophedes. Laseren er muligvis ikke synlig, hvis saven er overlastet i længere tid. Laseren synlighed vil langsomt vende tilbage til normal, når værktøjet køler af, også efter at værktøjets stik er taget ud.

Advarsel! Efterlad aldrig kontakten TÆNDT på en overophedet laser. Sørg for, at kontakten står på SLUKKET, og tag batterierne ud for at afbryde strømmen til laseren.

Brug af laser (fig. K - L)

Laseren projicerer skæringslinjen (21) på overfladen af arbejdsmaterialet.

- ◆ Tænd for laseren ved at trykke på knappen (19).
- ◆ Sluk for laseren ved at trykke på knappen (19) igen.

Ved at se ovenfra og ned på stiksaven er det nemt at følge skæringslinjen (21). Er det af en eller anden grund ikke muligt at se den på denne måde, kan laseren bruges om et alternativt skærestyr.

- ◆ Brug en blyant til at afmærke skæringslinjen (20).
- ◆ Placér stiksaven over linjen (20).
- ◆ Tænd for laseren.

Godt råd til optimal brug

Skæring i laminaer

Der kan opstå splinter, når der skæres i laminat, hvilket kan beskadige forsiden. De fleste savklinger skærer i det opadgående strøg, så hvis sålen er placeret på oversiden, skal der enten bruges en savklinge, der skærer i det nedadgående strøg, eller:

- ◆ Brug en savklinge med fine tænder.
- ◆ Skær fra bagsiden af arbejdsmaterialet.
- ◆ Klem et stykke spildtræ eller hardboard på begge sider af materialet og sav gennem denne sandwich for at minimere splinteringen.

Skæring i metal

Vær opmærksom på, at skæring i metal tager meget længere tid end skæring i træ.

- ◆ Brug en savklinge der egner sig til skæring i metal.
- ◆ Klem et stykke spildtræ til bagsiden af arbejdsmaterialet og sav gennem denne sandwich når der skæres i tynde metalplader.
- ◆ Læg en oliefilm langs den påtænkte skæringslinje.

Vedligeholdelse

Dit Black & Decker-værktøj er beregnet til at være i drift gennem en længere periode med minimal vedligeholdelse. Forsat tilfredsstillende drift afhænger af korrekt behandling af værktøjet samt regelmæssig rengøring.

- ◆ Rengør regelmæssigt værktøjets ventilationshuller med en blød børste eller en tør klud.
- ◆ Rens med jævne mellemrum motorhuset med en fugtig klud. Der må ikke bruges skuremidler eller opløsningsmidler. Lad aldrig væske trænge ind i værktøjet, og nedsæk aldrig nogen del af værktøjet i væske.

Miljø



Separat bortskaffelse. Dette produkt må ikke bortskaffes sammen med almindeligt husholdningsaffald.

Når dit Black & Decker-produkt en dag er udtjent, eller du ikke længere har brug for det, må du ikke smide det ud sammen med det almindelige affald. Produktet skal bortskaffes særskilt.



Ved adskilt bortskaffelse af brugte produkter og emballage bliver der mulighed for at genanvende forskellige stoffer. Genanvendelse af stoffer medvirker til at forebygge miljøforurening og mindsker behovet for råstoffer.

Lokal lovgivning kan kræve separat indsamling af elprodukter fra husholdningen, ved kommunale affaldsdepoter eller af den detailhandlende ved køb af et nyt produkt.

Black & Decker sørger for at indsamle og genanvende Black & Decker-produkter, når disse ikke længere kan bruges. Hvis du vil benytte dig af denne service, skal du returnere produktet til et autoriseret værksted, der indsamler produkterne for os.

EU overensstemmelseserklæring MASKINDIREKTIV



KS900E, KS900EL

Kontakt det lokale Black & Decker-kontor på den adresse, som er opgivet i denne vejledning, for at få oplysninger om det nærmeste autoriserede værksted. En liste over alle autoriserede Black & Decker-serviceværksteder samt servicevilkår og kontaktpersoner er tilgængelig på internettet på adressen: www.2helpU.com.

Batterier



Når batterier er udtjente, skal de bortskaffes under passende hensyntagen til miljøet:

Batteripolerne må ikke kortsluttes.

Batteriet/batterierne må ikke kastes på ild, da dette kan medføre personskaade eller eksplosion.

Aflad batteriet helt, og tag det derefter ud af værktøjet. Batterier kan genbruges. Anbring batteriet/batterierne i en egnet emballage, så polerne ikke kortsluttes. Aflever dem på et autoriseret værksted eller en lokal genbrugsstation.

Tekniske data

	KS900E TYPE 1 KS900EL TYPE 1
Spænding	VAC 230
Nominal indgangseffekt	W 600
Hastighed uden belastning	min. ⁻¹ 800-3000
Maks. skæredybde	
Træ	mm 85
Stål	mm 5
Aluminium	mm 15
Vægt	kg 2,36
(med laser)	kg 2,66

Lydtrykkniveau i henhold til EN 60745:

Lydtryk (L_{pA}) 87 dB(A), usikkerhed (K) 3 dB(A)

Lydeffekt (L_{WA}) 98 dB(A), usikkerhed (K) 3 dB(A)

Samlede værdier for vibration (triaksial vektorsum)
i henhold til EN 60745:

Savning i træ ($a_{h, CW}$) 10,5 m/s², usikkerhed (K) 1,5 m/s²

Savning i metal ($a_{h, CM}$) 14,5 m/s²,
usikkerhed (K) 1,5 m/s²

Black & Decker erklærer, at produkterne beskrevet under "Tekniske data" er i overensstemmelse med 2006/42/EF, EN60745-1, EN60745-2-11

Kontakt Black & Decker på nedenstående adresse, eller se bagsiden af vejledningen.

Undertegnede er ansvarlig for udarbejdelsen af de tekniske data og fremsætter denne erklæring på vegne af Black & Decker.

Kevin Hewitt
Vice-President Global Engineering
Black & Decker Europe,
210 Bath Road, Slough,
Berkshire, SL1 3YD
Storbritannien
14-02-2011

Garanti

Black & Decker garanterer, at produktet er fri for materielle skader og/eller fabriktionsfejl ved levering til kunden. Garantien er et tillæg til forbrugers lovsikrede rettigheder og påvirker ikke disse. Garantien gælder inden for medlemsstaterne af den Europæiske Union og i det Europæiske Frihandelsområde.

Hvis et Black & Decker-produkt går i stykker på grund af materiel skade og/eller fabriktionsfejl eller på anden måde ikke fungerer i overensstemmelse med specifikationen inden for 24 måneder fra købsdatoen, påtager Black & Decker sig at reparere eller ombytte produktet med mindst mulig ulempe for kunden. Garantien gælder ikke for fejl og mangler, der er sket i forbindelse med:

normal slitage

uheldige følger efter unormal anvendelse af værktøjet overbelastning, hærværk eller overdrevent intens brug af værktøjet eller ulykkeshændelse

Garantien gælder ikke, hvis reparationer er udført af nogen anden end et autoriseret Black & Decker-værksted.

For at udnytte garantien skal produktet og købskvitteringen indleveres til forhandleren eller til et autoriseret værksted. Kontakt det lokale Black & Decker-kontor på den adresse, som er opgivet i denne vejledning, for at få oplysninger om det nærmeste autoriserede værksted. En liste over alle autoriserede Black & Decker-serviceværksteder samt servicevilkår er tilgængelig på internettet på adressen:

www.2helpU.com

Gå venligst ind på vores website **www.blackanddecker.dk** for at registrere dit nye produkt og for at blive holdt ajour om nye produkter og specialtilbud. Der findes yderligere oplysninger om mærket Black & Decker og vores produktsortiment på adressen **www.blackanddecker.dk**.

Käyttötarkoitus

Black & Deckerin pistosaha soveltuu puun, muovin ja metallin sahaamiseen. Kone on tarkoitettu kotikäyttöön.

Turvallisuusohjeet

Sähkötyökalujen yleiset turvavaroitukset



Varoitus! Lue kaikki turvavaroitukset ja ohjeet.

Ohjeiden noudattamisen laiminlyönti saattaa johtaa sähköiskuun, tulipaloon ja/tai vakavaan loukkaantumiseen.

Säästä kaikki varoitukset ja ohjeet tulevaa käyttöä varten.

Ohjeissa käytetty käsite "sähkötyökalu" tarkoittaa verkkokäyttöisiä sähkötyökaluja (verkkojohdolla) ja akkukäyttöisiä sähkötyökaluja (ilman verkkojohtoa).

1. Työalueen turvallisuus

- Pidä työalue puhtaana ja hyvin valaistuna.**
Työpaikan epäjärjestys ja valaisemattomat työalueet voivat johtaa tapaturmiin.
- Älä käytä sähkötyökalua räjähdyksalttiissa ympäristössä, jossa on palavaa nestettä, kaasua tai pölyä.** Sähkötyökalu muodostaa kipinöitä, jotka saattavat sytyttää pölyn tai höyryt.
- Pidä lapset ja sivulliset loitolla sähkötyökalua käyttäessäsi.** Voit menettää laitteen hallinnan, jos huomiosi suuntautuu muualle.

2. Sähköturvallisuus

- Sähkötyökalun pistokkeen tulee sopia pistorasiaan.** Pistoketta ei saa muuttaa millään tavalla. Älä käytä mitään pistorasiasovittimia maadoitettujen sähkötyökalujen kanssa. Alkuperäiset pistokkeet ja niille sopivat pistorasiat vähentävät sähköiskun vaaraa.
- Vältä koskettamasta maadoitettuja pintoja, kuten putkia, pattereita, liesiä tai jääkaappeja.** Sähköiskun vaara kasvaa, jos kehosi on maadoitettu.
- Älä altista sähkötyökalua sateelle tai kosteudelle.** Veden tunkeutuminen sähkötyökalun sisään kasvattaa sähköiskun riskiä.
- Älä käsittele virtajohtoa kovakouraisesti. Älä käytä sitä sähkötyökalun kantamiseen, vetämiseen tai pistokkeen irrottamiseen pistorasiasta.** Pidä johto loitolla kuumuudesta, öljystä, terävistä reunoista ja liikkuvista osista. Vahingoittuneet tai sotkeutuneet johdot lisäävät sähköiskun vaaraa.
- Käyttäessäsi sähkötyökalua ulkona käytä ainoastaan ulkokäyttöön soveltuvaa jatkojohtoa.** Ulkokäyttöön soveltuvan jatkojohdon käyttö pienentää sähköiskun vaaraa.

- Jos sähkötyökalua on välttämättä käytettävä kosteassa paikassa, käytä jännönsvirtalaitteella (RCD) suojattua virtälähdettä.** Jännönsvirtalaitteen käyttö vähentää sähköiskun vaaraa.
- ### 3. Henkilöturvallisuus
- Keskity työskentelysi ja noudata tervettä järkeä käyttäessäsi sähkötyökaluja. Älä käytä sähkötyökalua, jos olet väsynyt tai huumeiden, alkoholin tai lääkkeiden vaikutuksen alaisena.** Hetken tarkkaamattomuus sähkötyökalua käytettäessä saattaa johtaa vakavaan loukkaantumiseen.
 - Käytä henkilökohtaisia suojarusteita. Käytä aina suojalaseja.** Suojavarusteet, kuten hengityssuojain, luistamattomat turvajalkineet, kypärä ja kuulosuojaimet, pienentävät loukkaantumisriskiä, jos niitä käytetään tilanteen mukaan oikein.
 - Vältä tahatonta käynnistämistä. Varmista, että kytkin on off-asennossa, ennen kuin liität laitteen virtalähteeseen ja/tai akkuun, nostat laitteen tai kannat sitä.** Onnettomuusvaara lisääntyy, jos kannat sähkötyökalua sormi käyttökytkimellä tai kytket työkalun virtajohdon pistorasiaan, kun käyttökytkin on päällä.
 - Irrota mahdollinen säätö- tai kiintoavain, ennen kuin käynnistät sähkötyökalun.** Sähkötyökalun pyöriivään osaan kiinni jäänyt avain voi johtaa loukkaantumiseen.
 - Älä kurkotta liian kauas. Seiso aina tukevasti ja tasapainossa.** Tällöin voit paremmin hallita sähkötyökalua yllättävissä tilanteissa.
 - Käytä tarkoitukseen soveltuvia vaatteita. Älä käytä löysiä työvaatteita tai koruja. Pidä hiukset, vaatteet ja käsineet loitolla liikkuvista osista.** Väljät vaatteet, korut ja pitkät hiukset voivat takertua liikkuviin osiin.
 - Jos työkalun voi liittää pölynimuriin, tarkista, että liitos on tehty asianmukaisesti ja että sitä käytetään oikealla tavalla.** Tällaisen laitteen käyttö vähentää pölyn aiheuttamia vaaroja.
- ### 4. Sähkötyökalujen käyttö ja hoito
- Älä ylikuormita laitetta. Käytä kyseiseen työhön tarkoitettua sähkötyökalua.** Sopivaa sähkötyökalua käyttäen työskentelet paremmin ja turvallisemmin tehoalueella, jolle sähkötyökalu on tarkoitettu.
 - Älä käytä sähkötyökalua, jota ei voida käynnistää ja pysäyttää virtakytkimestä.** Jos sähkötyökalua ei voi käynnistää ja pysäyttää virtakytkimellä, se on vaarallinen ja se täytyy korjata.
 - Irrota pistotulppa pistorasiasta ja/tai akku laitteesta, ennen kuin suoritat säätöjä, vaihdat tarvikkeita tai siirrät sähkötyökalun varastoitavaksi.** Nämä turvatoimenpiteet pienentävät sähkötyökalun tahattoman käynnistämisen riskiä.

- d. Säilytä sähkötyökalut poissa lasten ulottuvilta, kun niitä ei käytetä. Älä anna sähkötyökalua sellaisen henkilön käyttöön, joka ei tunne sitä tai joka ei ole tutustunut tähän käyttöohjeeseen. Sähkötyökalut ovat vaarallisia kokemattoman käyttäjän käsissä.
- e. Hoida sähkötyökalusi huolella. Tarkista, että liikkuvat osat toimivat moitteettomasti ja etteivät ne ole puristuksessa. Tarkista myös, ettei työkalussa ei ole murtuneita tai vahingoittuneita osia, jotka saattaisivat vaikuttaa haitallisesti sen toimintaan. Korjauta mahdolliset viat ennen käyttöönottoa. Moni tapaturma aiheutuu huonosti huolletuista laitteista.
- f. Pidä leikkausterät terävinä ja puhtaina. Huolellisesti hoidettu, terävä leikkausterä ei tartu herkästi kiinni, ja sitä on helpompi hallita.
- g. Käytä sähkötyökaluja, tarvikkeita, vaihtotyökaluja jne. näiden ohjeiden mukaisesti. Ota tällöin huomioon työolosuhteet ja suoritettava toimenpide. Sähkötyökalun käyttö muuhun kuin sille määrättyyn käyttöön saattaa johtaa vaarallisiin tilanteisiin.
5. Huolto
- h. Anna koulutettujen ja ammattitaitoisten henkilöiden korjata sähkötyökalusi ja hyväksy korjauksiin vain alkuperäisiä varaosia. Näin varmistat, että sähkötyökalu säilyy turvallisena.

Sähkötyökalujen lisäturvavaroitukset



Varoitus! Lisäturvavaroitukset pistosahoille.

- ◆ **Pitele sähkötyökalua eristetyistä tartuntapinnoista, kun teet työtä, jossa työkalu voi joutua kosketuksiin piilossa olevien sähköjohtojen tai oman virtajohtonsa kanssa.** Jännitteisen johtimen sisältävä leikkausväline voi tehdä myös sähkötyökalun paljaista metalliosista jännitteisiä ja aiheuttaa käyttäjälle sähköiskun.
- ◆ **Kiinnitä työstettävä kappale esimerkiksi ruuvipuristimella tukevaan alustaan.** Kappaleen kannatteleminen käsin tai sen tukeminen omaa kehoa vasten voi johtaa kappaleen irtoamiseen ja vaaratilanteeseen.
- ◆ **Pidä kätesi poissa leikkausalueelta.** Älä koskaan työnnä kättäsi työstökohteen alapuolelle. Älä työnnä sormia liikkuvaan terään tai sen kiinnikkeeseen. Älä tue sahaa pitämällä kiinni sahausjalasta.
- ◆ **Käytä teräviä teriä.** Tylsät tai vahingoittuneet terät voivat leikata vinoon tai jäädä kiinni. Käytä työstettävään materiaaliin soveltuvaa sahanterää, jolla saat haluamasi sahausjäljen.

- ◆ **Jos sahaat putkea tai kotelointia, tarkista ensin, ettei sen sisällä ole vettä, sähköjohtoa, tms.**
 - ◆ **Älä kosketa terää tai sahattua leikkauspintaa heti sahausksen jälkeen.** Ne voivat olla hyvin kuumia.
 - ◆ **Varo piilossa olevia vaaroja. Tarkista sähköjohtojen ja putkien sijainti, ennen kuin sahaat seinää, lattiaa tai kattoa.**
 - ◆ **Terän liike jatkuu vielä hetken käyttökymmen vapauttamisen jälkeen.** Katkaise virta ja odota, että terän liike on kokonaan pysähtynyt, ennen kuin lasket laitteen käsistäsi.
- Varoitus!** Leikatessa syntyvän pölyn kanssa kosketuksiin joutuminen tai sen hengittäminen saattaa olla haitallista käyttäjän tai lähellä olijoiden terveydelle. Käytä kasvosuojusta, joka on erityisesti tarkoitettu suojaamaan pölyltä ja höyryiltä, ja varmista, että kaikki työalueella olevat ja sinne tulevat henkilöt käyttävät suojavarusteita.
- ◆ Työkalun käyttötarkoitus on kuvattu tässä käyttöohjeessa. Käytä työkalua ainoastaan sellaiseen työhön, johon se on tarkoitettu, ja käytä vain käyttöohjeessa ja tuotekuvastossa suositeltuja tarvikkeita ja lisälaitteita. Ohjeesta poikkeava käyttö voi aiheuttaa henkilö- ja/tai omaisuusvahinkoja.

Toisten ihmisten turvallisuus

- ◆ Tätä työkalua ei ole tarkoitettu sellaisten henkilöiden käyttöön, joilla on fyysisiä tai älyllisiä rajoitteita tai aistirajoitteita, eikä laitteen toimintaan perehtymättömien henkilöiden käyttöön (lapset mukaan luettuina), paitsi valvonnan alaisina tai jos he ovat saaneet laitteen käyttöön liittyvää opastusta heidän turvallisuudestaan vastaavalta henkilöltä.
- ◆ Lapsia on valvottava ja estettävä leikkimästä laitteella.

Tärinä

Teknisissä tiedoissa ja yhdenmukaisuusilmoituksessa ilmoitettu tärinäpäästöarvo on mitattu EN 60745 -standardin testausmenetelmän mukaisesti, ja sen avulla voidaan vertailla työkaluja keskenään. Ilmoitettua tärinäpäästöarvoa voidaan käyttää myös altistumisen alustavaan arviointiin.

Varoitus! Sähkötyökalun käytön aikana mitattu todellinen tärinäpäästöarvo voi poiketa ilmoitetusta tärinäpäästöarvosta työkalun käyttötavan mukaan. Tärinätaso voi olla ilmoitettua tasoa suurempi.

Kun tärinälle altistumista arvioidaan sen määrittämiseksi, mitä direktiivin 2002/44/EY mukaisia turvatoimenpiteitä vaaditaan sähkötyökaluja säännöllisesti käyttävien henkilöiden suojelemiseksi, tärinälle altistumisen arvioinnissa on otettava huomioon todelliset käyttöolosuhteet ja työkalun käyttötavat. Todellisen käytön lisäksi on kiinnitettävä huomiota myös siihen, milloin työkalu on sammutettuna tai se käy tyhjänä.

Laitteissa olevat merkinnot



Varoitus! Käyttäjän on luettava käyttöopas vahinkojen välttämiseksi.

Sähköturvallisuus



Tämä laite on kaksoiseristetty, joten erillistä maadoitusta ei tarvita. Tarkista aina, että virtalähde vastaa arvokilvessä ilmoitettua jännitettä.

- Jos virtajohto vahingoittuu, sen vaihtaminen tulee turvallisuussyistä jättää valmistajan tai valtuutetun Black & Decker -huollon tehtäväksi.

Lisäturvaohjeet kertakäyttöparistoille

- Älä koskaan yritä avata paristoja.
- Älä säilytä akkua tiloissa, joissa lämpötila voi nousta yli 40 °C:n.
- Noudata paristoja hävittäessäsi kohdassa "Ympäristönsuojelu" annettuja ohjeita.
- Älä hävitä paristoja polttamalla.
- Vaativissa oloissa voi ilmetä paristovuotoja. Jos huomaa nestettä paristojen pinnalla, toimi seuraavasti:
 - Pyyhi neste varovasti pois liinalla. Vältä ihotoketusta.

Lisäturvaohjeet lasereille



Lue tämä käyttöohje huolellisesti.



Tätä tuotetta ei ole tarkoitettu alle 16-vuotiaiden lasten käyttöön.



Lasersäteily



Älä katso lasersäteeseen.



Älä katso lasersädettä optisilla välineillä.

- Tämä on standardin EN 60825-1:2007 mukaan luokan 2 laserlaite. Älä vaihda laserdiodia muuntyyppiseen. Jos laser on vioitunut, korjauta se valtuutetussa huoltokorjaamossa.
- Älä käytä laseria muuhun kuin laserlinjojen merkitsemiseen.
- Silmän altistumisen luokan 2 lasersäteelle katsotaan olevan turvallista enintään 0,25 sekunnin ajan. Silmäluomen refleksit tarjoavat yleensä riittävän suojan. Yli 1 metrin etäisyydellä laser on luokan 1 mukainen, joten sen katsotaan olevan täysin turvallinen.
- Älä koskaan katso lasersädettä suoraan ja tarkoituksellisesti.
- Älä katso lasersädettä optisilla välineillä.
- Älä aseta työkalua siten, että lasersäde voi osua henkilöihin päin korkeudella.
- Älä anna lasten tulla laserin lähelle.

Yleiskuvas

1. Nopeudensäätönappi
2. Virrankatkaisija
3. Lukituspainike
4. Sahanterien säilytyslokero kansi
5. Jalustalevyn lukitusvipu
6. Pölynpoistoaukko
7. Jalustalevy
8. Sahanterän vastinrulla
9. Heiluri-iskun valitsin

Muut ominaisuudet (kuva A)

Hankitussa laitteessa voi olla myös muita ominaisuuksia, jotka on ilmoitettu kuvassa A laitteiden tuotenumeroiden yhteydessä.

Kokoaminen

Varoitus! Ennen kuin yrität suorittaa mitään seuraavista toimenpiteistä, varmista, että työkalun virta on katkaistu, sähköpistoke on irrotettu sähköverkosta ja sahanterä on pysähtynyt. Käytössä olleet sahanterät voivat olla kuumia.

Sahanterän asennus ja poisto (kuvat B ja C)

Varoitus! Ennen kuin yrität suorittaa mitään seuraavista toimenpiteistä, varmista, että työkalun virta on katkaistu, sähköpistoke on irrotettu sähköverkosta ja sahanterä on pysähtynyt. Käytössä olleet sahanterät voivat olla kuumia.

Sahanterän asentaminen (kuva B)

- Pidä sahanterää (10) kuvassa näytetyllä tavalla hampaat eteenpäin.
- Tartu terän kiinnikkeeseen (11) ja paina sitä alas päin.
- Työnnä sahanterän varsi teränpitimeen (12) niin pitkälle kuin se menee.
- Vapauta terän kiinnike (11).

Sahanterän säilytys (kuva C)

Sahanteriä (10) voidaan säilyttää työkalun sivussa olevassa säilytyslokerossa (4).

- ◆ Avaa sahanterien säilytyslokeron kansi (4) painamalla kannen yläosassa olevaa kielekettä ja vetämällä kantta ulospäin.
- ◆ Sahanterät kiinnitetään lokeroon magneettiliuskalla. Voit irrottaa terän painamalla sen yhtä päätä, jolloin toinen pää nousee ylös.
- ◆ Sulje sahanterien säilytyslokeron (4) kansi ja varmista, että se on lukittu salvoilla.

Varoitus! Sulje säilytyslokeron kansi kunnolla ennen sahan käyttöä.

Teollisuuspölynimurin kytkeminen laitteeseen (kuva D)

Pölynimurin tai pölynimulaitteen kytkemiseksi laitteeseen tarvitaan sovitin (13).

- ◆ Työnnä sovitin (13) pölynpoistoliitäntään (6).
- ◆ Kytke pölynimurin letku (14) sovittimeen (13).

Leikkuu-uran puhallin (kuva E)

- ◆ Pistosahassa on leikkuu-uran puhallin (15), joka helpottaa näkemistä poistamalla pölyn työskentelyalueelta sahatessa.

Jäännösriskit

Jäännösriskit ovat mahdollisia, jos käytät työkalua muulla kuin turvavaroituksissa mainitulla tavalla. Nämä riskit voivat liittyä muun muassa virheelliseen tai pitkäaikaiseen käyttöön.

Tiettyjä jäännösriskejä ei voi välttää, vaikka noudatat kaikkia turvamaääräyksiä ja käytät turvalaitteita. Näihin kuuluvat muun muassa

- ◆ pyöriä tai liikkuvien osien koskettamisen aiheuttamat vahingot
- ◆ osia, teriä tai lisävarusteita vaihdettaessa aiheutuneet vahingot
- ◆ työkalun pitkäaikaisen käytön aiheuttamat vahingot Kun käytät työkalua pitkään, varmista, että pidät säännöllisesti taukoja.
- ◆ kuulovauriot
- ◆ työkalua käytettäessä (esimerkiksi puuta, erityisesti tammea, pyökiä ja MDF-levyjä, käsiteltäessä) syntyneen pölyn sisäänhengityksen aiheuttamat terveysriskit.

Käyttö

Jalustalevyn säätäminen viistosahausta varten (kuvat F ja G)

Varoitus! Älä koskaan käytä työkalua, kun jalustalevy on löysällä tai irrotettu.

Jalustalevy (7) voidaan kääntää vasempaan tai oikeaan enintään 45° viistoon kulmaan.

- ◆ Vedä jalustalevyn lukitusvipua (5) ulospäin ja vapauta jalustalevy (7) 0 asteen asennosta.
- ◆ Vedä jalustalevyä (7) eteenpäin ja aseta se vinosahaussikkunan avulla 15, 30 tai 45 asteen kulmaan.
- ◆ Lukitse jalustalevy (7) työntämällä jalustalevyn lukitusvipua (5) taaksepäin sahaa kohti.

Jalustalevyn (7) asennon palauttaminen suoraa sahauskia varten:

- ◆ Avaa jalustalevy (7) vetämällä jalustalevyn lukitusvipua (5) ulospäin.
- ◆ Säädä jalustalevy (7) noin 0 asteen kulmaan ja työnnä sitä taaksepäin.
- ◆ Lukitse jalustalevy (7) työntämällä jalustalevyn lukitusvipua (5) taaksepäin sahaa kohti.

Heiluri-iskun valitseminen (kuva H)

- ◆ Säädä heiluri-iskun valitsin (9) haluamaasi asentoon.
- ◆ Asento 0: metalli ja alumiini sekä ohuet metallilevyt.
- ◆ Asento I: laminaatit, kovapuu ja työtasot.
- ◆ Asento II: vaneri ja PVC/muovit.
- ◆ Asento III: pehmeä puu ja nopea sahaus.

Nopeudensäätö

- ◆ Kierrä nopeudensäätönappi (1) halutulle nopeusalueelle.
- ◆ Sahaa puuta suurimmalla nopeudella, alumiinia ja PVC:tä keskinopeudella ja muita metalleja hitaalla nopeudella.

Käynnistyksen ja pysäytys

- ◆ Käynnistä laite painamalla virtakytkintä (2).
- ◆ Sammuta kone päästämällä irti virrankatkaisijasta (2).
- ◆ Jatkuvaa käyttöä varten paina lukituspainiketta (3) ja vapauta virtakytkin (2).
- ◆ Sammuta jatkuvassa käytössä oleva laite painamalla virtakytkintä (2) ja vapauttamalla se.

Sahaus

Pitele sahaa tukevasti molemmin käsin sahausajan aikana.

Jalustalevy (7) on painettava lujasti sahattavaa materiaalia vasten. Tällöin saha ei pääse hyppimään ja tärisemään. Näin parhaiten estetään terän katkeaminen.

- ◆ Anna terän liikkua vapaasti muutaman sekunnin ajan ennen kuin aloitat sahaamisen.
- ◆ Paina työkalua vain kevyesti, kun leikkaat.

Laserin käyttäminen (kuvat I–L) (vain KS900EL-malli)

Paristojen asentaminen (kuva I)

Irrota lasermoduuli (17) pistosahasta poistamalla ruuvi (16) ja työntämällä lasermoduulia eteenpäin. Aseta kaksi uutta 1,5 voltin AAA-alkaliparistoa ja varmista, että paristojen (+)- ja (-)-navat ovat oikein päin. Kiinnitä lasermoduuli (17) takaisin.

Laserin säätäminen rinnakkain (kuva J)

Note: Laser on tarkoitettu avustamaan sahauskessa. Se ei takaa tarkkaa sahausjälkeä.

Varoitus! Älä säädä laseria, kun pistosaha on kiinni sähköverkossa.

- ◆ Säädä tarvittaessa laserinjaa sahanterän suuntaiseksi laserin säätöruuvien (18) avulla.

Lasersäteen näkyvyys (teho) heikkenee, jos pistosaha ylikuumentuu. Lasersäde ei ehkä näy, jos sahaa on ylikuormitettu pitkäkestoisesti. Lasersäteen näkyvyys palaa hitaasti normaaliksi, kun työkalu jäähtyy, vaikka työkalu ei ole kiinni verkossa.

Varoitus! Älä jätä ylikuumentunutta laseria päälle. Varmista, että kytkin on asennossa OFF ja katkaise laserin virta poistamalla paristot.

Laserin käyttäminen (kuvat K–L)

Laser heijastaa sahauslinjan (21) työkappaleen pintaan.

- ◆ Käynnistä laser painamalla painiketta (19).
- ◆ Sammuta laser painamalla painiketta (19) uudelleen.

Sahauslinjaa (21) voi helposti seurata katsomalla sitä suoraan pistosahan yläpuolelta. Jos tämä näkymä on jostakin syystä peittynyt, laseria voidaan käyttää vaihtoehtoisena sahausohjaimena.

- ◆ Merkitse sahauslinjaa (20) lyijykynällä.
- ◆ Aseta pistosaha viivan (20) päälle.
- ◆ Käynnistä laser.

Vinkkejä parhaimman tuloksen saamiseksi

Laminaattien sahaaminen

Laminaattia sahatessa voi esiintyä säilytymistä, mikä voi vahingoittaa käsiteltyä pintaa. Yleisimmin käytetyt sahanterät liikkuvat ylöspäin, joten jos jalustalevy on käsitellyllä pinnalla, käytä alaspäin liikkuvaa sahanterää tai

- ◆ Käytä pienihampaista sahanterää.
- ◆ Sahaa työkappaletta taustapuolelta.
- ◆ Minimoi säilytyminen puristamalla palat hukkapuuta tai kovalevyä työkappaleen molemmille puolille ja sahaa kaikkien kerrosten läpi.

Metallin sahaaminen

Ota huomioon, että metallin sahaaminen kestää pitempään kuin puun.

- ◆ Käytä metallin sahaamiseen sopivaa sahanterää.
- ◆ Kun sahaat ohutta metalliarkkia, purista palat hukkapuuta työkappaleen molemmille puolille ja sahaa kaikkien kerrosten läpi.
- ◆ Levitä ohut kerros öljyä aiotulle sahauslinjalle.

Huolto

Black & Decker -työkalu on suunniteltu toimimaan mahdollisimman pitkän aikaa mahdollisimman vähällä huollolla. Oikealla huollolla ja säännöllisellä puhdistuksella kone säilyttää suorituskykynsä.

- ◆ Puhdista laitteen ilma-aukot säännöllisesti pehmeällä harjalla tai kuivalla rievulla.
- ◆ Puhdista moottorikotelo säännöllisesti kostealla rievulla. Älä käytä puhdistamiseen liuottimia tai voimakkaita puhdistusaineita. Älä päästä sahan sisään nestettä äläkä upota sitä nesteeseen edes osittain.

Ympäristö



Erillinen keräys. Tätä tuotetta ei saa hävittää normaalin kotitalousjätteen mukana.

Kun Black & Decker -laitteesi aikanaan täytyy vaihtaa tai kun se ei kelpaa enää käyttöön, älä hävitä laitetta kotitalousjätteen mukana. Toimita laite kierrätettäväksi.



Käytettyjen tuotteiden ja pakkausmateriaalien erilliskeruun avulla materiaalit voidaan kierrättää ja käyttää uudelleen. Kierrätysmateriaalien käyttö auttaa vähentämään ympäristön saastumista ja uusien raaka-aineiden tarvetta.

Paikallisissa säädöksissä voidaan määrätä, että kodin sähkötuotteiden keruu tapahtuu kaupunkien jätteidenkäsittelyasemilla tai laitteita myyvissä liikkeissä uuden tuotteen oston yhteydessä.

Kun laitteesi on käytetty loppuun, älä heitä sitä tavallisten roskien mukana pois, vaan vie se paikkakuntasi kierrätyskeskukseen tai jätä valtuutettuun Black & Deckerin huoltoliikkeeseen.

Tiedot valtuutetuista huoltoliikkeistä saa ottamalla yhteyttä Black & Decker Oy:hyn sekä Internetistä osoitteesta www.2helpU.com.

Paristot



Hävitä loppuun kuluneet akut ympäristöstävällisesti.

Käsittele akkua niin, että navat eivät joudu oikosulkuun. Älä yritä polttaa akkua, sillä se voi aiheuttaa henkilövahinkoja tai räjähtää.

Käytä akku täysin loppuun ja irrota se sitten työkalusta. Akut ovat kierrätyskelpoisia. Pakkaa akut niin, että navat eivät aiheuta oikosulkuja. Voit viedä ne mihin tahansa valtuutettuun huoltoliikkeeseen tai paikalliseen kierrätyskeskukseen.

Tekniset tiedot

	KS900E TYPE 1 KS900EL TYPE 1
Jännite	230 Vac
Ottoteho	600 W
Kuormittamaton nopeus	800-3000 min ⁻¹
Suurin sahausvyvyys	
puu	85 mm
teräs	5 mm
alumiini	15 mm
Paino	2,36 kg
(laserin kanssa)	2,66 kg

Äänenpainetaso mitattuna EN60745-standardin mukaisesti:

Äänenpaine (L_{pA}) 87 dB(A), epävarmuus (K) 3 dB(A)

Ääniteho (L_{WA}) 98 dB(A), epävarmuus (K) 3 dB(A)

Tärinän kokonaisarvot (vektorisumma), määritetty

EN 60745 -standardin mukaan:

Leikattaessa puuta ($a_{h, CW}$) 10,5 m/s²,
epävarmuus (K) 1,5 m/s²

Leikattaessa metallia ($a_{h, CM}$) 14,5 m/s²,
epävarmuus (K) 1,5 m/s²

EU:n yhdenmukaisuusilmoitus KONEDIREKTIIVI



KS900E, KS900EL

Black & Decker vakuuttaa näiden tuotteiden olevan seuraavien asetusten ja standardien vaatimusten mukaiset: 2006/42/EY, EN60745-1, EN60745-2-11

Lisätietoja saa ottamalla yhteyttä Black & Deckeriin tai käyttöohjeen kääntöpuolelta.

Allkirjoittanut vastaa teknisten tietojen kokoamisesta tehden tämän ilmoituksen Black & Deckerin puolesta.

Kevin Hewitt

Vice-President Global Engineering

Black & Decker Europe,

210 Bath Road, Slough,

Berkshire, SL1 3YD

Iso-Britannia

14.02.2011

Takuu

Black & Decker Oy takaa, ettei tuotteessa ollut materiaali- ja/ tai valmistusvikaa silloin, kun se toimitettiin ostajalle. Takuu on lisäys kuluttajan laillisiin oikeuksiin eikä vaikuta niihin.

Takuu on voimassa Euroopan unionin jäsenmaissa ja Euroopan vapaakauppa-alueella (EFTA).

Mikäli Black & Decker -tuote hajoaa materiaali- ja/ tai valmistusvirheen tai teknisten tietojen epätarkkuuden vuoksi 24 kk:n kuluessa ostopäivästä, Black & Decker korjaa laitteen ilman kustannuksia ostajalle tai vaihtaa sen uuteen Black & Decker Oy:n valinnan mukaan. Takuu ei kata vikoja, jotka johtuvat laitteen

normaalista kulumisesta

ylivuormituksesta, virheellisestä käytöstä tai hoidosta vahingoittamisesta vieraalla esineellä tai aineella tai onnettomuustapauksessa.

Takuu ei ole voimassa, mikäli laitetta on korjannut joku muu kuin Black & Deckerin valtuuttama huoltoliike.

Edellytyksenä takuun saamiselle on, että ostaja jättää koneen ja ostokuitin jälleenmyyjälle tai valtuutetulle huoltoliikkeelle viimeistään 2 kuukauden kuluessa vian ilmenemisestä. Tiedot valtuutetuista huoltoliikkeistä saa ottamalla yhteyttä Black & Decker Oy:hyn sekä Internetistä osoitteesta

www.2helpU.com, jossa on myös takuuehdot.

Käy verkkosivuiltamme **www.blackanddecker.fi**, jos haluat rekisteröidä uuden Black & Decker -tuotteesi ja saada tietoa uusista tuotteista ja erikoistarjouksista. Saat lisätietoja Black & Deckerin tavaramerkistä ja tuotevalikoimastamme osoitteesta **www.blackanddecker.fi**.

Ενδεξιμένη χρήση

Η σέγα σας Black & Decker έχει σχεδιαστεί για το πριόνισμα ξύλου, πλαστικών και μετάλλου. Αυτό το εργαλείο προορίζεται μόνο για ερασιτεχνική χρήση.

Οδηγίες ασφαλείας

Γενικές προειδοποιήσεις ασφαλείας για τα ηλεκτρικά εργαλεία



Προειδοποίηση! Διαβάστε όλες τις υποδείξεις και όλες τις οδηγίες. Η μη τήρηση όλων των υποδείξεων μπορεί να προκαλέσει ηλεκτροπληξία, πυρκαγιά ή/και σοβαρούς τραυματισμούς.

Φυλάξτε όλες τις προειδοποιήσεις και τις οδηγίες για μελλοντική αναφορά.

Ο χαρακτηρισμός "ηλεκτρικό εργαλείο" που χρησιμοποιείται σε όλες τις παρακάτω προειδοποιητικές υποδείξεις αφορά ή το εργαλείο που συνδέεται στην πρίζα (με καλώδιο) ή το εργαλείο που λειτουργεί με μπαταρία (χωρίς καλώδιο).

1. Ασφάλεια χώρου εργασίας

a. Διατηρείτε το χώρο που εργάζεστε καθαρό και καλά φωτισμένο. Η αταξία στο χώρο που εργάζεστε και τα σημεία χωρίς καλό φωτισμό μπορεί να οδηγήσουν σε ατυχήματα.

b. Μη χρησιμοποιείτε ηλεκτρικά εργαλεία σε περιβάλλον όπου υπάρχει κίνδυνος έκρηξης, π.χ. παρουσία εύφλεκτων υγρών, αερίων ή σκόνης. Τα ηλεκτρικά εργαλεία μπορεί να δημιουργήσουν σπινθηρισμό ο οποίος μπορεί να αναφλέξει τη σκόνη ή τις αναθυμιάσεις.

c. Όταν χρησιμοποιείτε το ηλεκτρικό εργαλείο, κρατάτε τα παιδιά και τα υπόλοιπα άτομα μακριά από το χώρο που εργάζεστε. Σε περίπτωση που άλλα άτομα αποσπάσουν την προσοχή σας μπορεί να χάσετε τον έλεγχο του μηχανήματος.

2. Ασφαλής χρήση του ηλεκτρικού ρεύματος

a. Το φως του καλωδίου του ηλεκτρικού εργαλείου πρέπει να ταιριάζει στην αντίστοιχη πρίζα. Δεν επιτρέπεται με κανένα τρόπο η μετασκευή του φως. Μη χρησιμοποιείτε προσαρμοστικά φως στα γειωμένα ηλεκτρικά εργαλεία. Τα φως που δεν έχουν υποστεί τροποποιήσεις και οι κατάλληλες πρίζες μειώνουν τον κίνδυνο ηλεκτροπληξίας.

b. Αποφύγετε την επαφή του σώματός σας με γειωμένες επιφάνειες όπως σωλήνες, θερμαντικά σώματα (καλοριφέρ), κουζίνες και ψυγεία. Όταν το σώμα σας είναι γειωμένο, αυξάνεται ο κίνδυνος ηλεκτροπληξίας.

- c. Μην εκθέτετε το ηλεκτρικό εργαλείο στη βροχή ή στην υγρασία.** Η διείσδυση νερού στο ηλεκτρικό εργαλείο αυξάνει τον κίνδυνο ηλεκτροπληξίας.
- d. Μη κακομεταχειρίζεστε το καλώδιο. Μη χρησιμοποιήσετε ποτέ το καλώδιο για να μεταφέρετε, να τραβήξετε ή να αποσυνδέσετε το εργαλείο από την πρίζα. Κρατάτε το καλώδιο μακριά από υψηλές θερμοκρασίες, λάδια, κοφτερές ακμές ή κινούμενα εξαρτήματα.** Τυχόν χαλασμένα ή μπερδεμένα καλώδια αυξάνουν τον κίνδυνο ηλεκτροπληξίας.
- e. Όταν χρησιμοποιείτε το ηλεκτρικό εργαλείο σε εξωτερικούς χώρους, να χρησιμοποιείτε πάντοτε καλώδια προέκτασης κατάλληλα για χρήση σε εξωτερικούς χώρους.** Η χρήση προεκτάσεων κατάλληλων για εργασία σε εξωτερικούς χώρους μειώνει τον κίνδυνο ηλεκτροπληξίας.
- f. Εάν η χρήση ενός ηλεκτρικού εργαλείου σε βρεγμένους χώρους ή με υγρασία είναι αναπόφευκτη, χρησιμοποιήστε ένα τροφοδοτικό με προστατευτική Συσκευή Παραμένοντος Ρεύματος (RCD).** Η χρήση μιας συσκευής RCD μειώνει τον κίνδυνο ηλεκτροπληξίας.
- 3. Ασφάλεια προσώπων**
 - a. Όταν χρησιμοποιείτε το ηλεκτρικό εργαλείο, να είστε προσεκτικοί, να δίνετε προσοχή στην εργασία που κάνετε και να επιστρατεύετε την κοινή λογική. Μη χρησιμοποιείτε το ηλεκτρικό εργαλείο όταν είστε κουρασμένοι ή όταν βρίσκεστε υπό την επήρεια ναρκωτικών, οινοπνεύματος ή φαρμάκων.** Μια στιγμιαία απροσεξία κατά το χειρισμό του ηλεκτρικού εργαλείου μπορεί να οδηγήσει σε σοβαρούς τραυματισμούς.
 - b. Να χρησιμοποιείτε εξοπλισμό προσωπικής προστασίας. Να φοράτε πάντα προστατευτικά γυαλιά.** Ο κίνδυνος τραυματισμών μειώνεται όταν χρησιμοποιείτε εξοπλισμό προστασίας, όπως μάσκα προστασίας από σκόνη, αντισιδητικά παπούτσια ασφαλείας, κράνη ή υαταπίδες, ανάλογα με τις συνθήκες εργασίας.
 - c. Προλαμβάνετε την αθέλητη θέση σε λειτουργία του ηλεκτρικού εργαλείου. Βεβαιωθείτε ότι ο διακόπτης λειτουργίας βρίσκεται στη θέση "OFF" πριν συνδέσετε το εργαλείο στην πρίζα και/ή στην μπαταρία, πριν το σηκώσετε ή το μεταφέρετε.** Η μεταφορά ηλεκτρικών εργαλείων με το δάχτυλό σας επάνω στο διακόπτη ή η σύνδεση στην πρίζα ηλεκτρικών εργαλείων με το διακόπτη στη θέση ενεργοποίησης, ενέχει κινδύνους πρόκλησης ατυχημάτων.

- d. Πριν θέσετε το ηλεκτρικό εργαλείο σε λειτουργία, αφαιρέστε τυχόν εργαλεία ή κλειδιά ρύθμισης. Ένα εργαλείο ή κλειδί συναρμολογημένο στο περιστρεφόμενο εξάρτημα ενός ηλεκτρικού εργαλείου μπορεί να προκαλέσει τραυματισμούς.
- e. Μην τεντώνεστε. Φροντίστε πάντοτε να έχετε την κατάλληλη στάση και να διατηρείτε την ισορροπία σας. Αυτό σας επιτρέπει τον καλύτερο έλεγχο του ηλεκτρικού εργαλείου σε περιπτώσεις απροσδόκτων καταστάσεων.
- f. Φοράτε κατάλληλη ενδυμασία εργασίας. Μη φοράτε φαρδιά ρούχα ή κοσμήματα. Κρατάτε τα μαλλιά, τα ενδύματα και τα γάντια σας μακριά από τα κινούμενα εξαρτήματα. Τα φαρδιά ρούχα, τα κοσμήματα και τα μακριά μαλλιά μπορεί να εμπλακούν στα κινούμενα εξαρτήματα.
- g. Αν προβλέπονται διατάξεις απαγωγής και συλλογής της σκόνης, βεβαιωθείτε ότι είναι συνδεδεμένες και ότι χρησιμοποιούνται σωστά. Η χρήση τέτοιων διατάξεων μειώνει τους κινδύνους που προέρχονται από τη σκόνη.
4. Χρήση και συντήρηση του ηλεκτρικού εργαλείου
- a. Μην υπερφορτώνετε το ηλεκτρικό εργαλείο. Χρησιμοποιείτε για την εκάστοτε εργασία σας το ηλεκτρικό εργαλείο που προορίζεται γι' αυτήν. Με το κατάλληλο ηλεκτρικό εργαλείο εργάζεστε καλύτερα και ασφαλέστερα στην ονομαστική περιοχή ισχύος του.
- b. Μη χρησιμοποιήσετε ποτέ ένα ηλεκτρικό εργαλείο του οποίου ο διακόπτης λειτουργίας είναι χαλασμένος. Ένα ηλεκτρικό εργαλείο του οποίου η λειτουργία δεν μπορεί να ελεγχθεί με το διακόπτη είναι επικίνδυνο και πρέπει να επισκευαστεί.
- c. Βγάλτε το φισ από την πρίζα και/ή την μπαταρία από το ηλεκτρικό εργαλείο, πριν διεξάγετε κάποια εργασία ρύθμισης, πριν αλλάξετε κάποιο εξάρτημα ή όταν πρόκειται να αποθηκεύσετε τα ηλεκτρικά εργαλεία. Αυτά τα προληπτικά μέτρα ασφαλείας μειώνουν τον κίνδυνο να θεθεί το εργαλείο αθέλητα σε λειτουργία.
- d. Να φυλάτε τα ηλεκτρικά εργαλεία που δεν χρησιμοποιείτε μακριά από παιδιά. Μην αφήνετε άτομα που δεν είναι εξοικειωμένα με το ηλεκτρικό εργαλείο ή που δεν έχουν διαβάσει αυτές τις οδηγίες χρήσης να το χρησιμοποιήσουν. Τα ηλεκτρικά εργαλεία είναι επικίνδυνα όταν χρησιμοποιούνται από άπειρα άτομα.
- e. Να συντηρείτε τα ηλεκτρικά εργαλεία. Ελέγξτε εάν τα κινούμενα μέρη είναι σωστά ευθυγραμμισμένα ή αν έχουν μπλοκάρει, εάν έχουν σπάσει κομμάτια και εάν πληρούνται όλες οι υπόλοιπες συνθήκες

που ενδεχομένως να επηρεάσουν τη σωστή λειτουργία του εργαλείου. Δώστε τυχόν χαλασμένα εξαρτήματα του ηλεκτρικού εργαλείου για επισκευή πριν το χρησιμοποιήσετε πάλι. Η ανεπαρκής συντήρηση των ηλεκτρικών εργαλείων αποτελεί αιτία πολλών ατυχημάτων.

- f. Διατηρείτε τα κοπτικά εργαλεία κοφτερά και καθαρά. Τα κοπτικά εργαλεία με αιχμηρά κοπτικά άκρα που συντηρούνται σωστά έχουν λιγότερες πιθανότητες να μπλοκάρουν και ελέγχονται ευκολότερα.
- g. Να χρησιμοποιείτε τα ηλεκτρικά εργαλεία, τα εξαρτήματα και τα άκρα των εργαλείων κλπ σύμφωνα με τις παρούσες οδηγίες, λαμβάνοντας υπόψη σας τις συνθήκες εργασίας και την εργασία που θέλετε να εκτελέσετε. Η χρήση του ηλεκτρικού εργαλείου για άλλες εκτός από τις προβλεπόμενες εργασίες μπορεί να δημιουργήσει επικίνδυνες καταστάσεις.
5. Σέρβις
- h. Το σέρβις του ηλεκτρικού σας εργαλείου πρέπει να αναλαμβάνει έμπειρος τεχνικός που θα χρησιμοποιεί μόνο γνήσια ανταλλακτικά. Έτσι εξασφαλίζεται η διατήρηση της ασφάλειας του ηλεκτρικού εργαλείου.

Συμπληρωματικές προειδοποιήσεις ασφαλείας για τα ηλεκτρικά εργαλεία.



Προειδοποίηση! Συμπληρωματικές προειδοποιήσεις ασφαλείας για τις σέγες

- ♦ Κρατήστε το ηλεκτρικό εργαλείο από τις μονωμένες λαβές, όταν εκτελείτε μία εργασία όπου το εξάρτημα κοπής μπορεί να έρθει σε επαφή με κρυμμένα καλώδια ή με το ίδιο του το καλώδιο. Εάν το εξάρτημα κοπής έρθει σε επαφή με ηλεκτροφόρο καλώδιο, μπορεί να κάνει τα μεταλλικά μέρη του ηλεκτρικού εργαλείου επίσης ηλεκτροφόρα και να προκαλέσει ηλεκτροπληξία στο χειριστή.
- ♦ Χρησιμοποιείτε σφιγκτήρες ή άλλα πρακτικά μέσα για να ασφαλίσετε και να συγκρατήτε το προς επεξεργασία αντικείμενο σε ένα σταθερό πάγκο. Η συγκράτηση του αντικειμένου με το χέρι ή επάνω στο σώμα σας το καθιστά ασταθές και μπορεί να οδηγήσει σε απώλεια του ελέγχου.
- ♦ Μην πλησιάζετε τα χέρια σας στην περιοχή κοπής. Ποτέ μην πλησιάζετε τα χέρια σας κάτω από το υπό επεξεργασία αντικείμενο για οποιονδήποτε λόγο. Μην πλησιάζετε τα δάχτυλα ή τον αντίχειρά σας κοντά στην παλλόμενη λάμα και το σφιγκτήρα της λάμας. Μη σταθεροποιείτε το πριόνι κρατώντας το από το πέδιλο.
- ♦ Διατηρείτε τις λάμες κοφτερές. Οι στομωμένες ή κατεστραμμένες λάμες μπορεί να προκαλέσουν

παρέκλιση του πριονιού ή διακοπή της λειτουργίας του υπό πίεση. Χρησιμοποιείτε πάντα τον κατάλληλο τύπο πριονόλαμας ανάλογα το υλικό του προς επεξεργασία αντικείμενου και τον τύπο κοπής.

- ♦ **Όταν κόβετε σωλήνες ή αγωγούς βεβαιωθείτε ότι δεν περιέχουν νερό, ηλεκτρικές καλωδιώσεις, κλπ.**
- ♦ **Μην αγγίζετε το προς επεξεργασία αντικείμενο ή τη λάμα αμέσως μετά τη χρήση του εργαλείου.** Μπορεί να είναι πολύ ζεστά.
- ♦ **Προσέχετε τους κρυφούς κινδύνους και πριν από την κοπή τοίχων, δαπέδων ή ταβανιών ελέγχετε για τυχόν διερχόμενα καλώδια ή σωλήνες.**
- ♦ **Ο δίσκος συνεχίζει να κινείται και μετά την απελευθέρωση του διακόπτη.** Απενεργοποιείτε πάντα το εργαλείο και περιμένετε να σταματήσει εντελώς ο δίσκος προτού ακουμπήσετε κάτω το εργαλείο.

Προειδοποίηση! Η επαφή ή η εισπνοή της σκόνης που δημιουργούν οι εφαρμογές κοπής μπορεί να φέρουν κίνδυνο για την υγεία του χειριστή και των ατόμων που ενδεχομένως παρευρίσκονται. Φορέστε μάσκα σκόνης ειδικά σχεδιασμένη για προστασία έναντι της σκόνης και των αναθυμιάσεων και βεβαιωθείτε ότι τα άτομα που βρίσκονται ή εισέρχονται στο χώρο εργασίας είναι επίσης προστατευμένα.

- ♦ Η ενδεδειγμένη χρήση περιγράφεται σε αυτό το εγχειρίδιο οδηγιών. Η χρήση οποιουδήποτε αξεσουάρ ή προσαρτήματος ή η εκτέλεση οποιασδήποτε εργασίας με αυτό το εργαλείο, διαφορετικής από αυτές που συστήνονται στο παρόν εγχειρίδιο οδηγιών ενδέχεται να εγκυμονεί κίνδυνο τραυματισμού και/ή ζημιάς σε ιδιοκτησία.

Ασφάλεια τρίτων

- ♦ Αυτό το εργαλείο δεν προορίζεται για χρήση από άτομα (στα οποία περιλαμβάνονται και τα παιδιά) με μειωμένες φυσικές, αντιληπτικές ή διανοητικές ικανότητες, ή άτομα χωρίς εμπειρία και γνώσεις, παρά μόνο εφόσον επιτηρούνται ή τους έχουν δοθεί οδηγίες σχετικά με τη χρήση του εργαλείου από άτομο υπεύθυνο για την ασφάλειά τους.
- ♦ Τα παιδιά πρέπει να επιτηρούνται για να είστε σίγουροι ότι δεν παίζουν με το εργαλείο.

Δόνηση

Η δηλωμένη τιμή εκπομπής δόνησης που αναφέρεται στα τεχνικά χαρακτηριστικά και τη δήλωση συμμόρφωσης έχει μετρηθεί σύμφωνα με μια τυποποιημένη μέθοδο δοκιμής που παρέχεται από το πρότυπο EN 60745 και μπορεί να χρησιμοποιηθεί για τη σύγκριση ενός εργαλείου με ένα άλλο. Η δηλωμένη τιμή εκπομπής δόνησης μπορεί επίσης να χρησιμοποιηθεί σε έναν προκαταρκτικό προσδιορισμό της έκθεσης.

Προειδοποίηση! Η τιμή εκπομπής δόνησης κατά την πραγματική χρήση του ηλεκτρικού εργαλείου μπορεί να διαφέρει από τη δηλωμένη τιμή ανάλογα με το τρόπο που χρησιμοποιείται το εργαλείο. Η στάθμη δόνησης μπορεί να αυξηθεί πάνω από τη στάθμη που έχει δηλωθεί.

Κατά τον προσδιορισμό της έκθεσης σε δόνηση για τον καθορισμό των απαιτούμενων μέτρων ασφάλειας σύμφωνα με την οδηγία 2002/44/ΕΚ για την προστασία προσωπών που χρησιμοποιούν συχνά ηλεκτρικά εργαλεία στην εργασία τους, μια προσεγγιστική εκτίμηση της έκθεσης σε δόνηση πρέπει να λαμβάνει υπόψη τις πραγματικές συνθήκες χρήσης και τον τρόπο χρήσης του εργαλείου, συμπεριλαμβανομένων και όλων των επιμέρους τμημάτων του κύκλου εργασίας, όπως, πόσες φορές τέθηκε το εργαλείο εκτός λειτουργίας, πότε είναι σε λειτουργία χωρίς φορτίο και επιπρόσθετα ο χρόνος πίεσης της σκανδάλης.

Επικές στα εργαλεία



Προειδοποίηση! Για να μειωθεί ο κίνδυνος τραυματισμού, ο χρήστης πρέπει να διαβάσει το εγχειρίδιο οδηγιών.

Ασφαλής χρήση του ηλεκτρικού ρεύματος



Αυτό το εργαλείο φέρει διπλή μόνωση, επομένως δεν απαιτείται σύρμα γείωσης. Ελέγχετε πάντοτε αν η τάση τροφοδοσίας αντιστοιχεί σε αυτήν που αναγράφεται στην πινακίδα στοιχείων του εργαλείου.

- ♦ Αν το καλώδιο ρεύματος έχει υποστεί φθορά, ή αντικατάστασή του πρέπει να γίνει από τον κατασκευαστή ή από ένα εξουσιοδοτημένο κέντρο της Black & Decker, ώστε να μην αποτελέσει κίνδυνο.

Συμπληρωματικές οδηγίες ασφαλείας για μη επαναφορτιζόμενες μπαταρίες

- ♦ Μην επιχειρήσετε ποτέ να ανοίξετε τις μπαταρίες για οποιοδήποτε λόγο.
- ♦ Μην φυλάσσετε τις μπαταρίες σε μέρη όπου η θερμοκρασία μπορεί να υπερβεί τους 40°C.
- ♦ Όταν απορρίπτετε τις μπαταρίες, ακολουθήστε τις οδηγίες που δίνονται στην ενότητα "Προστασία του περιβάλλοντος".
- ♦ Μη ρίχνετε τις μπαταρίες στη φωτιά.
- ♦ Κάτω από ακραίες συνθήκες, μπορεί να επέλθει διαρροή υγρών μπαταρίας. Αν παρατηρήσετε υγρό πάνω στις μπαταρίες, ενεργήστε ως εξής:
 - Σκουπίστε προσεκτικά το υγρό, χρησιμοποιώντας ένα πανί. Αποφύγετε την επαφή με το δέρμα.

Συμπληρωματικές οδηγίες ασφαλείας για τα λέιζερ



Διαβάστε ολόκληρο το εγχειρίδιο προσεχτικά.



Αυτό το προϊόν δεν πρέπει να χρησιμοποιείται από παιδιά κάτω των 16 ετών.



Ακτινοβολία λέιζερ.



Μην κοιτάτε κατευθείαν τη δέσμη ακτίνων λέιζερ.



Μη χρησιμοποιείτε οπτικά εργαλεία για να δείτε την δέσμη λέιζερ.

Αυτή η συσκευή λέιζερ συμμορφώνεται με την κλάση 2 σύμφωνα με το πρότυπο EN 60825-1:2007.

Μην αντικαταστήσετε μία δίοδο λέιζερ με μία άλλη διαφορετικού τύπου. Αν το λέιζερ χαλάσει, δώστε τη συσκευή για επιδιόρθωση σε ένα εξουσιοδοτημένο αντιπρόσωπο επισκευών.

Μη χρησιμοποιείτε το λέιζερ για άλλο σκοπό εκτός από την προβολή γραμμών λέιζερ.

Η έκθεση του ματιού σε μια δέσμη ακτίνων λέιζερ κλάσης 2 θεωρείται ασφαλής για μέγιστη διάρκεια 0,25 δευτερολέπτων. Τα αντανακλαστικά των βλεφάρων παρέχουν κανονικά επαρκή προστασία. Σε αποστάσεις μεγαλύτερες από 1m, η ακτινοβολία λέιζερ συμμορφώνεται με την κλάση 1 και επομένως θεωρείται εντελώς ασφαλής.

Μην κοιτάτε ποτέ σκόπιμα, κατευθείαν μέσα στη δέσμη λέιζερ.

Μη χρησιμοποιείτε οπτικά εργαλεία για να δείτε τη δέσμη ακτίνων λέιζερ.

Μην ρυθμίζετε το εργαλείο σε μέρος όπου η δέσμη λέιζερ μπορεί να διασταυρωθεί με οποιοδήποτε άτομο στο ύψος του κεφαλιού.

Μην αφήνετε τα παιδιά να έρχονται κοντά στο λέιζερ.

Χαρακτηριστικά

1. Μποτούν έλεγχου μεταβλητής ταχύτητας
2. Διακόπτης on/off
3. Κουμπί συνεχόμενης λειτουργίας
4. Κάλυμμα θήκης αποθήκευσης πριονόλαμας
5. Μοχλός κλειδώματος πέδιλου
6. Στόμιο απαγωγής σκόνης
7. Πέδιλο
8. Ράουλο βάσης πριονόλαμας
9. Επιλογές διαδρομής ταλάντωσης

Επιπρόσθετα χαρακτηριστικά(εικ. Α)

Μπορεί να ισχύουν επιπρόσθετα χαρακτηριστικά ανάλογα με το μοντέλο που αγοράσατε. Τα ισχύοντα επιπρόσθετα χαρακτηριστικά για τον αριθμό καταλόγου που αγοράσατε υποδεικνύονται στην εικ. Α.

Συναρμολόγηση

Προειδοποίηση! Πριν επιχειρήσετε κάποια από αυτές τις εργασίες, βεβαιωθείτε ότι εργαλείο είναι απενεργοποιημένο και αποσυνδεδεμένο από την πρίζα και ότι η πριονόλαμα είναι σταματημένη. Οι πριονόλαμες μετά από χρήση μπορεί να είναι ζεστές.

Τοποθέτηση και αφαίρεση πριονόλαμας (εικ. Β και C)

Προειδοποίηση! Πριν επιχειρήσετε κάποια από αυτές τις εργασίες, βεβαιωθείτε ότι εργαλείο είναι απενεργοποιημένο και αποσυνδεδεμένο από την πρίζα και ότι η πριονόλαμα είναι σταματημένη. Οι πριονόλαμες μετά από χρήση μπορεί να είναι ζεστές.

Τοποθέτηση πριονόλαμας(εικ. Β)

Κρατήστε την πριονόλαμα (10) όπως υποδεικνύεται, με τα δόντια να κοιτούν προς τα εμπρός.

Πιέστε και κρατήστε πατημένο κάτω το σφιγκτήρα της λάμας (11).

Τοποθετήστε το στέλεχος της πριονόλαμας μέσα στην υποδοχή της λάμας (12) όσο βαθιά πάει.

Ελευθερώστε το σφιγκτήρα (11).

Αποθήκευση πριονόλαμας(εικ. C)

Οι πριονόλαμες (10) μπορούν να αποθηκεύονται στη θήκη αποθήκευσης (4) στο πλαϊνό μέρος του εργαλείου.

Ανοίξτε το κάλυμμα της υποδοχής αποθήκευσης πριονόλαμας (4) πιάνοντας το γλωσσίδι στο επάνω μέρος του καλύμματος και τραβώντας το προς τα έξω.

Οι λάμες συγκρατούνται στη θήκη με μια μαγνητική ταινία. Για να αφαιρέσετε μια λεπίδα, πιέστε στο ένα άκρο της λεπίδας για να ανασηκώσετε το άλλο άκρο και αφαιρέστε την.

Κλείστε το κάλυμμα της υποδοχής αποθήκευσης πριονόλαμας (4) και βεβαιωθείτε ότι ασφάλισε στην κλειστή θέση.

Προειδοποίηση! Κλείστε καλά το κάλυμμα της υποδοχής αποθήκευσης πριν λειτουργήσετε το πριόνι.

Σύνδεση ηλεκτρικής φκούπας στο εργαλείο(εικ. D)

Απαιτείται ένας προσαρμογέας (13) για τη σύνδεση μιας ηλεκτρικής σκούπας ή ενός απαγωγού σκόνης επάνω στο εργαλείο.

Σπρώξτε τον προσαρμογέα (13) μέσα στο στόμιο απαγωγής σκόνης (6).

- ◆ Συνδέστε τον ελαστικό σωλήνα της σκούπας (14) στον προσαρμογέα (13).

Φυσήθρας γραμμής κοπής (εικ. Ε)

- ◆ Για διευκόλυνση της ορατότητας όταν κόβετε, η σέγας είναι εξοπλισμένη με φυσήθρα γραμμής κοπής (15) ο οποίος θα διαπρηεί το χώρο εργασίας καθαρό από σκόνη καθώς πριονίζετε.

Αναπόφευκτοι κίνδυνοι

Μπορεί να προκληθούν επιπρόσθετοι αναπόφευκτοι κίνδυνοι όταν χρησιμοποιείτε το εργαλείο οι οποίοι μπορεί να μη συμπεριλαμβάνονται στις προειδοποιήσεις ασφαλείας που εσκωκλείονται. Αυτοί οι κίνδυνοι μπορεί να προκληθούν από κακή χρήση, παρατεταμένη χρήση κτλ.

Ακόμα και με την τήρηση των σχετικών κανονισμών ασφαλείας και τη χρήση μέσων προστασίας, ορισμένοι κίνδυνοι δεν είναι δυνατό να εξαλειφθούν. Αυτοί περιλαμβάνουν:

- ◆ Τραυματισμούς από το άγγιγμα των περιστρεφόμενων/κινούμενων μερών.
- ◆ Τραυματισμούς από αλλαγή οπιοιωδηήποτε εξαρτημάτων, λεπίδων ή αξεσουάρ.
- ◆ Τραυματισμούς από παρατεταμένη χρήση του εργαλείου. Όταν χρησιμοποιείτε οποιοδήποτε εργαλείο για παρατεταμένους χρονικούς περιόδους βεβαιωθείτε ότι κάνετε τακτικά διαλείμματα.
- ◆ Προβλήματα ακοής.
- ◆ Κίνδυνοι στην υγεία που προκαλούνται από την εισπνοή σκόνης όταν χρησιμοποιείτε το εργαλείο (παράδειγμα: - όταν επεξεργάζεστε ξύλο, ειδικά δρυς, οξιά και MDF).

Χρήση

Ρύθμιση του πέλδילו για λοξές κοπές (εικ. F και G)

Προειδοποίηση! Μην χρησιμοποιείτε ποτέ το εργαλείο όταν το πέλδילו έχει χαλαρώσει ή έχει αφαιρεθεί.

Το πέλδילו (7) μπορεί να ρυθμιστεί για δεξιά ή αριστερή λοξή κοπή σε γωνία μέχρι 45°.

- ◆ Τραβήξτε το μοχλό κλειδώματος του πέλδילו (5) προς τα έξω για να απασφαλίσετε το πέλδילו (7) από τη θέση των 0 μοιρών.
- ◆ Τραβήξτε το πέλδילו (7) εμπρός και ρυθμίστε την απαιτούμενη λοξή κοπή 15°, 30° και 45° που υποδεικνύεται στο παράθυρο λοξής κοπής.
- ◆ Σπρώξτε το μοχλό κλειδώματος του πέλδילו (5) πίσω προς το εργαλείο μέχρι να κλειδώσει το πέλδילו (7).

Για να ρυθμίσετε πάλι το πέλδילו (7) για ευθείες τομές:

- ◆ Τραβήξτε το μοχλό κλειδώματος του πέλδילו (5) έξω για να απασφαλίσετε το πέλδילו (7).

- ◆ Ρυθμίστε το πέλδילו (7) σε γωνία 0° και έπειτα σπρώξτε το προς τα πίσω.
- ◆ Σπρώξτε το μοχλό κλειδώματος του πέλδילו (5) πίσω προς το εργαλείο μέχρι να κλειδώσει το πέλδילו (7).

Επιλογή της διαδρομής ταλάντωσης (εικ. Η)

- ◆ Ρυθμίστε τον επιλογέα διαδρομής ταλάντωσης (9) στην θέση που επιθυμείτε.
- ◆ Θέση 0: μέταλλο και αλουμίνιο και μεταλλικά ελάσματα.
- ◆ Θέση I: για ελάσματα, σκληρό ξύλο, επιφάνειες εργασίας.
- ◆ Θέση II: για καπλαμάδες και PVC/Πλαστικά.
- ◆ Θέση III: για μαλακό ξύλο και γρήγορες κοπές.

Έλεγχος μεταβλητής ταχύτητας

- ◆ Ρυθμίστε το μπουτόν ελέγχου μεταβλητής ταχύτητας (1) στην απαιτούμενη βαθμίδα ταχύτητας.
- ◆ Χρησιμοποιείτε μεγάλη ταχύτητα για το ξύλο, μέτρια ταχύτητα για το αλουμίνιο και το PVC και χαμηλή ταχύτητα για μέταλλα διαφορετικά από το αλουμίνιο.

Ενεργοποίηση και απενεργοποίηση του εργαλείου

- ◆ Για να ενεργοποιήσετε το εργαλείο, πατήστε το διακόπτη on/off (2).
- ◆ Για να απενεργοποιήσετε το εργαλείο, αποδεσμεύστε το διακόπτη on/off (4).
- ◆ Για συνεχή λειτουργία, πατήστε το κουμπί συνεχόμενης λειτουργίας (3) και αφήστε ελεύθερο το διακόπτη on/off (2).
- ◆ Για να απενεργοποιήσετε το εργαλείο κατά τη συνεχή λειτουργία, πατήστε και αφήστε το διακόπτη on/off (2).

Πριόνισμα

Κατά την κοπή, κρατάτε το εργαλείο καλά και με τα δύο χέρια.

Το πέλδילו (7) θα πρέπει να πιέζεται με δύναμη επάνω στο προς κοπή υλικό. Κάτι τέτοιο αποτρέπει τις αναπηδήσεις του πριονιού, μειώνει τις δονήσεις και ελαχιστοποιεί τις σπασμένες λάμες.

- ◆ Αφήστε τη λάμα να κινηθεί ελεύθερα για λίγα δευτερόλεπτα προτού ξεκινήσετε την κοπή.
- ◆ Κατά την εκτέλεση της κοπής, εφαρμόζετε μόνο μικρή πίεση στο εργαλείο.

Λειτουργία του λέιζερ (εικ. I - L) (μονάδα KS900EL μόνο)

Εγκατάσταση των μπαταριών (εικ. I)

Αποσυναρμολογήστε την υπομονάδα λέιζερ (17) από τη σέγα αφαιρώντας τη βίδα (16) και σπρώχνοντας τη μονάδα λέιζερ προς τα εμπρός. Τοποθετήστε δύο καινούργιες αλκαλικές μπαταρίες 1.5 Volt AAA, φροντίζοντας να ταιριάζετε τους πόλους (+) και (-) σωστά. Επανασυνδέστε τη μονάδα λέιζερ (17).

Ρύθμιση του λέιζερ από άκρη σε άκρη (εικ. J)

Note: Το λέιζερ προορίζεται για βοήθεια κατά την κοπή και δεν εξασφαλίζει την ακρίβεια της κοπής.

Προειδοποίηση! Μη ρυθμίζετε το λέιζερ με τη σέγα στην πρίζα.

- ◆ Χρησιμοποιήστε τη βίδα ρύθμισης του λέιζερ (18) για να ευθυγραμμίσετε τη γραμμή λέιζερ με την πριονόλαμα, αν χρειάζεται.

Η ορατότητα λέιζερ (ισχύς) ελαττώνεται όταν η σέγα υπερθερμανθεί. Το λέιζερ μπορεί να μην είναι ορατό όταν το πριόνι έχει υπερφορτωθεί για μια παρατεταμένη χρονική περίοδο. Η ορατότητα λέιζερ θα επανέλθει βαθμιαία στα φυσιολογικά επίπεδα μόνο όταν το εργαλείο κρυώσει ακόμη και αν αυτό δεν είναι στην πρίζα.

Προειδοποίηση! Μην αφήνετε το υπερφορτωμένο λέιζερ στη θέση ON. Βεβαιωθείτε ότι ο διακόπτης είναι στη θέση OFF και αφαιρέστε τις μπαταρίες για να διακόψετε την παροχή ισχύος στο λέιζερ.

Χρήση του λέιζερ (εικ. K - L)

Το λέιζερ προβάλλει τη γραμμή κοπής (21) πάνω στην επιφάνεια του αντικειμένου υπό επεξεργασία.

- ◆ Για να ενεργοποιήσετε το λέιζερ, πατήστε το κουμπί (19).
- ◆ Για να απενεργοποιήσετε το λέιζερ, ξαναπατήστε το κουμπί (19).

Βλέποντας κατευθείαν πάνω από τη σέγα, είναι εύκολη η παρακολούθηση της γραμμής κοπής (21). Εάν για οποιοδήποτε λόγο η ορατότητα περιορίζεται, το λέιζερ μπορεί να χρησιμοποιηθεί σαν εναλλακτικός οδηγός κοπής.

- ◆ Χρησιμοποιήστε ένα μολύβι για να σημαδέψετε τη γραμμή κοπής (20).
- ◆ Τοποθετήστε τη σέγα πάνω από τη γραμμή (20).
- ◆ Ενεργοποιήστε το λέιζερ.

Συμβουλές για άριστη χρήση

Πριόνισμα ελασμάτων

Κατά το κόψιμο ελασμάτων μπορεί να ετέλθει σχίσσιμο που θα καταστρέψει την εμφάνιση της επιφάνειας. Οι πιο κοινές πριονόλαμες κόβουν κατά τη διαδρομή προς τα πάνω, συνεπώς εάν το πέδιλο είναι σε επαφή με την επιφάνεια που φαίνεται είτε χρησιμοποιείτε μια πριονόλαμα η οποία κόβει κατά τη διαδρομή προς τα κάτω είτε:

- ◆ Χρησιμοποιείτε μια πριονόλαμα με λεπτά δόντια.
- ◆ Πριονίζετε από την πίσω επιφάνεια του αντικειμένου υπό επεξεργασία.
- ◆ Για να ελαχιστοποιήσετε το σχίσσιμο, στερεώστε με το σφιγκτήρα ένα κομμάτι άχρηστου ξύλου ή κόντρα πλακέ και στις δύο πλευρές του αντικειμένου υπό επεξεργασία και πριονίστε ανάμεσα σε αυτό το σάντουιτς.

Πριόνισμα μετάλλου

Να ξέρετε ότι το πριόνισμα μετάλλου παίρνει πολύ παραπάνω χρόνο από το πριόνισμα ξύλου.

- ◆ Χρησιμοποιείτε μια πριονόλαμα κατάλληλη για το πριόνισμα μετάλλου.
- ◆ Όταν κόβετε λεπτά μεταλλικά ελάσματα, στερεώστε με το σφιγκτήρα ένα κομμάτι άχρηστου ξύλου στην πίσω επιφάνεια του αντικειμένου υπό επεξεργασία και κόψτε ανάμεσα σε αυτό το σάντουιτς.
- ◆ Απλώστε ένα λεπτό στρώμα λαδιού κατά μήκος της γραμμής που σκοπεύετε να κόψετε.

Συντήρηση

Αυτό το εργαλείο της Black & Decker έχει σχεδιαστεί έτσι ώστε να λειτουργεί για μεγάλο χρονικό διάστημα με την ελάχιστη δυνατή συντήρηση. Η αδιάλειπτη και ικανοποιητική λειτουργία του εργαλείου εξαρτάται από τη φροντίδα και τον τακτικό καθαρισμό.

- ◆ Καθαρίζετε τακτικά τις εγκοπές εξαιρισμού του εργαλείου με μια μαλακή βούρτσα ή με ένα στεγνό πανί.
- ◆ Να καθαρίζετε τακτικά το περίβλημα του μοτέρ με ένα καθαρό και υγρό πανί. Μη χρησιμοποιείτε λιπαντικά καθαριστικά ή υγρά καθαρισμού που περιέχουν διαλυτικά. Μην επιτρέψετε ποτέ να εισέλθει υγρό στο εσωτερικό του εργαλείου και μη βυθίσετε ποτέ οποιοδήποτε εξάρτημα του εργαλείου σε υγρό.

Προστασία του περιβάλλοντος



Ξεχωριστή περισυλλογή. Αυτό το προϊόν δεν πρέπει να απορριπτεί μαζί με τα κοινά οικιακά απορρίμματα.

Εάν κάποια μέρα διαπιστώσετε ότι το προϊόν σας Black & Decker χρειάζεται αντικατάσταση, ή ότι δεν το χρειάζεστε άλλο, μην το απορρίψετε μαζί με τα κοινά οικιακά απορρίμματα αλλά κάντε αυτό το προϊόν διαθέσιμο για ανεξάρτητη αποκομιδή.



Η ανεξάρτητη συλλογή των μεταχειρισμένων προϊόντων και των υλικών συσκευασίας δίνει τη δυνατότητα ανακύκλωσης και επαναχρησιμοποίησης των υλικών. Με την επαναχρησιμοποίηση των ανακυκλωμένων υλικών αποτρέπεται η μόλυνση του περιβάλλοντος και μειώνεται η ζήτηση πρώτων υλών.

Οι κανονισμοί που ισχύουν στην περιοχή σας ενδέχεται να προβλέπουν την επιλεκτική περισυλλογή των ηλεκτρικών συσκευών που προέρχονται από νοικοκυριά σε κρατικές εγκαταστάσεις ή από τον έμπορο όταν αγοράσετε ένα καινούργιο προϊόν.

Η Black & Decker δίνει τη δυνατότητα ανακύκλωσης των προϊόντων της που έχουν συμπληρώσει τη διάρκεια ζωής τους. Για να χρησιμοποιήσετε αυτήν την υπηρεσία, επιστρέψτε το προϊόν σας σε οποιοδήποτε εξουσιοδοτημένο κέντρο επισκευών, όπου θα το παραλάβουν εκ μέρους μας.

Ενημερωθείτε για το πλησιέστερο εξουσιοδοτημένο κέντρο επισκευών της περιοχής σας, επικοινωνώντας με τα γραφεία της Black & Decker στη διεύθυνση που αναγράφεται στο εγχειρίδιο. Επίσης, για να πληροφορηθείτε για τα εξουσιοδοτημένα κέντρα επισκευών της Black & Decker και τους αρμόδιους των υπηρεσιών που παρέχονται μετά την πώληση, μπορείτε να ανατρέξετε στο Διαδίκτυο, στη διεύθυνση: www.2helpU.com.

Μπαταρίες



Στο τέλος της ωφέλιμης ζωής τους, απορρίψτε τις μπαταρίες με την πρέπουσα φροντίδα για το περιβάλλον μας:

- ◆ Μη βραχυκυκλώνετε τους ακροδέκτες της μπαταρίας.
- ◆ Μην απορρίπτετε την(τις) μπαταρία(ες) στη φωτιά, επειδή μπορεί να προκληθεί κίνδυνος προσωπικού τραυματισμού ή έκρηξη.
- ◆ Χρησιμοποιήστε τη συσκευή μέχρι να αδειάσει εντελώς η μπαταρία και στη συνέχεια αφαιρέστε τη από τη συσκευή.
- ◆ Οι μπαταρίες είναι ανακυκλώσιμες. Τοποθετήστε την(τις) μπαταρία(ες) σε κατάλληλη συσκευασία για να εξασφαλίσετε ότι οι ακροδέκτες δεν μπορούν να βραχυκυκλώσουν. Παραδώστε τις σε οποιονδήποτε εξουσιοδοτημένο αντιπρόσωπο επισκευών ή στον πλησιέστερο σταθμό ανακύκλωσης της περιοχής σας.

Τεχνικά χαρακτηριστικά

	KS900E TYPE 1
	KS900EL TYPE 1
Τάση	Vac 230
Ονομαστική είσοδος	W 600
Ταχύτητα χωρίς φορτίο	min ⁻¹ 800-3000
Μέγιστο βάθος κοπής	
Ξύλο	mm 85
Χάλυβας	mm 5
Αλουμίνιο	mm 15
Βάρος	kg 2,36
(με λείζερ)	kg 2,66

Στάθμη ηχητικής πίεσης, μετρημένης σύμφωνα με το πρότυπο EN 60745:

Ηχητική πίεση (L_{pA}) 87 dB(A), αβεβαιότητα (K) 3 dB(A)

Ηχητική ισχύς (L_{WA}) 98 dB(A), αβεβαιότητα (K) 3 dB(A)

Οι συνολικές τιμές δόνησης (διανυσματικό άθροισμα τριών αξόνων) καθορίστηκαν σύμφωνα με το πρότυπο EN60745:

Κοπή ξύλου ($a_{h, CW}$) 10,5 m/s², αβεβαιότητα (K) 1,5 m/s²

Κοπή μετάλλου ($a_{h, CM}$) 14,5 m/s²,
αβεβαιότητα (K) 1,5 m/s²

Δήλωση συμμόρφωσης με την Ευρωπαϊκή Κοινότητα

ΟΔΗΓΙΑ ΠΕΡΙ ΜΗΧΑΝΗΜΑΤΩΝ



KS900E, KS900EL

Η Black & Decker δηλώνει ότι αυτά τα προϊόντα που περιγράφονται στα "τεχνικά χαρακτηριστικά" συμμορφώνονται με:
2006/42/EK, EN60745-1, EN60745-2-11

Για περισσότερες πληροφορίες, παρακαλούμε επικοινωνήστε με την Black & Decker στην παρακάτω διεύθυνση ή ανατρέξτε στο πίσω μέρος του εγχειριδίου.

Ο κάτωθι υπογεγραμμένος είναι υπεύθυνος για την κατάρτιση του τεχνικού φακέλου και δηλώνει τα παρόντα εκ μέρους της Black & Decker.

Kevin Hewitt
Vice-President Global Engineering
Black & Decker Europe,
210 Bath Road, Slough,
Berkshire, SL1 3YD
Ηνωμένο Βασίλειο
14-02-2011

Εγγύηση

Η Black & Decker είναι σίγουρη για την ποιότητα των προϊόντων της και παρέχει σημαντική εγγύηση. Η παρούσα γραπτή εγγύηση αποτελεί πρόσθετο δικαίωμά σας και δεν ζημιώνει τα νόμιμα δικαιώματά σας. Η εγγύηση ισχύει εντός της επικράτειας των Κρατών Μελών της Ευρωπαϊκής Ένωσης και της Ευρωπαϊκής Ζώνης Ελευθέρων Συναλλαγών.

Σε περίπτωση που κάποιο προϊόν της Black & Decker παρουσιάσει βλάβη εξαιτίας ελαττωματικών υλικών, ποιότητας εργασίας ή έλλειψης συμφωνίας με τις προδιαγραφές εντός 24 μηνών από την ημερομηνία αγοράς, η Black & Decker εγγυάται την αντικατάσταση των ελαττωματικών τμημάτων, την επισκευή προϊόντων που έχουν υποστεί εύλογη φθορά λόγω χρήσης ή την αντικατάσταση των προϊόντων προκειμένου να εξασφαλιστεί την ελάχιστη ενόχληση στους πελάτες της, εκτός εάν:

Το προϊόν έχει χρησιμοποιηθεί σε εργασιακό, επαγγελματικό περιβάλλον ή αν έχει ενοικιαστεί. Έχει γίνει εσφαλμένη χρήση του προϊόντος ή έχει παραμεληθεί.

Το προϊόν έχει υποστεί βλάβη από άλλα αντικείμενα, από ουσίες ή λόγω ατυχήματος.

Έχει γίνει προσπάθεια επισκευής από μη εξουσιοδοτημένα κέντρα επισκευών ή από προσωπικό που δεν ανήκει στο προσωπικό της Black & Decker.

Για να ισχύσει η εγγύηση, πρέπει να υποβάλετε απόδειξη αγοράς στον πωλητή ή το εξουσιοδοτημένο κέντρο επισκευών. Ενημερωθείτε για το πλησιέστερο εξουσιοδοτημένο κέντρο επισκευών της περιοχής σας, επικοινωνώντας με τα γραφεία της Black & Decker στη διεύθυνση που αναγράφεται στο εγχειρίδιο. Επίσης, για να πληροφορηθείτε για τα εξουσιοδοτημένα κέντρα επισκευών της Black & Decker και τους αρμόδιους των υπηρεσιών που παρέχονται μετά την πώληση, μπορείτε να ανατρέξετε στο Διαδίκτυο, στη διεύθυνση:

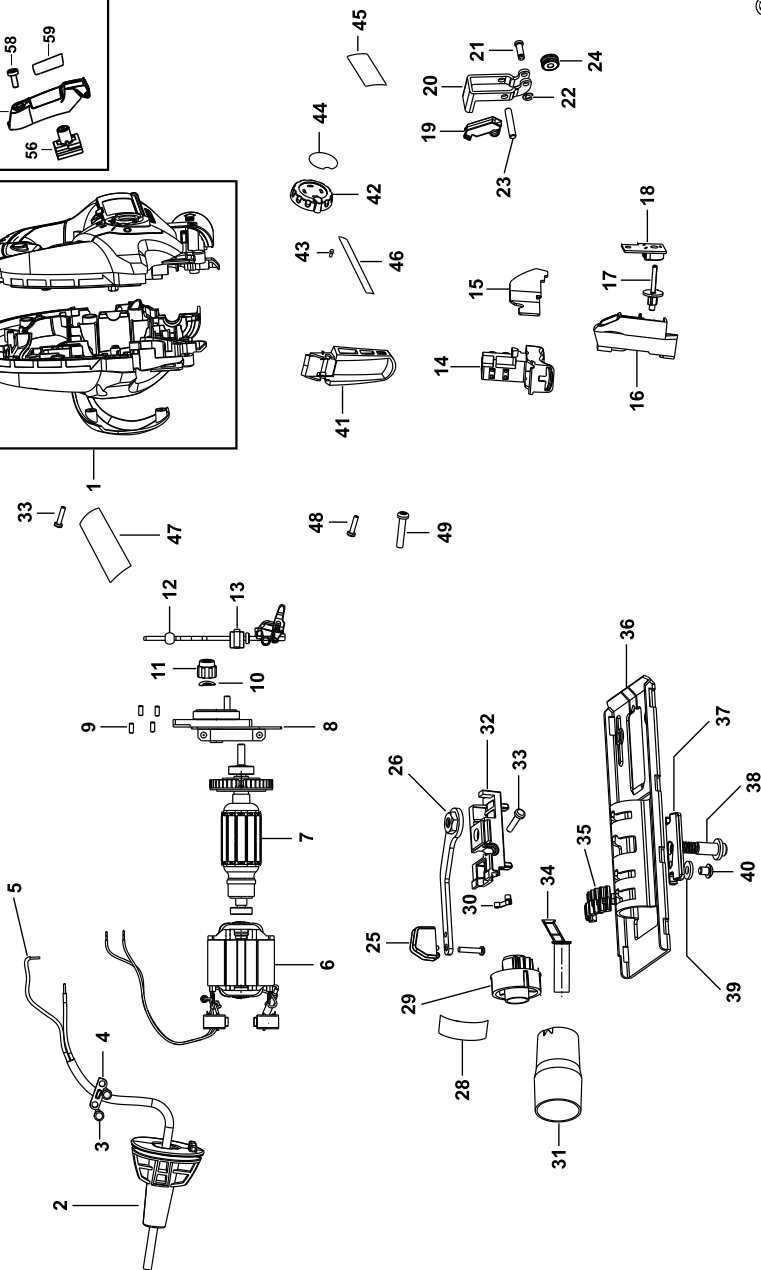
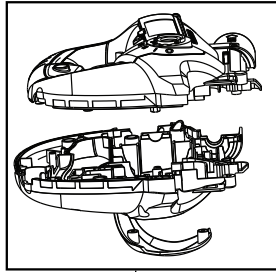
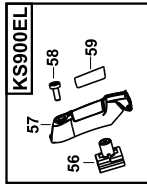
www.2helpU.com

Παρακαλούμε επισκεφθείτε την ιστοσελίδα μας www.blackanddecker.eu να καταχωρήσετε το νέο σας προϊόν Black & Decker και για να ενημερώνεστε για τα νέα προϊόντα και τις ειδικές προσφορές. Περισσότερες πληροφορίες σχετικά με τη μάρκα Black & Decker και τη σειρά των προϊόντων μας θα βρείτε στη διεύθυνση www.blackanddecker.eu



KS900E - KS900EL

TYP.
1



ENGLISH

Do not forget to register your product!
www.blackanddecker.co.uk/productregistration

Register your product online at **www.blackanddecker.co.uk/productregistration** or send your name, surname and product code to Black & Decker in your country.

DEUTSCH

Vergessen Sie nicht, Ihr Produkt registrieren zu lassen!
www.blackanddecker.de/productregistration

Lassen Sie Ihr Produkt unter **www.blackanddecker.de/productregistration** online registrieren oder schicken Sie Ihren Nachnamen, Vornamen und den Produktcode an Black & Decker in Ihrem Land.

FRANÇAIS

N'oubliez pas d'enregistrer votre produit !
www.blackanddecker.fr/productregistration

Enregistrez votre produit en ligne sur **www.blackanddecker.fr/productregistration** ou envoyez vos nom, prénom et code produit à Black & Decker dans votre pays.

ITALIANO

Non dimenticate di registrare il prodotto!
www.blackanddecker.it/productregistration

Registrate il prodotto online su **www.blackanddecker.it/productregistration** o inviate nome, cognome e codice del prodotto al centro Black & Decker del vostro paese.

NEDERLANDS

Vergeet niet uw product te registreren!
www.blackanddecker.nl/productregistration

U kunt uw product online registreren op **www.blackanddecker.nl/productregistration** of u kunt uw voornaam, achternaam en productcode opsturen naar Black & Decker in uw land.

ESPAÑOL

¡No olvide registrar su producto!
www.blackanddecker.es/productregistration

Registre su producto on-line en **www.blackanddecker.es/productregistration** o envíe su nombre, apellidos y código de producto a Black & Decker en su país.

PORTUGUÊS

Não se esqueça de registrar o seu produto!
www.blackanddecker.pt/productregistration

Registe o seu produto online em **www.blackanddecker.pt/productregistration** ou envie o seu nome, apelido e código do produto para a Black & Decker no seu país.

SVENSKA

Glöm inte att registrera produkten!
www.blackanddecker.se/productregistration

Registrera produkten online på **www.blackanddecker.se/productregistration** eller skicka namn och produktkod till Black & Decker i landet du bor i.

NORSK

Ikke glem å registrere produktet ditt!
www.blackanddecker.no/productregistration

Registrer produktet ditt online på **www.blackanddecker.no/productregistration**, eller send ditt navn, etternavn og produktkode til Black & Decker i ditt eget land.

DANSK

Glem ikke at registrere dit produkt!
www.blackanddecker.dk/productregistration

Registrer dit produkt på internettet på: **www.blackanddecker.dk/productregistration** eller send dit navn, efternavn og produktkode til Black & Decker i dit eget land.

SUOMI

Muistathan rekisteröidä tuotteesi!
www.blackanddecker.fi/productregistration

Rekisteröi tuotteesi verkossa osoitteessa **www.blackanddecker.fi/productregistration** tai lähetä etunimesi, sukunimesi ja tuotekoodi oman maasi Black & Decker -edustajalle.

ΕΛΛΗΝΙΚΑ

Μην ξεχάσετε να καταχωρίσετε το προϊόν σας!
www.blackanddecker.gr/productregistration

Καταχωρίστε το προϊόν σας σε σύνδεση στη σελίδα **www.blackanddecker.gr/productregistration** ή στείλτε το όνομα, επίθετο σας και τον κωδικό πριονωτός στη Black & Decker στη χώρα σας.

België/Belgique	Black & Decker (Belgium) N.V. Nieuwlandlaan 321 3200 Aarschot	Tel. Fax	016 68 91 00 016 68 91 11
Danmark	Black & Decker Sluseholmen 2-4, 2450 København SV Internet: www.blackanddecker.dk	Tel. Fax	70 20 15 10 70 22 49 10
Deutschland	Black & Decker GmbH Black & Decker Str. 40, D - 65510 Idstein	Tel. Fax	06126/21 - 0 06126/21 29 80
Ελλάδα	Black & Decker (Ελλάς) A.E. Στράβωνος 7 & Λεωφ. Βουλιαγμένης 159 166 74 Γλυφάδα - Αθήνα	Τηλ. Φαξ www.blackanddecker.eu	210 8981616 210 8983285
España	Black & Decker Ibérica, S.C.A. Parc de Negocis "Mas Blau" Edificio Muntadas, c/Bergadá, 1, Of. A6 08820 El Prat de Llobregat (Barcelona)	Tel. Fax	934 797 400 934 797 419
France	Black & Decker (France) S.A.S. B.P. 21, 69571 Dardilly Cédex	Tel. Fax	04 72 20 39 20 04 72 20 39 00
Helvetia	ROFO AG Gewerbezone Seeblick 3213 Kleinbösingen	Tel. Fax	026-6749391 026-6749394
Italia	Black & Decker Italia SpA Viale Elvezia 2 20052 Monza (MI)	Tel. Fax Numero verde	039-23871 039-2387592/2387594 800-213935
Nederland	Black & Decker Benelux Joulehof 12, 4622 RG Bergen op Zoom	Tel. Fax	0164 - 283000 0164 - 283100
Norge	Black & Decker (Norge) A/S Postboks 4814, Nydalen, 0422 Oslo Internet: www.blackanddecker.no	Tlf. Fax	22 90 99 00 22 90 99 01
Österreich	Black & Decker Vertriebsges.m.b.H Oberlaaerstraße 246, A1100 Wien	Tel. Fax	01 66116-0 01 66116-14
Portugal	Black & Decker Rua Egas Moniz 173 S. João do Estoril 2766-651 Estoril	Tel. Fax	214667500 214667580
Suomi	Black & Decker Oy Keilasatama 3, 02150 Espoo Black & Decker Oy, Kägelhamnen 3, 02150 Esbo	Puh. Faksi Tel. Fax	010 400 430 (09) 2510 7100 010 400 430 (09) 2510 7100
Sverige	Black & Decker AB Fabriksg. 7, 412 50 Göteborg	Tel. Fax	031-68 60 60 031-68 60 80
United Kingdom	Black & Decker 210 Bath Road Slough, Berkshire SL1 3YD	Tel. Fax Helpline	01753 511234 01753 551155 01753 574277
Middle East & Africa	Black & Decker (Overseas) A.G. PB 5420, Dubai, United Arab Emirates	Tel. Fax	+971 4 2826464 +971 4 2826466