

Інструмент не  
призначений для  
професійного  
використання.

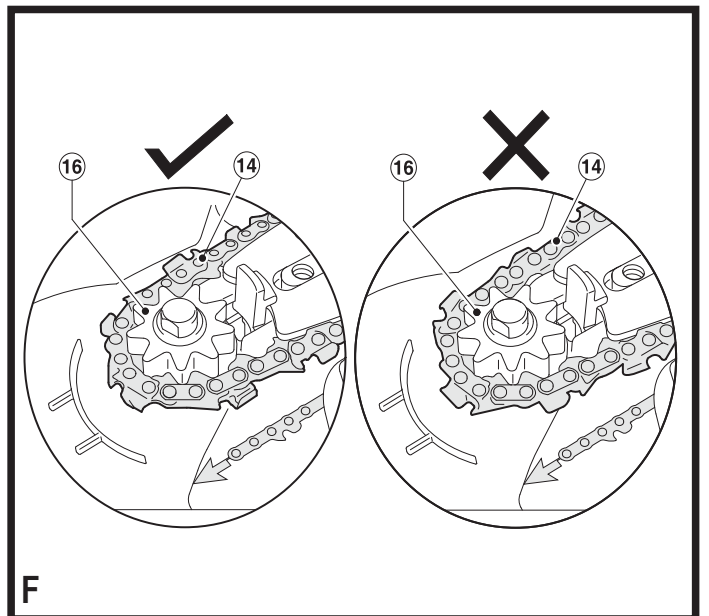
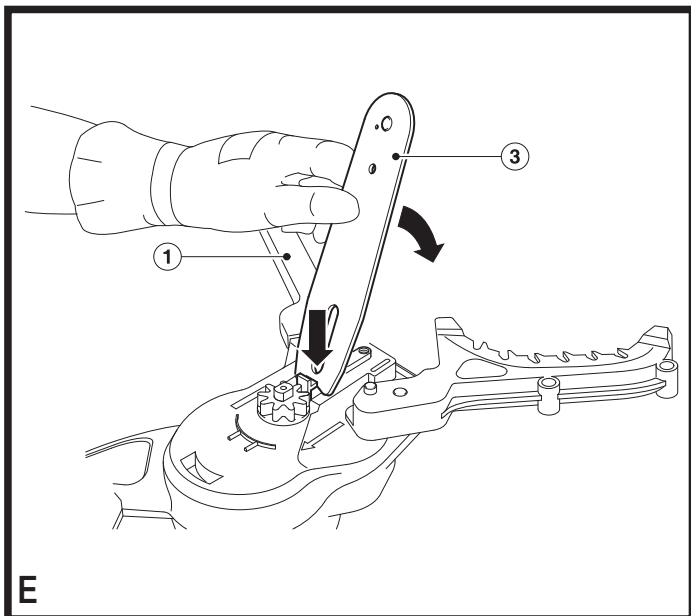
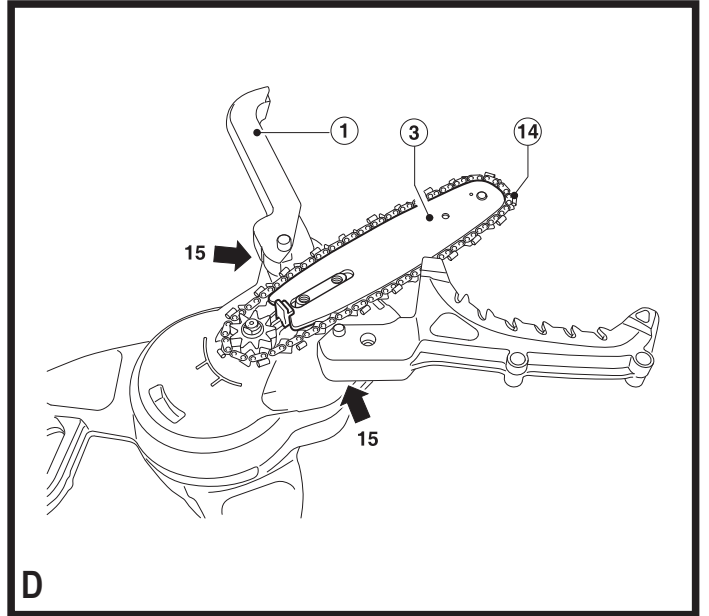
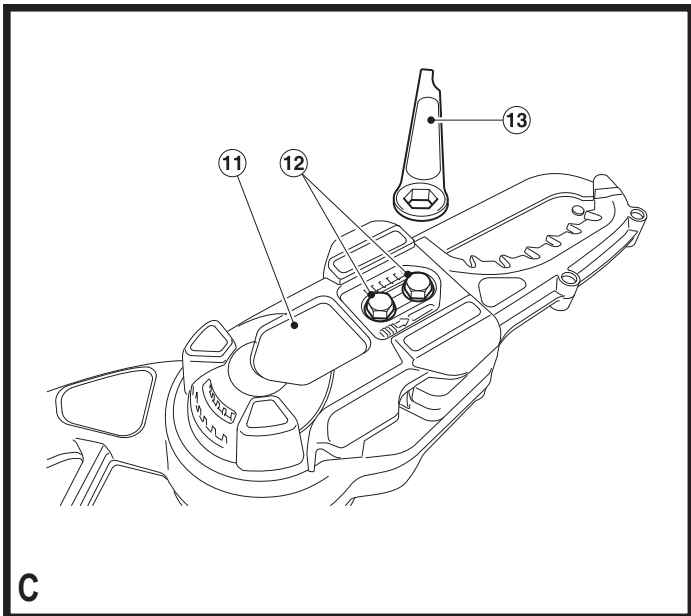
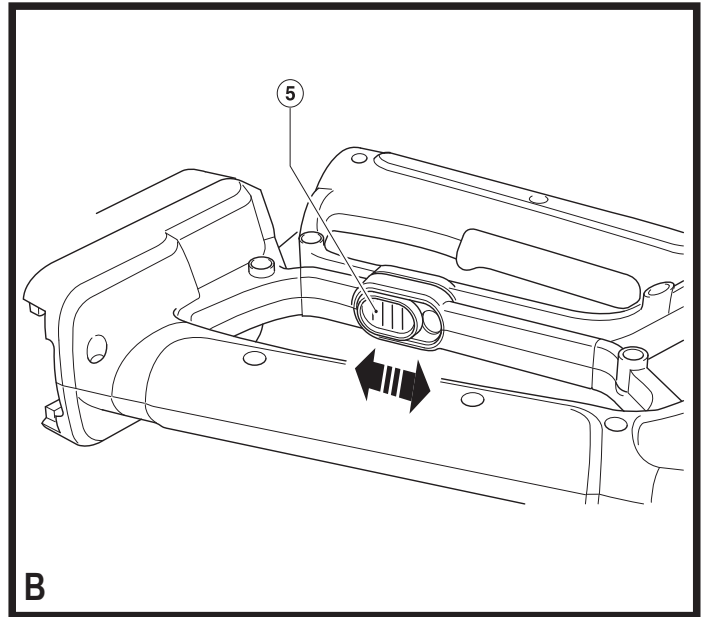
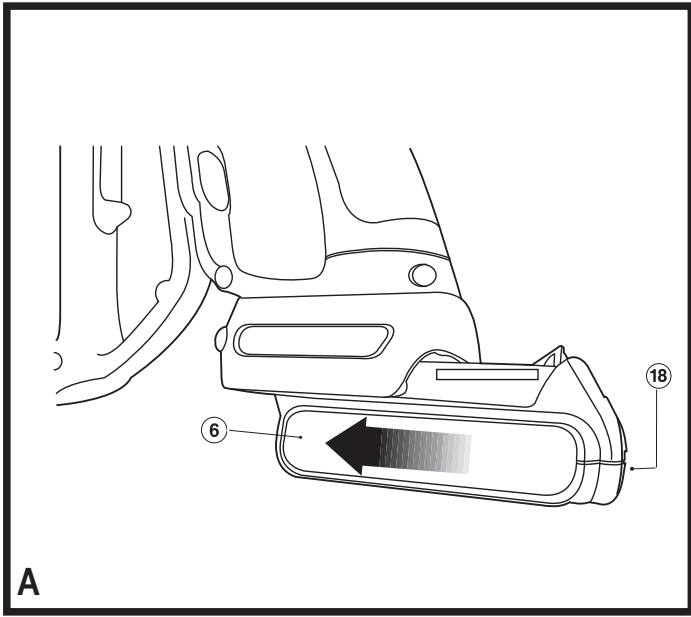
503913 - 67 UA

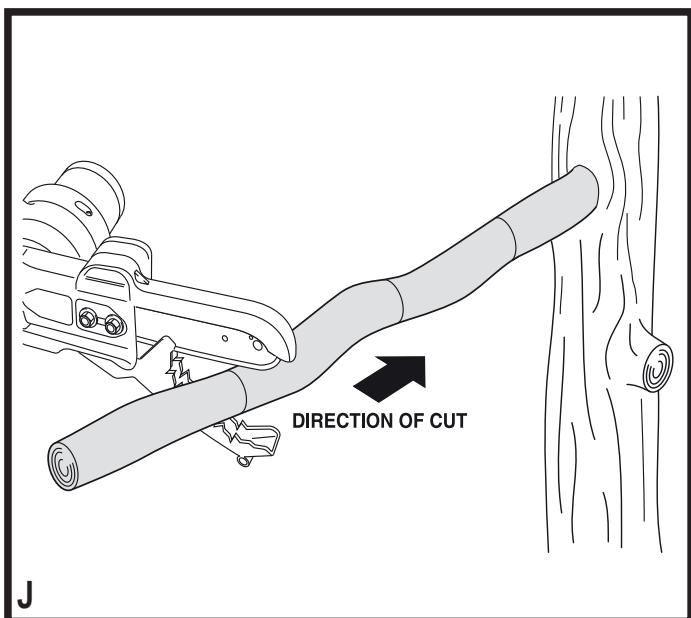
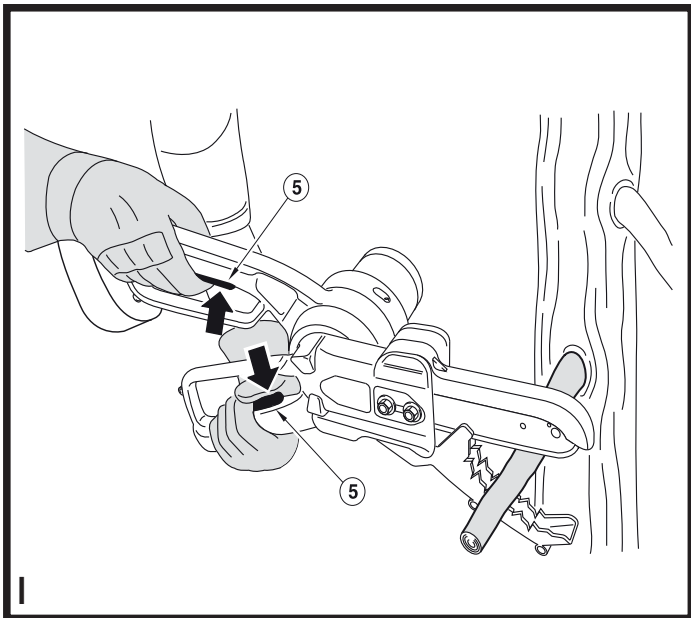
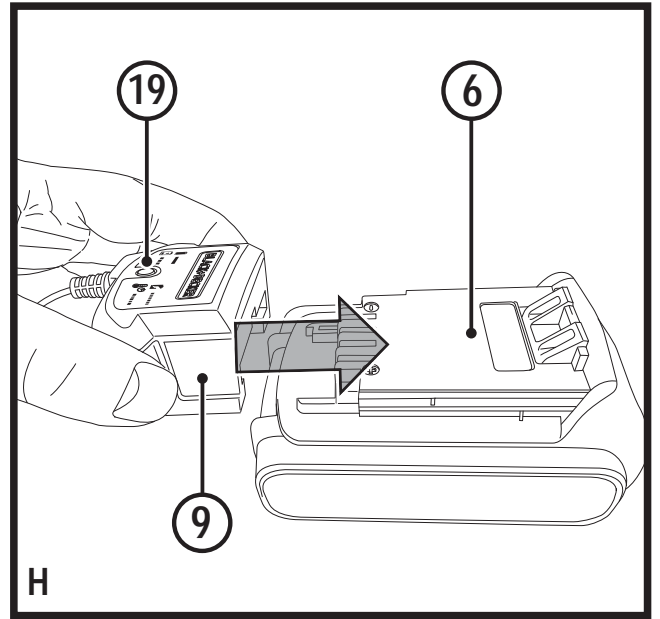
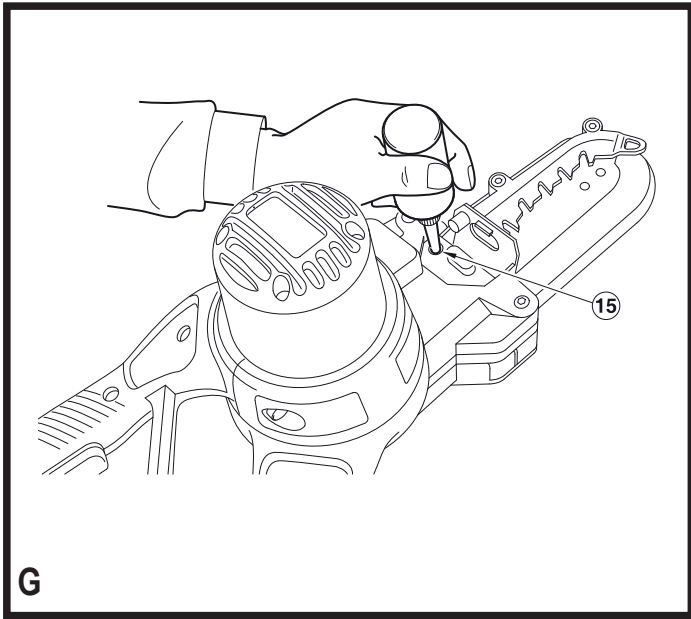
Переклад оригінальних інструкцій

[www.blackanddecker.eu](http://www.blackanddecker.eu)

**GKC1000L**  
**GKC1000LB**

Англійська (оригінальні інструкції)	5
Українська (переклад оригінальних інструкцій)	13





## Intended use

Your BLACK+DECKER™, GKC1000L, GKC1000LB Alligator™ Lopper has been designed for trimming the branches of trees, cutting fallen branches and cutting small logs 25 mm to 100 mm in diameter while the operator is standing on the ground. This tool is intended for consumer use only.

## Safety instructions

### General power tool safety warnings



**Warning! Read all safety warnings and all instructions.** Failure to follow the warnings and instructions listed below may result in electric shock, fire and/or serious injury.

### Save all warnings and instructions for future reference.

The term "power tool" in all of the warnings listed below refers to your mains operated (corded) power tool or battery operated (cordless) power tool.

#### 1. Work area safety

- a. **Keep work area clean and well lit.** Cluttered or dark areas invite accidents.
- b. **Do not operate power tools in explosive atmospheres, such as in the presence of flammable liquids, gases or dust.** Power tools create sparks which may ignite the dust or fumes.
- c. **Keep children and bystanders away while operating a power tool.** Distractions can cause you to lose control.

#### 2. Electrical safety

- a. **Power tool plugs must match the outlet. Never modify the plug in any way. Do not use any adapter plugs with earthed (grounded) power tools.** Unmodified plugs and matching outlets will reduce risk of electric shock.
- b. **Avoid body contact with earthed or grounded surfaces such as pipes, radiators, ranges and refrigerators.** There is an increased risk of electric shock if your body is earthed or grounded.
- c. **Do not expose power tools to rain or wet conditions.** Water entering a power tool will increase the risk of electric shock.
- d. **Do not abuse the cord. Never use the cord for carrying, pulling or unplugging the power tool. Keep cord away from heat, oil, sharp edges or moving parts.** Damaged or entangled cords increase the risk of electric shock.
- e. **When operating a power tool outdoors, use an extension cord suitable for outdoor use.** Use of a cord suitable for outdoor use reduces the risk of electric shock.
- f. **If operating a power tool in a damp location is unavoidable, use a residual current device (RCD) protected supply.** Use of an RCD reduces the risk of electric shock.

#### 3. Personal safety

- a. **Stay alert, watch what you are doing and use common sense when operating a power tool. Do not use a power tool while you are tired or under the influence of drugs, alcohol or medication.** A moment of inattention while operating power tools may result in serious personal injury.
- b. **Use personal protective equipment. Always wear eye protection.** Protective equipment such as dust mask, non-skid safety shoes, hard hat, or hearing protection used for appropriate conditions will reduce personal injuries.
- c. **Prevent unintentional starting. Ensure the switch is in the off-position before connecting to power source and/or battery pack, picking up or carrying the tool.** Carrying power tools with your finger on the switch or energising power tools that have the switch on invites accidents.
- d. **Remove any adjusting key or wrench before turning the power tool on.** A wrench or a key left attached to a rotating part of the power tool may result in personal injury.
- e. **Do not overreach. Keep proper footing and balance at all times.** This enables better control of the power tool in unexpected situations.
- f. **Dress properly. Do not wear loose clothing or jewellery. Keep your hair, clothing and gloves away from moving parts.** Loose clothes, jewellery or long hair can be caught in moving parts.
- g. **If devices are provided for the connection of dust extraction and collection facilities, ensure these are connected and properly used.** Use of dust collection can reduce dust-related hazards.
- h. **Do not let familiarity gained from frequent use of tools allow you to become complacent and ignore tool safety principles.** A careless action can cause severe injury within a fraction of a second.

#### 4. Power tool use and care

- a. **Do not force the power tool. Use the correct power tool for your application.** The correct power tool will do the job better and safer at the rate for which it was designed.
- b. **Do not use the power tool if the switch does not turn it on and off.** Any power tool that cannot be controlled with the switch is dangerous and must be repaired.
- c. **Disconnect the plug from the power source and/or the battery pack from the power tool before making any adjustments, changing accessories, or storing power tools.** Such preventive safety measures reduce the risk of starting the power tool accidentally.
- d. **Store idle power tools out of the reach of children and do not allow persons unfamiliar with the power tool or**

these instructions to operate the power tool. Power tools are dangerous in the hands of untrained users.

- e. **Maintain power tools. Check for misalignment or binding of moving parts, breakage of parts and any other condition that may affect the power tools operation. If damaged, have the power tool repaired before use.** Many accidents are caused by poorly maintained power tools.
  - f. **Keep cutting tools sharp and clean.** Properly maintained cutting tools with sharp cutting edges are less likely to bind and are easier to control.
  - g. **Use the power tool, accessories and tool bits etc. in accordance with these instructions, taking into account the working conditions and the work to be performed.** Use of the power tool for operations different from those intended could result in a hazardous situation.
  - h. **Keep handles and grasping surfaces dry, clean and free from oil and grease.** Slippery handles and grasping surfaces do not allow for safe handling and control of the tool in unexpected situations.
5. **Battery tool use and care**
- a. **Recharge only with the charger specified by the manufacturer.** A charger that is suitable for one type of battery pack may create a risk of fire when used with another battery pack.
  - b. **Use power tools only with specifically designated battery packs.** Use of any other battery packs may create a risk of injury and fire.
  - c. **When battery pack is not in use, keep it away from other metal objects, like paper clips, coins, keys, nails, screws, or other small metal objects, that can make a connection from one terminal to another.** Shorting the battery terminals together may cause burns or a fire.
  - d. **Under abusive conditions, liquid may be ejected from the battery; avoid contact. If contact accidentally occurs, flush with water. If liquid contacts eyes, additionally seek medical help.** Liquid ejected from the battery may cause irritation or burns.
  - e. **Do not use a battery pack or tool that is damaged or modified.** Damaged or modified batteries may exhibit unpredictable behaviour resulting in fire, explosion or risk of injury.
  - f. **Do not expose a battery pack or tool to fire or excessive temperature.** Exposure to fire or temperature above 130°C may cause explosion.
  - g. **Follow all charging instructions and do not charge the battery pack or tool outside the temperature range specified in the instructions.** Charging improperly or at temperatures outside the specified range may damage the battery and increase the risk of fire.

## 6. Service

- a. **Follow all charging instructions and do not charge the battery pack or tool outside the temperature range specified in the instructions.** Charging improperly or at temperatures outside the specified range may damage the battery and increase the risk of fire.
- b. **Never service damaged battery packs.** Service of battery packs should only be performed by the manufacturer or authorised service providers.

## Additional power tool safety warnings



**Warning!** Additional safety warnings for Alligator™ Lopper.

**Warning!** Never use the tool above shoulder height. Always position yourself out of the path of falling branches and debris.

**Warning!** Do not use this tool to fell trees.

- ◆ **Hold power tool by insulated gripping surfaces when performing an operation where the cutting tool may contact hidden wiring or its own cord.** Contact with a "live" wire will also make exposed metal parts of the power tool "live" and give the operator an electric shock.
- ◆ **Keep all parts of the body and clothing away from the saw chain at all times.** Before you start the tool, make sure the saw chain is not contacting anything. A moment of inattention while operating the tool may cause entanglement of your clothing or body with the saw chain. Hold the tool in front of you and be aware of the saw chain position especially when cutting branches near the ground.
- ◆ **Pre-plan a safe exit from falling branches and debris. Ensure the exit route is clear of obstacles that would prevent or hinder movement.** Remember wet grass and freshly cut bark is slippery.
- ◆ **Be aware of the direction that a branch may fall.** Consider all conditions that may affect the direction of fall, including:
  - ◆ The intended direction of fall.
  - ◆ The natural lean of the branch.
  - ◆ Any unusual heavy limb structure or decay.
  - ◆ Surrounding trees and obstacles including overhead lines.
  - ◆ The wind speed and direction.
- ◆ **The safe distance between a branch to be felled and bystanders, buildings and other objects is at least 2 1/2 times the length of the branch.** Any bystander, building or object within this distance is at risk from being struck by the falling branch.
- ◆ **When cutting a limb that is under tension be alert for spring back.** When the tension in the wood fibres is released the spring loaded limb may strike the operator and/or throw the tool out of control.

- ◆ Always wear suitable safety equipment such as non-skid safety shoes, hard hat, goggles, ear protection and gloves when operating the tool.
- ◆ Ensure someone is nearby (but at a safe distance) in case of an accident.
- ◆ Do not attempt to operate the tool when in a tree, on a ladder or standing on any other unstable support.
- ◆ Keep proper footing and balance at all times.
- ◆ Hold the tool firmly with both hands when the motor is running.
- ◆ Keep handles dry, clean, and free from oil and grease. Greasy, oily handles are slippery causing loss of control.
- ◆ Do not let the moving chain contact any object at the tip of the guide bar.
- ◆ Keep your saw chain properly tensioned. Check tension at regular intervals with the motor stopped and cord disconnected.
- ◆ Begin and continue cutting only with the chain moving at full speed.
- ◆ Watch for shifting branches or other forces that could close a cut and pinch or fall into the chain.
- ◆ Use extreme caution when re-entering a previous cut. Engage spikes on lower jaw into wood and allow the chain to reach full speed before proceeding with cut.
- ◆ Use of this tool for operation different to those intended could result in hazardous situations. Cut wood only. Don't use this tool for purposes not intended - for example - Don't use tool for cutting plastic, masonry or non wood building materials.
- ◆ If any debris gets caught with the guard or tool discontinue use, remove the battery and clear debris.
- ◆ Worn chains and chain guide bars should be replaced.
- ◆ Only use replacement bars and chains specified by the manufacturer.

## Vibration

The declared vibration emission values stated in the technical data and the declaration of conformity have been measured in accordance with a standard test method provided by EN 60745 and may be used for comparing one tool with another. The declared vibration emission value may also be used in a preliminary assessment of exposure.

**Warning!** The vibration emission value during actual use of the power tool can differ from the declared value depending on the ways in which the tool is used. The vibration level may increase above the level stated.

When assessing vibration exposure to determine safety measures required by 2002/44/EC to protect persons regularly using power tools in employment, an estimation of vibration exposure should consider, the actual conditions of use and the way the tool is used, including taking account of all parts of the operating cycle such as the times when the tool is switched off and when it is running idle in addition to the trigger time.

## Labels on tool

The following pictograms are shown on the tool along with the date code:



**Warning!** To reduce the risk of injury, the user must read the instruction manual.



Do not use your saw in wet conditions or expose it to rain.



Always wear eye protection.



Always wear ear protection.



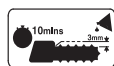
Beware of falling objects



Keep bystanders away



Do not use ladders



To ensure continued safe operation, check the chain tension as described in this manual after every 10 minutes of use, and adjust back to a clearance of 3 mm as required. Oil the chain after every 10 minutes of use.

## Residual risks

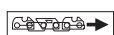
Additional residual risks may arise when using the tool which may not be included in the enclosed safety warnings. These risks can arise from misuse, prolonged use etc.

Even with the application of the relevant safety regulations and the implementation of safety devices, certain residual risks can not be avoided. These include:

- ◆ Injuries caused by touching any rotating/moving parts.
- ◆ Injuries caused when changing any parts, blades or accessories.
- ◆ Injuries caused by prolonged use of a tool. When using any tool for prolonged periods ensure you take regular breaks.
- ◆ Impairment of hearing.
- ◆ Health hazards caused by breathing dust developed when using your tool (example:- working with wood, especially oak, beech and MDF.)



**Warning!** Do not touch saw chain at the chipping ejection point



Direction of rotation of the chain.



Directive 2000/14/EC guaranteed sound power.

## Additional safety instructions for batteries and chargers (not included with GKC1000LB)

### Batteries (not included with GKC1000LB)

- ◆ Never attempt to open for any reason.
- ◆ Do not expose the battery to water.
- ◆ Do not expose the battery to heat.
- ◆ Do not store in locations where the temperature may exceed 40°C.
- ◆ Charge only at ambient temperatures between 10°C and 40°C.
- ◆ Charge only using the charger provided with the appliance/tool. Using the wrong charger could result in an electric shock or overheating of the battery.
- ◆ When disposing of batteries, follow the instructions given in the section "Protecting the environment".
- ◆ Do not damage/deform the battery pack either by puncture or impact, as this may create a risk of injury and fire.
- ◆ Do not charge damaged batteries.

**Under extreme conditions, battery leakage may occur.**

**When you notice liquid on the batteries, carefully wipe the liquid off using a cloth. Avoid skin contact.**

**In case of skin or eye contact, follow the instructions below.**

**Warning! The battery fluid may cause personal injury or damage to property. In case of skin contact, immediately rinse with water. If redness, pain or irritation occurs seek medical attention. In case of eye contact, rinse immediately with clean water and seek medical attention.**

### Chargers (not included with GKC1000LB)

**Warning! Your charger has been designed for a specific voltage. Always check that the mains voltage corresponds to the voltage on the rating plate.**

**Warning! Never attempt to replace the charger unit with a regular mains plug.**

- ◆ Use your BLACK+DECKER charger only to charge the battery in the appliance/tool with which it was supplied. Other batteries could burst, causing personal injury and damage.
- ◆ Never attempt to charge non-rechargeable batteries.
- ◆ If the supply cord is damaged, it must be replaced by the manufacturer or an authorised BLACK+DECKER Service Centre in order to avoid a hazard.
- ◆ Do not expose the charger to water.

- ◆ Do not open the charger.
- ◆ Do not probe the charger.
- ◆ The charger must be placed in a well ventilated area when charging.

### Labels on the charger (not included with GKC1000LB)

The following symbols are found on your charger:



The charger is intended for indoor use only.



Read the instruction manual before use.

### Electrical safety



Your charger is double insulated; therefore no earth wire is required. Always check that the mains voltage corresponds to the voltage on the rating plate. Never attempt to replace the charger unit with a regular mains plug.

- ◆ If the supply cord is damaged, it must be replaced by the manufacturer or an authorised BLACK+DECKER Service Centre in order to avoid a hazard.

### Features

1. Top jaw
2. Lower jaw
3. Chain guide bar
4. Oiling cover
5. Latch
6. Battery (not included with GKC1000LB)
7. On/off switch actuators
8. Chipping ejection point
9. Charger (not included with GKC1000LB)

### Assembly (battery and charger not included with GKC1000LB)

**Warning!** Before assembly, remove the battery (6) from the tool.

#### Fitting and removing the battery (fig. A)

- ◆ To fit the battery (6), line it up with the receptacle on the tool. Slide the battery (6) into the receptacle and push until the battery (6) snaps into place.
- ◆ To remove the battery (6), push the release button (18) while at the same time pulling the battery (6) out of the receptacle.

#### Opening the handles (fig. B)

- ◆ To open the handles, slide the latch (5) backwards and pull the handles apart.
- ◆ After use, close the handles and slide the latch (5) forward to the lock position. The handles should be locked during transportation and storage.



### Chain tension adjustment (fig. C)

**Warning!** Before adjusting the chain tension or any other adjustments, make sure that the tool is switched off and the battery removed.

**Warning!** The chain guide bar and the saw chain may be hot after use. Allow to cool before adjustment.

The product comes ready assembled. However we recommend that you check the tension of the saw chain (14), and chain access cover retention bolts before use and adjust if required.

### Checking and adjusting the saw chain tension (fig. C)

To tension the saw chain (14) slacken the two chain cover retention bolts (12) with the spanner (13) and the chain tensioning device will push the chain guide bar (3) out, setting the correct tension. Retighten the two retention bolts (12) securely.

Check the correct tension has been set by lightly pulling on the saw chain (14). The tension is correct when the saw chain snaps back after being pulled 3 mm away from the guide bar. There should be no "sag" between the chain guide bar (3) and the saw chain (14) on the underside.

**Note:** Do not over tension the saw chain as this will lead to excessive wear and reduce the life of the bar and saw chain. It will also lead to reduced product performance.

**Note:** With first use and when the saw chain is new, check tension frequently as a new saw chain stretches slightly.

### Replacing the saw chain and chain guide bar

After prolonged use the saw chain (14) and /or chain guide bar (3) may need replacing. Ensure only Black & Decker recommended replacements are used.

### Removing the saw chain and chain guide bar (fig. C & D)



Always wear protective gloves when installing or removing the saw chain (8). The saw chain is sharp and can cut you when it is not running.

**Warning!** The chain guide bar and the saw chain may be hot after use. Allow to cool before replacing.

- ◆ Place the tool on a firm surface.
- ◆ Rotate the two retention bolts (12) counter clockwise with the spanner (13) provided and remove completely.
- ◆ Remove the chain access cover (11).
- ◆ Slide the latch (5) to the unlock position, open the handles and pull back the top jaw (1).
- ◆ Pull back chain guide bar (3) and then lift the saw chain (14) out of the groove in the guide bar. The saw chain can then be removed from the unit.
- ◆ The chain guide bar (3) can then be angled up and removed.

### Assembling the chain guide bar and saw chain (fig. E & F)

**Warning!** Always wear protective gloves when installing or removing the saw chain. The saw chain is sharp and can cut you when it is not running.

- ◆ Ensure the operation is carried out on a firm surface.
- ◆ Slide the latch (5) to the unlock position, open the handles and pull back the top jaw (1).
- ◆ Insert the chain guide bar (3) into the space between the chain tensioner and align with the chain guide bar locator, angle the chain guide bar (3) down ensuring it is correctly located.
- ◆ Place the saw chain (14) around the front of the chain guide bar (3).
- ◆ Pull the chain guide bar (3) and the saw chain (14) back, engaging it in the groove in the chain guide bar (3) and then over the sprocket (16) positioning teeth in the correct position on the sprocket.
- ◆ Replace the chain access cover (11) and the two retention bolts (12) tightening securely.
- ◆ Ensure the saw chain (14) is fitted correctly with reference to the markings on the tool.

### Oiling (fig. G)

- ◆ Before first use and every ten minutes of use you must oil the product with the correct chain oil. (Cat No A6027) Open the oiling cover (4) and insert the bottle into the oil filling hole (15), apply pressure to the bottle once to dispense oil.
- ◆ This should be adequate for about 10 minutes of cutting depending upon cutting speed and type of wood.

The hole feeds the oil through to the saw chain on to the chain guide bar (3) and an excessive amount of oil applied to the unit could mean the oil drips from the unit around the jaw area. This is normal and is nothing to be concerned about.

### Use

#### Charging the battery (fig. H) (not included with GKC1000LB)

**Warning!** Do not charge the battery at ambient temperatures below 10°C or above 40°C. Recommended charging temperature is approximately 24°C.

**Note: The charger will not charge a battery pack if the cell temperature is below approximately 0°C or above 40°C. The battery should be left in the charger and the charger will begin to charge automatically when the cell temperature warms up or cools down.**

- ◆ To charge the battery (6), insert it into the charger (9). The battery will only fit into the charger one way. Do not force.
- ◆ Make sure that the battery pack is fully seated in the charger (9).

- ◆ Plug in the charger (9) and switch on at the mains.
- ◆ The charging indicator (19) will flash continuously (slowly).
- ◆ The charge is complete when the charging indicator (19) lights green continuously.
- ◆ The LED will change to flashing green (charging) state as the charger occasionally tops up the battery charge.
- ◆ The charging indicator (19) will be lit as long as the battery pack is connected to the plugged in charger (9).

Charge discharged batteries within 1 week. Battery life will be greatly diminished if stored in a discharged state.

### Leaving the battery in the charger

The charger and battery pack can be left connected with the LED glowing indefinitely. The charger will keep the battery pack fresh and fully charged.

### Charger diagnostics

If the charger detects a weak or damaged battery, the charging indicator will flash red at a fast rate. Proceed as follows:

- ◆ Re-insert the battery (6).
- ◆ If the charging indicator (19) continues flashing red at a fast rate, use a different battery to determine if the charging process works properly.
- ◆ If the replaced battery charges correctly, the original battery is defective and should be returned to a service centre for recycling.
- ◆ If the new battery gives the same indication as the original battery, take the charger to be tested at an authorised services centre.

**Note: It may take as long as 60 minutes to determine that the battery is defective.**

**If the battery is too hot or too cold, the LED will alternately blink red, fast and slow, one flash at each speed and repeat.**

### Preparation

- ◆ Carry out regular cleaning of the unit as described in the maintenance section and in particular cleaning inside the chain access cover (11).
- ◆ The lower jaw (2) and top jaw (1) are designed to close when one of the handles is released or when the piece of branch being cut has been cut. If this does not occur, discontinue use of the tool and remove the battery from the tool.
- ◆ Check if any debris is blocking movement. To help in this process it may be necessary to remove the chain access cover (11). If on assembly the problem is still present, return the unit to an authorised service centre.

### Switching on and off

**Warning!** Never attempt to lock or fix a switch actuator in the on position.

For your safety, this tool is equipped with a double switching system. This system prevents starting the tool inadvertently.

### Switching on (fig. I)

Ensure a firm grip on the handles and then squeeze both switch actuators (7) to switch the unit on.

### Switching off (fig. I)

Release either of the switches.

**Notes:** Both switches must be activated for the product to be used.

Do not force the tool - allow it to do the work. It will do a better and safer job at the speed for which it is designed. Excessive force will stretch the saw chain.

If the saw chain (14) or guide bar (3) becomes jammed:

- ◆ Switch the tool off.
- ◆ Disconnect the battery from the tool.

Open the cut with wedges to relieve the strain on the guide bar. Do not try to wrench the saw free. Start a fresh cut.

### Trimming branches (fig. J)

Ensure that there are no local by-laws or regulations that would prohibit or control the trimming of the tree limbs.

- ◆ Make sure the tool is running at full speed before making a cut.
- ◆ Hold the tool firmly in place to avoid possible bouncing or sideways movement of the tool.
- ◆ Guide the tool using light pressure.
- ◆ Always cut down from the top. This way you will avoid pinching the saw chain (14).
- ◆ Remove branches as shown in figure I. Starting from the branch tip, reduce the branch in logical steps cutting off small sections.
- ◆ Remove the tool from the cut while it is running at full speed.

### Maintenance

Your BLACK+DECKER corded/cordless appliance/tool has been designed to operate over a long period of time with a minimum of maintenance. Continuous satisfactory operation depends upon proper tool care and regular cleaning.

**Warning!** Before performing any maintenance on corded/cordless power tools:

- ◆ Switch off and unplug the appliance/tool.
- ◆ Or switch off and remove the battery from the appliance/tool if the appliance/tool has a separate battery pack.
- ◆ Or run the battery down completely if it is integral and then switch off.
- ◆ Unplug the charger before cleaning it. Your charger does not require any maintenance apart from regular cleaning.

Regularly clean the ventilation slots in your appliance/tool/charger using a soft brush or dry cloth.

Regularly clean the motor housing using a damp cloth. Do not use any abrasive or solvent-based cleaner.

Regularly open the chuck and tap it to remove any dust from the interior (when fitted).

### Cleaning

- ◆ Regularly remove the chain access cover (11) and remove any debris that has become trapped.
- ◆ Regularly clean the ventilation slots with a clean, dry paint brush.
- ◆ To clean the tool, use only mild soap and a damp cloth. Never let any liquid get inside the tool and never immerse any part of the tool into liquid.

### Oiling

- ◆ Regularly oil the oiling points (15) as indicated in figure D.

### Transport

- ◆ Always transport the tool with the jaws closed and the latch (5) in the locked position.

### Saw Chain sharpening

If you are to get the best possible performance from the tool it is important to keep the teeth of the saw chain sharp. Guidance for this procedure is found on the sharpener package. For this purpose we recommend the purchase of BLACK+DECKER saw chain sharpening kit A6039 (available from BLACK+DECKER service agents and selected dealers).

### Replacing worn out saw chains

Replacement saw chains are available through retailers or BLACK+DECKER service agents. Always use genuine spare parts.

### Saw chain sharpness

The saw chain cutters will blunt immediately if they touch the ground or a nail while cutting.

### Saw chain tension

Regularly check the saw chain tension.

### What to do if your chainsaw needs repair

Your tool is in accordance with the relevant safety requirements. Repairs should only be carried out by a qualified person using original spare parts otherwise this may result in considerable danger to the user. We recommend you keep this user manual in a safe place.

### Storage

When the tool will not be used for several months, wipe any metal components with oil. Ideally, leave the battery (6) connected to the charger.

### Proceed as follows:

- ◆ Fully charge the battery (6).
- ◆ Remove the battery (6) from the tool.
- ◆ Store the tool and battery (6) in a secure and dry location. The storage temperature must always remain in the range of +5°C to +40°C. Place the battery (6) on a level surface.
- ◆ Before using the tool after prolonged storage, fully charge the battery (6) again.

### Protecting the environment



Separate collection. Products and batteries marked with this symbol must not be disposed of with normal household waste.

Products and batteries contain materials that can be recovered or recycled, reducing demand for raw materials. Please recycle electrical products and batteries according to local provisions. Further information is available at [www.2helpU.com](http://www.2helpU.com).

### Technical data

		GKC1000L H1	GKC1000LB H1
Voltage	V <sub>DC</sub>	18	18
Chain speed (No-load)	min <sup>-1</sup>	1.9	1.9
Maximum diameter of cut	mm	100	100
Weight	kg	3.1	3.1

Battery		BL2018	GKC1000LB not included
Voltage	V <sub>DC</sub>	18	
Capacity	Ah	2.0	
Type		Li-Ion	

Charger		906349** TYPE 1	GKC1000LB not included
Input Voltage	V <sub>AC</sub>	200–240	
Output Voltage	V <sub>dc</sub>	8–20	
Output Current	mA	1000	
Approx. charge time	h	2	

#### Guaranteed sound pressure level measured according to EN60745:

LpA (sound pressure) 85 dB(A), uncertainty (K) 3 dB(A)  
 LwA (sound power) 95 dB(A), uncertainty (K) 2.3 dB(A)  
 LwA (guaranteed sound power) 97 dB(A)

#### Vibration total values (triax vector sum) according to EN 60745:

Cutting freshly felled softwood (a<sub>h</sub>)= 4.9 m/s<sup>2</sup>, uncertainty (K) = 1.5 m/s<sup>2</sup>

## EC declaration of conformity

MACHINERY DIRECTIVE

OUTDOOR NOISE DIRECTIVE



GKC1000L, GKC1000LB – Alligator™ Lopper

Black & Decker declares that these products described under "technical data" are in compliance with:

EN 60745-1:2009 +A11:2010

These products also comply with Directive 2006/42/EC, 2014/30/EU and 2011/65/EU.

For more information, please contact Black & Decker at the following address or refer to the back of the manual.

The undersigned is responsible for compilation of the technical file and makes this declaration on behalf of Black & Decker.

A handwritten signature in black ink, appearing to read 'R. Laverick'.

R. Laverick  
Engineering Director  
Black & Decker Europe, 210 Bath Road, Slough,  
Berkshire, SL1 3YD  
United Kingdom  
04/09/2018

## Guarantee

Black & Decker is confident of the quality of its products and offers consumers a 24 month guarantee from the date of purchase. This guarantee is in addition to and in no way prejudices your statutory rights. The guarantee is valid within the territories of the Member States of the European Union and the European Free Trade Area.

To claim on the guarantee, the claim must be in accordance with Black & Decker Terms and Conditions and you will need to submit proof of purchase to the seller or an authorised repair agent. Terms and conditions of the Black & Decker 2 year guarantee and the location of your nearest authorised repair agent can be obtained on the Internet at [www.2helpU.com](http://www.2helpU.com), or by contacting your local Black & Decker office at the address indicated in this manual.

Please visit our website [www.blackanddecker.co.uk](http://www.blackanddecker.co.uk) to register your new Black & Decker product and receive updates on new products and special offers.

The Alligator™ Lopper is the subject of patent and design applications in Europe, the United States and other countries around the world. ALLIGATOR is a trade mark of the Black & Decker Corporation.

## Сфера застосування

Гілкоріз BLACK+DECKER™, GKC1000L, GKC1000LB Alligator™ розроблений для обрізки гілок дерев, розрізання опалих гілок та невеликих колод діаметром від 25 до 100 мм, поки оператор стоїть на землі. Цей інструмент призначений лише для побутового використання.

## Інструкції з техніки безпеки

### Загальні правила безпеки для електричного інструмента



**Увага! Прочитайте всі попередження та інструкції.** Невиконання наведених нижче попереджень та інструкцій може призвести до ураження електричним струмом, пожежі та/або серйозних травм.

**Збережіть всі попередження та інструкції для використання в майбутньому.** Термін «електричний інструмент» в усіх попередженнях, перерахованих нижче, стосується використовуваних вами інструментів, що працюють від мережі енергоспоживання (з використанням електричного кабелю) або акумуляторів (без кабелю).

#### 1. Безпека робочої зони

- Тримайте робочу зону чистою та добре освітленою.** Невпорядковані й темні робочі зони збільшують імовірність нещасного випадку.
- Не використовуйте електричні інструменти у вибухонебезпечній атмосфері, наприклад у присутності займистих рідин, газів та пилу.** Електричні інструменти створюють іскри, що можуть запалити пил або випаровування.
- Тримайте дітей та сторонніх подалі під час використання інструменту.** Відвернення уваги може призвести до втрати контролю.

#### 2. Електрична безпека

- Вилка електричного інструмента має відповідати розетці. Ніколи жодним чином не змінюйте вилку. Не використовуйте адаптери з заземленими електричними інструментами.** Немодифіковані вилки та розетки, що відповідають їм, зменшують ризик ураження електричним струмом.
- Уникайте контакту тіла із заземленими поверхнями, такими як труби, радіатори, плити та холодильники.** Якщо ваше тіло заземлене, збільшується ризик ураження електричним струмом.
- Не залишайте електричні інструменти під дощем або за умов підвищеної вологості.** Вода, що потрапляє в електричний інструмент, підвищує ризик ураження електричним струмом.
- Не використовуйте кабель живлення не за**

призначенням. Ніколи не переносьте, не тягніть та не відключайте електричний інструмент від розетки живлення за допомогою шнура. Тримайте шнур подалі від високих температур, мастила, гострих предметів та рухомих деталей. Пошкоджені або перекручені шнури підвищують ризик ураження електричним струмом.

- При використанні електричного інструменту на вулиці, використовуйте подовжуючий шнур, що підходить для використання на вулиці.** Використання шнура, що підходить для вулиці, знижує ризик ураження електричним струмом.
  - Якщо неможливо уникнути використання електричного інструменту за умов підвищеної вологості, використовуйте джерело живлення, захищене пристроєм залишкового струму (RCD).** Використання RCD знижує ризик ураження електричним струмом.
- ### 3. Особиста безпека
- Будьте в стані готовності, дивіться, що ви робите, та використовуйте загальний глузд, коли ви працюєте з електричним інструментом. Не використовуйте електричний інструмент, коли ви втомлені або знаходитесь під впливом наркотичних речовин, алкоголю або ліків.** Втрата уваги при роботі з електричними інструментами можуть призвести до серйозних травм.
  - Використовуйте особисті засоби безпеки. Завжди використовуйте засоби захисту очей.** Засоби безпеки, такі як протипилова маска, неслизькі безпечні черевики, захисний шолом та засоби захисту слухового апарату, які використані для відповідних умов, зменшують імовірність особистих травм.
  - Уникайте випадкового запуску. Переконайтесь в тому, що перемикач знаходиться в позиції Вимк., перш ніж підключати інструмент до джерела живлення та/або акумулятора, переміщувати або переносити.** Якщо ви переносите інструмент, тримаючи палець на перемикачі, або підключаєте живлення з перемикачем в позиції Увімк., це може призвести до нещасного випадку.
  - Зніміть всі налаштувальні ключі або гайкові ключі перед вмиканням електричного інструмента.** Гайковий ключ, що залишився прикріпленим до якоїсь деталі електричного пристрою, що обертається, може призвести до травм.
  - Не перенапружуйтеся. Завжди утримуйте правильну постановку ніг і рівновагу.** Це дає вам змогу краще контролювати інструмент в непередбачуваних ситуаціях.
  - Вдягайте відповідний одяг. Не вдягайте вільний одяг або прикраси. Тримайте ваше волосся, одяг**

та рукавички подалі від рухомих деталей. Вільний одяг, прикраси або довге волосся можуть зачепитися за рухомі деталі.

- g. Якщо передбачені пристрої для підключення до засобів виділення та збирання пилу, переконайтеся, що вони правильно підключені та використовуються.** Використання таких пристроїв зменшує ризик виникнення небезпечних ситуацій, що пов'язані з потраплянням пилу.
- h. Навіть якщо ви добре знаєте інструмент та часто його використовуєте, не розслабляйтесь та не забувайте про принципи техніки безпеки.** Необережні дії можуть за долю секунди призвести до важких тілесних ушкоджень.
- 4. Використання електричного інструмента та догляд за ним**
- a. Не застосовуйте надмірні зусилля під час роботи з інструментом. Використовуйте електричний інструмент, який відповідає завданню, що виконується.** Правильно обраний інструмент виконає завдання краще та безпечніше за умов, для яких він був розроблений.
- b. Не використовуйте інструмент, вмикач якого не вмикає та не вимикає його.** Будь-який електричний інструмент, який не може управлятися вмикачем, є небезпечним і має бути відремонтований.
- c. Відключіть вилку від джерела живлення та/або зніміть акумуляторний блок з електричного інструмента перед тим, як робити будь-які налаштування, змінювати додаткове обладнання чи зберігати електричні інструменти.** Ці профілактичні заходи зменшують ризик випадкового запуску електричного інструмента.
- d. Зберігайте вимкнені електричні інструменти подалі від дітей та не дозволяйте особам, що не знайомі з електричним інструментом або цими інструкціями, використовувати електричний інструмент.** Електричні інструменти є небезпечними, якщо вони використовуються некваліфікованими користувачами.
- e. Технічне обслуговування електричних інструментів. Перевіряйте несумісність або заїдання рухомих деталей, наявність ушкоджених частин та інших умов, що можуть впливати на роботу електричного інструмента. Якщо є пошкодження, відремонтуйте електричний інструмент перед використанням.** Багато нещасних випадків є результатом того, що інструмент не пройшов відповідного технічного обслуговування.
- f. Тримайте різальні інструменти гострими та чистими.** Правильно доглянуті різальні інструменти з гострими різальними кромками мають меншу ймовірність заїдання, та ними легше керувати.
- g. Використовуйте електричний інструмент, приладдя та деталі інструмента тощо у відповідності до цих інструкцій, зважаючи на умови використання та роботу, яка має бути виконана.** Використання електричних інструментів не за призначенням може призвести до виникнення небезпечних ситуацій.
- h. Всі ручки та поверхні для тримання інструменту повинні бути сухими та без залишків мастила.** Слизькі ручки та поверхні для тримання не дають можливості безпечно працювати та контролювати інструмент у несподіваних ситуаціях.
- 5. Використання та догляд за інструментом, що працює від акумулятора**
- a. Заряджайте інструмент лише за допомогою зарядного пристрою, що вказаний виробником.** Зарядний пристрій, що підходить до одного типу акумуляторів, може призвести до пожежі, коли використовується з іншим акумулятором.
- b. Використовуйте електричні інструменти лише зі спеціально розробленим акумулятором.** Використання інших акумуляторів може призвести до травм або пожежі.
- c. Коли акумулятори не використовуються, зберігайте їх подалі від металевих предметів, як скріпки, монети, ключі, цвяхи, гвинти або інші невеликі предмети, що можуть призвести до замикання двох контактів.** Коротке замикання клем акумулятора може призвести до вибуху або пожежі.
- d. За невідповідних умов використання рідина може витікати з батареї, уникайте контакту з цією рідиною.** Якщо контакт таки стався, промийте забруднену ділянку водою. Якщо рідина потрапила в очі, промийте водою та зверніться до лікаря. Рідина, що витікає з батареї, може призвести до подразнень та опіків.
- e. Не використовуйте акумулятор або інструмент, який пошкоджено або змінено.** Пошкоджені або модифіковані акумулятори можуть поводити себе непередбачуваним чином, призводячи до пожежі, вибуху або тілесним ушкодженням.
- f. Не піддавайте акумулятор або інструмент впливу вогню або надмірних температур.** Вплив вогню або температури вище 130°C може спричинити вибух.
- g. Виконуйте всі інструкції щодо зарядки та не заряджайте акумулятор або інструмент за межами температурного діапазону, вказаного в інструкціях.** Неналежна зарядка або зарядка поза межами вказаного температурного діапазону може пошкодити акумулятор та підвищити ризик пожежі.

## 6. Обслуговування

- а. Виконуйте всі інструкції щодо зарядки; заряджайте акумулятор та інструмент тільки в межах температурного діапазону, вказаного в інструкціях.** Неналежна зарядка або зарядка поза межами вказаного температурного діапазону може пошкодити акумулятор та підвищити ризик пожежі.
- б. Не обслуговуйте пошкоджені акумулятори самостійно.** Обслуговування акумуляторів мають виконувати представники виробника або працівники офіційного сервісного центру.

## Додаткові правила безпеки для електричного інструмента



**Увага!** Додаткові попередження з техніки безпеки для гілкоріза Alligator™.

**Увага!** Ніколи не використовуйте інструмент вище висоти плечей. Не розташовуйтеся на шляху падаючих гілок та сміття.

**Увага!** Не використовуйте інструмент для зрізання дерев.

- ◆ **Тримайте інструмент за ізольовану поверхню при виконанні операцій, коли ріжучий інструмент може торкнутися проводки або власного кабелю.** У разі контакту ріжучих елементів з дротом під напругою може з'явитися напруга в металевих деталях інструмента, що може призвести до ураження оператора електричним струмом.
- ◆ **Завжди тримайте всі частини тіла та одягу подалі від пилки.** Перш ніж запустити інструмент, переконайтесь, що пильний ланцюг не торкається жодного предмету. Неуважність під час роботи з інструментом може призвести до потрапляння одягу або частини тіла у пильний ланцюг. Тримайте інструмент перед собою і пам'ятайте про положення пилки, особливо під час різання гілок біля землі.
- ◆ **Завчасно продумайте безпечний шлях відходу від гілок або сміття, що падають. Переконайтесь, що шлях відходу вільний від перешкод, які заважатимуть руху.** Пам'ятайте, що на сирій траві і щойно зрізаній корі дерев можна посковзнутися.
- ◆ **Звертайте увагу на напрямок падіння гілок.** Врахуйте всі умови, які можуть вплинути на напрямок падіння, наприклад:
  - ◆ Можливий напрямок падіння.
  - ◆ Природний нахил гілки.
  - ◆ Незвичайна міцна структура гілки або наявність гнилі.
  - ◆ Дерева, що знаходяться поряд, та перешкоди, в тому числі повітряні лінії електропередач.
  - ◆ Швидкість і напрямок вітру.
- ◆ **Безпечна відстань між гілкою, що спилують, та людьми, будівлями та іншими об'єктами має бути щонайменше у 2,5 рази більша довжини гілки.** Люди, будівлі та інші об'єкти, що знаходяться у межах цієї відстані, можуть бути травмовані або зачеплені гілкою, що падає.
- ◆ **При відпилюванні гілки під напругою бережіться віддачі.** Коли напруга у волокнах деревини зменшиться, гілка може вдарити оператора і/або спричинити віддачу інструмента, що може вийти з-під контролю.
- ◆ Під час роботи з інструментом завжди носіть відповідне захисне екіпірування, наприклад захисне взуття, тверду шапку, захисні окуляри, захист вух та рукавички.
- ◆ Необхідно, щоб поблизу (але на безпечній відстані) перебувала людина, яка зможе надати допомогу у разі нещасного випадку.
- ◆ Не використовуйте цей інструмент, знаходячись на дереві, на драбині або на іншій нестійкій поверхні.
- ◆ Завжди утримуйте правильну постановку ніг і рівновагу.
- ◆ Коли працює мотор, тримайте інструмент міцно обома руками.
- ◆ Всі ручки інструменту повинні бути сухими, чистими та без залишків мастила. Жирні ручки стають слизькими, що погіршує контроль за інструментом.
- ◆ Уникайте контакту кінця направляючої шини пилки, що рухається, з будь-якими предметами.
- ◆ Підтримуйте відповідний натяг пильного ланцюга. Регулярно перевіряйте натяг при зупиненому двигуні та від'єданому шнурі живлення.
- ◆ Починайте та виконуйте розпил лише, коли ланцюг працює з повною швидкістю.
- ◆ Слідкуйте за зміщенням гілок або іншими силами, що можуть закрити розпил та затиснути або зламати пилку.
- ◆ Будьте особливо обережні при вставленні пилки у попередній розпил. Вставте у деревину шипи нижньої частини пилки та дозвольте ланцюгу досягти повної швидкості перед виконанням розпилу.
- ◆ Використання інструмента не за призначенням може призвести до виникнення небезпечних ситуацій. Розпилюйте лише деревину. Не використовуйте цей інструмент не за призначенням, наприклад, не використовуйте інструмент для різання пластикових, кам'яних або не деревних будівельних матеріалів.
- ◆ Якщо будь-яке сміття потрапило під захист чи інструмент, припиніть його використання, вийміть акумулятор та видаліть сміття.
- ◆ Зношені ланцюги та направляючі шини потрібно замінити.

- ◆ Використовуйте замінні шини та ланцюги, що рекомендовані виробником.

### Залишкові ризики

Під час використання інструмента можуть виникнути додаткові залишкові ризики, які не внесено до попереджень щодо техніки безпеки в цьому посібнику. Ці ризики можуть виникнути як результат неправильного використання, тривалого використання тощо. Незважаючи на виконання всіх відповідних правил техніки безпеки та використання захисних пристроїв, неможливо уникнути деяких залишкових ризиків. Сюди належать:

- ◆ Травми через контакт з деталями, що рухаються/обертаються.
- ◆ Травми під час заміни деталей, пильних полотен або аксесуарів.
- ◆ Травми через занадто тривале використання інструмента. Під час використання будь-якого інструмента протягом тривалого періоду часу не забувайте робити регулярні перерви.
- ◆ Порушення слуху.
- ◆ небезпека для здоров'я через вдихання пилу, що утворюється під час використання інструменту (наприклад, при роботі з деревом, особливо з дубом, буком та ДВП).

### Вібрація

Значення вібрації, вказані в технічних даних та в декларації про відповідність виміряні з дотриманням стандартних методів тестування, наданих в EN 60745, та їх можна використовувати для порівняння одного інструмента з іншим. Задекларовані значення вібрації можна також використовувати для попередньої оцінки впливу вібрації.

**Увага!** Значення вібрації під час використання інструмента може відрізнятись від задекларованого в залежності від способів використання інструмента. Рівень вібрації може перевищувати вказані значення.

Оцінюючи вплив вібрації для визначення заходів безпеки за вимогами 2002/44/EC, щоб захистити людей, які регулярно використовують інструменти в роботі, необхідно враховувати реальні умови та способи використання інструмента, у тому числі всі періоди робочого циклу, наприклад час, коли інструмент вимкнено та коли він працює в режимі холостого ходу, а також час, потрібний для запуску інструмента.

### Написи на інструменті

Наступні піктограми нанесено на інструмент разом з кодом дати:



**Увага!** Щоб зменшити ризик травм, користувач повинен прочитати посібник з експлуатації.



Не використовуйте пилку у вологих умовах та під час дощу.



Завжди використовуйте засоби захисту очей.



Завжди використовуйте засоби захисту органів слуху.



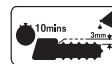
Стережіться об'єктів, що падають.



Сторонні люди повинні знаходитись подалі від інструмента.



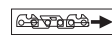
Не використовуйте драбини.



Щоб забезпечити постійну безпечну експлуатацію, перевіряйте натяг ланцюга, як описано в цьому посібнику, кожні 10 хвилин використання та повертайте зазор на рівень 3 мм, якщо це потрібно. Змашуйте ланцюг через кожні 10 хвилин використання.



**Увага!** Не торкайтеся ланцюга пилки в точці викиду стружки.



Напрямок обертання ланцюга.



У Директиві 2000/14/EC вказана гарантована звукова потужність.

### Додаткові інструкції з техніки безпеки для акумуляторів та зарядних пристроїв (не надаються до GKC1000LB)

#### Акумулятори (не надаються до GKC1000LB)

- ◆ Ніколи не намагайтесь відкривати батарею.
- ◆ Не занурюйте батарею у воду.
- ◆ Тримайте та експлуатуйте батарею впливу тепла.
- ◆ Не зберігайте у місцях, де температура може перевищувати 40°C.
- ◆ Заряджайте лише за температури навколишнього середовища між 10°C та 40°C.
- ◆ Заряджайте лише за допомогою зарядного пристрою, що надається з інструментом. Використання невідповідного зарядного пристрою може призвести до ураження електричним струмом або перегрівання батареї.



- ◆ Під час утилізації батарей виконуйте інструкції, наведені в розділі «Захист навколишнього середовища».
- ◆ Не пошкоджуйте та не деформуйте батареї шляхом проколу або удару, це може призвести до ризику травми та пожежі.
- ◆ Не заряджайте пошкоджені батареї.

**За екстремальних умов можлива розгерметизація батареї. Якщо ви помітите на батареї рідину, витріть її обережно ганчіркою. Уникайте контакту зі шкірою. При потраплянні на шкіру або в очі виконуйте наступні інструкції.**

**Увага! Рідина батареї здатна спричинити тілесне ураження або пошкодження майна. У випадку потрапляння на шкіру негайно промийте її водою. У разі виникнення почервоніння, болю чи подразнення зверніться до лікаря. У випадку потрапляння на слизову очей негайно промийте великою кількістю чистої води та зверніться по медичну допомогу.**

### **Зарядні пристрої (не надаються до GKC1000LB)**

**Увага! Ваш зарядний пристрій було розроблено для певного значення напруги. Завжди перевіряйте відповідність джерела живлення напрузі, що вказана на табличці з паспортними даними.**

**Увага! Ніколи не намагайтесь замінювати зарядний пристрій звичайним мережним штепселем.**

- ◆ Використовуйте зарядний пристрій BLACK+DECKER для зарядки батарей лише того пристрою/інструмента, з яким він був у комплекті. Інші батареї можуть вибухнути, спричинивши травми та пошкодження.
- ◆ Ніколи не намагайтесь заряджати батареї, що не підлягають зарядці.
- ◆ Якщо шнур живлення пошкоджений, його необхідно замінити у виробника або в офіційному сервісному центрі компанії BLACK+DECKER для уникнення небезпеки.
- ◆ Уникайте контакту зарядного пристрою з водою.
- ◆ Не відкривайте корпус зарядного пристрою.
- ◆ Не розбирайте зарядний пристрій.
- ◆ Під час зарядки зарядний пристрій необхідно розмістити у добре провітрюваному приміщенні.

### **Маркування на зарядному пристрої (не надається до GKC1000LB)**

На зарядному пристрої є наступні попереджувальні символи:



Зарядний пристрій призначений лише для використання в приміщенні.



Прочитайте інструкції цього посібника перед використанням.

### **Електрична безпека**



Зарядний пристрій має подвійну ізоляцію, тому заземлення непотрібне. Завжди перевіряйте відповідність джерела живлення напрузі, що вказана на табличці з паспортними даними. Ніколи не намагайтесь замінювати зарядний пристрій звичайним мережним штепселем.

- ◆ Якщо шнур живлення пошкоджений, його необхідно замінити у виробника або в офіційному сервісному центрі компанії BLACK+DECKER для уникнення небезпеки.

### **Компоненти**

1. Верхня частина
2. Нижня частина
3. Направляюча шина пилки
4. Масляний чохол
5. Фіксатор
6. Акумулятор (не надається до GKC1000LB)
7. Приводи вмикання/вимикання
8. Точка викиду стружки
9. Зарядний пристрій (не надається до GKC1000LB)

### **Збирання (акумулятор та зарядний пристрій не надаються до GKC1000LB)**

**Увага! Перед збиранням інструмента витягніть з нього акумулятор (6).**

### **Встановлення та знімання батареї (рис. А)**

- ◆ Щоб установити акумулятор (6), вирівняйте його відносно відповідного відсіку в інструменті. Встановіть акумулятор (6) у відсік та натисніть, щоб акумулятор (6) став на місце.
- ◆ Щоб вийняти акумулятор (6), натисніть на кнопку фіксатора (18), одночасно виштовхуючи акумулятор (6) з відсіку.

### **Відкривання ручок (рис. В)**

- ◆ Щоб відкрити ручки, відтягніть фіксатор (5) назад та витягніть ручки.
- ◆ Після використання закрийте ручки і пересуньте фіксатор (5) вперед у положення блокування. Ручки повинні бути зафіксовані під час транспортування та зберігання.

### **Регулювання натягу ланцюга (рис. С)**

**Увага! Перед регулюванням натягу ланцюга потрібно впевнитись, що інструмент вимкнено, а акумулятор знятий. Увага! Направляюча шина пилки та ланцюг можуть бути гарячими після використання. Дайте їм охолонути перед регулюванням.**

Інструмент поставляється у зібраному вигляді. Однак ми радимо перед використанням перевірити натяг ланцюга пилки (14) та болти кріплення кришки доступу до ланцюга та відрегулювати їх за необхідності.

### Перевірка та налаштування натягу ланцюга пилки (рис. С)

Для налаштування натягу ланцюга пилки (14) відкрутіть гайковим ключем (13) два фіксуючих болти кришки ланцюга (12) і пристрій натягу ланцюга висуне направляючу ланцюга (3), встановивши правильний натяг. Надійно затягніть два фіксуючі болти (12).

Перевірте правильність натягу, злегка потягнувши за ланцюг пилки (14). Натяг вважається правильним, якщо ланцюг повертається на місце після його відтягування на 3 мм від направляючої шини. Між направляючою шиною (3) і ланцюгом (14) не повинно бути провисання знизу.

**Примітка.** Не перетягніть ланцюг, тому що це призведе до надмірного зносу та скоротить термін придатності шини та ланцюга. Це також призведе до зниження потужності приладу.

**Примітка.** При першому використанні та після встановлення нового ланцюга пилки часто перевіряйте натяг, оскільки новий ланцюг пилки трохи розтягується.

### Заміна ланцюга пилки та направляючої шини

Після тривалого використання ланцюг пилки (14) та/або направляюча шина (3) можуть потребувати заміни. Переконайтесь, що використовуються лише рекомендовані запчастини Black & Decker.

### Заміна ланцюга пилки та направляючої шини (рис. С та D)



Завжди використовуйте захисні рукавиці при встановленні або знятті ланцюга (8). Ланцюг гострий, тому ви можете порізатися, коли він не працює.

**Увага!** Направляюча шина пилки та ланцюг можуть бути гарячими після використання. Дайте їм охолонути перед регулюванням.

- ◆ Встановіть інструмент на тверду поверхню.
- ◆ Поверніть два фіксуючих болти (12) проти годинникової стрілки за допомогою гайкового ключа (13) та повністю вийміть.
- ◆ Зніміть кришку доступу до ланцюга (11).
- ◆ Пересуньте фіксатор (5) у положення розблокування, відкрийте ручки та витягніть верхню частину пилки (1).
- ◆ Потягніть назад направляючу шину ланцюга (3) та підніміть ланцюг пилки (14) з паза направляючої шини. Після цього ланцюг пилки можна зняти з інструмента.
- ◆ Після цього направляюча шина ланцюга (3) може бути піднята під кутом і знята.

### Встановлення направляючої шини ланцюга і ланцюга пилки (рис. Е та F)

**Увага!** Завжди використовуйте захисні рукавиці при встановленні або знятті ланцюга. Ланцюг гострий, тому ви можете порізатися, коли він не працює.

- ◆ Переконайтесь, що операція виконується на твердій поверхні.
- ◆ Пересуньте фіксатор (5) у положення розблокування, відкрийте ручки та витягніть верхню частину пилки (1).
- ◆ Вставте направляючу шину ланцюга (3) в простір між натягувачем ланцюга і вирівняйте з фіксатором направляючої шини. Нахиліть ланцюг (3) вниз, переконавшись, що він встановлений правильно.
- ◆ Розташуйте ланцюг пилки (14) навколо передньої частини направляючої шини ланцюга (3).
- ◆ Потягніть направляючу шину ланцюга (3) і ланцюг пилки (14) назад, зачепивши її за паз у направляючій шині ланцюга (3), а потім за зірочку (16), встановивши зубці у потрібному положенні.
- ◆ Встановіть на місце кришку доступу до ланцюга (11) та два фіксуючих болти (12), надійно їх затягнувши.
- ◆ Переконайтесь, що ланцюг пилки (14) встановлений правильно відповідно до маркування на інструменті.

### Змащування (рис. G)

- ◆ Перед першим використанням та кожні десять хвилин роботи потрібно змащувати інструмент правильним ланцюговим мастилом. (Кат. № А6027) Відкрийте масляний чохол (4) та вставте пляшку в отвір для наповнення мастилом (15), натисніть на пляшку один раз, щоб додати мастила.
- ◆ Цього має вистачити приблизно на 10 хвилин роботи, залежно від швидкості різання та типу деревини.

Мастило подається крізь отвір через ланцюг пилки на направляючу шину (3), а його залишки стікають з пристрою навколо нижньої частини. Це нормальна робота, через яку не потрібно турбуватися.

### Використання

#### Зарядка батареї (рис. H) (не надається до GKC1000LB)

**Увага!** Не заряджайте батарею за температури навколишнього середовища нижче 10°C або вище 40°C. Рекомендована температура зарядки: приблизно 24°C.

**Примітка.** Зарядний пристрій не буде заряджати акумулятор, якщо температура навколишнього середовища нижче 0°C або вище 40°C. Батарею потрібно залишити у зарядному пристрої, який автоматично почне її заряджати, коли температура батареї підніметься або зменшиться.

- ◆ Для заряджання батареї (6) вставте її в зарядний пристрій (9). Батарею можна вставити в зарядний пристрій лише одним способом. Не прикладайте силу.
- ◆ Переконайтесь, що батарея вставлена в зарядний пристрій (9) до кінця.
- ◆ Включіть зарядний пристрій (9) у розетку мережі живлення.
- ◆ Індикатор зарядки (19) буде постійно блимати зеленим світлом (повільно).
- ◆ Зарядка вважається завершеною, коли індикатор зарядки (19) постійно горить зеленим.
- ◆ Індикатор почне спалахувати зеленим (індикація зарядки), коли зарядний пристрій час від часу почне доповнювати заряд акумулятора.
- ◆ Індикатор зарядки (19) буде горіти, поки батарея підключена до зарядного пристрою (9), підключеного до розетки.

Не тримайте акумулятори розрядженими більше 1 тижня. Термін служби батареї значно зменшується, якщо вона зберігається у незарядженому стані.

### Залишення батареї в зарядному пристрої

Батареї можна залишити в зарядному пристрої на необмежений час з індикатором, який працює. Зарядний пристрій буде підтримувати батарею у повністю зарядженому стані.

### Діагностика зарядного пристрою

Якщо зарядний пристрій виявляє слабкий або пошкоджений акумулятор, індикатор зарядки буде швидко блимати червоним. Виконайте описані далі дії:

- ◆ Витягніть та вставте батарею знов (6).
- ◆ Якщо індикатор заряджання (19) продовжує швидко блимати червоним, візьміть інший акумулятор, щоб перевірити, чи правильно відбувається процес заряджання.
- ◆ Якщо інший акумулятор заряджається правильно, це означає, що оригінальний акумулятор пошкоджений, і його потрібно повернути до сервісного центру на переробку.
- ◆ Якщо новий акумулятор поводить себе так само, як і оригінальний, віднесіть зарядний пристрій на перевірку в один з авторизованих сервісних центрів.

**Примітка.** Потрібно до 60 хвилин, щоб визначити, що батарея пошкоджена.

Якщо батарея занадто гаряча або холодна, індикатор буде почергово миготіти швидко та повільно червоним (одне миготіння з кожною швидкістю, а потім повтор).

### Підготовка до роботи

- ◆ Виконуйте регулярне чищення інструмента, як описано в розділі технічного обслуговування, зокрема,

всередині кришки доступу до ланцюга (11).

- ◆ Нижня (2) та верхня (1) частини призначені для захисту, коли одна з ручок відпущена або відрізаний шматок гілки. Якщо цього не відбувається, припиніть користуватися інструментом і вийміть з нього акумулятор.
- ◆ Перевірте, чи якесь сміття блокує рух. Для цього може знадобитися зняти кришки доступу до ланцюга (11). Якщо після монтажу проблема не зникла, поверніть прилад до авторизованого сервісного центру.

### Увімкнення та вимкнення

**Увага!** В жодному разі не намагайтесь заблокувати перемикач у увімкненому положенні.

Для вашої безпеки цей інструмент оснащено системою подвійного вмикання. Ця система запобігає ненавмисному запуску інструмента.

### Увімкнення (рис. I)

Переконайтесь, що ви міцно тримаєте ручки, після чого затисніть обидва приводи вимикача (7), щоб увімкнути пристрій.

### Вимкнення (рис. I)

Відпустіть будь-який з вимикачів.

**Примітка.** Для використання інструмента необхідно активувати обидва перемикачі.

Не давіть на інструмент, працюйте без надмірного тиску. Він буде працювати краще та безпечніше з тією швидкістю, на яку він розрахований. Надмірний тиск може розтягнути пильний ланцюг.

При заїданні пильного ланцюга (14) або направляючої шини (3):

- ◆ Вимкніть інструмент.
- ◆ Від'єднайте акумулятор від інструмента.

Розширте розріз за допомогою клина, щоб зменшити навантаження на направляючу шину. Не тягніть ланцюгову пилку, щоб вивільнити її. Почніть новий розріз.

### Обрізка гілок (рис. J)

Переконайтесь, що спилювання гілок дерев не обмежено і не заборонено місцевим законодавством.

- ◆ Переконайтесь, що інструмент працює на повній швидкості перед тим, як робити зріз.
- ◆ Міцно тримайте інструмент, щоб уникнути його можливого підстрибування або бічного переміщення.
- ◆ Керуйте інструментом за допомогою легкого тиску.
- ◆ Завжди виконуйте розріз зверху вниз. Таким чином ви уникнете защемлення ланцюга пилки (14).
- ◆ Видаляйте гілки, як показано на рисунку I. Починаючи з кінця гілки, зменшуйте її поступовими кроками, обрізаючи невеликі ділянки.

- ◆ Вийміть інструмент з розрізу, поки він працює на повній швидкості.

## Технічне обслуговування

Ваш пристрій з кабелем або без нього виробництва компанії BLACK+DECKER призначений для роботи протягом довгого часу з мінімальним обслуговуванням. Тривала задовільна робота приладу залежить від належного обслуговування приладу та регулярного його очищення.

**Увага!** Перед виконанням будь-якого технічного обслуговування інструмента зі шнуром живлення або без нього виконайте такі дії.

- ◆ Вимкніть інструмент та відключіть його від мережі живлення.
- ◆ Або вимкніть інструмент та витягніть акумулятор з нього, якщо ваш пристрій має окремий акумуляторний блок.
- ◆ Або повністю розрядіть акумулятор, якщо пристрій має вбудований акумулятор, а потім вимкніть інструмент.
- ◆ Витягніть зарядний пристрій з розетки перед очищенням. Зарядний пристрій не вимагає технічного обслуговування, потрібно лише виконувати регулярне очищення.

Регулярно очищуйте вентиляційні отвори пристрою/інструмента/зарядного пристрою за допомогою м'якої щітки або сухої ганчірки.

Регулярно очищайте корпус двигуна вологою ганчіркою. Не використовуйте абразивні очищувачі та засоби, що містять розчинники.

Регулярно відкривайте затискний патрон та струшуйте його, щоб видалити пил з середини (якщо патрон наявний).

## Очищення

- ◆ Регулярно знімайте кришку доступу до ланцюга (11) та видаляйте все сміття, що потрапило всередину.
- ◆ Регулярно очищуйте вентиляційні отвори чистою сухою щіткою.
- ◆ Для очищення інструмента використовуйте лише м'який мильний розчин та вологу ганчірку. Не давайте рідині потрапляти всередину інструменту та ніколи не занурюйте деталі інструменту в рідину.

## Змащування

- ◆ Регулярно змащуйте точки змащення (15), як зазначено на рисунку D.

## Транспортування

- ◆ Завжди транспортуйте інструмент із закритими кліщами та фіксатором (5) у закритому положенні.

## Заточування ланцюга пилки

Щоб отримати максимально ефективну роботу інструменту, важливо підтримувати зубці та ланцюг гострими. Інструкції щодо заточування ви знайдете на упаковці пристрою для заточування. Для цього ми рекомендуємо придбати набір A6039 для заточування ланцюга пилки BLACK+DECKER (доступний в сервісних центрах BLACK+DECKER та у дилерів).

## Заміна зношених пильних ланцюгів

Змінні пильні ланцюги можна придбати в сервісних центрах BLACK+DECKER або у дилерів. Завжди використовуйте оригінальні запасні деталі.

## Гострота пильного ланцюга

Ріжучі поверхні пильного ланцюга затуплюються відразу при контакті з землею або цвяхом при роботі.

## Натягіння пильного ланцюга

Регулярно перевіряйте натягіння пильного ланцюга.

## Що робити, якщо ваша ланцюгова пилка вимагає ремонту

Ваша ланцюгова пилка виготовлена у повній відповідності до діючих правил техніки безпеки. Ремонт інструменту повинен виконуватись кваліфікованими спеціалістами із використанням оригінальних запасних деталей інакше може виникнути ризик небезпеки для користувача. Ми рекомендуємо зберігати даний посібник у надійному місці.

## Зберігання

Якщо інструмент не буде використовуватися протягом декількох місяців, протріть будь-які металеві елементи маслом. В ідеалі залиште акумулятор (6) підключеним до зарядного пристрою.

## Виконайте описані далі дії:

- ◆ Повністю зарядіть батарею (6).
- ◆ Зніміть акумулятор (6) з інструмента.
- ◆ Зберігайте інструмент та акумулятор (6) у безпечному й сухому місці. Температура зберігання має завжди залишатися в межах від +5°C до +40°C. Розташуйте акумулятор (6) на рівній поверхні.
- ◆ Перед тим як користуватися інструментом після тривалого зберігання, знову повністю зарядіть акумулятор (6).

## Захист навколишнього середовища



Роздільний збір. Пристрої та батареї, позначені цим символом, не можна викидати зі звичайним побутовим сміттям.

Пристрої та батареї містять матеріали, які можна відновити та переробити, що зменшить потребу у сировині. Будь ласка, віддавайте електричні інструменти та батареї на переробку відповідно до місцевих постанов. Більш детальну інформацію можна отримати на сайті [www.2helpU.com](http://www.2helpU.com).

## Технічні характеристики

		GKC1000L H1	GKC1000LB H1
Напруга	$V_{\text{пост. струму}}$	18	18
Швидкість ланцюга (без навантаження)	$\text{хв.}^{-1}$	1,9	1,9
Максимальний діаметр зрізу	мм	100	100
Маса	кг	3,1	3,1

Акумулятор		BL2018	Не надається до GKC1000LB
Напруга	$V_{\text{пост. струму}}$	18	
Ємність	ампер-годин	2,0	
Тип		Літій-іонний	
Зарядний пристрій		906349** ТИП 1	Не надається до GKC1000LB
Вхідна напруга	$V_{AC}$	200-240	
Вихідна напруга	$V_{\text{постійний струм}}$	8-20	
Вихідний струм	мА	1000	
Приблизний час першого зарядження	h	2	

Гарантований рівень звукового тиску, виміряний відповідно до EN60745:
$L_pA$ (звуковий тиск) 85 дБ(A), похибка (K) 3 дБ(A), $LWA$ (звукова потужність) 95 дБ(A), похибка (K) 2,3 дБ(A) $LWA$ (гарантована акустична потужність) 97 дБ(A)

Загальні значення вібрації (векторна сума трьох векторів) згідно з EN 60745:
Різання свіжозрубаних хвойних порід деревини ( $a_h$ )= 4,9 $\text{m/s}^2$ , похибка (K) = 1,5 $\text{m/s}^2$

## Декларація про відповідність нормам ЄС

### ДИРЕКТИВА ДЛЯ МЕХАНІЧНОГО ОБЛАДНАННЯ

### ДИРЕКТИВА ПРО ШУМИ, ЩО ВИНИКАЮТЬ ПОЗА ПРИМІЩЕННЯМИ



GKC1000L, GKC1000LB – гілкоріз Alligator™

Компанія Black & Decker заявляє, що продукти, описані в розділі «Технічні характеристики» відповідають:

EN 60745-1:2009 + A11:2010,

Ці продукти також відповідають Директивам 2006/42/EC, 2014/30/EU і 2011/65/EU.

Для отримання додаткової інформації, будь ласка, зверніться до компанії Black & Decker за наступною адресою або прочитайте інформацію на зворотній стороні цього посібника.

Особа, яка підписалася нижче, несе відповідальність за упорядкування файлу технічних характеристик та робить цю заяву від компанії Black & Decker.

Р. Лаверік  
(R. Laverick),

Технічний директор

Black & Decker Europe, 210 Bath Road, Slough,

Berkshire, SL1 3YD

United Kingdom (Великобританія)

04.09.2018

Гілкоріз Alligator™ є предметом заявок на патент та дизайн в Європі, США та інших країнах світу. ALLIGATOR є торговою маркою корпорації Black & Decker.

## Гарантія

Компанія Black & Decker впевнена в якості своєї продукції та пропонує споживачам гарантію тривалістю 24 місяці з дати покупки. Ця гарантія доповнює і жодним чином не обмежує ваші законні права. Ця гарантія є чинною на території країн-членів Європейського Союзу та в європейській зоні вільної торгівлі.

Позив за гарантією повинен відповідати умовам компанії Black & Decker, при цьому вам необхідно буде надати доказ покупки продавцю або спеціалісту офіційного сервісного центру. Про умови 2-річної гарантії компанії Black & Decker та місцезнаходження найближчого до вас сервісного центру можна дізнатися в інтернеті на сайті [www.2helpU.com](http://www.2helpU.com), або ж можна звернутися до місцевого представництва компанії Black & Decker за адресою, вказаною у цьому посібнику.

Відвідайте наш сайт [www.blackanddecker.co.uk](http://www.blackanddecker.co.uk), щоб зареєструвати свій новий продукт Black & Decker та отримувати інформацію про нові продукти та спеціальні пропозиції.



Виробник:  
"Stanley Black & Decker Deutschland  
GmbH" Black-&-Decker Str.40, D-65510  
Idstein, Німеччина



ГАРАНТІЙНИЙ ТАЛОН

**2 РОКИ**  
ГАРАНТІЇ

1. Вітаємо Вас з покупкою високоякісного виробу Black+Decker і висловлюємо вдячність за Ваш вибір.
2. При покупці виробу вимагайте перевірки його комплектності і справності у Вашій присутності, інструкцію з експлуатації та заповнений гарантійний талон українською мовою. В гарантійному талоні повинні бути внесені: модель, дата продажу, серійний номер, дата виробництва інструменту; назва, печатка і підпис торгової організації. За відсутності у Вас правильно заповненого гарантійного талону, а також при невідповідності зазначених у ньому даних ми будемо змушені відхилити Ваші претензії щодо якості даного виробу.
3. Щоб уникнути непорозумінь, переконливо просимо Вас перед початком роботи з виробом уважно ознайомитися з інструкцією з його експлуатації. Правовою основою справжніх гарантійних умов є чинне Законодавство. Гарантійний термін на даний виріб складає 24 місяці і обчислюється з дня продажу. У разі усунення недоліків виробу, гарантійний строк продовжується на період його перебування в ремонті. Термін служби виробу становить 5 років з дня продажу.
4. У разі виникнення будь-яких проблем у процесі експлуатації виробу рекомендуємо Вам звертатися тільки в уповноважені сервісні центри Black+Decker, адреси та телефони яких Ви зможете знайти в гарантійному талоні, на сайті [www.2helpU.com](http://www.2helpU.com) або дізнатися в магазині. Наші сервісні станції - це не тільки кваліфікований ремонт, але і широкий асортимент запчастин і аксесуарів.
5. Виробник рекомендує проводити періодичну перевірку і технічне обслуговування виробу в уповноважених сервісних центрах.
6. Наші гарантійні зобов'язання поширюються тільки на несправності, виявлені протягом гарантійного терміну і викликані дефектами виробництва та \ або матеріалів.
7. Гарантійні умови не поширюються на несправності виробу, що виникли в результаті:
  - 7.1. Недотримання користувачем приписів інструкції з експлуатації виробу, застосування виробу не за призначенням, неправильного зберігання, використання приладдя, витратних матеріалів і запчастин, що не передбачені виробником.
  - 7.2. Механічного пошкодження (відколи, тріщини і руйнування) внутрішніх і зовнішніх деталей виробу, основних і допоміжних рукояток, мережевого кабелю, що викликані зовнішнім ударним або будь-яким іншим впливом
  - 7.3. Потрапляння у вентиляційні отвори та проникнення всередину виробу сторонніх предметів, матеріалів або речовин, що не є відходами, які супроводжують застосування виробу за призначенням, такими як: стружка, тирса, пісок, та ін.
  - 7.4. Впливу на виріб несприятливих атмосферних і інших зовнішніх факторів, таких як дощ, сніг, підвищена вологість, нагрівання, агресивні середовища, невідповідність параметрів електромережі, що зазначені на інструменті.
  - 7.5. Стихійного лиха. Пошкодження або втрати виробу, що пов'язані з непередбаченими лихами, стихійними явищами, у тому числі внаслідок дії непереборної сили (пожежа, блискавка, потоп і інші природні явища), а також внаслідок перепадів напруги в електромережі та іншими причинами, які знаходяться поза контролем виробника.
8. Гарантійні умови не поширюються:
  - 8.1. На інструменти, що піддавались розкриттю, ремонту або модифікації поза уповноваженим сервісним центром.
  - 8.2. На деталі, вузли та матеріали, що мають сліди природного зносу, такі як: приводні ремені і колеса, вугільні щітки, мастило, підшипники, зубчасті зчеплення редукторів, гумові ущільнення, сальники, направляючі ролики, муфти, вимикачі, бойки, штовхачі, стволи тощо.
  - 8.3. На змінні частини: патрони, цанги, затискні гайки і фланці, фільтри, ножі, шліфувальні підшви, ланцюги, зірочки, пильні шини, захисні кожухи, пилки, абразиви, пильні і абразивні диски, фрези, свердла, бури тощо
  - 8.4. На несправності, що виникли в результаті перевантаження інструменту (як механічного, так і електричного), що спричинили вихід з ладу одночасно двох і більше деталей і вузлів, таких як: ротора і статора, обох обмоток статора, веденої і ведучої шестерень редуктора або інших вузлів і деталей. До безумовних ознак перевантаження виробу відносяться, крім інших: поява кольорів мінливості, деформація або оплавлення деталей і вузлів виробу, потемніння або обуглювання ізоляції проводів електродвигуна під впливом високої температури.

Товар отриманий в справному стані, без видимих ушкоджень, в повній комплектації, перевірений у моїй присутності, претензій щодо якості товару не маю. З умовами гарантійного обслуговування ознайомлений і згоден.

П. І. Б. та підпис власника \_\_\_\_\_

**Шановні клієнти, наша мережа авторизованих сервісних центрів постійно розширюється. Актуальну інформацію про обслуговування в місті, що цікавить вас, ви можете дізнатися на сайті**

**[www.2helpU.com](http://www.2helpU.com)**

**Інформація про інструмент**

Найменування інструменту	
Модель	
Найменування продавця	
Дата продажу	

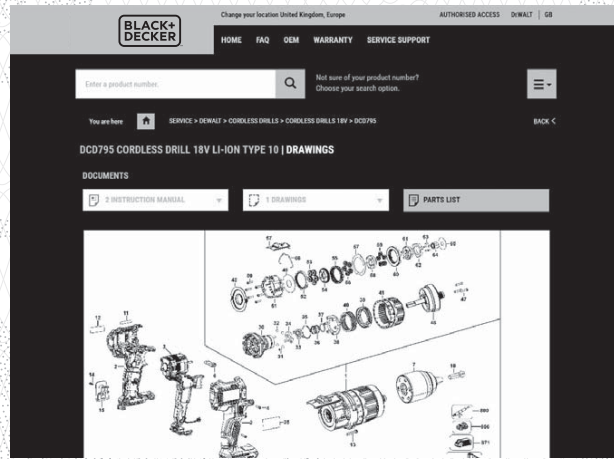
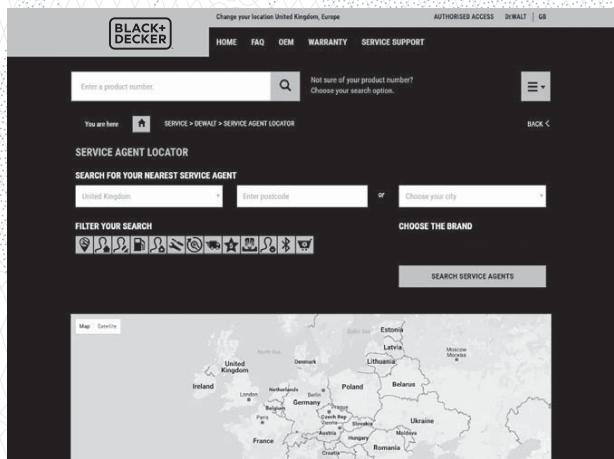
М.П.  
Продавця

**Серійний номер/Дата виробництва**

Інструмент	
Зарядний пристрій	
Акумулятор 1	
Акумулятор 2	

**На сайті [www.2helpU.com](http://www.2helpU.com) доступні наступні функції:**

- Список авторизованих сервісних центрів
- Зручний пошук найближчого сервісного центру
- Керівництво з експлуатації
- Технічні характеристики
- Список деталей і запасних частин
- Схема складання інструменту



**Також дану інформацію ви можете отримати, зателефонувавши за номером: 0 (800) 211 521 в Україні**

**ВІДМІТКА ПРО ПРОВЕДЕННЯ СЕРВІСНОГО ОБСЛУГОВУВАННЯ**

№1	№2	№3	№4
№ замовлення	№ замовлення	№ замовлення	№ замовлення
Дата прийому	Дата прийому	Дата прийому	Дата прийому
Дата ремонту	Дата ремонту	Дата ремонту	Дата ремонту
Печатка і підпис сервісного центру	Печатка і підпис сервісного центру	Печатка і підпис сервісного центру	Печатка і підпис сервісного центру