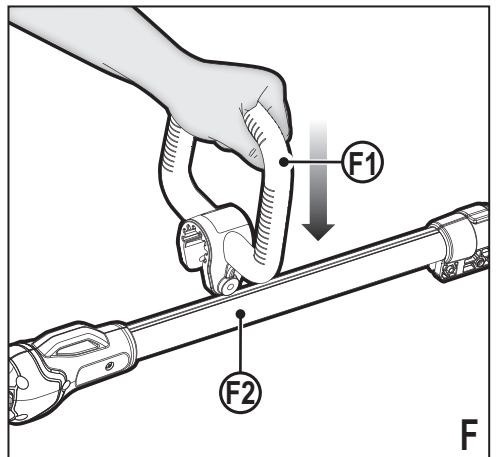
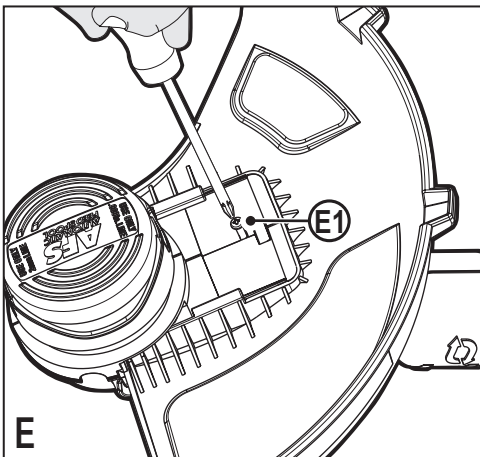
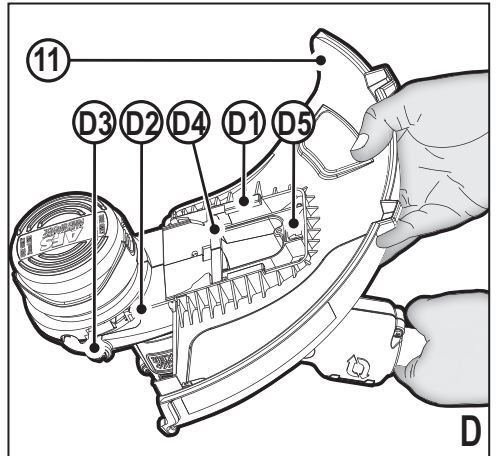
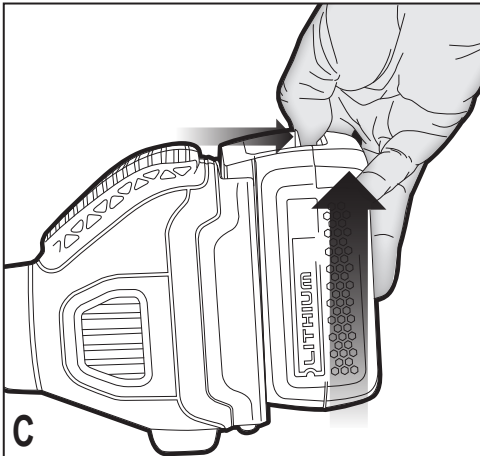
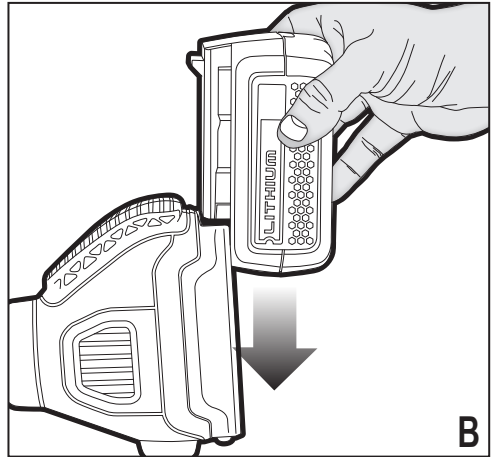
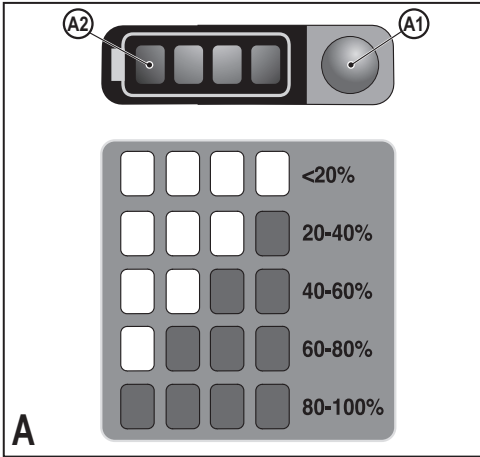
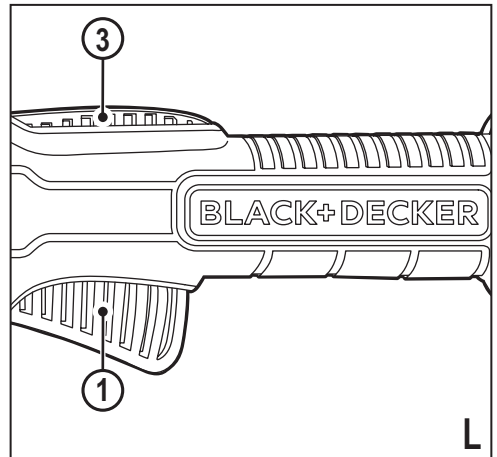
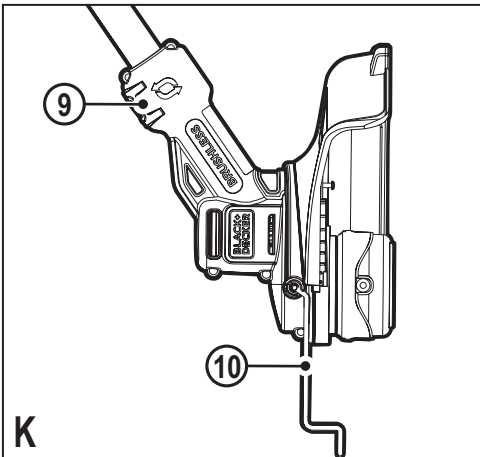
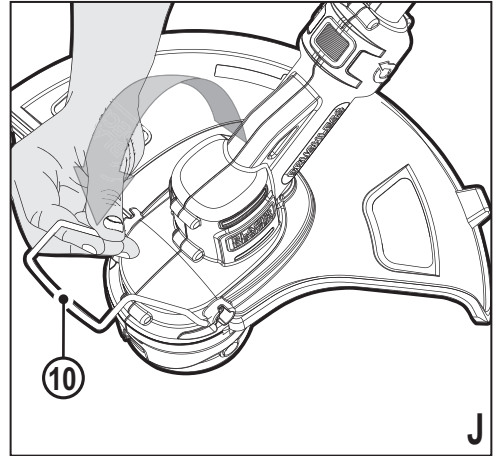
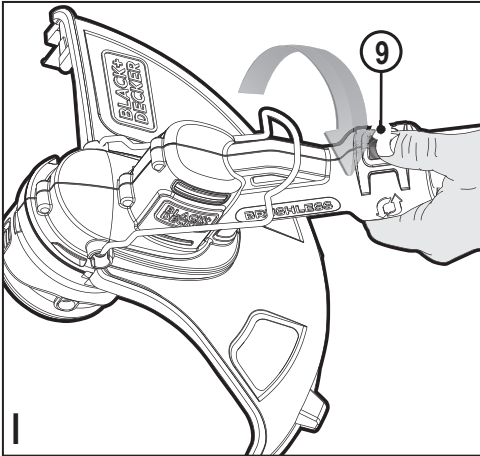
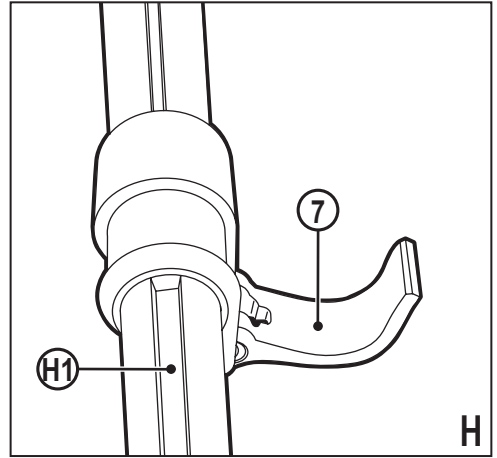
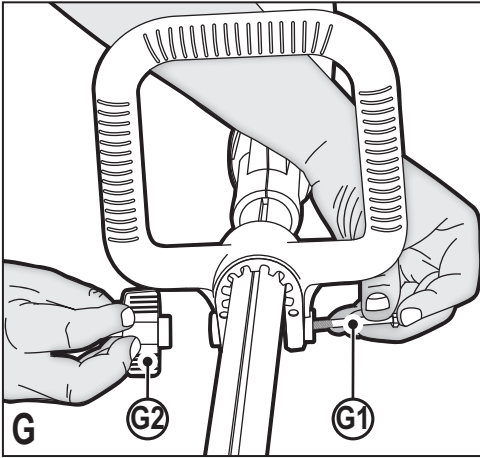


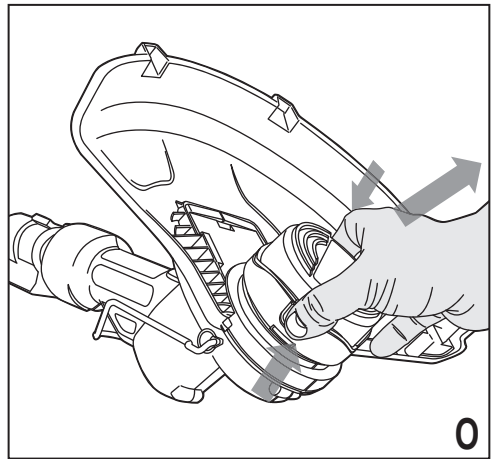
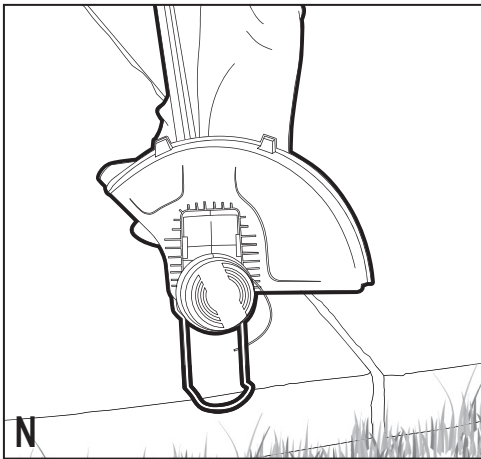
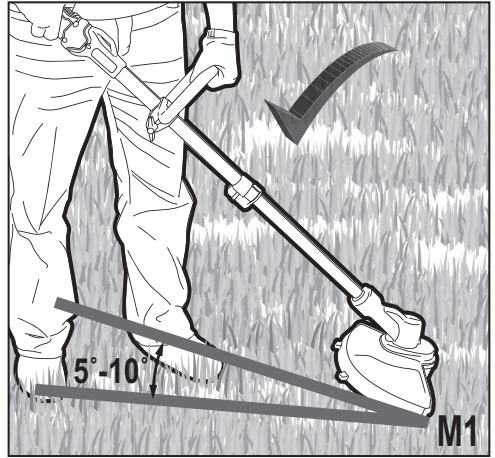
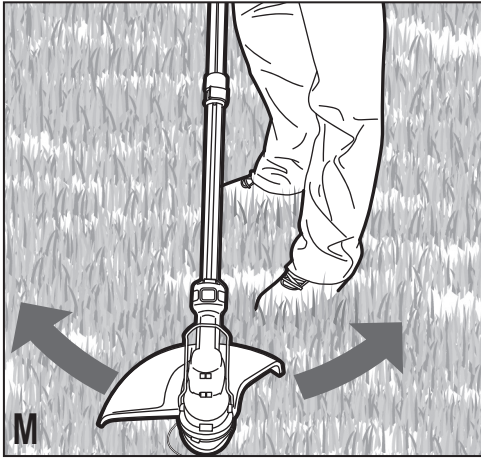
www.blackanddecker.eu

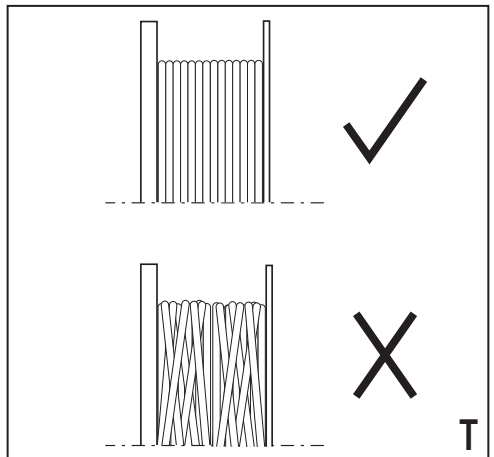
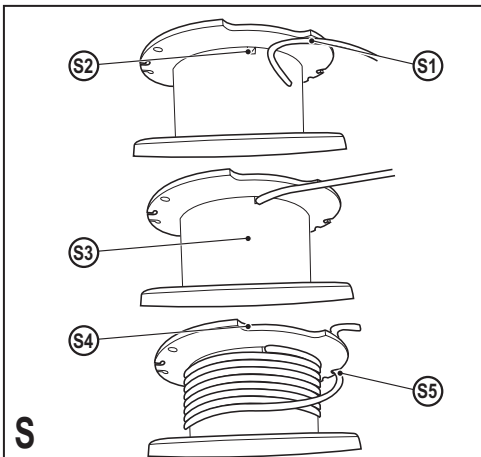
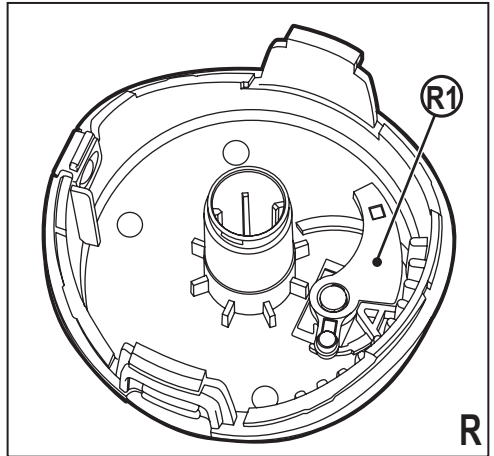
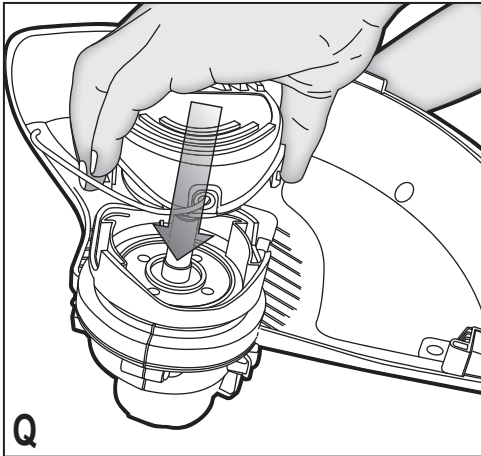
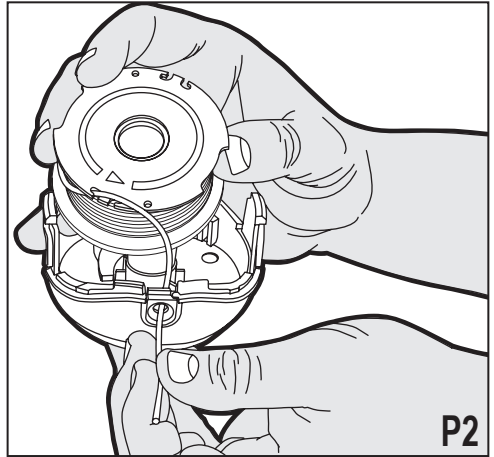
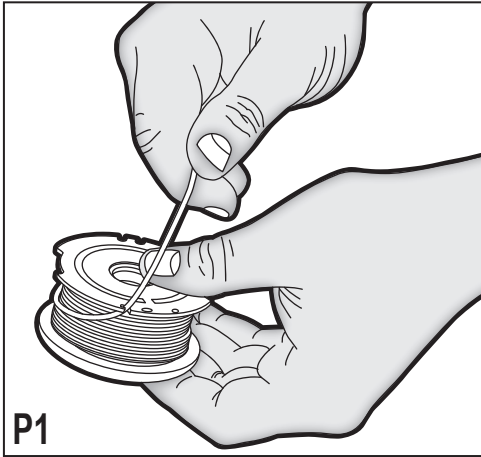
STB3620L

EN
DE
FR
IT
NL
ES
PT
SV
NO
DK
FI
EL









Intended use

Your BLACK+DECKER STB3620L trimmer has been designed for trimming and finishing lawn edges and to cut grass in confined spaces. This appliance is intended for consumer use only.

Safety instructions

Warning! When using mains-powered appliances, basic safety precautions, including the following, should always be followed to reduce the risk of fire, electric shock, personal injury and material damage.

Warning! When using the machine the safety rules must be followed. For your own safety and bystanders please read these instructions before operating the machine. Please keep the instructions safe for later use.

- ◆ Read all of this manual carefully before operating the appliance.
- ◆ The intended use is described in this manual. The use of any accessory or attachment or the performance of any operation with this appliance other than those recommended in this instruction manual may present a risk of personal injury.
- ◆ Retain this manual for future reference.

Using your appliance

Always take care when using the appliance.

- ◆ Always use safety glasses or goggles.
- ◆ Never allow children or people unfamiliar with the instructions to use the appliance.
- ◆ Do not allow children or animals to come near the work area or to touch the appliance or power supply cord.
- ◆ Close supervision is necessary when the appliance is used near children.
- ◆ This appliance is not intended for use by young or infirm persons without supervision.

- ◆ This appliance is not to be used as a toy.
- ◆ Only use the appliance in daylight or good artificial light.
- ◆ Use in a dry location only. Do not allow the appliance to become wet.
- ◆ Avoid using the appliance in bad weather conditions, especially when there is a risk of lightning.
- ◆ Do not immerse the appliance in water.
- ◆ Do not open the body casing. There are not user-serviceable parts inside.
- ◆ Do not operate the appliance in explosive atmospheres, such as in the presence of flammable liquids, gases or dust.
- ◆ To reduce the risk of damage to plugs or cords, never pull the cable to remove the plug from a socket.
- ◆ The appliance is only to be used with the power supply unit provided with the appliance.

Safety of others

- ◆ This appliance can be used by children aged from 8 years and above and persons with reduced physical, sensory or mental capabilities or lack of experience and knowledge if they have been given supervision or instruction concerning use of the appliance in a safe way and understand the hazards involved. Children shall not play with the appliance. Cleaning and user maintenance shall not be made by children without supervision.
- ◆ Children must be supervised to ensure that they do not play with the appliance.

Residual risks.

Additional residual risks may arise when using the tool which may not be included in the enclosed safety warnings.

These risks can arise from misuse, prolonged use etc.

Even with the application of the relevant safety regulations and the implementation of safety devices, certain residual risks can not be avoided. These include:

- ◆ Injuries caused by touching any rotating/moving parts.
- ◆ Injuries caused when changing any parts, blades or accessories.
- ◆ Injuries caused by prolonged use of a tool. When using any tool for prolonged periods ensure you take regular breaks.
- ◆ Impairment of hearing.
- ◆ Health hazards caused by breathing dust developed when using your tool (example:- working with wood, especially oak, beech and MDF.)

After use

- ◆ When not in use, the appliance should be stored in a dry, well ventilated place out of reach of children.
- ◆ Children should not have access to stored appliances.
- ◆ When the appliance is stored or transported in a vehicle it should be placed in the boot or restrained to prevent movement following sudden changes in speed or direction.

Inspection and repairs

- ◆ Before use, check the appliance for damaged or defective parts. Check for breakage of parts and any other conditions that may affect its operation.
- ◆ Do not use the appliance if any part is damaged or defective.
- ◆ Have any damaged or defective parts repaired or replaced by an authorised repair agent.

- ◆ Never attempt to remove or replace any parts other than those specified in this manual.

Additional safety instructions for grass trimmers

Warning! Cutting elements continue to rotate after the motor is switched off.

- ◆ Be familiar with the controls and the proper use of the appliance.
- ◆ Before use, check the power supply cord and extension cord for signs of damage, ageing and wear. If a cord becomes damaged during use, disconnect the cord from the mains supply immediately. **DO NOT TOUCH THE CORD BEFORE DISCONNECTING THE SUPPLY.**
- ◆ Always remove the battery from the appliance whenever the appliance is unattended, before clearing a blockage, before cleaning and maintenance, after striking a foreign object or whenever the appliance starts vibrating abnormally.
- ◆ Do not use the appliance if the cords are damaged or worn.
- ◆ Wear stout shoes or boots to protect your feet.
- ◆ Wear long trousers to protect your legs.
- ◆ Before using the appliance, check that your cutting path is free from sticks, stones, wire and any other obstacles.
- ◆ Only use the appliance in the upright position, with the cutting line near the ground. Never switch the appliance on in any other position.
- ◆ Move slowly when using the appliance. Be aware that freshly cut grass is damp and slippery.

- ◆ Do not work on steep slopes. Work across the face of slopes, not up and down.
- ◆ Never cross gravel paths or roads while the appliance is running.
- ◆ Never touch the cutting line while the appliance is running.
- ◆ Do not put the appliance down until the cutting line has come to a complete standstill.
- ◆ Use only the appropriate type of cutting line. Never use metal cutting line or fishing line.
- ◆ Be careful not to touch the line trimming blade.
- ◆ Take care to keep the mains cable away from the cutting line. Always be aware of the position of the cable.
- ◆ Keep hands and feet away from the cutting line at all times, especially when switching on the motor.
- ◆ Before using the appliance and after any impact, check for signs of wear or damage and repair as necessary.
- ◆ Never operate the appliance with damaged guards or without guards in place.
- ◆ Take care against injury from any device fitted for trimming the filament line length. After extending new cutter line always return the machine to its normal operating position before switching on.
- ◆ Always ensure that the ventilation slots are kept clear of debris.
- ◆ Do not use the lawn trimmer (edge trimmer), if the cords are damaged or worn.
- ◆ Keep extension cords away from cutting elements.

Additional safety instructions for batteries and chargers

Batteries

- ◆ Never attempt to open for any reason.
- ◆ Do not expose the battery to water.
- ◆ Do not store in locations where the temperature may exceed 40 °C.
- ◆ Charge only at ambient temperatures between 10 °C and 40 °C.
- ◆ Charge only using the charger provided with the tool.
- ◆ When disposing of batteries, follow the instructions given in the section "Protecting the environment".

Chargers

- ◆ Use your BLACK+DECKER charger only to charge the battery in the tool with which it was supplied. Other batteries could burst, causing personal injury and damage.
- ◆ Never attempt to charge non-rechargeable batteries.
- ◆ Have defective cords replaced immediately.
- ◆ Do not expose the charger to water.
- ◆ Do not open the charger.
- ◆ Do not probe the charger.



The charger is intended for indoor use only.



Read the instruction manual before use.

Electrical safety



Your charger is double insulated; therefore no earth wire is required. Always check that the mains voltage corresponds to the voltage on the rating plate. Never attempt to replace the charger unit with a regular mains plug.

- ◆ If the supply cord is damaged, it must be replaced by the manufacturer or an authorised BLACK+DECKER Service Centre in order to avoid a hazard.

Labels on appliance

The following warning symbols are found on the appliance along with the date code:



Read the manual prior to operation.



Wear safety glasses or goggles when operating this appliance.



Wear suitable ear protectors when operating this appliance.



Always remove the battery from the appliance before performing any cleaning or maintenance.



Beware of flying objects. Keep bystanders away from the cutting area.



Do not expose the appliance to rain or high humidity.



Directive 2000/14/EC guaranteed sound power.

Features

This appliance includes some or all of the following features.

1. Variable speed trigger
2. Handle
3. Lock off button
4. Battery
5. Charge indicator
6. Auxiliary handle
7. Height adjust locking clamp
8. Trimmer head
9. Head rotate button
10. Edge guide
11. Guard
12. Spool housing
13. Spool cap

Assembly

Warning! Before assembly, make sure that the tool is switched off and the battery has been removed.

Fitting the guard (Fig. D & E)

- ◆ Remove the screw (E1) from the Guard
- ◆ Keeping the Guard square to the trimmer head slide it fully into place until the retaining tab clicks. Ensure that the guide rails (D1) on the Guard (11) are correctly aligned with the guide rails (D2) on the trimmer head (D3) (Figure D). The locking tab (D4) should be snapped into the housing slot (D5).
- ◆ Secure the guard with the screw (E1) (Figure E).

Warning! Never use the tool unless the guard is properly fitted.

Attaching the auxiliary handle (Fig. F&G)

- ◆ Push the Auxiliary handle (F1) onto the tube (F2).
- ◆ Slide the bolt (G1) into the hex-shaped hole in the handle and through to the opposite side.
- ◆ Tighten the knob (G2) onto the bolt by turning it clockwise.

Warning! Ensure that central rib is located into slot in tube.

Adjusting the position of the auxiliary handle (Fig.G)

The auxiliary handle (6) can be adjusted to provide optimum balance and comfort.

- ◆ Loosen the knob (G2) on the bolt (G1) by turning it counter-clockwise.
- ◆ Gently slide the auxiliary handle up or down the tube (F2) to the desired height for comfort.
- ◆ Tighten the knob (G2) onto the bolt by (G1) turning it clockwise.

Adjusting the height of the tool (Fig.H)

Adjust the length of the trimmer to obtain proper working position as shown in Figure M.

This tool has a telescopic mechanism, allowing you to set it to a comfortable height.

To adjust the height setting, proceed as follows:

- ◆ Release the height adjust locking clamp (7).
- ◆ Gently pull the tube (H1) up or down to the desired height.
- ◆ Close the height adjust locking clamp (7).

Releasing the cutting line

In transit, the cutting line is taped to the spool housing.

Warning! Before assembly, remove the battery from the tool.

- ◆ Remove the tape holding the cutting line to the spool housing (12).

Fitting and removing the battery (Fig.B,C)

- ◆ To fit the battery (4), line it up with the receptacle on the tool. Slide the battery into the receptacle and push until the battery snaps into place.
- ◆ To remove the battery, push the release button while at the same time pulling the battery out of the receptacle.

Use

Warning! Let the tool work at its own pace. Do not overload.

Charging the battery

The battery needs to be charged before first use and whenever it fails to produce sufficient power on jobs that were easily done before. The battery may become warm while charging; this is normal and does not indicate a problem.

Warning! Do not charge the battery at ambient temperatures below 10 °C or above 40 °C. Recommended charging temperature: approx. 24 °C.

Note: The charger will not charge a battery if the cell temperature is below approximately 10 °C or above 40 °C.

The battery should be left in the charger and the charger will begin to charge automatically when the cell temperature warms up or cools down.

- ◆ Plug the charger into an appropriate outlet before inserting the battery pack.
- ◆ Insert the battery pack into the charger.



The green LED will flash indicating that the battery is being charged.



The completion of charge is indicated by the green LED remaining on continuously. The pack is fully charged and may be used at this time or left in the charger

Warning! Recharge discharged batteries as soon as possible after use or battery life may be greatly diminished.

Charger diagnostics

This charger is designed to detect certain problems that can arise with the battery packs or the power source. Problems are indicated by one LED flashing in different patterns.

Bad Battery



The charger can detect a weak or damaged battery. The red LED flashes in the pattern indicated on the label. If you see this bad battery blink pattern, do not continue to charge the battery. Return it to a service centre or a collection site for recycling

Hot/Cold Pack Delay



When the charger detects a battery that is excessively hot or excessively cold, it automatically starts a Hot/Cold Pack delay, suspending charging until the battery has normalised. After this happens, the charger automatically switches to the Pack Charging mode. This feature ensures maximum battery life. The red LED flashes in the pattern indicated on the label when the Hot/Cold pack delay is detected.

Leaving the battery in the charger

The charger and battery pack can be left connected with the LED glowing indefinitely. The charger will keep the battery pack fresh and fully charged.

State of Charge Indicator

The battery is equipped with a state of charge indicator. This can be used to display the current level of charge in the battery while in the trimmer and during charging. It does not indicate appliance functionality and is subject to variation based on product components, temperature and end user application.

Checking State of Charge during use

- ◆ Press the state of charge indicator (A1).
- ◆ The four LEDs (A2) will illuminate indicating the percent of charge in the battery (Fig.A.)
- ◆ If LED light does not illuminate, charge battery.

Switching on and off

- ◆ To switch the trimmer on, press in and hold the lock off button (3).
- ◆ Depress the variable speed trigger (1). The trimmer's speed, power and runtime depend on how far you press the trigger. Lightly depressing the trigger will result in lower speed and power, but longer runtime. Fully depressing the trigger will result in maximum speed and power, but shorter runtime.
- ◆ To switch the trimmer off, release both the trigger and the lock off button.

Warning! Never attempt to lock the on/off button in the on position.

Operating the trimmer

- ◆ With the unit on, angle unit and slowly swing the trimmer side to side as shown in (Fig.M).
- ◆ Maintain a cutting angle of 5° to 10° as shown in figure M1. Do not exceed 10° (Fig.M2). Cut with the tip of the line. To keep distance from hard surfaces use edge guide (10). Pull the guide out until it snaps securely into place
- ◆ Maintain a minimum distance of 60cm between the guard and your feet as shown in (Fig.M3). To achieve this distance adjust the overall height of the trimmer as shown in (Fig.H).

Setting Trimming or Edging Mode (Fig.I, J and K)

- ◆ The trimmer can be used in trimming mode as shown in (Fig.I) or in edging mode to trim overhanging grass along lawn edges and flower beds as shown in (Fig.K).

Trimming Mode (Fig.I and J)

For trimming mode, the trimmer head should be in the position shown in figure I. If it is not:

- ◆ Remove the battery from the trimmer.
- ◆ Press and hold the head release button (9).
- ◆ While holding the auxiliary handle (6), rotate the head (8) clockwise.
- ◆ Release the head release button.
- ◆ Lift the edge guide (10) into the closed position.

Edging Mode (Fig.K)

Warning! When being used as an edger, stones, pieces of metal and other objects can be thrown out at high speed by the line. The trimmer and guard are designed to reduce the danger, however make sure that other persons and pets are at least 30 metres away. For edging, the trimmer head should be in the position shown in (Fig.K). If it is not:

- ◆ Remove the battery from the trimmer.
- ◆ Press and hold the head-release button (9) as shown in (Fig. K).
- ◆ While holding the auxiliary handle (6), rotate the head (8) counterclockwise.
- ◆ Release the head-release button.
- ◆ Drop the edge guide (10) in to the open position. Ensure that the guide is all the way down, an audible click will be heard.

Note: The head will only rotate in one direction.

Warning! Do not use the trimmer to create edges or trenches.

- ◆ Guide the trimmer as shown in (Fig.N).
- ◆ To make a closer cut, slightly tilt the trimmer.

Hints for optimum use

- ◆ Use the tip of the string to do the cutting; do not force string head into uncut grass.
- ◆ Wire and wooden fences cause extra string wear, even breakage. Stone and brick walls, kerbs and wood will wear string rapidly. Take care to reduce contact with hard surfaces.
- ◆ Do not allow spool cap to drag on ground or other surfaces.
- ◆ In long growth cut from the top down and do not exceed 30cm in height.
- ◆ Keep trimmer tilted toward the area being cut; this is the best cutting angle
- ◆ The trimmer cuts when passing the unit from the right to the left. This will avoid throwing debris at the operator.
- ◆ Avoid trees and shrubs. Tree bark, wood mouldings, siding and fence posts can easily be damaged by the string.

Clearing Jams and Tangled Line Fig.O, P, Q

Warning! Remove the battery from the trimmer before making any assembly adjustments or changing accessories. Such preventive safety measurements reduce the risk of starting the appliance accidentally. From time to time, especially when cutting thick or stalky weeds, the line feeding hub may become clogged with sap or other material and the line will become jammed as a result. To clear the jam follow the steps below.

- ◆ Press the release tabs on the line spool cap as shown in (Fig.O) and remove the cap by pulling it straight off.
- ◆ Pull the nylon line spool out and clear any broken line or debris from the spool area.
- ◆ Place spool and line into spool cap with line "parked" in slots provided as shown in (Fig.P1).
- ◆ Insert the line end through the appropriate hole in the spool cap. Pull slack line through until it pulls out of the holding slots as shown in (Fig.P2).
- ◆ Press the spool down gently and rotate it until you feel it drop into place. When in place the spool will turn a few degrees left and right freely.
- ◆ Take care to keep the line from becoming trapped under the spool
- ◆ Align the spool caps tabs with the slots on the spool housing (Fig.P).
- ◆ Snap the spool cap back on ensuring the lugs snap into spool housing.

Note: The line should protrude approximately 122mm from the housing.

Replacing the Spool Fig.O, P, Q and R

- ◆ Remove battery from trimmer.
- ◆ Depress the tabs and remove the spool cap from the spool housing on the trimmer head (Fig.O).
- ◆ Grasp empty spool with one hand and spool cap with other hand and pull spool out.
- ◆ Replace spool with BLACK+DECKER model A6482-XJ.
- ◆ Remove any dirt and grass from the spool and spool cap.
- ◆ If lever (R1) in base of spool cap becomes dislodged, replace in correct position before inserting a new spool as shown in (Fig.R).
- ◆ Unfasten the end of the cutting line and guide the line into the eyelet (P2).
- ◆ Press the spool gently into the spool cap and rotate it until you feel it drop into place. Then push to snap into place. When in place the spool will turn a few degrees left and right freely.
- ◆ Take care to ensure that the line does not become trapped under the spool.
- ◆ Align the spool cap tabs with the slots on the spool housing (fig Q).
- ◆ Snap the spool cap back on ensuring the lugs snap into spool housing.

Note: The line should protrude approximately 122mm from the housing.

Rewinding spool from bulk line (use only 2.0mm ROUND diameter line) (Fig.S)

Bulk line is also available for purchase from your local retailer. To install bulk line, follow the steps below:

- ◆ Remove battery from trimmer.

- ◆ Remove the empty spool from the trimmer as described in "Replacing the spool".
- ◆ Remove any remaining cutting line from the spool.
- ◆ Make a fold at the end of the cutting line at about 19mm (S1). Feed the cutting line into one of the line anchoring slots (S3).
- ◆ Make sure the line is pulled tight against the spool and begin to wind the cutting line onto the spool in the direction of the arrow on the spool
- ◆ Make sure to wind the line on neatly and in layers. Do not crisscross (Fig.T).
- ◆ When the wound cutting line reaches the recesses (S4), the spool is full.
- ◆ Locate line into 'parked' slot provided (Fig.P1). Cut line from bulk reel.
- ◆ Fit the spool onto the trimmer as described in "Replacing the spool" figures O,P,Q and R.

NOTE: Hand wound spools from bulk line are likely to become tangled more frequently than BLACK+DECKER factory wound spools. For best results, factory wound spools are recommended.

Replacement spools:

#A6486-XJ (3pcs SA spool and line)

#A6482-XJ (1pcs SA spool and line)

Auto Feed System (AFS)

The string trimmer is fitted with AFS spool, which will detect when the string breaks and re-feed automatically. Do not bump or pull the string. If the AFS is not feeding properly, remove spool and check the wire is wound correctly and re-insert into tool.

Maintenance

Your BLACK+DECKER corded/cordless appliance/tool has been designed to operate over a long period of time with a minimum of maintenance. Continuous satisfactory operation depends upon proper tool/appliance care and regular cleaning.

Your charger does not require any maintenance apart from regular cleaning.

Warning! Before performing any maintenance on corded/cordless power tools:

- ◆ Switch off and unplug the appliance/tool.
- ◆ Or switch off and remove the battery from the appliance/tool if the appliance/tool has a separate battery pack.
- ◆ Or run the battery down completely if it is integral and then switch off.
- ◆ Unplug the charger before cleaning it. Your charger does not require any maintenance apart from regular cleaning.
- ◆ Regularly clean the ventilation slots in your tool/appliance and charger using a soft brush or dry cloth.
- ◆ Regularly clean the motor housing using a damp cloth. Do not use any abrasive or solvent-based cleaner.
- ◆ Regularly clean the cutting line and spool using a soft brush or dry cloth.
- ◆ Regularly use a blunt scraper to remove grass and dirt from the underneath of the guard.

Troubleshooting

| Problem | Solution |
|--------------------------------------------|--------------------------------------------------------------------------------------------------------------------------------------------------------------------------------------------------------------------------------------------------------------------------------------------------------------------------------------------------------------------------------------------------------------------------------------------------------------------------------------------------------------------------------------------------------------------------------------------------------------------------------------------------------------------------------------------------------------------------------------------------------------------------------------------------------------------------------------------------------------------------------------------------------------------------------------------------------------------------------------------------------------------------------------------------------------------------------------------------------------------------------------------------------------------------------------------------------------------------------------------------------------------------------------------------------------------------------------------------------------------------------------------------------------------------------------------------------------------|
| Appliance runs slowly. | <p>Fully depress the variable speed trigger. The level of trigger depression affects speed.</p> <p>Remove battery from trimmer</p> <p>Check that the spool housing can rotate freely. Carefully clean it if necessary.</p> <p>Check that the cutting line does not protrude more than approximately 122mm from the spool. If it does, trim it so that it just reaches the line trimming blade.</p> |
| Automatic line feed does not feed line. | <p>More line is fed when the line shortens to approximately 76mm. To determine if the line is not feeding, let line wear past this point.</p> <p>Keep the tabs depressed and remove the spoolcap with the spool from the spool housing in the trimmer head.</p> <p>Ensure that the line is not crisscrossed on the spool as detailed in (Fig.T). If it is unwind the cutting line and rewind it neatly.</p> <p>Inspect tracks at the bottom of spool for damage. If damaged, replace spool.</p> <p>Pull the cutting line until it protrudes approximately 122mm from the spool. If insufficient cutting line is left on the spool, install a new spool of cutting line.</p> <p>Align the tabs on the spool cap with the cut outs in the housing.</p> <p>Push the spool cap onto the housing until it snaps securely into place.</p> <p>If the cutting line protrudes beyond the trimming blade, cut it off so that it just reaches the blade. If the automatic line feed still does not work or the spool is jammed, try the following suggestions: Carefully clean the spool and housing. Make sure you are using correct line size and diameter (2.00 mm) - smaller and larger line sizes will affect the functionality of the auto feed system.</p> <p>Remove the spool and check if the lever in the spool housing can move freely.</p> <p>Remove the spool and unwind the cutting line, then wind it on neatly again. Replace the spool into the housing.</p> |
| Overfeeding | <p>Ensure you are cutting with the tip of the line 177mm from the spool. Use the edge guide if needed to ensure proper space is maintained.</p> <p>Ensure you are not exceeding a 10° angle as shown in (Fig.M). Avoid contact of the line with hard surfaces such as brick, concrete, wood etc. This will prevent excessive wear and/or overfeed of line. Cut with the tip of the line</p> |
| Line unravels when cap or spool is removed | <p>Make sure to park the lines in holding slots (figure P) before removing.</p> |

Protecting the environment



Separate collection. This product must not be disposed of with normal household waste.

Should you find one day that your BLACK+DECKER product needs replacement, or if it is of no further use to you, do not dispose of it with household waste. Make this product available for separate collection.



Separate collection of used products and packaging allows materials to be recycled and used again. Re-use of recycled materials helps prevent environmental pollution and reduces the demand for raw materials.

Local regulations may provide for separate collection of electrical products from the household, at municipal waste sites or by the retailer when you purchase a new product.

BLACK+DECKER provides a facility for the collection and recycling of BLACK+DECKER products once they have reached the end of their working life. To take advantage of this service please return your product to any authorised repair agent who will collect them on our behalf.

You can check the location of your nearest authorised repair agent by contacting your local BLACK+DECKER office at the address indicated in this manual. Alternatively, a list of authorised BLACK+DECKER repair agents and full details of our after-sales service and contacts are available on the Internet at: www.2helpU.com

Batteries



At the end of their useful life, discard batteries with due care for our environment:

- ◆ Run the battery down completely, then remove it from the tool.
- ◆ NiCd, NiMH and Li-Ion batteries are recyclable. Place the battery(s) in a suitable packaging to ensure that the terminals cannot be short-circuited. Take them to any authorised repair agent or a local recycling station.
- ◆ Do not short-circuit the battery terminals.
- ◆ Do not dispose of the battery(s) in a fire as this may result in a risk of personal injury or an Explosion.

Technical data

| | | |
|---------------|-------------------|-----------------|
| | | STB3620L H 1 |
| Input Voltage | V _{ac} | 36V |
| No-Load Speed | min ⁻¹ | 0 - 7200/min |
| Weight | kg | 3.4kg |

| | | |
|----------|-----------------|--------|
| Battery | | BL2036 |
| Voltage | V _{cc} | 36V |
| Capacity | Ah | 2.0Ah |
| Type | | Li-Ion |

| | | |
|----------------|-----------------|------------------------------|
| Charger | | LCS36 Type 1 |
| Input Voltage | V _{ac} | 220 - 240V |
| Output Voltage | V _{cc} | 36V |
| Current | mA A | Input: 600mA Output: 1,3A |

Hand/arm weighted vibration value according to EN 50636-2-91:

$$= < 2,5 \text{ m/s}^2, \text{ uncertainty (K) = } 1,5 \text{ m/s}^2.$$

$$L_{w} \text{ (sound pressure) } 75 \text{ dB(A)}$$

$$\text{uncertainty (K) = } 1.5 \text{ dB(A)}$$

EC declaration of conformity

MACHINERY DIRECTIVE
OUTDOOR NOISE DIRECTIVE



STB3620L Cordless String Trimmer

Black & Decker declares that these products described under "technical data" are in compliance with:
2006/42/EC, EN 60335-1:2012 + A11:2014
EN 50636-2-91:2014

2000/14/EC, Lawn Trimmer, L ≤ 50 cm, Annex VIII
DEKRA Certification B.V., Utrechtseweg 310,
6802 ED Arnhem, The Netherlands
Notified Body ID No.: 0344

Level of acoustic power according to 2000/14/EC

(Article 12, Annex III, $L \leq 50$ cm):
 L_m (measured sound power) 95 dB(A)
uncertainty (K) = 1.5 dB(A)
 L_m (guaranteed sound power) 96 dB(A)

These products also comply with Directive 2014/108/EC (until 19.04.2016), 2014/30/EU (from 20.04.2016) and 2011/65/EU.

For more information, please contact Black & Decker at the following address or refer to the back of the manual.

The undersigned is responsible for compilation of the technical file and makes this declaration on behalf of Black & Decker.



R. Laverick
Engineering Manager
Black & Decker Europe, 210 Bath Road, Slough,
Berkshire, SL1 3YD
United Kingdom
06/08/2015

Guarantee

Black & Decker is confident of the quality of its products and offers an outstanding guarantee. This guarantee statement is in addition to and in no way prejudices your statutory rights. The guarantee is valid within the territories of the Member States of the European Union and the European Free Trade Area.

If a Black & Decker product becomes defective due to faulty materials, workmanship or lack of conformity, within 24 months from the date of purchase, Black & Decker guarantees to replace defective parts, repair products subjected to fair wear and tear or replace such products to ensure minimum inconvenience to the customer unless:

- ◆ The product has been used for trade, professional or hire purposes;
- ◆ The product has been subjected to misuse or neglect;
- ◆ The product has sustained damage through foreign objects, substances or accidents;
- ◆ Repairs have been attempted by persons other than authorised repair agents or Black & Decker service staff.

To claim on the guarantee, you will need to submit proof of purchase to the seller or an authorised repair agent. You can check the location of your nearest authorised repair agent by contacting your local Black & Decker office at the address indicated in this manual. Alternatively, a list of authorised Black & Decker repair agents and full details of our after-sales service and contacts are available on the Internet at: www.2helpU.com

Please visit our website www.blackanddecker.co.uk to register your new BLACK+DECKER product and to be kept up to date on new products and special offers. Further information on the BLACK+DECKER brand and our range of products is available at www.blackanddecker.co.uk

Bestimmungsgemäße Verwendung

Ihr BLACK+DECKER Rasentrimmer wurde für das Trimmen und Zuschneiden von Rasenkanten sowie für das Schneiden von Gras in beengten Platzverhältnissen entwickelt. Dieses Gerät ist nicht für den gewerblichen Einsatz vorgesehen.

Sicherheitshinweise

Warnung! Beachten Sie beim Umgang mit netzstrombetriebenen Geräten stets die grundlegenden Sicherheitshinweise, die im Folgenden beschrieben werden. Dadurch verhindern Sie Brände, Stromschläge sowie Sach- und Personenschäden.

Warnung! Beachten Sie beim Verwenden des Geräts unbedingt die Sicherheitsregeln. Lesen Sie zu Ihrer eigenen Sicherheit und zum Schutz in der Nähe befindlicher Personen vor Gebrauch des Geräts die folgende Bedienungsanleitung. Heben Sie diese Anleitung zur späteren Verwendung gut auf.

- ◆ Lesen Sie diese Anleitung vollständig und aufmerksam durch, bevor Sie das Gerät verwenden.
- ◆ Der Verwendungszweck ist in dieser Anleitung beschrieben. Bei Verwendung von Zubehör oder Anbauteilen, die nicht in dieser Anleitung empfohlen werden, sowie bei der Verwendung des Geräts in Abweichung von den in dieser Anleitung beschriebenen Verfahren besteht Verletzungsgefahr.
- ◆ Bewahren Sie diese Anleitung auf.

Verwendung des Geräts

Verwenden Sie das Gerät stets mit Umsicht.

- ◆ Tragen Sie stets eine Schutzbrille.
- ◆ Das Gerät darf nicht von Kindern und Personen genutzt werden, die die vorliegenden Anleitungen nicht gelesen haben.
- ◆ Achten Sie darauf, dass sich im

Arbeitsbereich keine Kinder oder Tiere aufhalten. Verhindern Sie, dass Kinder das Gerät oder das Netzkabel berühren.

- ◆ Seien Sie besonders vorsichtig, wenn Sie das Gerät in der Nähe von Kindern verwenden.
- ◆ Das Gerät ist nicht für die unbeaufsichtigte Verwendung durch Kinder oder gebrechliche Personen vorgesehen.
- ◆ Das Gerät ist kein Spielzeug.
- ◆ Betreiben Sie das Gerät nur bei Tageslicht oder bei ausreichender Beleuchtung.
- ◆ Verwenden Sie das Gerät nur in trockener Umgebung. Achten Sie darauf, dass das Gerät nicht nass wird.
- ◆ Verwenden Sie das Gerät nicht unter schlechten Wetterbedingungen, insbesondere wenn ein Blitzschlagrisiko besteht.
- ◆ Tauchen Sie das Gerät nicht in Wasser.
- ◆ Versuchen Sie nicht, das Gehäuse zu öffnen. Im Inneren befinden sich keine zu wartenden Teile.
- ◆ Betreiben Sie das Gerät nicht in explosionsgefährdeter Umgebung, in der sich brennbare Flüssigkeiten, Gase oder Staub befinden.
- ◆ Ziehen Sie niemals am Kabel, wenn Sie den Stecker aus der Steckdose ziehen möchten. Kabel und Stecker könnten sonst beschädigt werden.
- ◆ Das Gerät darf nur mit dem im Lieferumfang enthaltenen Netzteil betrieben werden.

Sicherheit anderer Personen

- ◆ Dieses Gerät darf von Kindern ab 8 Jahren und Personen mit eingeschränkten körperlichen, sensorischen oder geistigen Fähigkeiten sowie mangelnder Erfahrung und Wissen in Bezug auf dessen Gebrauch bedient werden, wenn sie bei der Verwendung des Geräts beaufsichtigt oder angeleitet werden und die möglichen Gefahren verstehen. Kinder dürfen nicht mit dem Gerät spielen. Reinigung und Wartungsarbeiten dürfen von Kindern nur unter Aufsicht durchgeführt werden.
- ◆ Kinder müssen beaufsichtigt werden, um sicherzustellen, dass sie nicht mit dem Gerät spielen.

Restrisiken.

Beim Gebrauch dieses Geräts verbleiben zusätzliche Restrisiken, die möglicherweise nicht in den Sicherheitswarnungen genannt werden. Diese Risiken bestehen beispielsweise bei Missbrauch oder längerem Gebrauch. Auch bei der Einhaltung der entsprechenden Sicherheitsvorschriften und der Verwendung aller Sicherheitsgeräte bestehen weiterhin bestimmte Restrisiken. Diese werden im Folgenden aufgeführt:

- ◆ Verletzungen, die durch das Berühren von sich drehenden/bewegenden Teilen verursacht werden.
- ◆ Verletzungen, die durch das Austauschen von Teilen, Messern oder Zubehör verursacht werden.
- ◆ Verletzungen, die durch längeren Gebrauch eines Geräts verursacht werden.

Legen Sie bei längerem Gebrauch regelmäßige Pausen ein.

- ◆ Beeinträchtigung des Gehörs.
- ◆ Gesundheitsrisiken durch das Einatmen von Staub beim Verwenden des Geräts (beispielsweise bei Holzarbeiten, insbesondere Eiche, Buche und Pressspan).

Nach dem Gebrauch

- ◆ Bewahren Sie das Gerät bei Nichtgebrauch an einem trockenen, gut belüfteten Ort außerhalb der Reichweite von Kindern auf.
- ◆ Kinder sollten keinen Zugang zu aufbewahrten Geräten haben.
- ◆ Wenn das Gerät in einem Fahrzeug transportiert oder gelagert wird, bewahren Sie es im Kofferraum oder einer geeigneten Ablage auf, damit es bei plötzlichen Geschwindigkeits- oder Richtungsänderungen nicht in Bewegung geraten kann.

Inspektion und Reparaturen

- ◆ Prüfen Sie das Gerät vor der Verwendung auf beschädigte oder defekte Teile. Prüfen Sie, ob Teile beschädigt sind oder andere Bedingungen vorliegen, die die Funktion beeinträchtigen können.
- ◆ Verwenden Sie das Gerät nicht, wenn Teile beschädigt oder fehlerhaft sind.
- ◆ Lassen Sie beschädigte oder defekte Teile in einer Vertragswerkstatt reparieren oder austauschen.
- ◆ Ersetzen oder entfernen Sie keine Teile, für die in dieser Anleitung keine entsprechende Beschreibung enthalten ist.

Zusätzliche Sicherheitshinweise für Rasentrimmer

Warnung! Die Schneidevorrichtung rotiert nach Abschalten des Geräts einige Sekunden lang weiter.

- ◆ Machen Sie sich mit den Bedienelementen und dem ordnungsgemäßen Gebrauch des Geräts vertraut.
- ◆ Prüfen Sie vor der Inbetriebnahme Netz- und Verlängerungskabel auf Beschädigungen und Verschleiß. Trennen Sie das Gerät sofort vom Stromnetz, wenn ein Kabel während des Betriebs beschädigt wird. **BERÜHREN SIE DAS KABEL NICHT, SOLANGE DER STECKER NOCH IN DER NETZSTECKDOSE STECKT.**
- ◆ Nehmen Sie den Akku immer aus dem Gerät, wenn dieses unbeaufsichtigt ist, bevor Sie versuchen, eine Blockade zu beheben, vor Reinigungs- und Wartungsarbeiten, wenn Sie ein Fremdobjekt getroffen haben oder wenn das Gerät anfängt, abnormal zu vibrieren.
- ◆ Verwenden Sie das Gerät nicht, wenn die Kabel beschädigt oder abgenutzt sind.
- ◆ Tragen Sie stabile Schuhe oder Stiefel, um Ihre Füße zu schützen.
- ◆ Tragen Sie lange Hosen, um Ihre Beine zu schützen.
- ◆ Vergewissern Sie sich vor Verwenden des Geräts, dass die zu beschneidende Fläche frei von Ästen, Steinen, Draht und anderen Objekten ist.
- ◆ Verwenden Sie das Gerät ausschließlich in aufrechter Stellung und mit Schneidfaden in Bodennähe. Schalten Sie das Gerät keinesfalls in einer anderen Stellung ein.
- ◆ Achten Sie bei Verwendung des Geräts auf langsame Bewegungen. Bedenken Sie, dass frisch gemähtes Gras feucht und rutschig sein kann.
- ◆ Arbeiten Sie nie an steilen Hängen. Schieben Sie das Gerät immer parallel zum Hang, nie den Hang hinauf oder hinunter.
- ◆ Schalten Sie das Gerät vor dem Überqueren von Kieswegen und Straßen aus.
- ◆ Berühren Sie niemals den Schneidfaden, während sich das Gerät in Betrieb befindet.
- ◆ Warten Sie stets, bis der Schneidfaden vollständig zum Stillstand gekommen ist, bevor Sie das Gerät absetzen.
- ◆ Verwenden Sie ausschließlich geeignete Schneidfäden. Verwenden Sie keinesfalls Schneidfäden aus Metall oder Angelschnur.
- ◆ Berühren Sie auf keinen Fall das Fadenschneidmesser.
- ◆ Achten Sie darauf, dass das Stromkabel nicht in die Nähe des Schneidfadens gerät. Achten Sie stets auf die Lage des Stromkabels.
- ◆ Halten Sie Hände und Füße stets vom Schneidfaden fern, insbesondere beim Einschalten des Geräts.
- ◆ Überprüfen Sie das Gerät vor Gebrauch und nach Stößen auf Beschädigungen und Verschleiß, und veranlassen Sie notwendige Reparaturmaßnahmen.
- ◆ Betreiben Sie keinesfalls das Gerät, wenn die Schutzvorrichtungen beschädigt oder nicht ordnungsgemäß angebracht sind.
- ◆ Schützen Sie sich vor Verletzungen beim Verwenden von Geräten zum Verkürzen des Schneidfadens.

Bringen Sie nach Herausziehen des neuen Schneidfadens das Gerät vor dem Einschalten in die normale Betriebsposition.

- ◆ Stellen Sie stets sicher, dass die Lüftungsschlitze frei von Verschmutzungen sind.
- ◆ Verwenden Sie den Rasentrimmer (Kantentrimmer) nicht, wenn die Kabel beschädigt oder abgenutzt sind.
- ◆ Halten Sie Verlängerungskabel von der Schneidevorrichtung fern.

Zusätzliche Sicherheitshinweise für Akkus und Ladegeräte

Akkus

- ◆ Auf keinen Fall öffnen.
- ◆ Achten Sie darauf, dass der Akku nicht mit Wasser in Berührung kommt.
- ◆ Nicht bei Temperaturen über 40 °C lagern.
- ◆ Laden Sie den Akku nur bei Umgebungstemperaturen von 10 °C bis 40 °C auf.
- ◆ Verwenden Sie ausschließlich das mitgelieferte Ladegerät.
- ◆ Beachten Sie zur Entsorgung von Akkus oder Batterien die Hinweise im Abschnitt „Umweltschutz“.

Ladegeräte

- ◆ Verwenden Sie das BLACK+DECKER Ladegerät nur für den Akku des Werkzeugs, mit dem es geliefert wurde. Andere Akkus können platzen und Sachschäden oder Verletzungen verursachen.
- ◆ Versuchen Sie keinesfalls, nicht aufladbare Batterien zu laden.
- ◆ Lassen Sie beschädigte Kabel sofort austauschen.

- ◆ Achten Sie darauf, dass das Ladegerät nicht mit Wasser in Berührung kommt.
- ◆ Versuchen Sie nicht, das Ladegerät zu öffnen.
- ◆ Nehmen Sie am Ladegerät keine Veränderungen vor.



Das Ladegerät darf nur im Innenbereich verwendet werden.



Lesen Sie vor Gebrauch die Anleitung.

Elektrische Sicherheit



Das Ladegerät ist schutzisoliert, daher ist keine Erdleitung erforderlich. Stellen Sie sicher, dass die Netzspannung der auf dem Typenschild des Geräts angegebenen Spannung entspricht. Ersetzen Sie das Ladegerät keinesfalls durch ein normales Netzkabel.

- ◆ Bei einer Beschädigung des Netzkabels muss dieses durch den Hersteller oder eine BLACK+DECKER Vertragswerkstatt ausgetauscht werden, um mögliche Gefahren zu vermeiden.

Warnsymbole am Gerät

Am Gerät sind die folgenden Warnsymbole inkl. Datumscode angebracht:



Lesen Sie vor Inbetriebnahme die Bedienungsanleitung.



Tragen Sie eine Schutzbrille, wenn Sie mit dem Gerät arbeiten.



Tragen Sie einen geeigneten Gehörschutz, wenn Sie mit dem Gerät arbeiten.



Nehmen Sie den Akku immer aus dem Gerät, bevor Sie Reinigungs- oder Wartungsarbeiten beginnen.



Achten Sie auf Gegenstände, die eventuell umhergeschleudert werden. Halten Sie andere Personen vom Arbeitsbereich fern.



Schützen Sie das Gerät vor Feuchtigkeit und Regen.



Garantierter Schalldruckpegel, gemessen nach Richtlinie 2000/14/EG.

Merkmale

Dieses Gerät verfügt über einige oder alle der folgenden Merkmale:

1. Schalter mit variabler Geschwindigkeitsverstellung
2. Griff
3. Einschaltsperr
4. Batterie
5. Ladeanzeige
6. Zusatzgriff
7. Sicherungsklemme der Höheneinstellung
8. Trimmerkopf
9. Kopfdrehtaste
10. Schnittführung
11. Schutzvorrichtung
12. Spulengehäuse
13. Spulendeckel

Montage

Warnung! Vergewissern Sie sich vor der Montage, dass das Gerät ausgeschaltet ist und der Akku entfernt wurde.

Anbringen der Schutzvorrichtung (Abb. D und E)

- ◆ Entfernen Sie die Schraube von der Schutzvorrichtung.
- ◆ Halten Sie die Schutzvorrichtung senkrecht zum Schneidkopf und schieben Sie sie ganz auf, bis die Haltetasche klickt. Vergewissern Sie sich, dass die Führungsschienen (D1) an der Schutzvorrichtung (11) korrekt mit den Führungsschienen (D2) am Schneidkopf (D3) ausgerichtet sind (Abbildung D). Die Sicherungslasche (D4) muss im Schlitz des Gehäuses (D5) eingerastet sein.
- ◆ Sichern Sie die Schutzvorrichtung mit der Schraube (E1) (Abbildung E).

Warnung! Verwenden Sie das Gerät ausschließlich mit ordnungsgemäß angebrachter Schutzvorrichtung.

Anbringen des Zusatzgriffs (Abb. F)

- ◆ Drücken Sie den Zusatzgriff (3) auf die Stange (10).
- ◆ Schieben Sie den Bolzen (11) in das Sechskantloch im Griff, bis er an der gegenüberliegenden Seite austritt.

- ◆ Ziehen Sie den Knopf (12) am Bolzen im Uhrzeigersinn fest.

Warnung! Vergewissern Sie sich, dass sich die mittlere Rippe im Schlitz des Rohrs befindet.

Einstellen der Position des Zusatzgriffs (Abb. G)

Der Zusatzgriff (3) lässt sich einstellen, um eine optimale Balance und ein Höchstmaß an Arbeitskomfort zu erzielen.

- ◆ Lösen Sie den Knopf (12) am Bolzen (11), indem Sie diesen entgegen dem Uhrzeigersinn drehen.
- ◆ Schieben Sie den Zusatzgriff vorsichtig an der Stange (10) nach oben bzw. nach unten, bis er sich auf der gewünschten Höhe befindet.
- ◆ Ziehen Sie den Knopf (12) am Bolzen im Uhrzeigersinn fest.

Einstellen der Höhe des Geräts (Abb. H)

Stellen Sie die Länge des Trimmers so ein, dass Sie eine gute Arbeitsposition wie in Abbildung M erreichen.

Dieses Gerät lässt sich mithilfe eines Teleskopauszugs auf eine bequeme Höhe einstellen.

So stellen Sie die Höhe ein:

- ◆ Lösen Sie die Sicherungsklemme (16) der Höheneinstellung.
- ◆ Schieben Sie das Rohr (7) vorsichtig nach oben bzw. nach unten, bis die gewünschte Höhe erreicht ist.
- ◆ Schließen Sie die Sicherungsklemme (16) der Höheneinstellung.

Freigeben des Schneidfadens

Während des Transports ist der Schneidfaden mit Klebeband am Spulengehäuse befestigt.

Warnung! Entfernen Sie vor der Montage den Akku aus dem Gerät.

- ◆ Entfernen Sie das Klebeband, mit dem der Schneidfaden am Spulengehäuse (12) befestigt ist.

Einsetzen und Entfernen des Akkus (Abb. C)

- ◆ Um den Akku (4) einzusetzen, richten Sie ihn an der Aufnahme am Gerät aus. Schieben Sie den Akku in die Aufnahme, bis er in der richtigen Position einrastet.
- ◆ Drücken Sie die Entriegelungstaste, und schieben Sie gleichzeitig den Akku aus dem Akkufach, um diesen zu entfernen.

Gebrauch

Warnung! Beschleunigen Sie den Arbeitsvorgang nicht mit Gewalt. Vermeiden Sie eine Überlastung des Geräts.

Laden des Akkus

Der Akku muss vor der erstmaligen Benutzung sowie immer dann aufgeladen werden, wenn das Gerät nicht mehr mit voller Leistung arbeitet. Während des Ladevorgangs kann der Akku warm werden. Das ist normal.

Warnung! Laden Sie den Akku nicht, wenn die Umgebungstemperatur unter 10 °C oder über 40 °C liegt. Empfohlene Ladetemperatur: etwa 24 °C.

Hinweis: Ein Akku, bei dem die Temperatur der Batteriezellen unter ca. 10 °C oder über 40 °C liegt, wird vom Ladegerät nicht geladen.

Lassen Sie in diesem Fall den Akku im Ladegerät. Das Ladegerät beginnt automatisch mit dem Ladevorgang, sobald sich die Zellen erwärmt bzw. abgekühlt haben.

- ◆ Stecken Sie das Ladegerät in eine geeignete Steckdose ein, bevor Sie den Akku einsetzen.
- ◆ Setzen Sie den Akku (8) in das Ladegerät ein.



Die grüne LED-Leuchte (9) beginnt zu blinken und zeigt an, dass der Akku geladen wird.



Der Abschluss des Ladevorgangs wird dadurch angezeigt, dass das grüne Licht dauerhaft leuchtet. Der Akku ist vollständig aufgeladen und kann jetzt verwendet oder in der Ladestation gelassen werden.

Warnung! Laden Sie entladene Akkus so schnell wie möglich nach Gebrauch wieder auf. Andernfalls kann sich die Lebensdauer der Akkus deutlich verringern.

Diagnose des Ladegeräts

Dieses Ladegerät ist so konzipiert, dass es gewisse Probleme erkennt, die sich mit den Akkupacks oder der Spannungsversorgung ergeben können. Probleme werden durch eine LED angezeigt, die in unterschiedlichen Mustern blinkt.

Schlechter Akku



Das Ladegerät kann einen schwachen oder beschädigten Akku erkennen. Die rote LED blinkt in den auf dem Etikett angegebenen Mustern. Setzen Sie das Laden eines Akkus nicht fort, wenn Sie dieses Blinkmuster für einen schlechten Akku erkennen. Bringen Sie den Akku zu einem Kundendienstzentrum oder zu einer Sammelstelle für Recycling.

Verzögerung heißer/kalter Akku.



Wenn das Ladegerät einen Akku erkennt, der übermäßig heiß oder kalt ist, startet es automatische eine Verzögerung für heiße/kalte Akkus und setzt den Ladevorgang aus, bis der Akku eine normale Temperatur erreicht hat. Nachdem dies erfolgt ist, schaltet das Ladegerät automatisch in den Lademodus. Diese Funktion gewährleistet maximale Akkulebensdauer. Die rote LED blinkt im auf dem Etikett angezeigten Muster, wenn die Verzögerung für heiße/kalte Akkus erkannt wird.

Belassen des Akkus im Ladegerät

Sie können den Akku auch im Ladegerät belassen. In diesem Fall leuchtet die LED-Anzeige dauerhaft. Das Ladegerät hält den Akku in einem vollständig geladenen Zustand.

Ladestandanzeige

Der Akku verfügt über eine Ladestandanzeige. Mithilfe dieser Anzeige kann während der Verwendung und während des Ladevorgangs der aktuelle Ladestand des Akkus überprüft werden. Sie zeigt nicht die Funktionalität des Gerätes an. Je nach Komponenten des Produkts, Temperatur und Anwendung des Endnutzers können sich Variationen ergeben.

Prüfung der Akkulation beim Gebrauch:

- ◆ Drücken Sie die Taste der Ladestatusanzeige (A1).
- ◆ Die vier LEDs (A2) leuchten, um den Ladezustand des Akkus in Prozent anzuzeigen (Abb. A.)
- ◆ Falls die LED nicht aufleuchtet, laden Sie den Akku auf.

Ein- und Ausschalten

- ◆ Um den Trimmer einzuschalten, drücken und halten Sie die Einschaltsperr (3).
- ◆ Drücken Sie den Schalter mit variabler Geschwindigkeitsverstellung nach unten (1). Geschwindigkeit, Leistung und Laufzeit des Trimmers hängen davon ab, wie weit Sie den Schalter drücken. Leichtes Drücken des Schalters resultiert in geringerer Geschwindigkeit und Leistung, aber die Laufzeit erhöht sich. Wenn Sie den Schalter ganz durchdrücken, ergibt sich die maximale Geschwindigkeit und Leistung, aber die Laufzeit verkürzt sich.
- ◆ Um den Trimmer auszuschalten, lassen Sie die Einschaltsperr los.

Warnung! Versuchen Sie niemals, den Ein-/Ausschalter in der Einschaltstellung zu arretieren.

Betreiben des Trimmers

- ◆ Halten Sie das eingeschaltete Gerät im entsprechenden Winkel und bewegen Sie den Trimmer langsam von einer Seite zur anderen (s. Abbildung I).
- ◆ Halten Sie einen Winkel zwischen 5° und 10° ein (s. Abbildung I1). Der Winkel darf nicht spitzer als 10° sein (s. Abbildung I2). Schneiden Sie mit der Spitze des Schneidfadens. Halten Sie mithilfe des Schnittführungsgrads (7) Abstand von harten Oberflächen. Ziehen Sie die Führung heraus, bis sie sicher in ihrer Position einrastet.
- ◆ Halten Sie zwischen Ihren Füßen und der Schutzvorrichtung einen Mindestabstand von 60 cm ein (Abbildung M3). Richten Sie die Gesamthöhe des Trimmers wie in Abbildung H dargestellt so ein, dass Sie diesen Abstand einhalten können.

Einstellen des Trimm- oder Kantenmodus (Abb. I, J und K)

- ◆ Das Gerät verfügt über einen Trimm- (Abb. I) und einen Kantenmodus (Abb. J) zum Schneiden von überhängenden Gräsern an Rasenkanten und Blumenbeeten.

Trimm-Modus (Abb.I und J)

Zum Trimmen muss sich der Kopf des Trimmers in der in Abb. I dargestellten Position befinden. Gehen Sie folgendermaßen vor, wenn dies nicht der Fall ist:

- ◆ Entfernen Sie den Akku aus dem Trimmer.
- ◆ Halten Sie die Kopftriegelungstaste gedrückt.
- ◆ Halten Sie den Zusatzgriff (3) fest und drehen Sie den Kopf (6) entgegen dem Uhrzeigersinn.
- ◆ Lassen Sie die Kopftriegelungstaste los.
- ◆ Ziehen Sie die Schnittführung in die geschlossene Position.

Kantenmodus (Abb. J)

Warnung! Beim Bearbeiten von Kanten können Steine, Metallteile und andere Objekte vom Schneidfaden mit hoher Geschwindigkeit fortgeschleudert werden. Der Trimmer und die Schutzvorrichtung sind so konzipiert, dass die Gefahr reduziert wird. Stellen Sie dennoch sicher, dass andere Personen und Tiere mindestens 30 Meter entfernt sind. Zum Arbeiten im Kantenmodus muss sich der Kopf des Trimmers in der in Abbildung K dargestellten Position befinden. Gehen Sie folgendermaßen vor, wenn dies nicht der Fall ist:

- ◆ Entfernen Sie den Akku aus dem Trimmer.
- ◆ Halten Sie die Kopftriegelungstaste (14) gedrückt (s. Abbildung J).
- ◆ Halten Sie den Zusatzgriff (3) fest und drehen Sie den Kopf (6) entgegen dem Uhrzeigersinn.
- ◆ Lassen Sie die Kopftriegelungstaste los.
- ◆ Ziehen Sie die Schnittführung in die geöffnete Position. Die Schnittführung rastet hörbar ein, sobald sie sich in der richtigen Position befindet.

Hinweis: Der Kopf lässt sich nur in eine Richtung drehen.

Warnung! Verwenden Sie den Trimmer nicht, um Kanten oder Furchen zu erstellen.

- ◆ Führen Sie den Trimmer wie in (Abb.N) gezeigt.
- ◆ Neigen Sie den Trimmer leicht, um einen kürzeren Beschnitt zu erzielen.

Hinweise für optimale Arbeitsergebnisse

- ◆ Schneiden Sie mit der Spitze des Schneidfadens. drücken Sie den Schneidkopf nicht in ungeschnittenes Gras.
- ◆ Draht- und Holzzäune verursachen erhöhten Verschleiß des Schneidfadens, der Schneidfaden kann sogar brechen. Stein- und Ziegelwände, Randsteine und Holz nutzen den Schneidfaden sehr schnell ab. Achten Sie darauf, den Kontakt mit harten Oberflächen zu reduzieren.
- ◆ Lassen Sie die Spulenabdeckung nicht auf den Boden oder gegen andere harte Oberflächen ziehen.
- ◆ Schneiden Sie bei hohem Gras von oben nach unten und schneiden Sie nicht mehr als 30 cm.
- ◆ Halten Sie den Trimmer in Richtung der zu schneidenden Fläche geneigt. Die ist der beste Schnittwinkel.
- ◆ Der Trimmer schneidet, wenn das Gerät von rechts nach links bewegt wird. So wird vermieden, dass Schmutz in Richtung des Bedieners geschleudert wird.

- ◆ Vermeiden Sie Bäume und Sträucher. Baumrinde, Holzprofileisten, Wandverkleidungen und Zaunpfosten können vom Schneidfaden leicht beschädigt werden.

Beheben eines blockierten oder verwickelten Schneidfadens Abb. O, P, Q

Warnung! Entnehmen Sie den Akku aus dem Trimmer, bevor Sie Einstellungen am Trimmer vornehmen oder Zubehörteile wechseln. Diese Vorsichtsmaßnahmen verhindern den unbeabsichtigten Start des Geräts. Von Zeit zu Zeit, insbesondere beim Schneiden von starkem oder holzigem Unkraut, kann die Schneidfadenzuführung mit Pflanzensaft oder anderem Material verstopft werden und in der Folge kann der Schneidfaden blockieren. Befolgen Sie diese Schritte, um einen blockierten Faden zu lösen:

- ◆ Drücken Sie die Freigabelaschen an der Spulenabdeckung, wie in (Abb.O) gezeigt, und nehmen Sie die Kappe ab, indem Sie sie gerade abziehen.
- ◆ Ziehen Sie die Nylonspule heraus und entfernen Sie gerissenen Schneidfaden oder Verschmutzungen aus dem Spulengehäuse.
- ◆ Setzen Sie Spule und Schneidfaden so in die Spulenabdeckung ein, dass sich der Schneidfaden in den dafür vorgesehenen Schlitzen befindet (siehe Abb. P1).
- ◆ Führen Sie das Ende des Schneidfadens durch das entsprechende Loch in der Spulenabdeckung. Ziehen Sie lockeren Schneidfaden durch, bis er aus den Halteschlitzen heraus kommt (siehe Abb. P2).
- u Drücken Sie die Spule leicht nach unten und drehen Sie sie, bis Sie spüren, dass sie einrastet. Wenn sie eingerastet ist, lässt sich die Spule frei etwas nach links und rechts drehen.
- ◆ Achten Sie darauf, dass der Schneidfaden nicht unter der Spule eingeklemmt wird.
- ◆ Richten Sie die Laschen der Spulenabdeckungen mit den Schlitzen am Spulengehäuse aus (Abb.P).
- ◆ Lassen Sie die Spulenabdeckung wieder einrasten, um sicherzustellen, dass die Laschen im Spulengehäuse einrasten.

Hinweis: Der Schneidfaden sollte ungefähr 122 mm aus dem Gehäuse heraus ragen.

Austauschen der Spule Abb.O, P, Q und R

- ◆ Entfernen Sie den Akku aus dem Trimmer.
- ◆ Nehmen Sie bei heruntergedrückten Laschen (15) den Spulendeckel (9) vom Spulengehäuse (16) im Trimmerkopf ab (Abb. M).
- ◆ Halten Sie die leere Spule mit einer Hand und das Spulengehäuse mit der anderen Hand fest und ziehen Sie die Spule heraus.
- ◆ Ersetzen Sie die Spule mit BLACK+DECKER Modell A6482-XJ.
- ◆ Entfernen Sie Verschmutzungen und Gras von der Spule und dem Gehäuse.
- ◆ Wenn der Hebel (R1) unten an der Spulenabdeckung verdrängt wird, setzen Sie ihn wieder in die richtige Position, bevor Sie eine neue Spule einsetzen (siehe Abb. R).
- ◆ Lösen Sie das Ende des Schneidfadens und führen Sie ihn durch die Öse (19) (Abb. O).

- ◆ Drücken Sie die Spule leicht in die Spulenabdeckung und drehen Sie sie, bis Sie spüren, dass sie einrastet. Ziehen Sie anschließend, damit die Spule einrastet. Wenn sie eingerastet ist, lässt sich die Spule frei etwas nach links und rechts drehen.
- ◆ Achten Sie darauf, dass der Schneidfaden nicht unter der Spule eingeklemmt wird.
- ◆ Richten Sie die Laschen der Spulenabdeckungen mit den Schlitzn am Spulengehäuse aus (Abb. Q).
- ◆ Lassen Sie die Spulenabdeckung wieder einrasten, um sicherzustellen, dass die Laschen im Spulengehäuse einrasten.

Hinweis: Der Schneidfaden sollte ungefähr 122 mm aus dem Gehäuse heraus ragen.

Neuaufwickeln der Spule mit Meterware (Verwenden Sie ausschließlich RUNDE Fäden mit 2.0 mm Durchmesser.) (Abb. S)

Schneidfäden als Meterware erhalten Sie ebenfalls bei Ihrem Händler.

Befolgen Sie diese Schritte, um Meterware-Faden aufzuwickeln:

- ◆ Entfernen Sie den Akku aus dem Trimmer.
- ◆ Entnehmen Sie, wie unter "Ersetzen der Spule" beschrieben, die leere Spule aus dem Trimmer.
- ◆ Entfernen Sie alle Schneidfadenreste von der Spule.
- ◆ Knicken Sie etwa 19 mm am Ende des Schneidfadens um (Abb. S1). Führen Sie den Schneidfaden in einen der Fadenhalteschlitz (S3).
- ◆ Vergewissern Sie sich, dass der Schneidfaden fest gegen die Spule gezogen ist und beginnen Sie, den Schneidfaden in der Richtung des Pfeils auf der Spule aufzuwickeln.
- ◆ Achten Sie darauf, dass Sie den Faden in gleichmäßigen Schichten aufwickeln. Vermeiden Sie, den Faden zu überkreuzen (Abb. R).
- ◆ Schneiden Sie den Faden ab, wenn der aufgewickelte Faden die Aussparungen (24) erreicht
- ◆ Setzen Sie den Schneidfaden in den dafür vorgesehenen „Park“-Schlitz ein (Abb. P1). Schneiden Sie den Schneidfaden von der großen Rolle ab.
- ◆ Bringen Sie, wie unter "Ersetzen der Spule" beschrieben, die Spule wieder am Trimmer an.

HINWEIS: Bei handgewickelten Spulen besteht im Gegensatz zu vorgewickelten Spulen von BLACK+DECKER eine höhere Wahrscheinlichkeit, dass sich der Faden verheddert. Gewickelte Spulen. Für beste Ergebnisse wird daher empfohlen, vorgewickelte Spulen zu verwenden.

Austausch-Spulen:

- Nr. A6486-XJ (3 Teile SA Spule und Schneidfaden)
- Nr. A6482-XJ (1 Teil SA Spule und Schneidfaden)

Auto-Zuführungssystem (AFS)

Der Schneidfaden-Trimmer ist mit einer AFS-Spule ausgestattet, die automatisch erkennt, wenn der Schneidfaden bricht und führt ihn automatisch erneut zu. Den Schneidfaden nicht stoßen oder ziehen. Wenn das AFS den Schneidfaden nicht richtig zuführt, entnehmen Sie die Spule, überprüfen Sie, dass der Schneidfaden richtig aufgewickelt ist und setzen Sie die Spule wieder in das Werkzeug ein.

Wartung

Ihr BLACK+DECKER Gerät (mit und ohne Netzkabel) wurde im Hinblick auf eine lange Lebensdauer und einen möglichst geringen Wartungsaufwand entwickelt. Ein dauerhafter, einwandfreier Betrieb setzt eine regelmäßige Pflege und Reinigung voraus.

Das Ladegerät benötigt keine Wartung, es sollte jedoch regelmäßig gereinigt werden.

Warnung! Vor dem Ausführen jeglicher Wartungsarbeiten an Geräten mit und ohne Netzkabel:

- ◆ Schalten Sie das Gerät aus, und ziehen Sie den Netzstecker.
- ◆ Wenn das Gerät über einen separaten Batteriepack oder Akku verfügt, schalten Sie das Gerät ab, und entnehmen Sie die Batterien aus dem Gerät.
- ◆ Wenn der Akku integriert ist, entladen Sie diesen vor dem Abschalten vollständig.
- ◆ Ziehen Sie den Stecker des Ladegeräts, bevor Sie es reinigen. Das Ladegerät benötigt keine Wartung, es sollte jedoch regelmäßig gereinigt werden.
- ◆ Reinigen Sie regelmäßig die Lüftungsschlitze des Geräts und des Ladegeräts mit einer weichen Bürste oder einem trockenen Tuch.
- ◆ Reinigen Sie regelmäßig das Motorgehäuse mit einem feuchten Tuch. Verwenden Sie keine scheuernden Reinigungsmittel oder Reinigungsmittel auf Lösungsmittelbasis.
- ◆ Reinigen Sie regelmäßig den Schneidfaden und die Spule mit Hilfe einer weichen trockenen Bürste oder eines trockenen Tuchs.
- ◆ Entfernen Sie mit einem stumpfen Schaber regelmäßig Gras und Erde von der Unterseite der Schutzvorrichtung.

Problembehebung

| Problem | Lösung |
|-------------------------|---------------------------------------------------------------------------------------------------------------------------------------------------------------------------------------------------------------------------------------------------------------------------------------------------------------------------------------------------------------------------------------------------------------------------------------------------------------------------------------------------------------------------------------------|
| Das Gerät läuft langsam | <p>Drücken Sie den Schalter mit variabler Geschwindigkeitsverstellung nach unten. Die Geschwindigkeit hängt davon ab, wie tief Sie den Schalter drücken.</p> <p>Entfernen Sie den Akku aus dem Trimmer.</p> <p>Vergewissern Sie sich, dass sich das Spulengehäuse frei drehen kann. Reinigen Sie dieses ggf. sorgfältig.</p> <p>Überprüfen Sie, dass der Schneidfaden nicht mehr als ungefähr 122 mm aus der Spule heraus steht. Schneiden Sie ggf. den Schneidfaden so zu, dass dieser lediglich bis an das Fadenschneidmesser reicht.</p> |

| | |
|-----------------------------------------------------------------------------------------|----------------------------------------------------------------------------------------------------------------------------------------------------------------------------------------------------------------------------------------------------------------------------------------------------------------------------------------------------------------------------------------------------------------------------------------------------------------------------------------------------------------------------------------------------------------------------------------------------------------------------------------------------------------------------------------------------------------------------------------------------------------------------------------------------------------------------------------------------------------------------------------------------------------------------------------------------------------------------------------------------------------------------------------------------------------------------------------------------------------------------------------------------------------------------------------------------------------------------------------------------------------------------------------------------------------------------------------------------------------------------------------------------------------------------------------------------------------------------------------------------------------------------------------------------------------------------------------------------------------------------------------------------------------------------------------------------------------------------------------------------------------------------------------------------------------------------------------------------------------------------------------------------------|
| <p>Die automatische Zuführung führt den Schneidfaden nicht zu.</p> | <p>Wenn der Schneidfaden auf ungefähr 76 mm gekürzt ist, wird mehr Schneidfaden zugeführt. Um festzustellen, dass der Schneidfaden nicht zugeführt wird, lassen Sie den Schneidfaden bis über diesen Punkt hinaus abnutzen.</p> <p>Halten Sie die Laschen gedrückt und entfernen Sie die Spulenabdeckung mit der Spule aus dem Spulengehäuse im Schneidkopf.</p> <p>Vergewissern Sie sich, dass der Schneidfaden nicht über Kreuz auf die Spule gewickelt ist (siehe Abb. T). Falls dies der Fall ist, wickeln Sie den Schneidfaden ab und wickeln Sie ihn wieder richtig auf.</p> <p>Untersuchen Sie die Spuren am Boden der Spule auf Beschädigungen. Sollten Beschädigungen vorhanden sein, ersetzen Sie die Spule.</p> <p>Ziehen Sie am Schneidfaden, bis er ungefähr 122 mm aus der Spule heraus steht. Bringen Sie eine neue Spule mit Schneidfaden wie oben angegeben an, wenn der Schneidfaden auf der Spule nicht mehr ausreicht.</p> <p>Richten Sie die Laschen der Spule an den Löchern des Gehäuses aus. Drücken Sie den Deckel auf das Gehäuse, bis dieser sicher einrastet. Schneiden Sie den Schneidfaden ggf. so zu, dass dieser lediglich bis an das Fadenschneidmesser heranreicht. Versuchen Sie folgende Vorgehensweisen, wenn die automatische Zuführung weiterhin nicht funktioniert oder die Spule klemmt: Reinigen Sie sorgfältig Spulendeckel und Gehäuse.</p> <p>Stellen Sie sicher, dass Sie einen Schneidfaden mit richtiger Größe und richtigem Durchmesser (2,00 mm) verwenden – kleinere und größere Schneidfäden wirken sich auf die Funktionalität des Auto-Zuführungssystems aus.</p> <p>Entnehmen Sie die Spule und überprüfen Sie, dass sich der Hebel im Spulengehäuse frei bewegen lässt.</p> <p>Entnehmen Sie die Spule, wickeln Sie den Schneidfaden ab und wickeln Sie ihn anschließend wieder richtig auf. Setzen Sie die Spule wieder in das Gehäuse ein.</p> |
| <p>Erhöhte Zuführung</p> | <p>Stellen Sie sicher, dass Sie mit der Spitze des Schneidfadens mit einem Abstand von 177 mm von der Spule schneiden. Falls erforderlich, verwenden Sie die Kantenführung, um sicherzustellen, dass der richtige Abstand eingehalten wird. Vergewissern Sie sich, dass Sie einen Winkel von ° nicht überschreiten (Abb. M). Vermeiden Sie Kontakt des Schneidfadens mit harten Oberflächen wie zum Beispiel Stein, Beton, Holz usw. So können Sie übermäßigen Verschleiß und erhöhte Zuführung des Schneidfadens vermeiden. Schneiden Sie mit der Spitze des Schneidfadens.</p> |
| <p>Schneidfaden wickelt sich ab, wenn die Abdeckung oder die Spule abgenommen wird.</p> | <p>Stellen Sie sicher, dass Sie den Schneidfaden in den Halteschlitz parken (Abbildung P), bevor Sie ihn entnehmen.</p> |

Umweltschutz



Getrennte Entsorgung. Dieses Produkt darf keinesfalls mit dem Hausmüll entsorgt werden.

Sollten Sie Ihr BLACK+DECKER Produkt eines Tages ersetzen oder nicht mehr benötigen, entsorgen Sie es nicht mit dem Hausmüll. Führen Sie das Produkt einer getrennten Sammlung zu.



Durch die getrennte Sammlung von ausgedienten Produkten und Verpackungsmaterialien können Rohstoffe recycelt und wiederverwendet werden. Die Wiederverwendung aufbereiteter Materialien trägt zur Vermeidung von Umweltverschmutzung bei und senkt den Rohstoffbedarf.

Die Verordnung zur Abfallentsorgung Ihrer Gemeinde sieht möglicherweise vor, dass Elektrogeräte getrennt vom Hausmüll gesammelt, an der örtlichen Abfallentsorgungseinrichtung abgegeben oder beim Kauf eines neuen Produkts vom Fachhandel zur Entsorgung angenommen werden müssen.

BLACK+DECKER nimmt Ihre ausgedienten BLACK+DECKER Geräte gern zurück und sorgt für eine umweltfreundliche Entsorgung bzw. Wiederverwertung. Um diese Dienstleistung in Anspruch zu nehmen, geben Sie das Gerät bitte bei einer autorisierten Reparaturwerkstatt ab, die für uns die Einsammlung übernimmt.

Die Adresse der zuständigen Niederlassung von BLACK+DECKER steht in dieser Anleitung. Dort teilt man Ihnen gerne die nächstgelegene Vertragswerkstatt mit. Eine Liste der Vertragswerkstätten und aller Kundendienststellen von BLACK+DECKER sowie der zuständigen Ansprechpartner finden Sie auch im Internet unter: www.2helpU.com

Akkus



Denken Sie bei der Entsorgung von verbrauchten Akkus an unsere Umwelt.

- ◆ Entladen Sie den Akku vollständig, und entfernen Sie ihn dann aus dem Gerät.
- ◆ NiCd-, NiMH- und Lithium-Ionen-Akkus sind recycelbar. Verpacken Sie die Akkus in einem geeigneten Behälter, sodass die Akkukontakte nicht kurzgeschlossen werden können. Bringen Sie die Batterien oder Akkus zu einer autorisierten Vertragswerkstatt oder zu einer Rücknahmestelle in Ihrer Nähe.
- ◆ Achten Sie darauf, dass die Kontakte nicht kurzgeschlossen werden.
- ◆ Werfen Sie die Akkus nicht ins Feuer, da dies Verletzungen oder eine Explosion zur Folge haben kann.

Technische Daten

| | | |
|------------------|-------------------|------------------------|
| | | STB3620L H 1 |
| Eingangsspannung | V _{ac} | 36 V |
| Leerlaufdrehzahl | min ⁻¹ | 0 - 7.200 U/min |
| Gewicht | kg | 3,4 kg |

| | | |
|-----------|-----------------|---------------|
| Batterie | | BL2036 |
| Spannung | V _{ac} | 36 V |
| Kapazität | Ah | 2,0 Ah |
| Typ | | Lithium-Ionen |

| | | |
|------------------|-----------------|-----------------------------------------------|
| Ladegerät | | LCS36 Typ 1 |
| Eingangsspannung | V _{ac} | 220 - 240 |
| Ausgangsspannung | V _{ac} | 36 V |
| Stromstärke | mA A | Eingang: 600mA Ausgang: 1,3A |

Gewichteter Hand-/Arm-Vibrationswert nach EN 50144:

= < 2,5 m/s, Unsicherheitsfaktor (K) = 1,5 m/s.

L_{wa} (Schalldruck) 75 dB(A)

Unsicherheitsfaktor (K) = 1.5 dB(A)

EG-Konformitätserklärung

MASCHINENRICHTLINIE
AUSSENLAUTSTÄRKERICHTLINIE



STB3620L Kabelloser Rasentrimmer

Black & Decker erklärt, dass die in den technischen Daten beschriebenen Geräte übereinstimmen mit: 2006/42/EG, EN 60745-1:2009 + A11:2010, EN 50636-2-91:2014

2000/14/EG, Rasentrimmer, L ≤ 50 cm, Anhang VIII
DEKRA Certification B.V., Utrechtseweg 310,
6802 ED Arnhem, Niederlande
Gemeldet unter ID Nr.: 0344

Schallpegel gemäß 2000/14/EG (Artikel 12, Anhang III, L ≤ 50 cm):

L_{wa} (gemessene Schalleistung) 95 dB(A)

Unsicherheitsfaktor (K) = 1.5 dB(A)

L_{wa} (garantierte Schalleistung) 96 dB(A)

Diese Produkte entsprechen außerdem den Richtlinien 2004/108/EG (bis 19.4.2016), 2014/30/EU (ab 20.4.2016) und 2011/65/EU.

Weitere Informationen erhalten Sie von Black & Decker unter der folgenden Adresse. Diese befindet sich auch auf der Rückseite dieser Anleitung.

Der Unterzeichnete ist verantwortlich für die Zusammenstellung der technischen Daten und gibt diese Erklärung im Namen von Black & Decker ab.

R. Laverick
Engineering Manager

Black & Decker Europa, 210 Bath Road, Slough,
Berkshire, SL1 3YD
Großbritannien
06/08/2015

Garantie

Black & Decker vertraut auf die Qualität der eigenen Geräte und bietet dem Käufer eine außergewöhnliche Garantie. Diese Garantiezusage versteht sich unbeschadet der gesetzlichen Gewährleistungsansprüche und schränkt diese keinesfalls ein. Sie gilt in sämtlichen Mitgliedstaaten der Europäischen Union und der Europäischen Freihandelszone EFTA.

Tritt innerhalb von 24 Monaten ab Kaufdatum an einem Gerät von Black & Decker ein auf Material- oder Verarbeitungsfehler zurückzuführender Mangel auf, garantiert Black & Decker den Austausch defekter Teile, die Reparatur von Geräten abgesehen von normalem Verschleiß sowie den Austausch mangelhafter Geräte mit minimalen Unannehmlichkeiten für den Kunden, allerdings vorbehaltlich folgender Ausnahmen:

- ◆ wenn das Gerät gewerblich, beruflich oder im Verleihgeschäft benutzt wurde;
- ◆ wenn das Gerät missbräuchlich verwendet oder mit mangelnder Sorgfalt behandelt wurde;
- ◆ wenn das Gerät durch irgendwelche Fremdeinwirkung beschädigt wurde;
- ◆ wenn ein unbefugter Reparaturversuch durch anderes Personal als das einer Vertragswerkstatt oder des Black & Decker Kundendienstes unternommen wurde.

Zur Inanspruchnahme dieser Garantie ist dem Verkäufer bzw. der Vertragswerkstatt ein Kaufnachweis vorzulegen. Bitte fragen Sie Ihre zuständige Black & Decker Niederlassung (Adresse in dieser Anleitung) nach einer Vertragswerkstatt in Ihrer Nähe. Eine Liste der Vertragswerkstätten und aller Kundendienststellen von Black & Decker sowie der zuständigen Ansprechpartner finden Sie auch im Internet unter: www.2helpU.com

Bitte besuchen Sie unsere Webseite www.blackanddecker.de, um Ihr neues BLACK+DECKER Produkt zu registrieren und über neue Produkte und Sonderangebote informiert zu werden. Weitere Informationen über die Marke BLACK+DECKER und unsere Produkte finden Sie unter www.blackanddecker.de.

Usage prévu

Votre coupe-bordures BLACK+DECKER STB3620L est conçu pour la coupe et la finition des bordures de pelouse ainsi que pour couper l'herbe dans les espaces restreints. Elle est destinée à une utilisation exclusivement domestique.

Consignes de sécurité

Avertissement! L'utilisation d'appareils alimentés sur secteur implique le respect de certaines précautions de sécurité élémentaires, y compris les suivantes, afin de réduire les risques d'incendie, d'électrocution, de blessures corporelles et de dégâts matériels.

Avertissement! Les consignes de sécurité doivent être respectées pendant l'utilisation. Pour votre propre sécurité ainsi que celle des personnes présentes à proximité, lisez ces instructions avant d'utiliser l'outil. Veuillez conserver les instructions pour un usage ultérieur.

- ◆ Avant d'utiliser l'appareil, lisez attentivement ce manuel dans son intégralité.
- ◆ L'utilisation prévue est décrite dans ce manuel d'instructions. L'utilisation d'un accessoire ou d'une fixation, ou bien l'utilisation de cet appareil à d'autres fins que celles recommandées dans ce manuel d'instruction peut présenter un risque de blessures.
- ◆ Gardez ce manuel pour référence ultérieure.

Utilisation de votre appareil

Prenez toutes les précautions nécessaires pour utiliser l'appareil.

- ◆ Portez toujours des lunettes de sécurité ou de protection.
- ◆ Interdisez l'utilisation de l'appareil aux enfants et autres personnes non familiarisées avec les instructions.
- ◆ Ne laissez pas les enfants ou les animaux s'approcher de la zone de travail ou toucher l'appareil ou le fil électrique.

- ◆ L'utilisation de l'appareil à proximité d'enfants nécessite une étroite surveillance.
- ◆ Cet appareil n'est pas destiné à être utilisé par des personnes jeunes ou déficientes sans surveillance.
- ◆ Cet appareil ne doit pas être utilisé comme jouet.
- ◆ Utilisez cet appareil uniquement dans la journée ou avec un éclairage artificiel approprié.
- ◆ Il doit toujours être utilisé dans des endroits secs. ne doit être mouillé en aucun cas.
- ◆ N'utilisez pas l'appareil dans des conditions climatiques défavorables, en particulier s'il y a un risque d'éclairs.
- ◆ Ne plongez pas l'appareil dans l'eau.
- ◆ N'ouvrez pas le boîtier. Les pièces à l'intérieur ne sont pas réparables par l'utilisateur.
- ◆ N'utilisez pas l'appareil dans un environnement présentant des risques d'explosion, notamment en présence de liquides, gaz ou poussières inflammables.
- ◆ Pour limiter le risque d'endommagement des prises ou des fils électriques, ne débranchez jamais l'appareil en tirant sur le câble.
- ◆ Cet appareil doit exclusivement être utilisé avec l'alimentation fournie d'origine.

Sécurité d'autrui

- ◆ Cet appareil peut être utilisé par des enfants âgés de 8 ans ou plus et des personnes ayant des déficiences physiques, mentales ou sensorielles. Cette consigne s'applique aux personnes ayant reçu les instructions appropriées d'utilisation fiable et ayant connaissance des dangers existants.

Ne laissez pas les enfants jouer avec l'appareil. Les enfants ne peuvent en aucun cas assurer le nettoyage et la maintenance sans surveillance.

- ◆ Surveillez les enfants afin d'éviter qu'ils jouent avec cet appareil.

- ◆ Quand l'appareil est rangé ou transporté dans un véhicule, il doit être installé dans le coffre ou correctement calé pour éviter les mouvements dus aux changements de direction ou de vitesse.

Risques résiduels.

L'utilisation d'un outil non mentionné dans les consignes de sécurité données peut entraîner des risques résiduels supplémentaires.

Ces risques peuvent survenir si l'outil est mal utilisé, si l'utilisation est prolongée, etc.

Malgré l'application des normes de sécurité correspondantes et la présence de dispositifs de sécurité, les risques résiduels suivants ne peuvent être évités. Ceci comprend :

- ◆ Les blessures dues au contact avec une pièce mobile/en rotation.
- ◆ Les blessures causées en changeant des pièces, lames ou accessoires.
- ◆ Les blessures dues à l'utilisation prolongée d'un outil. Une utilisation prolongée de l'outil nécessite des pauses régulières.
- ◆ Déficience auditive.
- ◆ Risques pour la santé causés par l'inhalation de poussières produites pendant l'utilisation de l'outil (exemple : travail avec du bois, surtout le chêne, le hêtre et les panneaux en MDF).

Après l'utilisation

- ◆ Quand il n'est pas utilisé, l'appareil doit être rangé dans un endroit suffisamment aéré, sec et hors de portée des enfants.
- ◆ Les enfants ne doivent pas avoir accès aux appareils rangés.

Vérification et réparations

- ◆ Avant l'utilisation, vérifiez si l'appareil est en bon état et si aucune pièce ne manque. Recherchez des pièces cassées et d'autres anomalies susceptibles de nuire au bon fonctionnement de l'appareil.
- ◆ N'utilisez pas l'appareil s'il comporte une pièce endommagée ou défectueuse.
- ◆ Faites réparer ou remplacer les pièces défectueuses ou endommagées par un réparateur agréé.
- ◆ Ne tentez jamais de retirer ou de remplacer des pièces autres que celles indiquées dans ce manuel.

Consignes de sécurité supplémentaires pour le taille-bordures

Avertissement! Les éléments de coupe continuent de tourner juste après la mise hors tension du moteur.

- ◆ Familiarisez-vous avec les commandes et la manière appropriée d'utiliser l'appareil.
- ◆ Avant l'utilisation, vérifiez l'état du cordon d'alimentation électrique et de la rallonge (dommage, usure et vieillissement). Si un câble est endommagé pendant l'utilisation, débranchez immédiatement l'appareil de l'alimentation secteur. **NE TOUCHEZ PAS LE CÂBLE AVANT DE L'AVOIR DÉBRANCHÉ.**

- ◆ Retirez toujours la batterie de l'appareil lorsqu'il n'est pas utilisé, lorsque vous dégagez une obstruction, avant de le nettoyer ou de l'entretenir, après avoir frappé un objet étranger ou dès que l'appareil commence à vibrer de façon anormale.
- ◆ N'utilisez pas l'appareil lorsque les câbles sont endommagés ou défectueux.
- ◆ Portez des chaussures épaisses pour protéger vos pieds.
- ◆ Portez un pantalon pour protéger vos jambes.
- ◆ Avant de commencer, retirez les bâtons, cailloux, câbles et autres corps étrangers de la zone à couper.
- ◆ Utilisez l'appareil exclusivement en position verticale, en positionnant le fil de coupe à proximité du sol. Ne démarrez jamais l'appareil dans une autre position.
- ◆ Déplacez-vous lentement pendant l'utilisation de l'appareil. N'oubliez pas que l'herbe fraîchement coupée est glissante.
- ◆ Ne travaillez pas sur des pentes trop raides. Ne travaillez jamais de haut en bas.
- ◆ Ne traversez jamais des passages recouvert de gravier quand l'appareil fonctionne.
- ◆ Ne touchez jamais le fil de coupe quand l'appareil fonctionne.
- ◆ Ne posez pas l'appareil avant l'arrêt complet du fil de coupe.
- ◆ Utilisez exclusivement le type de fil de coupe approprié. N'utilisez jamais un fil de coupe en métal ou un fil de pêche.
- ◆ Prenez les précautions nécessaires pour ne pas toucher la lame.
- ◆ Veillez à maintenir le câble d'alimentation électrique à l'écart du fil de coupe. Vérifiez toujours la position du câble.
- ◆ Gardez toujours les pieds et les mains éloignés du fil de coupe particulièrement au démarrage du moteur.
- ◆ Avant d'utiliser l'appareil et après un choc, recherchez des signes d'usure ou de dommages et réparez, le cas échéant.
- ◆ Ne faites jamais fonctionner l'appareil avec des protections endommagées ou sans protection.
- ◆ Prenez les précautions nécessaires pour éviter de vous blesser avec les dispositifs de réglage du fil. Une fois le nouveau fil de coupe tiré, avant de remettre l'appareil en marche, replacez-le en position normale de fonctionnement.
- ◆ Aucun débris ne doit se trouver sur les aérations.
- ◆ N'utilisez pas le taille-bordures lorsque les câbles sont endommagés ou défectueux.
- ◆ Éloignez les rallonges des éléments de coupe.

Consignes de sécurité supplémentaires concernant les batteries/piles et les chargeurs

Batteries

- ◆ N'essayez jamais de les ouvrir pour une raison quelconque.
- ◆ Ne mettez pas la batterie/pile en contact avec l'eau.
- ◆ Ne rangez pas l'appareil dans des endroits où la température peut dépasser 40 °C.

- ◆ Ne chargez qu'à la température ambiante comprise entre 10 °C et 40 °C.
- ◆ N'utilisez que le chargeur fourni avec l'outil.
- ◆ Pour la mise au rebut des batteries/piles, respectez les instructions mentionnées à la section « Protection de l'environnement ».

Chargeurs

- ◆ Utilisez exclusivement votre chargeur BLACK+DECKER pour charger la batterie fournie avec l'outil. D'autres batteries pourraient exploser, provoquant des blessures et des dommages.
- ◆ Ne tentez jamais de recharger des batteries non rechargeables.
- ◆ Remplacez immédiatement les cordons électriques endommagés.
- ◆ N'exposez pas le chargeur à l'eau.
- ◆ N'ouvrez pas le chargeur.
- ◆ Ne testez pas le chargeur.



Le chargeur est conçu pour être utilisé exclusivement à l'intérieur.



Lisez le manuel d'instructions avant d'utiliser l'outil.

Sécurité électrique



Votre chargeur est doublement isolé et ne nécessite donc aucun câble de terre. Vérifiez toujours si la tension indiquée sur la plaque signalétique de l'appareil correspond à la tension secteur. N'essayez jamais de remplacer le chargeur par une prise secteur.

- ◆ Si le câble d'alimentation est endommagé, il doit être remplacé par le fabricant ou par un Centre de réparation agréé BLACK+DECKER afin d'éviter tout accident.

Étiquettes apposées sur l'appareil

Outre le code de date, les symboles d'avertissement suivants sont apposés sur l'appareil :



Lisez le manuel avant la mise en marche.



Portez des lunettes de sécurité ou de protection lorsque vous utilisez l'appareil.



Portez des protections auditives appropriées lorsque vous utilisez l'appareil.



Retirez toujours la batterie de l'appareil avant tout nettoyage ou entretien.



Faites attention aux projections. Éloignez toute personne de la zone de coupe.



N'exposez pas l'appareil à la pluie ou à l'humidité.



Puissance sonore garantie conforme à la Directive 2000/14/CE.

Fonctionnalités

Cet appareil présente la totalité ou une partie des caractéristiques suivantes.

1. Gâchette à variateur de vitesse
2. Manche
3. Bouton de déverrouillage
4. Batterie
5. Témoin de charge
6. Poignée auxiliaire
7. Pince de blocage d'ajustement de la hauteur
8. Bloc de l'outil
9. Bouton de rotation
10. Guide-bordure
11. Protection
12. Boîtier de bobine
13. Cache de la bobine

Assemblage

Avertissement! Avant l'assemblage, assurez-vous que l'outil est hors tension et que la batterie a été retirée.

Fixation de la protection (figures D et E)

- ◆ Retirez la vis (E1) de la protection
- ◆ En maintenant la protection alignée au bloc, faites-la glisser en place jusqu'à entendre le clic des pattes de retenue. Assurez-vous que les rails de guidage (D1) sur la protection (11) sont correctement alignés avec les rails de guidage (D2) sur le bloc (D3) (Figure D). La patte de blocage (D4) doit être encliquetée dans la fente du boîtier (D5).
- ◆ Maintenez la protection en place avec la vis (E1) (Figure E).

Avertissement! N'utilisez jamais l'outil lorsque la protection n'est pas correctement installée.

Fixation de la poignée auxiliaire (figures F et G)

- ◆ Poussez la poignée auxiliaire (F1) sur le tube (F2).
- ◆ Glissez le boulon (G1) dans le trou hexagonal de la poignée et à travers le côté opposé.
- ◆ Serrez le bouton (G2) sur le boulon en le tournant dans le sens des aiguilles d'une montre.

Avertissement! Assurez-vous que la nervure centrale se trouve à l'intérieur de la fente dans le tube.

Réglage de la position de la poignée auxiliaire (figure G)

La poignée auxiliaire (6) peut être réglée pour offrir un maximum de confort et d'équilibre.

- ◆ Desserrez le bouton (G2) sur le boulon (G1) en le faisant tourner dans le sens inverse des aiguilles d'une montre.
- ◆ Glissez délicatement la poignée auxiliaire vers le haut et le bas du tube (F2) sur la hauteur offrant le plus de confort.
- ◆ Serrez le bouton (G2) sur le boulon (G1) le tournant dans le sens des aiguilles d'une montre.

Réglage de la hauteur de l'outil (figure H)

Ajustez la longueur du coupe-bordures pour obtenir une position de travail appropriée comme indiqué à la figure M. Cet outil est doté d'un mécanisme télescopique qui permet de le régler sur une hauteur confortable.

Pour régler la hauteur, procédez comme suit :

- ◆ Relâchez la pince de verrouillage de réglage de hauteur (7)..
- ◆ Tirez le tube (H1) doucement vers le haut ou vers le bas et sans forcer pour atteindre la hauteur désirée.
- ◆ Fermez la pince de verrouillage de réglage de hauteur (7).

Dégagement du fil de coupe

Pendant le transport, le fil de coupe est maintenu sur le boîtier de la bobine avec de l'adhésif.

Avertissement! Avant l'assemblage, retirez la batterie de l'outil.

- ◆ Retirez le scotch fixant le fil de coupe sur le boîtier de la bobine (12).

Installation et retrait de la batterie (figures B et C)

- ◆ Pour installer la batterie (4), alignez-la sur le boîtier de l'outil. Glissez la batterie dans le boîtier et poussez-la jusqu'à ce qu'elle se bloque en position.
- ◆ Pour retirer la batterie, poussez le bouton de dégagement tout en tirant la batterie hors du boîtier.

Utilisation

Avertissement! Laissez l'outil fonctionner à sa propre vitesse. Ne le poussez pas au-delà de sa limite.

Charge de la batterie

La batterie doit être chargée avant la première utilisation et chaque fois qu'elle semble faible. La batterie peut chauffer pendant la charge. Ce phénomène est normal et n'indique pas un problème.

Avertissement! Ne chargez pas la batterie si la température ambiante est inférieure à 10 °C ou supérieure à 40 °C. Température de charge recommandée : 24 °C.

Remarque : Le chargeur ne chargera pas le bloc-batteries si la température de l'élément est inférieure à environ 10 °C ou supérieure à 40 °C.

La batterie doit rester dans le chargeur. Le chargeur commence automatiquement la charge quand la température de l'élément se réchauffe ou se refroidit.

- ◆ Branchez le chargeur dans une prise appropriée avant d'insérer le bloc-batteries.
- ◆ Insérez le bloc-batteries dans le chargeur.



La DEL verte clignotera indiquant que la batterie est en cours de chargement.



Une fois la charge terminée, la DEL demeure fixe. La batterie est alors complètement chargée et peut être soit utilisée, soit laissée dans le chargeur

Avertissement! Rechargez les batteries déchargées dès que possible après utilisation ou leur durée de vie risque d'être grandement réduite.

Diagnostics du chargeur

Ce chargeur est conçu pour détecter certains problèmes pouvant survenir avec les blocs-batteries ou l'alimentation. Les problèmes sont indiqués par une DEL clignotant de différentes manières.

Mauvaise batterie



Le chargeur peut détecter une batterie faible ou endommagée. La DEL rouge clignote de la manière indiquée sur l'étiquette. Si vous voyez ce clignotement indiquant une mauvaise batterie, arrêtez de charger la batterie. Rapportez-la à un centre de réparation ou à un centre de tri pour la faire recycler.

Délai Bloc chaud/froid



Lorsque le chargeur détecte que la batterie est excessivement chaude ou froide, il suspend automatiquement la charge jusqu'à ce que la batterie retrouve une température normale. Ensuite, le chargeur repassera automatiquement en mode de charge du bloc. Cette fonctionnalité assure une durée de vie maximale de la batterie. La DEL rouge clignote de la manière indiquée sur l'étiquette quand le délai Bloc chaud/froid est détecté.

Batterie en place dans le chargeur

Le chargeur et le bloc-batterie peuvent rester connectés en permanence avec le témoin allumé. Le chargeur maintient le bloc-batterie complètement chargé.

Témoin du niveau de charge

Un témoin de charge est présent sur la batterie. Il permet d'afficher le niveau de charge actuel de la batterie pendant son utilisation dans le coupe-bordures et pendant le chargement. Il n'indique pas la fonctionnalité de l'appareil et peut être sujet à des variations selon les composants du produit, la température et l'application de l'utilisateur final.

Vérification de la charge pendant l'utilisation

- ◆ Appuyez sur le témoin de charge (A1).
- ◆ Les quatre DEL (A2) s'allument, indiquant le pourcentage de charge de la batterie (Fig.A)
- ◆ Si la DEL ne s'allume pas, chargez la batterie.

Mise en marche et arrêt

- ◆ Pour allumer le coupe-bordures, enfoncez et maintenez le bouton de verrouillage (3).
- ◆ Appuyez sur la gâchette à variateur de vitesse (1). La vitesse, la puissance et la durée de fonctionnement du coupe-bordures dépendent de la façon dont vous enfoncez la gâchette. En l'enfonçant légèrement, vous obtiendrez une vitesse et une puissance plus faibles, mais une durée de fonctionnement allongée. En l'enfonçant entièrement, vous obtiendrez une vitesse et une puissance maximales, mais une durée de fonctionnement réduite.

- ◆ Pour éteindre le coupe-bordures, relâchez à la fois la gâchette et le bouton de verrouillage.

Avertissement! N'essayez jamais de bloquer le bouton d'allumage en position marche.

Utilisation du taille-bordures

- ◆ Quand l'outil est sous tension, inclinez-le et balancez-le lentement d'un côté à l'autre comme illustré à la (figure M).
- ◆ Maintenez un angle de coupe de 5° à 10° comme illustré à la figure M1. Ne dépassez pas 10° (figure M2). Coupez avec l'extrémité du fil. Pour maintenir une certaine distance à partir des surfaces dures, utilisez le guide-bordure (10). Tirez le guide jusqu'à ce qu'il se bloque en place et que vous entendiez un clic
- ◆ Maintenez une distance minimum de 60 cm entre la protection et vos pieds, comme illustré à la (figure M3). Pour obtenir cette distance, réglez la hauteur globale de l'outil comme illustré à la (figure H).

Sélectionner le mode taille ou bordure (figures I, J et K)

- ◆ Le coupe-bordures peut être utilisé en mode taille, comme indiqué à la (figure I) ou en mode bordure pour égaliser l'herbe qui dépasse le long des pelouses et des parterres de fleurs, comme indiqué à la (figure J).

Mode taille (figures I et J)

Pour tailler, le bloc doit être dans la position indiquée à la figure I. Si ce n'est pas le cas :

- ◆ Retirez la batterie de l'outil.
- ◆ Appuyez de manière prolongée sur le bouton de dégagement du bloc (9).
- ◆ Pendant que vous maintenez la poignée auxiliaire (6), faites tourner le bloc (8) dans le sens des aiguilles d'une montre.
- ◆ Relâchez le bouton de dégagement du bloc.
- ◆ Glissez le guide-bordure (10) en position fermée.

Mode bordure (figure K)

Avertissement! Lorsque l'outil est utilisé pour tailler des bordures, des cailloux, morceaux de métal et autres objets peuvent être projetés à grande vitesse par le fil. Le coupe-bordures et la protection sont conçus pour réduire le danger, assurez-vous cependant de maintenir les autres personnes et les animaux à au moins 30 mètres. Pour les bordures, le bloc doit être dans la position indiquée à la (figure K). Si ce n'est pas le cas :

- ◆ Retirez la batterie de l'outil.
- ◆ Appuyez longuement sur le bouton de dégagement du bloc (9) comme illustré à la (figure K).
- ◆ Pendant que vous maintenez la poignée auxiliaire (6), faites tourner le bloc (8) dans le sens inverse des aiguilles d'une montre.
- ◆ Relâchez le bouton de dégagement du bloc.
- ◆ Mettez le guide-bordure (10) en position ouverte. Le guide-bordure doit être entièrement vers le bas. Vérifiez si le clic se produit.

Remarque: le bloc ne tourne que dans un sens.

Avertissement! N'utilisez pas le coupe-bordures pour créer des bordures ou des tranchées.

- ◆ Guidez le coupe-bordures comme indiqué à la (figure N).
- ◆ Pour effectuer une coupe précise, inclinez légèrement l'outil.

Conseils pour une utilisation optimale

- ◆ Utilisez le bout du fil pour couper ; ne forcez pas la tête de fil dans l'herbe non coupée.
- ◆ Les clôtures grillagées ou en bois augmentent l'usure du fil et peuvent le rompre. Les murs en pierre ou en brique, les bordures et le bois provoquent une usure rapide du fil. Prenez soin de réduire tout contact avec les surfaces dures.
- ◆ Ne laissez pas le cache de la bobine traîner sur le sol ou sur d'autres surfaces.
- ◆ Pour les pousses longues, coupez de haut en bas et ne dépassez pas 30 cm de hauteur.
- ◆ Maintenez le coupe-bordures penché vers la zone à couper ; c'est le meilleur angle de coupe
- ◆ Le coupe-bordures coupe lorsque vous passez l'appareil de droite à gauche. Cela permet d'éviter les projections de débris vers l'utilisateur.
- ◆ Ne coupez pas les arbres et les arbustes. Le fil peut facilement endommager l'écorce, les moulures en bois, les revêtements et les piquets de clôtures.

Dégager les obstructions et démêler le fil, figures O, P, Q

Avertissement! Retirez la batterie du coupe-bordures avant d'effectuer tout réglage ou changement d'accessoires. Cette mesure de précaution permet d'éviter une mise en marche involontaire. De temps en temps, surtout lorsque vous coupez des herbes épaisses ou à pédoncules, de la sève ou d'autres matières peuvent obstruer le noyau d'alimentation du fil, provoquant un grippage du fil. Pour dégripper le fil, procédez comme suit.

- ◆ Appuyez sur les pattes de libération sur le cache de la bobine comme indiqué à la (figure O) et retirez le cache en le tirant d'un coup.
- ◆ Retirez la bobine de fil en nylon et dégagez tout débris ou fil cassé de la zone de la bobine.
- ◆ Posez la bobine et le fil dans le cache de la bobine avec le fil en place dans les fentes fournies comme indiqué à la (figure P1).
- ◆ Insérez l'extrémité du fil à travers le trou approprié dans le cache de la bobine. Tirez le fil relâché à travers jusqu'à ce qu'il sorte des fentes de maintien comme indiqué sur la (figure P2).
- ◆ Appuyez doucement la bobine vers le bas et tournez-la jusqu'à ce que vous la sentiez se mettre en place. Une fois en place, la bobine tourne librement de quelques degrés vers la gauche ou la droite.
- ◆ Faites attention de ne pas coincer le fil sous la bobine
- ◆ Alignez les pattes du cache de la bobine avec les fentes sur le boîtier de la bobine (figure P).
- ◆ Remettez le cache de la bobine en vous assurant d'entendre les ergots s'encliqueter dans le boîtier de la bobine.

Remarque : Le fil doit dépasser d'environ 122 mm du boîtier.

Remplacer la bobine, figures O, P, Q et R

- ◆ Retirez la batterie de l'outil.
- ◆ Appuyez sur les ergots et retirez le cache de la bobine du boîtier de bobine sur le bloc de l'outil (figure O).
- ◆ Saisissez la bobine vide d'une main et le cache de la bobine de l'autre main, puis extrayez la bobine.
- ◆ Remplacez la bobine avec un modèle A6482-XJ de BLACK+DECKER.
- ◆ Éliminez la poussière et l'herbe de la bobine et du cache.
- ◆ Si le levier (R1) à la base du cache de la bobine se déloge, remettez-le dans sa bonne position avant d'insérer une nouvelle bobine comme indiqué à la (figure R).
- ◆ Détachez l'extrémité du fil de coupe et guidez-le dans l'œillet (P2).
- ◆ Appuyez doucement la bobine dans le cache et tournez-la jusqu'à ce que vous la sentiez se mettre en place. Puis poussez pour l'encliqueter. Une fois en place, la bobine tourne librement de quelques degrés vers la gauche ou la droite.
- ◆ Assurez-vous de ne pas bloquer le fil sous la bobine.
- ◆ Alignez les pattes du cache avec les fentes sur le boîtier de la bobine (figure Q).
- ◆ Remettez le cache de la bobine en vous assurant d'entendre les ergots s'encliqueter dans le boîtier de la bobine.

Remarque : Le fil doit dépasser d'environ 122 mm du boîtier.

Rembobiner la bobine à partir de fil en vrac (n'utilisez que du fil ROND de 2,0 mm de diamètre) (figure S)

Vous pouvez aussi acheter du fil en vrac auprès de votre revendeur local.

Pour installer du fil en vrac, procédez comme suit :

- ◆ Retirez la batterie de l'outil.
- ◆ Retirez la bobine vide de l'outil comme décrit à la section « Remplacement de la bobine ».
- ◆ Retirez le reste de fil de coupe de la bobine.
- ◆ Pliez la fin du fil de coupe à environ 19 mm (S1). Faites passer le fil de coupe dans l'une des fentes d'ancrage du fil (S3).
- ◆ Assurez-vous que le fil est tendu contre la bobine et commencez à enrouler le fil de coupe sur la bobine en direction de la flèche sur la bobine
- ◆ Enroulez correctement le fil et de manière progressive. Ne faites pas de chevauchements (figure T).
- ◆ Quand le fil de coupe usé atteint les renforcements (S4), la bobine est pleine.
- ◆ Trouvez le fil dans la fente de « garage » fournie (figure P1). Coupez le fil du rouleau de vrac.
- ◆ Installez la bobine sur l'outil comme décrit à la section « Remplacement de la bobine » aux figures O, P, Q et R.

REMARQUE : les bobines de fil en vrac enroulées à la main risquent de s'entremêler plus fréquemment que les bobines enroulées en usine BLACK+DECKER. Pour un résultat optimal, nous recommandons d'utiliser des bobines enroulées en usine. Bobines de rechange:

A6486-XJ (bobine et fil SA 3 pièces)

A6482-XJ (bobine et fil SA 1 pièce)

Système d'alimentation automatique (AFS)

Le coupe-bordures à fil est équipé d'une bobine AFS, qui détecte la rupture du fil et le réalimente automatiquement. Ne cognez pas et ne tirez pas sur le fil. Si l'AFS n'alimente pas correctement, retirez la bobine et vérifiez que le fil est correctement enroulé et remettez-la dans l'outil.

Entretien

Votre appareil/outil sans fil/avec fil BLACK+DECKER a été conçu pour fonctionner pendant longtemps avec un minimum d'entretien. Un fonctionnement continu satisfaisant dépend d'un nettoyage régulier et d'un entretien approprié de l'appareil/outil.

Le chargeur ne nécessite aucun entretien particulier, à l'exception d'un nettoyage régulier.

Avertissement! À ne pas oublier avant l'entretien des appareils électriques sans fil/avec fil :

- ◆ Arrêtez l'appareil/outil, puis débranchez-le.
- ◆ Ou, arrêtez l'appareil et retirez la batterie de l'appareil/outil si celui-ci est muni d'un bloc-batterie séparé.
- ◆ Ou bien déchargez complètement la batterie si elle est intégrée au système, puis arrêtez l'appareil (position Off).
- ◆ Débranchez le chargeur avant de le nettoyer. Le chargeur ne nécessite aucun entretien particulier, à l'exception d'un nettoyage régulier.
- ◆ Nettoyez régulièrement les orifices de ventilation de votre appareil/outil/chargeur à l'aide d'une brosse souple ou d'un chiffon sec.
- ◆ Nettoyez régulièrement le compartiment du moteur à l'aide d'un chiffon humide. N'utilisez pas de produit abrasif ou à base de solvant.
- ◆ Nettoyez régulièrement le fil de coupe et la bobine à l'aide d'une brosse souple ou d'un chiffon sec.
- ◆ Utilisez régulièrement un racloir pour retirer l'herbe et les saletés sous le dessous de la protection.

Dépannage

| Problème | Solution |
|-----------------------------------------------------------------|-----------------------------------------------------------------------------------------------------------------------------------------------------------------------------------------------------------------------------------------------------------------------------------------------------------------------------------------------------------------------------------------------------------------------------------------------------------------------------------------------------------------------------------------------------------------------------------------------------------------------------------------------------------------------------------------------------------------------------------------------------------------------------------------------------------------------------------------------------------------------------------------------------------------------------------------------------------------------------------------------------------------------------------------------------------------------------------------------------------------------------------------------------------------------------------------------------------------------------------------------------------------------------------------------------------------------------------------------------------------------------------------------------------------------------------------------------------------------------------------------------------------------------------------------------------------------------------------------------------------------------|
| Fonctionnement lent. | <p>Enfoncez entièrement la gâchette à variateur de vitesse. Le niveau de pression de la gâchette affecte la vitesse.</p> <p>Retirez la batterie de l'outil</p> <p>Vérifiez le mouvement de rotation du boîtier de bobine. Nettoyez-le, le cas échéant.</p> <p>Vérifiez que le fil de coupe ne dépasse pas de plus d'environ 122 mm de la bobine. Si c'est le cas, coupez-le pour qu'il soit au niveau de la lame.</p> |
| L'alimentation automatique n'alimente pas en fil. | <p>L'alimentation en fil augmente quand le fil atteint environ 76 mm. Pour déterminer si l'alimentation en fil ne fonctionne pas, laissez le fil s'user au-delà de ce point.</p> <p>Maintenez les ergots appuyés et retirez le cache de la bobine avec la bobine du boîtier de bobine dans le bloc de l'outil.</p> <p>Assurez-vous qu'il n'y a pas de chevauchement de fil sur la bobine comme détaillé à la (figure T). Si c'est le cas, déroulez le fil de coupe et enroulez-le correctement.</p> <p>Vérifiez que les rails au bas de la bobine ne sont pas endommagés. Si c'est le cas, changez la bobine.</p> <p>Tirez le fil de coupe jusqu'à ce qu'il dépasse de la bobine d'environ 122 mm. S'il n'y a pas assez de fil dans la bobine, installez une nouvelle bobine de fil. Alignez les pattes sur le cache de la bobine avec les trous sur le boîtier. Poussez le cache dans le boîtier jusqu'à ce qu'il se bloque fermement en place. Si le fil de coupe dépasse de la lame, coupez-le pour qu'il soit au niveau de la lame. Si le déroulement automatique du fil ne fonctionne pas ou si la bobine est emmêlée, effectuez ce qui suit : Nettoyez avec précaution la bobine et le boîtier. Assurez-vous d'utiliser la taille et le diamètre de fil appropriés (2 mm) - des fils plus petits ou plus larges affecteront le fonctionnement du système d'alimentation automatique. Retirez la bobine et vérifiez que le levier dans le boîtier de la bobine peut bouger librement. Retirez la bobine et déroulez le fil de coupe, puis enroulez-le de nouveau correctement. Remettez la bobine dans le boîtier.</p> |
| Suralimentation | <p>Assurez-vous de couper avec l'extrémité du fil à 177 mm de la bobine. Utilisez le guide-bordure si nécessaire pour vous assurer de maintenir un espacement correct.</p> <p>Assurez-vous de ne pas dépasser un angle de 10° comme indiqué à la (figure M). Ne mettez pas le fil en contact avec des surfaces dures comme la brique, le béton, le bois, etc. Ceci afin de prévenir une usure excessive et/ou une suralimentation de fil. Coupez avec l'extrémité du fil</p> |
| Le fil s'effile lorsque le cache ou la bobine est retiré | <p>Assurez-vous de mettre les fils en place dans les fentes de maintien (figure P) avant de retirer.</p> |

Protection de l'environnement



Recyclage. Ce produit ne doit pas être jeté avec les déchets ménagers.

Si votre produit BLACK+DECKER doit être remplacé ou si vous ne l'utilisez plus, ne le jetez pas avec les ordures ménagères. Songez à la protection de l'environnement et recyclez-le.



La collecte séparée des produits et des emballages usagés permet de recycler et de réutiliser des matériaux. La réutilisation de matériaux recyclés évite la pollution de l'environnement et réduit la demande de matières premières.

Des réglementations locales peuvent stipuler la collecte séparée des produits électriques et des produits ménagers, dans des déchetteries municipales ou par le revendeur lorsque vous achetez un nouveau produit.

BLACK+DECKER offre une solution permettant de recycler les produits BLACK+DECKER lorsqu'ils ont atteint la fin de leur cycle de vie. Pour pouvoir profiter de ce service, veuillez retourner votre produit à un réparateur agréé qui se chargera de le collecter pour nous.

Pour connaître l'adresse du réparateur agréé le plus proche de chez vous, contactez le bureau BLACK+DECKER à l'adresse indiquée dans ce manuel. Une liste des réparateurs agréés BLACK+DECKER ainsi que des informations détaillées sur notre service après-vente et nos coordonnées sont aussi disponibles sur le site Internet à l'adresse suivante : www.2helpU.com

Batteries



Quand elles sont hors d'usage, jetez-les en respectant les normes de protection de l'environnement.

- ◆ Déchargez complètement la batterie, puis retirez-la de l'outil.
- ◆ Les batteries NiCd, NiMH et Li-Ion sont recyclables. Placez la ou les batteries dans un emballage approprié pour éviter un court-circuit des bornes. Déposez-les chez un technicien d'entretien agréé ou dans un centre de recyclage local.
- ◆ Ne court-circuitiez pas les bornes des piles.
- ◆ Ne jetez pas les batteries au feu, car elles pourraient exploser ou provoquer des blessures corporelles.

Données techniques

| | | |
|------------------|------------------|-----------------|
| | | STB3620L H 1 |
| Tension d'entrée | V_{ca} | 36V |
| Vitesse à vide | min ¹ | 0 - 7200/min |
| Poids | kg | 3,4 kg |

| | | |
|----------|----------|--------|
| Batterie | | BL2036 |
| Tension | V_{cc} | 36V |
| Capacité | Ah | 2.0Ah |
| Type | | Li-Ion |

| | | |
|-------------------|----------|---------------------------------|
| Chargeur | | LCS36 Type 1 |
| Tension d'entrée | V_{ca} | 220 - 240 V |
| Tension de sortie | V_{cc} | 36V |
| Courant | mA A | Entrée : 600mA Sortie : 1,3A |

Niveau de vibration main/bras selon la norme EN 50636-2-91 :

= 2,5 m/s², incertitude (K) = 1,5 m/s².

L_w (pression sonore) 75 dB(A)
incertitude (K) = 1.5 dB(A)

Déclaration de conformité CE

CONSIGNES DE MACHINERIE DIRECTIVE RELATIVE AUX NUISANCES SONORES EXTÉRIEURES



STB3620L coupe-bordures à fil sans cordon

Black & Decker confirme que les produits décrits dans les « Données techniques » sont conformes aux normes :
2006/42/CE, EN 60335-1:2012 + A11:2014
EN 50636-2-91:2014

2000/14/CE, Taille-bordures, L ≤ 50 cm, Annexe VIII
DEKRA Certification B.V., Utrechtseweg 310,
6802 ED Arnhem, Pays-Bas
N° ID corps : 0344

Niveau de puissance sonore selon la norme 2000/14/CE
(Article 12, Annexe III, L ≤ 50 cm) :
L_{wa} (puissance sonore mesurée) 95 dB(A)
incertitude (K) = 1.5 dB(A)
L_{wa} (puissance sonore garantie) 96 dB(A)

Ces produits respectent également les Directives 2014/108/
CE (jusqu'au 19/04/2016), 2014/30/UE (à partir du
20.04.2016) et 2011/65/UE.

Pour plus de détails, veuillez contacter Black & Decker à
l'adresse suivante ou reportez-vous au dos du manuel.

Le soussigné est responsable des données de la fiche
technique et fait cette déclaration au nom de Black & Decker.

R. Laverick
Responsable technique
Black & Decker Europe, 210 Bath Road, Slough,
Berkshire, SL1 3YD
Royaume-Uni
06/08/2015

Garantie

Black & Decker vous offre une garantie très élargie ainsi que des produits de qualité. Ce certificat de garantie est un document supplémentaire et ne peut en aucun cas se substituer aux droits accordés par la loi. La garantie est valable sur tout le territoire des États Membres de l'Union Européenne et de la Zone de Libre Échange Européenne.

Si un produit Black & Decker s'avère défectueux en raison de matériaux défectueux, d'une contrefaçon ou d'un manque de conformité, dans les 24 mois suivant la date d'achat, Black & Decker garantit le remplacement des pièces défectueuses, la réparation des produits sujets à l'usure normale ou le remplacement de ces produits en veillant à minimiser les inconvénients pour le client, sauf dans les circonstances suivantes :

- ◆ Le produit a été utilisé dans un but commercial, professionnel, ou a été loué ;
- ◆ Le produit a été mal utilisé ou utilisé avec négligence ;
- ◆ Le produit a subi des dommages à cause d'objets étrangers, de substances ou à cause d'accidents ;
- ◆ Des réparations ont été tentées par des techniciens ne faisant pas partie du service technique de Black & Decker.

Pour avoir recours à la garantie, il est nécessaire de fournir une preuve d'achat au vendeur ou au réparateur agréé. Pour connaître l'adresse du réparateur agréé le plus proche de chez vous, contactez le bureau Black & Decker à l'adresse indiquée dans ce manuel. Une liste des réparateurs agréés Black & Decker ainsi que des informations détaillées sur notre service après-vente et nos coordonnées sont aussi disponibles sur le site Internet à l'adresse suivante : www.2helpU.com

Visitez notre site Web www.blackanddecker.fr pour enregistrer votre nouveau produit BLACK+DECKER et être informé des nouveaux produits et des offres spéciales. Pour plus d'informations concernant la marque BLACK+DECKER et notre gamme de produits, visitez notre site www.blackanddecker.fr

Uso previsto

Il tagliabordi STB3620L BLACK+DECKER è progettato per rifinire i bordi dei prati e per tagliare l'erba in spazi limitati. Questo elettroutensile è stato progettato solo per uso individuale.

Istruzioni di sicurezza

Avvertenza! Quando si usano elettroutensili alimentati elettricamente, osservare sempre le normali precauzioni di sicurezza per ridurre il rischio di incendio, scosse elettriche, lesioni personali e danni materiali.

Avvertenza! Osservare i regolamenti di sicurezza quando si usa l'elettroutensile. Per la propria incolumità e quella degli osservatori, leggere queste istruzioni prima di usare l'elettroutensile. Conservare le istruzioni in un luogo sicuro per utilizzo futuro.

- ◆ Leggere attentamente il presente manuale prima di usare l'elettroutensile.
- ◆ L'utilizzo previsto è indicato nel presente manuale. Se questo elettrodomestico viene usato con accessori o per usi diversi da quelli raccomandati nel presente manuale d'uso, si potrebbero verificare lesioni personali.
- ◆ Conservare il presente manuale per futura consultazione.

Utilizzo dell'apparecchio

Prestare sempre attenzione quando si usa l'apparecchio.

- ◆ Indossare sempre occhiali di sicurezza.
- ◆ Vietare l'uso dell'elettroutensile a bambini e ad adulti che non abbiano letto il presente manuale.
- ◆ Vietare a bambini o ad animali di avvicinarsi all'area di lavoro o di toccare l'elettroutensile o il filo di alimentazione.

- ◆ Prestare la massima attenzione quando si usa l'elettroutensile vicino ai bambini.
- ◆ L'utilizzo di questo elettroutensile non è destinato a ragazzi o persone inferme senza supervisione.
- ◆ Questo elettroutensile non deve essere usato come un giocattolo.
- ◆ Usare l'elettroutensile solo alla luce del giorno o con una buona luce artificiale.
- ◆ Usare solo in un luogo asciutto. Evitare che l'elettroutensile si bagni.
- ◆ Evitare di utilizzare l'apparecchio quando il tempo è brutto, specialmente se c'è il rischio di fulmini.
- ◆ Non immergere l'elettroutensile in acqua.
- ◆ Non aprire il corpo dell'elettroutensile, dato che al suo interno non vi sono componenti riparabili.
- ◆ Evitare di impiegare questo elettroutensile in ambienti esposti al rischio di esplosione, ad esempio in presenza di liquidi, gas o polveri infiammabili.
- ◆ Per ridurre il rischio di danni a spine o fili, non tirare mai il filo per scollegare la spina da una presa.
- ◆ Questo elettrodomestico deve essere utilizzato solo con l'alimentatore fornito.

Sicurezza altrui

- ◆ Questo elettroutensile può essere usato da bambini dagli 8 anni in su e da persone portatrici di handicap fisici, psichici o sensoriali o che non abbiano la dovuta esperienza o conoscenza, sempre che siano seguite o opportunamente istruite sull'uso sicuro e comprendano i pericoli inerenti. I bambini non devono giocare con l'elettrodomestico.

Gli interventi di pulizia e di manutenzione da parte dell'utente non devono essere eseguiti da bambini senza supervisione.

- ◆ Controllare che i bambini non giochino con l'elettrotensile.

Rischi residui.

L'utilizzo dell'apparecchio può comportare altri rischi non contemplati negli avvisi di sicurezza qui riportati. Tali rischi possono sorgere a seguito di un uso prolungato o improprio, ecc. Pur osservando le norme di sicurezza e utilizzando dispositivi di protezione adeguati, certi rischi non possono essere evitati. Essi comprendono:

- ◆ Lesioni causate o subite a seguito del contatto con parti rotanti/in movimento.
- ◆ Lesioni causate o subite durante la sostituzione di parti, lame o accessori.
- ◆ Lesioni causate dall'impiego prolungato di un elettrotensile. Quando si usa qualsiasi elettrotensile per lunghi periodi, accertarsi di fare regolarmente delle pause.
- ◆ Problemi di udito.
- ◆ Rischi per la salute causati dall'aspirazione di polvere generata dall'utilizzo dell'elettrodomestico (ad esempio quando si lavora con il legno, in modo particolare quello di quercia, faggio o l'MDF).

Dopo l'impiego

- ◆ Quando non viene usato, l'elettrotensile deve essere conservato in un luogo asciutto e ben ventilato, fuori dalla portata dei bambini.
- ◆ Gli elettrodomestici non devono essere riposti alla portata dei bambini.

- ◆ Se viene conservato o trasportato in un veicolo, l'apparecchio deve essere messo nel bagagliaio o legato per evitare che si sposti in caso di cambiamento repentino della velocità o della direzione di marcia.

Ispezione e riparazioni

- ◆ Prima dell'impiego, controllare che l'apparecchio non sia danneggiato e non presenti parti difettose. Controllare che non vi siano parti rotte o altre condizioni che potrebbero avere ripercussioni sulle prestazioni.
- ◆ Non usare l'apparato se presenta elementi danneggiati o difettosi.
- ◆ Far riparare o sostituire le parti danneggiate o difettose da un tecnico autorizzato.
- ◆ Non tentare di smontare o sostituire qualsiasi parte ad eccezione di quelle specificate nel presente manuale.

Altre precauzioni di sicurezza per i decespugliatori tagliabordi

Avvertenza! I fili da taglio continuano a girare dopo lo spegnimento del motore.

- ◆ Imparare bene i comandi e come usare in modo appropriato l'elettrotensile.
- ◆ Prima dell'uso, controllare che il filo di alimentazione e il cavo di prolunga non presentino segni di danni, invecchiamento e usura. Se il filo di alimentazione subisce danni durante l'uso, scollegarlo immediatamente dalla presa di corrente. **NON TOCCARE IL FILO DI ALIMENTAZIONE PRIMA DI AVERLO SCOLLEGATO DALLA PRESA DI CORRENTE.**

- ◆ Rimuovere sempre la batteria quando l'apparecchio è incustodito, prima di eliminare un blocco, prima della pulizia e della manutenzione, dopo aver colpito un corpo estraneo o se la macchina inizia a vibrare in modo anormale.
- ◆ Non usare l'elettrotensile se i fili di alimentazione sono danneggiati o usurati.
- ◆ Indossare scarpe o stivali robusti per proteggere i piedi.
- ◆ Indossare calzoni lunghi per proteggere le gambe.
- ◆ Prima di iniziare a usare l'elettrotensile, controllare che lungo il percorso in cui si deve lavorare, non vi siano bastoncini, pietre, fili elettrici e altri ostacoli.
- ◆ Usare l'elettrotensile solo in posizione verticale e con il filo da taglio vicino a terra. Non spegnere mai l'elettrotensile in qualsiasi altra posizione.
- ◆ Spostarsi lentamente quando si usa l'elettrotensile. Ricordare che l'erba appena tagliata è umida e sdruciolevole.
- ◆ Non lavorare su pendii ripidi. Lavorare trasversalmente su di un pendio e mai procedendo verticalmente in su e in giù.
- ◆ Non attraversare mai strade o sentieri coperti di ghiaia con l'elettrotensile acceso.
- ◆ Non toccare mai il filo da taglio quando l'elettrotensile è acceso.
- ◆ Non appoggiare a terra l'elettrotensile fino a quando il filo da taglio non si è completamente fermato.
- ◆ Usare solo il corretto tipo di filo da taglio. Non usare mai filo da taglio in metallo o una lenza.
- ◆ Prestare attenzione a non toccare la lama di tranciatura del filo.
- ◆ Prestare attenzione a tenere sempre lontano il filo di alimentazione da quello da taglio. Essere sempre consapevoli di dove si trova il filo di alimentazione.
- ◆ Tenere sempre mani e piedi lontani dal filo da taglio, in modo particolare quando si accende il motore.
- ◆ Prima di usare l'elettrotensile e dopo ogni impatto, controllare che non vi siano segni di usura o danni e riparare come richiesto.
- ◆ Non far mai funzionare l'elettrotensile con le protezioni danneggiate o smontate.
- ◆ Proteggersi da eventuali lesioni che potrebbero essere causate dai dispositivi montati per la tranciatura di una lunghezza di filo da taglio. Dopo aver srotolato una nuova lunghezza di filo da taglio, riportare sempre l'elettrotensile nella normale posizione di funzionamento prima di accenderlo.
- ◆ Verificare sempre che le fessure di ventilazione siano mantenute pulite e prive di impurità.
- ◆ Non usare il decespugliatore (tagliabordi) se i fili di alimentazione sono danneggiati o usurati.
- ◆ Tenere i cavi di prolunga lontano dagli elementi da taglio.

Altre istruzioni di sicurezza per batterie e caricabatterie

Batterie

- ◆ Non tentare di aprirle per alcuna ragione.
- ◆ Non lasciare che le batterie si bagnino.
- ◆ Non riporre in luoghi dove la temperatura potrebbe superare 40 °C.

- ◆ Caricare solo a temperature ambiente tra 10 °C e 40 °C.
- ◆ Caricare solo usando il caricabatteria fornito con l'elettrotensile.
- ◆ Per lo smaltimento delle batterie, seguire le istruzioni fornite alla sezione "Protezione dell'ambiente".

Caricabatterie

- ◆ Usare il caricabatteria BLACK+DECKER solo per caricare la batteria dell'apparecchio con il quale è stato fornito. Altre batterie potrebbero scoppiare causando lesioni alle persone e danni alle cose.
- ◆ Non tentare mai di caricare batterie non ricaricabili.
- ◆ Fare sostituire immediatamente i fili di alimentazione difettosi.
- ◆ Non lasciare che il caricabatteria si bagni.
- ◆ Non aprire il caricabatteria.
- ◆ Non introdurre oggetti nel caricabatteria.



L'adattatore deve essere usato solo in interni.



Leggere il presente manuale d'uso prima dell'impiego.

Sicurezza elettrica



Il doppio isolamento di cui è provvisto il caricabatteria rende superfluo il filo di terra. Controllare sempre che la tensione di rete corrisponda a quella indicata sulla targhetta dei dati tecnici. Non tentare mai di sostituire il caricabatteria con una normale spina elettrica.

- ◆ In caso di danneggiamento del filo di alimentazione, è necessario farlo riparare dal fabbricante o presso un centro assistenza BLACK+DECKER autorizzato in modo da evitare eventuali pericoli.

Etichette sull'apparecchio

I seguenti simboli di avvertenza si trovano sull'apparecchio assieme al codice della data:



Leggere il manuale prima dell'utilizzo.



Indossare occhiali di sicurezza quando si usa l'elettrotensile.



Indossare otoprotezioni idonee quando si usa l'elettrotensile.



Rimuovere sempre la batteria dall'apparecchio prima di effettuare la pulizia o la manutenzione.



Fare attenzione agli oggetti lanciati in aria. Tenere gli osservatori lontani dalla zona di taglio.



Non esporre l'elettrotensile alla pioggia o a un'umidità intensa.



Pressione sonora garantita in base alla direttiva 2000/14/CE.

Caratteristiche

Questo apparecchio presenta alcune o tutte le seguenti caratteristiche.

1. Interruttore a velocità variabile
2. Impugnatura
3. Pulsante di sicurezza
4. Batteria
5. Indicatore di carica
6. Impugnatura ausiliaria
7. Morsetto di serraggio per la regolazione dell'altezza
8. Testa del tagliabordi
9. Pulsante di rotazione testa
10. Guida per bordo
11. Protezione
12. Alloggiamento bobina
13. Coperchio bobina

Montaggio

Avvertenza! Prima di procedere al montaggio, accertarsi che l'elettrotensile sia spento e che la batteria non sia inserita.

Montaggio della protezione (Fig. D ed E)

- ◆ Svitare la vite (E1) dalla protezione
- ◆ Mantenendo la protezione ad angolo retto rispetto alla testa del tagliabordi farla scorrere completamente in posizione finché la linguetta di fissaggio non scatta. Assicurarsi che le guide di scorrimento (D1) sulla protezione (11) siano correttamente allineate alle guide di scorrimento (D2) sulla testa del tagliabordi (D3) (Figura D). La linguetta di bloccaggio (D4) dovrà scattare all'interno della scanalatura di alloggiamento (D5).
- ◆ Fissare la protezione con la vite (E1) (Figura E).

Avvertenza! Non usare mai l'elettrotensile senza la protezione montata correttamente.

Montaggio dell'impugnatura ausiliaria (Fig. F e G)

- ◆ Spingere l'impugnatura ausiliaria (F1) sul tubo (F2).
- ◆ Infilare il bullone (G1) nel foro esagonale dell'impugnatura e farlo scorrere fino al lato opposto.
- ◆ Serrare il pomello (G2) sul bullone ruotandolo in senso orario.

Avvertenza! Assicurarsi che la nervatura centrale sia ubicata all'interno della scanalatura nel tubo.

Regolazione della posizione dell'impugnatura ausiliaria (Fig. G)

L'impugnatura ausiliaria (6) può essere regolata per fornire l'equilibrio ottimale e il massimo comfort.

- ◆ Allentare il pomello (G2) sul bullone (G1) ruotandolo in senso antiorario.
- ◆ Far scorrere con attenzione l'impugnatura ausiliaria in su o in giù lungo il tubo (F2), fino a ottenere l'altezza desiderata.
- ◆ Serrare il pomello (G2) sul bullone (G1) ruotandolo in senso orario.

Regolazione dell'altezza dell'elettrotensile (Fig. H)

Regolare la lunghezza del tagliabordi per ottenere la corretta posizione di lavoro come mostrato nella Figura M.

Questo elettrotensile è dotato di meccanismo telescopico che ne consente la regolazione all'altezza più idonea.

Per regolare l'altezza, procedere nel modo seguente:

- ◆ Rilasciare il morsetto di serraggio per la regolazione dell'altezza (7).
- ◆ Far scorrere con attenzione il tubo (H1) in su o in giù, fino a ottenere l'altezza desiderata.
- ◆ Chiudere il morsetto di serraggio per la regolazione dell'altezza (7).

Rilascio del filo da taglio

Durante il trasporto, il filo da taglio è fissato sull'alloggiamento della bobina con del nastro adesivo.

Avvertenza! Prima dell'assemblaggio, estrarre la batteria dall'elettrotensile.

- ◆ Staccare il nastro adesivo che fissa il filo da taglio sull'alloggiamento della bobina (12).

Montaggio e rimozione della batteria (Fig. B, C)

- ◆ Per montare la batteria (4), allinearla all'apposito vano sull'elettrotensile. Infilare la batteria nell'apposito vano e premerla fino a quando si aggancia in sede.
- ◆ Per estrarre la batteria, premere il pulsante di rilascio estraendo al tempo stesso la batteria dall'apposito vano.

Utilizzo

Avvertenza! Lasciare che l'elettrotensile funzioni al suo ritmo. Non sovraccaricarlo.

Ricarica della batteria

La batteria deve essere caricata prima dell'impiego iniziale e quando non eroga una potenza sufficiente per lavori che prima era possibile eseguire facilmente. Durante la carica la batteria potrebbe riscaldarsi. Si tratta di un fatto normale che non indica che vi è un problema.

Avvertenza! Non caricare la batteria a temperature ambiente inferiori a 10 °C o superiori a 40 °C. Temperatura di carica consigliata: circa 24 °C.

Nota: il caricabatteria non carica una batteria se la temperatura della cella è inferiore a 10 °C o superiore a 40 °C.

La batteria deve essere lasciata nel caricabatteria, che incomincerà a caricare automaticamente quando la temperatura della cella aumenta o diminuisce.

- ◆ Collegare il caricabatterie a una presa adatta prima di inserirvi la batteria.
- ◆ Inserire il gruppo batteria nel caricatore.



Il LED verde lampeggerà a indicare che la batteria si sta ricaricando.



Il completamento della ricarica sarà indicato dal LED verde che rimane sempre acceso. La batteria è completamente carica e può essere utilizzata subito o lasciata nel caricabatterie.

Avvertenza! Ricaricare le batterie scariche appena possibile dopo l'utilizzo, altrimenti la durata della batteria potrebbe ridursi notevolmente.

Diagnostica del caricabatterie

Questo caricabatterie è progettato per rilevare determinati problemi che possono verificarsi con i gruppi batteria o con la presa di corrente. I problemi sono indicati da una spia LED che lampeggia in diversi modi.

Batteria guasta



Il caricabatterie può rilevare una batteria debole o danneggiata. Il LED rosso lampeggia nel modo indicato sull'etichetta. Se si nota questo motivo lampeggiante di batteria guasta, non continuare a caricare la batteria. Restituirla a un centro di assistenza o a un punto di raccolta per il riciclaggio.

Ritardo dovuto a batteria calda/fredda



Quando il caricabatterie rileva una batteria troppo calda o troppo fredda avvia automaticamente un ritardo gruppo caldo/freddo, sospendendo il caricamento finché la batteria non ha raggiunto la temperatura normale. Una volta raggiunta tale condizione, il caricabatterie passa automaticamente alla modalità di ricarica gruppo. Questa funzione garantisce la massima durata della batteria. Il LED rosso lampeggia nel modo indicato sull'etichetta quando viene rilevato un ritardo gruppo caldo/freddo.

Batteria lasciata nel caricabatteria

Il caricabatteria e il battery pack possono essere lasciati collegati con il LED sempre acceso. Il caricabatteria manterrà il battery pack come nuovo e completamente carico.

Indicatore dello stato di carica

La batteria è dotata di indicatore dello stato di carica. Può essere usato per indicare il livello attuale di carica della batteria quando è nei tagliabordi e durante la ricarica. Non indica la funzionalità dell'apparecchio ed è soggetto a variazioni in base ai componenti del prodotto, alla temperatura e all'applicazione dell'utente finale.

Controllo dello stato di carica durante l'utilizzo

- ◆ Premere l'indicatore dello stato di carica (A1).
- ◆ I quattro LED (A2) si illuminano indicando la percentuale di carica della batteria (Fig. A).
- ◆ Se la spia LED non si accende, ricaricare la batteria.

Accensione e spegnimento

- ◆ Per accendere i tagliabordi premere e tenere premuto il pulsante di sblocco (3).
- ◆ Tenere premuto l'interruttore a velocità variabile (1). La velocità, la potenza e il tempo di lavoro dei tagliabordi dipendono dalla pressione esercitata sull'interruttore. Premendo leggermente l'interruttore si avranno potenza e velocità basse, ma maggiore tempo di lavoro. Premendo completamente l'interruttore si avranno potenza e velocità massime, ma minore tempo di lavoro.
- ◆ Per spegnere i tagliabordi rilasciare l'interruttore e il pulsante di spegnimento.

Avvertenza! Non tentare mai di bloccare il pulsante di accensione/spegnimento su acceso.

Funzionamento dei tagliabordi

- ◆ Accendere l'elettrotensile e, inclinatolo, farlo oscillare da un lato all'altro come mostrato nella (Fig. M).
- ◆ Mantenere un angolo di taglio di 5°-10° come mostrato nella figura M1. Non inclinare l'elettrotensile più di 10° (Fig. M2). Tagliare con l'estremità del filo. Per mantenere la distanza dalle superfici dure servirsi della guida per bordi (10). Estrarre la guida finché non scatta saldamente in posizione.
- ◆ Mantenere una distanza minima di 60 cm tra la protezione e i piedi, come illustrato nella (Fig. M3). Per ottenere questa distanza, regolare l'altezza complessiva dei tagliabordi come mostrato nella (Fig. H).

Impostazione della modalità di taglio o bordatura (Fig. I, J e K)

- ◆ Il tagliabordi può essere usato nella modalità di taglio, come illustrato nella (Fig. I), o in quella di bordatura, per tagliare l'erba sporgente lungo i bordi del prato o delle aiuole, come illustrato nella (Fig. K).

Modalità di taglio (Fig. I e J)

Per la modalità di taglio, la testa dei tagliabordi deve trovarsi nella posizione illustrata nella figura I. In caso contrario:

- ◆ Estrarre la batteria dai tagliabordi.
- ◆ Tenere premuto il pulsante di rilascio della testa (9).
- ◆ Tenendo ferma l'impugnatura ausiliaria (6), ruotare la testa (8) in senso orario.
- ◆ Rilasciare il pulsante di rilascio della testa.
- ◆ Sollevare la guida per bordi (10) nella posizione di chiusura.

Modalità di bordatura (Fig. K)

Avvertenza! Quando i tagliabordi è utilizzato in modalità bordatura, il filo può colpire pietre, pezzi di metallo e altri oggetti lanciandoli in aria ad alta velocità. Il tagliabordi e la protezione sono progettati per ridurre il pericolo, tuttavia assicurarsi che eventuali persone e animali restino a una distanza minima di 30 metri. Per eseguire il taglio dei bordi, la testa dei tagliabordi deve trovarsi nella posizione illustrata nella (Fig. K). In caso contrario:

- ◆ Estrarre la batteria dai tagliabordi.
- ◆ Tenere premuto il pulsante di rilascio (9) come mostrato nella (Fig. K).
- ◆ Tenendo ferma l'impugnatura ausiliaria (6), ruotare la testa (8) in senso antiorario.
- ◆ Rilasciare il pulsante di rilascio della testa.
- ◆ Abbassare la guida per bordi (10) nella posizione di apertura. Accertarsi che la guida sia completamente abbassata, il fatto è confermato da uno scatto.

Nota: la testa può ruotare solo in una direzione.

Avvertenza! Non utilizzare i tagliabordi per creare bordi o argini.

- ◆ Guidare i tagliabordi come mostrato nella (Fig. N).

- ◆ Per eseguire un taglio più ravvicinato, inclinare leggermente il tagliabordi.

Consigli per un utilizzo ottimale

- ◆ Utilizzare l'estremità del filo per eseguire il taglio; non forzare la testina del filo nell'erba non tagliata.
- ◆ Le recinzioni in filo spinato e le staccionate causano un'usura supplementare del filo e possono provocarne anche la rottura. I muri in pietra o mattoni, i cordoli e il legno usurano rapidamente il filo. Prestare attenzione a ridurre il contatto con superfici rigide.
- ◆ Non trascinare il coperchio della bobina sul terreno o su altre superfici.
- ◆ Se l'erba è molto alta, tagliare dall'alto verso il basso e non superare un'altezza di 30 cm.
- ◆ Per disporre del migliore angolo di taglio mantenere il tagliabordi inclinato verso l'area da tagliare
- ◆ Il tagliabordi effettua il taglio quando si muove l'unità da destra a sinistra. In questo modo si evita che i detriti vengano scagliati verso l'operatore.
- ◆ Evitare alberi e arbusti. La corteccia d'albero, le modanature in legno, i rivestimenti e i pali delle recinzioni possono essere facilmente danneggiati dal filo.

Risoluzione di inceppamenti e impigliamenti del filo Fig. O, P, Q

Avvertenza! Rimuovere la batteria dai tagliabordi prima di effettuare regolazioni del gruppo o di cambiare gli accessori. Queste precauzioni riducono la possibilità che l'apparato venga messo in funzione accidentalmente. Di volta in volta, in particolare quando si tagliano erbacce spesse o lunghe, il fulcro di alimentazione del filo potrebbe ostruirsi di linfa o altro materiale comportando l'inceppamento del filo. Per risolvere l'inceppamento seguire la procedura indicata sotto.

- ◆ Premere le linguette di rilascio sul coperchio della bobina del filo (Fig. O) e rimuovere il coperchio tirandolo.
- ◆ Estrarre la bobina del filo in nylon e rimuovere eventuale filo rotto o detrito dall'area della bobina.
- ◆ Posizionare bobina e filo nel coperchio della bobina con il filo posizionato nelle scanalature presenti come mostrato nella (Fig. P1).
- ◆ Inserire l'estremità del filo nel foro appropriato del coperchio della bobina. Tirare il filo lento finché non esce dalle scanalature di fermo come mostrato nella (Fig. P2).
- ◆ Premere delicatamente la bobina verso il basso e ruotarla fino a farla entrare in posizione. Quando si trova in posizione la bobina ruoterà liberamente di pochi gradi a sinistra e a destra.
- ◆ Prestare attenzione a evitare che il filo resti intrappolato sotto la bobina
- ◆ Allineare le linguette dei coperchi della bobina alle scanalature sull'alloggiamento della bobina (Fig. P).
- ◆ Far scattare il coperchio della bobina, assicurandosi che le linguette scattino nell'alloggiamento della bobina.

Nota: Il filo dovrà sporgere di circa 122 mm dall'alloggiamento.

Sostituzione della bobina Fig. O, P, Q ed R

- ◆ Estrarre la batteria dai tagliabordi.
- ◆ Premere le linguette e rimuovere il coperchio della bobina dall'alloggiamento sulla testa del tagliabordi (Fig. O).

- ◆ Afferrare la bobina vuota con una mano e il coperchio della bobina con l'altra ed estrarre la bobina.
- ◆ Sostituire la bobina con il modello A6482-XJ BLACK+DECKER.
- ◆ Eliminare l'eventuale sporcizia ed erba dalla bobina e dal suo coperchio.
- ◆ Se la leva (R1) alla base del coperchio della bobina esce di sede, riposizionarla nella posizione corretta prima di inserire una nuova bobina come mostrato nella (Fig. R).
- ◆ Svolgere l'estremità del filo da taglio e infilarla nell'occhiello (P2).
- ◆ Premere delicatamente la bobina nel coperchio e ruotarla fino a farla entrare in posizione. Quindi premere per farla scattare in posizione. Quando si trova in posizione la bobina ruoterà liberamente di pochi gradi a sinistra e a destra.
- ◆ Prestare attenzione ad assicurarsi che il filo non resti intrappolato sotto la bobina.
- ◆ Allineare le linguette dei coperchi della bobina alle scanalature sull'alloggiamento della bobina (Fig. Q).
- ◆ Far scattare il coperchio della bobina, assicurandosi che le linguette scattino nell'alloggiamento della bobina.

Nota: Il filo dovrà sporgere di circa 122 mm dall'alloggiamento.

Riavvolgere il filo da una matassa (usare solo filo ROTONDO di 2,0 mm di diametro) (Fig. S)

Anche il filo in matassa è acquistabile presso i rivenditori locali.

Per inserire il filo in matassa, procedere nel modo seguente:

- ◆ Estrarre la batteria dai tagliabordi.
- ◆ Estrarre la bobina vuota dall'elettrotensile come descritto nella sezione "Sostituzione della bobina".
- ◆ Rimuovere il filo da taglio rimanente dalla bobina.
- ◆ Fare un cappio all'estremità del filo da taglio a circa 19 mm (S1). Infilare il filo da taglio in una delle scanalature di ancoraggio del filo (S3).
- ◆ Accertarsi che il filo sia ben tirato contro la bobina e iniziare ad avvolgere il filo da taglio sulla bobina in direzione della freccia sulla bobina stessa
- ◆ Accertarsi che il filo sia avvolto in modo accurato e a strati. Non incrociarlo (Fig. T).
- ◆ Quando il filo da taglio avvolto raggiunge le gole (S4), la bobina è piena.
- ◆ Posizionare il filo nella scanalatura presente (Fig. P1). Tagliare il filo dalla matassa.
- ◆ Inserire la bobina nei tagliabordi come descritto nelle figure O, P, Q ed R di "Sostituzione della bobina".

NOTA: Le bobine avvolte a mano da un filo in matassa tendono a imbrogliarsi più facilmente di quelle avvolte in fabbrica da BLACK+DECKER

bobine avvolte. Per prestazioni migliori si raccomanda di usare sempre le bobine avvolte in fabbrica.

Bobine di ricambio:

#A6486-XJ (3 pezzi SA bobina e filo)

#A6482-XJ (1 pezzo SA bobina e filo)

Sistema di alimentazione automatica (Auto Feed System, AFS)

Il tagliabordi è dotato di bobina con AFS, che rileva quando il filo si rompe e lo ri-alimenta automaticamente.

Non spostare né tirare il filo. Se l'AFS non funziona adeguatamente, rimuovere la bobina e controllare che il filo sia avvolto correttamente, quindi reinserirla nello strumento.

Manutenzione

Questo elettrotensile BLACK+DECKER con o senza filo è stato progettato per funzionare a lungo con una manutenzione minima. Per ottenere prestazioni sempre soddisfacenti occorre avere cura dell'apparecchio/apparecchio e sottoporlo a pulizia periodica.

Il caricabatteria non richiede nessuna manutenzione salvo una regolare pulitura.

Avvertenza! Prima di eseguire interventi di manutenzione su elettrotensili con o senza filo, procedere come descritto di seguito.

- ◆ Spegnerne e scollegare l'apparecchio/elettrotensile dalla presa di corrente.
- ◆ Oppure spegnere ed estrarre la batteria se l'apparecchio/elettrotensile è dotato di battery pack a parte.
- ◆ Oppure scaricare completamente la batteria se è di tipo integrale e quindi spegnerlo.
- ◆ Scollegare il caricabatterie prima di pulirlo. Il caricabatteria non richiede nessuna manutenzione salvo una regolare pulitura.
- ◆ Pulire regolarmente le prese di ventilazione dell'elettrotensile/apparecchio e del caricabatterie con un pennello o con un panno morbido e asciutto.
- ◆ Pulire regolarmente l'alloggiamento del motore con un panno umido. Non usare materiali abrasivi o detergenti a base di solventi.
- ◆ Pulire regolarmente il filo da taglio e la bobina con un pennello o un panno morbido e asciutto.
- ◆ Usare regolarmente un raschietto non affilato per eliminare erba e sporcizia dalla parte inferiore della protezione.

Soluzione dei problemi

| Problema | Soluzione |
|---------------------------------------|----------------------------------------------------------------------------------------------------------------------------------------------------------------------------------------------------------------------------------------------------------------------------------------------------------------------------------------------------------------------------------------------------------------------------------------------------------------------------------------------------|
| L'elettrotensile funziona lentamente. | <p>Premere completamente l'interruttore a velocità variabile. Il livello di pressione dell'interruttore influisce sulla velocità.</p> <p>Estrarre la batteria dai tagliabordi</p> <p>Controllare che l'alloggiamento della bobina possa ruotare liberamente. Pulirlo con attenzione se necessario.</p> <p>Controllare che il filo da taglio non sporga oltre 122 mm circa dalla bobina. In caso affermativo, tagliarlo in modo che raggiunga appena la lama di tranciatura del filo da taglio.</p> |

| | |
|-----------------------------------------------------------------|----------------------------------------------------------------------------------------------------------------------------------------------------------------------------------------------------------------------------------------------------------------------------------------------------------------------------------------------------------------------------------------------------------------------------------------------------------------------------------------------------------------------------------------------------------------------------------------------------------------------------------------------------------------------------------------------------------------------------------------------------------------------------------------------------------------------------------------------------------------------------------------------------------------------------------------------------------------------------------------------------------------------------------------------------------------------------------------------------------------------------------------------------------------------------------------------------------------------------------------------------------------------------------------------------------------------------------------------------------------------------------------------------------------------------------------------------------------------------------------------------------------------------------------------------------------------------------------------------------------------------------------------------------------------------------------------------------------------------------------------------------------------------------------------------------|
| L'alimentazione automatica del filo non funziona. | <p>Quando il filo si accorcia fino a circa 76 mm viene alimentato altro filo. Per stabilire se il filo non viene alimentato, lasciarlo usurare fino a questo punto.</p> <p>Tenere premute le linguette e rimuovere il coperchio della bobina con la bobina dall'alloggiamento nella testa dei tagliabordi.</p> <p>Assicurarsi che il filo non sia incrociato sulla bobina come indicato nella (Fig. T). Se risulta incrociato, srotolare il filo da taglio e riavvolgerlo in modo ordinato.</p> <p>Controllare che i binari nella parte inferiore della bobina non siano danneggiati. Se risultano danneggiati, sostituirli.</p> <p>Tirare il filo da taglio finché non sporge di 122 mm circa dalla bobina. Se sulla bobina è rimasta una quantità insufficiente di filo da taglio, montarne una nuova.</p> <p>Allineare le linguette sul coperchio della bobina alle sfincature nell'alloggiamento.</p> <p>Premere il coperchio sull'alloggiamento fino a quando si aggancia saldamente in sede.</p> <p>Se il filo da taglio sporge oltre la lama di tranciatura, tagliarlo in modo che raggiunga appena la lama. Se l'alimentazione automatica del filo continua a non funzionare, oppure se la bobina è inceppata, provare uno dei seguenti suggerimenti:</p> <p>Pulire con attenzione la bobina e l'alloggiamento.</p> <p>Assicurarsi di utilizzare un filo di dimensione e diametro (2,00 mm) corretti; i fili di dimensione maggiore o minore compromettono la funzionalità del sistema di alimentazione automatica.</p> <p>Rimuovere la bobina e controllare che la leva all'interno dell'alloggiamento della bobina possa muoversi liberamente.</p> <p>Rimuovere la bobina e srotolare il filo da taglio, quindi riavvolgerlo in modo ordinato. Riposizionare la bobina nell'alloggiamento.</p> |
| Alimentazione eccessiva | <p>Assicurarsi di tagliare con l'estremità del filo a 177 mm dalla bobina. Per garantire che sia mantenuto lo spazio corretto utilizzare la guida per bordi.</p> <p>Assicurarsi di non superare un angolo di 10° come mostrato nella (Fig. M).</p> <p>Evitare il contatto del filo con superfici rigide come mattoni, cemento, legno ecc. Ciò impedisce usura e/o alimentazione eccessiva del filo. Tagliare con l'estremità del filo</p> |
| Sfilacci del filo quando viene rimosso il coperchio o la bobina | <p>Assicurarsi di collocare i fili nelle scanalature di fermo (figura P) prima della rimozione.</p> |

Protezione dell'ambiente



Raccolta differenziata. Questo prodotto non deve essere smaltito con i normali rifiuti domestici.

Nel caso in cui l'elettrotensile BLACK+DECKER debba essere sostituito o non sia più necessario, non smaltirlo con i normali rifiuti domestici. Metterlo da parte per la raccolta differenziata.



La raccolta differenziata dei prodotti e degli imballaggi utilizzati consente il riciclaggio dei materiali e il loro continuo utilizzo.

Il riutilizzo dei materiali riciclati favorisce la protezione dell'ambiente prevenendo l'inquinamento e riduce il fabbisogno di materie prime.

Attenersi alle disposizioni locali per la raccolta differenziata dei prodotti elettrici, che possono prevedere punti di raccolta o la consegna dell'apparecchio al rivenditore presso il quale viene acquistato un nuovo prodotto.

BLACK+DECKER offre ai propri clienti la possibilità di riciclare i prodotti BLACK+DECKER che hanno esaurito la loro vita di servizio. Per usufruire di tale servizio, è sufficiente restituire il prodotto a qualsiasi tecnico autorizzato, incaricato della raccolta per conto dell'azienda.

Per individuare il tecnico autorizzato più vicino, rivolgersi alla sede BLACK+DECKER locale, presso il recapito indicato nel presente manuale. Altrimenti, un elenco completo di tutti i tecnici autorizzati BLACK+DECKER e i dettagli completi sui contatti e i servizi post-vendita sono disponibili su Internet all'indirizzo: www.2helpU.com

Batterie



Alla fine della loro vita utile, smaltire le batterie in conformità alle norme ambientali.

- ◆ Scaricare completamente la batteria e toglierla dall'elettrotensile.
- ◆ Le batterie NiCd, NiMH e al litio-ionio sono riciclabili. Imballare la batteria o le batterie in modo idoneo per evitare che i terminali possano essere cortocircuitati. Portarle presso un tecnico autorizzato o il centro di riciclaggio di zona.
- ◆ Non cortocircuitare i terminali della batteria.
- ◆ Non smaltire le batterie bruciandole: si potrebbero causare lesioni personali o un'esplosione.

Dati tecnici

| | | |
|----------------------|------------------|-----------------|
| | | STB3620L H 1 |
| Tensione in ingresso | V_{ca} | 36 V |
| Regime a vuoto | min ¹ | 0 - 7200/min. |
| Peso | kg | 3,4 kg |

| | | |
|----------|----------|---------------|
| Batteria | | BL2036 |
| Tensione | V_{cc} | 36 V |
| Capacità | A/h | 2,0 Ah |
| Tipo | | Ioni di litio |

| | | |
|----------------------|----------|-----------------------------------|
| Caricabatteria | | LCS36 Tipo 1 |
| Tensione in ingresso | V_{ca} | 220 - 240 V |
| Tensione erogata | V_{cc} | 36 V |
| Corrente | mA A | Ingresso: 600 mA Uscita: 1,3 A |

Valore medio quadratico ponderato dell'accelerazione secondo la normativa EN 50636-2-91:

$$= < 2,5 \text{ m/s}^2, \text{ variazione (K)} = 1,5 \text{ m/s}^2.$$

$$L_w \text{ (pressione sonora)} 75 \text{ dB(A)}$$

$$\text{Variazione (K)} = 1.5 \text{ dB(A)}$$

Dichiarazione di conformità CE

**DIRETTIVA SUI MACCHINARI
DIRETTIVA SULLA RUMOROSITÀ ESTERNA**



STB3620L Tagliabordi senza filo

Black & Decker dichiara che i prodotti descritti al paragrafo "Dati tecnici" sono conformi a:
2006/42/CE, EN 60335-1:2012 + A11:2014
EN 50636-2-91:2014

2000/14/CE, Decespugliatore tagliabordi, L ≤ 50 cm, Allegato VIII
DEKRA Certification B.V., Utrechtseweg 310,
6802 ED Arnhem, Paesi Bassi
ID ente notificato n.: 0344

Livello di potenza acustica in base a 2000/14/CE (Articolo 12, Allegato III, L ≤ 50 cm):
 L_{wa} (pressione sonora misurata) 95 dB(A)
Variazione (K) = 1.5 dB(A)
 L_{wa} (pressione sonora garantita) 96 dB(A)

Questi prodotti sono conformi anche alle Direttive 2014/108/CE (fino al 19/04/2016), 2014/30/UE (dal 20/04/2016) e 2011/65/UE.

Per ulteriori informazioni, contattare Black & Decker al seguente indirizzo oppure consultare l'ultima di copertina del manuale.

Il sottoscritto è responsabile della redazione di questo documento tecnico e rilascia questa dichiarazione per conto di Black & Decker.

R. Laverick
Engineering Manager
Black & Decker Europe, 210 Bath Road, Slough,
Berkshire, SL1 3YD
Regno Unito
06/08/2015

Garanzia

Certa della qualità dei suoi prodotti, Black & Decker offre una garanzia eccezionale. Il presente certificato di garanzia è complementare ai diritti legali e non li pregiudica in alcun modo. La garanzia è valida entro il territorio degli Stati membri dell'Unione Europea e dell'EFTA (European Free Trade Area).

Se un prodotto Black & Decker risulta difettoso per qualità del materiale, della costruzione o per mancata conformità entro 24 mesi dalla data di acquisto, Black & Decker garantisce la sostituzione delle parti difettose, provvede alla riparazione dei prodotti se ragionevolmente usurati oppure alla loro sostituzione, in modo da ridurre al minimo il disagio del cliente a meno che:

- ◆ il prodotto non sia stato destinato a usi commerciali, professionali o al noleggio;
- ◆ il prodotto non sia stato usato in modo improprio o scorretto;
- ◆ il prodotto non abbia subito danni causati da oggetti o sostanze estranee oppure incidenti;
- ◆ il prodotto non abbia subito tentativi di riparazione non effettuati da tecnici autorizzati né dall'assistenza Black & Decker.

Per attivare la garanzia è necessario esibire la prova di acquisto al venditore o al tecnico autorizzato. Per individuare il tecnico autorizzato più vicino, rivolgersi alla sede Black & Decker locale, presso il recapito indicato nel presente manuale. Altrimenti, un elenco completo di tutti i tecnici autorizzati Black & Decker e i dettagli completi sui contatti e i servizi post-vendita sono disponibili su Internet all'indirizzo: www.2helpU.com

I clienti che desiderano registrare il nuovo prodotto BLACK+DECKER e ricevere gli aggiornamenti sui nuovi prodotti e le offerte speciali, sono invitati a visitare il sito Web (www.blackanddecker.it). Ulteriori informazioni sul marchio e la gamma di prodotti BLACK+DECKER sono disponibili all'indirizzo www.blackanddecker.it

Beoogd gebruik

Uw BLACK+DECKER STB3620L trimmer is ontworpen voor het maaien en afwerken van gazonranden en om gras te maaien in beperkte ruimten. Dit apparaat is uitsluitend bestemd voor consumentengebruik.

Veiligheidsinstructies

Waarschuwing! Bij apparaten voor gebruik op de netspanning moeten bepaalde elementaire voorzorgsmaatregelen, waaronder de navolgende, in acht worden genomen om het gevaar voor brand, elektrische schokken, persoonlijk letsel en materiële schade tot een minimum te beperken.

Waarschuwing! De veiligheidsregels moeten worden opgevolgd wanneer u het apparaat gebruikt. Lees voor uw eigen veiligheid en de veiligheid van omstanders deze instructies voordat u het apparaat gebruikt. Bewaar de instructies voor later gebruik.

- ◆ Lees deze handleiding zorgvuldig door voordat u het apparaat in gebruik neemt.
- ◆ Het bedoeld gebruik wordt beschreven in deze handleiding. Het gebruik van andere accessoires of hulpstukken dan wel de uitvoering van andere handelingen dan in deze gebruikershandleiding worden aanbevolen, kan tot persoonlijk letsel leiden.
- ◆ Bewaar deze handleiding zorgvuldig zodat u deze altijd nog eens kunt raadplegen.

Gebruik van uw apparaat

Ga bij gebruik van het apparaat altijd voorzichtig te werk.

- ◆ Gebruik altijd een veiligheidsbril of oogbescherming.

- ◆ Laat het apparaat nooit gebruiken door kinderen of door personen die onbekend zijn met de instructies voor het apparaat.
- ◆ Laat kinderen of dieren niet in de buurt van de werkomgeving komen, en evenmin het apparaat of netsnoer aanraken.
- ◆ Let extra goed op wanneer u het apparaat in de buurt van kinderen gebruikt.
- ◆ Dit apparaat mag niet zonder supervisie door jonge of lichamelijk zwakke mensen worden gebruikt.
- ◆ Dit apparaat mag niet als speelgoed worden gebruikt.
- ◆ Gebruik het apparaat alleen bij daglicht of goed kunstlicht.
- ◆ Gebruik het apparaat alleen op een droge locatie. Het apparaat mag niet nat worden.
- ◆ Gebruik het apparaat niet tijdens slechte weersomstandigheden, in het bijzonder bij bliksem.
- ◆ Dompel het apparaat niet onder in water.
- ◆ Open de behuizing niet. Het apparaat bevat geen onderdelen die door de gebruiker kunnen worden gerepareerd.
- ◆ Gebruik het apparaat niet in een omgeving met explosiegevaar, zoals in de nabijheid van brandbare vloeistoffen, gassen of stof.
- ◆ Haal de stekker nooit uit het stopcontact door aan de kabel te trekken. Zo voorkomt u beschadiging aan de stekker of de kabel.
- ◆ Het apparaat mag alleen worden gebruikt met de meegeleverde voedingseenheid.

Veiligheid van anderen

- ◆ Dit apparaat mag worden gebruikt door kinderen van 8 jaar en ouder en personen die lichamelijk of geestelijk minder valide zijn of die geen ervaring met of kennis van dit apparaat hebben, mits deze onder toezicht staan of instructies krijgen voor veilig manier gebruik van het apparaat en inzicht hebben in de mogelijke gevaren. Kinderen mogen niet met het apparaat spelen. Laat kinderen nooit zonder toezicht het apparaat schoonmaken of onderhouden.
- ◆ Er moet toezicht worden gehouden op kinderen om ervoor te zorgen dat deze niet met het gereedschap spelen.

Overige risico's.

Er kunnen zich tijdens het gebruik van het gereedschap ook andere risico's voordoen, die misschien niet in de bijgevoegde veiligheidswaarschuwingen worden vermeld.

Deze risico's kunnen zich voordoen als gevolg van onoordeelkundig gebruik, langdurig gebruik, enz.

Zelfs als de veiligheidsvoorschriften in acht worden genomen en de **veiligheidsvoorzieningen** worden geïmplementeerd, kunnen bepaalde risico's niet worden vermeden. Deze omvatten:

- ◆ Verwondingen die worden veroorzaakt door het aanraken van draaiende of bewegende onderdelen
- ◆ Verwondingen die worden veroorzaakt bij het vervangen van onderdelen, bladen of accessoires.
- ◆ Verwondingen die worden veroorzaakt door langdurig gebruik van het gereedschap.

Als u langere periodes met het gereedschap werkt, is het raadzaam om regelmatig een pauze in te lassen.

- ◆ Gehoorbeschadiging.
- ◆ Gezondheidsrisico's als gevolg van het inademen van stof dat door gebruik van het gereedschap wordt veroorzaakt (bijvoorbeeld tijdens het werken met hout, vooral eiken, beuken en MDF.)

Na gebruik

- ◆ Bewaar het apparaat na gebruik op een droge, goed geventileerde plaats, buiten het bereik van kinderen.
- ◆ Houd het apparaat buiten het bereik van kinderen, ook wanneer het is opgeborgen.
- ◆ Wanneer het apparaat in de auto ligt, moet u het apparaat in de kofferruimte plaatsen of goed vastzetten, zodat het apparaat niet kan wegschieten bij plotselinge veranderingen in snelheid of richting.

Inspectie en reparaties

- ◆ Controleer het apparaat vóór gebruik op beschadiging en defecten. Controleer het vooral op gebroken onderdelen en andere omstandigheden die de werking ervan kunnen beïnvloeden.
- ◆ Gebruik het apparaat niet als er een onderdeel beschadigd of defect is.
- ◆ Laat beschadigde of defecte onderdelen door een van onze servicecentra repareren of vervangen.
- ◆ Probeer nooit andere onderdelen te verwijderen of te vervangen dan in deze handleiding zijn vermeld.

Aanvullende veiligheidsinstructies voor grastrimmers

Waarschuwing! Nadat u de motor hebt uitgeschakeld, blijven de maai-elementen draaien.

- ◆ Zorg ervoor dat u vertrouwd bent met de knoppen en met het juiste gebruik van het apparaat.
- ◆ Controleer het netsnoer en het verlengsnoer vóór gebruik op tekenen van beschadiging, veroudering en slijtage. Als het netsnoer tijdens het gebruik wordt beschadigd, moet u onmiddellijk de stekker uit het stopcontact halen. **RAAK HET NETSNOER IN DAT GEVAL PAS AAN WANNEER DE STEKKER UIT HET STOPCONTACT IS.**
- ◆ Haal altijd de accu uit het apparaat wanneer het apparaat zonder toezicht wordt achtergelaten, vóór het verwijderen van een verstopping, vóór reiniging en onderhoud, na het raken van een vreemd voorwerp of telkens het apparaat abnormaal trilt.
- ◆ Gebruik het apparaat niet wanneer het netsnoer beschadigd of versleten is.
- ◆ Draag stevige schoenen of laarzen om uw voeten te beschermen.
- ◆ Draag een lange broek om uw benen te beschermen.
- ◆ Voordat u het apparaat gaat gebruiken, controleert u of het terrein dat u gaat maaien vrij van stokken, stenen, draad en andere obstakels is.
- ◆ Gebruik het apparaat alleen rechtop, met de snijdraad vlak bij de grond. Schakel het apparaat nooit in een andere stand in.
- ◆ Beweeg langzaam wanneer u het apparaat gebruikt. Let op: vers gemaaid gras is vochtig en glad.
- ◆ Werk niet op steile hellingen. Werk dwars over het vlak van een helling, niet omhoog en omlaag.
- ◆ Steek nooit grindpaden of wegen over wanneer het apparaat is ingeschakeld.
- ◆ Zorg ervoor dat u nooit de snijdraad aanraakt terwijl het apparaat in werking is.
- ◆ Leg het apparaat niet weg voordat de snijdraad helemaal tot stilstand is gekomen.
- ◆ Gebruik alleen het juiste type snijdraad. Gebruik nooit metalen snijdraad of visdraad.
- ◆ Zorg ervoor dat u de snijdraadkap niet aanraakt.
- ◆ Zorg ervoor dat het netsnoer uit de buurt van de snijdraad blijft. Zorg ervoor dat u altijd weet waar het snoer zich bevindt.
- ◆ Zorg ervoor dat u altijd uw handen en voeten uit de buurt van het snijdraad houdt, vooral wanneer u de motor inschakelt.
- ◆ Controleer het apparaat op tekenen van slijtage of schade en repareer deze indien nodig, voordat u het apparaat gebruikt en nadat het apparaat ergens tegenaan is gestoten.
- ◆ Gebruik het apparaat nooit met beschadigde beschermkappen of zonder beschermkappen.
- ◆ Zorg ervoor dat u geen verwondingen oploopt door apparaten die worden gebruikt om de snijlijn op lengte te snijden. Nadat u een nieuwe snijlijn hebt uitgetrokken, moet u het apparaat terugbrengen naar de normale gebruikspositie voordat u het apparaat inschakelt.
- ◆ Zorg er altijd voor dat de ventilatiesleuven niet verstopt raken.

- ◆ Gebruik de gazontrimmer (randtrimmer) niet wanneer de snoeren beschadigd of versleten zijn.
- ◆ Houd verlengsnoeren uit de buurt van maaielementen.

Aanvullende veiligheidsinstructies voor accu's en laders

Accu's

- ◆ Probeer niet om accu's te openen, om welke reden ook.
- ◆ Stel de accu niet bloot aan water.
- ◆ Bewaar deze niet op locaties waar de temperatuur boven 40 °C kan stijgen.
- ◆ Laad de accu's alleen op bij een omgevingstemperatuur van 10-40 °C.
- ◆ Gebruik alleen de lader die bij het apparaat is geleverd.
- ◆ Gooi lege accu's weg volgens de instructies in het gedeelte Het milieu beschermen.

Laders

- ◆ Gebruik de lader van BLACK+DECKER alleen voor de accu's in het apparaat waarbij de lader is bijgeleverd. Andere accu's kunnen exploderen met lichamelijk letsel en schade aan eigendommen als gevolg.
- ◆ Niet-laadbare accu's mogen nooit worden opgeladen.
- ◆ Een defect snoer moet direct worden vervangen.
- ◆ Stel de lader niet bloot aan water.
- ◆ Open de lader niet.
- ◆ Prik nooit met een scherp voorwerp in de lader.



De adapter is uitsluitend bestemd voor gebruik binnenshuis.



Lees voor gebruik deze gebruikershandleiding.

Elektrische veiligheid



De lader is dubbel geïsoleerd, zodat een aardaansluiting niet nodig is. Controleer altijd of de netspanning overeenkomt met de waarde op het typeplaatje. Probeer de lader nooit te vervangen door een normale netstekker.

- ◆ Als het netsnoer is beschadigd, moet dit worden vervangen door de fabrikant of een BLACK+DECKER-servicecentrum om gevaar te voorkomen.

Labels op het apparaat

Naast de datumcode is het apparaat voorzien van de volgende waarschuwingssymbolen:



Lees de handleiding voordat u met het apparaat gaat werken.



Draag een veiligheidsbril of een stofbril als u dit apparaat gebruikt.



Maak gebruik van goede gehoorbescherming wanneer u dit apparaat gebruikt.



Haal altijd de accu uit het apparaat voordat u reiniging of onderhoud uitvoert.



Wees bedacht op rondvliegende voorwerpen. Houd omstanders uit de buurt van het snijgebied.



Stel het apparaat niet bloot aan regen of een hoge luchtvochtigheid.



Richtlijn 2000/14/EG gegarandeerd geluidsvermogen.

Onderdelen

Dit apparaat kan een of meer van de volgende onderdelen bevatten.

1. Variabele snelheidstrekker
2. Draaggreep
3. Ontgrendelingsknop
4. Accu
5. Oplaadindicator
6. Hulphandgreep
7. Vergrendelinghendel voor hoogteafstelling
8. Trimmerkop
9. Koprotatieknop
10. Randgeleider
11. Beschermkap
12. Spoelbehuizing
13. Spoelkap

Monteren

Waarschuwing! Schakel voorafgaand aan de montage het gereedschap uit en verwijder de accu.

Aanbrengen van de beschermkap (Afb. D & E)

- ◆ Verwijder de schroef (E1) van de beschermkap.
- ◆ Houd de beschermkap recht ten opzichte van de trimmerkop en schuif het volledig in totdat het vatszeltipje klikt. Zorg dat de geleiderails (D1) op de beschermkap (11) juist met de geleiderails (D2) op de trimmerkop (D3) zijn uitgelijnd (Afbeelding D). Het vergrendelingslipje (D4) moet in de sleuf van de behuizing (D5) klikken.
- ◆ Zet de beschermkap met de schroef (E1) vast (Afbeelding E).

Waarschuwing! Gebruik het gereedschap nooit wanneer de beschermkap niet juist is bevestigd.

De hulpgreep vastmaken (Afb. F&G)

- ◆ Druk de hulpgreep (F1) op de buis (F2).
- ◆ Schuif de bout (G1) door de zeskantige opening in de greep en door de tegenoverliggende zijde.
- ◆ Draai de knop (G2) rechtsom vast op de bout.

Waarschuwing! Zorg dat de centrale rib zich in de gleuf van de buis bevindt.

De stand van de hulpgreep aanpassen (Afb. G)

De hulpgreep (6) kan worden aangepast voor de beste balans en gebruiksgemak.

- ◆ Draai de knop (G2) linksom los van de bout (G1).
- ◆ Schuif de hulpgreep voorzichtig omhoog of omlaag over de buis (F2) tot deze zich op de gewenste hoogte bevindt.
- ◆ Draai de knop (G2) rechtsom vast op de bout (G1).

De hoogte van het gereedschap instellen (Afb. H)

Pas de lengte van de trimmer aan om een juiste werkpositie te krijgen, zoals weergegeven in Afbeelding M.

Dit gereedschap heeft een telescopisch mechanisme waarmee u het kunt instellen op een comfortabele werkhogte.

Stel als volgt de hoogte in:

- ◆ Open de vergrendelinghendel voor hoogteafstelling (7).
- ◆ Schuif de buis (H1) voorzichtig in en uit tot deze de gewenste lengte heeft.
- ◆ Sluit de vergrendelinghendel voor hoogteafstelling (7).

De snijdraad losmaken

Tijdens transport is de snijdraad aan de spoelbehuizing bevestigd met tape.

Waarschuwing! Verwijder de accu uit het gereedschap voordat u met de montage begint.

- ◆ Verwijder de tape waarmee de snijdraad aan de spoelbehuizing (12) is bevestigd.

De accu plaatsen en verwijderen (Afb. B,C)

- ◆ U plaatst de accu (4) door deze op één lijn te plaatsen met het contragedeelte op het gereedschap. Schuif de accu in het contragedeelte en duw totdat de accu vastklikt.
- ◆ Als u de accu wilt verwijderen, drukt u op de vergrendelingsknop en trekt u tegelijkertijd de accu uit het contragedeelte.

Gebruik van het apparaat

Waarschuwing! Laat het gereedschap in zijn eigen tempo werken. Niet overbelasten.

De accu opladen

De accu moet vóór het eerste gebruik worden opgeladen en ook zodra deze niet meer voldoende vermogen levert voor taken die eerst gemakkelijk konden worden uitgevoerd. Tijdens het opladen kan de accu warm worden. Dit is normaal en duidt niet op een probleem.

Waarschuwing! Laad de accu niet op bij omgevingstemperaturen onder 10°C of boven 40°C.

Aanbevolen laadtemperatuur: ongeveer 24 °C.

Opmerking: De lader functioneert niet als de temperatuur van de accu lager is dan ongeveer 10 °C of hoger dan 40 °C.

Laat de accu in dat geval in de lader zitten. De lader wordt automatisch ingeschakeld wanneer de accu de juiste temperatuur heeft.

- ◆ Steek de stekker van de lader in een gepast stopcontact voordat u de accu installeert.
- ◆ Plaats de accu in de lader.



Het groene ledlampje zal knipperen om aan te duiden dat de accu opgeladen wordt.



De accu is volledig opgeladen als het groene ledlampje constant aan blijft. De accu is nu volledig opgeladen en kan worden gebruikt of in de acculader blijven zitten.

Waarschuwing! Laad een ontladen accu zo snel mogelijk na gebruik op of de levensduur van de accu kan aanzienlijk afnemen.

Problemen met de accu

Deze accu is ontworpen om bepaalde problemen te detecteren die zich bij accu's of de voedingsbron kunnen voordoen. De problemen worden aangegeven door één ledlampje dat in verschillende patronen knippert.

Slechte accu



De lader kan een zwakke of beschadigde accu detecteren. De rode led knippert in het patroon zoals aangegeven op het label. Als u dit knipperpatroon van een slechte accu ziet, stop dan met het opladen van de accu. Breng de accu naar een servicecentrum of een inzamelpunt voor recycling.

Warme/koude accuvertraging



Wanneer de lader detecteert dat een accu aanzienlijk warm of koud is, wordt de warme/koude accuvertraging automatisch gestart en wordt het opladen onderbroken totdat de accu opnieuw op normale temperatuur is. De lader schakelt vervolgens automatisch naar de acculaadmodus. Deze functie zorgt voor een maximale levensduur van de accu. De rode led knippert in het patroon zoals aangegeven op het label wanneer de warme/koude accuvertraging wordt gedetecteerd.

De accu in de lader laten zitten

U kunt de accu gedurende onbepaalde tijd in de lader laten zitten terwijl het oplaadlampje brandt. De lader zorgt ervoor dat de accu altijd volledig opgeladen is.

Laadniveau-indicator

De accu is uitgerust met een laadniveau-indicator. Deze kan worden gebruikt voor het weergeven van het huidige laadniveau tijdens het gebruik en tijdens het opladen. Het geeft de juiste werking van het apparaat niet aan en is onderhevig aan afwijking door de onderdelen van het product, de temperatuur en de toepassing van de eindgebruiker.

Het laadniveau tijdens het gebruik controleren

- ◆ Druk op de knop van de laadniveau-indicator (A1).
- ◆ De vier leds (A2) branden om het huidige laadpercentage in de accu aan te geven (Afb. A).
- ◆ Indien het ledlampje niet brandt, moet u de accu opladen.

In- en uitschakelen

- ◆ Om de trimmer in te schakelen, drukt en houdt u de ontgrendelingsknop (3) ingedrukt.

- ◆ Druk de variabele snelheidstrekker (1) in. De snelheid, vermogen en looptijd van de trimmer is afhankelijk van hoe ver u de trekker indrukt. De trekker lichtjes indrukken resulteert in een lagere snelheid en vermogen, maar een langere looptijd. De trekker volledig indrukken resulteert in een maximale snelheid en vermogen, maar een kortere looptijd.
- ◆ Om de trimmer uit te schakelen, laat u zowel de trekker als de ontgrendelingsknop los.

Waarschuwing! Probeer nooit om de aan/uit-knop in de ingeschakelde stand te vergrendelen.

De trimmer gebruiken

- ◆ Beweeg terwijl de eenheid is ingeschakeld de trimmer onder een hoek met een schommelbeweging van zij naar zij, zoals is weergegeven in (Afb. M).
- ◆ Handhaaf een snijhoek van 5° tot 10°, zoals is weergegeven in Afb. M1. Voorkom een hoek van meer dan 10° (Afb. M2). Maai met het uiteinde van de draad. Bewaar afstand ten opzichte van harde oppervlakken met behulp van de randgeleider (10). Trek de geleider uit totdat deze stevig in positie klikt.
- ◆ Neem een afstand van minstens 60 cm in acht tussen de beschermkap en uw voeten, zoals is weergegeven in (Afb. M3). Stel de algehele hoogte van de trimmer af om deze afstand te bereiken, zoals is weergegeven in (Afb. H).

Het apparaat op maaien of randafwerking instellen (Afb. I, J en K)

- ◆ Het gereedschap kan worden gebruikt voor maaien, zoals weergegeven in (Afb. I), of voor randafwerking om overhangend gras te maaien langs gazonranden en bloemperken, zoals weergegeven in (Afb. K).

Maaimodus (Afb. I en J)

Voor het maaien moet de trimmerkop zich bevinden in de stand die wordt weergegeven in Afb. I. Doe het volgende wanneer dit niet het geval is:

- ◆ Verwijder de accu uit de trimmer.
- ◆ Houd de ontgrendelingsknop van de kop (9) ingedrukt.
- ◆ Houd de hulpgreep (6) vast en draai de kop (8) linksom.
- ◆ Laat de ontgrendelknop van de kop los.
- ◆ Plaats de randgeleider (10) in de vergrendelde stand.

Randafwerking (Afb. K)

Waarschuwing! Wanneer het apparaat wordt gebruikt voor randafwerking, kunnen stenen, stukken metaal en andere voorwerpen door de draad met hoge snelheid worden weggeslingerd. De trimmer en beschermkap zijn specifiek ontworpen om het gevaar te beperken. Zorg er echter voor dat andere personen en huisdieren zich op minstens 30 meter bevinden. Voor randafwerking moet de trimmerkop zich bevinden in de stand die is weergegeven in (Afb. K). Wanneer dit niet het geval is:

- ◆ Verwijder de accu uit de trimmer.
- ◆ Houd de ontgrendelingsknop van de kop (9) ingedrukt, zoals is weergegeven in (Afb. K).
- ◆ Houd de hulpgreep (6) vast en draai de kop (8) linksom.
- ◆ Laat de ontgrendelknop van de kop los.
- ◆ Plaats de randgeleider (10) in de ontgrendelde stand.

Zorg dat de randafwerkingsgeleider tot het uiterste punt omlaag is geduwd. U zult een hoorbare klik horen.

Opmerking: De kop draait slechts in één richting.

Waarschuwing! Gebruik de trimmer niet om randen of geulen te maken.

- ◆ Leid de trimmer zoals weergegeven in (Afb. N).
- ◆ Hef de trimmer een beetje omhoog om korter te maaien.

Tips voor optimaal gebruik

- ◆ Gebruik het uiteinde van de draad om te snijden; duw de draadkop niet in het ongemaaide gras.
- ◆ Omheiningen van draad en palen kunnen tot extra slijtage en breuk van de snijdraad leiden. Muren van stenen en baksteen, stoeranden en hout kunnen voor vroegtijdige slijtage van de snijdraad zorgen. Vermijd zo veel mogelijk het contact met harde oppervlakken.
- ◆ Zorg dat de spoelkap niet over de grond of een ander oppervlak sleept.
- ◆ In lang gras, maai u van boven naar onder en niet meer dan 30 cm in hoogte.
- ◆ Houd de trimmer scheef ten opzichte van het te maaien gras; dit is de beste snijhoek.
- ◆ De trimmer snijdt tijdens een beweging van rechts naar links. Dit vermijdt dat het grasafval naar de gebruiker toe wordt geslingerd.
- ◆ Blijf uit de buurt van bomen en heesters. Boomschors, houten lijstwerk, gevelbeplating en palen van een omheining kunnen door de snijdraad makkelijk schade oplopen.

Vastzittende lijndraad losmaken Afb. O, P, Q

Waarschuwing! Haal de accu uit de trimmer voordat u aanpassingen aan het apparaat uitvoert of accessoires vervangt. Deze voorzorgsmaatregelen helpen onbedoeld starten van het apparaat te voorkomen. Nu en dan, voornamelijk tijdens het maaien van dik of sprietig gras, is het mogelijk dat de draadtoevoeranaaf verstopt raakt door sap of een ander materiaal zodat de draad vast komt te zitten. Om de draad opnieuw los te maken, voert u de volgende stappen uit:

- ◆ Druk op de ontgrendelingslipjes op de draadspoelkap zoals weergegeven in (Afb. O) en verwijder de kop door deze omhoog af te trekken.
- ◆ Trek de nylon draadspoel uit en verwijder eventueel gebroken draad of vuil uit de spoelzone.
- ◆ Plaats de spoel en draad in de spoelkap met de draad 'geparkeerd' in de voorziene gleuven, zoals weergegeven in (Afb. P1).
- ◆ Breng het draaduiteinde door het gepaste gat in de spoelkap. Trek de slappe draad verder totdat het uit de vastzetgleuven komt, zoals weergegeven in (Afb. P2).
- ◆ Duw de spoel voorzichtig omlaag en draai het totdat het op zijn plaats komt vast te zitten. Eenmaal op zijn plaats zal de spoel enkele graden ongehinderd naar links en rechts draaien.
- ◆ Let op dat de draad niet onder de spoel gekneld raakt.
- ◆ Breng de spoelkaplipjes op één lijn met de gleuven op de spoelbehuizing (Afb. P).

- ◆ Plaats de spoelkap terug op het apparaat zodat de lipjes in de spoelbehuizing klikken.

Opmerking: de draad moet circa 122 mm uit de behuizing steken.

De spoel vervangen Afb. O, P, Q en R

- ◆ Verwijder de accu uit de trimmer.
- ◆ Houd de lipjes ingedrukt en verwijder de spoelkap van de behuizing op de trimmerkop (Afb. O).
- ◆ Pak de lege spoel met één hand vast en de spoelbehuizing met de andere hand en trek de spoel naar buiten.
- ◆ Vervang de spoel door een BLACK+DECKER model A6482-XJ.
- ◆ Verwijder alle vuil en gras van de spoel en de spoelkap.
- ◆ Als de hendel (R1) in de voet van de spoelkap loskomt, plaatst u deze opnieuw in de juiste positie voordat u een nieuwe spoel inbrengt, zoals weergegeven in (Afb. R.).
- ◆ Maak het uiteinde van de snijdraad los en geleid de draad door het oogje (P2).
- ◆ Druk de spoel voorzichtig in de spoelkap en draai deze totdat het in de juiste plaats valt. Duw vervolgens op de spoel totdat deze op zijn plaats klikt. Eenmaal op zijn plaats zal de spoel enkele graden ongehinderd naar links en rechts draaien.
- ◆ Zorg dat de draad hierbij niet onder de spoel gekneld raakt.
- ◆ Breng de spoelkaplipjes op één lijn met de gleuven op de spoelbehuizing (Afb. Q).
- ◆ Plaats de spoelkap terug op het apparaat zodat de lipjes in de spoelbehuizing klikken.

Opmerking: de draad moet circa 122 mm uit de behuizing steken.

Draad op de spoel wikkelen vanaf een draadklos (gebruik alleen RONDE draad met een diameter van 2,0 mm) (Afb. S)

Draad op een draadklos is eveneens verkrijgbaar bij uw plaatselijke detailhandelaar. Volg de onderstaande stappen om de draad van de draadklos te plaatsen:

- ◆ Verwijder de accu uit de trimmer.
- ◆ Verwijder de lege spoel uit de trimmer, zoals is beschreven in 'De spoel vervangen'.
- ◆ Verwijder overgebleven snijdraad van de spoel.
- ◆ Vouw het einde van de snijdraad op een afstand van ongeveer 19 mm (S1). Breng de snijdraad in een van de draadverankeringsgleuven (S3).
- ◆ Zorg dat de draad strak tegen de spoel is getrokken en begin met het opwinden van de snijdraad op de spoel in de richting van de pijl die op de spoel is aangegeven.
- ◆ Zorg dat u de draad netjes en in lagen opwikkelt. Wikkel de draad niet kruislings (Afb. T).
- ◆ Wanneer de opgewikkelde snijdraad tot de inkepingen (S4) reikt, moet u de draad afsnijden.
- ◆ Plaats de draad in de voorziene 'geparkeerde' sleuf (Afb. P1). Knip de draad vanaf de spoelklos door.
- ◆ Plaats de spoel op de trimmer, zoals is beschreven in 'De spoel vervangen', Afbeeldingen O, P, Q en R.

OPMERKING: Met de hand opgewikkelde spoelen vanaf een draadklos zullen waarschijnlijk vaker vast komen te zitten dan in de fabriek opgewikkelde spoelen van BLACK+DECKER. Met het oog op optimale resultaten wordt het gebruik van in de fabriek opgewikkelde spoelen aanbevolen.

Reservespoelen:

#A6486-XJ (3 stuks SA spoel en draad)

#A6482-XJ (1 stuk SA spoel en draad)

Automatisch toevoersysteem (ATS)

De draadtrimmer is voorzien van een ATS-spoel die detecteert wanneer de draad breekt en vervolgens automatisch nieuwe draad toevoert. Tik niet op of trek niet aan de draad. Als de ATS de draad niet juist toevoert, verwijdert u de spoel en controleert u of de draad juist is opgewonden. Breng de spoel vervolgens opnieuw in het gereedschap.

Onderhoud

Uw BLACK+DECKER-gereedschap/apparaat (met netsnoer/snoerloos) is ontworpen om gedurende langere tijd te functioneren met een minimum aan onderhoud. U kunt het gereedschap/apparaat naar volle tevredenheid blijven gebruiken als u voor correct onderhoud zorgt en het regelmatig schoonmaakt. Naast regelmatige reiniging vereist de lader geen onderhoud.

Waarschuwing! Doe altijd het volgende voordat u onderhouds- of reinigingswerkzaamheden aan het gereedschap (met snoer/snoerloos) uitvoert.

- ◆ Schakel het gereedschap/apparaat uit en trek de stekker uit het stopcontact.
- ◆ Als het gereedschap/apparaat een afzonderlijke accu heeft, schakelt u het gereedschap/apparaat uit en haalt u de accu eruit.
- ◆ Als de accu is ingebouwd, laat u deze volledig ontladen. Schakel dan het apparaat uit.
- ◆ Neem de lader uit het stopcontact voordat u het gereedschap schoonmaakt. Naast regelmatige reiniging vereist de lader geen onderhoud.
- ◆ Reinig regelmatig de ventilatieopeningen van het gereedschap/apparaat en de lader met een zachte borstel of droge doek.
- ◆ Reinig de behuizing van de motor regelmatig met een vochtige doek. Gebruik geen schuur- of oplosmiddel.
- ◆ Reinig de snijdraad en spoel regelmatig met een zachte borstel of een droge doek.
- ◆ Gebruik regelmatig een botte krabber om gras en vuil van onder de beschermkap te verwijderen.

Problemen oplossen

| Probleem | Oplossing |
|--------------------------------------------------------------|------------------------------------------------------------------------------------------------------------------------------------------------------------------------------------------------------------------------------------------------------------------------------------------------------------------------------------------------------------------------------------------------------------------------------------------------------------------------------------------------------------------------------------------------------------------------------------------------------------------------------------------------------------------------------------------------------------------------------------------------------------------------------------------------------------------------------------------------------------------------------------------------------------------------------------------------------------------------------------------------------------------------------------------------------------------------------------------------------------------------------------------------------------------------------------------------------------------------------------------------------------------------------------------------------------------------------------------------------------------------------------------------------------------------------------------------------------------------------------------------------------------------------------------------------------------------------------------------------------------------------------------------|
| Het apparaat werkt langzaam. | <p>Duw de variabele snelheidstrekker volledig in. Het indrukniveau van de trekker heeft een invloed op de snelheid.</p> <p>Verwijder de accu uit de trimmer.</p> <p>Controleer of de spoelbehuizing vrij kan draaien. Reinig de behuizing zorgvuldig, indien nodig.</p> <p>Controleer of de snijdraad niet meer dan circa 122 mm uit de spoel steekt. Als de snijdraad verder uitsteekt, moet u de draad afsnijden totdat deze niet verder dan de snijdraadkap reikt.</p> |
| De automatische draadtoevoer brengt geen draad aan. | <p>Er wordt meer draad toegevoerd wanneer de draad nog slechts circa 76 mm lang is. Om na te gaan of de draad niet wordt toegevoerd, laat u de draad voorbij dit punt verslijten.</p> <p>Houd de lipjes ingedrukt en verwijder de spoelkap met de spoel van de spoelbehuizing in de trimmerkop.</p> <p>Zorg dat de draad op de spoel niet kruislings is opgewonden, zoals aangegeven in (Afb. T). Als de draadlijn is afgewonden, windt u deze opnieuw netjes op.</p> <p>Inspecteer de sporen aan de onderkant van de spoel op schade. Vervang de spoel indien schade wordt waargenomen.</p> <p>Trek aan de snijdraad totdat deze circa 122 mm uit de spoel steekt. Als de spoel onvoldoende snijdraad bevat, moet u een nieuwe spoel met snijdraad plaatsen. Breng de lipjes op de spoelkap op één lijn met de uitsparingen in de behuizing. Druk de spoelkap op de behuizing, totdat deze stevig vastklikt.</p> <p>Als de snijdraad verder uitsteekt dan de snijdraadkap, moet u de draad afsnijden totdat deze niet verder dan de kap reikt. Als het automatisch verlengen niet werkt of wanneer de spoel is geblokkeerd, kunt u de volgende suggesties proberen: Reinig de spoel en de behuizing voorzichtig.</p> <p>Zorg dat u de juiste grootte en diameter (2,00 mm) van draad gebruikt - dunner of dikkere draden hebben een negatieve invloed op de werking van het automatisch toevoersysteem.</p> <p>Verwijder de spoel en controleer of de hendel in de spoelbehuizing ongehinderd kan bewegen.</p> <p>Verwijder de spoel en wind de snijdraad af, wind vervolgens opnieuw netjes op. Plaats de spoel opnieuw in de behuizing.</p> |
| Overmatige toevoer | <p>Zorg dat u maait met het uiteinde van de draad 177 mm uit de spoel. Indien nodig, gebruikt u de randgeleider om een handhaving van de juiste ruimte te garanderen.</p> <p>Zorg dat u niet maait tegen een hoek groter dan 10°, zoals weergegeven in (Afb. M). Zorg dat de draad geen harde oppervlakken aanraakt, zoals baksteen, beton, hout, etc. Dit vermijdt overmatige slijtage en/of toevoer van de draad. Maai met het uiteinde van de draad.</p> |
| De draad ontfafelt wanneer de kap of spoel wordt verwijderd. | <p>Zorg dat de draden in de vastzet sleuven worden 'geparkeerd' (Afbelding P) alvorens te verwijderen.</p> |

Het milieu beschermen



Aparte inzameling. Dit product mag niet bij het normale huishoudafval worden weggegooid.

Mocht u op een dag constateren dat het BLACK+DECKER-product aan vervanging toe is of dat u het apparaat niet meer nodig hebt, gooi het product dan niet bij het restafval. Het product valt onder de categorie voor elektrische apparaten.



Gescheiden inzameling van gebruikte producten en verpakkingsmaterialen maakt het mogelijk materialen te recycleren en opnieuw te gebruiken. Hergebruik van gerecycleerde materialen zorgt voor minder milieuvervuiling en dringt de vraag naar grondstoffen terug.

Plaatselijke verordeningen kunnen voorzien in gescheiden inzameling van huishoudelijke elektrische producten via gemeentelijke stortplaatsen of via de leverancier bij wie u een nieuw product aanschaft.

BLACK+DECKER biedt een service voor het inzamelen en hergebruiken van BLACK+DECKER-producten als deze aan het einde van hun levensduur zijn gekomen. Om gebruik te maken van deze service, dient u het product naar een van onze servicecentra te sturen, die de inzameling voor ons verzorgen.

U kunt de locatie van de dichtstbijzijnde geautoriseerde dealer vinden door contact op te nemen met het BLACK+DECKER-kantoor op het adres dat in deze handleiding is aangegeven. Daarnaast is er een lijst van geautoriseerde BLACK+DECKER-dealers en de complete gegevens van onze after-sales service op internet beschikbaar bij: www.2helpU.com

Accu's



Gooi afgedankte accu's op verantwoorde wijze weg:

- ◆ Ontlaad de batterij volledig en verwijder deze vervolgens uit het gereedschap.
- ◆ NiCd-, NiMH- en lithium-ionbatterijen kunnen worden hergebruikt. Plaats de accu(s) in een geschikte verpakking om te voorkomen dat de polen worden kortgesloten. Breng deze naar een servicecentrum of een inzamellocatie in uw woonplaats.
- ◆ Voorkom dat de polen van de batterij worden kortgesloten.
- ◆ Gooi de accu's nooit in het vuur. Dit kan letsel of een explosie tot gevolg hebben.

Technische gegevens

| | | |
|--------------------|-------------------|-----------------|
| | | STB3620L H 1 |
| Ingangsspanning | V_{ac} | 36 V |
| Onbelaste snelheid | min ⁻¹ | 0-7200/min |
| Gewicht | kg | 3,4 kg |

| | | |
|------------|----------|--------|
| Accu | | BL2036 |
| Spanning | V_{ac} | 36 V |
| Capaciteit | Ah | 2,0Ah |
| Type | | Li-Ion |

| | | |
|------------------|----------|----------------------------------|
| Lader | | LCS36 Type 1 |
| Ingangsspanning | V_{ac} | 220-240 V |
| Uitgangsspanning | V_{dc} | 36 V |
| Stroom | mA A | Invoer: 600 mA Uitvoer: 1,3 A |

Gewogen waarde van hand-armtrilling, gemeten volgens EN 50636-2-91:

= < 2,5 m/s, onzekerheid (K) = 1,5 m/s.

L_{wa} (geluidsdruk) 75 dB(A)

onzekerheid (K) = 1.5 dB(A)

EG-conformiteitsverklaring**MACHINERICHTLIJN
RICHTLIJN VOOR GELUID BUITENSHUIS**

STB3620L Accutrimmer

Black & Decker verklaart dat deze producten, die zijn beschreven bij 'Technische gegevens', voldoen aan:
2006/42/EG, EN 60335-1:2012 + A11:2014
EN 50636-2-91:2014

2000/14/EG, Gazotrimmer, L ≤ 50 cm, bijlage VIII
DEKRA Certification B.V., Utrechtseweg 310,
6802 ED Arnhem, Nederland
Aangemelde instantie ID Nr.: 0344

Niveau van akoestisch vermogen volgens 2000/14/EG (Artikel 12, bijlage III, L ≤ 50 cm):

L_{m} (gemeten geluidsvermogen) 95 dB(A)
onzekerheid (K) = 1.5 dB(A)

L_{m} (gegarandeerd geluidsvermogen) 96 dB(A)

Deze producten voldoen tevens aan richtlijn 2014/108/EG (tot 19/04/2016), 2014/30/EU (vanaf 20/04/2016) en 2011/65/EU.

Neem voor meer informatie contact op met Black & Decker op het volgende adres of raadpleeg de achterzijde van de handleiding.

Ondergetekende is verantwoordelijk voor de compilatie van het technische bestand en doet deze verklaring namens Black & Decker.

R. Laverick
Engineering Manager
Black & Decker Europe, 210 Bath Road, Slough,
Berkshire, SL1 3YD
Verenigd Koninkrijk
06/08/2015

Garantie

Black & Decker heeft vertrouwen in haar producten en biedt een uitstekende garantie. Deze garantiebepalingen vormen een aanvulling op uw wettelijke rechten en beperken deze niet. Deze garantie is geldig binnen het territoriaal gebied van de Lidstaten van de Europese Unie en de Europese Vrijhandelszone.

Mocht uw Black & Decker product binnen 24 maanden na de datum van aankoop defect raken ten gevolge van materiaal- of constructiefouten, dan garanderen wij de kosteloze vervanging van defecte onderdelen, de reparatie van het product of de vervanging van het product, tenzij:

- ◆ Het product is gebruikt voor handelsdoeleinden, professionele toepassingen of verhuurdoeleinden.
- ◆ Het product onoordeelkundig is gebruikt.
- ◆ Het product is beschadigd door invloeden van buitenaf of door een ongeval.
- ◆ Reparaties zijn uitgevoerd door anderen dan onze servicecentra of Black & Decker-personeel.

Voor een garantie-aanspraak moet u een bewijs van aankoop overhandigen aan de verkoper of aan een geautoriseerde dealer. U kunt het adres van het dichtstbijzijnde servicecentrum opvragen via de adressen op de achterzijde van deze handleiding. U kunt ook een lijst van Black & Decker-servicecentra en meer informatie m.b.t. onze klantenservice vinden op het volgende internetadres: www.2helpU.com

Meld u aan op onze website www.blackanddecker.nl om uw nieuwe BLACK+DECKER-product te registreren en om te worden geïnformeerd over nieuwe producten en speciale aanbiedingen. Verdere informatie over het merk BLACK+DECKER en onze producten vindt u op www.blackanddecker.nl.

Uso específico

La cortadora BLACK+DECKER STB3620L se ha diseñado para cortar y acabar bordes de césped y para cortar césped en zonas difíciles. Este aparato se ha diseñado únicamente para uso doméstico.

Instrucciones de seguridad

¡Advertencia! Si utiliza aparatos conectados a la red eléctrica, es necesario seguir las precauciones de seguridad básicas, incluidas las que se indican a continuación, para reducir el riesgo de incendios, descargas eléctricas, lesiones y daños materiales.

¡Advertencia! Cuando utilice el aparato se deben seguir las normas de seguridad. Por su propia seguridad y por la de otras personas, lea estas instrucciones antes de utilizar el aparato. Conserve estas instrucciones para consultarlas en un futuro.

- ◆ Lea todo el manual detenidamente antes de utilizar el aparato.
- ◆ El uso previsto se describe en este manual. La utilización de accesorios o la realización de operaciones distintas de las recomendadas en este manual de instrucciones puede presentar un riesgo de lesiones.
- ◆ Conserve este manual para futuras consultas.

Utilización del aparato

Tenga siempre mucho cuidado al utilizar el aparato.

- ◆ Utilice siempre gafas protectoras.
- ◆ Nunca permita que los niños ni las personas no familiarizadas con estas instrucciones utilicen el aparato.
- ◆ Evite que los niños y animales se acerquen a la zona de trabajo y toquen el aparato o el cable de alimentación.
- ◆ Procure tener cuidado si utiliza el aparato cerca de niños.

- ◆ Este aparato está pensado para utilizarse con la supervisión correspondiente en el caso de menores o personas que no cuentan con la fuerza necesaria.
- ◆ Este aparato no es un juguete.
- ◆ Utilice el aparato únicamente a la luz del día o con iluminación artificial adecuada.
- ◆ Utilícelo únicamente en lugares secos. Tenga cuidado de no mojar el aparato.
- ◆ Evite usar el aparato en condiciones climáticas adversas, en especial cuando haya riesgo de relámpagos.
- ◆ No sumerja el aparato en agua.
- ◆ No abra la carcasa. Las piezas del interior del aparato no pueden ser reparadas por el usuario.
- ◆ No utilice el aparato en un entorno con peligro de explosión, en el que se encuentren líquidos, gases o materiales en polvo inflamables.
- ◆ Para evitar dañar las clavijas o los cables, no tire nunca del cable para extraer la clavija de la toma de corriente.
- ◆ El aparato solo debe utilizarse con la unidad de alimentación que se entrega con el aparato.

Seguridad de terceros

- ◆ Ninguna persona (incluidos los niños a partir de 8 años de edad) con capacidades físicas, sensoriales o mentales disminuidas, o que carezca de experiencia y conocimientos, debe utilizar este aparato, salvo que haya recibido supervisión o formación con respecto al uso del aparato de una forma segura y que comprenda los peligros que entraña. Los niños no deben jugar con el aparato.

Ningún niño deberá realizar las tareas de limpieza y mantenimiento, salvo que lo hagan bajo supervisión.

- ◆ Los niños deben vigilarse en todo momento para garantizar que el aparato no se toma como elemento de juego.

Riesgos residuales.

El uso de esta herramienta puede producir riesgos residuales adicionales no incluidos en las advertencias de seguridad adjuntas.

Estos riesgos se pueden generar por un uso incorrecto, demasiado prolongado, etc. El cumplimiento de las normas de seguridad correspondientes y el uso de dispositivos de seguridad no evitan ciertos riesgos residuales. Estos riesgos incluyen:

- ◆ Lesiones producidas por el contacto con piezas móviles o giratorias.
- ◆ Lesiones producidas al cambiar cualquier pieza, cuchilla o accesorio.
- ◆ Lesiones producidas al usar una herramienta por un tiempo demasiado prolongado. Si utiliza una herramienta durante períodos de tiempo demasiado prolongados, asegúrese de realizar pausas con frecuencia.
- ◆ Discapacidad auditiva.
- ◆ Riesgos para la salud producidos al respirar el polvo que se genera cuando se utiliza la herramienta (ejemplo: en los trabajos con madera, especialmente si son de roble, haya y tableros de densidad mediana).

Después de la utilización

- ◆ Cuando el aparato no esté en uso, deberá guardarse en un lugar seco, bien ventilado y lejos del alcance de los niños.

- ◆ Los niños no deben tener acceso a los aparatos guardados.
- ◆ Cuando se guarde o transporte el aparato en un vehículo, deberá colocarse en el maletero o asegurarse para evitar movimientos producidos por cambios repentinos en la velocidad o la dirección.

Inspecciones y reparaciones

- ◆ Antes de utilizarlo, compruebe que el aparato no contenga piezas dañadas ni defectuosas. Compruebe que no hay piezas rotas u otros defectos que puedan afectar al funcionamiento del aparato.
- ◆ No utilice el aparato si alguna de sus piezas está dañada o defectuosa.
- ◆ Solicite a un agente de servicio técnico autorizado la reparación o sustitución de las piezas dañadas o defectuosas.
- ◆ Nunca intente extraer ni sustituir ninguna pieza que no esté especificada en este manual.

Instrucciones de seguridad adicionales para cortadoras de césped

¡Advertencia! Una vez apagado el motor, los elementos de corte continuarán girando.

- ◆ Familiarícese con los controles y el uso correcto del aparato.
- ◆ Antes de utilizar el cable de alimentación y el cable de extensión, compruebe que no están dañados, gastados o deteriorados. Si se daña un cable mientras utiliza el producto, desconecte el cable de la red eléctrica inmediatamente. **NO TOQUE EL CABLE SIN HABERLO DESCONECTADO PREVIAMENTE DE LA RED ELÉCTRICA.**

- ◆ Siempre quite la batería del aparato cuando esté desatendido, antes de eliminar una obstrucción, antes de limpiarlo o realizar un servicio de mantenimiento, luego de que golpee contra un objeto extraño o toda vez que el aparato comience a vibrar de forma inusual.
- ◆ No utilice el aparato si los cables están dañados o desgastados.
- ◆ Utilice calzado resistente para proteger los pies.
- ◆ Vista pantalones largos para proteger las piernas.
- ◆ Antes de utilizar el aparato, compruebe que la zona que vaya a cortar no tenga ramas, piedras, alambres o ningún otro obstáculo.
- ◆ Utilice el aparato solamente en posición vertical, con la línea de corte cerca del suelo. No conecte nunca el aparato en otra posición.
- ◆ Mueva lentamente el aparato cuando lo utilice. Tenga en cuenta que el césped recién cortado está húmedo y resbaladizo.
- ◆ No trabaje en pendientes pronunciadas. Trabaje en sentido transversal a la pendiente, no hacia arriba o abajo.
- ◆ Nunca cruce caminos de grava ni carreteras mientras el aparato está en funcionamiento.
- ◆ Nunca toque la línea de corte mientras el aparato está en funcionamiento.
- ◆ No deposite el aparato hasta que la línea de corte se detenga por completo.
- ◆ Utilice únicamente el tipo de línea de corte apropiado. Nunca utilice líneas de corte o sedales de metal.
- ◆ Tenga cuidado de no tocar la hoja de la línea de corte.
- ◆ Tenga sumo cuidado en mantener el cable de alimentación lejos de la línea de corte. Tenga cuidado con la posición del cable en todo momento.
- ◆ Mantenga las manos y los pies alejados de la línea de corte en todo momento, especialmente al encender el motor.
- ◆ Antes de utilizar el aparato y después de cualquier impacto, compruebe si hay señales de desgaste o daños y repárelos si fuera necesario.
- ◆ Nunca utilice el aparato con protectores dañados o que no estén colocados en su lugar.
- ◆ Tome precauciones contra las lesiones causadas por cualquier dispositivo colocado para cortar la línea de filamentos. Después de prolongar una nueva línea de corte, coloque de nuevo el aparato en su posición normal de funcionamiento antes de encenderlo.
- ◆ Asegúrese siempre de que las ranuras de ventilación no tengan restos.
- ◆ No utilice el cortacésped (cortasetos) si los cables están dañados o desgastados.
- ◆ Mantenga los cables de extensión alejados de los elementos de corte.

Instrucciones de seguridad adicionales para baterías y cargadores

Baterías

- ◆ No intente abrirlas bajo ningún concepto.
- ◆ No exponga la batería al agua.
- ◆ No las almacene en lugares en los que la temperatura pueda superar los 40 °C.
- ◆ Realice la carga únicamente a una temperatura ambiente de entre 10 °C y 40 °C.

- ◆ Utilice únicamente el cargador suministrado con la herramienta para realizar la carga.
- ◆ Para desechar las pilas o las baterías, siga las instrucciones facilitadas en la sección “Protección del medio ambiente”.

Cargadores

- ◆ Solo debe utilizar el cargador BLACK+DECKER para cargar la herramienta con la que se suministró. Si intenta cargar otras baterías, estas podrían explotar y provocar lesiones y daños materiales.
- ◆ Nunca intente cargar baterías no recargables.
- ◆ Sustituya los cables defectuosos inmediatamente.
- ◆ No exponga el cargador al agua.
- ◆ No abra el cargador.
- ◆ No aplique ningún dispositivo para medir la resistencia del cargador.



Este adaptador está pensado únicamente para utilizarse en un lugar interior.



Antes de su uso, lea el manual de instrucciones.

Seguridad eléctrica



El cargador presenta un aislamiento doble; por lo tanto, no se requiere conexión a tierra. Cada vez que utilice el aparato, debe comprobar que el voltaje de la red eléctrica corresponde con el valor indicado en la placa de características. No intente sustituir el cargador por un enchufe convencional para la red eléctrica.

- ◆ Si se daña el cable de alimentación, el fabricante o un centro de servicio técnico autorizado de BLACK+DECKER deberán sustituirlo para evitar riesgos.

Etiquetas del aparato

Junto con el código de la fecha, en el aparato aparecen los siguientes símbolos de advertencia:



Lea el manual antes de utilizar el aparato.



Cuando utilice el aparato, lleve siempre gafas protectoras.



Cuando maneje el aparato, utilice protectores adecuados para los oídos.



Siempre extraiga la batería del aparato antes de realizarle una limpieza o servicio de mantenimiento.



Tenga cuidado con los objetos que salen volando. Mantenga a otras personas alejadas de la zona de corte.



No exponga el aparato a la lluvia ni a una humedad elevada.



Directiva 2000/14/CE sobre la potencia acústica garantizada.

Características

Este aparato incluye una o más de las siguientes características.

1. Gatillo de velocidad variable
2. Mango
3. Botón de desbloqueo
4. Batería
5. Indicador de carga
6. Empuñadura auxiliar
7. Palanca de bloqueo de ajuste de altura
8. Cabeza de la cortadora
9. Botón de rotación de la cabeza
10. Guía de corte
11. Protector
12. Compartimento para la bobina
13. Tapón de la bobina

Montaje

¡Advertencia! Antes de proceder al montaje, compruebe que la herramienta está apagada y que ha retirado la batería.

Ajuste del protector (Figs. D y E)

- ◆ Extracción del tornillo (E1) del protector
- ◆ Con el protector en forma recta a la cabeza de la cortadora, deslícelo por completo en su lugar hasta que la lengüeta de retención haga un chasquido. Asegúrese de que los rieles de guía (D1) del protector (11) estén correctamente alineados con los rieles de guía (D2) de la cabeza de la cortadora (D3) (Figura D). La lengüeta de bloqueo (D4) debe sujetarse a presión en la ranura de la carcasa (D5).

- ◆ Asegure el protector con el tornillo (E1) (Figura E).
- ¡Advertencia!** Nunca utilice la herramienta a menos que el protector esté colocado correctamente.

Sujeción de la empuñadura auxiliar (Figs. F y G)

- ◆ Empuje la empuñadura auxiliar (F1) sobre el tubo (F2).
- ◆ Deslice el perno (G1) hacia el interior del orificio de forma hexagonal de la empuñadura y a través del lado opuesto.
- ◆ Apriete el selector (G2) sobre el perno girándolo en el sentido de las agujas del reloj.

¡Advertencia! Asegúrese de que el reborde central se encuentre ubicado en la ranura del tubo.

Ajuste de la posición de la empuñadura auxiliar (Fig. G)

Puede ajustar la empuñadura auxiliar (6) para obtener el máximo equilibrio y comodidad.

- ◆ Afloje el selector (G2) del perno (G1) girándolo en el sentido contrario a las agujas del reloj.
- ◆ Deslice suavemente el mango secundario hacia arriba y hacia abajo por el tubo (F2) hasta situarlo a la altura que resulte más cómoda.
- ◆ Apriete el selector (G2) al perno (G1) girándolo en el sentido de las agujas del reloj.

Ajuste de la altura de la herramienta (Fig. H)

Ajuste la longitud de la cortadora para obtener una posición de trabajo apropiada como se muestra en la Figura M. Esta herramienta dispone de un mecanismo telescópico que permite regular la altura para su comodidad.

Para ajustar la altura, siga los pasos siguientes:

- ◆ Suelte la palanca de bloqueo de ajuste de altura (7).
- ◆ Deslice suavemente el tubo (H1) hacia arriba o hacia abajo hasta que quede a la altura deseada.
- ◆ Cierre la palanca de bloqueo de ajuste de altura (7).

Extracción de la línea de corte

Mientras se encuentra en tránsito, la línea de corte está sujeta con una cinta al compartimento para la bobina.

¡Advertencia! Antes de proceder al montaje, extraiga la batería de la herramienta.

- ◆ Extraiga la cinta que sujeta la línea de corte al compartimento para la bobina (12).

Inserción y extracción de la batería (Figs. B y C)

- ◆ Para insertar la batería (4), alinéela con el receptáculo de la herramienta. Deslice la batería dentro del receptáculo y empújela hasta que encaje en su sitio.
- ◆ Para extraer la batería, presione el botón de liberación a la vez que tira de la batería para extraerla del receptáculo.

Uso

¡Advertencia! Deje que la herramienta funcione a su ritmo. No la sobrecargue.

Carga de la batería

Es necesario cargar la batería antes del primer uso y cada vez que perciba que no dispone de suficiente potencia para tareas que eran fáciles de realizar anteriormente. Es posible que la batería se caliente durante la carga, algo que es normal y no denota ningún problema.

¡Advertencia! No cargue la batería a temperaturas ambiente inferiores a los 10 °C o superiores a los 40 °C. Temperatura de carga recomendada: aprox. 24 °C.

Nota: el cargador no cargará la batería si la temperatura de esta es inferior a los 10 °C o superior a los 40 °C aproximadamente.

Deje la batería en el cargador y este empezará a cargarla automáticamente cuando la temperatura de la batería aumente o disminuya.

- ◆ Conecte el cargador a la toma adecuada antes de introducir el paquete de baterías.
- ◆ Inserte el paquete de batería en el cargador.



El LED verde parpadeará para indicar que la batería se está cargando.



Se indicará la finalización de la carga por medio del LED verde que permanece encendido de forma continua. La batería está cargada por completo y puede usarse en este momento o dejarse en el cargador.

¡Advertencia! Recargue las baterías descargadas lo más pronto posible luego de usarlas. De lo contrario, la vida útil de la batería puede quedar ampliamente disminuida.

Diagnóstico del cargador

Este cargador está diseñado para detectar determinados problemas que pueden surgir con los paquetes de baterías o con la fuente de alimentación. Los problemas son indicados por el parpadeo de uno de los LED con diferentes patrones.

Batería deficiente



El cargador puede detectar una batería dañada o deficiente. El LED rojo parpadea con el patrón indicado en la etiqueta. Si ve este patrón de parpadeo de batería deficiente, interrumpa la carga de la batería. Lévela a un Centro técnico o a un sitio de recolección de reciclados

retardo por batería fría/caliente



Cuando el cargador detecta una batería excesivamente caliente o fría, inicia un retardo de la recarga del paquete por calor/frío y suspende la carga hasta que la batería se ha normalizado. Luego de ello, el cargador automáticamente pasa al modo de Carga paquete. Esta función garantiza una máxima vida útil de la batería. El LED rojo parpadea con el patrón indicado en la etiqueta cuando se detecta un retardo de la carga del paquete por frío/calor.

Si la batería se deja en el cargador

El cargador y la batería pueden permanecer conectados durante un periodo de tiempo indefinido con el indicador LED iluminado. El cargador mantendrá la batería a baja temperatura y completamente cargada.

Indicador del estado de la carga

La batería incluye un indicador del estado de la carga. Se puede utilizar para visualizar el nivel actual de la carga de la batería durante el uso y durante la carga. No indica la funcionalidad de la herramienta y está sujeto a variaciones, de acuerdo con los componentes del producto, la temperatura y la aplicación del usuario final.

Comprobación del estado de la carga de la batería durante el uso

- ◆ Pulse el botón del indicador de estado de la carga (A1).
- ◆ Los cuatro LED (A2) se encenderán para indicar el porcentaje de carga en la batería (Fig. A).
- ◆ Si la luz LED no se ilumina, cargue la batería.

Encendido y apagado

- ◆ Para encender la cortadora, presione y sostenga el botón de bloqueo (3).
- ◆ Oprima el gatillo de velocidad variable (1). La velocidad de la cortadora, la potencia y el tiempo de ejecución dependen de cuán profundo oprima el gatillo. Si lo oprime ligeramente, el gatillo proporcionará una menor velocidad y potencia, pero un mayor tiempo de ejecución. Si lo oprime por completo, obtendrá una velocidad y potencia máximas, pero un menor tiempo de ejecución.
- ◆ Para apagar la cortadora, suelte tanto el gatillo como el botón de bloqueo.

¡Advertencia! No intente nunca trabar el botón de encendido/apagado en la posición de encendido.

Uso de la cortadora

- ◆ Una vez encendida la unidad, inclínela y balancee lentamente la cortadora de lado a lado tal como se muestra en la (Fig. M).
- ◆ Mantenga un ángulo de corte de entre 5° y 10°, tal como se muestra en la figura M1. No permita que se superen los 10° (Fig. M2). Corte con la punta de la línea. Para mantener la distancia con las superficies duras, utilice la guía de corte (10). Tire de la guía hacia afuera hasta que se sujete a presión con firmeza en su lugar
- ◆ Mantenga una distancia mínima de 60 cm entre el protector y sus pies tal como se muestra en la (Fig. M3). Para alcanzar esa distancia, ajuste la altura general de la cortadora tal como se muestra en la (Fig. H).

Ajuste del corte o modo de orillado (Fig. I, J y K)

- ◆ La cortadora puede utilizarse en modo de corte como se muestra en la (Fig. I) o en modo de orillado, para cortar la hierba que sobresale por encima de los bordes del césped y los parterres como se muestra en la (Fig. K).

Modo de corte (Figs. I y J)

Para cortar, la cabeza de la cortadora debería estar en la posición que se muestra en la Fig. I. Si no es así:

- ◆ Extraiga la batería de la cortadora.
- ◆ Pulse y mantenga pulsado el botón de liberación de la cabeza (9).
- ◆ Mientras sujeta la empuñadura auxiliar (6), gire la cabeza (8) en el sentido de las agujas del reloj.
- ◆ Suelte el botón de liberación de la cabeza.
- ◆ Eleve la guía de orillado (10) hacia la posición cerrada.

Modo de orillado (Fig. K)

¡Advertencia! Al utilizar la unidad como cortadora de bordes, la línea puede expulsar trozos de metal y otros objetos a una gran velocidad. La cortadora y el protector están diseñados para reducir el peligro. No obstante, asegúrese de que otras personas y mascotas estén, al menos, a 30 metros de distancia. Para orillar, la cabeza de la cortadora debería estar en la posición que se muestra en la (Fig. K). Si no es así:

- ◆ Extraiga la batería de la cortadora.
- ◆ Pulse y mantenga pulsado el botón de liberación de la cabeza (9) tal como se muestra en la (Fig. K).
- ◆ Mientras sujeta la empuñadura auxiliar (6), gire la cabeza (8) en el sentido contrario a las agujas del reloj.
- ◆ Suelte el botón de liberación de la cabeza.
- ◆ Descienda la guía de corte (10) en la posición abierta. Asegúrese de que la guía de corte esté completamente colocada hacia abajo; se oirá un chasquido sonoro.

Nota: La cabeza solamente girará en un sentido.

¡Advertencia! No utilice la cortadora para crear orillas o zanjas.

- ◆ Guíe la cortadora como se muestra en la (Fig. N).
- ◆ Para realizar un corte más a ras, incline ligeramente la cortadora.

Consejos para un uso óptimo

- ◆ Utilice la punta de la línea para realizar el corte; no fuerce la cabeza de la cuerda en el pasto largo.
- ◆ Los cercos de alambre y madera generan un desgaste extra de la línea, e incluso la quiebran. Las paredes de ladrillo y piedras, cordones y madera desgastarán la línea rápidamente. Tome precauciones para disminuir su contacto con las superficies duras.
- ◆ No permita que el tapón de la bobina se arrastre por el suelo u otras superficies.
- ◆ En pastizales muy crecidos, corte desde arriba hacia abajo y no supere los 30 cm de altura.
- ◆ Mantenga inclinada la cortadora hacia el área de corte; este es el mejor ángulo de corte
- ◆ La cortadora corta al pasar la unidad de derecha a izquierda. Esto evitará que le caigan residuos al operador.
- ◆ Evite los árboles y los arbustos. Los troncos de árboles, la madera moldeada, el revestimiento y los postes de los cercos pueden dañarse fácilmente con la línea.

Eliminación de obstrucciones y línea enredada (Figs. O, P y Q)

¡Advertencia! Extraiga la batería de la cortadora antes de realizar ajustes en la unidad o cambiarle accesorios. Estas medidas preventivas de seguridad reducen el riesgo de conectar el aparato accidentalmente. De vez en cuando, en especial al cortar pastizales gruesos o con tallos, el centro de alimentación de la línea puede obstruirse con savia u otro material y, así, la línea se atascará. Para eliminar la obstrucción, siga los pasos siguientes.

- ◆ Presione las lengüetas de liberación del tapón de la bobina de línea como se muestra en la (Fig. O) y extraiga el tapón tirándolo directamente hacia afuera.
- ◆ Extraiga la bobina de línea de nailon y limpie los pedazos de línea rota o los residuos del área de la bobina.
- ◆ Coloque la bobina y la línea en el tapón de la bobina con la línea "detenida" en las ranuras incluidas como se muestra en la (Fig. P1).
- ◆ Inserte el extremo de la línea a través del orificio correspondiente en el tapón de la bobina. Tire de la línea floja hasta que salga de las ranuras de retención como se muestra en la (Fig. P2).
- ◆ Presione la bobina con cuidado y gírela hasta que sienta que cae en su lugar. Una vez colocada en su lugar, la bobina girará unos cuantos grados a izquierda y derecha libremente.
- ◆ Tenga cuidado de mantener la línea sin que se atasque en la bobina
- ◆ Alinee las lengüetas del tapón de la bobina con las ranuras en la carcasa (Fig. P).
- ◆ Vuelva a sujetar a presión el tapón de la bobina, asegurándose de que las orejas se sujeten a presión sobre la carcasa de la bobina.

Nota: La línea debería sobresalir aproximadamente 122 mm de la carcasa.

Reemplazo de la bobina (Figs. O, P, Q y R)

- ◆ Extraiga la batería de la cortadora.
- ◆ Presione las lengüetas y extraiga el tapón de la bobina de la carcasa de la bobina en la cabeza de la cortadora (Fig. O).

- ◆ Agarre la bobina vacía con una mano, el tapón de la bobina con la otra y tire de la bobina hacia fuera.
- ◆ Reemplace la bobina con una BLACK+DECKER modelo A6482-XJ.
- ◆ Elimine la suciedad y los restos de césped de la bobina y de su tapón.
- ◆ Si se desengancha la palanca (R1) en la base del tapón de la bobina, vuelva a colocarla en posición correcta antes de insertar una nueva bobina como se muestra en la (Fig. R).
- ◆ Libere el extremo de la línea de corte y guíe la línea hasta el interior de la abertura (P2).
- ◆ Presione la bobina con cuidado dentro de su tapón y gírela hasta que sienta que cae en su lugar. Luego, empújela a presión en su lugar. Cuando esté en su lugar, la bobina girará unos cuantos grados a izquierda y derecha libremente.
- ◆ Tenga cuidado de mantener la línea sin que se atasque debajo de la bobina.
- ◆ Alinee las lengüetas del tapón de la bobina con las ranuras en su carcasa (Fig. Q).
- ◆ Vuelva a sujetar a presión el tapón de la bobina, asegurándose de que las orejas se sujeten a presión sobre la carcasa de la bobina.

Nota: La línea debería sobresalir aproximadamente 122 mm de la carcasa.

Recogida de la bobina desde la línea de paquete (solo con líneas de diámetro REDONDO de 2.0 mm). (Fig. S)

También puede comprar líneas de paquete a su proveedor local.

Para instalar la línea de paquete, siga estos pasos:

- ◆ Extraiga la batería de la cortadora.
- ◆ Retire la bobina vacía de la cortadora tal como se describe en "Sustitución de la bobina".
- ◆ Retire cualquier línea de corte restante de la bobina.
- ◆ Pliegue el extremo de la línea de corte en, aproximadamente, 19 mm (S1). Pase la línea de corte hacia el interior de una de las ranuras de anclaje de la línea (S3).
- ◆ Asegúrese de que la línea quede firme contra la bobina y comience a desenrollar la línea de corte en la bobina, en la dirección de la flecha sobre aquella
- ◆ Asegúrese de enrollar la línea de manera que no cuelgue y por capas. No la enrolle entrecruzada (Fig. T).
- ◆ Cuando la línea de corte enrollada llegue hasta las hendiduras (S4), significa que la bobina está llena.
- ◆ Ubique la línea en la ranura "de detención" incluida (Fig. P1). Corte la línea del carretel.
- ◆ Ajuste la bobina sobre la cortadora tal como se describe en "Sustitución de la bobina" (Figuras O, P, Q y R).

NOTA: Las bobinas enrolladas manualmente desde el carretel de línea tienden a liarse con más frecuencia que las enrolladas de fábrica de BLACK+DECKER. Para obtener los mejores resultados, se recomienda utilizar siempre bobinas enrolladas de fábrica.

Bobinas de reemplazo:

N.º A6486-XJ (Bobina SA de 3 piezas y línea)
N.º A6482-XJ (1 bobina SA y línea)

Sistema de alimentación automática (AFS)

La cortadora de línea viene equipada con una bobina con sistema AFS, que detecta cuando la línea se rompe y vuelve a introducirla automáticamente. No golpee la línea ni tire de ella. Si el sistema AFS no introduce la línea correctamente, extraiga la bobina, verifique que el cable esté correctamente enrollado, y vuelva a insertarla en la herramienta.

Mantenimiento

Su aparato o herramienta con o sin cable de BLACK+DECKER se ha diseñado para que funcione durante un largo período de tiempo con un mantenimiento mínimo. El funcionamiento satisfactorio continuado depende de un cuidado apropiado y una limpieza periódica de la herramienta o aparato.

El cargador no requiere ningún mantenimiento especial excepto una limpieza periódica.

¡Advertencia! Antes de realizar el mantenimiento de herramientas eléctricas con o sin cables:

- ◆ Apague y desenchufe el aparato o herramienta.
- ◆ O bien, apague y extraiga las pilas o la batería del aparato o herramienta, en caso de que disponga de una batería separada.
- ◆ O bien, deje que la batería se agote por completo si es integral y, a continuación, apague el aparato.
- ◆ Desenchufe el cargador antes de limpiarlo. El cargador no requiere ningún mantenimiento especial excepto una limpieza periódica.
- ◆ Limpie periódicamente las ranuras de ventilación de la herramienta, aparato y cargador con un cepillo suave o un paño seco.
- ◆ Limpie periódicamente la carcasa del motor con un paño húmedo. No utilice limpiadores de base abrasiva o disolventes.
- ◆ Limpie periódicamente la línea de corte y la bobina con un cepillo suave o un paño seco.
- ◆ Utilice periódicamente un raspador sin filo para eliminar los restos de hierba y la suciedad acumulada debajo del protector.

Solución de problemas

| Problema | Solución |
|---------------------------------|-----------------------------------------------------------------------------------------------------------------------------------------------------------------------------------------------------------------------------------------------------------------------------------------------------------------------------------------------------------------------------------------------------------------------------------------------------------------------------|
| El aparato funciona lentamente. | <p>Oprima por completo el gatillo de velocidad variable. El nivel de opresión del gatillo afecta la velocidad.</p> <p>Extraiga la batería de la cortadora</p> <p>Compruebe que el compartimento para la bobina puede girar sin problemas. Límpielo con cuidado si fuera necesario.</p> <p>Verifique que la línea de corte no sobresalga más de, aproximadamente, 122 mm de la bobina. Si sobresale, córtela de modo que solo llegue hasta la hoja de la línea de corte.</p> |

| | |
|----------------------------------------------------------------------------|--------------------------------------------------------------------------------------------------------------------------------------------------------------------------------------------------------------------------------------------------------------------------------------------------------------------------------------------------------------------------------------------------------------------------------------------------------------------------------------------------------------------------------------------------------------------------------------------------------------------------------------------------------------------------------------------------------------------------------------------------------------------------------------------------------------------------------------------------------------------------------------------------------------------------------------------------------------------------------------------------------------------------------------------------------------------------------------------------------------------------------------------------------------------------------------------------------------------------------------------------------------------------------------------------------------------------------------------------------------------------------------------------------------------------------------------------------------------------------------------------------------------------------------------------------------------------------------------------------------------------------------------------------------------------------------------------------------------------|
| <p>El alimentador automático de línea no alimenta la línea.</p> | <p>Se alimenta más línea cuando la línea se acorta a aproximadamente 76 mm. Para establecer si la línea no está siendo alimentada, deje que la línea pase de este punto.</p> <p>Mantenga oprimidas las lengüetas y extraiga el tapón de la bobina desde su carcasa en la cabeza de la cortadora.</p> <p>Asegúrese de que la línea no esté cruzada en la bobina como se detalla en la (Fig. T). De ser así, desenrolle la línea de corte y vuelva a enrollarla prolijamente.</p> <p>Revise los rieles en la base de la bobina para ver que no están dañados. Si lo están, reemplace la bobina.</p> <p>Tire de la línea de corte hasta que sobresalga en, aproximadamente, 122 mm de la bobina. Si se deja una línea de corte insuficiente en la bobina, instale una nueva bobina de línea de corte. Alinee las lengüetas del tapón de la bobina con los cortes de la carcasa. Empuje el tapón de la bobina en la carcasa hasta que se coloque en su lugar correctamente.</p> <p>Si la línea de corte sobresale más allá de la hoja de corte, córtela de modo que llegue justo hasta la altura de la hoja. Si la alimentación automática de la línea no funciona o la bobina está atascada, pruebe hacer lo siguiente:</p> <p>Limpie con cuidado la bobina y su carcasa.</p> <p>Asegúrese de estar usando el tamaño y diámetro correctos de la línea (2,00 mm). Los tamaños de línea más grandes o más pequeños afectarán la funcionalidad del sistema de alimentación automática. Extraiga la bobina y verifique que la palanca en su carcasa pueda moverse libremente.</p> <p>Extraiga la bobina y desenrolle la línea de corte. Luego, enróllela otra vez con prolijidad. Vuelva a colocar la bobina en la carcasa.</p> |
| <p>Sobrealimentación</p> | <p>Asegúrese de estar cortando con la punta de la línea a 177 mm de la bobina. De ser necesario, utilice la guía de orillado para garantizar un espacio adecuado.</p> <p>Asegúrese de no estar superando un ángulo de 10° como se muestra en la (Fig. M). Evite que la línea toque superficies duras, como ladrillos, concreto, madera, etc. Esto evitará la sobrealimentación de la línea o su desgaste excesivo. Corte con la punta de la línea</p> |
| <p>La línea se desenreda cuando se extraen el tapón o la bobina</p> | <p>Asegúrese de apoyar las líneas en las ranuras de retención (Figura P) antes de extraerla.</p> |

Protección del medio ambiente



Recogida selectiva. Este producto no debe desecharse con los residuos domésticos normales.

Si llegase el momento en que fuese necesario sustituir su producto BLACK+DECKER o si este dejase de tener utilidad para usted, no lo deseche junto con los residuos domésticos. Sepárelo para su recogida selectiva.



La recogida selectiva de productos y embalajes usados permite el reciclaje de materiales y su reutilización.

La reutilización de materiales reciclados contribuye a evitar la contaminación medioambiental y reduce la demanda de materias primas.

Las normativas municipales deben ofrecer la recogida selectiva de productos eléctricos del hogar en puntos municipales previstos para tal fin o a través del distribuidor cuando adquiera un nuevo producto.

BLACK+DECKER proporciona facilidades para la recogida y reciclado de los productos BLACK+DECKER que han llegado al final de su vida útil. Para poder utilizar este servicio, le rogamos que entregue el producto a cualquier agente de servicio técnico autorizado para que se haga cargo de él en nuestro nombre.

Para consultar la dirección del agente de servicio técnico más cercano, póngase en contacto con la oficina local de BLACK+DECKER en la dirección que se indica en este manual. Por otro lado, encontrará una lista de los talleres de reparación autorizados de BLACK+DECKER y todos los detalles de nuestro servicio de posventa y los contactos disponibles en Internet, en: www.2helpU.com

Baterías



Cuando las baterías lleguen al final de su vida útil, deséchelas respetando el medio ambiente:

- ◆ Deje que la batería se agote por completo y, a continuación, extráigala de la herramienta.
- ◆ Las baterías de níquel cadmio (NiCd), de hidruro de níquel-metal (NiMH) y de iones de litio son reciclables. Coloque las baterías en un embalaje adecuado de modo que los terminales no entren en contacto y provoquen un cortocircuito. Llévelas al agente autorizado más cercano o a un centro de reciclaje local.
- ◆ Procure no provocar un cortocircuito entre los terminales de la batería.
- ◆ No arroje las baterías al fuego, ya que podría provocar daños personales o una explosión.

Datos técnicos

| | | |
|---------------------|-------------------|-----------------|
| | | STB3620L H 1 |
| Voltaje de entrada | V_{in} | 36 V |
| Velocidad sin carga | min. ¹ | 0 - 7200/min |
| Peso | kg | 3,4 kg |

| | | |
|-----------|----------|----------------|
| Batería | | BL2036 |
| Voltaje | V_{in} | 36 V |
| Capacidad | Ah | 2,0 Ah |
| Tipo | | Iones de litio |

| | | |
|--------------------|-----------|----------------------------------|
| Cargador | | LCS36 Tipo 1 |
| Voltaje de entrada | V_{in} | 220-240 V |
| Voltaje de salida | V_{out} | 36 V |
| Corriente | mA A | Entrada: 600 mA Salida: 1,3 A |

Valor de vibración ponderada mano/brazo, según EN 50636-2-91:

= < 2,5 m/s, incertidumbre (K) = 1,5 m/s.

L_w (presión acústica) 75 dB(A)

incertidumbre (K) = 1.5 dB(A)

Declaración de conformidad de CE

DIRECTIVA SOBRE MÁQUINAS DIRECTIVA SOBRE LA EMISIÓN DE RUIDO EN EXTERIORES



Cortadora de línea inalámbrica STB3620L

Black & Decker declara que los productos descritos en "datos técnicos" cumplen las normas:

2006/42/EC, EN 60335-1:2012 + A11:2014
EN 50636-2-91:2014

2000/14/CE, Cortacésped, $L \leq 50$ cm, Anexo VIII
DEKRA Certification B.V., Utrechtseweg 310,
6802 ED Arnhem, Países Bajos
N.º de ID del departamento notificado: 0344

Nivel de intensidad acústica de acuerdo con la directiva
2000/14/CE (artículo 12, anexo III, $L \leq 50$ cm):
 L_{m} (potencia acústica medida) 95 dB(A)
incertidumbre (K) = 1.5 dB(A)
 L_{m} (potencia acústica garantizada) 96 dB(A)

Estos productos también cumplen con las Directivas
2014/108/CE (hasta el 19.04.2016), 2014/30/UE (desde el
20.04.2016) y 2011/65/UE.

Si desea obtener más información, póngase en contacto con
Black & Decker a través de la siguiente dirección o consulte la
contracubierta del manual.

El abajo firmante es responsable de la elaboración del
expediente técnico y realiza esta declaración en nombre de
Black & Decker.

R. Laverick
Director de ingeniería
Black & Decker Europa, 210 Bath Road, Slough,
Berkshire, SL1 3YD
Reino Unido
06/08/2015

Garantía

Black & Decker confía en la calidad de sus productos y ofrece una garantía extraordinaria. Esta declaración de garantía es un añadido, y en ningún caso un perjuicio para sus derechos legales. La garantía es válida dentro de los territorios de los Estados miembros de la Unión Europea y de los de la Zona Europea de Libre Comercio.

Si un producto Black & Decker resultara defectuoso debido a materiales o mano de obra defectuosos o a la falta de conformidad, Black & Decker garantiza, dentro de los 24 meses siguientes a la fecha de compra, la sustitución de las piezas defectuosas, la reparación de los productos sujetos a un desgaste y rotura razonables o la sustitución de tales productos para garantizar al cliente el mínimo de inconvenientes, a menos que:

- ◆ El producto se haya utilizado con propósitos comerciales, profesionales o de alquiler.
- ◆ El producto se haya sometido a un uso inadecuado o negligente.
- ◆ El producto haya sufrido daños causados por objetos o sustancias extrañas o accidentes.
- ◆ Se hayan realizado reparaciones por parte de personas que no sean del servicio técnico autorizado o personal de servicios de Black & Decker.

Para reclamar en garantía, será necesario que presente la prueba de compra al vendedor o al agente de servicio técnico autorizado. Para consultar la dirección del agente de servicio técnico más cercano, póngase en contacto con la oficina local de Black & Decker en la dirección que se indica en este manual. Como opción alternativa, puede consultar la lista de agentes de servicio técnico autorizados de Black & Decker y obtener la información completa de nuestros servicios de posventa y los contactos disponibles en la siguiente dirección de Internet: www.2helpU.com

Visite nuestro sitio web www.blackanddecker.es para registrar su nuevo producto BLACK+DECKER y estar al día de los nuevos productos y las ofertas especiales. Encontrará información adicional sobre la marca BLACK+DECKER y nuestra gama de productos en www.blackanddecker.es

Utilização a que se destina

O seu cortador BLACK+DECKER STB3620L foi concebido para aparar as extremidades dos relvados e para cortar relva em espaços exíguos. Este aparelho destina-se apenas a utilização doméstica.

Instruções de segurança

Atenção! Ao utilizar aparelhos eléctricos, deve sempre cumprir medidas de segurança básicas, incluindo as que se seguem, de modo a reduzir os riscos de incêndio, choque eléctrico e ferimentos.

Atenção! Ao utilizar a máquina, terá de seguir as regras de segurança. Para sua segurança e das outras pessoas, leia estas instruções antes de utilizar a máquina. Mantenha as instruções em local seguro para futuras consultas.

- ◆ Leia com atenção todo o manual antes de utilizar o aparelho.
- ◆ A utilização adequada é descrita neste manual. A utilização de qualquer acessório ou a realização de qualquer operação com este aparelho que não se inclua no presente manual de instruções poderá representar um risco de ferimentos pessoais.
- ◆ Conserve este manual para referência futura.

Utilização do aparelho

Tenha sempre cuidado quando utiliza este aparelho.

- ◆ Utilize sempre óculos ou viseiras de protecção.
- ◆ Nunca deixe crianças ou pessoas que não estejam familiarizadas com estas instruções utilizar este aparelho.
- ◆ Não deixe crianças ou animais aproximarem-se da área de trabalho ou tocarem no aparelho ou no cabo de alimentação.
- ◆ É necessária uma supervisão atenta quando o aparelho está a ser utilizado próximo de crianças.

- ◆ Este aparelho não deve ser utilizado por jovens ou pessoas doentes sem supervisão.
- ◆ Este aparelho não deve ser utilizado como um brinquedo.
- ◆ Utilize apenas o aparelho à luz do dia ou com uma boa luz artificial.
- ◆ Apenas utilize num local seco. Não deixe molhar o aparelho.
- ◆ Evite a utilização do aparelho em condições meteorológicas adversas, principalmente quando existe o risco de trovoadas.
- ◆ Não mergulhe o aparelho em água.
- ◆ Não abra a caixa do corpo. Não existem peças para manipulação pelo utilizador no interior.
- ◆ Não utilize o equipamento em áreas com risco de explosão, nas quais se encontrem líquidos, gases ou poeiras inflamáveis.
- ◆ Para reduzir o risco de danos nas fichas e cabos, nunca puxe o cabo para remover a ficha de uma tomada.
- ◆ O aparelho só pode ser utilizado com a fonte de alimentação fornecida com o mesmo.

Segurança dos outros

- ◆ Este aparelho pode ser utilizado por crianças com 8 anos de idade ou mais e por pessoas que apresentem capacidades físicas, sensoriais ou mentais reduzidas ou que não possuam os conhecimentos e a experiência necessários, se forem vigiadas e instruídas acerca da utilização do aparelho de uma forma segura e entenderem os perigos envolvidos. As crianças não deverão mexer no aparelho. A limpeza e manutenção não deverão ser efectuadas por crianças sem supervisão.

- ◆ Esteja atento às crianças para que não brinquem com o aparelho.

Riscos residuais.

Podem surgir riscos residuais adicionais durante a utilização da ferramenta que poderão não constar nos avisos de segurança incluídos. Estes riscos podem resultar de má utilização, uso prolongado, etc. Mesmo com a aplicação dos regulamentos de segurança relevantes e a implementação de dispositivos de segurança, alguns riscos residuais não podem ser evitados.

Incluem:

- ◆ ferimentos causados pelo contacto com peças em rotação/movimento.
- ◆ ferimentos causados durante a troca de peças, lâminas ou acessórios.
- ◆ ferimentos causados pela utilização prolongada de uma ferramenta. Quando utilizar uma ferramenta por períodos prolongados, faça intervalos regulares.
- ◆ diminuição da audição.
- ◆ problemas de saúde causados pela inalação de poeiras resultantes da utilização da ferramenta (exemplo: trabalhos em madeira, especialmente carvalho, faia e MDF.)

Após a utilização

- ◆ Quando não for utilizado, o aparelho deve ser guardado num local seco e com boa ventilação, fora do alcance das crianças.
- ◆ As crianças não devem ter acesso a aparelhos armazenados.
- ◆ Quando o aparelho for guardado ou transportado num veículo, deverá ser colocado na bagageira ou fixo de forma a evitar o movimento devido a alterações súbitas na velocidade ou direcção.

Inspecção e reparações

- ◆ Antes da utilização, verifique o aparelho quanto a peças danificadas ou avariadas. Verifique se existem peças partidas e quaisquer outras situações que possam afectar o bom funcionamento.
- ◆ Não utilize o aparelho se alguma peça estiver danificada ou defeituosa.
- ◆ Mande reparar ou substituir quaisquer peças danificadas ou avariadas por um agente de reparação autorizado.
- ◆ Nunca tente retirar ou substituir quaisquer peças que não as especificadas neste manual.

Instruções de segurança adicionais para cortadores de relva

Atenção! Os elementos de corte continuarão a rodar após o motor ter sido desligado.

- ◆ Familiarize-se com os controlos e a utilização adequada da máquina.
- ◆ Antes de utilizar, verifique se o cabo de alimentação e a extensão estão danificados, velhos ou gastos. Se um cabo se danificar durante a utilização, desligue de imediato o aparelho da fonte de alimentação eléctrica. **NÃO TOQUE NO CABO DE ALIMENTAÇÃO ANTES DE DESLIGAR A FONTE DE ALIMENTAÇÃO ELÉCTRICA.**
- ◆ Remova sempre a bateria do aparelho quando o mesmo não estiver supervisionado, antes de resolver um bloqueio, antes de efectuar a limpeza e manutenção, após bater num objecto estranho ou quando o aparelho começar a vibrar anormalmente.

- ◆ Não utilize o aparelho se os cabos se encontrarem danificados ou apresentarem desgaste.
- ◆ Use botas ou sapatos reforçados para proteger os pés.
- ◆ Use calças compridas para proteger as pernas.
- ◆ Antes de utilizar o aparelho, verifique se o percurso de corte não tem paus, pedras, cabos e outros obstáculos.
- ◆ Apenas utilize o aparelho na vertical com a linha de corte junto ao solo. Nunca ligue o aparelho noutra posição.
- ◆ Desloque-se lentamente quando utilizar o aparelho. Tenha em atenção que a relva acabada de cortar está húmida e é escorregadia.
- ◆ Não trabalhe em declives. Trabalhe ao longo dos declives, e nunca em sentido ascendente ou descendente.
- ◆ Nunca atravesse caminhos de gravilha ou estradas com o aparelho em funcionamento.
- ◆ Nunca toque na linha de corte com o aparelho em funcionamento.
- ◆ Não pouse o aparelho até a linha de corte parar completamente.
- ◆ Apenas utilize o tipo de linha de corte adequado. Nunca utilize linhas de corte metálicas nem linha de pesca.
- ◆ Tenha cuidado para não tocar na lâmina da linha de corte.
- ◆ Tome cuidado para manter o cabo de alimentação afastado da linha de corte. Tenha sempre presente a posição do cabo.
- ◆ Mantenha sempre as mãos e os pés afastados da linha de corte, especialmente ao ligar o motor.
- ◆ Antes de utilizar o aparelho e depois de qualquer impacto, procure sinais de desgaste ou peças danificadas e repare-as conforme necessário.
- ◆ Nunca utilize o aparelho com protecções danificadas ou sem protecções.
- ◆ Tome cuidado contra os ferimentos a partir de qualquer dispositivo instalado para a aparagem do comprimento da linha de fios. Depois de estender uma nova linha de corte, volte sempre a colocar a máquina na posição normal de funcionamento antes de a ligar.
- ◆ Certifique-se sempre de que as ranhuras de ventilação se encontram livres de detritos.
- ◆ Não utilize o cortador de relvados (cortador de extremidades) se os cabos se encontrarem danificados ou apresentarem sinais de desgaste.
- ◆ Mantenha os cabos de extensão afastados dos elementos de corte.

Instruções de segurança adicionais para baterias e carregadores

Baterias

- ◆ Nunca tente abrir as baterias por motivo algum.
- ◆ Não exponha a bateria à água.
- ◆ Não as armazene em locais onde a temperatura possa exceder os 40 °C.
- ◆ Carregue apenas a temperaturas ambiente entre 10 °C e 40 °C.
- ◆ Carregue apenas com o carregador fornecido com a ferramenta.
- ◆ Quando eliminar as baterias, siga as instruções da secção "Protecção do ambiente".

Carregadores

- ◆ Utilize o seu carregador BLACK+DECKER apenas para carregar a bateria da ferramenta com que foi fornecido. Outras baterias poderão rebentar, provocando lesões pessoais e danos.
- ◆ Nunca tente carregar baterias não recarregáveis.
- ◆ Substitua os cabos defeituosos imediatamente.
- ◆ Não exponha o carregador à água.
- ◆ Não abra o carregador.
- ◆ Não manipule o interior do carregador.



O adaptador deverá ser utilizado apenas em espaços interiores.



Antes da utilização, leia o manual de instruções.

Segurança eléctrica



O seu carregador tem isolamento duplo. Por esse motivo, não precisa de ligação à terra. Verifique sempre se a tensão de alimentação corresponde à tensão indicada na placa de especificações. Nunca tente substituir a unidade do carregador por uma tomada normal de alimentação.

- ◆ Se o cabo de alimentação estiver danificado, terá de ser substituído pelo fabricante ou por um Centro de Assistência autorizado BLACK+DECKER, de modo a evitar lesões.

Rótulos do aparelho

O aparelho apresenta os seguintes símbolos de aviso juntamente com o código de data:



Antes de utilizar o aparelho, leia o manual.



Utilize óculos ou viseiras de protecção quando utilizar este aparelho.



Utilize protecções auditivas adequadas ao utilizar o aparelho.



Remova sempre a bateria do aparelho antes de efectuar qualquer limpeza ou manutenção.



Esteja atento à projecção de objectos. Mantenha as pessoas que se encontram nas proximidades afastadas da área de corte.



Não exponha o aparelho à chuva ou humidade elevada.



A potência sonora cumpre a Directiva 2000/14/CE.

Características

Este aparelho inclui algumas ou todas as seguintes características.

1. Interruptor de velocidade variável
2. Punho
3. Botão de desbloqueio
4. Bateria
5. Indicador de carga
6. Punho auxiliar
7. Grampo de bloqueio de ajuste de altura
8. Cabeça do cortador
9. Botão de rotação da cabeça
10. Guia de régua
11. Protecção
12. Compartimento do cilindro
13. Tampão do cilindro

Montagem

Atenção! Antes da montagem, certifique-se de que a ferramenta está desligada e a bateria foi retirada.

Fixação da protecção (Fig. D e E)

- ◆ Remova o parafuso (E1) da protecção.
- ◆ Ao manter a protecção esquadrada com a cabeça do cortador, deslize a mesma completamente para o respectivo sítio até a aba de retenção encaixar. Certifique-se de que os trilhos de guia (D1) na protecção (11) estão correctamente alinhados com os trilhos de guia (D2) na cabeça do cortador (D3) (Figura D). A aba de bloqueio (D4) deve ser encaixada na ranhura da estrutura (D5).
- ◆ Prenda a protecção com o parafuso (E1) (Figura E).

Atenção! Nunca utilize a ferramenta sem que a protecção se encontre montada correctamente.

Fixar o manípulo auxiliar (fig. F e G)

- ◆ Encaixe o manípulo auxiliar (F1) no tubo (F2).
- ◆ Faça o parafuso (G1) atravessar o orifício hexagonal do manípulo até ao lado oposto.
- ◆ Aperte o botão (G2) ao parafuso, rodando-o no sentido dos ponteiros do relógio.

Atenção! Certifique-se de que o reforço central se encontra na ranhura do tubo.

Ajustar a posição do manípulo auxiliar (Fig. G)

O manípulo auxiliar (6) pode ser ajustado para fornecer maior equilíbrio e conforto.

- ◆ Desaperte o botão (G2) do parafuso (G1), rodando-o no sentido contrário ao dos ponteiros do relógio.
- ◆ Faça deslizar suavemente o manípulo auxiliar para cima ou para baixo no tubo (F2) para obter a altura pretendida.
- ◆ Aperte o botão (G2) ao parafuso (G1), rodando-o no sentido dos ponteiros do relógio.

Ajuste da altura da ferramenta (Fig. H)

Ajuste o comprimento do cortador para obter a posição de trabalho adequada, conforme ilustrado na Figura M. Esta ferramenta possui um mecanismo telescópico que permite o ajustamento para uma altura confortável.

Para ajustar a definição de altura, proceda da seguinte forma:

- ◆ Solte o grampo de bloqueio de ajuste de altura (7).
- ◆ Puxe suavemente o tubo (H1) para cima ou para baixo até à altura pretendida.
- ◆ Feche o grampo de bloqueio de ajuste de altura (7).

Soltar a linha de corte

Durante o transporte, a linha de corte encontra-se colada com fita adesiva ao compartimento do cilindro.

Atenção! Antes de montar, remova a bateria da ferramenta.

- ◆ Remova a fita adesiva que prende a linha de corte ao compartimento do cilindro (12).

Instalar e retirar a bateria (Fig. B, C)

- ◆ Para colocar a bateria (4), alinhe-a com o receptáculo na ferramenta. Deslize a bateria para dentro do receptáculo e empurre-a até que se encaixe devidamente.
- ◆ Para remover a bateria, pressione o botão de desbloqueio enquanto retira, ao mesmo tempo, a bateria do receptáculo.

Utilização

Atenção! Deixe a ferramenta funcionar ao seu próprio ritmo. Não sobrecarregue.

Carregar a bateria

A bateria precisa de ser carregada antes da primeira utilização e sempre que não consiga produzir energia suficiente em trabalhos habitualmente feitos sem dificuldade. A bateria pode aquecer durante o carregamento; isto é normal e não indica um problema.

Atenção! Não carregue a bateria a uma temperatura ambiente inferior a 10 °C ou superior a 40 °C. Temperatura de carregamento recomendada: aprox. 24 °C.

Nota: O carregador não irá carregar a bateria se a temperatura das células for inferior a 10 °C ou superior a 40 °C.

A bateria não deve ser retirada do carregador para que este comece a carregar automaticamente quando a temperatura das células aquecer ou arrefecer.

- ◆ Ligue o carregador numa tomada adequada antes de inserir a bateria.
- ◆ Coloque a bateria no carregador.



O LED verde irá piscar para indicar que a bateria está a ser carregada.



A carga completa é indicada pelo LED verde continuamente ligado. A bateria fica totalmente carregada e pode ser utilizada nesta altura ou pode deixá-la no carregador.

Atenção! Recarregue as baterias descarregadas assim que possível após a utilização ou a vida da bateria pode ser enormemente reduzida.

Diagnóstico do carregador

Este carregador foi concebido para detectar determinados problemas que podem resultar na bateria ou na fonte de alimentação. Os problemas são indicados por um LED a piscar em diferentes padrões.

Bateria Danificada

O carregador pode detectar uma bateria danificada ou fraca. O LED vermelho pisca no padrão indicado na etiqueta. Se visualizar este padrão cintilante de bateria danificada, não continue a carregar a bateria. Envie-a para um centro de assistência ou um local de recolha para reciclagem.

Retardação de calor/frio

Quando o carregador detecta que uma bateria está demasiado quente ou fria, inicia automaticamente a retardação de calor/frio, interrompendo o processo de carga até a bateria se normalizar. Após isto ocorrer, o carregador muda automaticamente para o modo de carga. Esta função assegura a duração máxima da etiqueta. O LED vermelho pisca no padrão indicado na etiqueta quando é detectada a retardação de calor/frio.

Deixar a bateria no carregador

O carregador e a bateria podem permanecer ligados com o LED aceso indefinidamente. O carregador irá manter a bateria completamente carregada.

Indicador do estado de carga

A bateria está equipada com um indicador do estado de carga. Este pode ser utilizado para apresentar o nível de carga actual da bateria enquanto estiver no cortador e durante a carga. Não indica o funcionamento do aparelho e está sujeito a variações, com base nos componentes do produto, temperatura e aplicação do utilizador final.

Verificar o estado de carga durante a utilização

- ◆ Prima o indicador do estado de carga (A1).
- ◆ Os quatro LEDs (A2) acender-se-ão ao indicar a percentagem de carga da bateria (Fig. A).
- ◆ Se a luz LED não acender, carregue a bateria.

Ligar e desligar

- ◆ Para ligar o cortador, prima e mantenha premido o botão de desbloqueio (3).
- ◆ Accione o gatilho de velocidade variável (1). A velocidade, potência e tempo de execução do cortador dependem de quanto pressiona o gatilho. Ao accionar ligeiramente o gatilho, a velocidade e a potência serão inferiores, mas o tempo de execução será superior. Ao accionar completamente o gatilho, a velocidade e a potência estarão no máximo, mas o tempo de execução será inferior.
- ◆ Para desligar o gatilho, liberte o gatilho e o botão de desbloqueio.

Atenção! Nunca tente bloquear o botão de ligar/desligar na posição de ligado.

Utilizar o cortador

- ◆ Com a unidade ligada, ajuste o ângulo e faça oscilar o cortador de um lado para o outro como demonstrado na Fig. M.
- ◆ Mantenha um ângulo de corte de 5 a 10 ° como demonstrado na figura M1. Não ultrapasse os 10° (Fig. M2). Corte com a ponta da linha. Use a guia de régua (10) para manter a distância em relação a superfícies duras. Puxe a guia para fora até encaixar com segurança no respectivo sítio.
- ◆ Mantenha uma distância mínima de 60 cm entre a protecção e os seus pés conforme ilustrado na (Fig. M3). Para obter esta distância, ajuste a altura geral do cortador conforme demonstrado na (Fig. H).

Definir o Modo de Poda ou Aparagem (Fig. I, J e K)

- ◆ A ferramenta pode ser utilizada para podar, como mostrado na fig. I, ou para aparar as extremidades dos relvados ou dos canteiros, como mostrado na (Fig. K).

Modo de Poda (Fig. I e J)

Para podar, a cabeça do cortador deve estar na posição indicada na figura I. Se não estiver:

- ◆ Remova a bateria do cortador.
- ◆ Mantenha premido o botão de desbloqueio da cabeça (9).

- ◆ Ao mesmo tempo que segura no manípulo auxiliar (6), rode a cabeça (8) no sentido dos ponteiros do relógio.
- ◆ Solte o botão de desbloqueio da cabeça.
- ◆ Levante a guia de régua (10) para a posição fechada.

Modo de Aparagem (Fig. K)

Atenção! Ao ser utilizado como aparador, a linha pode projectar pedras, pedaços de metal e outros objectos a alta velocidade. O cortador e a protecção foram concebidos para reduzir o perigo, no entanto, certifique-se de que outras pessoas e animais de estimação se encontram a, pelo menos, 30 metros de distância. Para aparar, a cabeça do cortador deve estar na posição indicada na (Fig. K). Se não estiver:

- ◆ Remova a bateria do cortador.
- ◆ Mantenha premido o botão de desbloqueio da cabeça (9) conforme demonstrado na (Fig. K).
- ◆ Ao mesmo tempo que segura no manípulo auxiliar (6), rode a cabeça (8) no sentido contrário ao dos ponteiros do relógio.
- ◆ Solte o botão de desbloqueio da cabeça.
- ◆ Baixe a guia de régua (10) para a posição aberta. Certifique-se de que a guia está completamente para baixo, irá ouvir um clique sonoro.

Nota: A cabeça só irá rodar numa direcção.

Atenção: Não utilize o cortador para criar bordas ou valas.

- ◆ Oriente o cortador conforme apresentado na (Fig. N).
- ◆ Para cortes mais próximos, incline ligeiramente o cortador.

Sugestões para uma utilização ideal

- ◆ Utilize a ponta do fio para realizar o corte; não force a cabeça do fio na relva não cortada.
- ◆ Os obstáculos de madeira e fios resultam num desgaste adicional do fio, mesmo em fratura. As paredes de pedra e tijolo, as bermas e a madeira podem resultar no rápido desgaste do fio. Tome cuidado para reduzir o contacto com superfícies rígidas.
- ◆ Não permita que a tampa do cilindro se arraste pelo solo ou outras superfícies.
- ◆ Em ervas de forte crescimento, corte de cima para baixo e não exceda os 30 cm de altura.
- ◆ Mantenha o cortador inclinado na direcção da área que será cortada; este é o melhor ângulo de corte.
- ◆ O cortador corta ao passar a unidade desde o lado direito para o lado esquerdo. Isto evitará que sejam lançados detritos para o operador.
- ◆ Evite árvores e arbustos. A casca de árvore, os moldes de madeira, os tapumes e postes da cerca podem ser facilmente danificados pelo fio.

Eliminar bloqueios e linha emaranhada Fig. O, P, Q

Atenção! Remova a bateria do cortador antes de efectuar quaisquer ajustes do conjunto ou substituir acessórios. Estas medidas de segurança reduzem o risco de o aparelho ser ligado acidentalmente. Periodicamente, sobretudo quando cortar ervas espessas ou com caule, o cubo de alimentação da linha pode ficar obstruído com seiva ou outros materiais e a linha ficará bloqueada como resultado. Para eliminar o bloqueio, siga os passos abaixo.

- ◆ Pressione as abas de libertação na tampa do cilindro da linha, conforme ilustrado na (Fig. O), e remova a tampa ao puxar a mesma directamente para fora.
- ◆ Retire o cilindro da linha de nylon e elimine qualquer linha quebrada ou detritos da área do cilindro.
- ◆ Coloque o cilindro e a linha na tampa do cilindro com a linha "estacionada" nas ranhuras fornecidas, conforme ilustrado na (Fig. P1).
- ◆ Introduza a extremidade da linha pelo orifício adequado na tampa do cilindro. Puxe a linha frouxa até sair das ranhuras de fixação, conforme ilustrado na (Fig. P2).
- ◆ Pressione ligeiramente o cilindro e rode até sentir que se encaixou no respectivo sítio. Quando estiver no respectivo sítio, o cilindro irá rodar livremente alguns graus para a esquerda e direita.
- ◆ Tome cuidado para que a linha não fique presa sob o cilindro.
- ◆ Alinhe as abas das tampas do cilindro com as ranhuras do compartimento do cilindro (Fig. P).
- ◆ Volte a encaixar a tampa do cilindro ao garantir que as argolas se encaixam no compartimento do cilindro.

Nota: A linha deve sobressair aproximadamente 122 mm do compartimento.

Substituir o Cilindro Fig. O, P, Q e R

- ◆ Remova a bateria do cortador.
- ◆ Mantenha as abas premidas e remova a tampa do cilindro do compartimento na cabeça do cortador (Fig. O).
- ◆ Segure no cilindro vazio com uma mão e na tampa com a outra, e puxe o cilindro para fora.
- ◆ Substitua o cilindro pelo modelo A6482-XJ da BLACK+DECKER.
- ◆ Remova a erva e poeiras do cilindro e da tampa do cilindro.
- ◆ Se a alavanca (R1) na base da tampa do cilindro ficar desalinhado, substitua na posição correcta antes de introduzir um cilindro novo, conforme ilustrado na (Fig. R).
- ◆ Desaperte a extremidade da linha de corte e coloque a linha no ilhó (P2).
- ◆ Pressione ligeiramente o cilindro na tampa do cilindro e rode até sentir que se encaixou no respectivo sítio. Em seguida, empurre para encaixar no respectivo sítio. Quando estiver no respectivo sítio, o cilindro irá rodar livremente alguns graus para a esquerda e direita.
- ◆ Tome cuidado para garantir que a linha não fica presa sob o cilindro.
- ◆ Alinhe as abas da tampa do cilindro com as ranhuras do compartimento do cilindro (fig. Q).
- ◆ Volte a encaixar a tampa do cilindro ao garantir que as argolas se encaixam no compartimento do cilindro.

Nota: A linha deve sobressair aproximadamente 122 mm do compartimento.

Rebobinar o cilindro com linha comprada por atacado (utilize apenas linha com diâmetro CIRCULAR de 2,0 mm) (Fig. S)

A linha vendida por atacado também está disponível no seu revendedor local.

Para instalar a linha comprada por atacado, siga os passos abaixo:

- ◆ Remova a bateria do cortador.

- ◆ Remova o cilindro vazio do cortador, conforme descrito em "Substituir o cilindro".
- ◆ Remova do cilindro a linha de corte que eventualmente sobrar.
- ◆ Dobre a extremidade da linha de corte em cerca de 19 mm (S1). Alimente a linha de corte numa das ranhuras de fixação da linha (S3).
- ◆ Certifique-se de que a linha é puxada com firmeza contra o cilindro e comece a enrolar a linha de corte no cilindro na direcção da seta do cilindro.
- ◆ Certifique-se de que enrola a linha de forma ordenada, por camadas. Não cruze a linha (Fig. T).
- ◆ Quando a linha de corte enrolada chegar ao encaixe (S4), o cilindro está cheio.
- ◆ Coloque a linha na ranhura "estacionada" fornecida (Fig. P1). Corte a linha da bobina em volume.
- ◆ Encaixe o cilindro no cortador conforme descrito em "Substituir o cilindro", figuras O, P, Q e R.

NOTA: Os cilindros com linha comprada por atacado rebobinada à mão têm maior probabilidade de ficarem emaranhados do que os cilindros da BLACK+DECKER. Recomendamos a utilização de cilindros já bobinados para obter melhores resultados. Cilindros de substituição:

#A6486-XJ (3 peças, linha e cilindro SA)

#A6482-XJ (1 peça, linha e cilindro SA)

Sistema de Alimentação Automática (AFS)

O cortador de fio está equipado com cilindro AFS, que irá detectar quando o fio se rompe e voltar a alimentar automaticamente. Não bata ou puxe o fio. Caso o AFS não esteja a alimentar de forma adequada, remova o cilindro e verifique se o fio está enrolado correctamente e volte a introduzir na ferramenta.

Manutenção

O seu aparelho/ferramenta com/sem fios BLACK+DECKER foi concebido para funcionar durante muito tempo, com um mínimo de manutenção. O funcionamento contínuo e satisfatório depende de uma manutenção adequada e limpeza regular da ferramenta/aparelho.

O seu carregador não necessita de manutenção para além da limpeza regular.

Atenção! Antes de proceder a qualquer acção de manutenção em ferramentas eléctricas com/sem fios:

- ◆ Desligue o aparelho/ferramenta e retire a respectiva ficha da tomada.
- ◆ Ou desligue e remova a bateria do aparelho/ferramenta caso o aparelho/ferramenta tenha uma bateria individual.
- ◆ Ou deixe a bateria descarregar completamente se estiver incorporada e, em seguida, desligue-a.
- ◆ Desligue o carregador antes de o limpar. O seu carregador não necessita de manutenção para além da limpeza regular.
- ◆ Limpe regularmente as ranhuras de ventilação da ferramenta/aparelho e do carregador com uma escova suave ou um pano seco.
- ◆ Limpe regularmente a caixa do motor com um pano húmido. Não utilize produtos de limpeza abrasivos ou à base de solvente.

- ◆ Limpe regularmente a linha de corte e o cilindro com uma escova ou um pano seco e suave.
- ◆ Utilize regularmente uma raspadeira para remover relva e sujidade da parte inferior da protecção.

Resolução de problemas

| Problema | Solução |
|---------------------------------------------------------|------------------------------------------------------------------------------------------------------------------------------------------------------------------------------------------------------------------------------------------------------------------------------------------------------------------------------------------------------------------------------------------------------------------------------------------------------------------------------------------------------------------------------------------------------------------------------------------------------------------------------------------------------------------------------------------------------------------------------------------------------------------------------------------------------------------------------------------------------------------------------------------------------------------------------------------------------------------------------------------------------------------------------------------------------------------------------------------------------------------------------------------------------------------------------------------------------------------------------------------------------------------------------------------------------------------------------------------------------------------------------------------------------------------------------------------------------------------------------------------------------------------------------------------------------------------------------------------------------------------------------------------------------------------------------------------------------------------------------------------------------------------------------------------|
| O aparelho está lento. | <p>Accione completamente o gatilho de velocidade variável. O nível de accionamento do gatilho afecta a velocidade.</p> <p>Remova a bateria do cortador.</p> <p>Verifique se o compartimento do cilindro pode rodar livremente. Se necessário, limpe-o cuidadosamente.</p> <p>Verifique se a linha de corte não sobressai mais do que cerca de 122 mm do cilindro. Caso contrário, corte-a para que chegue apenas até à lâmina da linha de corte.</p> |
| A alimentação de linha automática não alimenta a linha. | <p>É alimentada mais linha quando a linha é reduzida para cerca de 76 mm. Para determinar se a linha não está a ser alimentada, permita que a linha se desgaste após este ponto.</p> <p>Mantenha as abas premidas e remova a tampa do cilindro com o cilindro a partir do compartimento na cabeça do cortador.</p> <p>Certifique-se de que a linha não está cruzada no cilindro, conforme detalhado na (Fig. T). Se for o caso, desenrole a linha de corte e enrole-a de forma adequada.</p> <p>Inspeccione os rastos na parte inferior do cilindro quanto a danos. Se estiverem danificados, substitua o cilindro.</p> <p>Puxe a linha de corte até sobressair aproximadamente 122 mm do cilindro. Se a linha de corte restante no cilindro for insuficiente, instale um novo cilindro de linha de corte.</p> <p>Alinhe as abas da tampa do cilindro com os recortes do compartimento.</p> <p>Empurre a tampa do cilindro em direcção ao compartimento até encaixar de forma firme na respectiva posição.</p> <p>Se a linha de corte ultrapassar a lâmina de corte, corte-a para que chegue apenas até à lâmina. Se a alimentação automática de linha continuar a não funcionar ou o cilindro estiver encravado, experimente as seguintes sugestões: Limpe cuidadosamente o cilindro e o compartimento.</p> <p>Certifique-se de que utiliza o tamanho e diâmetro (2,00 mm) de linha correcto - os tamanhos de linha inferiores e superiores irão afectar o funcionamento do sistema de alimentação automática.</p> <p>Remova o cilindro e verifique se a alavanca no compartimento do cilindro se pode mover livremente.</p> <p>Remova o cilindro e desenrole a linha de corte e, em seguida, volte a enrolar a mesma de forma adequada. Substitua o cilindro no compartimento.</p> |

| | |
|---------------------------------------------------------------------------|-------------------------------------------------------------------------------------------------------------------------------------------------------------------------------------------------------------------------------------------------------------------------------------------------------------------------------------------------------------------------------------------------------------------------------------------------------------------------|
| Alimentação excessiva | <p>Certifique-se de que está a cortar com a ponta da linha a 177 mm do cilindro. Utilize a guia de régua, se necessário, para garantir que é mantido o espaço adequado.</p> <p>Certifique-se de que não excede um ângulo de 10° conforme ilustrado na (Fig. M). Evite o contacto da linha com superfícies rígidas, tais como tijolos, cimento, madeira, etc. Isto irá impedir o desgaste excessivo e/ou alimentação excessiva da linha. Corte com a ponta da linha.</p> |
| A linha desembaraça-se quando a tampa ou o cilindro são removidos. | <p>Certifique-se de que coloca as linhas nas ranhuras de fixação (figura P) antes de remover.</p> |

Protecção do ambiente



Separe os resíduos. Este produto não deverá ser eliminado com o lixo doméstico.

Se, em algum momento, for necessário substituir este produto BLACK+DECKER ou se este deixar de ter utilidade, não elimine o produto num caixote do lixo. Este produto pode ser separado para reciclagem.



A recolha separada de produtos e embalagens usados permite que os materiais sejam reciclados e utilizados novamente.
A reutilização de materiais reciclados ajuda a evitar a poluição ambiental e reduz a procura de matérias-primas.

A legislação local poderá prever a recolha separada de produtos domésticos eléctricos, seja em lixeiras municipais ou através do revendedor quando adquire um produto novo.

A BLACK+DECKER dispõe de instalações para recolha e reciclagem de produtos BLACK+DECKER quando estes atingem o fim da vida útil. Para usufruir deste serviço, devolva o produto em qualquer agente de reparação autorizado, que os recolherá em seu nome.

Pode verificar a localização do agente de reparação autorizado mais perto de si, contactando os escritórios locais da BLACK+DECKER através do endereço indicado neste manual. Em alternativa, encontra-se disponível na Internet uma lista de agentes de reparação autorizados BLACK+DECKER, bem como os contactos e detalhes completos do serviço pós-venda, em: www.2helpU.com

Baterias



Quando as baterias chegarem ao fim da sua vida útil, elimine-as de forma segura para o ambiente:

- ◆ Deixe a bateria descarregar completamente e, em seguida, remova-a da ferramenta.
- ◆ As baterias de NiCd, NiMH e de Iões de Lítio são recicláveis. Coloque as pilhas numa embalagem adequada, certificando-se de que os terminais não entram em curto-circuito. Leve as baterias ao seu agente de manutenção autorizado ou a uma estação de reciclagem local.

- ◆ Não coloque os terminais da pilha em curto-circuito.
- ◆ Não elimine a(s) bateria(s) queimando-a(s), pois existe o risco de ferimentos pessoais ou de explosão.

Declaração de conformidade CE

DIRECTIVA SOBRE MAQUINARIA
DIRECTIVA SOBRE RUIDO EXTERIOR



STB3620L Cortador de Fio Sem Fios

A Black & Decker declara que os produtos descritos nos "dados técnicos" estão em conformidade com:
2006/42/CE, EN 60335-1:2012 + A11:2014
EN 50636-2-91:2014

2000/14/CE, Cortador de Relvados, $L \leq 50$ cm, Anexo VIII
Certificação da DEKRA B.V., Utrechtseweg 310,
6802 ED Arnhem, Países Baixos
N.º de ID do Organismo Notificado: 0344

Nível de potência acústica de acordo com a norma 2000/14/
CE (Artigo 12, Anexo III, $L \leq 50$ cm):
 L_{m} (potência acústica calculada) 95 dB(A)
imprecisão (K) = 1.5 dB(A)
 L_{m} (potência acústica garantida) 96 dB(A)

Estes produtos também estão em conformidade com a
Directiva 2014/108/CE (até 19/04/2016), 2014/30/UE (a partir
de 20/04/2016) e 2011/65/UE.

Para mais informações, contacte a Black & Decker no
endereço indicado em seguida ou consulte a parte posterior
do manual.

O signatário é responsável pela compilação do ficheiro
técnico e efectua esta declaração em nome da Black &
Decker.

R. Laverick
Director de Engenharia
Black & Decker Europe, 210 Bath Road, Slough,
Berkshire, SL1 3YD
Reino Unido
06/08/2015

Dados técnicos

| | | |
|----------------------|-------------------|-----------------|
| | | STB3620L H 1 |
| Tensão de entrada | V_{cc} | 36V |
| Velocidade sem carga | min ⁻¹ | 0 - 7200/min |
| Peso | kg | 3,4kg |

| | | |
|------------|-----------------|---------------|
| Bateria | | BL2036 |
| Tensão | V_{cc} | 36V |
| Capacidade | Ah | 2,0Ah |
| Tipo | | lões de lítio |

| | | |
|-------------------|-----------------|-------------------------------|
| Carregador | | LCS36 Tipo 1 |
| Tensão de entrada | V_{cc} | 220 - 240V |
| Tensão de saída | V_{cc} | 36V |
| Corrente | mA A | Entrada: 600mA Saída: 1,3A |

Valor de peso da vibração mão/braço de acordo com a EN
50636-2-91:

= < 2,5 m/s, imprecisão (K) = 1,5 m/s.

L_{m} (pressão sonora) 75 dB(A)
imprecisão (K) = 1.5 dB(A)

Garantia

A Black & Decker confia na qualidade dos seus produtos e oferece uma garantia ímpar. Esta declaração de garantia é um complemento dos seus direitos estabelecidos por lei, não os prejudicando de forma alguma. A garantia é válida nos territórios dos Estados Membros da União Europeia e da Associação Europeia de Comércio Livre.

Se um produto Black & Decker avariar devido a defeitos de material, fabrico ou não conformidade, num período de 24 meses após a data da compra, a Black & Decker garante a substituição das peças defeituosas, a reparação de produtos sujeitos a um desgaste aceitável ou a substituição dos mesmos para garantir o mínimo de inconvenientes ao cliente, excepto se:

- ◆ o produto tiver sido utilizado para fins comerciais, profissionais ou de aluguer;
- ◆ o produto tiver sido submetido a utilização indevida ou negligência;
- ◆ o produto tiver sido danificado por objectos ou substâncias estranhos, bem como acidentes;
- ◆ tiverem sido tentadas reparações por pessoas que não sejam agentes de reparação autorizados ou técnicos de manutenção da Black & Decker.

Para accionar a garantia, terá de apresentar comprovativos de compra ao vendedor ou a um agente de reparação autorizado. Pode verificar a localização do agente de reparação autorizado mais perto de si, contactando os escritórios locais da Black & Decker através do endereço indicado neste manual. Se preferir, poderá consultar na Internet uma lista de agentes de manutenção autorizados Black & Decker, bem como os detalhes completos e contactos do serviço pós-venda, no endereço: www.2helpU.com

Visite o website www.blackanddecker.pt para registar o seu novo produto BLACK+DECKER e para se manter actualizado sobre novos produtos e ofertas especiais. Estão disponíveis informações adicionais sobre a marca BLACK+DECKER e a nossa gama de produtos em www.blackanddecker.co.uk

Användningsområde

Din BLACK+DECKER STB3620L trimmer är avsedd för trimning av gräsmattans kanter och för klippning av gräs på begränsade områden. Apparaten är endast avsedd för konsumentbruk.

Säkerhetsföreskrifter

Varning! Vid användning av nätdrivna redskap ska grundläggande säkerhetsföreskrifter, inklusive följande föreskrifter, alltid följas. Detta för att förhindra brand, stötar, personskador och materialskador.

Varning! Vid användning av maskinen ska säkerhetsföreskrifterna följas. För din egen och närvarande personers säkerhet bör du läsa dessa instruktioner innan du använder maskinen. Spara instruktionerna för senare bruk.

- ♦ Läs hela den här bruksanvisningen noggrant innan du börjar använda redskapet.
- ♦ Avsedd användning beskrivs i denna bruksanvisning. Använd inte apparaten med andra tillbehör än de som rekommenderas i den här bruksanvisningen och inte heller till andra användningsområden eftersom det kan leda till personskador.
- ♦ Spara den här bruksanvisningen för framtida bruk.

Använda apparaten

Var alltid försiktig när du använder apparaten.

- ♦ Använd alltid säkerhetsglasögon eller skyddsglasögon.
- ♦ Låt aldrig barn eller personer som inte har läst instruktionerna använda redskapet.
- ♦ Låt inte barn eller djur komma i närheten av arbetsområdet. Låt dem inte heller röra vid redskapet eller elsladden.

- ♦ Om det finns barn i närheten när du använder redskapet ska du övervaka dem noga.
- ♦ Redskapet är inte avsett att användas av unga eller oerfarna personer utan övervakning.
- ♦ Detta redskap ska inte användas som leksak.
- ♦ Använd endast redskapet i dagsljus eller i tillräcklig artificiell belysning.
- ♦ Använd endast på torra områden. Skydda redskapet från väta.
- ♦ Undvik att använda redskapet vid dåligt väder, i synnerhet när det finns risk för blixtnedslag.
- ♦ Doppa aldrig redskapet i vatten.
- ♦ Öppna inte höljet. Det finns inga delar inuti som kan repareras.
- ♦ För att undvika explosionsrisk bör du inte använda redskapet i omgivningar med brandfarliga vätskor, gaser eller damm.
- ♦ Dra aldrig i sladden när du vill ta ut kontakten ur uttaget. Detta för att minska risken för skador på kontakter och sladdar.
- ♦ Apparaten får bara användas med den strömkälla som levereras med apparaten.

Andras säkerhet

- ♦ Apparaten kan användas av barn från åtta år och personer med nedsatt fysisk eller psykisk förmåga eller bristande erfarenhet eller kunskap, om de får lämplig vägledning och är medvetna om riskerna. Barn ska inte leka med apparaten. Rengöring och användarunderhåll ska inte utföras av barn utan övervakning.
- ♦ Barn måste hållas under uppsikt så att de inte leker med redskapet.

Dolda risker.

Ytterligare risker som inte finns med i de bifogade säkerhetsanvisningarna kan uppstå när verktyget används.

Dessa risker kan uppstå vid felaktig eller långvarig användning, etc.

Även om alla relevanta säkerhetsföreskrifter följs och säkerhetsanordningar används kan vissa dolda risker inte undvikas. Dessa innefattar:

- ♦ Skador som orsakas av att roterande/rörliga delar vidrörs.
- ♦ Skador som uppstår vid byte av delar, blad eller tillbehör.
- ♦ Skador som orsakas av långvarig användning av ett verktyg. Se till att ta regelbundna raster när du använder ett verktyg under en längre period.
- ♦ Skador på hörseln.
- ♦ Hälsorisker orsakade av inandning av damm när redskapet används (exempel: arbete med trä, särskilt ek, bok och MDF).

Efter användning

- ♦ När det inte används bör redskapet förvaras utom räckhåll för barn på en torr plats med god ventilation.
- ♦ Barn ska inte ha tillgång till apparater under förvaring.
- ♦ När redskapet förvaras eller transporteras i en bil ska det placeras i bagageutrymmet eller spännas fast så att det inte rör sig vid plötsliga ändringar av hastighet eller riktning.

Kontroll och reparationer

- ♦ Kontrollera att apparaten är hel och att inte har några skadade delar innan du använder den.

Kontrollera att inga delar är trasiga och att inget annat föreligger som kan påverka redskapets funktion.

- ♦ Använd inte apparaten om någon del är skadad eller defekt.
- ♦ Reparera eller byt ut skadade eller trasiga delar på en auktoriserad verkstad.
- ♦ Försök aldrig avlägsna eller byta ut andra delar än de som anges i den här bruksanvisningen.

Ytterligare säkerhetsanvisningar för grästrimmer

Varning! Skärande delar fortsätter att rotera efter att du har stängt av motorn.

- ♦ Bekanta dig med reglagen och ta reda på hur redskapet ska användas.
- ♦ Före användning ska du kontrollera om strömsladden och förlängningssladden visar tecken på skador, åldrande eller slitage. Om en sladd skadas när du använder redskapet kopplar du omedelbart bort sladden från elnätet. RÖR INTE VID SLADDEN INNAN DU DRAGIT UT DEN UR UTTAGET.
- ♦ Ta alltid ur batteriet från redskapet när apparaten är oövervakad, innan en igensättning rensas, före rengöring och underhåll, vid ett slag mot ett främmande föremål eller om redskapet börjar vibrera onormalt.
- ♦ Använd inte redskapet om sladdarna är skadade eller utslitna.
- ♦ Bär kraftiga skor eller stövlar för att skydda dina fötter.
- ♦ Bär långbyxor för att skydda dina ben.
- ♦ Innan du använder redskapet ska du se till att det område som ska trimmas är fritt från grenar, stenar, ledningar och andra hinder.

- ◆ Använd endast redskapet i upprätt läge med skärlinan nära marken. Slå aldrig på redskapets strömbrytare i något annat läge.
- ◆ Rör dig långsamt när du använder redskapet. Tänk på att nyklippt gräs är fuktigt och halt.
- ◆ Använd inte redskapet på branta sluttningar. Arbeta tvärs över sluttningar, inte upp och ner.
- ◆ Korsa inte grusgångar eller vägar medan redskapet är i drift.
- ◆ Vidrör aldrig skärlinan när redskapet används.
- ◆ Sätt inte ner redskapet förrän skärlinan har slutat rotera helt.
- ◆ Använd endast rätt sorts skärlina. Använd aldrig skärlina i metall eller fiskelina.
- ◆ Var noggrann med att aldrig röra vid skärbladet.
- ◆ Var noga med att hålla sladden borta från skärlinan. Håll hela tiden reda på var sladden befinner sig.
- ◆ Håll alltid händer och fötter borta från skärlinan, särskilt då motorn startas.
- ◆ Innan du använder redskapet, och efter alla sorters stötar, bör du undersöka den efter tecken på slitage eller skada och reparera på lämpligt vis.
- ◆ Använd inte redskapet med skadade skydd eller utan skydden på plats.
- ◆ Var försiktig så att du inte skadas av anordningar för justering av fiberlinans längd. Efter att ha dragit ut ny skärlina ska du alltid placera maskinen i normalt driftsläge innan den startas.
- ◆ Kontrollera alltid att ventilationsöppningarna hålls fria från skräp.
- ◆ Använd inte grästrimmern (kanttrimmern) om sladdarna är skadade eller utslitna.

- ◆ Håll förlängningssladdar borta från skärande delar.

Ytterligare säkerhetsinstruktioner för batterier och laddare

Batterier

- ◆ Försök aldrig att öppna batterierna.
- ◆ Utsätt inte batteriet för vatten.
- ◆ Förvara inte på platser där temperaturen kan bli högre än 40 °C.
- ◆ Ladda endast vid temperaturer mellan 10 °C och 40 °C.
- ◆ Ladda endast med hjälp av laddare som medföljer verket.
- ◆ Följ instruktionerna i avsnittet "Miljö" när du gör dig av med batterier.

Laddare

- ◆ Laddaren från BLACK+DECKER får bara användas för att ladda batteriet i det verktyg som laddaren levererades med. Andra batterier kan spricka och orsaka personskador och andra skador.
- ◆ Försök aldrig att ladda ej uppladdningsbara batterier.
- ◆ Byt defekta sladdar omgående.
- ◆ Utsätt inte laddaren för vatten.
- ◆ Öppna inte laddaren.
- ◆ Gör ingen åverkan på laddaren.



Adaptorn är endast avsedd för användning inomhus.



Läs den här bruksanvisningen före användning.

Elsäkerhet



Eftersom laddaren är dubbelisolerad behövs ingen jordledare. Kontrollera alltid att nätspänningen överensstämmer med värdet på typskylten. Försök aldrig byta ut kontakten till laddaren mot en vanlig kontakt.

- ♦ Om nätsladden är skadad måste den bytas ut av tillverkaren eller en auktoriserad BLACK+DECKER-verkstad för att undvika fara.

Etiketter på apparaten

Följande varningssymboler finns på redskapet, tillsammans med datumkoden:



Läs bruksanvisningen innan du använder redskapet.



Bär alltid skyddsglasögon när du använder redskapet.



Bär lämpliga hörselskydd när du använder redskapet.



Ta alltid ur batteriet från redskapet innan någon typ av rengöring eller underhåll utförs.



Se upp för flygande föremål. Håll andra personer borta från arbetsområdet.



Undvik att förvara eller använda redskapet i regn eller på platser där luftfuktigheten är hög.



Garanterad ljudnivå enligt direktiv 2000/14/EG.

Funktioner

Den här apparaten har några eller samtliga av följande funktioner.

1. Strömbrytare för variabel hastighet
2. Handtag
3. Låsknapp
4. Batteri
5. Laddningsindikator
6. Extrahandtag

7. Låsklämma för höjdjustering
8. Trimmerhuvud
9. Vridknapp
10. Kantguide
11. Skydd
12. Spolhölje
13. Spollock

Montering

Varning! Se till att redskapet är avstängt och att batteriet har tagits ur.

Montera skyddet (Fig. D och E)

- ♦ Ta bort skruven (E1) från skyddet.
- ♦ Håll skyddsplattan rakt i förhållande till trimmerhuvudet och skjut den helt på plats tills spärrarna klickar fast. Se till att guideskenorna (D1) på skyddet (11) är korrekt i linje med guideskenorna (D2) på trimmerhuvudet (D3) (Figur D). Spärren (D4) ska snäppas in i höljets slits (D5).
- ♦ Fäst skyddet med skruven (E1) (Figur E).

Varning! Använd aldrig redskapet om inte skyddet är ordentligt monterat.

Sätta fast extrahandtaget (Fig. F och G)

- ♦ Tryck fast extrahandtaget (F1) på skaftet (F2).
- ♦ Skjut in bulten (G1) i det sexkantiga hålet på handtaget och igenom till andra sidan.
- ♦ Dra åt vredet (G2) på bulten genom att vrida det medurs.

Varning! Se till att den centrala ribban sitter i skaftets spår.

Justera extrahandtagets läge (Fig. G)

Extrahandtaget (6) kan justeras för att ge optimal balans och komfort.

- ♦ Lossa vredet (G2) på bulten (G1) genom att vrida det moturs.
- ♦ Dra försiktigt extrahandtaget uppåt eller nedåt längs skaftet (F2) till önskad höjd för bästa komfort.
- ♦ Dra åt vredet (G2) på bulten (G1) genom att vrida det medurs.

Justera höjden på redskapet (Fig. H)

Justera trimmens längd för ett bekvämt arbetsställning som visas i Figur M.

Redskapet har ett teleskopskaft som gör att du kan justera det till komfortabel arbetshöjd.

Gör så här för att ställa in höjden:

- ♦ Lossa låsklämman för höjdjusteringen (7).
- ♦ Dra försiktigt skaftet (H1) uppåt eller nedåt till önskad höjd.
- ♦ Stäng låsklämman för höjdjusteringen (7).

Lossa skärlinan

Under transport är skärlinan fäst vid spolhuset.

Varning! Ta ur batteriet innan du sätter ihop verktyget.

- ♦ Lossa på tejen över skärlinan på spolhöljet (12).

Montera och ta bort batteriet (Fig. B och C)

- ◆ Sätt i batteriet (4) genom att placera det i linje med kontakten på verktyget. Skjut in batteriet i facket och tryck tills batteriet snäpper på plats.
- ◆ Ta ur batteriet genom att trycka på lösgörningsknappen samtidigt som du drar ut batteriet från dess plats.

Användning

Varning! Låt verktyget arbeta i sin egen takt.

Överbelasta inte verktyget.

Ladda batteriet

Batteriet måste laddas innan det används för första gången samt varje gång det inte ger tillräckligt hög effekt för arbeten som tidigare klarades av. Batteriet kan bli varmt när det laddas. Det är normalt och innebär inte att något är fel.

Varning! Ladda inte batteriet om omgivningstemperaturen är lägre än 10 °C eller högre än 40 °C. Rekommenderad laddningstemperatur: cirka 24 °C.

Obs! Laddaren laddar inte batteriet om celltemperaturen är lägre än ungefär 10 °C eller högre än 40 °C.

Batteriet får då sitta kvar i laddaren, som kommer att börja laddningen automatiskt när celltemperaturen har stigit eller sjunkit.

- ◆ Anslut laddaren till ett lämpligt uttag innan du sätter i batteripaketet.
- ◆ Sätt batteripaketet i laddaren.



Den gröna LED-lampan blinkar när batteriet laddas.



När laddningen är klar lyser den gröna LED-lampan med ett fast sken. Batteripaketet är fulladdat och kan nu användas eller lämnas i laddaren.

Varning! Ladda urladdade batterier så snart som möjligt efter användning, i annat fall kan batteritiden minska kraftigt.

Laddardiagnostik

Denna laddare är konstruerad för att upptäcka vissa problem som kan uppstå hos batteripaketet eller strömkällan. Problemen indikeras med en LED-lampa som blinkar på olika sätt beroende på typen av fel.

Dåligt batteri

Laddaren kan upptäcka ett svagt eller skadat batteri. Den röda LED-lampan blinkar enligt beskrivningen på etiketten. Om LED-lampan blinkar för dåligt batteri ska laddningen av batteriet avbrytas. Lämnas in batteriet till en serviceverkstad eller en samlingsplats för återvinning.

Fördröjning paket varmt/kallt

När laddaren upptäcker ett batteri som är alltför varmt eller kallt, avbryts laddningen automatiskt på grund av varmt/kallt batteri tills batteriets temperatur har normaliserats. Sedan växlar laddaren automatisk över till batteriladdningsläget. Den här funktionen garanterar maximal livslängd för batteriet. Den röda LED-lampan blinkar enligt beskrivningen på etiketten när laddningen avbryts på grund av varmt/kallt batteri.

Lämnas batteriet i laddaren

Batteriet kan sitta kvar i laddaren och laddaren kan vara ansluten till vägguttaget hur länge som helst när indikatorn lyser. Laddaren ser till att batteriet hålls fräscht och fulladdat.

Laddningsstatusindikator

Batteriet är utrustat med en laddningsindikator. Den visar laddningsnivå när batteriet sitter i trimmern och under laddning. Den indikerar inte redskapets funktion och är föremål för variationer beroende på produktens komponenter, temperatur och slutanvändarens användningsområde.

Kontrollera batteriets laddning under användning

- ◆ Tryck på laddningsindikatorknappen (A1).
- ◆ De fyra LED-lamporna (A2) tänds för att indikera procentsatsen för batteriets laddning (Fig. A).
- ◆ Om LED-lampan inte lyser måste batteriet laddas.

Slå på och av

- ◆ Slå på trimmern genom att hålla låsknappen (3) intryckt.
- ◆ Tryck ner strömbrytaren för variabel hastighet (1). Trimmerns hastighet, effekt och drifttid beror på hur långt du trycker in strömbrytaren. Vid lätt nedtryckning av strömbrytaren blir hastigheten och effekten lägre, men drifttiden längre. Vid full nedtryckning av strömbrytaren blir hastigheten och effekten maximal, men drifttiden kortare.
- ◆ Stäng av trimmern genom att släppa upp både strömbrytaren och låsknappen.

Varning! Försök aldrig låsa på/av-knappen i påslaget läge.

Använda trimmern

- ◆ Med enheten påslagen vinklar och svänger du trimmern från sida till sida som visas i (Fig. M).
- ◆ Se till att du har en skärvinkel på 5° till 10° enligt figur M1. Överskrid inte 10° (Fig. M2). Skär med spetsen på linan. Använd kantguiden (10) för att hålla avståndet till hårda ytor. Dra ut guiden tills den klickar på plats ordentligt.

- ◆ Se till att du har ett minsta avstånd på 60 cm mellan skyddet och dina fötter enligt (Fig. M3). Du uppnår detta avstånd genom att justera den totala trimmerhöjden enligt (Fig. H).

Ställa in Trimmings- eller Kantningsläge (Fig. I, J och K)

- ◆ Trimmern kan användas i trimningsläge enligt (Fig. I) eller i kantningsläge när du behöver trimma gräs som hänger över gräsmattans kanter och rabatter enligt (Fig. K).

Trimmingsläge (Fig. I och J)

I trimningsläge bör trimmerhuvudet vara i läget enligt fig. I. Om det inte är det:

- ◆ Ta bort batteriet från trimmern.
- ◆ Tryck och håll ned frigöringsknappen (9).
- ◆ Medan du håller i extrahandtaget (6) roterar du huvudet (8) medurs.
- ◆ Släpp frigöringsknappen.
- ◆ Lyft kantguiden (10) till stängt läge.

Kantningsläge (Fig. K)

Varning! När verktyget används för kantning kan linan kasta ut stenar, metallbitar och andra föremål med hög hastighet. Trimmern och skyddet är konstruerade för att minska alla risker, men se till att andra personer och husdjur befinner sig minst 30 meter bort. För kantning ska trimmerhuvudet vara i det läge som visas i (Fig. K). Om det inte är det:

- ◆ Ta bort batteriet från trimmern.
- ◆ Tryck och håll ned spärren (9) enligt (Fig. K).
- ◆ Medan du håller i extrahandtaget (6) roterar du huvudet (8) moturs.
- ◆ Släpp frigöringsknappen.
- ◆ Släpp ned kantguiden (10) till öppet läge. Se till att guiden är helt nere. Ett klick hörs.

Obs! Huvudet roterar bara i en riktning.

Varning! Använd inte trimmern för att skapa jordkanter eller diken.

- ◆ Kör trimmern som visas i (Fig. N).
- ◆ Om du vill ha kortare gräs lutar du trimmern lite.

Tips för optimal användning

- ◆ Använd linans spets vid klippningen. Forcera inte linhuvudet i oklippt gräs.
- ◆ Inhägnader av metalltråd och trä sliter extra mycket på linan och den kan gå av. Sten- och tegelväggar, kantstenar och träd sliter snabbt på linan. Försök att minska kontakten med hårda ytor så mycket som möjligt.
- ◆ Dra inte spollocket på marken eller andra ytor.
- ◆ Vid långväxt gräs ska inte klipplängden överskrida 30 cm i höjd.
- ◆ Luta trimmern mot området som ska klippas. Detta är den bästa klippvinkeln
- ◆ Trimmern klipper när redskapet förs från höger till vänster. På detta sätt undviks att skräp kastas på operatören.
- ◆ Undvik träd och buskar. Trädbark, trälister, ytterväggar och stängselstolpar kan lätt skadas av linan.

Reda ut trasslig lina Fig. O, P, Q

Varning! Ta ut batteriet ur trimmern innan du gör några justeringar på redskapet eller byter tillbehör. Därmed undviker du risken för oavsiktlig igångsättning av apparaten. Ibland kan linmatarnavet sättas igen med växtsaft eller annat material och träden kan trassla sig, i synnerhet vid klippning av tjockt eller stjäkligt gräs. Följ anvisningarna nedan för att reda ut trasslet.

- ◆ Tryck på frigöringsspärrarna på linspolens lock som visas i (Fig. O) och ta bort locket genom att dra det rakt ut.
- ◆ Dra ut spolen med nylonlina och ta bort eventuella avbrutna lindelar eller skräp från spolen.
- ◆ Placera spolen och linan i spollocket. Linan ska ligga i slitsarna som visas i (Fig. P1).
- ◆ Stick in linänden genom det avsedda hålet i spollocket. Dra den slaka linan genom spollocket så att den sticker ut genom slitsarna som visas i (Fig. P2).
- ◆ Tryck ned spolen försiktigt och vrid den tills du känner att den hamnar på plats. När spolen sitter på plats ska den kunna vridas fritt några grader åt vänster och höger.
- ◆ Var noga med att linan inte fastnar under spolen.
- ◆ Rikta in spollockets spärrar med slitsarna på spolhuset (Fig. P).
- ◆ Snäpp tillbaka spollocket och se till att hakarna fäster i spolhuset.

Obs! Linan ska sticka ut ca 122 mm från huset.

Byte av spole Fig. O, P, Q och R

- ◆ Ta bort batteriet från trimmern.
- ◆ Håll spärrarna intryckta och ta bort spollocket från spolhuset i trimmerhuvudet (Fig. O).
- ◆ Håll i den tomma spolen med en hand och spollocket med den andra handen och dra ut spolen.
- ◆ Byt spole med BLACK+DECKER modell A6482-XJ.
- ◆ Avlägsna smuts och gräs från spolen och spollocket.
- ◆ Om spaken (R1) i botten av spollocket hamnar snett, sätt tillbaka den i korrekt läge innan en ny spole sätts in som visas i (Fig. R).
- ◆ Lossa änden på skärlinan och styr in linan genom öppningen (P2).
- ◆ Tryck ned spolen försiktigt i spollocket och vrid den tills du känner att den hamnar på plats. Tryck sedan så att den snäpper på plats. När spolen sitter på plats ska den kunna vridas fritt några grader åt vänster och höger.
- ◆ Var noga med att linan inte fastnar under spolen.
- ◆ Rikta in spollockets spärrar med slitsarna på spolhuset (Fig. Q).
- ◆ Snäpp tillbaka spollocket och se till att hakarna fäster i spolhuset.

Obs! Linan ska sticka ut ca 122 mm från huset.

Linda upp linan på spolen från bulkrollen (använd endast RUND lina med diameter 2,0 mm) (Fig. S)

Hoprullad lina finns också att köpa från dina lokala återförsäljare.

Följ anvisningarna nedan för att rulla på lina:

- ◆ Ta bort batteriet från trimmern.
- ◆ Ta loss den tomma spolen från trimmern enligt beskrivningen i "Byte av spole".

- ◆ Ta bort eventuell kvarvarande skärlina från spolen.
- ◆ Böj skärlinan ungefär 19 mm långst ut (S1). Dra in skärlinan i en av linans fästslitsar (S3).
- ◆ Se till att linan dras tätt mot spolen och börja linda upp skärlinan på spolen i den riktning som anges på spolen
- ◆ Var noga med att linda på linan slätt och i lager. Linda inte i sicksack (Fig. T).
- ◆ När den upplindade skärlinan når nedsänkningarna (S4) är spolen full.
- ◆ Placera linan i den märkta slitsen (Fig. P1). Skär av linan från bulkrullen.
- ◆ Sätt spolen på trimmern enligt beskrivningen i "Byte av spole", figurerna O, P, Q och R.

OBS! Handlindade spolar från bulkina har lättare för att trassla ihop sig än fabrikslindade spolar från BLACK+DECKER

För bästa resultat rekommenderar vi fabrikslindade spolar.

Ersättningsspolar:

#A6486-XJ (3 st. SA spole och lina)

A6482-XJ (1 st. SA spole och lina)

Automatiskt matningssystem (Auto Feed System, AFS)

Grästrimmern är utrustad med AFS-spole som känner av när linan går av och matar automatiskt ut ny lina. Tryck inte in eller dra i linan. Om AFS inte matar ordentligt, ta bort spolen och kontrollera att linan är korrekt upplindad och sätt tillbaka den i redskapet.

Underhåll

Det här BLACK+DECKER-redskapet (med eller utan sladd) är konstruerat för att fungera under lång tid med minsta möjliga underhåll. Med rätt underhåll och regelbunden rengöring behåller verktyget/apparaten sin funktion. Laddaren behöver inget annat underhåll än regelbunden rengöring.

Varning! Innan något underhåll utförs på elektriska redskap med eller utan sladd:

- ◆ Stäng av redskapet/verktyget och dra ur nätkontakten.
- ◆ Du kan också ta ut batteriet ur redskapet om redskapet har ett separat batteri.
- ◆ Om batteriet är inbyggt låter du det laddas ur helt innan avstängningen.
- ◆ Koppla ur laddaren innan du rengör den. Laddaren behöver inget annat underhåll än regelbunden rengöring.
- ◆ Rengör regelbundet redskapets/verktygets/laddarens luftintag med en mjuk borste eller torr trasa.
- ◆ Rengör regelbundet motorkåpan med en fuktig trasa. Använd aldrig rengöringsmedel med lösnings- eller slipmedel.
- ◆ Rengör regelbundet skärlinan och spolen med en mjuk borste eller torr trasa.
- ◆ Ta med jämna mellanrum bort gräs och smuts från skyddets undersida med en trubbig skrapa.

Felsökning

| Problem | Lösning |
|---------------------------------------------------|--------------------------------------------------------------------------------------------------------------------------------------------------------------------------------------------------------------------------------------------------------------------------------------------------------------------------------------------------------------------------------------------------------------------------------------------------------------------------------------------------------------------------------------------------------------------------------------------------------------------------------------------------------------------------------------------------------------------------------------------------------------------------------------------------------------------------------------------------------------------------------------------------------------------------------------------------------------------------------------------------------------------------------------------------------------------------------------------------------------------------------------------------------------------------------------------------------------------------------------------------------------------------------------------------------------------------------------------------------------------------------------------|
| Trimmern går långsamt. | <p>Tryck ner strömbrytaren för variabel hastighet fullständigt. Hastigheten ändras beroende på hur mycket strömbrytaren trycks ned.</p> <p>Ta bort batteriet från trimmern.</p> <p>Kontrollera att spolhuset kan rotera fritt. Rengör det med försiktighet om nödvändigt.</p> <p>Kontrollera att skärlinan inte sticker ut mer än ca 122 mm från spolen. Om den gör det skär du av den så att den bara når till skärbladet.</p> |
| Den automatiska linmatningen matar ingen lina. | <p>Mer lina matas när linan klipps av till cirka 76 mm. För att kontrollera om linan matas ut, slät ut linan så att den är kortare än denna längd.</p> <p>Håll spärrarna intryckta och ta bort spollocket med spolen från spolhuset i trimmerhuvudet.</p> <p>Se till att linan inte är i sicksack på spolen, som visas i (Fig. T). Om linan är i sicksack ska den rullas om på ett prydligt sätt.</p> <p>Kontrollera spåren på spolens botten för att se om det förekommer skador. Byt ut spolen om den är skadad.</p> <p>Dra ut skärlinan tills den sticker ut cirka 122 mm från spolen. Om spolen inte innehåller tillräckligt lång lina, installera en ny spole skärlina. Placera låsspärrarna på spollocket i linje med hälen i höljiet. Tryck fast spollocket på huset tills det klickar på plats ordentligt. Om skärlinan sticker ut längre än skärbladet klipper du av den så att den bara når till bladet. Om den automatiska linmataren fortfarande inte fungerar eller spolen sitter fast, prova följande: Rengör spolen och huset noggrant. Se till att du använder rätt linstorlek och -diameter (2,00 mm). Mindre eller grövre linstorlekar försämrar funktionen hos det automatiska matningssystemet. Ta bort spolen och kontrollera om spaken i spolhuset kan röra sig fritt. Ta bort spolen och rulla om skärlinan på ett prydligt sätt. Sätt tillbaka spolen i huset.</p> |
| Övermatning | <p>Se till att du klipper med linans ände 177 mm från spolen. Använd kantguiden om det behövs för att se till att tillräckligt utrymme upprätthålls.</p> <p>Se till att du inte överskrider en vinkel på 10° som visas i (Fig. M). Undvik att linan kommer i kontakt med hårda ytor såsom tegel, betong, trä o.s.v. för att förhindra onödigt slitage och/eller övermatning av linan. Skär med spolen på linan.</p> |
| Linan rullas ut när locket eller spolen tas bort. | <p>Se till att lägga linoma i slitsarna (figur P) innan locket eller spolen tas bort.</p> |

Skydda miljön



Separat insamling. Produkten får inte kastas i hushållsoporna.

Tänk på miljön när du slänger denna BLACK+DECKER-produkt. Släng den inte tillsammans med hushållsavfallet. Lämna produkten för separat insamling.



Insamling av uttjänta produkter och förpackningsmaterial gör att material kan återanvändas.

Användning av återvunnet material minskar föroreningar av miljön och behovet av råmaterial.

Lokala föreskrifter kan kräva separat insamling av elprodukter från hushållen, vid kommunala insamlingsplatser eller hos återförsäljaren när du köper en ny produkt.

BLACK+DECKER samlar in och återvinner uttjänta BLACK+DECKER-produkter. Om du vill utnyttja denna tjänst återlämnar du produkten till en auktoriserad verkstad, som samlar in den för vår räkning.

För information om närmaste auktoriserade verkstad, kontakta det lokala BLACK+DECKER-kontoret på den adress som är angiven i bruksanvisningen. En lista över alla auktoriserade BLACK+DECKER-verkstäder samt fullständiga servicevillkor och kontaktuppgifter finns på Internet: www.2helpU.com

Batterier



Kassera batterierna på ett miljövänligt sätt när de är förbrukade:

- ◆ Låt batteriet laddas ur helt och ta sedan ut det ur verktyget.
- ◆ Batterier av typerna nickelkadmium (NiCd), nickelmetallhydrid (NiMH) och litiumjon kan återvinnas. Packa in batterierna så att polerna inte kan kortslutas. Ta med dem till en auktoriserad verkstad eller en återvinningsstation.
- ◆ Undvik att kortsluta batteripolerna.
- ◆ Bränn aldrig batterier eftersom det kan leda till personskador eller orsaka en explosion.

Tekniska data

| | | |
|-------------------|-------------------|--------------------|
| | | STB3620L H 1 |
| Spänning | V _{ac} | 36V |
| Tomgångshastighet | min ⁻¹ | 0 - 7 200 varv/min |
| Vikt | kg | 3,4 kg |

| | | |
|-----------|-----------------|-----------|
| Batteri | | BL2036 |
| Spänning | V _{ac} | 36V |
| Kapacitet | Ah | 2,0 Ah |
| Typ | | Litiumjon |

| | | |
|-------------|-----------------|---------------------------------------|
| Laddare | | LCS36 Typ 1 |
| Spänning | V _{ac} | 220 - 240 V |
| Utspänning | V _{ac} | 36V |
| Strömstyrka | mA A | Inspänning: 600mA Utspänning: 1,3A |

Det vägda geometriska medelvärdet av vibrationsfrekvensen enligt EN 50636-2-91:

$$= < 2,5 \text{ m/sek}, \text{ osäkerhet (K) } = 1,5 \text{ m/sek}$$

$$L_w \text{ (ljudtryck) } 75 \text{ dB(A)}$$

$$\text{osäkerhet (K) } = 1,5 \text{ dB(A)}$$

EG-deklaration om överensstämmelse**MASKINDIREKTIV
BULLERFÖRESKRIFTER, UTMOMHUS****STB3620L** Sladdlös grästrimmerBlack & Decker garanterar att produkterna som beskrivs under
Tekniska data uppfyller:2006/42/EG, EN 60335-1:2012 + A11:2014
EN 50636-2-91:20142000/14/EG, Grästrimmer, L ≤ 50 cm, Annex VIII
DEKRA Certification B.V., Utrechtseweg 310,
6802 ED Arnhem, Nederländerna
Anmält organ, ID-nr: 0344Den akustiska effekten enligt 2000/14/EG (Artikel 12, Annex
III, L ≤ 50 cm): L_{max} (uppmätt ljudnivå) 95 dB(A)

osäkerhet (K) = 1.5 dB(A)

 L_{min} (garanterad ljudnivå) 96 dB(A)De här produkterna överensstämmer även med direktiven
2014/108/EG (till 2016-04-19) 2014/30/EU (från 2016-04-20)
och 2011/65/EU.Mer information får du genom att kontakta Black & Decker på
följande adress eller titta i slutet av bruksanvisningen.Undertecknad är ansvarig för sammanställningen av tekniska
data och gör denna försäkran för Black & Decker.R. Laverick
Engineering Manager
Black & Decker Europe, 210 Bath Road, Slough,
Berkshire, SL1 3YD
Storbritannien
06/08/2015**Garanti**Black & Decker garanterar att produkten är fri från material-
och/eller fabriktionsfel vid leverans till kund. Garantin gäller
utöver konsumentens rättigheter enligt lag och påverkar inte
dessa. Garantin gäller inom medlemsstaterna i Europeiska
Unionen och i det Europeiska Frihandelsområdet.Om en Black & Decker-produkt går sönder på grund
av material- och/eller fabriktionsfel eller brister i
överensstämmelse med specifikationen, inom 24 månader
från köpet, åtar sig Black & Decker att reparera eller byta ut
produkten med minsta besvär för kunden, förutom om:

- ◆ Produkten har använts i kommersiellt eller yrkesmässigt syfte eller i uthyringssyfte.
- ◆ Produkten har utsatts för felaktig användning eller skötsel.
- ◆ Produkten har skadats av främmande föremål, ämnen eller genom olyckshändelse.
- ◆ Reparation har utförts av någon annan än en auktoriserad Black & Decker-verkstad.

Vid garantianspråk ska produkten och inköpskvittot lämnas
till återförsäljaren eller till en auktoriserad verkstad. För
information om närmaste auktoriserade verkstad, kontakta
det lokala Black & Decker-kontoret på den adress som är
angiven i bruksanvisningen. En lista över alla auktoriserade
Black & Decker-verkstäder samt fullständiga servicevillkor och
kontaktuppgifter finns på Internet: www.2helpU.comBesök vår webbplats www.blackanddecker.se för att registrera
din nya BLACK+DECKER-produkt samt för att erhålla
information om nya produkter och specialerbjudanden.
Vidare information om märket BLACK+DECKER och vårt
produktsortiment finns på www.blackanddecker.se

Tiltenkt bruk

BLACK+DECKER STB3620L-trimmeren er konstruert for å trimme og kutte plenkanter og slå gress på trange steder. Verktøyet er beregnet bare som konsumentverktøy.

Sikkerhetsinstruksjoner

Advarsel! Når du bruker apparater som drives med strøm fra nettet, må grunnleggende sikkerhetsforholdsregler (inkludert punktene som er beskrevet nedenfor) alltid følges for å redusere risikoen for brann, elektrisk støt, personskade og skade på materiell.

Advarsel! Når du bruker maskinen, må du følge sikkerhetsreglene. Les disse instruksjonene før du bruker maskinen, for å ivareta sikkerheten for deg selv og personer i nærheten. Ta vare på instruksjonene for senere bruk.

- ♦ Les hele denne håndboken nøye før du bruker apparatet.
- ♦ Bruksområdet er beskrevet i denne bruksanvisning. Hvis du bruker annet tilbehør, kobler til annet utstyr eller bruker dette apparatet til andre oppgaver enn det som er anbefalt i denne håndboken, kan det føre til fare for personskade.
- ♦ Ta vare på denne håndboken for fremtidig bruk.

Bruke apparatet

Vær alltid forsiktig når du bruker apparatet.

- ♦ Bruk alltid vernebriller.
- ♦ La aldri barn eller personer som ikke kjenner instruksjonene, bruke apparatet.
- ♦ Pass på at barn og dyr ikke kommer i nærheten av arbeidsområdet eller kommer i berøring med apparatet eller strømledningen.
- ♦ Pass godt på, og vær forsiktig når apparatet brukes i nærheten av barn.

- ♦ Det er ikke meningen at denne maskinen skal brukes av unge eller svakelige personer uten tilsyn.
- ♦ Dette verktøyet skal ikke brukes som leketøy.
- ♦ Bruk apparatet bare i dagslys eller god kunstig belysning.
- ♦ Brukes bare i tørre omgivelser. Ikke la apparatet bli vått.
- ♦ Unngå å bruke apparatet i dårlige værforhold, spesielt når det er fare for lynnedslag.
- ♦ Ikke senk apparatet ned i vann.
- ♦ Ikke åpne huset på apparatet. Det er ingen deler inni som brukere skal håndtere.
- ♦ Ikke bruk apparatet i omgivelser med eksplosjonsfare, for eksempel på steder der det finnes brennbare væsker, gasser eller støv.
- ♦ Dra aldri i kabelen når du skal ta støpselet ut av stikkkontakten. Dermed reduserer du risikoen for skade på støpsel og kabel.
- ♦ Apparatet må bare brukes med strømforsyningsenheten som fulgte med apparatet.

Andre personers sikkerhet

- ♦ Dette apparatet kan brukes av barn som er 8 år eller eldre samt av personer som har reduserte fysiske, sansemessige eller mentale evner, eller som mangler erfaring og kunnskap, hvis de har tilsyn eller har fått veiledning i bruk av apparatet på en trygg måte og forstår farene som foreligger. Barn skal ikke leke med apparatet. Rengjøring og brukervedlikehold skal ikke utføres av barn uten tilsyn.
- ♦ Hold barn under oppsyn for å passe på at de ikke leker med apparatet.

Andre risikoer.

Når verktøyet brukes, kan det oppstå ytterligere risikoer som kanskje ikke er beskrevet i de medfølgende sikkerhetsadvarslene.

Disse risikoene kan bli forårsaket av feil bruk, langvarig bruk osv.

Selv om de relevante sikkerhetsbestemmelsene blir fulgt, og sikkerhetsutstyr blir brukt, kan visse gjenværende risikoer ikke unngås. Disse omfatter:

- ♦ Personskader som forårsakes av berøring av roterende/bevegelige deler.
- ♦ Personskader som forårsakes av at en del, et blad eller tilbehør endres.
- ♦ Personskader som forårsakes av langvarig bruk av et verktøy. Når du bruker et verktøy i lange perioder, må du sørge for å ta regelmessige pauser.
- ♦ Svekket hørsel.
- ♦ Helsefarer som forårsakes av innånding av støv som dannes når du bruker verktøyet (eksempel: arbeid med tre, spesielt eik, bøk og MDF).

Etter bruk

- ♦ Når produktet ikke er i bruk, skal det oppbevares på et tørt og godt ventilert sted utilgjengelig for barn.
- ♦ Barn skal ikke ha tilgang til apparater som oppbevares.
- ♦ Når apparatet oppbevares eller transporteres i et kjøretøy, bør det plasseres i bagasjerommet eller festes, slik at det ikke beveger seg når kjøretøyet brått endrer hastighet eller retning.

Kontroll og reparasjon

- ♦ Kontroller at apparatet ikke er skadet eller har defekte deler før du bruker det.

Kontroller om noen av delene er skadet, eller om det er andre forhold som kan påvirke bruken.

- ♦ Ikke bruk produktet dersom noen deler er skadet eller defekt.
- ♦ Overlat reparasjon eller utskifting av skadde eller defekte deler til et autorisert serviceverksted.
- ♦ Forsøk aldri å fjerne eller bytte ut andre deler enn delene som er oppgitt i denne håndboken.

Ytterligere sikkerhetsinstruksjoner gresstrimmere

Advarsel! Skjæreelementene vil fortsette å rotere etter at motoren er slått av.

- ♦ Gjør deg kjent med hvordan man betjener og bruker apparatet på riktig måte.
- ♦ Før bruk må du kontrollere at strømledning og skjøteledning ikke viser tegn på skader, aldring eller slitasje. Hvis en ledning blir skadet under bruk, må du øyeblikkelig trekke ut støpselet fra stikkontakten. **IKKE TA PÅ STRØMLEDNINGEN FØR DEN ER KOBLET FRA STIKKONTAKTEN.**
- ♦ Fjern alltid batteriet fra apparatet; når apparatet er uten tilsyn, før fjerning av blokkeringer, før rengjøring og vedlikehold, etter å ha truffet et fremmedlegeme eller når apparatet begynner å vibrere unormalt.
- ♦ Ikke bruk apparatet hvis ledninger er skadet eller slitte.
- ♦ Bruk solide sko eller støvler for å beskytte føttene.
- ♦ Bruk lange bukser for å beskytte bena.
- ♦ Før du bruker verktøyet, må du kontrollere at det ikke er pinner, steiner, tråd eller andre gjenstander i skjærebannen.

- ◆ Bruk apparatet bare i opprett stiling med skjærelinjen nær bakken. Ikke slå verktøyet på i noen annen stiling.
- ◆ Beveg deg sakte når du bruker apparatet. Husk at nyklipt gress er fuktig og glatt.
- ◆ Ikke arbeid i bratte skråninger. Arbeid på langs av skråninger, ikke opp og ned.
- ◆ Kryss aldri stier med grus mens verktøyet går.
- ◆ Berør aldri skjæretråden mens verktøyet er i gang.
- ◆ Ikke sett verktøyet ned før skjæretråden har stanset helt.
- ◆ Bruk bare riktig type skjæretråd. Bruk aldri skjæretråd av metall eller fiskesnøre.
- ◆ Pass på st du ikke berører trådtrimmebladet.
- ◆ Pass på å holde strømledningen unna skjæretråden. Vær alltid oppmerksom på hvor ledningen er.
- ◆ Hold alltid hender og føtter borte fra skjæretråden, særlig når du slår på motoren.
- ◆ Før du bruker verktøyet, og etter et støt, må du undersøke om det er tegn på slitasje eller skade og få verktøyet reparert etter behov.
- ◆ Bruk aldri verktøyet med skadet vern eller uten vern på plass.
- ◆ Vær forsiktig så du unngår personskader på grunn av utstyr som er montert for å trimme lengden på filamenttråden. Når ny skjæretråd er matet ut, må du alltid sette verktøyet tilbake i normal bruksstilling før du slår det på.
- ◆ Pass alltid på at ventilasjonsåpningene er fri for rusk.

- ◆ Ikke bruk plentrimmeren (kanttrimmeren) hvis ledningene er skadet eller slitt.
- ◆ Hold skjøteledninger unna skjæreelementer.

Ytterligere sikkerhetsinstruksjoner for batterier og ladere

Batterier

- ◆ Ikke forsøk å åpne uansett hvilket formål du måtte ha.
- ◆ Ikke utsett batteriet for vann.
- ◆ Oppbevar ikke på steder der temperaturen kan overskride 40 °C.
- ◆ Lad bare ved temperaturer mellom 10 °C og 40 °C.
- ◆ Bruk bare laderen som følger med verktøyet.
- ◆ Følg instruksjonene i avsnittet "Miljøvern" når du skal kaste batterier.

Ladere

- ◆ BLACK+DECKER-laderen skal bare brukes til å lade batteriet i apparatet som laderen kom sammen med. Andre batterier kan sprekke og føre til personskade og materiell skade.
- ◆ Prøv aldri å lade ikke-oppladbare batterier.
- ◆ Skift ut defekte ledninger umiddelbart.
- ◆ Ikke utsett laderen for vann.
- ◆ Ikke åpne laderen.
- ◆ Ikke stikk gjenstander eller fingre ned i laderen.



Adapteren er bare beregnet for bruk innendørs.



Les denne håndboken før bruk.

Elektrisk sikkerhet



Denne laderen er dobbeltisolert. Jording er derfor ikke nødvendig. Kontroller alltid at nettspenningen er i overensstemmelse med spenningen på typeskiltet. Prøv aldri å skifte ut laderen med et vanlig nettstøpsel.

- ◆ Hvis strømledningen blir skadet, må den byttes av produsenten eller et autorisert BLACK+DECKER-servicesenter for å unngå fare.

Produktmerking

Følgende advarselssymboler vises på verktøyet sammen med datokoden:



Les håndboken før bruk.



Bruk vernebriller når du bruker dette apparatet.



Bruk passende hørselvern når du bruker dette apparatet.



Fjern alltid batteriet fra apparatet før rengjøring eller vedlikehold.



Vær oppmerksom på flygende gjenstander. Hold personer i nærheten borte fra klippeområdet.



Ikke utsett apparatet for regn eller høy fuktighet.



Garantert lydeffekt i henhold til direktiv 2000/14/EF.

Funksjoner

Dette apparatet har noen av eller alle funksjonene nedenfor.

1. Variabel hastighetsbryter
2. Håndtak
3. Låsebryter
4. Batteri
5. Ladeindikator

6. Hjelpéhåndtak
7. Høydejusterbar låseklemme
8. Trimmerhode
9. Hoderotasjonsknapp
10. Kantskinne
11. Beskyttelsesskjerm
12. Spolehus
13. Spolehette

Montering

Advarsel! Før monteringen må du passe på at apparatet er slått av, og at batteriet er tatt ut.

Feste beskyttelsesskjermen (fig. D og E)

- ◆ Fjern skruen (E1) fra beskyttelsesskjermen
- ◆ Hold beskyttelsesskjermen vinkelrett mot trimmerhodet og skyv det inn på plass til låseknotten klikker på plass. Påse at styreskinnene (D1) på beskyttelsesskjermen (11) er på linje med styreskinnene (D2) på trimmerhodet (D3) (figur D). Låseknotten (D4) skal klikke på plass i sporet i huset (D5).
- ◆ Sikre beskyttelsesskjermen med skruen (E1) (figur E).

Advarsel! Bruk aldri apparatet uten riktig montert vern.

Feste hjelpéhåndtaket (fig. F og G)

- ◆ Skyv hjelpéhåndtaket (F1) inn på stangen (F2).
- ◆ Skyv bolten (G1) inn i det sekskantede hullet på håndtaket og gjennom til motsatt side.
- ◆ Skru til knotten (G2) på bolten ved å dreie den med klokken.

Advarsel! Påse at den midterste rillen er plassert i sporet i stangen.

Justere stillingen til ekstrahåndtaket (fig. G)

Ekstrahåndtaket (6) kan justeres for å gi best mulig balanse og komfort.

- ◆ Løsne knotten (G2) på bolten (G1) ved å dreie den mot klokken.
- ◆ Skyv ekstrahåndtaket forsiktig opp eller ned langs stangen (F2) til ønsket høyde.
- ◆ Skru til knotten (G2) på bolten (G1) ved å dreie den med klokken.

Justere høyden til verktøyet (fig. H)

Juster lengden på trimmeren for å oppnå riktig arbeidsstilling som vist i Figur M.

Dette apparatet har en teleskopmekanisme, slik at du kan stille inn en komfortabel høyde.

Slik stiller du inn høyden:

- ◆ Løsne låseklemmen for høydejustering (7).
- ◆ Trekk stangen (H1) forsiktig opp eller ned til ønsket høyde.
- ◆ Lukk låseklemmen for høydejustering (7).

Løsne skjæretråden

Under transport er skjæretråden festet til spolehuset med tape.

Advarsel! Fjern batteriet fra verktøyet før montering.

- ◆ Fjern tapen som fester skjæretråden til spolet huset (12)..

Sette inn og ta ut batteriet (fig. B, C)

- ◆ Når du skal sette inn batteriet (4), holder du det overfor kontakten på verktøyet. Skyv batteriet inn i kontakten til det klikker på plass.
- ◆ Når du skal ta ut batteriet, trykker du på utløserknappen og trekker samtidig batteriet ut av kontakten.

Bruk

Advarsel! La verktøyet arbeide i sin egen hastighet. Det må ikke overbelastes.

Lading av batteriet

Batteriet må lades før første gang det brukes, og hver gang det ikke lenger gir nok strøm til oppgaver som tidligere ble utført uten problemer. Batteriet kan bli varmt under ladning. Dette er normalt og innebærer ikke feil.

Advarsel! Ikke lad batteriet hvis temperaturen i omgivelsene er under 10 °C eller over 40 °C. Anbefalt ladetemperatur: ca. 24 °C.

Merk: Laderen vil ikke lade et batteri hvis celletemperaturen er under ca. 10 °C eller over 40 °C.

Du bør la batteriet stå i laderen. Laderen begynner å lade automatisk når celletemperaturen blir høyere eller lavere.

- ◆ Plugg inn laderen i en passende stikkontakt før du setter i batteripakken.
- ◆ Sett batteripakken inn i laderen.



Det grønne LED-lyset vil blinke, noe som viser at batteriet lader.



Fullført lading vises ved at det grønne LED-lyset lyser konstant. Pakken er fullt oppladet og kan nå brukes eller bli værende i laderen

Advarsel! Lad opp utladete batterier så snart som mulig etter bruk. Hvis ikke kan batteriets levetid bli kraftig redusert.

Laderdiagnose

Denne batteriladeren er laget for å registrere bestemte problemer som kan oppstå med batteripakkene eller strømkilden. Problemene indikeres med en LED som blinker i ulike mønstre.

Dårlig batteri



Laderen kan oppdage et svakt eller skadet batteri. Den røde LED-en blinker i et mønster som er angitt på etiketten. Hvis du ser blinkemønsteret for et dårlig batteri må du ikke fortsette ladingen av batteriet. Returner batteriet til et servicesenter eller til et mottaksenter for resirkulering

Ladeforsinkelse for varm/kald batteripakke



Når laderen registrerer et batteri som er ekstremt varmt eller ekstremt kaldt starter den automatisk en forsinkelse for varm/kald batteripakke, og utsetter ladingen til batteriet er normalisert. Når det skjer vil laderen automatisk skifte til lademodus for batteripakke. Denne funksjonen sikrer maksimal levetid for batteriet. Den røde LED-en blinker i et mønster som er angitt på etiketten når varm/kald batteripakke er registrert.

La batteriet være i laderen

Laderen og batteripakken kan forbli tilkoblet med lysende LED i ubegrenset tid. Laderen holder batteripakken klar og fulladet.

Ladeindikator

Batteriet er utstyrt med en ladeindikator. Denne kan brukes til å vise batteriets lade nivå under bruk og under ladning. Den indikerer ikke apparatets funksjonalitet og er underlagt variasjoner basert på produktkomponenter, temperatur og bruksområder.

Sjekk batterikapasitet under bruk

- ◆ Trykk på ladingensindikatorknappen (A1).
- ◆ De fire LED-ene (A2) vil lyse og indikere prosent av lading i batteriet (Fig.A.)
- ◆ Hvis LED-lyset ikke lyser, lad batteriet.

Slå av og på

- ◆ For å slå på trimmeren trykker du inn og holder inne låseknappen (3).
- ◆ Trykk inn den variable hastighetsbryteren (1). Trimmerens hastighet og kjøretid avhenger av hvor langt inn du trykker knappen. Lettere trykk på knappen vil føre til an lavere hastighet og mindre kraft, men lengre kjøretid. Å trukke knappen helt inn vil føre til maksimal hastighet og kraft, men kortere kjøretid.
- ◆ For å slå av trimmeren slipper du både hastighetsbryteren og låseknappen.

Advarsel! Ikke prøv å låse utløseren i på-stilling.

Bruke trimmeren

- ◆ Slå på enheten, finn en god vinkel og sving trimmeren fra side til side som vist i (fig. M).

- ◆ Oppretthold en skjærevinkel på 5° til 10° som vist i figur M1. Vinkelen må ikke overskride 10° (fig. M2). Skjær med tuppen av tråden. Bruk kantskinnen (10) til å holde avstand fra harde overflater. Trekk skinnen ut til den klikker sikkert på plass
- ◆ Oppretthold en minimumsavstand på 60 cm mellom beskyttelsesskjermen og føttenes dine, som vist i (fig. M3). For å oppnå denne avstanden må du justere den generelle høyden på trimmeren, som vist i (fig. H).

Innstilling av trimme- og kantmodus (fig. I, J og K)

- ◆ Verktøyet kan brukes i trimmingsmodus som vist i figur I, eller i kantskjæringsmodus for å trimme gress som henger over kanten av en plen eller et blomsterbed, som vist i (Fig.K).

Trimmemodus (fig. I og J)

Ved trimming skal trimmehodet være i stillingen som er vist i figur I. Hvis ikke, gjør du følgende:

- ◆ Fjern batteriet fra trimmeren.
- ◆ Trykk inn og hold nede, hodeutløserknappen (9).
- ◆ Hold ekstrahåndtaket (6), og drei hodet (8) med klokken.
- ◆ Slipp hodeutløserknappen.
- ◆ Løft kantskinnen (10) til lukket stilling.

Kantmodus (fig. K)

Advarsel! Når apparatet brukes som en kantklipper, kan steiner, metallbiter og andre objekter kastes ut i høy hastighet av tråden. Trimmeren og beskyttelsesskjermen er utformet for å redusere faren, men du må likevel påse at andre personer og kjæledyr er minst 30 meter unna. Ved kantklipping skal trimmehodet være i den stillingen som er vist i (fig. K). Hvis ikke:

- ◆ Fjern batteriet fra trimmeren.
- ◆ Trykk på og hold hodeutløserknappen (9) som vist i (fig. K).
- ◆ Hold ekstrahåndtaket (6), og drei hodet (8) mot klokken.
- ◆ Slipp hodeutløserknappen.
- ◆ Slipp kantskinnen (10) til åpen stilling. Pass på at kantskinnen er helt nede. Du hører et tydelig klikk.

Merk: Hodet kan bare dreies i én retning.

Advarsel! Ikke bruk trimmeren til å lage kanter eller grøfter.

- ◆ Før trimmeren som vist i (fig. N).
- ◆ Hold trimmeren litt på skrå for å skjære tettere.

Råd for optimal bruk

- ◆ Bruk anden av tråden til å gjøre klippingen; ikke press tråtdrommelen inn i høyt gress.
- ◆ Netting- og tregjerder forårsaker ekstra slitasje på tråden, til og med brudd. Stein- og murvegger, kantsteiner og tre vil slite tråden raskt. Prøv å redusere kontakten med harde overflater.
- ◆ Ikke la spolehetten slepe mot bakken eller andre overflater.
- ◆ I høyt gress klipper du ovenfra og ned, og ikke overgå 30 cm i høyde.

- ◆ Hold trimmeren bikket framover mot området som klippes; dette gir den beste klippevinkelen
- ◆ Trimmeren klipper når du fører den fra høyre mot venstre. Dette for å unngå å partikler kastes mot operatøren.
- ◆ Unngå trær og busker. Bark, listverk, ytterkledning og gjerdestolper kan lett skades av tråden.

Fjerning av blokkeringer og floket tråd fig. O, P og Q

Advarsel! Fjern batteriet fra trimmeren før du foretar noen som helst justering eller endring av tilbehør. Disse forebyggende sikkerhetstiltakene reduserer risikoen for utilsikket start av apparatet. Fra tid til annen, spesielt ved klipping av tykt eller stikket ugress kan trådspolen bli blokkert av seveje eller andre materialer og dette vil føre til at tråden sitter fast. Følg trinnene nedenfor for å fjerne blokkering.

- ◆ Trykk på utløsningsknappen på trådspolens hette som vist i (fig. O) og fjern spolehetten ved å dra den rett ut.
- ◆ Trekk nylontrådspolen ut og fjern ødelagt tråd og rusk fra spolen.
- ◆ Sett spolen og tråden inn i spolehetten med tråden «plassert» i spor som vist i (fig. P1).
- ◆ Tre tråden gjennom det angitte hullet i spolehetten. Trekk ut slakk tråd til den trekkes ut av holdesporene som vist i (fig. P2).
- ◆ Trykk spolen forsiktig ned og vri den rundt til du merker at den faller på plass. Når den er på plass kan spolen fritt vris noen grader mot venstre og høyre.
- ◆ Påse at tråden ikke blir klemt fast under spolen
- ◆ Rett inn spolehettens knotter med sporene i spolehuset (fig. P).
- ◆ Trykk spolehetten tilbake på plass og se til at ørene klikker fast på spolehuset.

Merk: Tråden skal stikke ut omtrent 122 mm fra huset.

Utskifting av spolen fig. O, P, Q og R

- ◆ Fjern batteriet fra trimmeren.
- ◆ Trykk ned klaffene, og ta av spolehetten fra spolehuset i trimmerhodet (fig. O).
- ◆ Grip tak i den tomme spolen med den ene hånden og spolehetten med den andre, og dra ut spolen.
- ◆ Erstatt spolen med BLACK+DECKER modell A6482-XJ.
- ◆ Fjern eventuelt smuss og gress fra spolen og spolehetten.
- ◆ Hvis hendel (R1) på bunnen av spolehetten blir løs må den settes tilbake i riktig posisjon før du setter inn en ny spole som vist i (fig. R).
- ◆ Løsne enden av skjæretråden, og før tråden inn i hullet (P2).
- ◆ Trykk spolen forsiktig inn i spolehetten og vri den rundt til du merker at den faller på plass. Trykk deretter til den klikker på plass. Når den er på plass kan spolen fritt vris noen grader mot venstre og høyre.
- ◆ Påse at tråden ikke blir klemt fast under spolen.
- ◆ Rett inn spolehettens knotter med sporene i spolehuset (fig. Q).
- ◆ Trykk spolehetten tilbake på plass og se til at ørene klikker fast på spolehuset.

Merk: Tråden skal stikke ut omtrent 122 mm fra huset.

Rulle inn en løs tråd på spolen (bruk bare en RUND tråd med en diameter på 2,0 mm) (fig. S)

Løs tråd kan også kjøpes fra din lokale forhandler.

Følg fremgangsmåten nedenfor for å installere løs tråd:

- ◆ Fjern batteriet fra trimmeren.
- ◆ Ta ut den tomme spolen fra trimmeren som beskrevet i «Utskifting av spolen».
- ◆ Fjern eventuell gjenværende skjæretråd fra spolen.
- ◆ Bøy enden av skjæretråden omtrent 19 mm fra enden (S1). Før skjæretråden inn i en av festesporene for tråden (S3).
- ◆ Pass på at tråden er dratt stramt mot spolen og begynn å vikle skjæretråden på spolen i den retning som pilen på spolen viser
- ◆ Pass på å snurre på tråden ordentlig og i lag. Ikke la tråden gå i kryss (Fig.T).
- ◆ Når skjæretråden som er snurret på, når fordypningene (S4), er spolen full.
- ◆ Plasser tråden i festesporet som vist (Fig.P1). Klipp av tråden fra snellen.
- ◆ Sett spolen på trimmeren som beskrevet i «Utskifting av spolen» figur O,P,Q og R.

MERK: Spoler som er kveilet opp manuelt fra løs tråd, har en større sannsynlighet for å vikle seg fast, enn spoler som er kveilet opp på BLACK+DECKER-fabrikken.

Lorem ipsum Spoler kveilet opp på fabrikken anbefales for best resultat.

Reservespoler:

#A6486-XJ (3 stk. SA spoler og tråd)

#A6482-XJ (1 stk. SA spole og tråd)

Automatisk matesystem (AMS)

Trådtrimmeren er utstyrt med en AFS-spole som vil registrere når tråden ryker og automatisk føre ut ny. Ikke napp eller dra i tråden. Dersom AMS ikke mater skikkelig fjerner du spolen og kontrollerer om tråden er viklet riktig for så å sette den tilbake på verktøyet.

Vedlikehold

BLACK+DECKER-apparatet/verktøyet med ledning/batteri er laget for å brukes over lang tid med et minimum av vedlikehold. Verktøyet/apparatet er avhengig av riktig stell og regelmessig rengjøring for å fungere som det skal til enhver tid.

Laderen krever ikke annet vedlikehold enn regelmessig rengjøring.

Advarsel! Før du utfører vedlikehold på nettdrevet/batteridrevet elektroverktøy:

- ◆ Slå av apparatet/verktøyet og trekk ut støpselet.
- ◆ Eller slå av apparatet/verktøyet og fjern batteriet fra dette hvis apparatet/verktøyet har separat batteripakke.
- ◆ Eller la batteriet gå helt tomt hvis det er innebygd, og slå deretter av.
- ◆ Trekk ut laderen før du rengjør den. Laderen krever ikke annet vedlikehold enn regelmessig rengjøring.
- ◆ Rengjør ventilasjonsåpningene i verktøy/apparat og lader jevnlig med en myk børste eller tørr klut.
- ◆ Rengjør motorhuset regelmessig med en fuktig klut. Ikke bruk slipende eller løsemiddelbaserte rengjøringsmidler.

- ◆ Rengjør skjæretråden og spolehuset regelmessig med en myk børste eller en tørr klut.
- ◆ Bruk et butt skraperedskap regelmessig for å fjerne gress og jord fra undersiden av vernet.

Feilsøking

| Problem | Løsning |
|---------------------------------------------------|-------------------------------------------------------------------------------------------------------------------------------------------------------------------------------------------------------------------------------------------------------------------------------------------------------------------------------------------------------------------------------------------------------------------------------------------------------------------------------------------------------------------------------------------------------------------------------------------------------------------------------------------------------------------------------------------------------------------------------------------------------------------------------------------------------------------------------------------------------------------------------------------------------------------------------------------------------------------------------------------------------------------------------------------------------------------------------------------------------------------------------------------------------------------------------------------------------------------------------------------------------------------------------------------------------------------------------------------------------------------------------------------------------------------------------------------|
| Verktøyet går langsomt. | <p>Trykk ned den variable hastighetsbryteren helt. Hvor langt knappen er trykket inn bestemmer hastigheten.</p> <p>Fjern batteriet fra trimmeren</p> <p>Kontroller at spolehuset kan dreies fritt. Rengjør det omhyggelig etter behov.</p> <p>Påse at skjæretråden ikke stikker ut mer enn ca 122 mm fra spolen. Hvis den gjør det, kutter du den av slik at den akkurat når trimmebladet for tråden.</p> |
| Automatisk trådmater mater ikke tråd. | <p>Mer tråd mates når tråden slites ned til ca. 76 mm. For å fastslå om tråden ikke mates, la tråden slites forbi dette punktet.</p> <p>Hold klaffene trykket ned og fjern spoleheten med spolen fra spolehuset i trimmerhodet.</p> <p>Påse at tråden ikke er krysset på spolen, som vist i (fig. T). Hvis den er viklet du skjæretråden av og vikler den jevnt tilbake.</p> <p>Kontroller sporene på bunnen av spolen for skader. Hvis de er skadet må spolen skiftes ut.</p> <p>Dra i skjæretråden til den stikker ut omtrent 122 mm fra spolen. Hvis det ikke er nok tråd igjen på spolen, monterer du en ny spole med skjæretråd som forklart ovenfor.</p> <p>Rett inn tappene på spoleheten med hullene i huset.</p> <p>Skyv spoleheten inn på huset til den klikker på plass.</p> <p>Hvis skjæretråden rekker lenger enn trimmebladet, kutter du den av, så den når bladet akkurat. Hvis den automatiske matingen av tråd fremdeles ikke virker, eller hvis spolen sitter fast, kan du prøve følgende forslag:</p> <p>Rengjør spolen og spolehuset godt.</p> <p>Påse at du bruker riktig trådstørrelse og diameter (2,00 mm) – mindre eller større trådstørrelser vil påvirke funksjonaliteten av det automatiske trådmatesystemet.</p> <p>Fjern spolen og se om spaken i spolehuset kan bevege seg fritt.</p> <p>Fjern spolen og vikle av skjæretråden og vikle den deretter jevnt tilbake igjen. Sett spolen tilbake i huset.</p> |
| Overmating | <p>Påse at du klipper med enden av tråden ca 177 mm fra spolen. Bruk kantskinne om nødvendig for å sikre at riktig avstand blir holdt.</p> <p>Påse at du ikke overskrider en 10° vinkel som vist i (fig. M). Unngå at tråden kommer i kontakt med harde overflater som murstein, betong, tre osv. Dette vil forebygge overdreven slitasje og/eller overmating av tråd. Skjær med tuppen av tråden</p> |
| Tråden floker seg når hetten eller spolen fjernes | <p>Påse at tråden plasseres i holdesporene (figur P) før fjerning.</p> |

Miljøvern



Separat avfallshåndtering. Dette produktet må ikke kastes sammen med vanlig husholdningsavfall.

Hvis du synes BLACK+DECKER-produktet bør skiftes ut, eller du ikke har bruk for det lenger, må du ikke kaste det sammen med husholdningsavfall. Sørg for separat avfallshåndtering for dette produktet.



Hvis brukte produkter og emballasje leveres atskilt, kan materialer resirkuleres og brukes på nytt. Gjenbruk av resirkulerte materialer bidrar til redusert miljøforurensning og reduserer behovet for råmaterialer.

Det kan være lokale bestemmelser for separat avfallshåndtering for elektriske produkter fra husstander på kommunale avfallsplasser eller hos forhandleren, når du kjøper et nytt produkt.

BLACK+DECKER har en ordning for innsamling og resirkulering av BLACK+DECKER-produkter som ikke skal brukes lenger. Du kan benytte denne tjenesten ved å levere produktet til et hvilket som helst autorisert serviceverksted.

Du kan finne ut hvor nærmeste autoriserte serviceverksted er, ved å kontakte din lokale BLACK+DECKER-avdeling på adressen som er oppgitt i denne håndboken. En oversikt over autoriserte BLACK+DECKER-serviceverksteder og alle opplysninger om ettersalgsservice og kontakter er også tilgjengelig på Internett: www.2helpU.com

Batterier



Tenk på miljøet når batteriene er tomme og du skal kaste dem.

- ◆ La batteriet gå helt tomt og fjern det så fra verktøyet.
- ◆ NiCd-, NiMH- og litiumionebatterier kan gjenvinnes. Legg batteriet i egnet emballasje for å sikre at terminalene ikke kortslutter. Ta med batteriene til et autorisert serviceverksted eller til en lokal spesialavfallsstasjon.
- ◆ Ikke kortslutt batteriterminalene.
- ◆ Ikke kast batterier på åpen ild. Det kan føre til personskade eller eksplosjon.

Tekniske data

| | | |
|---------------------------|-------------------|-----------------|
| | | STB3620L H 1 |
| Inngangsspenning | V_{ac} | 36 V |
| Hastighet uten belastning | min ⁻¹ | 0 - 7200/min |
| Vekt | kg | 3,4 kg |

| | | |
|-----------|----------|--------|
| Batteri | | BL2036 |
| Spenning | V_{ac} | 36 V |
| Kapasitet | Ah | 2,0 Ah |
| Type | | Li-ion |

| | | |
|------------------|----------|--------------------------------------------------|
| Lader | | LCS36 type 1 |
| Inngangsspenning | V_{ac} | 220-240 V |
| Utgangsspenning | V_{dc} | 36 V |
| Strøm | mA A | Inngangsspenning: 600 mA Utgangseffekt: 1,3 A |

Den veide hånd-/armvibrasjonsverdien ifølge EN 50636-2-91:

$$= < 2,5 \text{ m/s}^2, \text{ usikkerhet (K) = } 1,5 \text{ m/s}^2.$$

$$L_{w} \text{ (lydtrykk) } 75 \text{ dB(A)}$$

$$\text{usikkerhet (K) = } 1.5 \text{ dB(A)}$$

EF-samsvarserklæring

MASKINDIREKTIV DIREKTIV FOR UTENDØRSSTØY



STB3620L Ledningsfri trådtrimmer

Lorem ipsum

Black & Decker erklærer at disse produktene som er beskrevet under «Tekniske data», er i samsvar med: 2006/42/EC, EN 60335-1:2012 + A11:2014 EN 50636-2-91:2014

2000/14/EF, plentrimmer, L ≤ 50 cm, vedlegg VIII
DEKRA Certification B.V., Utrechtseweg 310,
6802 ED Arnhem, Nederland
ID-nummer for varslet organ: 0344

Nivå for akustisk effekt i henhold til 2000/14/EF (artikkel 12, vedlegg III, L ≤ 50 cm):
L_{max} (målt lydstyrke) 95 dB(A)
usikkerhet (K) = 1.5 dB(A)
L_{max} (garantert lydstyrke) 96 dB(A)

Disse produktene er også i samsvar med direktiv 2014/108/EF (til 19.04.2016), 2014/30/EU (fra 20.04.2016) og 2011/65/EU.

Hvis du ønsker mer informasjon, kan du kontakte Black & Decker på adressen nedenfor eller se baksiden av bruksanvisningen.

Undertegnede er ansvarlig for utarbeidelsen av den tekniske dokumentasjonen og gir denne erklæringen på vegne av Black & Decker.

R. Laverick
Engineering Manager
Black & Decker Europe, 210 Bath Road, Slough,
Berkshire, SL1 3YD
Storbritannia
06/08/2015

Garanti

Black & Decker er trygg på kvaliteten av produktene sine og tilbyr en enestående garanti. Denne garantierklæringen kommer i tillegg til dine lovbestemte rettigheter og er ikke i konflikt med disse. Garantien er gyldig i EU- og EFTA-medlemsstatene.

Hvis et Black & Decker-produkt går i stykker på grunn av material- og/eller fabrikkasjonsfeil eller har mangler i forhold til spesifikasjonene innen 24 måneder fra kjøpet, påtar Black & Decker seg å bytte ut defekte deler, reparere produkter som har vært utsatt for alminnelig slitasje, eller bytte ut slike produkter med minst mulig vanskelighet for kunden, med mindre:

- ◆ Produktet har vært brukt i yrkes-/næringsvirksomhet eller til utleie.
- ◆ Produktet har vært utsatt for feilaktig bruk eller dårlig vedlikehold.
- ◆ Produktet har blitt skadet av fremmede gjenstander eller stoffer eller ved et uhell.
- ◆ Andre enn autoriserte serviceverksteder eller Black & Deckers serviceteknikere har forsøk å reparere produktet.

For å ta garantien i bruk må du vise kjøpskvittering til forhandleren eller til et autorisert serviceverksted. Du kan finne ut hvor nærmeste autoriserte serviceverksted er, ved å kontakte din lokale Black & Decker-avdeling på adressen som er oppgitt i denne håndboken. En oversikt over autoriserte Black & Decker-serviceverksteder og alle opplysninger om ettersalgsservice og kontakter er også tilgjengelig på Internett: www.2helpU.com

Besøk vårt webområde www.blackanddecker.no for å registrere ditt nye BLACK+DECKER-produkt og for å holde deg oppdatert om nye produkter og spesialtilbud. Du finner mer informasjon om BLACK+DECKER og produktutvalget vårt på www.blackanddecker.no.

Tilsigtet brug

Din STB3620L trimmer fra BLACK+DECKER er beregnet til klipning af plænekanter og græsslåning på trange steder. Dette apparat er kun beregnet til privat brug.

Sikkerhedsinstruktioner

Advarsel! Ved brug af apparater, der strømforsynes fra forsyningsnettet, er det vigtigt, at grundlæggende sikkerhedsforholdsregler, herunder bl.a. nedenstående, altid følges for at mindske risikoen for brand, elektrisk stød, personskade og materiel skade.

Advarsel! Sikkerhedsreglerne skal følges ved brug af maskinen. Læs denne vejledning, før du bruger maskinen, af hensyn til din egen og omkringståendes sikkerhed. Gem vejledningen til senere brug.

- ♦ Læs hele vejledningen omhyggeligt, før du bruger apparatet.
- ♦ Den tilsigtede anvendelse er beskrevet i denne betjeningsvejledning. Brugen af ekstraudstyr eller tilbehør eller udførelse af andet arbejde med dette apparat end det, der anbefales i denne vejledning, kan udgøre en risiko for personskade.
- ♦ Opbevar denne vejledning til senere brug.

Brug af apparatet

Vær altid opmærksom ved brugen af apparatet.

- ♦ Bær altid sikkerhedsbriller eller beskyttelsesbriller.
- ♦ Lad ikke børn eller personer, der ikke har læst denne vejledning, benytte apparatet.
- ♦ Lad ikke børn eller dyr komme i nærheden af arbejdsområdet eller røre ved apparatet eller strømforsyningsledningen.
- ♦ Vær meget opmærksom, når apparatet benyttes i nærheden af børn.

- ♦ Dette apparat må ikke bruges af børn eller svagelige personer uden opsyn.
- ♦ Apparatet må ikke bruges som legetøj.
- ♦ Brug kun apparatet i dagslys eller ved god kunstig belysning.
- ♦ Apparatet må kun bruges på tørre steder. Lad ikke apparatet blive vådt.
- ♦ Undgå at bruge apparatet under dårlige vejrforhold, især når der er risiko for lynnedslag.
- ♦ Apparatet må ikke nedsænkes i vand.
- ♦ Kabinettet må ikke åbnes. Der er ingen dele inde i kabinettet, som kan serviceres af brugeren.
- ♦ Brug ikke apparatet i eksplosive omgivelser, f.eks. hvor der er brændbare væsker, gasser eller støv.
- ♦ For at reducere risikoen for beskadigelse af stik eller ledninger må du aldrig trække i ledningen for at tage stikket ud af en stikkontakt.
- ♦ Apparatet må kun bruges med den medfølgende strømforsyningsenhed.

Andres sikkerhed

- ♦ Dette apparat kan bruges af børn i en alder fra 8 år og derover og personer med nedsatte fysiske, sensoriske eller mentale evner eller manglende erfaring og viden, hvis det sker under overvågning, eller de vejledes i brugen af apparatet på en sikker måde, og de forstår de farer, som er forbundet dermed. Børn må ikke lege med apparatet. Rengøring og brugervedligeholdelse må ikke foretages af børn uden opsyn.
- ♦ Børn skal holdes under opsyn, så det sikres, at de ikke leger med apparatet.

Yderligere risici.

Der kan opstå yderligere restriktioner under brugen af værktøjet, som ikke kan medtages i vedlagte sikkerhedsadvarsler.

Disse risici kan opstå pga. forkert anvendelse, langvarig brug etc. Selv ved overholdelse af relevante sikkerhedsforskrifter og anvendelse af sikkerhedsudstyr kan visse yderligere risici ikke undgås. Disse omfatter:

- ◆ Tilskadekomst forårsaget af berøring af roterende/bevægelige dele.
- ◆ Tilskadekomst forårsaget af udskiftning af dele, blade eller tilbehør.
- ◆ Tilskadekomst forårsaget af langvarig brug af et værktøj. Husk at holde pause jævnlige ved brug af et værktøj i længere tid.
- ◆ Høreskader.
- ◆ Sundhedsrisici forårsaget af indånding af støv, der genereres ved brug af værktøjet (eksempel: Arbejde med træ, især eg, bøg og MDF).

Efter brug

- ◆ Opbevar apparatet på et tørt, godt ventileret sted uden for børns rækkevidde, når det ikke er i brug.
- ◆ Opbevar apparater utilgængeligt for børn.
- ◆ Når apparatet opbevares eller transporteres i et køretøj, skal det anbringes i bagagerummet eller fastgøres for at forhindre bevægelse som følge af pludselige ændringer i hastighed eller retning.

Eftersyn og reparationer

- ◆ Kontroller apparatet for beskadigede eller defekte dele før brug. Se efter knækkede dele og eventuelle andre forhold, der kan påvirke apparatets funktion.
- ◆ Brug ikke apparatet, hvis nogen del er beskadiget eller defekt.
- ◆ Få beskadigede eller defekte dele repareret eller udskiftet på et autoriseret værksted.

- ◆ Forsøg aldrig at fjerne eller udskifte dele ud over dem, der er beskrevet i denne vejledning.

Yderligere sikkerhedsvejledning for græstrimmere

Advarsel! Skæreelementer fortsætter med at rotere, efter at motoren er stoppet.

- ◆ Sæt dig ind i betjeningsknapperne og korrekt brug af apparatet.
- ◆ Kontroller strømforsyningsledningen og forlængerledningen før tegn på skade, ældning og slid før brug. Hvis strømforsyningsledningen bliver beskadiget under brug, skal du omgående tage den ud af stikkontakten. **RØR IKKE VED LEDNINGEN, FØR DU HAR TAGET DEN UD AF STIKKONTAKTEN.**
- ◆ Fjern altid batteriet fra apparatet, når apparatet er efterladt uden opsyn, inden fjernelse af en blokering, inden rengøring og vedligeholdelse, efter at have ramt et fremmedlegeme, eller hver gang apparatet starter med at vibrere på en unormal måde.
- ◆ Brug ikke apparatet med beskadigede eller slidte ledninger.
- ◆ Bær solide sko eller støvler for at beskytte dine fødder.
- ◆ Bær lange bukser for at beskytte dine ben.
- ◆ Kontroller, at området er ryddet for grene, sten, ståltråd og andre forhindringer, før du bruger apparatet.
- ◆ Brug kun apparatet i lodret stilling med skæretråden i nærheden af jorden. Tænd ikke for apparatet i nogen anden position.
- ◆ Bevæg dig langsomt, når du bruger apparatet. Husk, at nyslået græs er fugtigt og glat.

- ♦ Undgå at arbejde på stejle skråninger. Arbejd på tværs af skrånningen, ikke op og ned.
- ♦ Passer ikke grusstier eller veje, mens apparatet kører.
- ♦ Rør aldrig skæretråden, mens apparatet kører.
- ♦ Læg ikke apparatet ned, før skæretråden står helt stille.
- ♦ Brug altid den rigtige type skæretråd. Brug aldrig metaltråd eller fiskesnøre.
- ♦ Pas på ikke at røre trådkniven.
- ♦ Pas på, at ledningen ikke kommer i nærheden af skæretråden. Vær altid opmærksom på ledningens position.
- ♦ Hold altid hænder og fødder væk fra skæretråden, især når motoren startes.
- ♦ Kontroller apparatet før brug eller efter et evt. slag for tegn på slid eller beskadigelse, og reparer efter behov.
- ♦ Brug aldrig apparatet med beskadigede skærme eller uden skærme.
- ♦ Pas på ikke at komme til skade med enheden, der er monteret til afskæring af trådlængden. Når du har trukket ny skæretråd ud, skal du altid sætte maskinen tilbage i normal arbejdsstilling, før den startes.
- ♦ Hold altid ventilationsåbningerne fri for snavs.
- ♦ Brug ikke plæneklipperen (kantrimmeren) med beskadigede eller slidte ledninger.
- ♦ Hold forlængerledninger væk fra skæreelementer.
- ♦ Batteriet må ikke udsættes for fugt.
- ♦ Må ikke opbevares på steder, hvor temperaturen kan overstige 40 °C.
- ♦ Oplad kun ved omgivelsestemperaturer på mellem 10 °C og 40 °C.
- ♦ Oplad kun ved hjælp af den medfølgende lader.
- ♦ Følg vejledningen i afsnittet "Miljøbeskyttelse" ved bortskaffelse af batterier.

Ladere

- ♦ Brug kun din BLACK+DECKER-lader til at oplade batteriet i det værktøj, som den blev leveret sammen med. Andre batterier kan eksplodere og forårsage personskade og materiel skade.
- ♦ Forsøg aldrig at oplade ikke-genopladelige batterier.
- ♦ Udskift straks defekte ledninger.
- ♦ Laderen må ikke udsættes for fugt.
- ♦ Laderen må ikke åbnes.
- ♦ Undersøg ikke laderen.



Adapteren er kun beregnet til indendørs brug.



Læs brugervejledningen, før værktøjet tages i brug.

Elektricitet og sikkerhed



Laderen er dobbelt isoleret. Derfor er en jordledning ikke nødvendig. Kontroller altid, at netspændingen svarer til spændingen på typeskiltet. Forsøg aldrig at erstatte laderenheden med et almindeligt netstik.

- ♦ Hvis netledningen beskadiges, skal den udskiftes af producenten eller et autoriseret BLACK+DECKER-værksted, så farlige situationer undgås.

Yderligere sikkerhedsvejledninger for batterier og ladere

Batterier

- ♦ Forsøg aldrig at åbne uanset årsag.

Mærkatet på apparatet

Værktøjet er forsynet med følgende advarselssymboler samt datokoden:



Læs vejledningen inden brug.



Bær beskyttelses- eller sikkerhedsbriller, når du bruger dette apparat.



Bær egnet høreværn, når du bruger dette apparat.



Fjern altid batteriet fra apparatet, inden der udføres rengøring eller vedligeholdelse.



Pas på flyvende genstande. Hold omkringstående på afstand af klippeområdet.



Udsæt ikke apparatet for regn eller høj fugtighed.



Direktiv 2000/14/EF garanteret lydeffekt.

Komponenter

Dette apparat leveres med nogle af eller alle de følgende komponenter.

1. Trigger til variabel hastighed
2. Håndtag
3. Låseknop
4. Batteri
5. Ladeindikator
6. Ekstra håndtag
7. Låsebøjle til højdejustering
8. Trimmerhoved
9. Knap til hovedrotation
10. Kantstyr
11. Skærm
12. Spolehus
13. Spoledæksel

Samling

Advarsel! Før montering skal det sikres, at værktøjet er slukket, og at batteriet er fjernet.

Montering af skærm (fig. D og E)

- ◆ Fjern skruen (E1) fra skærmen.
- ◆ Mens skærmen holdes lige med trimmerhovedet, skal det skubbes helt på plads, til låsetappene klikker på plads.

Sørg for, at skinner til styret (D1) på skærmen (11) flugter korrekt med skinnerne til styret (D2) på trimmerhovedet (D3) (figur D). Låsetappen (D4) skal være sat i sprækken (D5) på huset.

- ◆ Fastgør skærmen med skruen (E1) (Figur E).

Advarsel! Brug aldrig værktøjet uden korrekt monteret skærm.

Montering af ekstrahåndtag (fig. F og G)

- ◆ Skub ekstrahåndtaget (F1) op på røret (F2).
- ◆ Skub boltene (G1) ind i det sekskantede hul i håndtaget og ud på den modstående side.
- ◆ Sæt drejeknappen (G2) på boltene, og spænd den ved at dreje den med uret.

Advarsel! Sørg for, at den centrale stiver er sat i spalten i røret.

Justering af ekstrahåndtagets stilling (fig. G)

Ekstrahåndtaget (6) kan justeres, så der opnås optimal balance og komfort.

- ◆ Løsn drejeknappen (G2) på boltene (G1) ved at dreje den mod uret.
- ◆ Lad forsigtigt ekstrahåndtaget glide op eller ned ad røret (F2) til den ønskede komforthøjde.
- ◆ Sæt drejeknappen (G2) på boltene (G1), og spænd den ved at dreje den med uret.

Justering af værktøjets højde (fig. H)

Juster trimmerens længde for at opnå den korrekte arbejdsstilling som vist på figur M.

Dette værktøj har en teleskopmekanisme, så du kan indstille en behagelig højde.

Højden indstilles som følger:

- ◆ Frigør låsebøjlen til højdejustering (7).
- ◆ Skub forsigtigt røret (H1) op eller ned til den ønskede højde.
- ◆ Luk låsebøjlen til højdejustering (7).

Frigørelse af skæretråd

Under forsendelse er skæretråden tapet fast på spolehuset.

Advarsel! Tag batteriet ud af værktøjet, inden det samles.

- ◆ Fjern tapen, der holder skæretråden fast på spolehuset (12).

Isætning og fjernelse af batteriet (fig. B, C)

- ◆ Anbring batteriet (4) ud for værktøjets fatning, når batteriet skal monteres. Lad batteriet glide ind i fatningen, og skub, indtil batteriet går på plads.
- ◆ Tryk på udløserknappen , og træk samtidigt batteriet ud af fatningen for at fjerne batteriet.

Anvendelse

Advarsel! Lad værktøjet arbejde i dets eget tempo. Det må ikke overbelastes.

Opladning af batteriet

Batteriet skal oplades inden ibrugtagningen, og når det ikke leverer strøm nok til opgaver, der tidligere kunne udføres ubesværet. Batteriet kan blive varmt under opladningen. Det er normalt og ikke tegn på problemer.

Advarsel! Batteriet må ikke oplades i omgivelsestemperaturer under 10 °C eller over 40 °C. Anbefalet ladetemperatur: ca. 24 °C.

Bemærk! Opladeren oplader ikke et batteri, hvis dets temperatur er under ca. 10 °C eller over 40 °C.

Batteriet bør blive siddende i laderen, som automatisk begynder opladningen, når batteriet opvarmes/afkøles.

- ◆ Sæt opladeren i en passende stikkontakt, inden batteripakken isættes.
- ◆ Sæt batteripakken i opladeren.



Den grønne LED blinker for at angive, at batteriet oplades.



Når opladningen er færdig, vil det blive angivet af den grønne LED-lampe, som lyser konstant. Pakken er fuldt opladet og kan nu anvendes eller kan efterlades i opladeren.

Advarsel! Genoplad afladene batterier så hurtigt som muligt efter brug, ellers kan batteriets levetid blive væsentligt reduceret.

Fejlfinding ved laderen

Denne oplader er beregnet til at registrere visse problemer, som kan opstå med batteripakkerne eller strømkilden. Problemer angives af én LED, som blinker med forskellige mønstre.

Dårligt batteri



Opladeren kan registrere et svagt eller beskadiget batteri. Den røde LED blinker i et mønster, der er angivet på mærkaten. Hvis du ser dette blinkmønster for dårligt batteri, må du ikke fortsætte med at oplade batteriet. Returner det til et servicecenter eller indsamlingssted for genbrug.

Varm/kold pakkeforsinkelse



Når opladeren registrerer et batteri, der er alt for varmt eller alt for koldt, starter den automatisk en varm/kold pakkeforsinkelse, som suspenderer opladning, til batteriet har normaliseret sig. Når dette sker, skifter opladeren automatisk til Pakkeopladningstilstanden. Denne funktion sikrer maksimal levetid for batteriet. Den røde LED blinker i et mønster, der er angivet på mærkaten, når varm/kold pakkeforsinkelse registreres.

Lad batteriet blive siddende i laderen

Du kan lade batteripakken sidde i laderen med tændt lysdiode, så længe det ønskes. Laderen holder batteripakken klar og fuldt opladet.

Indikator for opladningstilstand

Batteriet er udstyret med en indikator for opladningstilstand. Den kan bruges til at vise batteriets aktuelle lade niveau under brug og under opladning. Den angiver ikke apparatets funktionalitet og kan være udsat for variation baseret på produktets komponenter, temperatur og slutbrugerens anvendelse.

Sådan kontrolleres opladningstilstanden under brug

- ◆ Tryk på indikatoren for opladningstilstand (A1).
- ◆ De fire LED'er (A2) lyser for at angive opladningsprocenten i batteriet (Fig. A).
- ◆ Hvis LED-lampen ikke lyser, skal batteriet oplades.

Tænd og sluk

- ◆ Tryk og hold låseknappen (3) nede for at tænde for trimmeren.
- ◆ Tryk på triggeren til variabel hastighed (1). Trimmerens hastighed, kraft og køretid afhænger af, hvor langt i bund du trykker på aftrækkeren. Ved at trykke let på triggeren opnås lavere hastighed og kraft, men længere køretid. Ved at trykke triggeren helt i bund opnås maksimal hastighed og kraft, men kortere køretid.
- ◆ Slip både trigger og låseknop for at slukke for trimmeren.

Advarsel! Forsøg aldrig at fastlåse udløserarmen i tændt position.

Betjening af trimmeren

- ◆ Når enheden er tændt, sættes den ned i en vinkel og svinges langsomt fra side til side som vist i (fig. M).
- ◆ Hold en skærevinkel på 5° til 10° som vist i fig. M1. Vinklen må ikke overstige 10° (fig. M2). Skær med styrekanten af tråden. Brug kantstyret (10) for at holde afstand til hårde overflader. Træk styret ud, til det klikker forsvarligt på plads
- ◆ Hold en afstand på mindst 60 cm mellem skærmen og dine fødder som vist i (fig. M3). Denne afstand opnås ved at indstille trimmerens samlede højde som vist i (fig. H).

Indstilling til trimning og kantklipping (fig. I, J og K)

- ◆ Trimmeren kan indstilles til trimning som vist i (fig. I) eller kantklipping til fjernelse af udnængende græs langs plænekanter og blomsterbede som vist i (fig. K).

Trimning (fig. I og J)

Til trimning skal skærehovedet stilles som vist i figur I. Hvis det ikke står i den stilling:

- ◆ Fjern batteriet fra trimmeren.
- ◆ Tryk og hold hovedudløserknappen (9) nede.
- ◆ Hold fat i ekstrahåndtaget (6), og drej samtidigt trimmerhovedet (8) med uret.
- ◆ Slip hovedudløserknappen.
- ◆ Løft kantstyret (10) ind i lukket stilling.

Kantklipping (fig. K)

Advarsel! Når trimmeren anvendes til kantklipping, kan det forekomme, at tråden kaster sten, metalstykker og andre genstande ud ved høj hastighed. Trimmeren og skærmen er designet, så de reducerer faren, men sørg for, at andre personer og kæledyr er mindst 30 meter væk. Til kantklipping skal trimmerhovedet stilles som vist i (fig. K). Hvis det ikke står i den stilling:

- ◆ Fjern batteriet fra trimmeren.
- ◆ Tryk på hovedudløserknappen (9), og hold den som vist i (fig. K).
- ◆ Hold fat i ekstrahåndtaget (6), og drej samtidigt trimmerhovedet (8) mod uret.
- ◆ Slip hovedudløserknappen.
- ◆ Lad kantstyret (10) falde ind i åben stilling. Sørg for, at kantstyret er helt nede; der høres et tydeligt klik.

Bemærk! Trimmerhovedet roterer kun i én retning.

Advarsel! Trimmeren må ikke bruges til at lave kanter eller grøfter.

- ◆ Styr trimmeren som vist i (fig. N).
- ◆ Vip trimmeren let for at skære tætte.

Gode råd til optimal brug

- ◆ Brug trådens spids til at skære; tving ikke trådets hovedet ind i uklippet græs.
- ◆ Ståltråd og træstakitter forårsager ekstra trådsnitage, og kan få tråden til at knække. Sten- og murstensvægge, kantsten og træ vil hurtigt slide tråden. Vær omhyggelig med at reducere kontakt med hårde overflader.
- ◆ Lad ikke spoledækslet slæbe på jorden eller andre overflader.
- ◆ I langt græs skal der skæres oppefra og ned, og en højde på 30 cm må ikke overskrides.
- ◆ Hold trimmeren vipet mod det område, der klippes; dette den bedste skærevinkel
- ◆ Trimmeren skærer, når enheden passerer fra højre mod venstre. Dette vil undgå, at snavs smides mode operatøren.
- ◆ Undgå træer og buske. Træbark, træformer, udvendig beklædning og stakitstolper kan nemt blive beskadiget af tråden.

Fjernelse af fastsiddende og sammenfiltret tråd fig. O, P, Q

Advarsel! Fjern batteriet fra trimmeren, inden der udføres samlingsjusteringer, eller der skiftes tilbehør. Sådanne sikkerhedsforanstaltninger reducerer risikoen for utilsigtet start af apparatet. Ind imellem, især når der skæres tykt eller ranglet ukrudt, kan trådtilførselshuset blive tilstoppet med plantesaft eller andet materiale, og som følge deraf vil tråden sætte sig fast. Følg trinene herunder for at fjerne den fastsiddende tråd.

- ◆ Tryk på udløsertappene på trådens spoledæksel som vist i (fig. O), og fjern dækslet ved at trække det af med en lige bevægelse.
- ◆ Træk nylontrådspolen ud, og fjern eventuelt knækket tråd eller snavs fra spoлеområdet.
- ◆ Anbring spolen og tråden i spoledækslet med tråden "parkeret" i de dertil indrettede spalter som vist i (fig. P1).

- ◆ Før tråden gennem det relevante hul i spoledækslet. Træk den løse tråd igennem, til den trækkes igennem holdespalterne som vist i (fig. P2).
- ◆ Tryk forsigtigt spolen ned, og roter den, til du kan mærke, at den falder på plads. Når den er på plads, vil spolen frit dreje et par grader til venstre og højre.
- ◆ Vær omhyggelig med at forhindre tråden i at komme i klemme under spolen
- ◆ Få tappene på spoledækslet til at flugte med sprækkerne på spolet (fig. P).
- ◆ Klik spoledækslet tilbage på plads for at sikre, at flapperne klikker på plads i spolet.

Bemærk! Tråden skal stikke ca. 122 mm ud af huset.

Udskiftning af spolen fig. O, P, Q og R

- ◆ Fjern batteriet fra trimmeren.
- ◆ Tryk tappene ned, og fjern spoledækslet fra spolet (fig. O).
- ◆ Tag fat i den tomme spole med den ene hånd og spolet med den anden hånd, og træk spolen ud.
- ◆ Udskift spolen med BLACK+DECKER model A6482-XJ.
- ◆ Fjern snavs og græs fra spolen og spoledækslet.
- ◆ Hvis håndtag (R1) i bunden af spoledækslet løsner sig, skal det sættes tilbage i den korrekte stilling, inden der isættes en ny spole som vist i (fig. R).
- ◆ Frigor enden af skæretråden, og før tråden gennem øjet (P2).
- ◆ Tryk forsigtigt spolen ind i spoledækslet, og roter den, til du kan mærke den falde på plads. Skub så for at få den til at klikke på plads. Når den er på plads, vil spolen frit dreje et par grader til venstre og højre.
- ◆ Vær omhyggelig med at sikre, at tråden ikke kommer i klemme under spolen.
- ◆ Få spoledækslets tappe til at flugte med sprækkerne på spolet (fig. Q).
- ◆ Klik spoledækslet tilbage på plads for at sikre, at flapperne klikker på plads i spolet.

Bemærk! Tråden skal stikke ca. 122 mm ud af huset.

Opvinding af løs tråd på spolen (brug kun RUND tråd med en diameter på 2,0 mm) (fig. S)

Skæretråd i løst parti kan også købes hos din lokale forhandler.

Følg nedenstående trin for opvinding af løs tråd:

- ◆ Fjern batteriet fra trimmeren.
- ◆ Tag den tomme spole ud af trimmeren som beskrevet i "Udskiftning af spolen".
- ◆ Fjern evt. resterende skæretråd fra spolen.
- ◆ Bøj enden af skæretråden ved ca. 19 mm (S1). Før skæretråden ind i en af trådens forankringsprækker (S3).
- ◆ Sørg for, at tråden er trukket stramt mod spolen, og start med at vinde skæretråden på spolen i den retning, som er angivet med pilen på spolen
- ◆ Vind tråden ensartet på og i lag. Kryds ikke tråden (fig. T).
- ◆ Når den opspolede skæretråd når fordybningerne (S4), er spolen fuld.
- ◆ Anbring tråden i den dertil indrettede sprække "parkeret" (fig. P1). Skær tråden af den store spole.
- ◆ Sæt spolen på trimmeren som beskrevet i "Udskiftning af spolen", figur O, P, Q og R.

Bemærk! Løs tråd, der er viklet manuelt op på spolen, er mere tilbøjelig til at filtrere sammen end det er tilfældet ved færdige BLACK+DECKER-spoler fra fabrikken. Det anbefales at bruge færdige spoler fra fabrikken for at opnå det bedste resultat.

Udskiftningsspoler:

#A6486-XJ (SA-spole og -tråd, 3 dele)

#A6482-XJ (SA-spole og -tråd, 1 del)

Automatisk tilførselssystem (AFS)

Trådtrimmeren er udstyret med AFS-spole, som registrerer, når tråden knækker og automatisk tilfører den igen. Stød og træk ikke i tråden. Hvis AFS ikke tilføres korrekt, skal spolen fjernes, og det skal kontrolleres, at tråden er opvundet korrekt, inden det sættes tilbage i værktøjet.

Vedligeholdelse

Dit BLACK+DECKER-apparat/værktøj med eller uden ledning er beregnet til brug gennem lang tid med et minimum af vedligeholdelse. Forsat tilfredsstillende drift afhænger af korrekt behandling af apparatet samt regelmæssig rengøring. Laderen kræver ingen vedligeholdelse, men skal rengøres jævnligt.

Advarsel! Før udførelse af nogen form for vedligeholdelse på elværktøj med/uden ledning:

- ◆ Sluk og tag apparatets/værktøjets stik ud af stikkontakten.
- ◆ Eller sluk og fjern batteriet fra apparatet/værktøjet, hvis det har en separat batteripakke.
- ◆ Eller aflad batteriet helt, hvis det er indbygget, og sluk derefter.
- ◆ Afbryd opladeren før rengøring. Laderen kræver ingen vedligeholdelse, men skal rengøres jævnligt.
- ◆ Rengør jævnligt værktøjets/apparatets og opladerens ventilationshuller med en blød børste eller en tør klud.
- ◆ Rengør med jævne mellemrum motorhuset med en fugtig klud. Brug ikke skuremidler eller opløsningsmidler.
- ◆ Rengør regelmæssigt skæretråden og spolen med en blød børste eller en tør klud.
- ◆ Brug jævnligt en uskarp skraber til at fjerne græs og snavs fra apparatet.

Fejlfinding

| Problem | Løsning |
|----------------------------------------------------|-----------------------------------------------------------------------------------------------------------------------------------------------------------------------------------------------------------------------------------------------------------------------------------------------------------------------------------------------------------------------------------------------------------------------------------------------------------------------------------------------------------------------------------------------------------------------------------------------------------------------------------------------------------------------------------------------------------------------------------------------------------------------------------------------------------------------------------------------------------------------------------------------------------------------------------------------------------------------------------------------------------------------------------------------------------------------------------------------------------------------------------------------------------------------------------------------------------------------------------------------------------------------------------------------------------------------------------------------------------------------------------------------------------------------------------------------------------------|
| Apparatet kører langsomt. | <p>Tryk triggeren til variabel hastighed helt ned.</p> <p>Hastigheden påvirkes af, hvor meget der trykkes på triggeren.</p> <p>Fjern batteriet fra trimmeren</p> <p>Kontrollér, at spolehuset kan rotere frit. Rengør det forsigtigt om nødvendigt.</p> <p>Kontroller, at skæretråden ikke stikker mere end ca. 122 mm ud af spolen. Hvis den gør, skal den klippes af, så den lige netop når trådkniven.</p> |
| Automatisk trådtilførsel tilfører ikke tråden. | <p>Der tilføres mere tråd, når tråden afkortes til ca. 76 mm. For at fastslå, om tråden ikke tilføres, skal du lade tråden blive kortere.</p> <p>Tryk fortsat på tappene, og fjern spoledækslet med spolen fra spolehuset i trimmerhovedet.</p> <p>Sørg for, at tråden ikke er krydset på spolen som beskrevet i (fig. T). Hvis skæretråden har rullet sig ud, skal den genopvindes ordentligt.</p> <p>Efterse rillerne i bunden af spolen for skade. Udskift spolen, hvis rillerne er beskadigede.</p> <p>Træk i skæretråden, til den stikker ca. 122 mm ud af spolen. Isæt en ny spole med skæretråd, hvis der ikke er tilstrækkelig skæretråd tilbage på spolen. Ret tappene på spoledækslet ind efter udkæringerne i huset.</p> <p>Tryk spoledækslet på huset, til det klikker forsvarligt på plads.</p> <p>Hvis skæretråden hænger længere ud end trådkniven, klippes den af, så den lige netop når kniven. Prøv nedenstående forslag, hvis den automatiske trådtilførsel stadig ikke virker, eller hvis tråden sidder fast:</p> <p>Rengør forsigtigt spoledækslet og -huset. Sørg for, at du bruger en tråd med korrekt størrelse og diameter (2,00 mm) - mindre og større trådstørrelse vil påvirke det automatiske tilførselsystems funktionalitet.</p> <p>Fjern spolen, og kontroller, om håndtaget i spolehuset kan bevæges frit.</p> <p>Fjern spolen, og rul skæretråden ud, inden den atter opvindes ordentligt.</p> <p>Udskift spolen i huset.</p> |
| For stor tilførsel | <p>Sørg for, at du skærer med trådens spids 177 mm fra spolen. Brug kantstyret efter behov for at sikre, at der opretholdes korrekt plads.</p> <p>Sørg for, at du ikke overstiger en vinkel på 10° som vist i (fig. M). Undgå, at tråden kommer i kontakt med hårde overflader, såsom mursten, beton, træ etc. Dette vil forhindre overdreven slitage og/eller for stor tilførsel af tråden. Skær med spidsen af tråden</p> |
| Tråden optrevles, når dækslet eller spolen fjernes | <p>Sørg for, at bringe tråde i holdesprækkerne (figur P), inden dækslet eller spole fjernes.</p> |

Miljøbeskyttelse



Separat bortskaffelse. Dette produkt må ikke bortskaffes sammen med almindeligt husholdningsaffald.

Når dit BLACK+DECKER-produkt en dag er udtjent, eller du ikke længere har brug for det, må du ikke smide det ud sammen med det almindelige affald. Produktet skal bortskaffes separat.



Ved separat bortskaffelse af brugte produkter og emballage bliver der mulighed for at genanvende forskellige materialer. Genanvendelse af materialer medvirker til at forebygge miljøforurening og mindsker behovet for råstoffer.

Lokal lovgivning kan kræve separat indsamling af elektriske husholdningsapparater på kommunale affaldsdepoter eller af den detailhandlende ved køb af et nyt produkt.

BLACK+DECKER sørger for at indsamle og genanvende BLACK+DECKER-produkter, når disse ikke længere kan bruges. Hvis du vil benytte dig af denne service, skal du returnere produktet til et autoriseret værksted, der indsamler produkterne for os.

Kontakt det lokale BLACK+DECKER-kontor på den adresse, der er opgivet i denne vejledning, for at få oplysninger om nærmeste autoriserede værksted. En liste over alle autoriserede BLACK+DECKER-serviceværksteder samt servicevilkår og kontaktpersoner er tilgængelig på internettet på adressen: www.2helpU.com

Batterier



Når batterier er udtjente, skal de bortskaffes under passende hensyntagen til miljøet:

- ◆ Aflad batteriet helt, og tag det derefter ud af værktøjet.
- ◆ NiCd-, NiMH- og Li-Ion-batterier kan genbruges. Anbring batteriet/batterierne i en egnet emballage, så polerne ikke kortsluttes. Aflever dem på et autoriseret værksted eller en lokal genbrugsstation.
- ◆ Kortslut ikke batteriterminalerne.
- ◆ Batteriet/batterierne må ikke kastes på ild, da dette kan medføre personskade eller eksplosion.

Tekniske data

| | | |
|---------------------------|-------------------|-----------------|
| | | STB3620L H 1 |
| Indgangsspænding | V_{ac} | 36 V |
| Hastighed uden belastning | min. ¹ | 0 - 7200/min |
| Vægt | kg | 3,4 kg |

| | | |
|-----------|----------|--------|
| Batteri | | BL2036 |
| Spænding | V_{ac} | 36 V |
| Kapacitet | Ah | 2,0 Ah |
| Type | | Li-Ion |

| | | |
|------------------|----------|----------------------------------|
| Lader | | LCS36 Type 1 |
| Indgangsspænding | V_{ac} | 220-240 V |
| Udgangsspænding | V_{ac} | 36 V |
| Strømstyrke | mA A | Indgang: 600 mA Udgang: 1,3 A |

Den vægtede vibrationsværdi i henhold til EN 50636-2-91:

$$= < 2,5 \text{ m/s}^2, \text{ usikkerhed (K) = } 1,5 \text{ m/s}^2.$$

$$L_w \text{ (lydtryk) } 75 \text{ dB(A)}$$

$$\text{usikkerhed (K) = } 1,5 \text{ dB(A)}$$

EU-overensstemmelseserklæring**MASKINDIREKTIV
DIREKTIV OM STØJEMMISSION FRA MASKINER TIL
UDENDØRS BRUG****STB3620L** Trådtrimmer uden ledning

Black & Decker erklærer, at produkterne beskrevet under "Tekniske data" er i overensstemmelse med:
2006/42/EF, EN 60335-1:2012 + A11:2014
EN 50636-2-91:2014

2000/14/EF, plænetrimmer, L ≤ 50 cm, Annex VIII
DEKRA Certification B.V., Utrechtseweg 310,
6802 ED Arnhem, Holland
Notified Body ID No.: 0344

Lydintensitetsniveau i henhold til 2000/14/EF (artikel 12, bilag III, L ≤ 50 cm):
L_{wa} (målt lydeffekt) 95 dB(A)
usikkerhed (K) = 1.5 dB(A)
L_{pa} (garanteret lydeffekt) 96 dB(A)

Disse produkter er endvidere i overensstemmelse med direktiv 2014/108/EF (indtil 19/04/2016) 2014/30/EU (fra 20/04/2016) og 2011/65/EU.

Kontakt Black & Decker på nedenstående adresse eller se vejledningens bagside for at få flere oplysninger.

Undertegnede er ansvarlig for udarbejdelsen af de tekniske data og fremsætter denne erklæring på vegne af Black & Decker.

R. Laverick
Engineering Manager
Black & Decker Europe, 210 Bath Road, Slough,
Berkshire, SL1 3YD
Storbritannien
06/08/2015

Garanti

Black & Decker garanterer, at produktet er fri for skader og fejl, og tilbyder en fremragende garanti. Garantien er et tillæg til forbrugers lovsikrede rettigheder og påvirker ikke disse. Garantien gælder inden for medlemsstaterne af den Europæiske Union og i det Europæiske Frihandelsområde.

Hvis et Black & Decker-produkt går i stykker på grund af materiel skade og/eller fabriktionsfejl eller på anden måde ikke fungerer i overensstemmelse med specifikationen inden for 24 måneder fra købsdatoen, påtager Black & Decker sig at reparere eller ombytte produktet med mindst mulig ulempe for kunden. Garantien gælder ikke for fejl og mangler, der er sket i forbindelse med:

- ◆ Produktet har været anvendt erhvervsmæssigt eller til udlejning.
- ◆ Produktet har været anvendt forkert eller er ikke vedligeholdt.
- ◆ Produktet er beskadiget af fremmedlegemer, substanser eller pga. uheld.
- ◆ Garantien gælder ikke, hvis reparationer er udført af andre end et autoriseret Black & Decker-værksted.

For at udnytte garantien skal produktet og købskvitteringen indleveres til forhandleren eller til et autoriseret værksted. Kontakt det lokale Black & Decker-kontor på den adresse, der er opgivet i denne vejledning, for at få oplysninger om nærmeste autoriserede værksted. En liste over alle autoriserede Black & Decker-serviceværksteder samt servicevilkår og kontaktpersoner er tilgængelig på internettet på adressen: www.2helpU.com

Gå venligst ind på vores website www.blackanddecker.dk for at registrere dit nye BLACK+DECKER-produkt og for at blive holdt ajour om nye produkter og specialtilbud. Der findes yderligere oplysninger om mærket BLACK+DECKER og vores produktsortiment på www.blackanddecker.co.uk

Käyttötarkoitus

BLACK+DECKER-trimmeri STB3620L on suunniteltu nurmikon reunojen viimeistelyyn ja nurmikon leikkaukseen ahtaissa paikoissa. Laite on tarkoitettu vain yksityiskäyttöön.

Turvallisuusohjeet

Varoitus! Sähkölaitteita käytettäessä on aina noudatettava asianmukaisia turvaohjeita, jotta tulipalojen, sähköiskujen, henkilövahinkojen ja materiaalivaurioiden riski olisi mahdollisimman pieni.

Varoitus! Laitetta käytettäessä on noudatettava turvallisuussääntöjä. Lue tämä opas huolellisesti läpi ennen koneen käyttöä oman ja muiden turvallisuuden takia. Säilytä ohjeet myöhempää tarvetta varten.

- ◆ Lue nämä ohjeet huolellisesti ennen laitteen käyttöä.
- ◆ Tarkoitettu käyttö on kuvattu tässä käyttöohjeessa. Muiden kuin tässä käyttöohjeessa suositeltujen lisävarusteiden tai -osien käyttö sekä laitteen käyttö muuhun kuin käyttöohjeessa suositeltuun tarkoitukseen voi aiheuttaa henkilövahingon vaaran.
- ◆ Säilytä tämä käyttöohje tulevaa tarvetta varten.

Laitteen käyttö

Ole aina huolellinen käyttäessäsi laitetta.

- ◆ Käytä aina suojalaseja.
- ◆ Älä koskaan anna lasten tai kenenkään, joka ei ole lukenut käyttöohjetta, käyttää laitetta.
- ◆ Älä anna lasten tai eläinten tulla lähelle työskentelyaluetta tai koskea laitteeseen tai sähköjohtoon.
- ◆ Jos laitetta käytetään lasten läheisyydessä, on oltava tarkkaavainen.
- ◆ Tätä laitetta ei ole tarkoitettu nuorten tai lihasvoimaltaan heikkojen henkilöiden käyttöön ilman valvontaa.

- ◆ Laitetta ei tule käyttää leluna.
- ◆ Käytä laitetta vain päivänvalossa tai hyvin valaistulla alueella.
- ◆ Käytä vain kuivassa paikassa. Älä anna laitteen kastua.
- ◆ Vältä tämän laitteen käyttämistä huonolla säällä ja varsinkin ukonilman aikana.
- ◆ Älä upota laitetta veteen.
- ◆ Älä avaa laitteen koteloä. Sen sisällä ei ole käyttäjän huollettavissa olevia osia.
- ◆ Älä käytä laitetta räjähdysalttiissa ympäristössä, jossa on syttyvää nestettä, kaasua tai pölyä.
- ◆ Älä koskaan irrota johtoa pistorasiasta johdosta vetäen. Pistoake ja johto voivat vahingoittua.
- ◆ Laitteen kanssa tulee käyttää ainoastaan sen mukana toimitettua virtalähdettä.

Muiden turvallisuus

- ◆ Tämä laite soveltuu yli 8-vuotiaiden lasten ja sellaisten henkilöiden käyttöön, joilla on fyysisiä tai älyllisiä rajoitteita tai aistirajoitteita, kuten myös laitteen toimintaan perehtymättömien henkilöiden käyttöön, jos heitä valvotaan tai jos he ovat saaneet laitteen turvalliseen käyttöön liittyvää opastusta ja ymmärtävät laitteen käyttöön liittyvät vaarat. Älä anna lasten leikkiä laitteella. Puhdistus- ja huoltotöitä ei saa jättää lapsille ilman valvontaa.
- ◆ Lapsia on valvottava ja estettävä leikkimästä laitteella.

Muut riskit

Myös muut kuin turvavaroituksissa mainitut riskit ovat mahdollisia työkalua käytettäessä.

Nämä riskit voivat liittyä muun muassa virheelliseen tai pitkäaikaiseen käyttöön. Tiettyjä riskejä ei voi välttää, vaikka noudetaan kaikkia turvamääräyksiä ja käytetään turvalaitteita. Näihin kuuluvat muun muassa

- ♦ pyörivien tai liikkuvien osien koskettamisen aiheuttamat vahingot
- ♦ osia, teriä tai lisävarusteita vaihdettaessa aiheutuneet vahingot
- ♦ työkalun pitkäaikaisen käytön aiheuttamat vahingot (kun käytät työkalua pitkään, varmista, että pidät säännöllisesti taukoja)
- ♦ kuulovauriot
- ♦ työkalua käytettäessä (esimerkiksi puuta, erityisesti tammea, pyökkiä ja MDF-levyjä käsiteltäessä) syntyneen pölyn sisäänhengityksen aiheuttamat terveysriskit.

Käytön jälkeen

- ♦ Kun laitetta ei käytetä, säilytä sitä kuivassa, hyvin tuuletetussa paikassa poissa lasten ulottuvilta.
- ♦ Pidä laite lasten ulottumattomissa.
- ♦ Kun laitetta säilytetään tai kuljetetaan ajoneuvossa, sijoita se tavaratilaan tai kiinnitä se kunnolla, ettei se matkan aikana pääse liikkumaan.

Tarkastus ja korjaus

- ♦ Tarkista ennen laitteen käyttöä, ettei laitteessa ole vahingoittuneita tai viallisia osia. Tarkista osien ja kytkimien kunto sekä muut seikat, jotka voivat vaikuttaa laitteen toimintaan.
- ♦ Älä käytä laitetta, jos joku sen osa on vaurioitunut tai viallinen.
- ♦ Korjauta tai vaihdata vaurioituneet tai vialliset osat valtuutetussa huoltoliikkeessä.

- ♦ Älä yritä korjata tai vaihtaa muita kuin tässä käyttöohjeessa erikseen määriteltyjä osia.

Ruohotrimmereiden lisäturvaohjeet

Varoitus! Leikkaavien osien pyöriminen jatkuu senkin jälkeen, kun moottori on sammutettu.

- ♦ Tutustu hallintalaitteisiin ja opettele laitteen oikea käyttö.
- ♦ Tarkista ennen käyttöä, että sähkö- ja jatkojohdot eivät ole vaurioituneet, vanhentuneet tai kuluneet. Jos johto vahingoittuu käytön aikana, irrota johto heti virtalähteestä. **ÄLÄ KOSKETA JOHTOA, ENNEN KUIN OLET IRROTTANUT SEN VIRTALÄHTEESTÄ.**
- ♦ Irrota akku laitteesta aina ennen sen jättämistä ilman valvontaa, tukoksen poistamista, puhdistamista ja huoltamista tai jos laitteeseen on osunut vieras esine tai se alkaa täristä epänormaalisti.
- ♦ Älä käytä laitetta, jos sen johdot ovat vahingoittuneet tai kuluneet.
- ♦ Suojaa jalat laitteen käytön aikana käyttämällä tukevia jalkineita.
- ♦ Suojaa sääret käyttämällä pitkiä housuja.
- ♦ Tarkista ennen laitteen käyttöä, ettei työskentelyalueella ole oksia, kiviä, metallilankaa tai muita esteitä.
- ♦ Käytä laitetta vain pystyasennossa leikkuusuojan mukaisesti lähellä maata. Älä koskaan käynnistä laitetta missään muussa asennossa.
- ♦ Liiku hitaasti, kun käytät laitetta. Muista, että juuri leikattu ruoho on kostea ja liukasta.
- ♦ Älä käytä laitetta jyrkillä rinteillä.

Työskentele rinteen korkeussuuntaan nähden poikittain, älä ylhäältä alas tai päinvastoin.

- ♦ Älä koskaan kuljeta laitetta sora- tai hiekkateiden yli langan pyöriessä.
- ♦ Älä koskaan kosketa leikkuulankaa laitteen ollessa käynnissä.
- ♦ Älä laita laitetta maahan, ennen kuin leikkuusiima on täysin pysähtynyt.
- ♦ Käytä ainoastaan oikean tyyppistä leikkuusiimaa. Älä koskaan käytä metallista leikkuulankaa tai ongensiimaa.
- ♦ Älä koske langan leikkuuterään.
- ♦ Pidä verkkovirtajohto aina mahdollisimman kaukana leikkuusiimasta. Ota huomioon virtajohdon asento aina laitetta käytettäessä.
- ♦ Pidä kädet ja jalat poissa leikkuulangan tieltä etenkin, kun moottori käynnistetään.
- ♦ Tarkista laite kulumisen tai vaurioiden varalta ennen työn aloittamista ja iskujen jälkeen. Korjaa puutteet ennen työn jatkamista.
- ♦ Älä koskaan käytä laitetta, jos jokin suoja on vaurioitunut tai ei ole paikallaan.
- ♦ Varo, ettet vahingoita itseäsi laitteella, joka on tarkoitettu siiman pituuden muuttamiseen. Kun olet pidentänyt uutta leikkuulankaa, aseta laite aina takaisin normaaliin käyttöasentoon ennen käynnistämistä.
- ♦ Varmista aina, että ilmanvaihtoaukot ovat puhtaita.
- ♦ Älä käytä nurmikkotrimmeriä (reunatrimmeriä), jos sen johdot ovat vahingoittuneet tai kuluneet.
- ♦ Pidä jatkojohdot poissa leikkaavien osien tieltä.

Akkuja ja laturia koskevat lisäturvaohjeet

Akku

- ♦ Älä koskaan yritä avata akkua.
- ♦ Älä anna akun kastua.
- ♦ Älä säilytä akkua tiloissa, joissa lämpötila voi nousta yli 40 °C:een.
- ♦ Lataa akku paikassa, jonka lämpötila on vähintään +10 °C ja enintään +40 °C.
- ♦ Lataa akku ainoastaan työkalun mukana toimitetulla laturilla.
- ♦ Noudata akkujen hävittämisessä Ympäristönsuojelu-kohdassa esitettyjä ohjeita.

Laturit

- ♦ Käytä BLACK+DECKER-laturia vain laitteen mukana toimitetun akun lataamiseen. Muut akut voivat räjähtää ja aiheuttaa henkilövahinkoja tai aineellisia vahinkoja.
- ♦ Älä koskaan yritä ladata akkuja, joita ei ole tarkoitettu ladattaviksi.
- ♦ Vaihda vialliset johdot välittömästi ehjiin.
- ♦ Älä altista laturia vedelle.
- ♦ Älä avaa laturia.
- ♦ Älä työnnä mitään laturin sisään.



Muuntaja on tarkoitettu ainoastaan sisäkäyttöön.



Lue käyttöohjeet huolellisesti ennen laitteen käyttöä.

Sähköturvallisuus



Laturi on kaksoiseristetty, joten erillistä maadoitusta ei tarvita. Tarkista aina, että verkkojännite vastaa arvokilvessä ilmoitettua jännitettä. Älä yritä korvata laturiyksikköä tavallisella verkkopistokkeella.

- ◆ Jos virtajohto vahingoittuu, sen vaihtaminen on turvallisuussyistä jätettävä valmistajan tai valtuutetun BLACK+DECKER-huollon tehtäväksi.

Laitteessa olevat merkinnät

Laitteessa on seuraavat varoitussymbolit ja päivämääräkoodi:



Lue käyttöohje ennen laitteen käyttöönottoa.



Käytä suojalaseja, kun käytät tätä laitetta.



Käytä asianmukaisia kuulosuojaimia, kun käytät laitetta.



Irrota akku laitteesta ennen puhdistamista tai huoltamista.



Varo sinkoilevia esineitä. Pidä sivulliset poissa leikkausalueelta.



Älä käytä laitetta sateessa tai erittäin kosteissa olosuhteissa.



Direktiivin 2000/14/EY mukainen taattu ääniteho.

Yleiskuvaus

Tässä laitteessa on kaikki tai joitakin seuraavista ominaisuuksista.

1. Nopeudensäädin
2. Kahva
3. Lukituspainike
4. Akku
5. Latauksen merkivalo
6. Apukahva
7. Korkeussäädön lukituspuristin
8. Leikkuupää
9. Pään kääntöpainike
10. Reunaohjain
11. Suojus
12. Kelakotelo
13. Kelan suojakorkki

Kokoaminen

Varoitus! Varmista ennen trimmerin kokoamista, että sen virta on katkaistu ja akku on irrotettu.

Suojuksen kiinnittäminen (kuvat D ja E)

- ◆ Irrota ruuvi (E1) suojuksesta.
 - ◆ Pidä suojus suorassa kulmassa trimmerin päähän nähden. Paina se paikalleen siten että kiinnityskielekkeestä kuuluu napsahdus. Varmista, että suojuksen (11) ohjauskiskot (D1) on kohdistettu trimmauspään (D3) ohjauskiskoihin (D2) kunnolla (kuva D). Lukituskielekkeen (D4) tulee kiinnittyä rungon koloon (D5).
 - ◆ Kiinnitä suojus paikalleen ruuvilla (E1) (kuva E).
- Varoitus!** Älä käytä työkalua, jos suojus ei ole kunnolla paikallaan.

Apukahvan kiinnittäminen (kuvat F ja G)

- ◆ Työnnä apukahva (F1) putkeen (F2).
 - ◆ Työnnä pultti (G1) kahvassa olevan kuusikulmisen reiän läpi vastakkaiselle puolelle.
 - ◆ Kiristä nuppi (G2) kiertämällä sitä myötäpäivään.
- Varoitus!** Varmista, että keskikohouma menee putken uraan.

Apukahvan asennon säätäminen (kuva G)

Säädä apukahvan (6) asento niin, että trimmeri pysyy tasapainossa ja sen käyttömukavuus on mahdollisimman hyvä.

- ◆ Löysää pultin (G1) nuppi (G2) kiertämällä sitä vastapäivään.
- ◆ Siirrä apukahva käyttömukavuuden kannalta sopivaan korkeuteen liu'uttamalla sitä varovasti ylös tai alas putkea (F2) pitkin.
- ◆ Kiristä nuppi (G2) pulttiin (G1) kiertämällä sitä myötäpäivään.

Trimmerin korkeuden säätäminen (kuva H)

Säädä trimmerin pituus siten, että työasento on oikea kuvassa M näkyvällä tavalla.

Työkalussa on teleskooppivarsi, jolla sen korkeus voidaan säätää halutuksi.

Säädä korkeus seuraavasti:

- ◆ Avaa korkeudensäädön lukitusvipu (7).
- ◆ Vedä putkea (H1) varovasti pidemmäksi tai työnnä sitä lyhyemmäksi haluamaasi pituuteen.
- ◆ Sulje korkeudensäädön lukitusvipu (7).

Leikkuusiiman vapauttaminen

Leikkuusiima on teipattu kiinni kelakoteloon kuljetuksen ajaksi.

Varoitus! Poista akku laitteesta aina ennen kokoamista.

- ◆ Irrota leikkuusiiman kelakoteloon (12) kiinnittävä teippi.

Akun kiinnittäminen ja irrottaminen (kuvat B ja C)

- ◆ Kiinnitä akku (4) asettamalla se koneen liitännän kanssa samaan linjaan. Liu'uta akkua kiinnityssyvennykseen, kunnes akku lukittuu paikalleen.
- ◆ Irrota akku painamalla vapautuspainiketta samalla kun vedät akkua irti kiinnityssyvennyksestä.

Käyttö

Varoitus! Anna työkalun käydä omaan tahtiinsa. Älä ylikuormita sitä.

Akun lataaminen

Lataa akku ennen ensimmäistä käyttökertaa ja aina silloin, kun se ei enää tuota riittävästi virtaa toimintoihin, jotka aikaisemmin hoituivat helposti. Akku voi lämmetä ladattaessa. Tämä on normaalia, eikä se ole merkki mistään viasta.

Varoitus! Älä lataa akkua, jos ympäristön lämpötila on alle +10 °C tai yli +40 °C. Suositeltava latauslämpötila: noin +24 °C.

Huomautus: Laturi ei lataa akkua, jos akun kennon lämpötila on alle 10 °C tai yli 40 °C.

Akku tulee kuitenkin jättää laturiin. Laturi aloittaa lataamisen automaattisesti, kun kennon lämpötila nousee tai laskee riittävästi.

- ◆ Yhdistä laturi sopivaan pistorasiaan, ennen kuin laitat akkuyksikön laturiin.
- ◆ Aseta akku latauslaitteeseen.



Vihreä LED-valo välkky sen merkiksi, että akkua ladataan.

Varoitus! Lataa tyhjentyneet akut mahdollisimman pian. Muutoin akkujen käyttöikä lyhenee merkittävästi.



Kun lataus on valmis, vihreä LED-valo jää palamaan jatkuvasti. Akku on tällöin täyteen ladattu, ja sitä voidaan käyttää heti tai sen voi jättää laturiin.

Laturin vianmääritys

Laturi tunnistaa tietyt akkuyksiköiden tai virransyötön ongelmat. Eri tavoin vilkkuva LED-merkkivalo ilmaisee ongelmat.

Viallinen akku



Jos akku on tullut elinkaarensa loppuun tai vaurioitunut, laturi voi tunnistaa tämän. Tällöin punainen LED-merkkivalo vilkkuu tarrassa kuvatulla tavalla. Jos merkkivalo vilkkuu akun vikaantumisen merkiksi, älä jatka akun lataamista. Toimita akku huoltokorjaamoon tai kierrätykseen.

Akun kuuma- tai kylmäviive



Jos laturi tunnistaa, että akku on liian kuuma tai kylmä, lataaminen aloitetaan vasta akun saavutettua oikean lämpötilan. Kun oikea lämpötila on saavutettu, lataaminen alkaa automaattisesti. Tämä ominaisuus pidentää akun ikää. Tällöin punainen LED-merkkivalo vilkkuu tarrassa kuvatulla tavalla kuuma- tai kylmäviiveen merkiksi.

Akun jättäminen laturiin

Akku voidaan jättää laturiin, kun merkkivalo palaa. Laturi pitää akun käyttövalmiina ja ladattuna.

Varustilan merkkivalo

Akussa on varustilan merkkivalo. Näet sen avulla akun varustilan, kun akku on trimmerissä tai kun sitä ladataan. Tämä merkkivalo ei ilmaise laitteen toimintakuntoisuutta. Merkkivalon toiminta voi vaihdella laitteen osien, lämpötilan ja käyttökohteen mukaan.

Akun varauksen tarkistus käytön aikana

- ◆ Tarkista varustila painamalla varauksen ilmaisinta (A1).
- ◆ Neljä LED-merkkivaloa (A2) osoittavat akun varauksen määrän (kuva A.)
- ◆ Jos LED-merkkivalo ei syty, lataa akku.

Käynnistäminen ja pysäyttäminen

- ◆ Voit käynnistää trimmerin pitämällä lukituspainiketta (3) painettuna.
- ◆ Paina nopeudensäätölipaisinta (1). Trimmerin pyörintänopeus, teho ja käyttöaika määräytyvät nopeudensäätölipaisimen painamisen mukaan. Jos liipaisinta painetaan kevyesti, pyörintänopeus on hidas ja teho vähäinen mutta akussa riittää virtaa pitkään. Jos liipaisin painetaan pohjaan, saavutetaan suurin pyörintänopeus ja teho mutta akku tyhjenee nopeammin.
- ◆ Voit sammuttaa trimmerin vapauttamalla liipaisimen ja lukituspainikkeen.

Varoitus! Älä koskaan yritä lukita virtapainiketta käyttöasentoon.

Trimmerin käyttö

- ◆ Kun trimmeri on käynnistetty, kallista sitä ja käännä sitä kevyesti puolelta toiselle kuvan M osoittamalla tavalla.
- ◆ Pidä trimmeriä leikkaamisen ajan 5–10 asteen kulmassa kuvan M1 osoittamalla tavalla. Älä ylitä 10 asteen kulmaa (kuva M2). Leikkaa siiman kärjellä. Reunaohjain (10) auttaa säilyttämään riittävän etäisyyden koviin pintoihin. Vedä ohjainta ulos, kunnes se napsahtaa tiukasti paikalleen.
- ◆ Pidä jalat aina vähintään 60 cm:n etäisyydellä suojuksesta (kuva M3). Jos etäisyys jää liian pieneksi, säädä trimmerin kokonaiskorkeutta kuvan H osoittamalla tavalla.

Leikkaaminen ja reunojen käsittelyminen (kuvat I, J ja K)

- ◆ Trimmeriä voidaan käyttää kuvan I mukaisessa tilassa leikkaamiseen tai kuvan K mukaisesti nurmikon reunojen ja kukkapenkien reunusten siistimiseen.

Leikkaaminen (kuvat I ja J)

Leikkaamista varten trimmerin pää asetetaan kuvan I osoittamaan asentoon. Jos se ei ole kuvan osoittamassa asennossa:

- ◆ Irrota akku trimmeristä.
- ◆ Pidä trimmerin pään vapautuspainiketta (9) painettuna
- ◆ Pidä kiinni apukavhasta (6) ja kierrä päätä (8) myötäpäivään.
- ◆ Vapauta pään vapautuspainike.

- ◆ Nosta reunaohjain (10) suljettuun asentoon.

Reunojen käsittelyminen (kuva K)

Varoitus! Kun trimmerin avulla käsitellään reunoja, siitä saattaa sinkoutua kiviä, metallikappaleita ja muita esineitä suurella nopeudella. Trimmeri ja suojus on suunniteltu vähentämään vaaraa, mutta varmista, että etäisyys muihin ihmisiin ja lemmikkeihin on vähintään 30 metriä. Reunojen käsittelyä varten trimmerin pää asetetaan kuvan K osoittamaan asentoon. Jos se ei ole kuvan osoittamassa asennossa:

- ◆ Irrota akku trimmeristä.
- ◆ Pidä trimmerin pään vapautuspainike (9) painettuna kuvan K osoittamalla tavalla.
- ◆ Pidä kiinni apukavhasta (6) ja kierrä päätä (8) vastapäivään.
- ◆ Vapauta pään vapautuspainike.
- ◆ Laske reunaohjain (10) aivoimeen asentoon. Napsahdus osoittaa, että reunaohjain on täysin alhaalla.

Huomautus: Pää pyörii vain yhteen suuntaan.

Varoitus! Älä tee trimmerin avulla reunuksia tai oja.

- ◆ Ohjaa trimmeriä kuvassa N näkyvällä tavalla.
- ◆ Lyhennä leikkausjälkeä kallistamalla trimmeriä hieman.

Vinkejä parhaimman tuloksen saavuttamiseksi

- ◆ Anna siiman pään leikata. Älä pakota sitä leikkaamattomaan ruohoon.
- ◆ Jos siiman pää osuu metalliverkko- tai puuaitaan, se kuluu voimakkaasti ja voi katketa. Osuminen kivi- tai tiiliseinään, reunakivetykseen tai puuhun saa siiman kulumaan nopeasti. Vältä siiman osumista koviin pintoihin.
- ◆ Älä anna kelan suojakorkin osua maahan tai muihin pintoihin.
- ◆ Jos ruoho on kasvanut pitkäksi, leikkaa se kerroksittain ylhäältä alaspäin. Suurin sallittu leikkauspituus on 30 cm.
- ◆ Pidä trimmeri kallellaan leikattavaa ruohoa kohden. Tämä on paras leikkauskulma.
- ◆ Trimmeri leikkaa, kun sitä liikutellaan sivusuunnassa oikealle ja vasemmalle. Tällöin sen käyttäjän päälle ei lennä leikkausjätettä.
- ◆ Vältä siiman osumista puihin ja pensaisiin. Siima vaurioittaa helposti puiden kuoria, puisia koristeita ja aidantolppia.

Siiman tukosten ja solmujen selvittäminen (kuvat O, P ja Q)

Varoitus! Irrota akku trimmeristä ennen sen säätämistä tai varusteiden vaihtamista. Tällä tavoin pienennetään laitteen tahattoman käynnistyksen mahdollisuutta. Varsinkin leikattaessa paksuja tai puuvartisia rikkakasveja siiman syöttöyksikkö voi tukkeutua pikana tai roskien vuoksi. Tällöin siima jumiutuu. Voit selvittää tukokset toimimalla seuraavasti.

- ◆ Paina kelan suojakorkin vapautuskielekettä ylkidi kuvassa O näkyvällä tavalla. Irrota korkki vetämällä suoraan.
- ◆ Irrota nylonsiimakela. Poista katkennut siima tai roskat.

- ◆ Aseta kela ja siima kelan suojakorkkiin siten, että siima on urassa, kuten kuvassa P1 näkyy.
- ◆ Työnnä siiman pää sille tarkoitettuun aukkoon suojakorkissa. Vedä löysä siima ulos kuvassa P2 näkyvällä tavalla.
- ◆ Paina kela paikalleen varovaisesti ja käännä sitä, kunnes se asettuu paikalleen. Kun kela on paikallaan, se kääntyy muutaman asteen vasemmalle ja oikealle vapaasti.
- ◆ Varo, että siima ei tartu kiinni kelan alle.
- ◆ Kohdista kelan suojakorkin kielekkeet kelan kotelon syvennyksiin (kuva P).
- ◆ Kiinnitä kelan suojakorkki takaisin paikalleen. Varmista, että kohoumat tarttuvat kelan koteloon.

Huomautus: Leikkuusiiman tulee ulottua noin 122 mm kotelon ulkopuolelle.

Kelan vaihtaminen (kuvat O, P, Q ja R)

- ◆ Poista akku trimmeristä.
- ◆ Pidä kielekkeitä painettuina ja poista suojakorkki trimmerin pään kelakotelosta (kuva O).
- ◆ Tartu yhdellä kädellä tyhjään kelaan ja toisella kädellä kelan suojakorkkiin. Vedä kela ulos.
- ◆ Vaihda kelan tilalle BLACK+DECKER-kela A6482-XJ.
- ◆ Poista kaikki lika ja ruoho kelasta ja sen suojakorkista.
- ◆ Jos kelan suojakorkin vipu (R1) siirtyy puos paikaltaan, aseta se oikeaan asentoon ennen uuden kelan asettamista paikalleen kuvassa R näkyvällä tavalla.
- ◆ Vapauta leikkuusiiman pää ja pujota siima reikään (P2).
- ◆ Paina kela suojakorkkiin varovaisesti ja käännä sitä, kunnes se asettuu paikalleen. Paina kiinni paikalleen. Kun kela on paikallaan, se kääntyy muutaman asteen vasemmalle ja oikealle vapaasti.
- ◆ Varo, että siima ei tartu kiinni kelan alle.
- ◆ Kohdista kelan suojakorkin kielekkeet kelan kotelon syvennyksiin (kuva Q).
- ◆ Kiinnitä kelan suojakorkki takaisin paikalleen. Varmista, että kohoumat tarttuvat kelan koteloon.

Huomautus: Leikkuusiiman tulee ulottua noin 122 mm kotelon ulkopuolelle.

Irtosiiman kiertäminen kelaan (käytä vain läpimitaltaan 2 millimetrin PYÖREÄÄ siimaa) (kuva S).

Irtosiimaa on myös saatavana paikallisilta jälleenmyyjiltä. Asenna irtosiima noudattamalla seuraavia ohjeita:

- ◆ Poista akku trimmeristä.
- ◆ Poista tyhjä kela trimmeristä noudattamalla ohjeita, jotka ovat kohdassa Kelan vaihtaminen.
- ◆ Poista kaikki vanha leikkuusiima kelasta.
- ◆ Taivuta leikkuusiiman pää kaksinkerron noin 19 millimetrin matkalta (S1). Syötä leikkuusiimaa johonkin siiman kiinnityskoloista saakka (S3).
- ◆ Varmista, että siima on tiukasti kiinni kelassa. Kela leikkuusiimaa kelaan siinä näkyvän nuolen suunnassa.
- ◆ Kela siimaa tasaisesti kerroksittain. Älä kela sitä edestakaisin (kuva T).
- ◆ Kun kelattu leikkuusiima on syvennyksen (S4) tasalla, kela on täynnä.
- ◆ Aseta siima uraan, kuten kuvassa P1 näkyy. Katkaise irtosiimakelaan johtava siima.

- ◆ Kiinnitä kela trimmeriin noudattamalla ohjeita, jotka ovat kohdassa Kelan vaihtaminen (kuvat O, P, Q ja R).

HUOMAUTUS: Käsin irtoisimasta kierretyt kelat sotkeutuvat helpommin kuin BLACK+DECKERin teollisesti kierretyt kelat. Parhaan tuloksen saamiseksi on suositeltavaa käyttää teollisesti kierrettyjä keloja.

Vaihtokelat:

#A6486-XJ (kolme SA-kelaa siimoineen)

#A6482-XJ (yksi SA-kela siimoineen)

Automaattisyöttöjärjestelmä (AFS)

Trimmerin AFS-kela tunnistaa siiman katkeamisen ja syöttää uutta siimaa automaattisesti. Älä nyi tai vedä siimaa. Jos AFS ei syötä oikein, irrota kela, tarkasta, että siima on kelattu oikein ja aseta kela takaisin paikalleen.

Huolto

Verkkojohdolla varustettu tai verkkojohdoton BLACK+DECKER-laite on suunniteltu toimimaan mahdollisimman kauan mahdollisimman vähällä huollolla. Oikealla huollolla ja säännöllisellä puhdistuksella työkalu/laite säilyttää suorituskykynsä. Laturi ei tarvitse säännöllisen puhdistamisen lisäksi mitään muuta huoltoa.

Varoitus! Toimi ennen verkkojohdolla varustetun tai verkkojohdoton sähkötyökalun huoltoa seuraavasti:

- ◆ Sammuta laite/työkalu ja irrota se verkkovirrasta.
- ◆ Jos laitteessa/työkalussa on erillinen akku, sammuta laite/työkalu ja irrota sen akku.
- ◆ Jos akku on kiinteä, käytä akku täysin loppuun ja sammuta laite sitten.
- ◆ Irrota laturi pistorasiasta ennen puhdistamista. Laturi ei tarvitse säännöllisen puhdistamisen lisäksi mitään muuta huoltoa.
- ◆ Puhdista laitteen ja laturin ilma-aukot säännöllisesti pehmeällä harjalla tai kuivalla kangasliinalla.
- ◆ Puhdista moottorin kotelo säännöllisesti kostealla liinalla. Älä koskaan käytä puhdistamiseen liuotainaineita tai syövyttäviä puhdistusaineita.
- ◆ Puhdista leikkuusiima ja kela säännöllisesti pehmeällä harjalla tai kuivalla rievulla.
- ◆ Poista ruoho ja lika suojuksen alta säännöllisesti tylpällä kaapimella.

Vianmääritys

| Ongelma | Ratkaisu |
|------------------------------------------------------------|---------------------------------------------------------------------------------------------------------------------------------------------------------------------------------------------------------------------------------------------------------------------------------------------------------------------------------------------------------------------------------------------------------------------------------------------------------------------------------------------------------------------------------------------------------------------------------------------------------------------------------------------------------------------------------------------------------------------------------------------------------------------------------------------------------------------------------------------------------------------------------------------------------------------------------------------------------------------------------------------------------------------------------------------------------------------------------------------------------------------------------------------------------------------------------------------------------------------------------------------------------------------------------------------------------------------------------------------------------------------------------------------------|
| Laite käy hitaasti. | <p>Paina nopeudensäätölipaisin pohjaan. Lipaisimen painaminen vaikuttaa pyörintänopeuteen.</p> <p>Poista akku trimmeristä.</p> <p>Tarkista, että kelan kotelo pääsee pyörimään esteettä. Puhdista se varovasti tarvittaessa.</p> <p>Tarkista, että leikkuusiima ulottuu enintään noin 122 mm kotelon ulkopuolelle. Jos se ulottuu pidemmälle, katkaise siima siten, että se ylettyy leikkuuterään.</p> |
| Siimaa ei syötetä automaattisesti. | <p>Siimaa syötetään, kun sen vapaa pituus on enää noin 76 mm. Saat selville syötetäänkö siimaa, kun annat sen kuluu tätä mittaa lyhyemmäksi.</p> <p>Pidä kielekkeitä painettuina ja poista suojakorkki trimmerin pään kelakotelosta.</p> <p>Varmista, että siimaa ei ole kelattu päällekkäin (kuva T). Jos siima on kelattu päällekkäin, irrota leikkuusiima kelasta ja kelaa se siististi takaisin paikalleen.</p> <p>Tarkasta, onko kelan alaosan urissa vaurioita. Jos havaitset vaurioita, vaihda kela.</p> <p>Vedä leikkuusiimaa ulos, kunnes se ulottuu noin 122 mm kelan ulkopuolelle. Jos kelassa ei ole tarpeeksi siimaa, asenna uusi siimakela. Kohdista kelan suojakorkin kielekkeet kotelon aukkoihin.</p> <p>Paina kelan suojakorkki koteloon, kunnes se napsahtaa kiinni paikalleen. Jos leikkuusiima ylettyy leikkuuterän yli, leikkaa se lyhyemmäksi niin, että se juuri ylettyy terään. Jos automaattinen siimansyöttö ei vielääkään toimi tai kela on jumissa, kokeile seuraavia toimenpiteitä: Puhdista kela ja kotelo varovaisesti. Varmista, että siiman läpimitta on oikea (2,00 mm). Jos siima on ohuempaa tai paksumpaa, automaattisyöttö ei toimi oikein.</p> <p>Irrota kela ja tarkista, että kelan kotelon vipu pääsee liikkumaan vapaasti.</p> <p>Irrota kela ja poista leikkuusiima siitä. Kelaa se siististi takaisin paikalleen. Aseta kela takaisin koteloon.</p> |
| Siimaa syötetään liikaa | <p>Varmista, että leikkuusiima katkaistaan 177 mm:n päässä kelasta. Voit tarvittaessa varmistaa oikean etäisyyden reunaohjaimen avulla.</p> <p>Varmista, että kulma on korkeintaan 10° kuvassa M näkyvällä tavalla. Vältä siiman osumista tiilen, betonin tai puun kaltaisiin koviin pintoihin. Muutoin siima kuluu ennenaikaisesti ja/tai sitä syötetään liikaa. Leikkaa siiman kärjellä.</p> |
| Kun korkki tai siimakela irrotetaan, siima irtoaa kelasta. | <p>Varmista ennen kelan irrottamista, että siima on urassa (kuva P).</p> |

Ympäristönsuojelu



Erillinen keräys. Tätä tuotetta ei saa hävittää normaalin kotitalousjätteen mukana.

Kun BLACK+DECKER-laitteesi aikanaan täytyy vaihtaa tai ei kelpaa enää käyttöön, älä hävitä laitetta kotitalousjätteen mukana. Toimita laite kierrätettäväksi.



Käytettyjen tuotteiden ja pakkausmateriaalien erilliskeruu avulla materiaalit voidaan kierrättää ja käyttää uudelleen.

Kierrätysmateriaalien käyttö auttaa vähentämään ympäristön saastumista ja uusien raaka-aineiden tarvetta.

Paikalliset säädökset voivat määrätä, että kodin sähkötuotteiden keruu tapahtuu kaupunkien jätteidenkäsittelyasemilla tai laitteita myyvissä liikkeissä uuden tuotteen oston yhteydessä.

Kun laitteesi on käytetty loppuun, älä hävitä sitä tavallisten roskien mukana, vaan vie se paikkakuntasi kierrätyskeskukseen tai jätä se valtuutettuun BLACK+DECKER-huoltoliikkeeseen.

Saat valtuutettujen huoltoliikkeiden yhteystiedot ottamalla yhteyden BLACK+DECKERiin tässä käyttöoppaassa ilmoitetussa osoitteessa. Valtuutettujen BLACK+DECKER-huoltoliikkeiden yhteystiedot sekä lisätietoja palveluistamme ja takuuehdoista on myös Internetissä osoitteessa www.2helpU.com

Akku



Hävitä loppuun kuluneet akut ympäristöstävällisesti.

- ◆ Käytä akku täysin loppuun ja irrota se sitten työkalusta.
- ◆ NiCd-, NiMH- ja Li-Ion-akut ovat kierrätettäviä. Pakkaa akut niin, että navat eivät aiheuta oikosulkuja. Voit viedä akut mihin tahansa valtuutettuun huoltoliikkeeseen tai paikalliselle jätehuoltoasemalle kierrätystä varten.
- ◆ Käsittele akkua niin, että navat eivät joudu oikosulkuun.
- ◆ Älä yritä polttaa akkua, sillä se voi aiheuttaa henkilövahinkoja tai räjähtää.

Tekniset tiedot

| | | |
|-----------------------|-------------------|-----------------|
| | | STB3620L K 1 |
| Tulojännite | V _{ac} | 36 V |
| Kuormittamaton nopeus | min ⁻¹ | 0 - 7200/min |
| Paino | kg | 3,4kg |

| | | |
|--------------|-----------------|--------|
| Akku | | BL2036 |
| Jännite | V _{dc} | 36 V |
| Kapasiteetti | Ah | 2,0 Ah |
| Tyyppi | | Li-Ion |

| | | |
|--------------|-----------------|------------------------------|
| Laturi | | LCS36, tyyppi 1 |
| Tulojännite | V _{ac} | 220–240 V |
| Lähtöjännite | V _{dc} | 36 V |
| Virta | mA A | Tulo: 600 mA Lähtö: 1,3 A |

Käteen kohdistuva painotettu ääninäarvo EN 50636-2-91:n mukaisesti:

$$= < 2,5 \text{ m/s}, \text{ epätarkkuus (K) = } 1,5 \text{ m/s.}$$

$$L_{\text{ra}} \text{ (äänenpaine) } 75 \text{ dB(A)}$$

$$\text{epätarkkuus (K) = } 1.5 \text{ dB(A)}$$

EY-vaatimustenmukaisuusvakuutus**KONEDIREKTIIVI
ULKOILMAMELUDIREKTIIVI****STB3620L** Akkukäyttöinen trimmeri

Black & Decker ilmoittaa, että tuotteet, jotka on kuvattu kohdassa Tekniset tiedot, täyttävät seuraavien direktiivien vaatimukset:

2006/42/EU, EN 60335-1:2012 + A11:2014
EN 50636-2-91:2014

2000/14/EY, Nurmikkotrimmeri, $L \leq 50$ cm, Liite VIII
DEKRA Certification B.V., Utrechtseweg 310,
6802 ED Arnhem, Alankomaat
Ilmoitetun elimen tunnusnumero: 0344

Akustisen tehon taso direktiivin 2000/14/EU (artikla 12, liite III,
 $L \leq 50$ cm) mukaisesti:

L_m (mitattu ääniteho) 95 dB(A)
epätarkkuus (K) = 1.5 dB(A)
 L_m (taattu ääniteho) 96 dB(A)

Nämä tuotteet täyttävät myös direktiivien 2014/108/EY
(19.4.2016 saakka), 2014/30/EU (20.4.2016 alkaen) ja
2011/65/EU vaatimukset.

Lisätietoja saa ottamalla yhteyden Black & Deckeriin
seuraavassa osoitteessa. Tiedot ovat myös käyttöohjeen
takakannessa.

Allekirjoittanut vastaa teknisten tietojen kokoamisesta ja antaa
tämän ilmoituksen Black & Deckerin puolesta.

R. Laverick
Engineering Manager
Black & Decker Europe, 210 Bath Road, Slough,
Berkshire, SL1 3YD
Yhdistynyt kuningaskunta
06/08/2015

Takuu

Black & Decker takaa, ettei tuotteessa ole materiaali- ja/tai valmistusvikaa silloin, kun se toimitetaan ostajalle. Takuu on lisäys kuluttajan laillisiin oikeuksiin eikä vaikuta niihin. Takuu on voimassa Euroopan unionin jäsenmaissa ja Euroopan vapaakauppa-alueella (EFTA).

Mikäli Black & Decker -kone hajoaa materiaali- ja/tai valmistusvirheen tai teknisten tietojen epätarkkuuden vuoksi 24 kuukauden kuluessa ostopäivästä, Black & Decker korjaa koneen ilman kustannuksia ostajalle tai vaihtaa sen Black & Decker Oy:n valinnan mukaan. Takuu ei kata vikoja, jotka johtuvat seuraavista:

- ◆ Tuotetta on käytetty kaupallisesti, ammattimaisesti tai vuokraukseen.
- ◆ Tuotetta on käytetty tai hoidettu virheellisesti.
- ◆ Tuotetta on vahingoitettu vieraalla esineellä tai aineella tai se on ollut onnettomuudessa.
- ◆ Jos korjauksia on yrittänyt joku muu kuin Black & Deckerin valtuuttama edustaja tai Black & Deckerin henkilökunta.

Edellytyksenä takuun saamiselle on, että ostaja jättää koneen ja ostokuitin jälleenmyyjälle tai valtuutetulle huoltoilikeelle. Saat valtuutettujen huoltoilikeiden yhteystiedot ottamalla yhteyden Black & Decker Oy:hyn tässä käyttöoppaassa ilmoitetussa osoitteessa. Valtuutettujen Black & Decker -huoltoilikeiden yhteystiedot sekä lisätietoja palveluistamme ja takuehdoista on myös Internetissä osoitteessa www.2helpU.com

Voit vierailla verkkosivuillemme www.blackanddecker.fi rekisteröidäksesi uuden BLACK+DECKER-tuotteesi ja saadaksesi tietoa uusista tuotteista ja erikoistarjouksista. Saat lisätietoja BLACK+DECKERin tavaramerkistä ja tuotevalikoimasta osoitteesta www.blackanddecker.fi.

Ενδειγμένη χρήση

Το χορτοκοπτικό STB3620L της BLACK+DECKER TM, είναι σχεδιασμένο για κοπή και φινιρίσμα στις άκρες του γκαζόν και για κοπή χόρτων σε περιορισμένους χώρους. Αυτό το εργαλείο προορίζεται μόνο για ερασιτεχνική χρήση.

Οδηγίες ασφαλείας

ΠΡΟΕΙΔΟΠΟΙΗΣΗ ! Κατά τη χρήση συσκευών που τροφοδοτούνται με ηλεκτρικό ρεύμα, θα πρέπει να λαμβάνονται πάντα οι βασικές προφυλάξεις ασφαλείας, συμπεριλαμβανομένων των παρακάτω, για τον περιορισμό του κινδύνου πυρκαγιάς, ηλεκτροπληξίας, τραυματισμού προσώπων και υλικών ζημιών.

ΠΡΟΕΙΔΟΠΟΙΗΣΗ ! Κατά τη χρήση του μηχανήματος, πρέπει να τηρούνται οι κανόνες ασφαλείας. Για τη δική σας ασφάλεια και των παρευρισκομένων, διαβάστε αυτές τις οδηγίες πριν να χρησιμοποιήσετε το εργαλείο. Παρακαλούμε φυλάξτε τις οδηγίες σε ασφαλές μέρος για μεταγενέστερη χρήση.

- ♦ Διαβάστε προσεκτικά όλο το περιεχόμενο αυτού του εγχειριδίου πριν χρησιμοποιήσετε τη συσκευή σας.
- ♦ Η προβλεπόμενη χρήση περιγράφεται στο παρόν εγχειρίδιο. Τόσο η χρήση εξαρτημάτων ή προσαρτημάτων όσο και η πραγματοποίηση εργασιών με τη συσκευή που δεν συνιστώνται σε αυτό το εγχειρίδιο οδηγούν ενδεχόμενα σε κίνδυνο τραυματισμού.
- ♦ Φυλάξτε αυτό το εγχειρίδιο για μελλοντική αναφορά.

Χρήση της συσκευής σας

Προσέχετε πάντα όταν χρησιμοποιείτε τη συσκευή.

- ♦ Φοράτε πάντα προστατευτικά γυαλιά ασφαλείας.

- ♦ Μην αφήνετε ποτέ μικρά παιδιά ή άτομα που δεν γνωρίζουν τις οδηγίες να χρησιμοποιήσουν τη συσκευή.
- ♦ Μην αφήνετε παιδιά ή ζώα να πλησιάσουν στο χώρο εργασίας ή να αγγίζουν τη συσκευή ή το καλώδιο τροφοδοσίας.
- ♦ Απαιτείται στενή επίβλεψη κατά τη χρήση της συσκευής πλησίον παιδιών.
- ♦ Αυτή η συσκευή δεν προορίζεται για χρήση από νεαρά ή αδύναμα άτομα χωρίς επίβλεψη.
- ♦ Η συσκευή αυτή δεν πρέπει να χρησιμοποιείται ως παιχνίδι.
- ♦ Χρησιμοποιήστε τη συσκευή μόνο με φως ημέρας ή με επαρκή τεχνητό φωτισμό.
- ♦ Να χρησιμοποιείται μόνο σε χώρους χωρίς υγρασία. Μην αφήνετε να βραχεί η συσκευή.
- ♦ Αποφεύγετε τη χρήση της συσκευής υπό κακές καιρικές συνθήκες, ειδικά όταν υπάρχει κίνδυνος πτώσης κεραυνών.
- ♦ Μην εμβυθίζετε τη συσκευή σε νερό.
- ♦ Μην ανοίγετε το περίβλημα του κορμού. Δεν υπάρχουν εξαρτήματα στο εσωτερικό που να επιδέχονται επισκευή από το χρήστη.
- ♦ Μη θέτετε σε λειτουργία τη συσκευή σε εκρηκτικό περιβάλλον, όπως παρουσία εύφλεκτων υγρών, αερίων ή σκόνης.
- ♦ Για να βγάλετε το φινιρίσμα από την πρίζα, μην τραβάτε ποτέ το καλώδιο. Έτσι θα αποφύγετε τον κίνδυνο φθοράς του φινιρίσματος και του καλωδίου.
- ♦ Η συσκευή πρέπει να χρησιμοποιείται μόνο με τη μονάδα τροφοδοσίας που παρέχεται με τη συσκευή.

Ασφάλεια άλλων προσώπων

- ♦ Αυτή η συσκευή μπορεί να χρησιμοποιηθεί από παιδιά ηλικίας 8 ετών και άνω καθώς και από άτομα με μειωμένες σωματικές, αισθητηριακές ή διανοητικές ικανότητες ή άτομα χωρίς εμπειρία και γνώσεις, μόνο εφόσον επιτηρούνται ή τους έχουν δοθεί οδηγίες σχετικά με την ασφαλή χρήση της συσκευής και έχουν κατανοήσει τους πιθανούς κινδύνους. Τα παιδιά δεν πρέπει να παίζουν με τη συσκευή. Ο καθαρισμός και η συντήρηση δεν πρέπει να γίνονται από παιδιά χωρίς επίβλεψη.
- ♦ Τα παιδιά πρέπει να επιτηρούνται για να εξασφαλίζεται ότι δεν παίζουν με τη συσκευή.

Υπολειπόμενοι κίνδυνοι.

Μπορεί να δημιουργηθούν επιπρόσθετοι αναπόφευκτοι κίνδυνοι, όταν χρησιμοποιείτε το εργαλείο, οι οποίοι ενδέχεται να μη συμπεριλαμβάνονται στις προειδοποιήσεις ασφαλείας που εσωκλείονται.

Αυτοί οι κίνδυνοι μπορεί να προκληθούν από κακή χρήση, παρατεταμένη χρήση κτλ.

Παρά την εφαρμογή των σχετικών κανονισμών ασφαλείας και την ύπαρξη διατάξεων ασφαλείας, ορισμένοι υπολειπόμενοι κίνδυνοι δεν μπορούν να αποφευχθούν. Αυτοί περιλαμβάνουν:

- ♦ Τραυματισμοί λόγω επαφής με περιστρεφόμενα/κινούμενα μέρη.
- ♦ Τραυματισμούς από αλλαγή οπιοωνδήποτε εξαρτημάτων, λεπίδων ή αξεσουάρ.
- ♦ Τραυματισμούς από παρατεταμένη χρήση του εργαλείου.

Όταν χρησιμοποιείτε οποιοδήποτε εργαλείο για παρατεταμένες χρονικές περιόδους βεβαιωθείτε ότι κάνετε τακτικά διαλείμματα.

- ♦ Προβλήματα ακοής.
- ♦ Κίνδυνοι στην υγεία που προκαλούνται από την εισπνοή σκόνης όταν χρησιμοποιείτε το εργαλείο (παράδειγμα:- όταν επεξεργάζεστε ξύλο, ειδικά δρυς, οξιά και MDF.)

Μετά τη χρήση

- ♦ Όταν δεν χρησιμοποιείται, η συσκευή πρέπει να φυλάσσεται σε στεγνό, καλά αεριζόμενο χώρο, μακριά από παιδιά.
- ♦ Τα παιδιά δεν πρέπει να έχουν πρόσβαση σε αποθηκευμένες συσκευές.
- ♦ Όταν η συσκευή αποθηκεύεται ή μεταφέρεται μέσα σε όχημα πρέπει να τοποθετείται στο χώρο αποσκευών ή να στερεώνεται ώστε να μη μετακινείται σε περίπτωση απότομων μεταβολών της ταχύτητας ή της κατεύθυνσης του οχήματος.

Έλεγχος και επισκευή

- ♦ Πριν από τη χρήση, ελέγξτε τη συσκευή σας για τυχόν χαλασμένα ή ελαττωματικά εξαρτήματα. Ελέγξτε αν υπάρχουν σπασμένα εξαρτήματα και οποιεσδήποτε άλλες συνθήκες που θα μπορούσαν να επηρεάσουν τη λειτουργία της.
- ♦ Μη χρησιμοποιήσετε τη συσκευή αν οποιοδήποτε εξάρτημα έχει υποστεί ζημιά ή βλάβη.
- ♦ Φροντίστε να γίνει η επισκευή ή η αντικατάσταση των τυχόν ελαττωματικών εξαρτημάτων από εξουσιοδοτημένο κέντρο επισκευών.

- ♦ Μην επιχειρήσετε να αφαιρέσετε ή να αντικαταστήσετε οποιαδήποτε τμήματα εκτός από αυτά που ορίζονται στο παρόν εγχειρίδιο.

Συμπληρωματικές οδηγίες ασφαλείας για τα χορτοκοπτικά με μακριά λαβή

ΠΡΟΕΙΔΟΠΟΙΗΣΗ ! Τα εξαρτήματα κοπής συνεχίζουν να περιστρέφονται και μετά την απενεργοποίηση του μοτέρ.

- ♦ Εξοικειωθείτε με τα χειριστήρια και τη σωστή χρήση της συσκευής.
- ♦ Πριν από τη χρήση, ελέγξτε το καλώδιο τροφοδοσίας και το καλώδιο επέκτασης για ίχνη βλάβης, αλλοίωσης και φθοράς. Εάν κάποιο καλώδιο υποστεί ζημιά κατά τη χρήση, αποσυνδέστε το αμέσως από την πρίζα. ΜΗΝ ΑΓΓΙΖΕΤΕ ΤΟ ΚΑΛΩΔΙΟ ΠΡΙΝ ΑΠΟΣΥΝΔΕΣΕΤΕ ΤΗΝ ΤΡΟΦΟΔΟΣΙΑ.
- ♦ Αφαιρείτε πάντα την μπαταρία από τη συσκευή κάθε φορά που αφήνετε τη συσκευή χωρίς επίβλεψη, προτού αποκαταστήσετε μια έμφραξη, πριν τον καθαρισμό ή τη συντήρηση, μετά από κρούση με ξένο αντικείμενο ή εάν η συσκευή αρχίσει να παράγει ασυνήθιστους κραδασμούς.
- ♦ Μην χρησιμοποιείτε τη συσκευή εάν τα καλώδια είναι κατεστραμμένα ή φθαρμένα.
- ♦ Να φοράτε γερά παπούτσια ή μπότες για να προστατεύετε τα πόδια σας.
- ♦ Να φοράτε παντελόνι για να προστατεύετε τα πόδια σας.
- ♦ Πριν χρησιμοποιείτε τη συσκευή, βεβαιωθείτε ότι στο γκαζόν που θα κόψετε δεν υπάρχουν ξύλα, πέτρες, σύρματα ή άλλα εμπόδια.
- ♦ Χρησιμοποιείτε τη συσκευή μόνο σε όρθια θέση, με τη μεσινέζα κοντά στο έδαφος. Ποτέ μην ενεργοποιήσετε τη συσκευή σε οποιαδήποτε άλλη θέση.
- ♦ Να μετακινείστε αργά κατά τη χρήση της συσκευής. Να έχετε υπόψη σας ότι το φρεσκοκομμένο γρασίδι είναι νωπό και ολισθηρό.
- ♦ Μην εργάζεστε σε εδάφη με έντονη κλίση. Σε εδάφη με κλίση, να εργάζεστε κατά το πλάτος της κλίσης, όχι προς τα πάνω και κάτω.
- ♦ Μην διασχίζετε ποτέ μονοπάτια ή δρόμους με χαλίκι με τη συσκευή σε λειτουργία.
- ♦ Μην αγγίζετε ποτέ τη γραμμή κοπής ενώ λειτουργεί η συσκευή.
- ♦ Μην αφήνετε τη συσκευή κάτω εάν δεν έχει σταματήσει εντελώς η μεσινέζα.
- ♦ Χρησιμοποιείτε μόνο τον κατάλληλο τύπο μεσινέζας. Μην χρησιμοποιείτε ποτέ μεταλλική γραμμή κοπής ή πετονιά για ψάρεμα.
- ♦ Προσέξτε να μην αγγίξετε ποτέ τη λεπίδα κοπής γραμμής.
- ♦ Κρατάτε το καλώδιο τροφοδοσίας μακριά από τη μεσινέζα. Να έχετε πάντα υπόψη σα τη θέση του καλωδίου.
- ♦ Κρατάτε πάντοτε τα χέρια και τα πόδια σας μακριά από τη γραμμή κοπής, ειδικά κατά την ενεργοποίηση του μοτέρ.
- ♦ Πριν χρησιμοποιήσετε τη συσκευή και μετά από οποιαδήποτε πρόσκρουση, ελέγχετε για σημάδια φθοράς ή ζημιάς και επισκευάστε εάν είναι απαραίτητο.
- ♦ Μην χρησιμοποιείτε ποτέ τη συσκευή με ελαττωματικά προστατευτικά ή χωρίς τα προστατευτικά στη θέση τους.

- ♦ Αποφεύγετε τους τραυματισμούς από το εξάρτημα που κόβει την μεισινέζα. Μετά το τέντωμα νέας γραμμής κοπής, πάντοτε επαναφέρετε το μηχάνημα στην κανονική του θέση χειρισμού πριν το ενεργοποιήσετε.
- ♦ Εξασφαλίζετε πάντοτε ότι οι εγκοπές εξαερισμού διατηρούνται καθαρές από υπολείμματα.
- ♦ Μη χρησιμοποιείτε το χλοοκοπτικό (εργαλείο κοπής), αν τα καλώδια είναι κατεστραμμένα ή φθαρμένα.
- ♦ Κρατήστε τα καλώδια επέκτασης μακριά από στοιχεία κοπής.

Πρόσθετες οδηγίες ασφαλείας για μπαταρίες και φορτιστές

Μπαταρίες

- ♦ Μη επιχειρήσετε ποτέ να ανοίξετε τις μπαταρίες για οποιοδήποτε λόγο.
- ♦ Μη εκθέτετε την μπαταρία σε νερό.
- ♦ Μη φυλάσσετε τις μπαταρίες σε μέρη όπου η θερμοκρασία μπορεί να υπερβεί τους 40 °C.
- ♦ Η φόρτιση πρέπει να γίνεται μόνο σε θερμοκρασίες περιβάλλοντος μεταξύ 10 °C και 40 °C.
- ♦ Η φόρτιση πρέπει να γίνεται μόνο με τους φορτιστές που παρέχονται μαζί με το εργαλείο.
- ♦ Κατά την απόρριψη των μπαταριών, να ακολουθείτε τις οδηγίες που παρέχονται στην ενότητα "Προστασία του περιβάλλοντος".

Φορτιστές

- ♦ Ο φορτιστής BLACK+DECKER πρέπει να χρησιμοποιείται αποκλειστικά και μόνο για τη φόρτιση της μπαταρίας του εργαλείου το οποίο συνοδεύει. Αν χρησιμοποιηθεί για άλλες μπαταρίες, αυτές μπορεί να εκραγούν, προκαλώντας τραυματισμό και ζημιές.

- ♦ Μη επιχειρείτε ποτέ να φορτίσετε μη επαναφορτιζόμενες μπαταρίες.
- ♦ Εάν κάποιο καλώδιο φθαρεί, αντικαταστήστε το αμέσως.
- ♦ Μη εκθέτετε το φορτιστή σε νερό.
- ♦ Μη ανοίγετε το φορτιστή.
- ♦ Μη επεμβαίνετε στο φορτιστή.



Ο προσαρμογέας προορίζεται για χρήση σε εσωτερικούς χώρους μόνο.



Διαβάστε το εγχειρίδιο οδηγιών πριν από τη χρήση.

Ασφαλής χρήση ηλεκτρικού ρεύματος



Ο φορτιστής σας φέρει διπλή μόνωση, επομένως δεν απαιτείται σύρμα γείωσης. Ελέγχετε πάντα ότι η τάση τροφοδοσίας αντιστοιχεί σε αυτήν που αναγράφεται στην πινακίδα τεχνικών χαρακτηριστικών. Ποτέ μη επιχειρείτε να αντικαταστήσετε τη μονάδα φορτιστή με έναν κανονικό ρευματολήπτη.

- ♦ Αν το καλώδιο τροφοδοσίας είναι κατεστραμμένο, πρέπει να αντικατασταθεί από τον κατασκευαστή ή εξουσιοδοτημένο κέντρο τεχνικής υποστήριξης BLACK+DECKER για την αποφυγή κινδύνου.

Επικέτες στη συσκευή

Στη συσκευή εμφανίζονται τα εξής προειδοποιητικά σύμβολα μαζί με τον κωδικό ημερομηνίας:



Διαβάστε το εγχειρίδιο οδηγιών πριν από τη λειτουργία.



Φοράτε προστατευτικά γυαλιά ή μάσκα όταν χρησιμοποιείτε αυτήν τη συσκευή.



Φοράτε ωτασπίδες κατά το χειρισμό της συσκευής.



Αφαιρείτε πάντα την μπαταρία από τη συσκευή πριν την εκτέλεση οποιουδήποτε καθαρισμού ή συντήρησης.



Προσέχετε για τυχόν αντικείμενα που εκσφενδονίζονται. Κρατάτε τους παρευρισκόμενους μακριά από την περιοχή κοπής.



Μην εκθέτετε τη συσκευή σε βροχή ή υψηλή υγρασία.



Οδηγία 2000/14/EK περί εγγυημένης ακουστικής ισχύος.

Λειτουργίες

Η παρούσα συσκευή περιλαμβάνει μερικά ή όλα από τα παρακάτω στοιχεία.

1. Σκανδάλη ρύθμισης ταχύτητας
2. Χειρολαβή
3. Κουμπί ξεκλειδώματος
4. Μπαταρία
5. Ενδεικτική λυχνία φόρτισης
6. Βοηθητική λαβή
7. Σφικτήρας ασφάλισης ρύθμισης του ύψους.
8. Κεφαλή χορτοκοπτικού
9. Κουμπί περιστροφής κεφαλής
10. Οδηγό ακμής
11. Προστατευτικό
12. Περιβλήμα καρουλιού
13. Κάλυμμα καρουλιού

Συναρμολόγηση

ΠΡΟΕΙΔΟΠΟΙΗΣΗ! Πριν από τη συναρμολόγηση, βεβαιωθείτε ότι το εργαλείο είναι απενεργοποιημένο και ότι έχετε αφαιρέσει τη μπαταρία.

Τοποθέτηση του προφυλακτήρα (Εικ. D & E)

- ◆ Αφαιρέστε τη βίδα (E1) από τον προφυλακτήρα.
- ◆ Διατηρήστε τον προφυλακτήρα επίπεδο με την κεφαλή του χορτοκοπτικού και σιδέτε τον στη θέση του μέχρι να ακουστεί ο ήχος «κλικ» από την γλωττίδα συγκράτησης. Βεβαιωθείτε ότι οι οδηγοί (D1) του προφυλακτήρα (11) είναι σωστά ευθυγραμμισμένοι με τους οδηγούς (D2) της κεφαλής του χορτοκοπτικού (D3) (Εικόνα D). Η γλωττίδα ασφάλισης (D4) πρέπει να κουμπώσει στην υποδοχή του περιβλήματος (D5).
- ◆ Ασφαλίστε τον προφυλακτήρα χρησιμοποιώντας τη βίδα (E1) (Εικόνα E).

ΠΡΟΕΙΔΟΠΟΙΗΣΗ! Ποτέ μη χρησιμοποιείτε το εργαλείο εάν δεν έχει τοποθετηθεί σωστά το προστατευτικό.

Τοποθέτηση της βοηθητικής λαβής (Εικ. F & G)

- ◆ Πιέστε τη βοηθητική λαβή (F1) επάνω στον σωλήνα (F2).
- ◆ Σύρετε τη βίδα (G1) μέσα στην εξάγωνη οπή της λαβής και περάστε την στην αντίθετη πλευρά.
- ◆ Σφίξτε το μπουτόν (G2) στη βίδα, στρίβοντάς το δεξιόστροφα.

ΠΡΟΕΙΔΟΠΟΙΗΣΗ! Βεβαιωθείτε ότι το κεντρικό νεύρο έχει εφαρμόσει στην υποδοχή του σωλήνα.

Ρύθμιση της θέσης της βοηθητικής λαβής (Εικ. G)

Η βοηθητική λαβή (G) μπορεί να ρυθμιστεί για να παρέχει άριστη ισορροπία και άνεση.

- ◆ Ξεσφίξτε το μπουτόν (G2) από τη βίδα (G1), στρίβοντάς το αριστερόστροφα.
- ◆ Σύρετε απαλά τη βοηθητική λαβή επάνω ή κάτω στο σωλήνα (F2) για να ρυθμίσετε το επιθυμητό ύψος για άνεση.
- ◆ Σφίξτε το μπουτόν (G2) στη βίδα (G1), στρίβοντάς το δεξιόστροφα.

Ρύθμιση του ύψους του εργαλείου (Εικ. H)

Ρυθμίστε το μήκος του χορτοκοπτικού, όπως φαίνεται στην Εικόνα M, για να επιτύχετε τη σωστή στάση εργασίας. Το εργαλείο αυτό έχει έναν τηλεσκοπικό μηχανισμό, που σας επιτρέπει να το ρυθμίσετε σε ένα άνετο ύψος. Για να ρυθμίσετε το ύψος, προχωρήστε ως εξής:

- ◆ Απελευθερώστε τον σφικτήρα ασφάλισης ρύθμισης του ύψους (7).
- ◆ Τραβήξτε απαλά τον σωλήνα (H1) προς τα πάνω ή προς τα κάτω στο ύψος που επιθυμείτε.
- ◆ Κλείστε τον σφικτήρα ασφάλισης ρύθμισης του ύψους (7).

Απελευθέρωση του νήματος κοπής

Κατά τη μεταφορά, το νήμα κοπής είναι κολλημένο με ταινία στο περίβλημα του καρουλιού.

ΠΡΟΕΙΔΟΠΟΙΗΣΗ! Πριν από τη συναρμολόγηση, αφαιρέστε τη μπαταρία από το εργαλείο.

- ◆ Αφαιρέστε την ταινία που συγκρατεί το νήμα κοπής στο περίβλημα του καρουλιού (12).

Τοποθέτηση και αφαίρεση της μπαταρίας (Εικ. B & C)

- ◆ Για να τοποθετήσετε τη μπαταρία (4), ευθυγραμμίστε την με την υποδοχή στο εργαλείο. Περάστε τη μπαταρία μέσα στην υποδοχή και σπρώξτε την μέχρι να ασφαλίσει στη θέση της.
- ◆ Για να αφαιρέσετε την μπαταρία, πατήστε το κουμπί απελευθέρωσης μπαταρίας και ταυτόχρονα τραβήξτε την μπαταρία έξω από την υποδοχή.

Χρήση

ΠΡΟΕΙΔΟΠΟΙΗΣΗ! Αφήστε το εργαλείο να λειτουργήσει με το δικό του ρυθμό. Αποφύγετε την υπερφόρτωση.

Φόρτιση της μπαταρίας

Η μπαταρία πρέπει να φορτίζεται πριν από την πρώτη χρήση και όποτε αδυνατεί να παρέχει επαρκή ισχύ σε εργασίες που προγενέστερα διεξάγονταν με ευκολία.

Η μπαταρία μπορεί να θερμαίνεται κατά τη φόρτιση. Κάτι τέτοιο είναι φυσιολογικό και δεν υποδηλώνει πρόβλημα.

ΠΡΟΕΙΔΟΠΟΙΗΣΗ ! Μην φορτίζετε την μπαταρία σε θερμοκρασίες περιβάλλοντος κάτω από 10 °C ή πάνω από 40 °C. Συνιστώμενη θερμοκρασία φόρτισης: περίπου 24 °C. Σημείωση: Ο φορτιστής δε θα φορτίσει μια μπαταρία με θερμοκρασία κυψέλης κάτω από περίπου 10 °C ή πάνω από 40 °C.

Η μπαταρία θα πρέπει να μείνει στο φορτιστή και αυτός θα αρχίσει να τη φορτίζει αυτόματα μόλις η θερμοκρασία κυψέλης αυξηθεί ή μειωθεί αντίστοιχα.

- ◆ Συνδέστε τον φορτιστή σε κατάλληλη πρίζα πριν τοποθετήσετε την μπαταρία.
- ◆ Τοποθετήστε την μπαταρία στον φορτιστή.



Η πράσινη λυχνία LED θα αναβοσβήσει υποδεικνύοντας ότι η μπαταρία φορτίζεται.



Η φόρτιση έχει ολοκληρωθεί όταν η λυχνία LED μείνει μόνιμα αναμμένη. Τότε η μπαταρία είναι πλήρως φορτισμένη και μπορείτε να τη χρησιμοποιήσετε ή να την αφήσετε τοποθετημένη στον φορτιστή.

ΠΡΟΕΙΔΟΠΟΙΗΣΗ ! Επαναφορτίζετε τις εκφορτισμένες μπαταρίες το συντομότερο δυνατό μετά τη χρήση τους, διαφορετικά η διάρκεια ζωής τους θα μειωθεί σημαντικά.

Διαγνωστικά φορτιστή

Αυτός ο φορτιστής είναι σχεδιασμένος να ανιχνεύει συγκεκριμένα προβλήματα που σχετίζονται με τις μπαταρίες ή την τροφοδοσία ρεύματος. Κάθε πρόβλημα υποδεικνύεται από τον διαφορετικό τρόπο που αναβοσβήνει η αντίστοιχη λυχνία LED.

Ελαττωματική μπαταρία



Ο φορτιστής μπορεί εντοπίσει μια αδύναμη ή κατεστραμμένη μπαταρία. Η κόκκινη λυχνία LED θα αναβοσβήσει με το μοτίβο που υποδεικνύεται στην ετικέτα. Εάν το μοτίβο της λυχνίας υποδεικνύει ελαττωματική μπαταρία, τότε διακόψτε τη φόρτιση της μπαταρίας. Παραδώστε την σε ένα κέντρο σέρβις ή κέντρο ανακύκλωσης.

Καθυστερήση ζεστής/κρύας μπαταρίας



Αν ο φορτιστής ανιχνεύσει μπαταρία με υπερβολικά υψηλή ή χαμηλή θερμοκρασία, ξεκινά αυτόματα μια Καθυστερήση ζεστής/κρύας μπαταρίας, αναστέλλοντας τη φόρτιση έως ότου η μπαταρία φθάσει σε κατάλληλη θερμοκρασία. Κατόπιν, ο φορτιστής αρχίζει αυτόματα τη φόρτιση της μπαταρίας. Αυτή η λειτουργία διασφαλίζει τη μέγιστη διάρκεια ζωής της μπαταρίας. Κατά την καθυστέρηση ζεστής/κρύας μπαταρίας η κόκκινη λυχνία LED αναβοσβήνει με το μοτίβο που υποδεικνύεται στην ετικέτα.

Παραμονή της μπαταρίας στο φορτιστή

Ο φορτιστής και η μπαταρία μπορούν να παραμείνουν συνδεδεμένα με τη λυχνία LED αναμμένη επ' αόριστον. Ο φορτιστής θα διατηρήσει την μπαταρία πλήρως φορτισμένη.

Ενδεικτική λυχνία κατάστασης φόρτισης

Η μπαταρία είναι εξοπλισμένη με μια ενδεικτική λυχνία κατάστασης φόρτισης. Αυτή μπορεί να χρησιμοποιηθεί για να εμφανίσει το τρέχον επίπεδο φόρτισης στην μπαταρία κατά τη διάρκεια της χρήσης του χορτοκοπτικού και κατά τη διάρκεια της φόρτισης. Δεν δείχνει τη λειτουργικότητα της συσκευής και υπόκειται σε μεταβολές βάσει των εξαρτημάτων του προϊόντος, της θερμοκρασίας και της εφαρμογής του τελικού χρήστη.

Έλεγχος της κατάστασης φόρτισης κατά τη χρήση

- ◆ Πιέστε το κουμπί της ενδεικτικής λυχνίας κατάστασης φόρτισης (A1).
- ◆ Το ποσοστό φόρτισης της μπαταρίας υποδεικνύεται από τέσσερις λυχνίες LED (A2) (Εικ. A).
- ◆ Εάν η λυχνία LED δεν ανάβει, τότε φορτίστε την μπαταρία.

Ενεργοποίηση και απενεργοποίηση

- ◆ Για να θέσετε το χορτοκοπτικό σε λειτουργία, κρατήστε πατημένο το κουμπί ξεκλειδώματος (3).
- ◆ Πατήστε τη σκανδάλη ρύθμισης ταχύτητας (1). Οι στροφές, η ισχύς και η αυτονομία του χορτοκοπτικού εξαρτώνται από τη διαδρομή πατήματος της σκανδάλης. Ελαφρό πάτημα της σκανδάλης συνεπάγεται χαμηλότερες στροφές και ισχύ, αλλά μεγαλύτερη αυτονομία. Πλήρες πάτημα της σκανδάλης συνεπάγεται μέγιστες στροφές και ισχύ, αλλά μικρότερη αυτονομία.
- ◆ Για να θέσετε το χορτοκοπτικό εκτός λειτουργία, ελευθερώστε το κουμπί ξεκλειδώματος.

ΠΡΟΕΙΔΟΠΟΙΗΣΗ ! Μην επιχειρήσετε ποτέ να ασφαλίσετε το κουμπί ξεκλειδώματος στη θέση ενεργοποίησης.

Λειτουργία του χορτοκοπτικού

- ◆ Με τη μονάδα σε λειτουργία, θέστε τη μονάδα υπό γωνία και μετακινήστε το χορτοκοπτικό από πλευρά σε πλευρά, όπως φαίνεται στην (Εικ. M).
- ◆ Διατηρήστε γωνία κοπής 5° έως 10°, όπως φαίνεται στην εικόνα M1. Μην υπερβείτε τις 10° (Εικ. M2). Κόψτε με το άκρο του νήματος. Για να διατηρήσετε απόσταση από σκληρές, επιφανείες χρησιμοποιήστε τον οδηγό άκρου (10). Τραβήξτε τον οδηγό προς τα έξω, μέχρι να κουμπώσει καλά στη θέση του.

- ◆ Διατηρείτε ελάχιστη απόσταση 60 cm μεταξύ του προφυλακτήρα και των ποδιών σας, όπως φαίνεται στην (Εικ. Μ3). Για να επιτύχετε αυτή την απόσταση, ρυθμίστε το συνολικό ύψος του χορτοκοπτικού, όπως φαίνεται στην (Εικ. Η).

Επιλογή λειτουργίας κοπής ή φινιρίσματος άκρου (Εικ. Ι, J και Κ).

- ◆ Το εργαλείο μπορεί να χρησιμοποιηθεί στη λειτουργία κοπής όπως φαίνεται στην (Εικ. Ι) ή στη λειτουργία φινιρίσματος άκρου, για να κόψει χόρτα που κρέμονται από το άκρο του γκαζόν ή του παρτεριού όπως φαίνεται στην (Εικ. Κ).

Λειτουργία κοπής (Εικ. Ι και J)

Για τη λειτουργία κοπής, η κεφαλή του χορτοκοπτικού πρέπει να βρίσκεται στη θέση που φαίνεται στην Εικ. Ι. Εάν δεν είναι:

- ◆ Αφαιρέστε τη μπαταρία από το χορτοκοπτικό.
- ◆ Πιέστε και κρατήστε πατημένο το κουμπί απελευθέρωσης της κεφαλής (9).
- ◆ Ενώ κρατάτε τη βοηθητική λαβή (6), περιστρέψτε τη κεφαλή (8) δεξιόστροφα.
- ◆ Αφήστε το κουμπί απελευθέρωσης της κεφαλής.
- ◆ Ανασηκώστε τον οδηγό ακμής (10) ώστε να είναι στην κλειστή θέση.

Λειτουργία φινιρίσματος άκρου (Εικ. Κ).

ΠΡΟΕΙΔΟΠΟΙΗΣΗ ! Κατά τη χρήση για το φινιρίσμα άκρου, η μεσινέζα ενδέχεται να εκτοξεύσει με μεγάλη ταχύτητα πέτρες, τεμάχια μετάλλου και άλλα αντικείμενα. Το χορτοκοπτικό και ο προφυλακτήρας είναι σχεδιασμένοι έτσι ώστε να μειώνουν τον κίνδυνο, φροντίζετε ωστόσο ότι τυχόν παρειρισκόμενοι και κατοικίδια να απέχουν τουλάχιστον 30 μέτρα. Για το φινιρίσμα, η κεφαλή του χορτοκοπτικού πρέπει να βρίσκεται στη θέση που φαίνεται στην (Εικ. Κ). Αν δεν είναι σε αυτή τη θέση:

- ◆ Αφαιρέστε τη μπαταρία από το χορτοκοπτικό.
- ◆ Πιέστε και κρατήστε πατημένο το κουμπί απελευθέρωσης της κεφαλής (9), όπως φαίνεται στην (Εικ. Κ).
- ◆ Ενώ κρατάτε τη βοηθητική λαβή (6), περιστρέψτε τη κεφαλή (8) αριστερόστροφα.
- ◆ Αφήστε το κουμπί απελευθέρωσης της κεφαλής.
- ◆ Κατεβάστε τον οδηγό ακμής (10) στην ανοικτή θέση. Βεβαιωθείτε ότι ο οδηγός ακμής έχει χαμηλώσει εντελώς, και θα ακουστεί ένα κλικ.

Σημείωση: Η κεφαλή περιστρέφεται μόνο προς μία κατεύθυνση.

Προειδοποίηση ! Μη χρησιμοποιείτε το χορτοκοπτικό για να δημιουργήσετε σχέδια ή χαντάκια.

- ◆ Μετακινήστε το χορτοκοπτικό όπως φαίνεται στην (Εικ. Ν).
- ◆ Για να πραγματοποιήσετε μια πλησιέστερη κοπή, γείρετε ελαφρά το χορτοκοπτικό.

Συμβουλές για άριστη χρήση

- ◆ Χρησιμοποιείτε το άκρο της μεσινέζας για να κόψετε. Μην πιέζετε την κεφαλή της μεσινέζας μέσα στα άκοπα χόρτα.

- ◆ Οι φράκτες, είτε με συρματοπλέγμα είτε ξύλινοι, προκαλούν πρόσθετη φθορά στη μεσινέζα, ακόμα και στάσιμό της. Τα τοιχία από πέτρα ή τούβλο, τα ρείθρα και τα ξύλα φθείρουν τη μεσινέζα ταχύτατα. Ελαττώστε όσο μπορείτε την επαφή με σκληρές επιφάνειες.
- ◆ Μην αφήνετε το κάλυμμα του καρουλιού να τρίβεται στο έδαφος ή άλλες επιφάνειες.
- ◆ Σε ψηλά χόρτα, ξεκινήστε να κόβετε από πάνω προς τα κάτω, αλλάζοντας ύψος το πολύ μέχρι 30 εκατοστά τη φορά.
- ◆ Δώστε κλίση στο χορτοκοπτικό προς την περιοχή που κόβετε. Αυτή είναι η αποδοτικότερη γωνία κοπής.
- ◆ Το χορτοκοπτικό κόβει κατά την κίνηση της κεφαλής του από τα δεξιά προς τα αριστερά. Με τον τρόπο αυτό αποφεύγετε την εκτίναξη αντικειμένων προς τον χειριστή.
- ◆ Αποφεύγετε δέντρα και θάμνους. Η μεσινέζα μπορεί εύκολα να κάνει ζημιά σε φλοιούς δέντρων, ξύλινα σφατεπιά και κορνίζες, επενδύσεις και ραμποτέ ή πασσάλους περιφράξης.

Αποκατάσταση εμπλοκών και μπερδέματος της μεσινέζας, Εικ. Ο, Ρ, Q.

ΠΡΟΕΙΔΟΠΟΙΗΣΗ ! Αφαιρέστε την μπαταρία από το χορτοκοπτικό πριν τη ρύθμιση του συγκροτήματος ή την αλλαγή αξεσουάρ. Αυτά τα προληπτικά μέτρα ασφαλείας μειώνουν τον κίνδυνο να τθεθεί η συσκευή ακούσια σε λειτουργία. Ανά διαστήματα, ειδικά όταν κόβετε παχιά ή σαρκώδη χορτάρια, ο μηχανισμός τροφοδότησης μεσινέζας ενδέχεται να εμφοράξει με κατάλοιπα ή άλλα υλικά με αποτέλεσμα την εμπλοκή της μεσινέζας. Για την αποκατάσταση εμπλοκών, ακολουθήστε τα παρακάτω βήματα:

- ◆ Πατήστε τις γλωττίδες απελευθέρωσης που υπάρχουν στο κάλυμμα του καρουλιού, όπως φαίνεται στην (Εικ. Ο) και αφαιρέστε το κάλυμμα, τραβώντας το ευθεία προς τα έξω.
 - ◆ Τραβήξτε έξω το καρούλι της μεσινέζας και καθαρίστε το από σπασμένα κομμάτια μεσινέζας ή κατάλοιπα.
 - ◆ Τοποθετήστε το καρούλι και τη μεσινέζα στο κάλυμμα, με τη μεσινέζα στερεωμένη στις αντίστοιχες υποδοχές, όπως φαίνεται στην (Εικ. Ρ1).
 - ◆ Περάστε το άκρο της μεσινέζας μέσα από τις αντίστοιχες σπές του καλύμματος του καρουλιού. Τραβήξτε το χαλαρό τμήμα της μεσινέζας έξω από τις υποδοχές στερέωσης, όπως φαίνεται στην (Εικ. Ρ2).
 - ◆ Πιέστε ελαφρά το καρούλι προς τα κάτω και περιστρέψτε το μέχρι να το αισθανθείτε να κομψώνεται. Όταν το καρούλι είναι σωστά τοποθετημένο περιστρέφεται ελεύθερα εμπρός και πίσω κατά μερικές μοίρες.
 - ◆ Φροντίστε να μην παγιδευτεί η μεσινέζα κάτω από το καρούλι.
 - ◆ Ευθυγραμμίστε τις γλωττίδες του καλύμματος του καρουλιού με τις υποδοχές που υπάρχουν στο περιβλημα του καρουλιού (Εικ. Ρ).
 - ◆ Ασφαλίστε το κάλυμμα στη θέση του, φροντίζοντας οι γλωττίδες να κομψώσουν στο περιβλημα του καρουλιού.
- Σημείωση:** Η μεσινέζα πρέπει να εξεχει κατά 122 mm περίπου από το περιβλημα.

Αντικατάσταση του καρουλιού Εικ. Ο, Ρ, Q και R

- ◆ Αφαιρέστε τη μπαταρία από το χορτοκοπτικό.

- ◆ Πιέστε τις γλωττίδες και αφαιρέστε το κάλυμμα του καρουλιού από το περίβλημα που υπάρχει στην κεφαλή του χορτοκοπτικού (εικ. Ο).
- ◆ Πιέστε το άδαιο καρούλι με το ένα χέρι και το κάλυμμα του με το άλλο και, τραβήξτε έξω το καρούλι.
- ◆ Αντικαταστήστε το καρούλι με το ανταλλακτικό A6482-XJ της BLACK+DECKER.
- ◆ Αφαιρέστε τυχόν βρωμιές και χόρτα από το καρούλι και από το κάλυμμα του.
- ◆ Εάν ο μοχλός (R1) που υπάρχει στη βάση του καλύμματος μετακινηθεί, τοποθετήστε τον ξανά στη σωστή θέση προτού τοποθετήσετε το νέο καρούλι, όπως φαίνεται στην (Εικ. R).
- ◆ Απασφαλίστε το άκρο της μεσινέζας και περάστε την στην οπή (P2).
- ◆ Πιέστε ελαφρά το καρούλι μέσα στο κάλυμμα και περιστρέψτε το μέχρι να το αισθανθείτε να κουμπώνει. Κατόπιν, πιέστε το για να ασφαλίσει στη θέση του. Όταν το καρούλι είναι σωστά τοποθετημένο περιστρέφεται ελεύθερα εμπρός και πίσω κατά μερικές μοίρες.
- ◆ Φροντίστε να μην παγιδευτεί η μεσινέζα κάτω από το καρούλι.
- ◆ Ευθυγραμμίστε τις γλωττίδες του καλύμματος του καρουλιού με τις υποδοχές που υπάρχουν στο περίβλημα του καρουλιού (Εικ. Q).
- ◆ Ασφαλίστε το κάλυμμα στη θέση του, φροντίζοντας οι γλωττίδες να κουμπώσουν στο περίβλημα του καρουλιού.

Σημείωση: Η μεσινέζα πρέπει να εξήκει κατά 122 mm περίπου από το περίβλημα.

Τύλιγμα ανταλλακτικής μεσινέζας του εμπορίου (χρησιμοποιείτε μόνο ΣΤΡΟΓΓΥΛΗ μεσινέζα διαμέτρου 2,00 mm) (Εικ. S)

Το χύδην νήμα κοπής είναι επίσης διαθέσιμο προς αγορά από τον τοπικό έμπορο λιανικής.

Για την τοποθέτηση χύδην νήματος κοπής, ακολουθήστε τα παρακάτω βήματα:

- ◆ Αφαιρέστε τη μπαταρία από το χορτοκοπτικό.
- ◆ Αφαιρέστε το άδαιο καρούλι από το χορτοκοπτικό, όπως περιγράφεται στην ενότητα "Αντικατάσταση καρουλιού".
- ◆ Αφαιρέστε τυχόν νήμα κοπής που παραμένει στο καρούλι.
- ◆ Διπλώστε τη μεσινέζα περίπου στα 19 mm από το άκρο της (S1). Περάστε τη μεσινέζα σε μία από τις υποδοχές στερέωσης (S3).
- ◆ Βεβαιωθείτε ότι η μεσινέζα είναι περασμένη σφιχτά στο καρούλι, και αρχίστε να την τυλίγετε στο καρούλι, σύμφωνα με τη φορά που υποδεικνύει το βέλος που υπάρχει στο καρούλι.
- ◆ Βεβαιωθείτε ότι τυλίγετε το νήμα με τάξη και σε στρώσεις. Μην τη σταυρώνετε (Εικ. T).
- ◆ Μόλις η τυλιγμένη μεσινέζα φτάσει στις εσοχές (S4), το καρούλι έχει γεμίσει.
- ◆ Τοποθετήστε τη μεσινέζα στις υποδοχές στερέωσης που υπάρχουν (Εικ. P1). Κόψτε τη μεσινέζα από τη συσκευασία αγοράς.
- ◆ Τοποθετήστε το καρούλι επάνω στο χορτοκοπτικό, όπως περιγράφεται στην ενότητα "Αντικατάσταση καρουλιού" (Εικ. O, P, Q και R).

ΣΗΜΕΙΩΣΗ: Τα καρούλια που τυλιγονται με το χέρι με ανταλλακτική μεσινέζα του εμπορίου ενδέχεται να μπερδεύονται συχνότερα από τα καρούλια της BLACK+DECKER που τυλιγονται στο εργοστάσιο. Σας συνιστούμε να χρησιμοποιείτε καρούλια εργοστασιακής περιέλιξης, προκειμένου να εξασφαλίσετε τα καλύτερα δυνατά αποτελέσματα.

Ανταλλακτικά καρούλια:
#A6486-XJ (3 τμχ. καρουλιού και μεσινέζας SA)
#A6482-XJ (1 τμχ. καρουλιού και μεσινέζας SA)

Αυτόματο σύστημα τροφοδότησης (AFS)

Το χορτοκοπτικό διαθέτει καρούλι AFS, το οποίο αντιλαμβάνεται τη θραύση της μεσινέζας και τροφοδοτεί αυτόματα με νέα. Μην χτυπάτε και μην τραβάτε τη μεσινέζα. Εάν το σύστημα AFS δεν τροφοδοτεί σωστά, αφαιρέστε το καρούλι βεβαιωθείτε ότι η μεσινέζα είναι σωστά τυλιγμένη και τοποθετήστε το ξανά στο εργαλείο.

Συντήρηση

Αυτό το εργαλείο με καλώδιο/χωρίς καλώδιο της BLACK+DECKER έχει σχεδιαστεί έτσι ώστε να λειτουργεί για μεγάλο χρονικό διάστημα με την ελάχιστη δυνατή συντήρηση. Η αδιάλειπτη και ικανοποιητική λειτουργία του εργαλείου/ συσκευής εξαρτάται από τη φροντίδα και τον τακτικό καθαρισμό του.

Ο φορτιστής σας δεν απαιτεί κάποια συντήρηση εκτός του τακτικού καθαρισμού.

ΠΡΟΕΙΔΟΠΟΙΗΣΗ ! Πριν πραγματοποιήσετε οποιαδήποτε συντήρηση σε ηλεκτρικά εργαλεία με καλώδιο/χωρίς καλώδιο:

- ◆ Απενεργοποιήστε και αποσυνδέστε τη συσκευή/εργαλείο από την πρίζα.
- ◆ Ή απενεργοποιήστε και αφαιρέστε την μπαταρία από τη συσκευή/εργαλείο, εάν η συσκευή/εργαλείο διαθέτει ξεχωριστή μπαταρία.
- ◆ Ή χρησιμοποιήστε την μπαταρία μέχρι να αδειάσει εντελώς και στη συνέχεια απενεργοποιήστε.
- ◆ Αποσυνδέετε τον φορτιστή προτού τον καθαρίσετε. Ο φορτιστής σας δεν απαιτεί κάποια συντήρηση εκτός του τακτικού καθαρισμού.
- ◆ Να καθαρίζετε τακτικά τις εγχοπές εξερισμού του εργαλείου/συσκευής και του φορτιστή με μια μαλακή βούρτσα ή ένα στεγνό πανί.
- ◆ Να καθαρίζετε τακτικά το περίβλημα του μοτέρ με ένα υγρό πανί. Μην χρησιμοποιείτε λειαντικά υγρά καθαρισμού ή προϊόντα που περιέχουν διαλυτικά.
- ◆ Να καθαρίζετε τακτικά το νήμα και το καρούλι με μια μαλακή βούρτσα ή με ένα στεγνό πανί.
- ◆ Χρησιμοποιείτε τακτικά μια μη αιχμηρή ξύστρα για να αφαιρέσετε το γρασίδι και το χώμα από το κάτω μέρος του προστατευτικού.

Αντιμετώπιση προβλημάτων

| Πρόβλημα | Λύση |
|---------------------------|----------------------------------------------------------------------------------------------------------------------------------------------------------------------------------------------------------------------------------------------------------------------------------------------------------------------------------------------------------------------------------------------------------------------------------------------------------------------------|
| Η συσκευή λειτουργεί αργά | <p>Πατήστε τη σκανδάλη ρύθμισης ταχύτητας μέχρι το τέρμα. Η διάδρομη πατήματος της σκανδάλης επηρεάζει την ταχύτητα περιστροφής.</p> <p>Αφαιρέστε τη μπαταρία από το χορτοκοπτικό.</p> <p>Ελέγξτε ότι το περίβλημα του καρουλιού μπορεί να περιστρέφεται ελεύθερα. Καθαρίστε το προσεκτικά, εάν χρειάζεται.</p> <p>Βεβαιωθείτε ότι η μεσινέζα δεν εξέχει πάνω από 122 mm (περίπου) από το καρούλι. Εάν προεξέχει, κόψτε την ώστε μόλις να φτάνει στη λεπίδα κοπής.</p> |

| | |
|---------------------------------------------------------------|------------------------------------------------------------------------------------------------------------------------------------------------------------------------------------------------------------------------------------------------------------------------------------------------------------------------------------------------------------------------------------------------------------------------------------------------------------------------------------------------------------------------------------------------------------------------------------------------------------------------------------------------------------------------------------------------------------------------------------------------------------------------------------------------------------------------------------------------------------------------------------------------------------------------------------------------------------------------------------------------------------------------------------------------------------------------------------------------------------------------------------------------------------------------------------------------------------------------------------------------------------------------------------------------------------------------------------------------------------------------------------------------------------------------------------------------------------------------------------------------------------------------------------------------------------------------------------------------------------------------------------------------------------------------------------------------------------------------------|
| <p>Η αυτόματη τροφοδότηση μεσινέζας δεν λειτουργεί.</p> | <p>Η τροφοδότηση ενεργοποιείται μόλις το μήκος της μεσινέζας φτάσει τα 76 mm. Για να καθορίσετε εάν η τροφοδότηση λειτουργεί, πρέπει να αφήσετε τη μεσινέζα να φθαρεί μέχρι αυτό το μήκος.</p> <p>Κρατήστε τις γλωπίδες πατημένες και αφαιρέστε το καρούλι με το κάλυμμα του από το περίβλημα που υπάρχει στην κεφαλή του χορτοκοπτικού.</p> <p>Βεβαιωθείτε ότι η μεσινέζα δεν έχει σταυρώσει, όπως φαίνεται στην (Εικ. Τ). Εάν έχει, τότε ξετυλίξτε την και τυλίξτε την σωστά.</p> <p>Ελέγξτε τις αλκακώσεις στην κάτω πλευρά του καρουλιού για βλάβες. Εάν υπάρχουν, τότε αντικαταστήστε το καρούλι.</p> <p>Τραβήξτε τη μεσινέζα μέχρι να εξέχει 122 mm (περίπου) από το καρούλι. Εάν έχει μείνει ανεπαρκές μήκος μεσινέζας στο καρούλι, τότε τοποθετήστε νέο καρούλι μεσινέζας.</p> <p>Ευθυγραμμίστε τις γλωπίδες στο κάλυμμα του καρουλιού με τις εγκοπές στο περίβλημα.</p> <p>Πιέστε το κάλυμμα μέσα στο περίβλημα μέχρι να κουμπώσει καλά στη θέση του. Εάν το νήμα προεξέχει πέρα από τη λεπίδα κοπής, κόψτε το έτσι ώστε μόλις να φτάνει στη λεπίδα. Εάν η αυτόματη τροφοδότηση μεσινέζας εξακολουθεί να μην λειτουργεί ή εάν το καρούλι έχει φρακάρει, δοκιμάστε τα παρακάτω:</p> <p>Καθαρίστε προσεκτικά το κάλυμμα του καρουλιού και το περίβλημα.</p> <p>Βεβαιωθείτε ότι χρησιμοποιείτε μεσινέζα με σωστή μορφή και διάμετρο (2,00 mm) - η μεσινέζα μικρότερης ή μεγαλύτερης διάστασης επηρεάζει τη σωστή λειτουργία του αυτόματου συστήματος τροφοδότησης.</p> <p>Αφαιρέστε το καρούλι και ελέγξτε εάν ο μοχλός που υπάρχει μέσα στο περίβλημα κινείται ελεύθερα.</p> <p>Αφαιρέστε το καρούλι, ξετυλίξτε τη μεσινέζα και, στη συνέχεια, τυλίξτε την πάλι σωστά. Τοποθετήστε ξανά το καρούλι στο περίβλημα.</p> |
| Υπερτροφοδότηση | <p>Βεβαιωθείτε ότι κόβετε με το άκρο της μεσινέζας σε απόσταση 177 mm από το καρούλι. Εάν χρειάζεται, χρησιμοποιήστε τον οδηγό άκρου για να εξασφαλίσετε τη σωστή απόσταση.</p> <p>Βεβαιωθείτε ότι δεν υπερβαίνετε τη γωνία 10°, όπως φαίνεται στην (Εικ. Μ). Αποφύγετε την επαφή της μεσινέζας με σκληρές επιφάνειες, όπως τούβλα, τσιμέντο, ξύλο κ.λπ. Έτσι θα αποφύγετε την υπερβολική φθορά της μεσινέζας και/ή την υπερτροφοδότηση. Κόβετε με το άκρο της μεσινέζας.</p> |
| Η μεσινέζα ξετυλιγεται όταν αφαιρέτε το κάλυμμα ή το καρούλι. | <p>Φροντίστε να στερεώσετε τα άκρα της μεσινέζας στις υποδοχές συγκράτησης (εικόνα Ρ) πριν την αφαίρεση.</p> |

Προστασία του περιβάλλοντος



Ξεχωριστή περισυλλογή. Αυτό το προϊόν δεν πρέπει να απορρίπτεται μαζί με τα συνήθη οικιακά απορρίμματα.

Εάν κάποια μέρα διαπιστώσετε ότι το προϊόν σας BLACK+DECKER χρειάζεται αντικατάσταση ή ότι δεν το χρειάζεστε άλλο, μην το απορρίψετε μαζί με τα κοινά οικιακά απορρίμματα, αλλά κάντε αυτό το προϊόν διαθέσιμο για ξεχωριστή περισυλλογή.



Η ξεχωριστή περισυλλογή των μεταχειρισμένων προϊόντων και των υλικών συσκευασίας επιτρέπει την ανακύκλωση και επαναχρησιμοποίηση των υλικών.

Με την επαναχρησιμοποίηση των ανακυκλωμένων υλικών αποτρέπεται η μόλυνση του περιβάλλοντος και μειώνεται η ζήτηση πρώτων υλών.

Οι κανονισμοί που ισχύουν στην περιοχή σας ενδέχεται να προβλέπουν την ξεχωριστή περισυλλογή των ηλεκτρικών συσκευών που προέρχονται από νοικοκυριά σε δημοτικές εγκαταστάσεις ή από τον έμπορο όταν αγοράσετε ένα καινούργιο προϊόν.

Η BLACK+DECKER δίνει τη δυνατότητα ανακύκλωσης των προϊόντων της BLACK+DECKER που έχουν συμπληρώσει τη διάρκεια ζωής τους. Για να χρησιμοποιήσετε αυτήν την υπηρεσία, επιστρέψτε το προϊόν σας σε οποιοδήποτε εξουσιοδοτημένο κέντρο επισκευών, όπου θα το παραλάβουν εκ μέρους μας.

Ενημερωθείτε για το πλησιέστερο εξουσιοδοτημένο κέντρο επισκευών της περιοχής σας, επικοινωνώντας με τα γραφεία της BLACK+DECKER στη διεύθυνση που αναγράφεται στο εγχειρίδιο. Επίσης, μια λίστα με τα εξουσιοδοτημένα κέντρα επισκευών BLACK+DECKER και πλήρεις λεπτομέρειες για τις υπηρεσίες που παρέχονται μετά την πώληση, καθώς και στοιχεία επικοινωνίας υπάρχουν στο διαδίκτυο, στη διεύθυνση: www.2helpU.com

Μπαταρίες



Στο τέλος της ωφέλιμης ζωής τους, απορρίψτε τις μπαταρίες με την πρόεπουσα φροντίδα για το περιβάλλον μας:

- ◆ Χρησιμοποιήστε το εργαλείο μέχρι να αδειάσει εντελώς η μπαταρία και στη συνέχεια αφαιρέστε την από το εργαλείο.
- ◆ Οι μπαταρίες NiCd, NiMH και Li-Ion είναι ανακυκλώσιμες. Τοποθετήστε την(τις) μπαταρία(ες) σε κατάλληλη συσκευασία για να εξασφαλίσετε ότι οι ακροδέκτες δεν μπορούν να βραχυκυκλώσουν. Παραδώστε τις σε οποιοδήποτε εξουσιοδοτημένο αντιπρόσωπο επισκευών ή ένα τοπικό σταθμό ανακύκλωσης.
- ◆ Μη βραχυκυκλώνετε τους ακροδέκτες της μπαταρίας.
- ◆ Μην απορρίπτετε την/τις μπαταρία(-ες) στη φωτιά, καθώς ενδέχεται να προκληθεί κίνδυνος τραυματισμού ή έκρηξη.

Τεχνικά χαρακτηριστικά

| | | |
|-----------------------|-------------------|-----------------|
| | | STB3620L H 1 |
| Τάση εισόδου | V _{ac} | 36V |
| Ταχύτητα χωρίς φορτίο | min ⁻¹ | 0 - 7200/min |
| Βάρος | kg | 3,4 kg |

| | | |
|--------------|-----------------|---------------|
| Μπαταρία | | BL2036 |
| Τάση | V _{ac} | 36V |
| Χωρητικότητα | Ah | 2,0 Ah |
| Τύπος | | Ιόντων Λιθίου |

| | | |
|--------------|-----------------|----------------------------------|
| Φορτιστής | | LCS36 Τύπος 1 |
| Τάση εισόδου | V _{ac} | 220 - 240 V |
| Τάση εξόδου | V _{ac} | 36V |
| Ρεύμα | mA A | Είσοδος: 600 mA Έξοδος: 1,3 A |

Τιμή κραδασμών στο χειροβραχιόνιο σύμφωνα με το πρότυπο EN 50636-2-91:

= < 2,5 m/s², αβεβαιότητα (K) = 1,5 m/s².

L_{in} (ηχητική πίεση) 75 dB(A)

αβεβαιότητα (K) = 1.5 dB(A)

Δήλωση συμμόρφωσης ΕΚ

ΟΔΗΓΙΑ ΠΕΡΙ ΜΗΧΑΝΗΜΑΤΩΝ
ΟΔΗΓΙΑ ΓΙΑ ΘΟΥΡΥΒΟΥΣ ΣΕ ΕΞΩΤΕΡΙΚΟΥΣ ΧΩΡΟΥΣ



STB3620L Επαναφορτιζόμενο χορτοκοπτικό μεσινέζας

Η Black & Decker δηλώνει ότι τα προϊόντα αυτά που περιγράφονται στα "τεχνικά χαρακτηριστικά" συμμορφώνονται με τα ακόλουθα:

2006/42/ΕΚ, EN 60335-1:2012 + A11:2014
EN 50636-2-91:2014

2000/14/ΕΚ, Χορτοκοπτικό, L ≤ 50 cm, Παράρτημα VIII
DEKRA Certification B.V., Utrechtseweg 310,
6802 ED Arnhem, The Netherlands
Αρ. ID Διακοινωνμένου Οργανισμού: 0344

Στάθμη ηχητικής ισχύος σύμφωνα με το 2000/14/ΕΚ (Άρθρο 12, Παράρτημα III, L ≤ 50cm):
L_{in} (μετρημένη ηχητική ισχύς) 95 dB(A)
αβεβαιότητα (K) = 1.5 dB(A)
L_{in} (εγγυημένη ηχητική ισχύς) 96 dB(A)

Τα συγκεκριμένα προϊόντα συμμορφώνονται επίσης με τις Οδηγίες 2014/108/ΕΚ (μέχρι την 19.04.2016), 2014/30/ΕΕ (από την 20.04.2016) και την 2011/65/ΕΕ.

Για περισσότερες πληροφορίες, επικοινωνήστε με την Black & Decker στην παρακάτω διεύθυνση ή να ανατρέξετε στο πίσω μέρος του εγχειριδίου.

Ο κάτωθι υπογεγραμμένος είναι υπεύθυνος για την κατάρτιση του τεχνικού φακέλου και δηλώνει τα παρόντα εκ μέρους της Black & Decker.

R. Laverick
Υπεύθυνος Σχεδιασμού
Black & Decker Europe, 210 Bath Road, Slough,
Berkshire, SL1 3YD
Ηνωμένο Βασίλειο
06/08/2015

Εγγύηση

Η Black & Decker είναι σίγουρη για την ποιότητα των προϊόντων της και παρέχει εξαιρετική εγγύηση. Η παρούσα γραπτή εγγύηση αποτελεί πρόσθετο δικαίωμά σας και δεν ζημιώνει τα νόμιμα δικαιώματά σας. Η εγγύηση ισχύει εντός της επικράτειας των Κρατών Μελών της Ευρωπαϊκής Ένωσης και της Ευρωπαϊκής Ζώνης Ελευθέρων Συναλλαγών.

Σε περίπτωση που κάποιο προϊόν της Black & Decker παρουσιάσει βλάβη εξαιτίας ελαττωματικών υλικών, ποιότητας εργασίας ή έλλειψης συμφωνίας με τις προδιαγραφές εντός 24 μηνών από την ημερομηνία αγοράς, η Black & Decker εγγυάται την αντικατάσταση των ελαττωματικών τμημάτων, την επισκευή προϊόντων που έχουν υποστεί εύλογη φθορά λόγω χρήσης ή την αντικατάσταση των προϊόντων προκειμένου να εξασφαλίσει την ελάχιστη ενόχληση στους πελάτες της, εκτός εάν:

- ◆ Το προϊόν έχει χρησιμοποιηθεί σε εργασιακό, επαγγελματικό περιβάλλον ή έχει ενοικιαστεί.
- ◆ Έχει γίνει εσφαλμένη χρήση του προϊόντος ή έχει παραμεληθεί.
- ◆ Το προϊόν έχει υποστεί βλάβη από άλλα αντικείμενα, από ουσίες ή λόγω ατυχήματος.
- ◆ Έχει γίνει προσπάθεια επισκευής από μη εξουσιοδοτημένα κέντρα επισκευών ή από προσωπικό που δεν ανήκει στο προσωπικό της Black & Decker.

Για να ισχύσει η εγγύηση, πρέπει να υποβάλετε απόδειξη αγοράς στον πωλητή ή το εξουσιοδοτημένο κέντρο επισκευών. Ενημερωθείτε για το πλησιέστερο εξουσιοδοτημένο κέντρο επισκευών της περιοχής σας, επικοινωνώντας με τα γραφεία της Black & Decker στη διεύθυνση που αναγράφεται στο εγχειρίδιο. Επίσης, μια λίστα με τα εξουσιοδοτημένα κέντρα επισκευών της Black & Decker και πλήρεις λεπτομέρειες για τις υπηρεσίες που παρέχονται μετά την πώληση, καθώς και στοιχεία επικοινωνίας υπάρχουν στο Διαδίκτυο, στη διεύθυνση: www.2helpU.com

Επισκεφθείτε την ιστοσελίδα μας www.blackanddecker.gr για να καταχωρίσετε το νέο σας προϊόν BLACK+DECKER και για να ενημερώνεστε για τα νέα προϊόντα και τις ειδικές προσφορές. Περισσότερες πληροφορίες για τη μάρκα BLACK+DECKER και την γκάμα των προϊόντων της διατίθενται στη διεύθυνση www.blackanddecker.co.uk

| | | |
|-------------------------------------------------------------------------------------------------------|-----------------------------------------------------------------------------------------------------------------------------------------------------------|----------------------------------------------------------------------------|
| België/Belgique/Luxembourg www.blackanddecker.be enduser.be@sbdinc.com | Stanley Black & Decker Belgium BVBA Egide Walschaertsstraat 16 2800 Mechelen | Tel. NL +32 15 47 37 65 Tel. FR +32 15 47 37 66 Fax. +32 15 47 37 99 |
| Danmark | Black & Decker Roskildevej 22 2620 Albertslund | kundeservice.dk@sbdinc.com www.blackanddecker.dk |
| Deutschland www.blackanddecker.de infobfge@sdbinc.com | Stanley Black & Decker Deutschland GmbH Black & Decker Str. 40, D - 65510 Idstein | Tel. 06126 21-0 Fax 06126 21-2980 |
| Ελλάδα www.blackanddecker.gr greece.service@sbdinc.com | Stanley Black & Decker (ΕΛΛΑΣ) Ε.Π.Ε ΓΡΑΦΕΙΑ: Σπύριδωνος 7 & Βουλιαγμένης 166 74 Γλυφάδα - Αθήνα | Τηλ. 210-8981616 Φαξ 210-8983570 |
| SERVICE: | Ημερος Τόπος 2 -Χάνι Αδάμ 193 00 Ασπρόπυργος - Αθήνα | Τηλ. Service 210-8985208 Φαξ 210-5597598 |
| España www.blackanddecker.es respuesta.posventa@sbdinc.com | Stanley Black & Decker Ibérica, S.C.A. Parc de Negocis "Mas Blau" Edificio Muntadas, c/Bergadà, 1, Of. A6 08820 El Prat de Llobregat (Barcelona) | Tel. 934 797 400 Fax 934 797 419 |
| France www.blackanddecker.fr | Black & Decker (France) S.A.S. 5 allée des Hêtres B.P. 30084 69579 Limonest Cédex | Tel. 04 72 20 39 20 Fax 04 72 20 39 00 |
| Helvetia www.blackanddecker.ch service@rofoag.ch | ROFO AG Gewerbezone Seeblick 3213 Kleinbösingen | Tel. 026-6749393 Fax 026-6749394 |
| Italia www.blackanddecker.it service.italia@sbdinc.com | Stanley Black & Decker Italia Via Energypark 6 20871 Vimercate (MB) | Tel. 039-9590200 Fax 039-9590313 Numero verde 800-213935 |
| Nederland www.blackanddecker.nl enduser.nl@sbdinc.com | Stanley Black & Decker Netherlands BV Holtum Noordweg 35, 6121 RE BORN Postbus 83, 6120 AB BORN | Tel. +31 164 283 065 Fax +31 164 283 200 |
| Norge | Black & Decker Postboks 4613, Nydalen 0405 Oslo | kundeservice.no@sbdinc.com www.blackanddecker.no |
| Österreich www.blackanddecker.at service.austria@sbdinc.com | Stanley Black & Decker Austria GmbH Oberlaaerstraße 248, A-1230 Wien | Tel. 01 66116-0 Fax 01 66116-614 |
| Portugal www.blackanddecker.pt resposta.posvenda@sbdinc.com | Black & Decker Limited SARL Quinta da Fonte - Edifício Q55 D. Diniz Rua dos Malhães, 2 e 2A - Piso 2 Esquerdo 2770 - 071 Paço de Arcos | Tel. 214667500 Fax 214667580 |
| Suomi | Black & Decker PL47 00521, Helsinki | asiakaspalvelu.fi@sbdinc.com www.blackanddecker.fi |
| Sverige | Black & Decker AB Box 94, 431 22 Mölndal | kundservice.se@sbdinc.com www.blackanddecker.se |
| Türkiye www.blackanddecker.com.tr | KALE Hırdavat ve Makina A.Ş. Defferdar Mah. Savaklar Cad. No:15 Edimekapı / Eyüp / İstanbul 34050 | Tel. 0212 533 52 55 Fax. 0212 533 10 05 |
| United Kingdom & Republic Of Ireland www.blackanddecker.co.uk emeaservice@sbdinc.com | Black & Decker 210 Bath Road Slough, Berkshire SL1 3YD | Tel. 01753 511234 Fax 01753 512365 |
| Middle East & Africa www.blackanddecker.ae service.mea@sbdinc.com | Black & Decker P.O.Box - 17164 Jebel Ali Free Zone (South), Dubai, UAE | Tel. +971 4 8863030 Fax +971 4 8863333 |