

[www.blackanddecker.eu](http://www.blackanddecker.eu)

**CLM5448PC**  
**CLM5448PCB**

EN

DE

FR

IT

NL

ES

PT

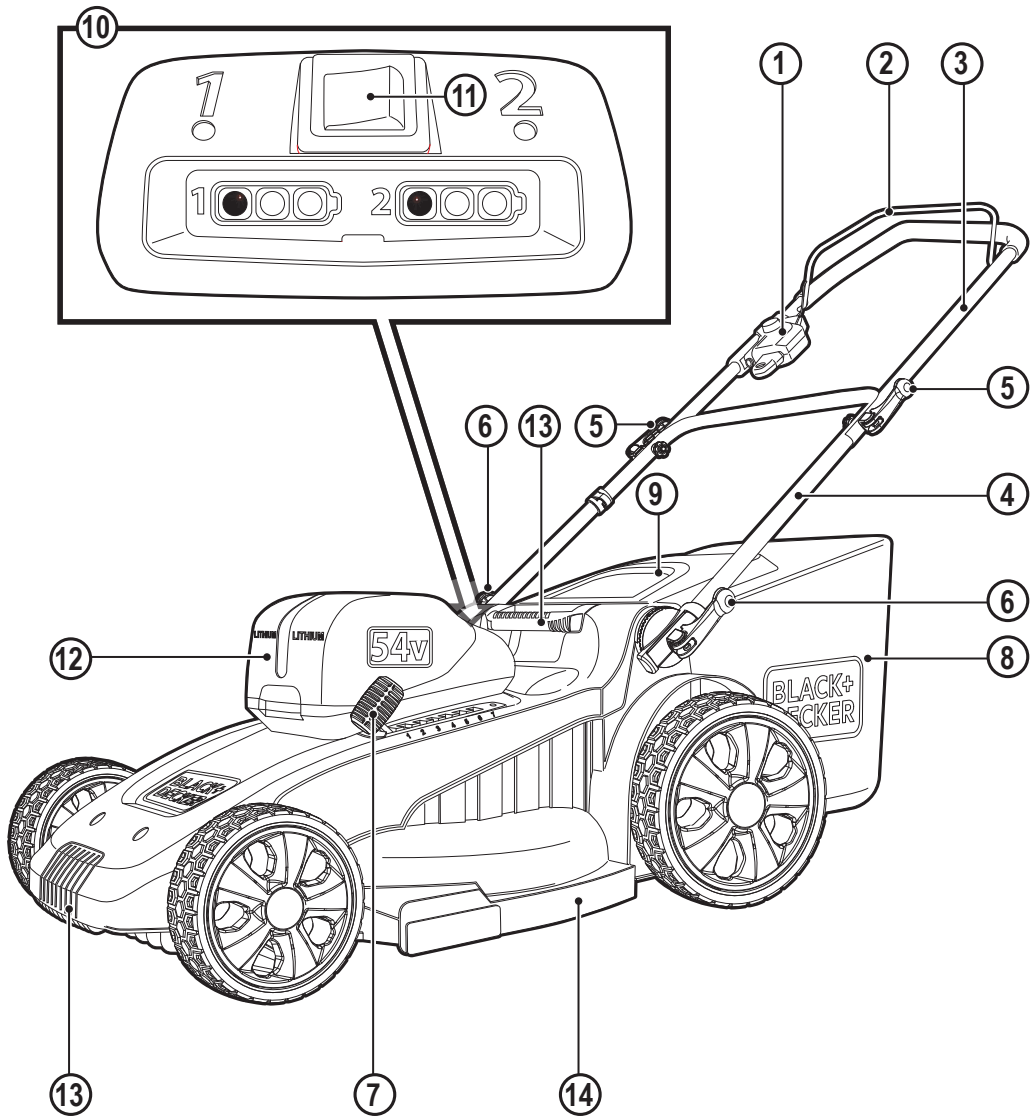
SV

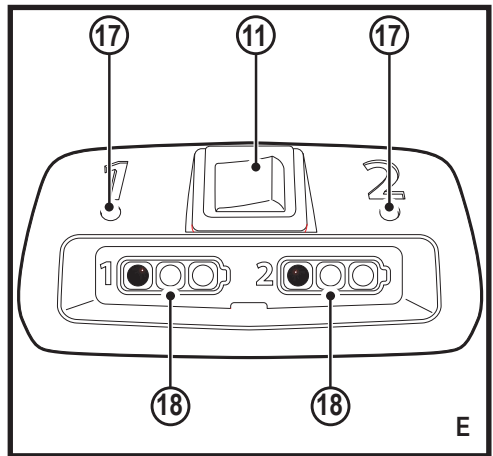
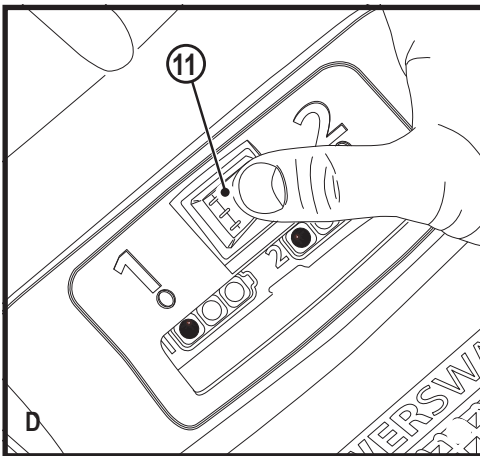
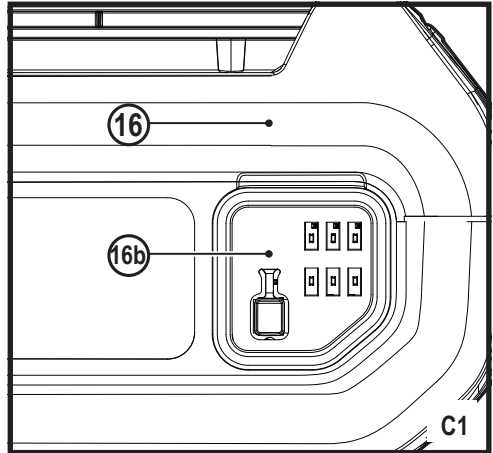
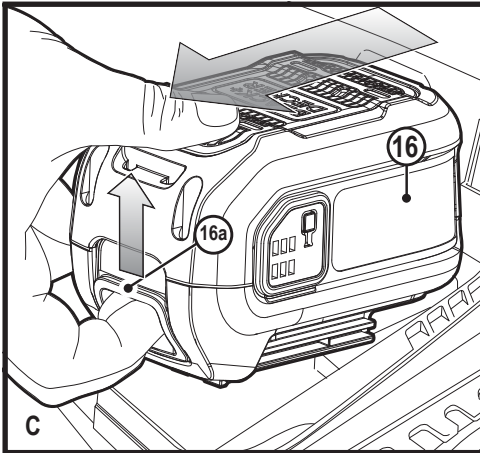
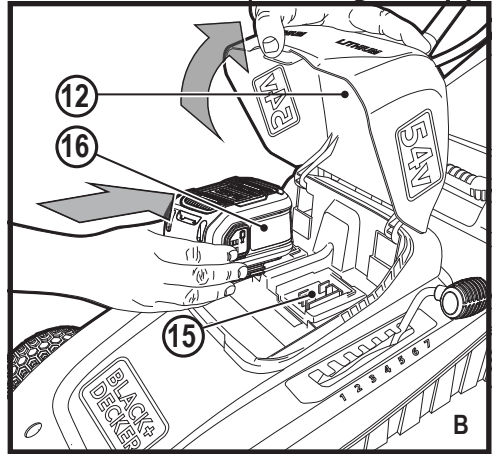
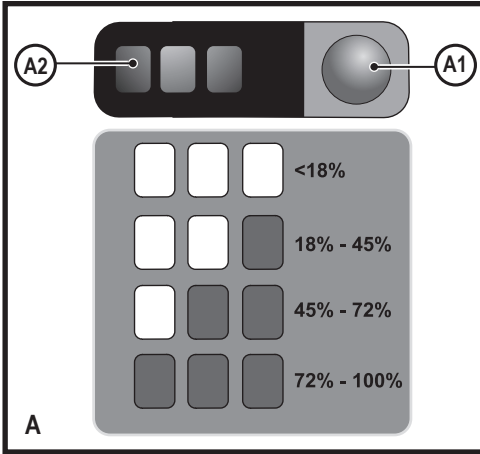
NO

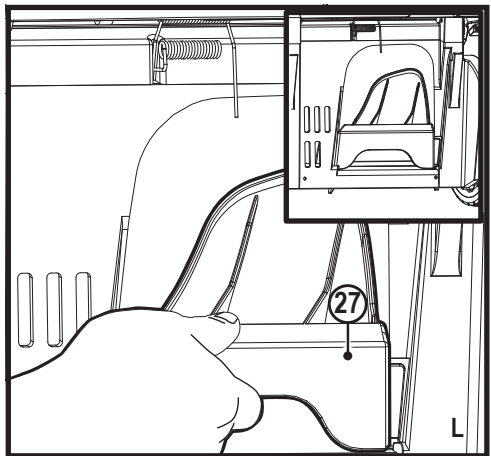
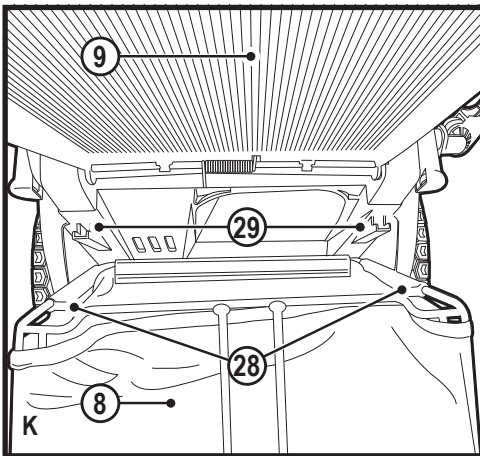
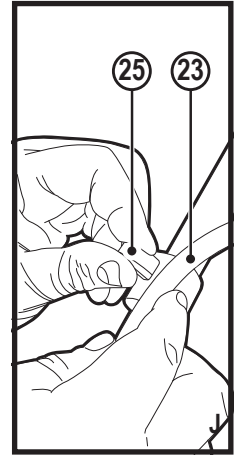
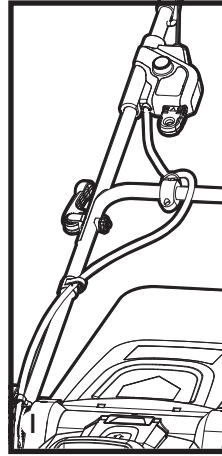
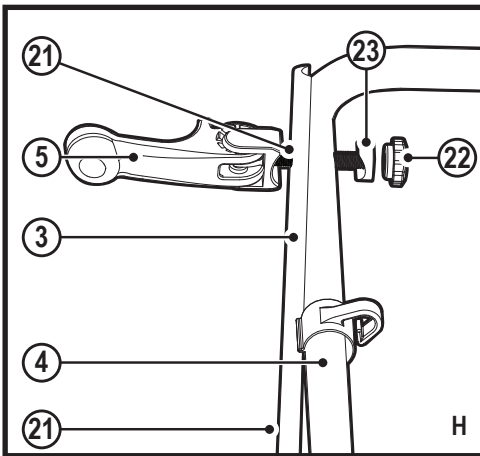
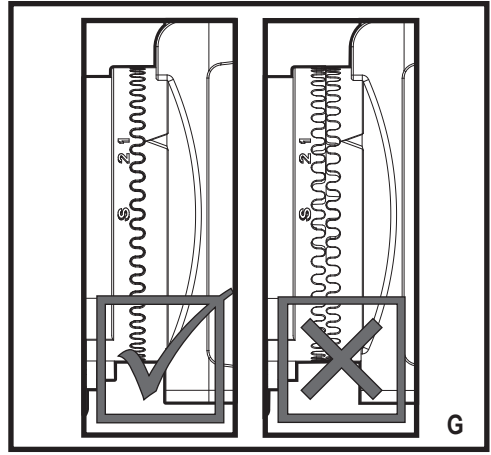
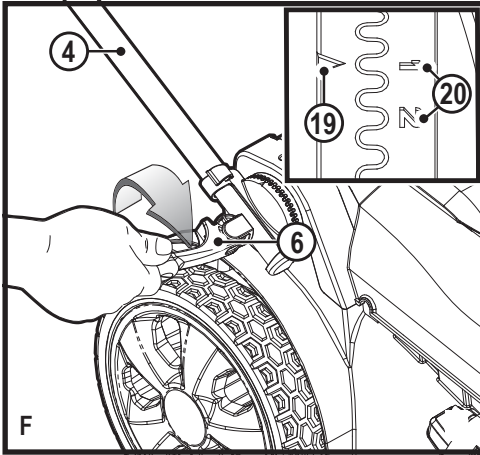
DK

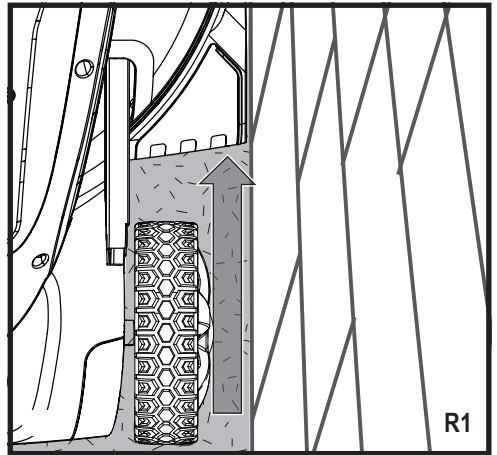
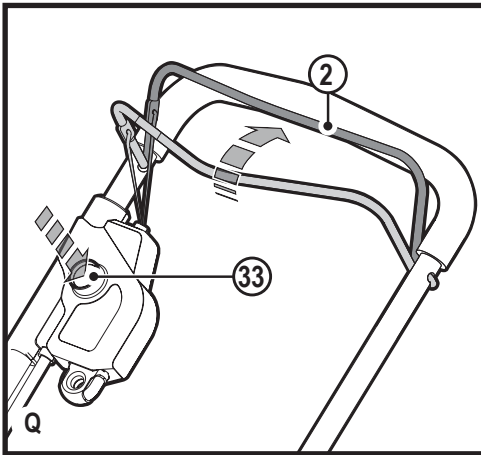
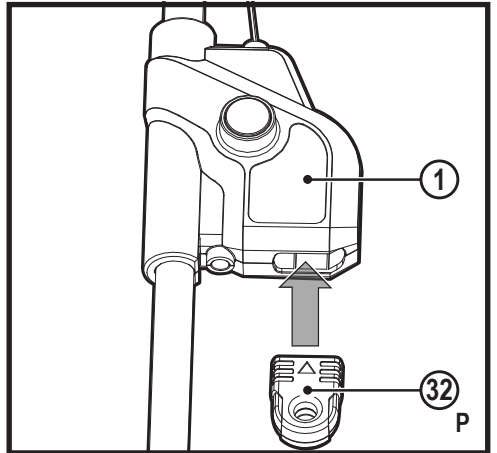
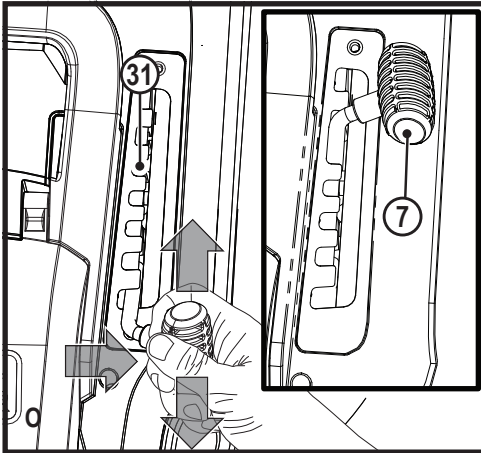
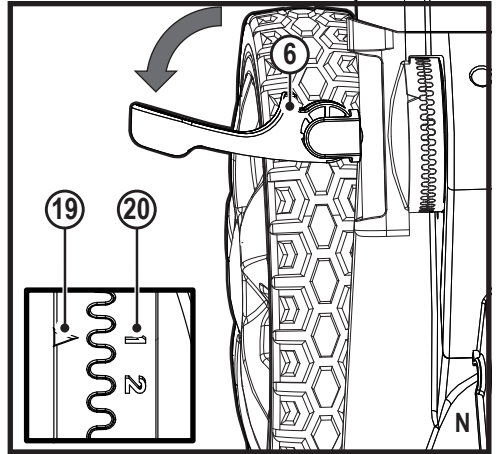
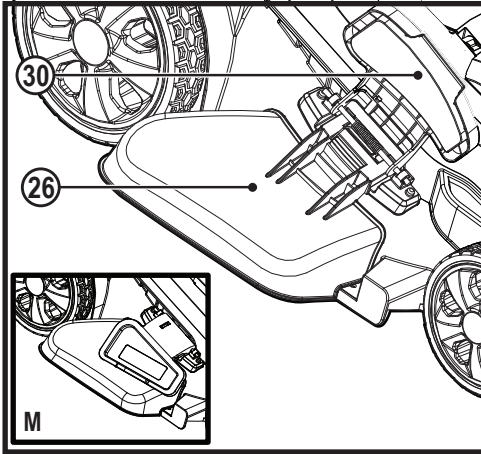
FI

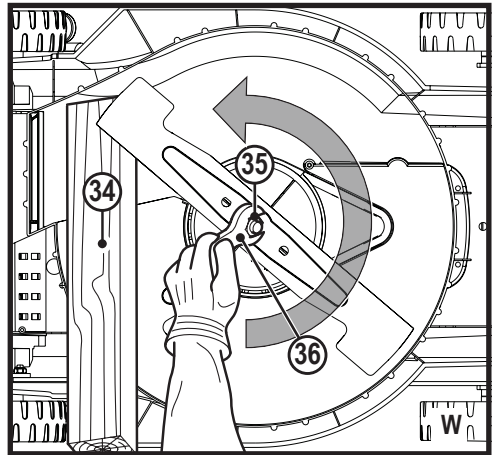
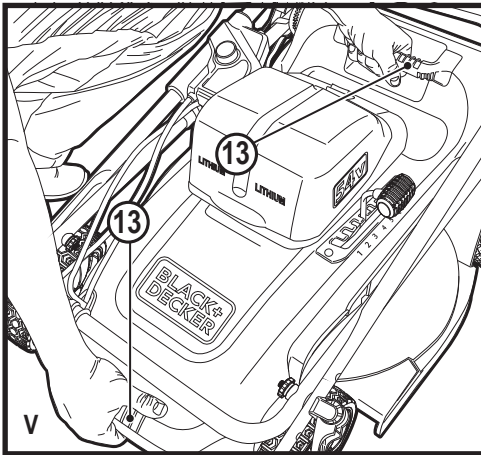
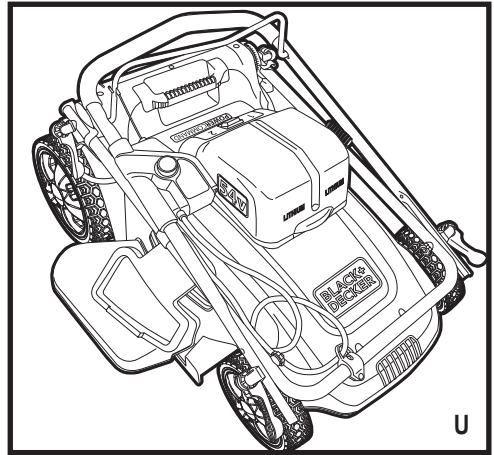
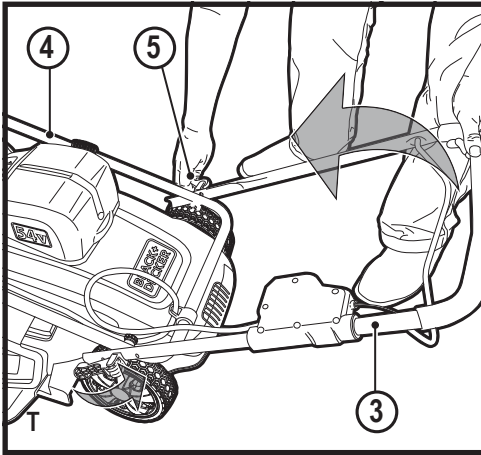
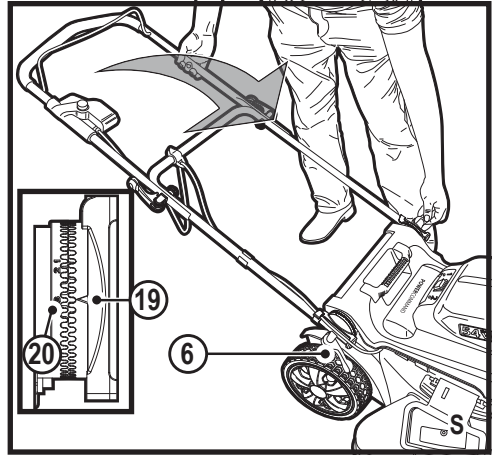
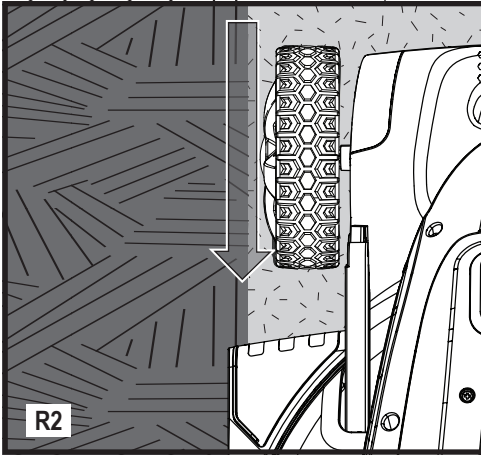
EL

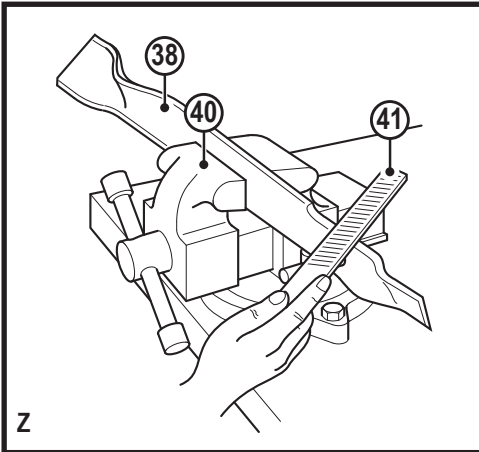
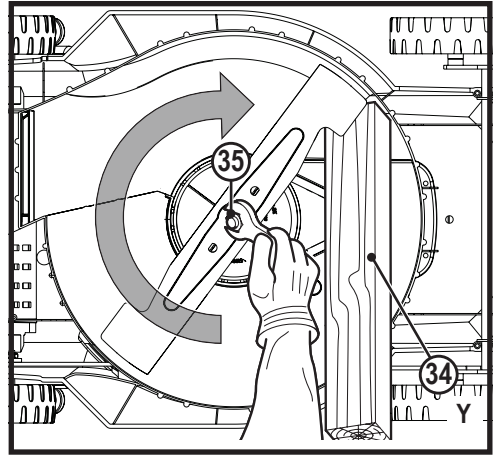
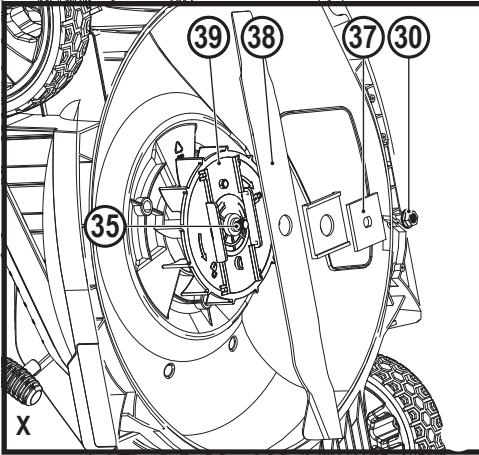












For your own safety and bystanders please read these instructions before operating the machine. Please keep the instructions safe for later use.

- ◆ Read all of this manual carefully before operating the appliance.
- ◆ The intended use is described in this manual. The use of any accessory or attachment or the performance of any operation with this appliance other than those recommended in this instruction manual may present a risk of personal injury.
- ◆ Retain this manual for future reference.

### Intended use

Your BLACK+DECKER CLM5448PC & CLM5448PCB lawn mowers have been designed for mowing grass. These appliances are intended for consumer use only.

## Safety instructions

**Warning!** When using cordless appliances, basic safety precautions, including the following, should always be followed to reduce the risk of fire, electric shock, personal injury and material damage.

**Warning!** When using the machine the safety rules must be followed.

## Using your appliance

Always take care when using the appliance.

- ◆ This appliance is not intended for use by young or infirm persons without supervision.
- ◆ The appliance is not to be used as a toy.
- ◆ Do not allow children or animals to come near the work area or touch the appliance or power supply cord.
- ◆ Close supervision is necessary when the appliance is used near children.

- ◆ Use in a dry location only. Do not allow the appliance to become wet.
- ◆ Do not immerse the appliance in water.
- ◆ Do not open body casing.

There are no user serviceable parts inside.

- ◆ Do not operate the appliance in explosive atmospheres, such as in the presence of flammable liquids, gases or dust.
- ◆ To reduce the risk of damage to plugs and cords never pull the cable to remove the plug from a socket.
- ◆ Before using, always visually inspect to see that the blades, blade bolts and cutter assembly are not worn or damaged.

Replace worn or damaged blades and bolts in sets to preserve balance.

- ◆ In order to avoid a hazard due to inadvertent resetting of the thermal cut-out, this appliance must not be supplied through an external switching device, such as a timer, or connected to a circuit that is regularly switched on and off by the utility.
- ◆ Never operate the machine while people, especially children, or pets are nearby.
- ◆ Keep in mind that the operator or user is responsible for accidents or hazards occurring to other people or their property.

### Before use

- ◆ While operating the machine always wear substantial footwear and long trousers. Do not operate the machine when barefoot or wearing open sandals. Avoid wearing clothing that is loose fitting or that has hanging cords or ties.

- ◆ Thoroughly inspect the area where the machine is to be used and remove all objects which can be thrown by the machine.
- ◆ Before using, always visually inspect to see that the blade, blade bolt and the blade assembly are not worn or damaged. Replace worn or damaged components in sets to preserve balance. Replace damaged or unreadable labels.

### After use

- ◆ When not in use, the appliance should be stored in a dry, well ventilated place out of the reach of children.
- ◆ Children should not have access to stored appliances.
- ◆ When the appliance is stored or transported in a vehicle it should be placed in the boot or restrained to prevent movement following sudden changes in speed or direction.

### Inspection and repairs

- ◆ Before use, check the appliance for damaged or defective parts. Check for breakage of parts, damage to switches and any other conditions that may affect its operation.
- ◆ Do not use the appliance if any part is damaged or defective.
- ◆ Have any damaged or defective parts repaired or replaced by an authorised repair agent.
- ◆ Never attempt to remove or replace any parts other than those specified in this manual.
- ◆ Be careful during adjustment of the mower to prevent entrapment of the fingers between moving blades/parts and fixed parts of the machine.



- ◆ When servicing the blades be aware that, even though the power source is switched off, the blades can still be moved.

## Additional safety instructions for lawn mowers

- ◆ Do not transport the machine while the power source is running
- ◆ Firmly grip handle with both hands when operating the lawn mower.
- ◆ If at any time it is felt necessary to tilt the lawn mower, make sure that both hands remain in the operating position while the lawn mower is tilted. Keep both hands in the operating position until the lawn mower is returned to rest correctly on the ground.
- ◆ Never wear radio or music headphones while operating the lawn mower.
- ◆ Never attempt to make a wheel height adjustment while the motor is running or while the safety key is in the switch housing.
- ◆ If the lawn mower stalls, release bail bar to turn mower off, wait for blade to stop, before attempting to unclog the chute or remove anything from under the deck.
- ◆ Keep hands and feet away from cutting area.
- ◆ Keep blades sharp. Always use protective gloves when handling the lawn mower blade.
- ◆ If you are using the grass collector, check it frequently for wear and deterioration. If excessively worn, replace with a new grass collector for your safety.
- ◆ Use extreme caution when reversing or pulling the lawn mower towards you.
- ◆ Do not put hands or feet near or under the lawn mower.

Keep clear of the discharger opening at all times.

- ◆ Clear the area where the lawn mower is to be used of objects such as rocks, sticks, wire, toys, bones etc., which could be thrown by the blade. Objects struck by the blade can cause severe injury to persons. Stay behind the handle when the motor is running.
- ◆ Do not operate the lawn mower barefooted or while wearing sandals. Always wear substantial footwear.
- ◆ Do not pull lawn mower backward unless absolutely necessary. Always look down and behind before and while moving backward.
- ◆ Never direct discharged material toward anyone. Avoid discharging material against a wall or obstruction. Material may ricochet back toward the operator. Release the bail bar to turn the lawn mower off and stop the blade when crossing gravel surfaces.
- ◆ Do not operate the lawn mower without the entire grass collector, discharge guard, rear guard, or other safety protective devices in place and working. Periodically check all guards and safety protective devices to ensure they are in good working order and will operate properly and perform their intended function. Replace a damaged guard or other safety device before further use.
- ◆ Never leave a running lawn mower unattended.
- ◆ Always release the bail bar to stop the motor and wait until the blade comes to a complete stop before cleaning the lawn mower, removing the grass bag, unclogging the discharge guard, when leaving the lawn mower, or before making any adjustments, repairs or inspections.

- ◆ Operate lawn mower only in daylight or good artificial light when objects in the path of the blade are clearly visible from the operating area of the lawn mower.
  - ◆ Do not operate the lawn mower while under the influence of alcohol or drugs, or when you are tired or ill. Always stay alert, watch what you are doing, and use common sense.
  - ◆ Avoid dangerous environments. Never operate the lawn mower in damp or wet grass, never use lawn mower in the rain. Always be sure of your footing, walk, never run.
  - ◆ If the lawn mower should start to vibrate abnormally, release the bail bar, wait for the blade to stop and then check for the cause immediately. Vibration is generally a warning of trouble, see the troubleshooting guide for advice in the case of abnormal vibration.
  - ◆ Always wear proper eye and respiratory protection when operating the lawn mower.
  - ◆ The use of any accessory or attachment not recommended for use with this lawn mower could be hazardous. Only use accessories approved by BLACK+DECKER.
  - ◆ Never overreach while operating the lawn mower. Always be sure to keep proper footing and balance at all times while operating the lawn mower.
  - ◆ Mow across the face of slopes, never up and down. Exercise extreme caution when changing direction on slopes.
  - ◆ Watch for holes, ruts, bumps, rocks or other hidden objects. Uneven terrain could cause a slip and fall accident. Tall grass can hide obstacles.
  - ◆ Do not mow on wet grass or excessively steep slopes. Poor footing could cause a slip and fall accident.
  - ◆ Do not mow near drop-offs, ditches, or embankments.  
You could lose your footing or balance.
  - ◆ Always allow the mower to cool down before storing.
- Pull the plug from the socket and pull the battery pack from the machine. Make sure that all moving parts have come to a complete stop:
- ◆ Whenever you leave the machine;
  - ◆ Before clearing a blockage;
  - ◆ Before checking, cleaning or working on the appliance.

## Safety of others

- ◆ This appliance is not intended for use by persons (including children) with reduced physical, sensory or mental capabilities, or lack of experience and knowledge, unless they have been given supervision or instruction concerning use of the appliance by a person responsible for their safety.
- ◆ Children must be supervised to ensure that they do not play with the appliance.
- ◆ After striking a foreign object. Inspect the appliance for damage and make repairs as necessary;

## Residual risks.

Additional residual risks may arise when using the tool which may not be included in the enclosed safety warnings. These risks can arise from misuse, prolonged use etc.

Even with the application of the relevant safety regulations and the implementation of safety devices, certain residual risks can not be avoided. These include:

- ◆ Injuries caused by touching any rotating/moving parts.
- ◆ Injuries caused when changing any parts, blades or accessories.
- ◆ Injuries caused by prolonged use of a tool. When using any tool for prolonged periods ensure you take regular breaks.
- ◆ Impairment of hearing.
- ◆ Health hazards caused by breathing dust developed when using your tool (example:- working with wood, especially oak, beech and MDF.)
- ◆ If operating the mower in a damp location is unavoidable, use a residual current device (RCD) with a tripping current of not more than 30 mA. Use of an RCD reduces the risk of electric shock.
- ◆ Never pick up or carry an appliance while the motor is running.



The blades will continue to rotate after the machine is switched off.



Directive 2000/14/EC guaranteed sound power.

## Additional safety instructions for batteries and chargers

### Batteries

- ◆ Never attempt to open for any reason.
- ◆ Do not expose the battery to water.
- ◆ Do not expose the battery to heat.
- ◆ Do not store in locations where the temperature may exceed 40 °C.
- ◆ Charge only at ambient temperatures between 10 °C and 40 °C.
- ◆ Charge only using the charger provided with the appliance/tool. Using the wrong charger could result in an electric shock or overheating of the battery.
- ◆ When disposing of batteries, follow the instructions given in the section "Protecting the environment".
- ◆ Do not damage/deform the battery pack either by puncture or impact, as this may create a risk of injury and fire.
- ◆ Do not charge damaged batteries.
- ◆ Under extreme conditions, battery leakage may occur. When you notice liquid on the batteries carefully wipe the liquid off using a cloth. Avoid skin contact.
- ◆ In case of skin or eye contact, follow the instructions below.

**Warning!** The battery fluid may cause personal injury or damage to property. In case of skin contact, immediately rinse with water.

### Warning symbols

The following warning symbols are found on the appliance along with the date code:



**Warning!** Read the manual prior to operation.



**Beware of sharp blades.**

Blades continue to rotate after the motor is switched off – Remove disabling device before maintenance or if cord is damaged.



Beware of flying objects. Keep bystanders away from the cutting area.



Wear eye protection

If redness, pain or irritation occurs seek medical attention. In case of eye contact, rinse immediately with clean water and seek medical attention.



Do not attempt to charge damaged batteries

## Charger

Your charger has been designed for a specific voltage.

Always check that the mains voltage corresponds to the voltage on the rating plate.

**Warning!** Never attempt to replace the charger unit with a regular mains plug.

- ◆ Use your BLACK+DECKER charger only to charge the battery in the appliance/tool with which it was supplied. Other batteries could burst, causing personal injury and damage.
- ◆ Never attempt to charge non-rechargeable batteries.
- ◆ If the supply cord is damaged, it must be replaced by the manufacturer or an authorised BLACK+DECKER Service Centre in order to avoid a hazard.
- ◆ Do not expose the charger to water.
- ◆ Do not open the charger.
- ◆ Do not probe the charger.
- ◆ The appliance/tool/battery must be placed in a well ventilated area when charging.



The charger is intended for indoor use only.



Read the instruction manual before use.

**Important:** Only the following chargers should be used to charge the 54v battery BL1554 & BL2554:

90589867, 90621477, 90590287-01, 90590289-01, 90602042-01, 90590287-02, 90590289-02, 90599854-02, 90599854-06, 90599853-05, 90634971, 90634972, 90634973, 90642266, 90642264, 90642265, BDC2A

## Electrical safety



Your charger is double insulated; therefore no earth wire is required.

Always check that the mains voltage corresponds to the voltage on the rating plate. Never attempt to replace the charger unit with a regular mains plug.

- ◆ If the supply cord is damaged, it must be replaced by the manufacturer or an authorised BLACK+DECKER Service Centre in order to avoid a hazard.

## Features

This appliance includes some or all of the following features.

1. Switch box
2. Bail handle
3. Upper-handle
4. Lower-handle
5. Upper-handle attachment levers (2)
6. Lower-handle attachment levers (2)
7. Cut height adjust lever
8. Grass collection bag
9. Rear door cover
10. Dashboard)
11. POWERCOMMAND Battery Switch
12. Battery port cover
13. Carrying handles
14. EdgeMax™

## Charging procedure

BLACK+DECKER chargers are designed to charge BLACK+DECKER battery packs.

- ◆ Plug the charger into an appropriate outlet before inserting the battery pack.
- ◆ Insert the battery pack into the charger.



The green LED will flash indicating that the battery is being charged



The completion of charge is indicated by the green LED remaining on continuously. The pack is fully charged and may be used at this time or left on the charger

**Warning!** Recharge discharged batteries as soon as possible after use or battery life may be greatly diminished.

### Charger diagnostics

This charger is designed to detect certain problems that can arise with the battery packs or the power source. Problems are indicated by one LED flashing in different patterns.

### Bad battery



The charger can detect a weak or damaged battery.

The red LED flashes in the pattern indicated on the label. If you see this bad battery blink pattern, do not continue to charge the battery.

Return it to a service center or a collection site for recycling

### Hot/cold pack delay



When the charger detects a battery that is excessively hot or excessively cold, it automatically starts a Hot/Cold Pack Delay, suspending charging until the battery has normalized. After this happens, the charger automatically switches to the Pack Charging mode. This feature ensures maximum battery life. The red LED flashes in the pattern indicated on the label when the hot / cold pack delay is detected

### Important charging notes

- ◆ Longest life and best performance can be obtained if the battery pack is charged when the air temperature is between 60°F and 80°F (16° - 27°C).
- ◆ DO NOT charge the battery pack in an air temperature below +40°F (+4.5°C), or above +105°F (+40.5°C). This is important and will prevent serious damage to the battery pack.
- ◆ The charger and battery pack may become warm to touch while charging. This is a normal condition, and does not indicate a problem.  
To facilitate the cooling of the battery pack after use, avoid placing the charger or battery pack in a warm environment such as in a metal shed, or an uninsulated trailer.
- ◆ If the battery pack does not charge properly:
  - ◆ Check current at receptacle by plugging in a lamp or other appliance
  - ◆ Check to see if receptacle is connected to a light switch which turns power off when you turn out the lights.
  - ◆ Move charger and battery pack to a location where the surrounding air temperature is approximately 60°F - 80°F (16° - 27°C).

- ◆ If charging problems persist, take the tool, battery pack and charger to your local service center.
- ◆ The battery pack should be recharged when it fails to produce sufficient power on jobs which were easily done previously. DO NOT CONTINUE to use under these conditions. Follow the charging procedure. You may also charge a partially used pack whenever you desire with no adverse effect on the battery pack.
- ◆ Foreign materials of a conductive nature such as, but not limited to, steel wool, aluminium foil, or any buildup of metallic particles should be kept away from charger cavities. Always unplug the charger from the power supply when there is no battery pack in the cavity. Unplug charger before attempting to clean.
- ◆ Do not freeze or immerse charger in water or any other liquid.

**Warning!** Do not allow any liquid to get inside charger. **NEVER ATTEMPT TO OPEN THE BATTERY PACK FOR ANY REASON. IF THE PLASTIC HOUSING OF THE BATTERY PACK BREAKS OR CRACKS, RETURN TO A SERVICE CENTER FOR RECYCLING.**

### Battery state of charge indicator

The battery is equipped with a state of charge indicator. This can be used to display the current level of charge in the battery while in the mower and during charging. It does not indicate tool functionality and is subject to variation based on product components, temperature and end-user application.

### Checking state of charge:

- ◆ Press the state of charge indicator button (A1).
- ◆ The three LEDs (A2) will illuminate indicating the percent of charge in the battery. See chart in figure A.
- ◆ If LED light does not illuminate, charge battery.

### Installing and removing the battery packs

**Warning!** Make certain the Safety key is removed to prevent Actuation before removing or Installing battery.

### To install battery packs:

- ◆ Lift the battery port cover (12) up to expose the battery port (15).
- ◆ Slide the battery (16) into the battery port until it is fully seated and an audible click is heard (figure B).  
Make sure battery pack is fully seated and fully latched into position. Repeat process for the second battery port.
- ◆ Close the battery port cover. Ensure the cover is fully latched before starting mower.

### To remove battery packs:

- ◆ Open the battery port cover (12) as described above.
- ◆ Depress the battery release button (16a) on the battery pack and pull battery pack out of tool as shown in figure C.

### POWERCOMMAND battery pack selection

**Warning!** Make certain the Safety key is removed to prevent Actuation before selecting active battery. The mower is equipped with a POWERCOMMAND battery selection button (11). This is used to extend runtime. Press the battery selection button (figure D) on the left or right.

- ◆ The side marked "1" activates the left side battery port.

- ◆ The side marked “2” activates the right side battery port.

**Note:** The mower can be operated with a single battery pack if the switch is in the correct position.

### Active battery, state of charge indicators

**Note:** State of charge is only indicated when a battery pack is inserted, or when the mower is turned on, or when a single battery is present and the switch is toggled to connect it to run the mower.

This mower is equipped with a state of charge indicator located on the base of the dashboard (10). This is used to display the active battery port and the current level of charge in the active battery.

When a battery pack is installed into the battery ports, the three charge level LEDs will illuminate for 3 seconds displaying the current level of charge in the battery and then turn off. While the mower is in use the current level of charge for the selected, active battery will be displayed.

- ◆ When the mower is first activated, all of the LED indicator lights on the dashboard (10) will temporarily illuminate.
- ◆ The dashboard LED lights on the inactive battery side will turn off.
- ◆ The dashboard LEDs on the active battery side LED (17) will remain lit and the three charge level indicator LEDs (18) will indicate the percent of charge in the battery. (See chart in figure A.)
- ◆ If no LEDs illuminate for the active battery, toggle the battery selection button (11) to the inactive battery. If neither battery LEDs illuminate, charge the battery.

**Note:** The safety key has to be inserted for all of the LEDs and switch functions to occur as described.

### DUALVOLT 54V Battery Pack (Fig C1.)

The Dualvolt 54V battery pack can be used on 54V & 18V Black+Decker Cordless tools. The battery can recognise the tool it is inserted into and will run at the relevant power, providing longer runtime in 18V tools. There is a State of charge button (16b) which will indicate the level charge at both 54V & 18V.

### Assembly

**Warning!** Before assembly, make sure the bail handle is released and the safety key is removed.

### Attaching lower handle

- ◆ Lift lower handle (4) into place making sure the arrow (19) on the base of the mower lines up with 1, 2, or S on the base of the handle (20) (inset of Figure F).

**Note!** Ensure each side of the lower handle is set on the same number.

The arrow must be lined up with 1 or 2 for operation.

- ◆ Close the handle height adjust levers (6) as shown in Figure F. As you close each, make sure the teeth are engaged as shown in Figure G.
- ◆ If the connection between the handle and lever is too tight or loose, open the lever and adjust the depth of the lever by turning the lever. Close it again until the teeth are fully clasped and each lever stays securely closed.

### Attaching upper handle (fig. H)

The upper handle has three different mounting position holes (21) to adjust length of the handle from deck.

The first set of holes near the bottom of the upper handle tube allows for maximum handle length. Using the middle and top mounting positions will shorten handle length

- ◆ Remove the upper-handle attachment levers (5), nuts (22), and washers (23) from the handle.
- ◆ Line up the holes on the bottom of the upper handle (3) with the holes on the top of the lower handle (4).

**Note:** Make sure the cord is located on the front of both handles as shown in Figure I. If it is not it may result in the cord tangling and the inability to easily store the mower.

- ◆ From the outside of the upper handle (3), slide the lever bolt through the holes.
- ◆ Slide the washer over the bolt of the lever and loosely assemble the entire assembly with the nut.
- ◆ Rotate the upper handle into its operating position.
- ◆ Close the lever. If it is too tight or too loose, open the lever and the nut to adjust the clamping. Check the levers by closing them. They should be tight enough so the handles are held firmly, but loose enough so the levers can be fully closed. Adjust by opening the lever and turning the nut until the handles are secured.

### Securing the motor cable (fig. I)

**Warning:** Attach cable so that it does not become stretched or pinched in the joints of the handles during use or folding. This can cause damage to the cord.

The motor cable has to be fixed to the handles using the cable restraints that are already attached to the handle.

To clip the cable to the handle:

- ◆ Place the handles in operating position, see “Attaching lower handle” section.
- ◆ Run the cable up the front of the lower and upper handles.
- ◆ Pull back the cable restraint.
- ◆ Slide the motor cable under the clip and ensure it is fully held in place by the restraint.

### Bagging

**Warning:** remove key and battery packs before removing side discharge attachment and Mulching insert, and when opening rear door cover and installing bag.

- ◆ Ensure the side discharge attachment (26) (Figure M) and the mulching insert (27) (Figure L) are removed from the mower before bagging.
- ◆ Lift the rear door cover (9) and place the grass collection bag (8) onto the mower so the bag hooks (28) rest on the lugs (29) as shown in Figure K. Then lower the rear door cover.

### Mulching

**Warning!** Remove key and Battery packs before removing Side discharge attachment and Collection bag, and when installing mulching insert.

- ◆ Ensure the side discharge attachment (26) and the collection bag (8) are not attached.
- ◆ Lift the rear door cover (9) and slide the mulching insert (27) fully into the mower as shown in Figure L.
- ◆ Ensure the rear door cover fully closes before turning mower on.

## Side discharge

**Warning!** Remove key and Battery packs before removing Collection bag, and when Installing mulching insert and Side discharge attachment.

- ◆ Ensure the collection bag (8) is removed.
- ◆ Lift the rear flap (9) and slide the mulching insert (27) fully into the mower as shown in Figure L.
- ◆ Lift the side flap (30) and hook side discharge attachment (26) onto the mower as shown in Figure M.
- ◆ Release the side flap and ensure the attachment holds in place before turning mower on as shown in the insert of Figure M.

## Operation

Read this instruction manual before operating your mower. See "Features" to familiarize yourself with the location of various controls and adjustments. Save this manual for future reference.

**Warning!** Let the mower work at its own pace. Do not overload.

**Warning!** Sharp moving blade. Do not operate the mower in side discharge or mulching mode if the rear door is not closed under spring tension as serious injury could result. Take your mower to the nearest service center for repair.

## Adjusting handle height (fig. N)

- ◆ Open both lower-handle attachment levers (6).
- ◆ Adjust the handle so the arrow (19) on the base of the mower lines up with 1, or 2 on the base of the handle (20). Ensure the handle is set to the same number on both sides of the mower.
- ◆ Close both levers and ensure the handle is firmly latched and the teeth are engaged as shown in inset.

## Adjusting mower height (fig. O)

The height of cut is adjusted by the central cut height adjust lever, there are 7 positions to choose from.

**Note:** If you are not sure which height to cut, begin mowing with the height adjustment lever (7) in position 7 and adjust the height down as needed, as shown in figure O.

To set the height of cut:

- ◆ Pull the mower height adjustment lever (7) out of the locking notch (31).
- ◆ Move the lever towards the rear of the appliance to raise the height of cut.
- ◆ Move the lever towards the front of the appliance to lower the height of cut.
- ◆ Push the height adjustment lever into one of the seven locking notches.

## Safety key

In order to prevent accidental start-up or unauthorized use of your Cordless Mower, a removable safety key (32) has been incorporated into the design of your mower. The mower will be completely disabled when the safety key has been removed from the mower.

**Note:** The safety key has a Hole in the center to allow for storage on a nail, out of The reach of children. Do not tether safety key to mower.

**Warning!** rotating blades can cause serious injury.

To prevent serious injury, remove safety key when unattended, or when charging, cleaning, servicing, transporting, lifting, or storing mower.

## Starting mower

**Warning!** Sharp moving blade. Never attempt to override the operation of this switch box as serious injury could result.

**Note:** Mower is operational when battery and safety key are installed.

- ◆ Insert safety key (32) into the switch housing (1) until it is fully seated inside housing as shown in Figure P. The mower is now operational
- ◆ Your mower is equipped with a special on-off switch box. To operate the mower, push the button (33) on the switch box (1), then pull the bail handle (2) to the handlebar as shown in Figure Q. Once the mower starts you can release the button.

- ◆ To turn the mower off, just release the bail handle.

**Warning!** Never attempt to lock a switch or bail handle (2) in the on position.

**Note:** Once the bail handle has returned to the original position it will activate the "Automatic Braking Mechanism". The motor is electrically braked and the mower blade will stop rotating in 3 seconds or less.

## Mower overload

To prevent damage due to overload conditions, do not try to remove too much grass at one time. Slow down your cutting pace, or raise the cut height.

## EdgeMax™

EdgeMax™ (14) allows you to cut grass right up to the edge of a wall or fence (fig. R1).

EdgeMax™ allows you to accurately cut grass right up to the edge of your lawn (fig. R2).

- ◆ With the lawn mower parallel to the edge of your lawn, push the lawn mower along the edge of the lawn, ensure that the EdgeMax™ is slightly over the edge of your lawn (fig. R2).

**Note:** When the side discharge attachment is attached EdgeMax™ can only be used on the left side of the mower.

## Storage

**Warning!** Rotating blade can cause serious injury.

Release bail handle (2) to turn mower off, remove safety key, and remove battery before lifting, transporting, or storing the mower. Store in a dry place.

**Warning!** To avoid being pinched, keep fingers away from area between handles when folding down handles.

**Warning!** Make sure cord does not become stretched or pinched in the joints of the handles during folding. This can cause damage to the cord.

The handle of the mower can be easily folded down for quick and convenient storage.

- ◆ Holding onto the handle, open, but do not remove, the lower-handle attachment levers (6) and fold the handle to the front of the mower as shown in Figure S.
- ◆ Adjust the handle so the arrow (19) on the base of the mower lines up with "S" (20). Ensure the handle is set the same on both sides of the mower.
- ◆ Close both levers and ensure the handle is firmly latched.

- ◆ Open, but do not remove, the upperhandle attachment levers (5) and fold the upper handle (3) back over the lower handle (4) as shown in Figure T.
- ◆ The mower should be compacted down as shown in Figure U.

### Carrying the mower

- ◆ The mower can be carried using the convenient carry handles (13) as shown in figure V. **DO NOT** attempt to lift the mower by grasping the upper handle (3) or lower handle (4).

### Mowing tips

**Warning!** Always inspect area where mower is to be used and remove all stones, sticks, wire, bones, and other debris which might be thrown by the rotating blade.

**Warning!** Mow across the face of slopes, never up-and-down. Exercise extreme caution when changing direction on slopes. Do not mow excessively steep slopes. Always maintain good footing.

- ◆ Release bail handle to turn mower "Off" when crossing any gravel area (stones can be thrown by the blade).
- ◆ Set mower at highest cutting height when mowing in rough ground or in tall weeds. Removing too much grass at one time can cause the motor to be overloaded and to stop. Refer to troubleshooting guide.
- ◆ If a grass collection bag (8) is used during the fast growing season, the grass may tend to clog up at the discharge opening. Release bail handle to turn mower off and remove the safety key. Remove the catcher and shake the grass down to the back end of the bag. Also clean out any grass or debris which may be packed around the discharge opening. Replace the grass catcher.
- ◆ If mower should start to vibrate abnormally, release bail handle to turn mower off and remove safety key. Check immediately for cause. Vibration is a warning of trouble. Do not operate mower until a service check has been made. Refer to troubleshooting guide in manual.
- ◆ Always release bail handle to turn mower off when leaving it unattended even for a short period of time.

### Tips for optimum performance

- ◆ Slow down in areas where the grass is especially long or thick.
- ◆ Avoid mowing when the grass is wet from rain or dew-soaked.
- ◆ Cut your lawn frequently, especially during high growth periods.

**Note:** It is recommended that your mower be recharged after use to prolong the battery life. Frequent charging will not harm your battery, and will ensure that the battery is fully charged and ready for its next use. Storing battery not fully charged will shorten battery life.

### Removing and installing blade

**Warning!** When reassembling the blade system, ensure each part is reinstalled correctly, as described below. Improper assembly of the blade or other parts of the blade system may cause serious injury.

**Warning!** Release bail handle to turn mower off, wait for the blade to stop, and unplug mower.

- ◆ Cut a piece of 2x4 wood (34) (about 610 mm) to keep blade from turning while removing bolt (35).
- ◆ Wear gloves and proper eye protection.
- ◆ Turn the mower on its side. Be careful of sharp edges of blade. Position wood and unscrew bolt with 13mm wrench (36) as shown in figure W.
- ◆ Note the orientation of each part as you remove it. Remove bolt (35) and washer (37). Pull off blade (38) as shown in Figure X. The fan (39) should not be removed. Examine all pieces for damage and replace if necessary.
- ◆ The blade can only be attached to the fan in one direction. To reassemble, line up the D-shaped hole of the blade with the D-shaped post of the fan, ensuring the writing on the blade faces out away from the mower.
- ◆ To tighten, position the piece of wood as shown in Figure Y to keep the blade from turning. Slide the bolt through the washer and tighten the bolt clockwise into place with a 13mm wrench (36) as shown in Figure Y.

### Blade sharpening

Keep blade sharp for best mower performance. A dull blade does not cut grass cleanly. Use proper eye protection while removing, sharpening, and installing blade. Ensure that safety key and battery pack is removed.

Sharpening the blade twice during a mowing season is usually sufficient under normal circumstances.

Sand causes the blade to dull quickly. If your lawn has sandy soil, more frequent sharpening may be required.

**Note:** Replace bent or damaged blade immediately.

When sharpening the blade:

- ◆ Make sure blade remains balanced.
- ◆ Sharpen blade at the original cutting angle.
- ◆ Sharpen cutting edges on both ends of blade, removing equal amounts of material from both ends.

### To sharpen blade in a vice (fig. V)

- ◆ Be sure the bail handle is released, the blade has stopped and the mower is unplugged before removing the blade.
- ◆ Remove blade from mower. See instructions for removing and installing blade.
- ◆ Secure blade (38) in a vice (40).
- ◆ Wear proper eye protection and gloves and be careful not to cut yourself. Carefully file the cutting edges of the blade with a fine tooth file (41) or sharpening stone, maintaining the angle of the original cutting edge. Check balance of blade. See instructions for blade balancing.
- ◆ Replace blade on mower and tighten securely.

### Blade balancing

Check balance of the blade (38) by placing centre hole in the blade over a nail or round shank screwdriver, clamped horizontally in a vice. If either end of the blade rotates downward, file along the sharp edge of that dropping end. Blade is properly balanced when neither end drops.

### Lubrication

No lubrication is necessary. Do not oil the wheels. They have plastic bearing surfaces which require no lubrication.



## Cleaning

Release bail handle (2) to turn mower off, let the blade come to a stop and then remove safety key. Use only mild soap and a damp cloth to clean the mower. Clean out any clippings which may have accumulated on the underside of the deck. After several uses, check all exposed fasteners for tightness.

## Preventing corrosion

Fertilizers and other garden chemicals contain agents which greatly accelerate the corrosion of metals. If you mow in areas where fertilizers or chemicals have been used, the mower should be cleaned immediately afterward as follows: Release bail handle (2) to turn mower off and unplug mower. Wipe all exposed parts with a damp cloth.

## Maintenance

Your BLACK+DECKER corded/cordless appliance/tool has been designed to operate over a long period of time with a minimum of maintenance. Continuous satisfactory operation depends upon proper tool/appliance care and regular cleaning.

**Warning!** Before performing any maintenance on corded/cordless power tools:

- ◆ Switch off and unplug the appliance/tool.
- ◆ Or run the battery down completely if it is integral and then switch off.
- ◆ Unplug the charger before cleaning it. Your charger does not require any maintenance apart from regular cleaning.
- ◆ Regularly clean the ventilation slots in your tool/appliance and charger using a soft brush or dry cloth.
- ◆ Regularly clean the motor housing using a damp cloth. Do not use any abrasive or solvent-based cleaner.
- ◆ Regularly use a blunt scraper to remove grass and dirt from the underneath of the guard.

## Troubleshooting

If your appliance seems not to operate properly, follow the instructions below. If this does not solve the problem, please contact your local BLACK+DECKER repair agent.

**Warning!** Before proceeding, release the bail bar to turn mower off and wait for the blade to stop .

Problem	Possible solution
<b>Mower doesn't run when bail handle is activated.</b>	Check to make sure mower is properly plugged in and that the button on switch box is being completely depressed before pulling the bail handle.
	Release bail handle to turn mower off. Remove safety key and battery pack, turn mower over and check that blade is free to turn.
	Check that the battery cavity is free of debris and is connected properly.
	Has battery been fully charged? Press state of charge button.

Problem	Possible solution
<b>Motor stops while mowing.</b>	Release bail handle to turn mower off. Remove safety key and battery pack Turn mower over and check that blade is free to turn.
	Raise cutting height of wheels to highest position and start mower.
	Check that the battery cavity is free of debris and is connected properly
	Has battery been fully charged? Press state of charge button
<b>Mower runs but cutting performance is unsatisfactory,</b>	Avoid overloading the mower. Slow down the cutting pace, or raise the cut height.
	Release bail handle to turn mower off. Unplug mower. Turn mower over and check: <ul style="list-style-type: none"> <li>◆ Blade for sharpness - Keep blade sharp.</li> <li>◆ Deck and discharge chute for clogging.</li> </ul>
<b>Mower is too hard to push.</b>	Wheel height adjustment may be set too low for grass condition. Raise cutting height.
<b>Mower is abnormally noisy and vibrates.</b>	Release bail handle to turn mower off. Unplug mower. Turn mower on side and check blade to ensure it has not been bent or damaged. If blade is damaged, replace with a BLACK+DECKER replacement blade. If the underside of the deck is damaged, return mower to a BLACK+DECKER Authorized service center.
	If there is no visible damage to the blade and the mower still vibrates: <ul style="list-style-type: none"> <li>◆ Release bail handle to turn mower off.</li> <li>◆ Unplug mower.</li> <li>◆ Disassemble entire blade assembly as described in the "Removing and installing blade" section.</li> <li>◆ Remove any debris and clean each piece.</li> <li>◆ Replace each piece as described in the "Removing and installing blade" section.</li> </ul>
	If mower still vibrates, return the mower to an authorized BLACK+DECKER authorized service center.
<b>Battery charger LEDs not on.</b>	Check plug connection.
	Replace charger.
<b>Mower not picking up clippings with bag.</b>	Chute clogged. Release bail handle to turn mower off. Unplug mower. Clear chute of grass clippings.
	Raise cutting height of wheels to shorten length of the cut.
	Bag full. Empty bag more often.

## Protecting the environment



Separate collection. Products and batteries marked with this symbol must not be disposed of with normal household waste.

Products and batteries contain materials that can be recovered or recycled, reducing demand for raw materials. Please recycle electrical products and batteries according to local provisions. Further information is available at [www.2helpU.com](http://www.2helpU.com)

## Technical data

		CLM5448PC	CLM5448PCB
Voltage	Vdc	54V	54V
No-Load Speed	min <sup>-1</sup>	0 - 2900	0 - 2900
Weight	kg	26.62	24.15
Blade length	mm	48	48
Battery		BL2554	Bare Unit. (No Battery supplied)
Voltage	V <sub>ac</sub>	54/18v DUALVOLT	
Capacity	Ah	2.5	
Type		Li-Ion	
Charger		BDC2A	Bare Unit. (No Charger supplied)
Input Voltage	V <sub>ac</sub>	220 - 240	
Output Current	mA	2000mA	
Approx. charge time	h	3.75	

Hand/arm weighted vibration value:  
= 4.4m/s<sup>2</sup>, uncertainty (K) = 1.5m/s<sup>2</sup>.

L<sub>wa</sub> (sound pressure) 83 dB(A)  
uncertainty (K) = 2.5 dB(A)

**EC declaration of conformity**  
**MACHINERY DIRECTIVE**  
**OUTDOOR NOISE DIRECTIVE**



CLM5448PC, CLM5448PCB lawn mower

Black & Decker declares that these products described under "technical data" are in compliance with:  
2006/42/EC, EN 60335-1:2012 + A11:2014,  
EN 60335-2-77:2010

2000/14/EC, Lawn Mower, L < 50cm, Annex VI,  
DEKRA Certification B.V., Utrechtseweg 310, ED Arnhem  
Netherlands Notified Body ID No.: 0344  
Level of acoustic power according to 2000/14/EC (Article 12,  
Annex III, L < 50cm):

L<sub>wa</sub> (measured sound power) 89.5 dB(A)  
uncertainty (K) = 1.2 dB(A)

L<sub>wa</sub> (guaranteed sound power) 96 dB(A)

These products also comply with directive 2014/30/EU,  
2011/65/EU. For more information, please contact Black &  
Decker at the following address or refer to the back of the  
manual.

The undersigned is responsible for compilation of the technical file and makes this declaration on behalf of Black & Decker.

R. Laverick  
Director of Engineering  
Black & Decker Europe, 210 Bath Road, Slough,  
Berkshire, SL1 3YD  
United Kingdom  
26/08/2016

### Guarantee

Black & Decker is confident of the quality of its products and offers consumers a 24 month guarantee from the date of purchase. This guarantee is in addition to and in no way prejudices your statutory rights. The guarantee is valid within the territories of the Member States of the European Union and the European Free Trade Area.

To claim on the guarantee, the claim must be in accordance with Black&Decker Terms and Conditions and you will need to submit proof of purchase to the seller or an authorised repair agent. Terms and conditions of the Black&Decker 2 year guarantee and the location of your nearest authorised repair agent can be obtained on the Internet at [www.2helpU.com](http://www.2helpU.com), or by contacting your local Black & Decker office at the address indicated in this manual.

Please visit our website [www.blackanddecker.co.uk](http://www.blackanddecker.co.uk) to register your new Black & Decker product and receive updates on new products and special offers.

(Übersetzung der ursprünglichen  
Anweisungen)

**DEUTSCH**

### Verwendungszweck

Ihr BLACK+DECKER CLM5448PC & CLM5448PCB  
Rasenmäher wurde zum Mähen von Rasen entwickelt. Diese  
Geräte sind nicht für den gewerblichen Einsatz vorgesehen.

### Sicherheitshinweise

**Warnung!** Beachten Sie beim Umgang mit kabellosen Geräten stets die grundlegenden Sicherheitshinweise, die im Folgenden beschrieben werden. Dadurch verhindern Sie Brände, Stromschläge sowie Sach- und Personenschäden.

**Warnung!** Beachten Sie beim Verwenden des Geräts unbedingt die Sicherheitsregeln.

Lesen Sie zu Ihrer eigenen Sicherheit und zum Schutz in der Nähe befindlicher Personen vor Gebrauch des Geräts die folgende Bedienungsanleitung. Heben Sie diese Anleitung zur späteren Verwendung gut auf.

- ◆ Lesen Sie diese Anleitung vollständig und aufmerksam durch, bevor Sie das Gerät verwenden.
- ◆ Der vorgesehene Verwendungszweck ist in dieser Anleitung beschrieben. Bei Verwendung von Zubehör oder Anbauteilen, die nicht in dieser Anleitung empfohlen werden, sowie bei der Verwendung des Geräts in Abweichung von den in dieser Anleitung beschriebenen Verfahren besteht Verletzungsgefahr.
- ◆ Bewahren Sie diese Anleitung auf.

## Verwendung des Geräts

Verwenden Sie das Gerät stets mit Umsicht.

- ◆ Das Gerät ist nicht für die unbeaufsichtigte Verwendung durch Kinder oder gebrechliche Personen vorgesehen.
- ◆ Das Gerät ist kein Spielzeug.
- ◆ Achten Sie darauf, dass sich im Arbeitsbereich keine Kinder oder Tiere aufhalten. Verhindern Sie, dass Kinder das Gerät oder das Netzkabel berühren.
- ◆ Seien Sie besonders vorsichtig, wenn Sie das Gerät in der Nähe von Kindern verwenden.
- ◆ Verwenden Sie das Gerät nur in trockener Umgebung.

Achten Sie darauf, dass das Gerät nicht nass wird.

- ◆ Tauchen Sie das Gerät nicht in Wasser.
- ◆ Versuchen Sie nicht, das Gehäuse zu öffnen. Es gibt keine vom Benutzer zu wartenden Teile im Inneren des Geräts.
- ◆ Betreiben Sie das Gerät nicht in explosionsgefährdeter Umgebung, in der sich brennbare Flüssigkeiten, Gase oder Staub befinden.
- ◆ Ziehen Sie niemals am Kabel, wenn Sie den Stecker aus der Steckdose ziehen möchten. Kabel und Stecker könnten sonst beschädigt werden.
- ◆ Überzeugen Sie sich vor der Verwendung, dass Mähmesser, Messerschrauben und Mäheinheit weder abgenutzt noch beschädigt sind.  
Ersetzen Sie bei abgenutzten oder beschädigten Messern und Schrauben den entsprechenden Satz, sodass nicht neue und alte Komponenten gleichzeitig verwendet werden.
- ◆ Um eine Gefährdung durch unbeabsichtigtes Wiedereinschalten des Thermoschutzes zu vermeiden, darf dieses Gerät nicht über eine externe Schalteinrichtung wie z. B. einen Zeitgeber versorgt werden oder an einen Schaltkreis angeschlossen werden, der durch den Versorger regelmäßig ein- und ausgeschaltet wird.

- ◆ Es sollte stets ein Sicherheitsabstand zu anderen Personen, insbesondere Kindern, und Haustieren eingehalten werden.
- ◆ Beachten Sie, dass der Bediener bzw. Benutzer für eventuelle Personen- oder Sachschäden verantwortlich ist.
- ◆ Kinder sollten keinen Zugang zu aufbewahrten Geräten haben.
- ◆ Wenn das Gerät in einem Fahrzeug transportiert oder gelagert wird, bewahren Sie es im Kofferraum oder einer geeigneten Ablage auf, damit es bei plötzlichen Geschwindigkeits- oder Richtungsänderungen nicht in Bewegung geraten kann.

## Vor dem Gebrauch

- ◆ Tragen Sie stets feste Schuhe und eine lange Hose, wenn Sie mit dem Gerät arbeiten. Betreiben Sie dieses Gerät nie barfuß oder in offenen Sandalen. Tragen Sie keine lose Kleidung oder Kleidung mit herabhängenden Bändern.
- ◆ Kontrollieren Sie stets den Bereich, in dem das Gerät verwendet werden soll, und entfernen Sie alle Gegenstände, die von dem Gerät umhergeschleudert werden können.
- ◆ Überzeugen Sie sich vor der Verwendung, dass Mähmesser, Messerschraube und Mäheinheit weder abgenutzt noch beschädigt sind. Ersetzen Sie bei abgenutzten oder beschädigten Bestandteilen den entsprechenden Satz, sodass nicht neue und alte Komponenten gleichzeitig verwendet werden. Ersetzen Sie beschädigte oder unlesbare Aufkleber.

## Nach dem Gebrauch

- ◆ Bewahren Sie das Gerät bei Nichtgebrauch an einem trockenen, gut belüfteten Ort außerhalb der Reichweite von Kindern auf.

## Inspektion und Reparaturen

- ◆ Prüfen Sie das Gerät vor der Verwendung auf beschädigte oder defekte Teile. Prüfen Sie, ob Teile gebrochen sind, Schalter beschädigt sind oder andere Bedingungen vorliegen, die die Funktion beeinträchtigen könnten.
- ◆ Betreiben Sie das Gerät nicht, wenn ein Teil beschädigt oder defekt ist.
- ◆ Lassen Sie beschädigte oder defekte Teile in einer Vertragswerkstatt reparieren oder austauschen.
- ◆ Ersetzen oder entfernen Sie keine Teile, für die in dieser Anleitung keine entsprechende Beschreibung enthalten ist.
- ◆ Gehen Sie bei Einstellungen am Rasenmäher vorsichtig vor, um zu verhindern, dass Ihre Finger zwischen den beweglichen Messern/Teilen und feststehenden Teilen des Geräts eingeklemmt werden.
- ◆ Beachten Sie bei Wartungsarbeiten an den Messern, dass sich diese auch ohne Stromversorgung bewegen.

## Zusätzliche Sicherheitshinweise für Rasenmäher

- ◆ Transportieren Sie die Maschine nicht, während die Stromversorgung läuft.
  - ◆ Halten Sie den Rasenmäher während des Betriebs sicher mit beiden Händen fest.
  - ◆ Halten Sie beide Hände in der Betriebsposition, wenn der Rasenmäher gekippt werden muss. Halten Sie beide Hände in der Betriebsposition bis der Rasenmäher wieder ordnungsgemäß auf dem Boden abgestellt wurde.
  - ◆ Tragen Sie beim Rasenmähen keine Kopfhörer zum Musikhören.
  - ◆ Passen Sie niemals die Höhe der Räder an, während der Motor läuft oder sich der Sicherheitsschlüssel im Schloss befindet.
  - ◆ Lassen Sie den Bügelschalter los, um den Rasenmäher auszuschalten, wenn dieser blockiert. Warten Sie, bis das Messer zum Stillstand gekommen ist, bevor Sie versuchen, die Verstopfung zu beseitigen oder Gegenstände von der Unterseite zu entfernen.
  - ◆ Halten Sie Hände und Füße vom Schnittbereich fern.
  - ◆ Halten Sie die Sägeblätter scharf. Tragen Sie beim Umgang mit dem Messer des Rasenmähers stets Schutzhandschuhe.
  - ◆ Wenn der Grasfangbehälter verwendet wird, muss dieser regelmäßig auf Abnutzungen und Beschädigungen überprüft werden.
- Wechseln Sie aus Sicherheitsgründen den Grasfangbehälter bei starker Abnutzung aus.
- ◆ Seien Sie besonders vorsichtig, wenn Sie den Rasenmäher wenden oder in Ihre Richtung ziehen.
  - ◆ Bringen Sie Hände oder Füße nicht in die Nähe bzw. unter den Rasenmäher. Halten Sie jederzeit einen Sicherheitsabstand zur Auswurföffnung.
  - ◆ Entfernen Sie Steine, Äste, Drähte, Spielzeuge, Knochen usw., die in das Messer geraten könnten, aus dem Bereich, in dem der Rasenmäher verwendet wird. Objekte, die in das Messer geraten, können ernsthafte Verletzungen verursachen. Bleiben Sie hinter dem Griff, wenn der Motor läuft.
  - ◆ Betreiben Sie den Rasenmäher weder barfuß noch mit Sandalen. Tragen Sie jederzeit festes Schuhwerk.
  - ◆ Ziehen Sie den nur Rasenmäher nur rückwärts, wenn dies unbedingt erforderlich ist. Achten Sie stets auf den Boden und den Bereich hinter Ihnen, bevor und während Sie sich rückwärts bewegen.
  - ◆ Achten Sie darauf, dass das Material nicht in Richtung von Personen ausgeworfen wird. Achten Sie darauf, dass das Material nicht in Richtung von Wänden oder anderen Gegenständen ausgeworfen wird. Das Material kann gegen den Bediener zurückgeschleudert werden.

Lassen Sie den Bügelschalter los, und warten Sie, bis das Messer zum Stillstand gekommen ist, bevor Sie Kiesoberflächen überqueren.

- ◆ Betreiben Sie den Rasenmäher nicht ohne angebrachten und intakten Grasfangbehälter, Auswurfschutz, hinteren Schutz und andere Schutzvorrichtungen. Überprüfen Sie regelmäßig alle Schutz- und Sicherheitsvorrichtungen auf deren ordnungsgemäße Funktion. Ersetzen Sie beschädigte Schutz- und Sicherheitsvorrichtungen vor der weiteren Verwendung.
- ◆ Lassen Sie den eingeschalteten Rasenmäher niemals unbeaufsichtigt.
- ◆ Lassen Sie stets den Bügelgriff los, warten Sie, bis das Messer zum Stillstand gekommen ist, wenn Sie den Rasenmäher reinigen, den Grasfangbeutel entfernen, Verstopfungen aus der Auswurföffnung beseitigen, den Rasenmäher unbeaufsichtigt lassen bzw. Anpassungen vornehmen oder Reparaturen und Inspektionen ausführen.
- ◆ Betreiben Sie den Rasenmäher nur bei Tageslicht oder bei ausreichender Beleuchtung, sodass Gegenstände auf dem Schnittpfad vom Betriebsbereich des Rasenmähers aus deutlich sichtbar sind.
- ◆ Betätigen Sie den Rasenmäher nicht, wenn Sie unter Alkohol- oder Drogeneinfluss stehen oder wenn Sie müde oder krank sind.

Bleiben Sie immer aufmerksam, achten Sie darauf, was sie tun und setzen Sie den gesunden Menschenverstand ein.

- ◆ Meiden Sie gefährliche Umgebungen. Betreiben Sie den Rasenmäher nicht in feuchtem oder nassem Gras. Verwenden Sie den Rasenmäher keinesfalls im Regen. Achten Sie auf Trittsicherheit. Betreiben Sie das Gerät nur im Gehen, nie rennend.
- ◆ Lassen Sie den Bügelschalter los, warten Sie, bis das Messer zum Stillstand gekommen ist, wenn Sie ungewöhnliche Vibrationen des Rasenmähers bemerken, und prüfen Sie die Ursache.  
Im Allgemeinen deutet Vibration auf ein Problem hin. Im Fall einer ungewöhnlichen Vibration des Geräts finden Sie unter „Problembehebung“ weitere Informationen.
- ◆ Tragen Sie beim Betreiben des Rasenmähers stets geeigneten Augen- und Atemschutz.
- ◆ Der Gebrauch von Zubehörteilen oder Zusätzen, die nicht für den Gebrauch mit dem Rasenmäher empfohlen werden, kann gefährlich sein. Verwenden Sie nur von BLACK+DECKER genehmigtes Zubehör.
- ◆ Beugen Sie sich nicht zu weit nach vorne, wenn Sie den Rasenmäher betreiben. Achten Sie während des Betriebs des Rasenmähers stets auf Ihre Standfestigkeit und Ihr Gleichgewicht.

- ◆ Mähen Sie stets parallel zum Hang, nie den Hang hinauf oder hinunter. Arbeiten Sie mit äußerster Vorsicht, wenn Sie an Hängen die Richtung wechseln.
- ◆ Achten Sie auf Löcher, Wurzeln, Bodenunebenheiten, Steine und andere verborgene Objekte. Unebenes Gelände kann zu Unfällen durch Stürze führen. Hohes Gras kann Hindernisse verbergen.
- ◆ Mähen Sie nie nasses Gras. Mähen Sie nicht an steilen Hängen. Mangelnde Standfestigkeit kann zu Unfällen durch Stürze führen.
- ◆ Mähen Sie nicht in der Nähe von Abhängen, Gräben oder Böschungen. Es besteht die Gefahr, dass Sie ausrutschen oder das Gleichgewicht verlieren.
- ◆ Lassen Sie den Rasenmäher vor der Lagerung stets abkühlen.

Ziehen Sie den Stecker aus der Steckdose und ziehen Sie den Akku aus dem Gerät heraus. Achten Sie darauf, dass alle beweglichen Teile zum Stillstand gekommen sind:

- ◆ Wann immer Sie die Maschine verlassen;
- ◆ Bevor Blockaden entfernt werden;
- ◆ Vor dem Überprüfen, Reinigen oder Warten des Geräts.

## Sicherheit anderer Personen

- ◆ Dieses Gerät darf nicht von Personen (einschließlich Kindern) mit eingeschränkten physischen, sensorischen oder mentalen

- Fähigkeiten oder ohne ausreichende Erfahrung oder Kenntnisse verwendet werden, außer wenn diese Personen von einer Person, die für ihre Sicherheit verantwortlich ist, bei der Verwendung des Geräts beaufsichtigt oder mit ihm vertraut gemacht werden.
- ◆ Kinder müssen beaufsichtigt werden, um sicherzustellen, dass sie nicht mit dem Gerät spielen.
- ◆ Nach dem Überfahren eines Fremdkörpers. Überprüfen Sie das Gerät auf Beschädigungen und führen Sie ggf. Reparaturen durch.

## Restrisiken.

Beim Gebrauch dieses Geräts verbleiben zusätzliche Restrisiken, die möglicherweise nicht in den Sicherheitswarnungen genannt werden. Diese Risiken bestehen beispielsweise bei Missbrauch oder längerem Gebrauch. Auch bei der Einhaltung der entsprechenden Sicherheitsvorschriften und der Verwendung aller Sicherheitsgeräte bestehen weiterhin bestimmte Restrisiken. Diese sind:

- ◆ Verletzungen, die durch das Berühren von sich drehenden/bewegenden Teilen verursacht werden.
- ◆ Verletzungen, die durch das Austauschen von Teilen, Messern oder Zubehör verursacht werden.
- ◆ Verletzungen, die durch längeren Gebrauch eines Geräts verursacht werden. Legen Sie bei längerem Gebrauch regelmäßige Pausen ein.
- ◆ Beeinträchtigung des Gehörs.

- ◆ Gesundheitsrisiken durch das Einatmen von Staub beim Verwenden des Geräts (beispielsweise bei Holzarbeiten, insbesondere Eiche, Buche und MDF.)
- ◆ Wenn der Mäher an einem feuchten Ort betrieben wird, sollte ein Fehlerstromschutzschalter (RCD) mit einem Auslösestrom von nicht mehr als 30 mA verwendet werden. Ein Fehlerstromschutzschalter verringert das Risiko eines elektrischen Schlags.
- ◆ Nehmen Sie niemals ein Gerät auf, während der Motor läuft.



Tragen Sie Augenschutz



Das Messer dreht sich auch nach dem Ausschalten des Geräts weiter.



Garantierter Schalldruckpegel, gemessen nach Richtlinie 2000/14/EG.

## Zusätzliche Sicherheitshinweise für Akkus und Ladegeräte

### Akkus

- ◆ Keinesfalls versuchen, den Akku zu öffnen.
- ◆ Achten Sie darauf, dass der Akku nicht mit Wasser in Berührung kommt.
- ◆ Setzen Sie den Akku keinen hohen Temperaturen aus.
- ◆ Nicht bei Temperaturen über 40 °C lagern.
- ◆ Laden Sie den Akku ausschließlich bei Umgebungstemperaturen zwischen 10 °C und 40 °C.
- ◆ Verwenden Sie ausschließlich das mit dem Gerät gelieferte Ladegerät. Das Verwenden eines falschen Ladegeräts kann zu einem Stromschlag oder dem Überhitzen des Akkus führen.
- ◆ Beachten Sie bei der Entsorgung von Batterien und Akkus die Hinweise im Abschnitt "Umweltschutz".
- ◆ Der Akku darf nicht durch mechanische Krafteinwirkung oder Belastungen beschädigt oder verformt werden.

## Warnsymbole

Die folgenden Warnsymbole sind am Gerät inkl. Datumscode angebracht:



**Warnung!** Lesen Sie vor Inbetriebnahme die Bedienungsanleitung.



**Vorsicht:** Die Messer sind scharf. Die Messer drehen sich nach Abschalten des Geräts einige Sekunden lang weiter. Entfernen Sie die Sperrvorrichtung, bevor Wartungsarbeiten durchgeführt werden oder wenn das Kabel beschädigt ist.



Achten Sie auf Gegenstände, die eventuell umhergeschleudert werden. Halten Sie andere Personen vom Arbeitsbereich fern.



Andernfalls besteht Verletzungs- und Brandgefahr.

- ◆ Laden Sie beschädigte Akkus nicht auf.
- ◆ Unter extremen Bedingungen können Batterien undicht werden. Wenn Sie feststellen, dass aus dem Akku Flüssigkeit austritt, wischen Sie diese vorsichtig mit einem Tuch ab. Vermeiden Sie Hautkontakt.
- ◆ Beachten Sie nach Haut- oder Augenkontakt die folgenden Hinweise.

**Warnung!** Batteriesäure kann Sach- oder Personenschäden verursachen. Spülen Sie die Säure bei Hautkontakt sofort mit Wasser ab.

Suchen Sie einen Arzt auf, wenn sich auf der Haut Rötungen, Reizungen oder andere Irritationen zeigen. Spülen Sie das Auge nach Augenkontakt sofort mit sauberem Wasser aus, und suchen Sie einen Arzt auf.



Versuchen Sie nie, beschädigte Akkus aufzuladen.

## Ladegerät

Das Ladegerät ist für eine bestimmte Spannung ausgelegt.

Stellen Sie sicher, dass die Netzspannung der auf dem Typenschild des Geräts angegebenen Spannung entspricht.

**Warnung!** Ersetzen Sie das Ladegerät keinesfalls durch ein normales Netzkabel.

- ◆ Verwenden Sie das BLACK+DECKER Ladegerät nur für den Akku des

Geräts/  
Werkzeugs, mit dem es geliefert wurde. Andere Akkus können platzen und Sachschäden oder Verletzungen verursachen.

- ◆ Versuchen Sie keinesfalls, nicht aufladbare Batterien zu laden.
- ◆ Ist das Netzkabel beschädigt, muss es durch den Hersteller oder eine BLACK+DECKER Vertragswerkstatt ausgetauscht werden, um Gefahren zu vermeiden.
- ◆ Achten Sie darauf, dass das Ladegerät nicht mit Wasser in Berührung kommt.
- ◆ Versuchen Sie nicht, das Ladegerät zu öffnen.
- ◆ Nehmen Sie am Ladegerät keine Veränderungen vor.
- ◆ Beim Laden des Geräts/Akkus muss auf ausreichende Belüftung geachtet werden.

Das Ladegerät darf nur im Innenbereich verwendet werden.



Vor Gebrauch die Anleitung lesen.

**Wichtig:** Zum Aufladen der 54V-Akkus BL1554 und BL2554 dürfen nur folgende Ladegeräte verwendet werden:

90589867, 90621477, 90590287-01, 90590289-01, 90602042-01, 90590287-02, 90590289-02, 90599854-02, 90599854-06, 90599853-05, 90634971, 90634972, 90634973, 90642266, 90642264, 90642265, BDC2A

## Elektrische Sicherheit



Ihr Ladegerät ist doppelt isoliert, daher ist kein Erdungskabel

erforderlich.

Stellen Sie sicher, dass die Netzspannung der auf dem Typenschild des Geräts angegebenen Spannung entspricht.

Ersetzen Sie das Ladegerät keinesfalls durch ein normales Netzkabel.

- ◆ Wenn das Netzkabel beschädigt ist, muss es vom Hersteller oder einer autorisierten BLACK+DECKER Kundendienststelle ausgetauscht werden, um Gefahren zu vermeiden.

### Merkmale

Dieses Gerät verfügt über einige oder alle der folgenden Merkmale:

1. Schaltkasten
2. Bügelgriff
3. Oberer Griff
4. Unterer Griff
5. Befestigungshebel des oberen Griffs (2)
6. Befestigungshebel des unteren Griffs (2)
7. Verstellhebel für die Schnitthöhe
8. Grasfangbeutel
9. Hintere Klappe
10. Armaturenbrett
11. POWERCOMMAND Batterieschalter
12. Akkuanschlussabdeckung
13. Tragegriffe
14. EdgeMax™

### Ladevorgang

BLACK+DECKER Ladegeräte sind nur dazu vorgesehen, BLACK+DECKER Akkus aufzuladen.

- ◆ Setzen Sie das Ladegerät in eine geeignete Steckdose ein, bevor Sie den Akku einsetzen.
- ◆ Setzen Sie den Akku in das Ladegerät ein.



Die grüne LED blinkt, wenn der Akku geladen wird.



Der Abschluss des Ladevorgangs wird dadurch angezeigt, dass die grüne LED dauerhaft leuchtet. Der Akku ist vollständig aufgeladen und kann jetzt verwendet oder in der Ladestation gelassen werden.

**Warnung!** Laden Sie entladene Akkus so bald wie möglich nach dem Gebrauch wieder auf, da sonst die Batterielebensdauer stark verringert werden kann.

### Diagnose des Ladegeräts

Das Ladegerät ist so konzipiert, dass es bestimmte Probleme erkennen kann, die am Akku oder der Stromquelle auftreten können. Probleme werden dadurch angezeigt, dass eine LED in verschiedenen Sequenzen blinkt.

### Defekter Akku



Das Ladegerät kann einen schwachen oder beschädigten Akku erkennen.

Die rote LED blinkt mit dem Muster, das auf dem Etikett angegeben ist. Wenn das Blinkmuster für einen defekten Akku zu sehen ist, laden Sie den Akku nicht weiter auf. Bringen Sie ihn zu einem Kundendienstzentrum oder einer Recycling-Sammelstelle.

### Verzögerung heißer/kalter Akku



Wenn das Ladegerät erkennt, dass ein Akku übermäßig heiß oder kalt ist, startet es automatisch eine „Verzögerung heißer/kalter Akku“, bis sich der Akku normalisiert hat. Danach schaltet das Ladegerät automatisch in den Akku-Lademodus. Diese Funktion gewährleistet eine maximale Lebensdauer des Akkus. Die rote LED blinkt mit dem Muster, das auf dem Etikett angegeben ist, wenn die „Verzögerung heißer/kalter Akku“ erkannt wird.

### Wichtige Hinweise zum Aufladen

- ◆ Die längste Lebensdauer und beste Leistung wird erhalten, wenn der Akku bei einer Lufttemperatur zwischen 16° und 27°C aufgeladen wird.
- ◆ Laden Sie den Akku NICHT bei einer Umgebungstemperatur unter +4,5°C oder über +40,5°C auf. Dies ist wichtig und verhindert schwere Schäden am Akku.
- ◆ Das Ladegerät und der Akku können sich während des Ladevorgangs warm anfühlen. Dies ist ein normaler Zustand und weist nicht auf ein Problem hin. Um das Abkühlen des Akkus nach dem Gebrauch zu erleichtern, platzieren Sie das Ladegerät und den Akku nicht in einer warmen Umgebung, wie beispielsweise in einem Metallschuppen oder einem nicht isolierten Wohnwagen.
- ◆ Wenn der Akku nicht richtig aufgeladen wird:
  - ◆ Prüfen Sie, ob die Steckdose unter Spannung steht, indem Sie eine Lampe oder ein anderes Gerät an die Steckdose anschließen.
  - ◆ Überprüfen Sie, ob die Steckdose mit einem Lichtschalter verbunden ist, der auch das Gerät ausschaltet, wenn das Licht ausgeschaltet wird.
  - ◆ Bringen Sie Ladegerät und Akku an einen Ort, wo die Umgebungstemperatur ca. 16° - 27°C beträgt.
  - ◆ Wenn die Ladeprobleme bestehen bleiben, bringen Sie Ihr Werkzeug, Akku und Ladegerät zu Ihrer lokalen Vertragswerkstatt.

- ◆ Der Akku sollte aufgeladen werden, wenn das Gerät nicht mehr die volle Leistung bringt. Betreiben Sie das Werkzeug in diesem Fall NICHT WEITER. Befolgen Sie die Anweisungen bezüglich des Aufladens. Sie können auch jederzeit einen teilweise entleerten Akku aufladen, ohne dass dies nachteilige Auswirkungen auf den Akku hat.
- ◆ Leitfähige Fremdmaterialien, z.B. unter anderem Stahlwolle, Alufolie oder angesammelte Metallpartikel, sollten von Hohlräumen des Ladegeräts ferngehalten werden. Ziehen Sie den Netzstecker des Ladegerätes immer aus der Steckdose, wenn kein Akku in der Vertiefung steckt. Ziehen Sie den Netzstecker des Ladegerätes vor dem Reinigen aus der Steckdose.
- ◆ Gerät keinem Spritzwasser aussetzen oder in Wasser oder andere Flüssigkeiten tauchen.

**Warnung!** Keine Flüssigkeiten in das Ladegerät gelangen lassen.

**KEINESFALLS VERSUCHEN, DEN AKKU ZU ÖFFNEN. WENN DAS KUNSTSTOFFGEHÄUSE DES AKKUS BRÜCHE ODER RISSE AUFWEIST, BRINGEN SIE ES ZUM RECYCLING ZU EINER VERTRAGSWERKSTATT.**

### Ladestandsanzeige des Akkus

Der Akku ist mit einer Ladestandsanzeige ausgestattet. Mithilfe dieser Anzeige kann während des Mäh- und Ladevorgangs der aktuelle Ladestand des Akkus überprüft werden. Sie zeigt nicht die Funktionsfähigkeit des Werkzeugs an und unterliegt Unterschieden, die auf Bauteilen, Temperatur und Anwendungsart des Endbenutzers basieren.

### Überprüfung des Ladestatus:

- ◆ Drücken Sie die Taste der Ladestandsanzeige (A1).
- ◆ Die drei LEDs (A2) leuchten und zeigen den Prozentsatz an Ladung im Akku an. Siehe Diagramm in Abbildung A.
- ◆ Leuchtet die LED nicht, muss der Akku geladen werden.

### Anbringen und Entfernen von Akkus

**Warnung!** Stellen Sie sicher, dass der Sicherheitsschlüssel entfernt wurde, bevor Sie einen Akku anbringen oder entfernen, um ungewolltes Anlaufen des Geräts zu verhindern.

### Anbringen von Akkus:

- ◆ Heben Sie die Akkuanschlussabdeckung (12) an, um den Akkuanschluss (15) freizulegen.
- ◆ Schieben Sie den Akku (16) in den Akkuanschluss, bis sie vollständig sitzt und ein Klicken zu hören ist (Abbildung B). Stellen Sie sicher, dass der Akku vollständig sitzt und in Position eingerastet ist. Wiederholen Sie den Vorgang für den zweiten Akkuanschluss.
- ◆ Schließen Sie die Akkuanschlussabdeckung. Stellen Sie vor dem Start des Rasenmähers sicher, dass die Abdeckung vollständig eingerastet ist.

### Entfernen von Akkus:

- ◆ Öffnen Sie die Akkuanschlussabdeckung (12) wie zuvor beschrieben.
- ◆ Drücken Sie die Batterie-Auslösetaste (16a) auf dem Akku und ziehen Sie den Akku aus dem Werkzeug heraus, wie in Abbildung C dargestellt.

### Auswahl von POWERCOMMAND-Akkus

**Warnung!** Stellen Sie sicher, dass der Sicherheitsschlüssel entfernt wurde, bevor der aktive Akku ausgewählt wurde, um zu verhindern, dass das Gerät anläuft.

Der Rasenmäher ist mit einer POWERCOMMAND-Akku-Auswahltaaste (11) ausgestattet. Dieser dient dazu, die Laufzeit zu verlängern. Drücken Sie die Akku-Auswahltaaste (Abb. D) auf der linken oder rechten Seite.

- ◆ Die mit "1" gekennzeichnete Seite aktiviert den Akkuanschluss der linken Seite.
- ◆ Die mit "2" gekennzeichnete Seite aktiviert den Akkuanschluss der rechten Seite.

**Hinweis:** Der Rasenmäher kann mit einem einzigen Akku betrieben werden, wenn sich der Schalter in der richtigen Position befindet.

### Aktive Batterie, Ladestandsanzeigen

**Hinweis:** Der Ladestatus wird nur angezeigt, wenn ein Akku eingelegt ist, wenn der Mäher eingeschaltet ist oder wenn ein einzelner Akku vorhanden ist und der Schalter zum Verbinden mit dem Mäher angeschlossen ist.

Dieser Rasenmäher ist mit einer Ladestandsanzeige ausgestattet, die sich unten am Armaturenbrett (10) befindet. Sie dient dazu, den aktiven Akkuanschluss und den aktuellen Ladestand des aktiven Akkus anzuzeigen. Wenn ein Akku an den Akkuanschlüssen eingesetzt ist, leuchten die drei Ladestand-LEDs für 3 Sekunden auf, zeigen dabei den aktuellen Ladestand des Akkus an und schalten ihn dann aus. Während des Betriebs des Rasenmähers wird der aktuelle Ladestand für den ausgewählten aktiven Akku angezeigt.

- ◆ Wenn der Rasenmäher eingeschaltet wird, leuchten alle LED-Anzeigen am Armaturenbrett (10) vorübergehend auf.
- ◆ Die Armaturenbrett-LED auf der Seite des inaktiven Akkus geht dann wieder aus.
- ◆ Die Armaturenbrett-LEDs auf der Seite des aktiven Akkus (17) leuchten weiterhin und die drei LEDs für die Ladestandsanzeige (18) geben den Prozentsatz der Ladung im Akku an. (Siehe Diagramm in Abbildung A.)
- ◆ Wenn für den aktiven Akku keine LED leuchtet, schalten Sie die Akku-Auswahltaaste (11) auf den inaktiven Akku um. Wenn dann keine Akku-LED leuchtet, laden Sie den Akku auf.

**Hinweis:** Der Sicherheitsschlüssel muss eingesteckt sein, damit alle LEDs und Schalter wie beschrieben funktionieren.

### DUALVOLT 54V-Akku (Abb. C1.)

Der Dualvolt 54V-Akku kann für Black+Decker Akku-Werkzeuge mit 54V & 18V verwendet werden. Der Akku erkennt das Werkzeug, in das er eingesetzt wird, und betreibt es mit der entsprechenden Leistung, was eine längere Laufzeit in 18V-Werkzeugen ermöglicht. Es gibt eine Taste für die Ladestandsanzeige (16b), welche den Ladestand für 54V und 18V anzeigt.

### Montage

**Warnung!** Vergewissern Sie sich vor der Montage, dass der Bügelgriff freigegeben und der Sicherheitsschlüssel abgezogen wurde.

## Anbringen des unteren Griffs

- ◆ Heben Sie den unteren Griff (4) in Position und stellen Sie sicher, dass der Pfeil (19) auf dem Boden des Rasenmähers bündig mit 1, 2 oder S auf dem Griff (20) abschließt (Einfügung von Abb. F).

**Hinweis!** Stellen Sie sicher, dass jede Seite des unteren Griffs auf die gleiche Zahl eingestellt ist. Der Pfeil muss für den Betrieb auf 1 oder 2 zeigen.

- ◆ Schließen Sie die Verstellhebel für die Griffhöhe (6), wie in Abbildung F dargestellt. Stellen Sie beim Schließen sicher, dass die Zähne eingerastet sind, wie in Abbildung G dargestellt.
- ◆ Ist die Verbindung zwischen dem Griff und dem Hebel zu eng oder locker, dann öffnen Sie den Hebel und justieren Sie die Tiefe des Hebels durch Drehen des Hebels. Schließen Sie ihn wieder, bis die Zähne vollständig eingerastet sind und jeder Hebel sicher geschlossen bleibt.

## Anbringen des oberen Griffs (Abb. H)

Der obere Griff hat drei verschiedene Löcher für die Montageposition (21), um die Grifflänge anzupassen. Der erste Satz Löcher nah an der Unterseite des Rohres des oberen Griffs ermöglicht eine maximale Grifflänge. Bei Verwendung der mittleren und oberen Montageposition wird die Grifflänge kürzer.

- ◆ Entfernen Sie die Befestigungshebel des oberen Griffs (5), Muttern (22) und Unterlegscheiben (23) von dem Griff.
- ◆ Richten Sie die Löcher an der Unterseite des oberen Griffs (3) an den Löchern auf der Oberseite des unteren Griffs (4) aus.

**Hinweis:** Vergewissern Sie sich, dass das Kabel an der Vorderseite der beiden Griffe verläuft, wie in Abbildung I gezeigt. Anderenfalls kann sich das Kabel verwickeln und der Rasenmäher lässt sich nicht einfach aufbewahren.

- ◆ Schieben Sie die Hebelschraube von der Außenseite des oberen Griffs (3) durch die Löcher.
- ◆ Schieben Sie die Unterlegscheibe über die Schraube des Hebels und montieren Sie den gesamten Zusammenbau locker mit der Mutter.
- ◆ Drehen Sie den oberen Griff in seine Betriebsposition.
- ◆ Schließen Sie den Hebel. Ist er zu fest oder zu locker, dann öffnen Sie den Hebel und die Mutter, um die Befestigung zu justieren. Prüfen Sie die Hebel, indem Sie sie schließen. Sie sollten fest genug sein, damit die Griffe fest gehalten werden, aber lose genug, damit die Hebel vollständig geschlossen werden können. Justieren Sie durch Öffnen des Hebels und Drehen der Mutter, bis die Griffe gesichert sind.

## Sichern des Motorkabels (Abb. I)

**Warnung:** Befestigen Sie das Kabel in den Verbindungsstellen der Griffe während des Gebrauchs oder Zusammenklappens so, dass es nicht gespannt oder zusammengepresst wird. Dies kann Schäden am Netzkabel verursachen.

Das Motorkabel muss mit den Kabelverbindungen, die bereits am Griff befestigt sind, an den Griffen befestigt werden.

Befestigen des Kabels am Griff:

- ◆ Bringen Sie die Griffe in Betriebsposition, siehe den Abschnitt "Befestigung des unteren Griffs".
- ◆ Führen Sie das Kabel an der Vorderseite der unteren und oberen Griffe nach oben.

- ◆ ziehen Sie die Kabelrückhaltung nach hinten.
- ◆ Schieben Sie das Motorkabel und den Clip und stellen Sie sicher, dass es in der Rückhaltung sitzt.

## Anbringen des Beutels

**Warnung:** Entfernen Sie den Schlüssel und die Akkus, bevor Sie den seitlichen Auslass und den Mulcheinsatz entfernen und wenn Sie die hintere Klappe öffnen und einen Beutel einsetzen.

- ◆ Stellen Sie sicher, dass die seitliche Entladebefestigung (26) (Abb. M) und der Mulcheinsatz (Abb. 27) entfernt werden, bevor der Beutel angebracht wird.
- ◆ Heben Sie die hintere Klappe (9) an und platzieren Sie den Grasfangbeutel (8) so am Rasenmäher an, dass die Haken des Beutels (28) auf den Laschen (29) liegen, wie in Abbildung K dargestellt. Schließen Sie dann die hintere Klappe.

## Mulchen

**Warnung!** Entfernen Sie den Schlüssel und die Akkus, bevor Sie den seitlichen Auslass und den Grasfangbeutel entfernen oder wenn Sie den Mulcheinsatz anbringen.

- ◆ Stellen Sie sicher, dass die seitliche Entladebefestigung (26) und der Grasfangbeutel (8) nicht befestigt sind.
- ◆ Heben Sie die hintere Klappe (9) und schieben Sie die Mulcheinsatz (27) vollständig in den Rasenmäher, wie in Abbildung L dargestellt.
- ◆ Stellen Sie sicher, dass die hintere Klappe vollständig schließt, bevor der Rasenmäher eingeschaltet wird.

## Seitenauswurf

**Warnung!** Entfernen Sie den Schlüssel und die Akkus, bevor Sie den Grasfangbeutel entfernen und wenn Sie den seitlichen Auslass und den Mulcheinsatz anbringen.

- ◆ Stellen Sie sicher, dass der Grasfangbeutel (8) entfernt wurde.
- ◆ Heben Sie die hintere Klappe (9) an und schieben Sie die Mulcheinsatz (27) vollständig in den Rasenmäher, wie in Abbildung L dargestellt.
- ◆ Heben Sie die seitliche Klappe (30) und die seitliche Entladehakenbefestigung (26) auf den Rasenmäher, wie in Abbildung M dargestellt.
- ◆ Lösen Sie die seitliche Klappe und stellen Sie sicher, dass die Befestigung hält, bevor Sie den Rasenmäher einschalten, wie in Abbildung M dargestellt.

## Betrieb

Lesen Sie vor Gebrauch des Rasenmähers diese Anleitung. Beachten Sie den Abschnitt "Merkmale", um sich mit der Lage der verschiedenen Bedien- und Einstellelemente vertraut zu machen. Bewahren Sie dieses Handbuch gut auf.

**Warnung!** Beschleunigen Sie den Arbeitsvorgang nicht mit Gewalt. Vermeiden Sie eine Überlastung.

**Warnung!** Scharfes, bewegliches Messer. Betreiben Sie den Rasenmäher nicht mit seitlichem Auslass oder zum Mulchen, wenn die hintere Klappe nicht durch die Federn geschlossen ist, da sonst ernsthafte Verletzungen die Folge sein können. Lassen Sie den Rasenmäher in einer Werkstatt in Ihrer Nähe reparieren.

## Anpassung der Griffhöhe (Abb. N)

- ◆ Öffnen Sie beide Befestigungshebel (6) des unteren Griffs.
- ◆ Stellen Sie den Griff so ein, dass der Pfeil (19) am Boden des Rasenmähers auf die 1 oder 2 unten am Griff (20) zeigt. Stellen Sie sicher, dass der Griff an beiden Seiten des Rasenmähers auf dieselbe Zahl zeigt.
- ◆ Schließen Sie beide Hebel und stellen Sie sicher, dass der Griff wie in der eingefügten Abbildung gezeigt fest sitzt und die Zähne eingerastet sind.

## Anpassung der Rasenmäherhöhe (Abb. O)

Die Schnitthöhe kann mit dem zentralen Schnitthöhenverstellhebel angepasst werden. Es stehen sieben Positionen zur Auswahl.

**Hinweis:** Falls Sie sich nicht sicher sind, welche Höhe geschnitten werden soll, dann beginnen Sie mit dem Höhenverstellhebel (7) in Position 7 zu mähen und justieren Sie die Höhe bei Bedarf nach unten, wie in Abbildung O dargestellt.

Einstellen der Schnitthöhe:

- ◆ Ziehen Sie den Verstellhebel für die Rasenmäherhöhe (7) aus der Arretierungsnut (31).
- ◆ Zur Erhöhung der Schnitthöhe schieben Sie den Hebel zum hinteren Teil des Mähers.
- ◆ Zur Verringerung der Schnitthöhe schieben Sie den Hebel zum vorderen Teil des Mähers.
- ◆ Drücken Sie den Hebel für die Höheneinstellung in eine der sieben Arretierungsnuten.

## Sicherheitsschlüssel

Um ein versehentliches Starten oder den unzulässigen Gebrauch Ihres Akku-Rasenmähers zu verhindern, wurde ein Sicherheitsschlüssel (32) in das Design Ihres Rasenmähers integriert. Der Rasenmäher wird vollständig deaktiviert, wenn der Sicherheitsschlüssel von dem Rasenmäher entfernt wurde.

**Hinweis:** Der Sicherheitsschlüssel hat ein Loch in der Mitte, damit er außerhalb der Reichweite von Kindern z.B. an einem Nagel aufgehängt werden kann. Binden Sie den Sicherheitsschlüssel nicht am Rasenmäher an.

**Warnung!** Die sich drehenden Messer können ernsthafte Verletzungen verursachen. Um schwere Verletzungen zu vermeiden, entfernen Sie den Sicherheitsschlüssel, wenn das Gerät unbeaufsichtigt ist und wenn es aufgeladen, gereinigt, gewartet, transportiert, angehoben und gelagert wird.

## Anlassen des Rasenmähers

**Warnung!** Scharfes, bewegliches Messer. Versuchen Sie niemals, die Funktion dieses Schaltkastens zu manipulieren, da dies ernsthafte Verletzungen zur Folge haben kann.

**Hinweis:** Der Rasenmäher ist betriebsbereit, wenn Akku und Sicherheitsschlüssel eingesetzt wurden.

- ◆ Stecken Sie den Sicherheitsschlüssel (32) in das Schaltergehäuse (1), bis er vollständig im Gehäuse sitzt, wie in Abbildung P dargestellt. Der Rasenmäher ist nun betriebsbereit.
- ◆ Ihr Rasenmäher ist mit einem speziellen Ein-Aus-Schaltkasten ausgestattet. Um den Rasenmäher zu bedienen, müssen Sie die Taste (33) auf dem Schaltkasten (1) drücken, ziehen Sie dann den Bügelgriff (2) zur Griffstange, wie in Abbildung Q dargestellt.

Sobald der Rasenmäher läuft, können Sie die Taste wieder loslassen.

- ◆ Zum Ausschalten des Rasenmähers den Bügelgriff einfach lösen.

**Warnung!** Versuchen Sie niemals, einen Schalter oder Bügelgriff (2) in der eingeschalteten Stellung zu arretieren.

**Hinweis:** Sobald der Bügelgriff in die ursprüngliche Stellung zurückgekehrt ist, wird der "Automatische Bremsmechanismus" aktiviert. Der Motor wird elektronisch gebremst, und das Messer des Rasenmähers kommt innerhalb von 3 Sekunden zum Stillstand.

## Rasenmäherüberlastung

Um Schäden aufgrund einer Überlastung zu vermeiden, versuchen Sie nicht, zu viel Gras auf einmal zu entfernen. Verlangsamten Sie Ihre Schnittgeschwindigkeit, oder heben Sie die Schnitthöhe an.

## EdgeMax™

Mithilfe von EdgeMax™ (14) können Sie Gras bis direkt an die Kante einer Mauer oder eines Zauns mähen (Abb. R1). EdgeMax™ ermöglicht es, das Gras genau bis an die Rasenkante zu mähen (Abb. R2).

- ◆ Betreiben Sie den Rasenmäher parallel zu der Kante Ihres Rasens an der Kante des Rasens entlang. Stellen Sie sicher, dass der EdgeMax™ leicht über der Kante Ihres Rasens ist (Abb. R2).

**Hinweis:** Wenn die seitliche Entladebefestigung befestigt ist, kann der EdgeMax™ nur auf der linken Seite des Rasenmähers verwendet werden.

## Aufbewahrung

**Warnung!** Das sich drehende Messer kann ernsthafte Verletzungen verursachen.

Lassen Sie den Bügelgriff (2) los, um den Rasenmäher auszuschalten, entfernen Sie den Sicherheitsschlüssel und entfernen Sie die Batterie vor dem Anheben, Transport oder der Lagerung des Rasenmähers. Lagern Sie das Gerät an einem trockenen Ort.

**Warnung!** Um zu vermeiden, gequetscht zu werden, halten Sie die Finger beim Herunterklappen der Griffe aus dem Bereich zwischen den Griffen fern.

**Warnung!** Stellen Sie sicher, dass das Kabel in den Verbindungsstellen der Griffe während des Zusammenklappens nicht gespannt oder zusammengepresst wird. Dies kann Schaden am Netzkabel verursachen. Der Griff des Rasenmähers kann für eine schnelle und bequeme Lagerung leicht heruntergeklappt werden.

- ◆ Den Griff festhalten und dabei die Befestigungshebel des unteren Griffs (6) öffnen, aber nicht entfernen und den Griff zur Vorderseite des Rasenmähers klappen, wie in Abbildung S dargestellt.
- ◆ Stellen Sie den Griff so ein, dass der Pfeil (19) am Boden des Rasenmähers auf das "S" (20) zeigt. Stellen Sie sicher, dass der Griff an beiden Seiten des Rasenmähers gleich eingestellt ist.
- ◆ Schließen Sie beide Hebel und stellen Sie sicher, dass der Griff fest eingerastet ist.
- ◆ Öffnen, aber entfernen Sie die Befestigungshebel des oberen Griffs (5) nicht und klappen Sie den oberen Griff (3) über den unteren Griff (4) zurück, wie in Abbildung T dargestellt.

- ◆ Der Rasenmäher sollte wie in Abbildung U dargestellt zusammengeklappt werden.

### Tragen des Rasenmähers

- ◆ Der Rasenmäher kann mit den bequemen Tragegriffen (13) getragen werden, wie in Abbildung V dargestellt. VERSUCHEN SIE NICHT den Rasenmäher durch Greifen des oberen Griffs (3) oder unteren Griffs (4) zu heben.

### Tipps für das Rasenmähen

**Warnung!** Kontrollieren Sie stets den Bereich, in dem der Rasenmäher verwendet werden soll, und entfernen Sie Steine, Äste, Drähte, Knochen usw., die in das Messer geraten könnten.

**Warnung!** Mähen Sie stets parallel zum Hang, nie den Hang hinauf oder hinunter. Arbeiten Sie mit äußerster Vorsicht, wenn Sie an Hängen die Richtung wechseln. Mähen Sie nicht an steilen Hängen. Achten Sie auf Trittsicherheit.

- ◆ **Lassen Sie den Bügelgriff los, um den Rasenmäher auszuschalten, wenn Sie Bereiche mit Kies überqueren. (Steine können umhergeschleudert werden.)**
- ◆ Stellen Sie den Rasenmäher auf die größtmögliche Schnitthöhe ein, wenn Sie unebene Flächen oder hohes Gras mähen. Wenn zu viel Gras auf einmal geschnitten wird, kann dies eine Überlastung des Motors zur Folge haben und diesen zum Stillstand bringen. Weitere Informationen finden Sie unter "Problembehebung".
- ◆ Wenn der Grasfangbeutel (8) verwendet wird, während das Gras stark wächst, verfährt sich das Gras möglicherweise in der Auswurföffnung. Lassen Sie den Bügelgriff los, um den Rasenmäher auszuschalten, und entfernen Sie den Sicherheitsschlüssel. Entfernen Sie den Grasfangbeutel, und schütteln Sie das Gras in den Boden des Grasfangbeutels. Entfernen Sie zudem Gras und Verschmutzungen aus dem Bereich der Auswurföffnung. Tauschen Sie den Grasfangkorb aus.
- ◆ Beginnt der Rasenmäher ungewöhnlich zu vibrieren, lösen Sie den Bügelgriff, um den Rasenmäher auszuschalten und den Sicherheitsschlüssel herauszuziehen. Prüfen Sie sofort die Ursache. Vibrationen weisen auf eine Fehlfunktion hin. Betreiben Sie den Rasenmäher nicht mehr, bis eine Wartung durchgeführt wurde. Weitere Informationen finden Sie in dieser Anleitung unter "Problembehebung".
- ◆ Lassen Sie den Bügelgriff stets los, um den Rasenmäher auszuschalten, wenn Sie den Rasenmäher (auch kurzfristig) unbeaufsichtigt lassen.

### Hinweise für optimale Leistung

- ◆ Arbeiten Sie in Bereichen mit besonders langem oder kräftigem Gras langsam.
- ◆ Mähen Sie nicht, wenn das Gras nass vom Regen oder vom Tau durchnässt ist.
- ◆ Mähen Sie den Rasen regelmäßig, besonders in Zeiten starken Wachstums.

**Hinweis:** Es wird empfohlen, dass Sie Ihren Rasenmäher nach dem Gebrauch wieder aufladen, um die Batterielebensdauer zu verlängern. Häufiges Laden schadet Ihrer Batterie nicht und wird sicherstellen, dass die Batterie vollständig aufgeladen und bereit für ihren nächsten Einsatz ist.

Die Lagerung einer nicht vollständig geladenen Batterie verkürzt die Batterielebensdauer.

### Entfernen und Anbringen von Messern

**Warnung!** Stellen Sie beim Wiederzusammenbau des Messersystems sicher, dass jedes Teil korrekt neu installiert wird, wie unten beschrieben.

Ein unsachgemäßer Zusammenbau des Messers oder sonstiger Teile des Messersystems kann schwere Verletzungen verursachen.

**Warnung!** Lassen Sie den Bügelgriff los, um den Rasenmäher auszuschalten, warten Sie, bis das Messer zum Stillstand gekommen ist, und ziehen Sie dann den Netzstecker.

- ◆ Schneiden Sie ein Stück 2x4 Holz (34) (ungefähr 610 mm), damit sich das Messer beim Entfernen der Schraube (35) nicht drehen kann.
- ◆ Tragen Sie Handschuhe und eine geeignete Schutzbrille.
- ◆ Tippen Sie den Rasenmäher auf die Seite. Achten Sie auf scharfe Messerklingen. Positionieren Sie das Holz und schrauben Sie die Schraube mit einem 13mm-Schraubenschlüssel (36) ab, wie in Abbildung W dargestellt.
- ◆ Notieren Sie sich bei der Demontage die Lage der einzelnen Teile. Entfernen Sie Schraube (35) und Unterlegscheibe (37). Ziehen Sie das Messer (38) heraus, wie in Abbildung X dargestellt. Der Lüfter (39) darf nicht entfernt werden. Prüfen Sie alle Teile auf eventuelle Beschädigungen, und ersetzen Sie diese ggf.
- ◆ Das Messer kann nur in einer Richtung am Lüfter befestigt werden. Schließen Sie für den Wiederzusammenbau das D-förmige Loch des Messers mit dem D-förmigen Pfahl des Lüfters bündig ab und stellen Sie sicher, dass die Schrift auf dem Messer vom Rasenmäher weg zeigt.
- ◆ Positionieren Sie das Holzstück zum Festziehen, wie in Abbildung Y dargestellt, um zu verhindern, dass sich das Messer dreht. Stecken Sie die Schraube durch die Unterlegscheibe und ziehen Sie die Schraube wie in Abbildung Y gezeigt mit einem 13mm-Schraubenschlüssel (36) im Uhrzeigersinn an.

### Schärfen des Messers

Halten Sie das Messer scharf, um stets eine optimale Leistung des Rasenmähers zu erzielen. Mit einem stumpfen Messer kann weder ordnungsgemäß gemäht werden. Verwenden Sie beim Entfernen, Schärfen und Anbringen des Messers einen geeigneten Augenschutz. Stellen Sie sicher, dass Sicherheitsschlüssel und Akku entfernt sind.

In der Regel ist es ausreichend, das Messer während der Mähseason zweimal zu schärfen. Sand führt dazu, dass das Messer rasch stumpf wird. Wenn Ihr Rasen einen sandigen Untergrund aufweist, muss das Messer möglicherweise häufiger geschärft werden.

**Hinweis:** Ersetzen Sie das verbogene oder beschädigte Messer umgehend.

Beim Schärfen des Messers:

- ◆ Stellen Sie sicher, dass das Messer ausbalanciert bleibt.
- ◆ Schärfen Sie das Messer im ursprünglichen Schnittwinkel.
- ◆ Schärfen Sie beide Enden des Messers, und entfernen Sie an beiden Enden die gleiche Menge Material.

## So schärfen Sie ein Messer in einem Schraubstock (Abb. V)

- ◆ Stellen Sie vor dem Entfernen des Messers sicher, dass der Bügelgriff gelöst wurde, das Messer gestoppt hat und der Netzstecker gezogen wurde.
- ◆ Entfernen Sie das Messer vom Rasenmäher. Siehe die Anweisungen zum Entfernen und Installieren des Messers.
- ◆ Sichern Sie das Messer (38) in einem Schraubstock (40).
- ◆ Tragen Sie einen ordnungsgemäßen Augenschutz und Handschuhe und achten Sie darauf, sich nicht zu schneiden.  
Schärfen Sie die Schneiden des Messers vorsichtig mit einer feinen Feile (41) oder einem Schleifstein. Behalten Sie den ursprünglichen Schnittwinkel bei. Prüfen Sie die Ausbalancierung des Messers. Siehe die Anweisungen zur Messerausbalancierung.
- ◆ Ersetzen Sie das Messer am Rasenmäher und ziehen Sie es sicher fest.

## Messerausbalancierung

Prüfen Sie die Balance des Messers (38), indem Sie das Mittelloch des Messers auf einem Nagel oder einem horizontal in einer Zwinne befestigten Schraubendreher positionieren. Wenn sich ein Ende des Messers nach unten dreht, feilen Sie entlang der scharfen Kante des nach unten fallenden Endes. Das Messer ist ordnungsgemäß ausbalanciert, wenn kein Ende sinkt.

## Schmierung

Schmieren ist nicht erforderlich. Ölen Sie die Räder nicht. Die Räder verfügen über Kunststofflager, die nicht geschmiert werden müssen.

## Reinigung

Lösen Sie den Bügelgriff (2), um den Rasenmäher auszuschalten, lassen Sie das Messer zum Stehen kommen und ziehen Sie dann den Sicherheitsschlüssel ab. Reinigen Sie den Rasenmäher ausschließlich mit milder Seifenlösung und einem angefeuchteten Tuch. Verwenden Sie ein stumpfes Werkzeug, um geschnittenes Gras von der Unterseite des Rasenmähers zu reinigen. Überprüfen Sie nach mehrmaligem Gebrauch, ob alle Befestigungen fest angezogen sind.

## Verhindern von Rost

Düngemittel und andere in Gärten verwendete Chemikalien enthalten Stoffe, die das Rosten von Metallen stark beschleunigen. Wenn Sie Flächen mähen, auf denen Düngemittel oder Chemikalien verwendet wurden, sollten Sie den Rasenmäher nach dem Gebrauch unmittelbar wie folgt reinigen: Lassen Sie den Bügelgriff (2) los, um den Rasenmäher auszuschalten, und ziehen Sie den Netzstecker. Wischen Sie alle offenliegenden Teile mit einem feuchten Tuch ab.

## Wartung

Ihr BLACK+DECKER Gerät (mit und ohne Netzkabel) wurde im Hinblick auf eine lange Lebensdauer und einen möglichst geringen Wartungsaufwand entwickelt. Ein dauerhafter, einwandfreier Betrieb setzt eine regelmäßige Pflege und Reinigung voraus.

**Warnung!** Vor dem Ausführen jeglicher Wartungsarbeiten an Geräten mit und ohne Netzkabel:

- ◆ Schalten Sie das Gerät aus, und ziehen Sie den Netzstecker.
- ◆ Wenn der Akku integriert ist, entladen Sie diesen vor dem Abschalten vollständig.
- ◆ Ziehen Sie das Ladegerät aus der Netzsteckdose, bevor Sie es reinigen. Das Ladegerät benötigt keine Wartung, es sollte jedoch regelmäßig gereinigt werden.
- ◆ Reinigen Sie regelmäßig die Lüftungsschlitze des Geräts und des Ladegeräts mit einer weichen Bürste oder einem trockenen Tuch.
- ◆ Reinigen Sie das Motorgehäuse regelmäßig mit einem feuchten Tuch. Verwenden Sie keine scheuernden Reinigungsmittel oder Reinigungsmittel auf Lösungsmittelbasis.
- ◆ Entfernen Sie mit einem stumpfen Schaber regelmäßig Gras und Erde von der Unterseite der Schutzvorrichtung.

## Fehlerbehebung

Wenn das Gerät nicht richtig zu funktionieren scheint, befolgen Sie die nachfolgenden Hinweise. Sollte sich das Problem nicht beheben lassen, wenden Sie sich an eine BLACK+DECKER Vertragswerkstatt in Ihrer Nähe.

**Warnung!** Lassen Sie erst den Bügelschalter los, um den Rasenmäher auszuschalten. Warten Sie dann, bis das Messer zum Stillstand gekommen ist.

Problem	Mögliche Lösung
<b>Der Rasenmäher funktioniert nicht, wenn der Bügelgriff aktiviert wird.</b>	Vergewissern Sie sich, dass der Netzstecker des Rasenmähers richtig eingesteckt ist und dass die Taste am Schaltkasten vollständig gedrückt wird, bevor Sie den Bügelgriff ziehen.
	Lassen Sie den Bügelschalter los, um den Rasenmäher auszuschalten. Entfernen Sie den Sicherheitsschlüssel und den Akku, kippen Sie den Rasenmäher auf die Seite, und überprüfen Sie, ob sich das Messer frei drehen lässt.
	Stellen Sie sicher, dass das Akkufach frei von Verschmutzungen und ordnungsgemäß angeschlossen ist.
	Wurde der Akku vollständig aufgeladen? Drücken Sie die Taste der Ladestandsanzeige.
<b>Der Motor blockiert beim Mähen.</b>	Lassen Sie den Bügelschalter los, um den Rasenmäher auszuschalten. Entfernen Sie den Sicherheitsschlüssel und den Akku. Kippen Sie den Rasenmäher auf die Seite, und überprüfen Sie, ob sich das Messer frei drehen lässt.
	Stellen Sie die Schnitthöhe der Räder auf die höchste Position ein, und starten Sie den Rasenmäher.
	Stellen Sie sicher, dass das Akkufach frei von Verschmutzungen und ordnungsgemäß angeschlossen ist.
	Wurde der Akku vollständig aufgeladen? Drücken Sie die Taste der Ladestandsanzeige.
	Vermeiden Sie eine Überlastung des Rasenmähers. Verlangsamen Sie die Schnittgeschwindigkeit, oder heben Sie die Schnitthöhe an.

Problem	Mögliche Lösung
Der Rasenmäher läuft, aber die Schneidleistung ist unbefriedigend.	Lassen Sie den Bügelschalter los, um den Rasenmäher auszuschalten. Ziehen Sie den Netzstecker. Kippen Sie den Rasenmäher auf die Seite, und überprüfen Sie Folgendes: <ul style="list-style-type: none"> <li>◆ Schärfe des Messers - Halten Sie das Messer scharf.</li> <li>◆ Das Deck und die Auswurföffnung auf Verstopfungen.</li> </ul> Die Radhöhereinstellung ist möglicherweise zu niedrig für den gegebenen Rasen. Erhöhen Sie die Schnitthöhe.
Der Rasenmäher lässt sich nur schwer schieben.	Lassen Sie den Bügelschalter los, um den Rasenmäher auszuschalten. Ziehen Sie den Netzstecker. Vergrößern Sie die Schnitthöhe, um den Widerstand durch das Gras zu verringern. <b>Überprüfen Sie, ob sich die Räder frei drehen lassen</b>
Der Rasenmäher ist ungewöhnlich laut und vibriert.	Lassen Sie den Bügelschalter los, um den Rasenmäher auszuschalten. Ziehen Sie den Netzstecker. Kippen Sie den Rasenmäher auf die Seite, und überprüfen Sie, ob das Messer verbogen oder beschädigt ist. Ersetzen Sie ein beschädigtes Messer ggf. durch ein Ersatzmesser von BLACK + DECKER. <b>Übergeben Sie den Rasenmäher an eine BLACK + DECKER Vertragswerkstatt, wenn die Unterseite des Decks beschädigt ist.</b> <p>Wenn das Messer nicht sichtlich beschädigt ist und der Rasenmäher weiterhin vibriert:</p> <ul style="list-style-type: none"> <li>◆ Lassen Sie den Bügelgriff los, um den Rasenmäher auszuschalten.</li> <li>◆ Ziehen Sie den Netzstecker.</li> <li>◆ Demontieren Sie die gesamte Messerbaugruppe wie im Abschnitt "Entfernen und Installieren des Messers" beschrieben.</li> <li>◆ Entfernen Sie Schmutz und reinigen Sie jedes Teil.</li> <li>◆ Bringen Sie jedes Teil wie im Abschnitt "Entfernen und Installieren des Messers" beschrieben wieder an.</li> </ul> Übergeben Sie den Rasenmäher an eine zugelassene BLACK+DECKER Vertragswerkstatt, wenn das Gerät weiterhin vibriert.
Ladestatus-LEDs leuchten nicht.	Steckverbindung prüfen. Tauschen Sie das Ladegerät aus.
Geschnittenes Gras wird vom Rasenmäher nicht im Beutel aufgesammelt.	Die Auswurföffnung ist verstopft. Lassen Sie den Bügelschalter los, um den Rasenmäher auszuschalten. Ziehen Sie den Netzstecker. Entfernen Sie abgeschnittenes Gras aus der Auswurföffnung. Heben Sie die Schnitthöhe der Räder an, um die abgeschnittene Länge zu verkürzen. Der Behälter ist voll. Leeren Sie den Behälter öfter.

Technische Daten

		CLM5448PC	CLM5448PCB
Spannung	VDC	54V	54V
Drehzahl ohne Last	min <sup>-1</sup>	0 - 2900	0 - 2900
Gewicht	kg	26,62	24,15
Messerlänge	mm	48	48
Akku		BL2554	Nur das Gerät. (Kein Akku enthalten)
Spannung	V <sub>DC</sub>	54/18V DUALVOLT	
Kapazität	Ah	2,5	
Typ		Li-Ionen	
Ladegerät		BDC2A	Nur das Gerät. (Kein Ladegerät enthalten)
Eingangsspannung	V <sub>AC</sub>	220 - 240	
Ausgangsstrom	mA	2000mA	
Ungefähre Ladezeit	h.	3,75	

Gewichteter Hand-Arm-Vibrationswert:  
= 4,4 m/s<sup>2</sup>, Unsicherheitsfaktor (K) = 1,5 m/s<sup>2</sup>.

L<sub>w</sub> (Schalldruck) 83 dB(A)  
Unsicherheitsfaktor (K) = 2,5 dB(A)

**EU-Konformitätserklärung  
MASCHINENRICHTLINIE  
AUSSENLAUTSTÄRKERICHTLINIE**



CLM5448PC, CLM5448PCB Rasenmäher

Black & Decker erklärt, dass die in den technischen Daten beschriebenen Geräte übereinstimmen mit: 2006/42/EC, EN 60335-1:2012 + A11:2014, EN 60335-2-77:2010

2000/14/EG, Rasenmäher, L < 50 cm, Annex VI, DEKRA Certification B.V., Utrechtseweg 310, ED Arnhem Niederlande

Gemeldet unter ID-Nr.: 0344  
Schallpegel gemäß 2000/14/EG (Artikel 12, Anhang III, L < 50cm):

L<sub>wa</sub> (gemessene Schalleistung) 89,5 dB(A)  
Unsicherheitsfaktor (K) = 1,2 dB(A)  
L<sub>pa</sub> (garantierte Schalleistung) 96 dB(A)

Diese Produkte entsprechen außerdem den Richtlinien 2014/30/EU, 2011/65/EU. Weitere Informationen erhalten Sie von Black & Decker unter der folgenden Adresse. Diese befindet sich auch auf der Rückseite dieser Anleitung.

Umweltschutz



Getrennte Entsorgung. Produkte und Akkus mit diesem Symbol dürfen nicht mit dem normalen Hausmüll entsorgt werden.

Produkte und Akkus enthalten Materialien, die wiederverwertet werden können, um den Bedarf an Rohstoffen zu verringern. Bitte recyceln Sie elektrische Produkte und Akkus gemäß den örtlichen Bestimmungen. Weitere Informationen finden Sie auf [www.2helpU.com](http://www.2helpU.com)



Der Unterzeichnete ist verantwortlich für die Zusammenstellung der technischen Daten und gibt diese Erklärung im Namen von Black & Decker ab.



R. Laverick  
Director of Engineering  
Black & Decker Europe, 210 Bath Road, Slough,  
Berkshire, SL1 3YD  
Vereinigtes Königreich  
26.08.2016

### Garantie

Black & Decker vertraut auf die Qualität der eigenen Geräte und bietet dem Käufer eine außergewöhnliche Garantie von 24 Monaten ab Kaufdatum. Diese Garantie versteht sich unbeschadet der gesetzlichen Gewährleistungsansprüche und schränkt diese keinesfalls ein. Diese Garantie gilt innerhalb der Staatsgebiete der Mitgliedstaaten der Europäischen Union und der Europäischen Freihandelszone.

Zur Inanspruchnahme dieser Garantie muss sie den allgemeinen Geschäftsbedingungen von Black&Decker entsprechen und dem Verkäufer bzw. der Vertragswerkstatt ein Kaufnachweis vorzulegen. Die Bedingungen für die 2-jährige Garantie von Black&Decker und den Standort Ihrer nächstgelegenen Vertragswerkstatt finden Sie im Internet unter [www.2helpU.com](http://www.2helpU.com) oder indem Sie sich an die lokale Black&Decker-Niederlassung wenden, deren Adresse Sie in dieser Anleitung finden.

Ihr neues Black & Decker Produkt können Sie auf unserer Website unter [www.blackanddecker.de](http://www.blackanddecker.de) registrieren. Dort erhalten Sie auch Informationen über neue Produkte und Sonderangebote.

### Utilisation prévue

Votre tondeuse BLACK+DECKER CLM5448PC et CLM5448PCB a été conçue pour tondre l'herbe. Cet outil est destiné à un usage grand public uniquement.

### Consignes de sécurité

**Avertissement !** De simples précautions sont à prendre pour l'utilisation d'appareils sans fil. Les conseils suivants doivent toujours être appliqués afin de réduire le risque d'incendie, de choc électrique, de blessures et de dommages matériels.

**Avertissement !** Les consignes de sécurité doivent être respectées pendant l'utilisation.

Pour votre propre sécurité ainsi que celle des personnes présentes à proximité, lisez ces instructions avant d'utiliser la machine. Veuillez conserver les instructions pour pouvoir vous y référer dans le futur.

- ◆ Lisez attentivement l'intégralité de ce manuel avant d'utiliser l'appareil.
- ◆ Ce manuel décrit la manière d'utiliser cet appareil. L'utilisation d'un accessoire ou de cet appareil à d'autres fins que celles recommandées dans ce manuel d'instructions peut présenter un risque de blessures.
- ◆ Gardez ce manuel pour pouvoir vous y référer dans le futur.

### Utilisation de votre appareil

Prenez toutes les précautions nécessaires lorsque vous utilisez l'appareil.

- ◆ Cet appareil n'est pas destiné à être utilisé par des personnes jeunes ou déficientes sans surveillance.

- ◆ Cet appareil ne doit pas être utilisé comme un jouet.
- ◆ Ne laissez pas les enfants ou les animaux s'approcher de la zone de travail ou toucher l'appareil ou le cordon électrique.
- ◆ Une surveillance étroite est nécessaire lorsque la machine est utilisée près d'enfants.
- ◆ Il doit toujours être utilisé dans des endroits secs. Ne laissez pas l'appareil être mouillé.
- ◆ Ne plongez pas l'appareil dans l'eau.
- ◆ N'ouvrez pas le corps de la machine. Il n'existe aucune pièce réparable par l'utilisateur à l'intérieur.
- ◆ N'utilisez pas l'appareil dans des environnements explosifs, en présence de liquides, gaz ou poussières inflammables.
- ◆ Afin de réduire le risque d'endommagement des prises et des cordons électriques, ne débranchez jamais l'appareil en tirant sur le câble.
- ◆ Avant l'utilisation, inspectez toujours visuellement l'absence d'usure et de dommage sur la lame, le boulon de la lame et l'ensemble lame de coupe. Remplacez les lames et boulons usés ou endommagés afin de maintenir un équilibre.
- ◆ Afin d'éviter tout risque dû à la réinitialisation intempestive du fusible thermique, cette machine ne doit pas être alimentée par un dispositif de mise en marche externe, comme un minuteur par exemple et elle ne doit pas être raccordée à un circuit régulièrement

alimenté ou coupé par le circuit général.

- ◆ Ne faites jamais fonctionner la machine si des personnes, surtout des enfants ou des animaux, sont à proximité.
- ◆ Gardez à l'esprit que l'utilisateur est responsable des accidents ou des risques subis par autrui ou leurs biens.

### Avant utilisation

- ◆ Portez toujours des chaussures renforcées et des pantalons longs pour utiliser la machine. La machine ne doit pas être utilisée si vous portez des sandales ou si vous êtes pieds nus. Évitez de porter des vêtements amples ou avec des cordons ou encore une cravate.
- ◆ Vérifiez toujours la zone où la machine doit être utilisée et éliminez tous les éléments qui risqueraient d'être projetés par machine.
- ◆ Avant l'utilisation, inspectez toujours visuellement l'absence d'usure et de dommage sur la lame, le boulon de la lame et l'ensemble lame de coupe. Remplacez les composants usés ou endommagés afin de maintenir un équilibre. Remplacez les étiquettes endommagées ou illisibles.

### Après l'utilisation

- ◆ Quand il n'est pas utilisé, l'appareil doit être rangé dans un endroit suffisamment aéré, sec et hors de portée des enfants.

- ◆ Les enfants ne doivent pas avoir accès aux appareils rangés.
- ◆ Quand l'appareil est rangé ou transporté dans un véhicule, il doit être installé dans le coffre ou correctement calé afin d'éviter les mouvements dus aux changements de direction ou de vitesse.
- ◆ Ne transportez pas la machine si elle est alimentée
- ◆ Tenez fermement la poignée à deux mains lorsque la tondeuse est en marche.
- ◆ Si pour une raison quelconque, la tondeuse doit être inclinée, maintenez les deux mains en position sur la poignée pendant l'inclinaison. Gardez vos deux mains en position jusqu'à ce que la tondeuse soit à nouveau correctement posée au sol.

## Vérification et réparations

- ◆ Avant utilisation, vérifiez que les pièces de l'appareil sont en bon état. Contrôlez l'absence de pièces cassées, d'interrupteurs endommagés et toutes autres anomalies susceptibles de nuire au bon fonctionnement de l'appareil.
- ◆ N'utilisez pas l'appareil si une pièce est endommagée ou défectueuse.
- ◆ Faites réparer ou remplacer les pièces défectueuses ou endommagées par un réparateur agréé.
- ◆ Ne tentez jamais de retirer ou de remplacer des pièces autres que celles citées dans ce manuel.
- ◆ Prenez les précautions nécessaires pendant le réglage de la tondeuse afin de ne pas vous coincer les doigts entre les lames/pièces mobiles et les pièces fixes de la machine.
- ◆ Pendant l'entretien des lames, n'oubliez pas que même si l'alimentation est coupée, les lames peuvent encore tourner.
- ◆ Ne portez jamais d'écouteurs lorsque la tondeuse est en marche.
- ◆ N'essayez jamais de régler la hauteur de roues quand le moteur tourne ou quand la clé de sécurité est en place.
- ◆ Si la tondeuse cale, relâchez la barre de déclenchement pour arrêter la tondeuse, attendez que la lame s'arrête avant d'essayer de dégager l'accumulation d'herbe ou de nettoyer le dessous.
- ◆ Éloignez vos mains et vos pieds des zones de coupe.
- ◆ Gardez les lames bien affûtées. Portez toujours des gants de protection pour manipuler la lame de la tondeuse.
- ◆ Si vous utilisez le sac de récupération d'herbe, vérifiez régulièrement son état d'usure. Pour votre propre sécurité, remplacez le sac de récupération d'herbe par un neuf s'il est trop usé.
- ◆ Prenez toutes les précautions nécessaires quand vous retournez la tondeuse ou que vous la tirez vers vous.
- ◆ Ne posez pas les mains ou les pieds à côté ou sous la tondeuse.

## Consignes de sécurité supplémentaires relatives aux tondeuses

Gardez en permanence l'ouverture d'évacuation dégagée.

- ◆ Éliminez de la zone à tondre les cailloux, bâtons, câbles, jouets, os, etc. qui risqueraient d'être projetés par la lame.

Les objets coincés dans la lame peuvent provoquer des blessures graves. Restez derrière la tondeuse lorsque le moteur est en marche.

- ◆ Ne faites pas fonctionner la tondeuse pieds nus ou si vous portez des sandales. Portez toujours des chaussures fermées.
- ◆ N'utilisez la tondeuse en marche arrière qu'en cas de nécessité absolue. Regardez toujours au bas et derrière la tondeuse lorsque vous tondez en marche arrière.
- ◆ Ne dirigez jamais les éléments déchargés vers quiconque. Évitez de décharger contre un mur ou un endroit encombré.

Un effet de ricochet vers l'utilisateur est possible. Relâchez la barre de déclenchement pour arrêter la tondeuse et arrêter la lame quand vous passez sur une surface gravillonnée.

- ◆ N'utilisez jamais la tondeuse sans que le sac de récupération d'herbe, le cache de l'ouverture d'évacuation, la protection arrière et les autres dispositifs de sécurité soient en place et en bon état de fonctionnement. Vérifiez régulièrement tous les dispositifs de protection et de sécurité afin de vous assurer qu'ils fonctionnent correctement.

Si une protection ou un dispositif de sécurité est endommagé, remplacez-le avant de continuer.

- ◆ Ne laissez jamais une tondeuse tourner sans surveillance.
- ◆ Relâchez toujours la barre de déclenchement pour arrêter le moteur. Attendez que la lame soit complètement arrêtée et avant de nettoyer la tondeuse, de retirer le sac de récupération d'herbe, de désobstruer le cache de l'ouverture d'évacuation, lorsque vous quittez la tondeuse ou avant toute opération de réglage, réparation ou inspection.
- ◆ N'utilisez la tondeuse que de jour ou avec un bon éclairage artificiel. Les objets sur le chemin de la lame doivent être parfaitement visibles depuis la zone où la tondeuse est utilisée.
- ◆ Ne faites pas fonctionner la tondeuse si vous êtes sous l'influence d'alcool ou de drogues ou si vous êtes fatigué ou malade. Restez toujours vigilant, restez concentré sur ce que vous faites et gardez votre bon sens.
- ◆ Évitez les environnements dangereux. N'utilisez jamais la tondeuse quand l'herbe est humide ou sous la pluie. Assurez-vous de garder l'équilibre, marchez, ne courez pas.
- ◆ Si la tondeuse commence à vibrer de façon anormale, relâchez la barre de déclenchement, attendez que la lame s'arrête avant d'immédiatement rechercher d'où vient le problème.

Les vibrations servent généralement d'avertissement, consultez le guide de dépannage pour obtenir des conseils en cas de vibrations anormales.

- ◆ Portez toujours des protections oculaires et respiratoires adaptées lorsque vous utilisez la tondeuse.
- ◆ L'utilisation d'accessoires non recommandés pour cette tondeuse peut être dangereuse. N'utilisez que des accessoires homologués par BLACK+DECKER.
- ◆ Ne présumez pas de vos forces lorsque vous utilisez la tondeuse. Gardez toujours une position stable et équilibrée.
- ◆ Tondez perpendiculairement aux pentes, jamais dans le sens de la pente. Prenez toutes les précautions nécessaires quand vous changez de direction en pente.
- ◆ Faites attention aux trous, ornières, bosses, pierres ou autres objets cachés.  
Un terrain irrégulier peut provoquer des risques de glissement et de chute. L'herbe haute peut masquer les obstacles.
- ◆ Ne tondez pas sur l'herbe mouillée ou sur des pentes excessivement raides. Un mauvais équilibre peut conduire à glisser et à tomber.
- ◆ Ne tondez pas près de zones de ravins, de fossés ou de remblais. Vous pourriez perdre l'équilibre.
- ◆ Laissez toujours la tondeuse refroidir avant de la ranger.

Retirez la prise de la prise murale et retirez la batterie de la machine. Assurez-vous que toutes les pièces mobiles sont à l'arrêt :

- ◆ dès que vous quittez la machine ;
- ◆ avant d'éliminer un blocage ;
- ◆ Avant de vérifier, nettoyer ou réparer la machine.

## Sécurité des personnes

- ◆ Cet appareil n'est pas conçu pour être utilisé par des personnes (y compris des enfants) aux capacités physiques, sensorielles ou intellectuelles réduites ou sans expérience ni connaissances, à moins qu'elles ne soient sous surveillance ou qu'elles aient été informées sur la façon sûre d'utiliser l'appareil, par une personne responsable de leur sécurité.
- ◆ Pour éviter que les enfants ne jouent avec cet appareil, ne les laissez jamais sans surveillance.
- ◆ Après avoir heurté un corps étranger. Vérifiez l'absence de dommage sur la machine et faites effectuer les réparations le cas échéant ;

## Risques résiduels.

Certains risques résiduels autres que ceux mentionnés dans les avertissements sur la sécurité peuvent survenir en utilisant l'appareil. Ces risques peuvent être provoqués par une utilisation incorrecte, prolongée, etc.

Malgré l'application des normes de sécurité pertinentes et la présence de dispositifs de sécurité, certains risques résiduels ne peuvent pas être évités. Ils comprennent :

- ◆ Les blessures provoquées par le contact avec les pièces rotatives/mobiles.
- ◆ Les blessures provoquées pendant le remplacement de pièces, de lames ou d'accessoires.
- ◆ Les blessures dues à l'utilisation prolongée d'un outil. Lorsque l'outil est utilisé pendant de longues périodes, assurez-vous de faire des pauses régulières.
- ◆ La diminution de l'acuité auditive.
- ◆ Les risques pour la santé provoqués par l'inhalation des poussières générées pendant l'utilisation de votre outil (exemple : travail avec du bois, surtout le chêne, le hêtre et les panneaux en MDF)
- ◆ S'il est inévitable de faire fonctionner l'appareil dans un endroit humide, utilisez un disjoncteur différentiel à courant résiduel dont le courant de déclenchement n'excède pas 30 mA. L'utilisation d'un disjoncteur différentiel réduit le risque de choc électrique.
- ◆ Ne soulevez et ne transportez jamais la machine si le moteur est en marche.

## Symboles d'avertissement

Les pictogrammes qui suivent figurent sur l'outil avec le code date :



Avertissement ! Lisez le manuel avant la mise en marche.



Faites attention aux lames tranchantes. Les lames continuent de tourner juste après l'extinction du moteur.

Retirez les dispositifs de désactivation avant de procéder à l'entretien ou si le cordon est endommagé.



Faites attention aux projections d'objets. Éloignez toute personne de la zone de tonte.



Portez une protection oculaire



Les lames continuent à tourner après l'arrêt de la machine.



Puissance sonore garantie conforme à la Directive 2000/14/CE.

## Consignes de sécurité supplémentaires concernant les batteries et les chargeurs

### Batteries

- ◆ Ne tentez jamais et sous aucun prétexte de les ouvrir.
- ◆ N'exposez pas les batteries à l'eau.
- ◆ N'exposez pas les batteries à la chaleur.
- ◆ Ne les stockez pas dans des endroits où la température peut dépasser 40°C.
- ◆ Ne les rechargez qu'à une température ambiante comprise entre 10°C et 40°C.

- ◆ Ne les rechargez qu'avec le chargeur fourni avec l'appareil/outil. L'utilisation d'un chargeur inadapté peut conduire à un choc électrique ou à la surchauffe de la batterie.
- ◆ Lors de la mise au rebut des batteries, respectez les instructions données dans la section "Protection de l'environnement".
- ◆ Ne déformez/n'endommagez pas le bloc-batterie en le perçant ou en le cognant, cela pourrait conduire à des blessures et à un incendie.
- ◆ Ne rechargez pas des batteries endommagées.
- ◆ Dans des conditions extrêmes, une batterie peut fuir. Si vous détectez une fuite, utilisez un chiffon pour essuyer le liquide avec précaution. Évitez tout contact avec la peau.
- ◆ En cas de contact avec la peau ou les yeux, suivez les instructions ci-dessous.

**Avvertissement !** Le liquide de batterie peut provoquer des blessures ou des dommages. En cas de contact avec la peau, rincez immédiatement à l'eau. Si des rougeurs, une douleur ou une irritation se produisent, consultez un médecin. En cas de contact avec les yeux, rincez immédiatement à l'eau et consultez un médecin.



N'essayez pas de recharger des batteries endommagées

## Chargeur

Votre chargeur a été conçu pour une tension spécifique.

Vérifiez toujours que la tension du réseau électrique correspond à la tension figurant sur la plaque signalétique.

**Avvertissement !** N'essayez jamais de remplacer le chargeur par une prise secteur ordinaire.

- ◆ N'utilisez votre chargeur BLACK+DECKER que pour charger la batterie de la machine. avec laquelle il a été livré. D'autres batteries pourraient exploser et provoquer des blessures et des dommages.
- ◆ Ne tentez jamais de recharger des piles non rechargeables.
- ◆ Si le câble d'alimentation est endommagé, il doit être remplacé par le fabricant ou par réparateur BLACK+DECKER agréé afin d'éviter tout risque.
- ◆ N'exposez pas le chargeur à l'eau.
- ◆ N'ouvrez pas le chargeur.
- ◆ Ne sondez pas le chargeur.
- ◆ Pendant la charge, l'appareil/l'outil/la batterie doivent être placés dans un endroit bien aéré.



Le chargeur est conçu pour être exclusivement utilisé à l'intérieur.



Lisez le manuel d'utilisation avant de l'utiliser.

**Important :** Il n'y a que les chargeurs suivants qui doivent être utilisés avec les batteries 54V BL1554 et BL2554 : 90589867, 90621477, 90590287-01, 90590289-01, 90602042-01, 90590287-02, 90590289-02, 90599854-02, 90599854-06, 90599853-05, 90634971,

90634972, 90634973, 90642266,  
90642264, 90642265, BDC2A

## Sécurité électrique



Votre chargeur dispose d'une double isolation ;  
Aucun fil de terre n'est donc nécessaire.

Vérifiez toujours que la tension du réseau électrique correspond à la tension figurant sur la plaque signalétique. N'essayez jamais de remplacer le chargeur par une prise de courant ordinaire.

- ◆ Si le cordon d'alimentation est endommagé, il doit être remplacé par le fabricant ou un centre d'assistance BLACK+DECKER agréé afin d'éviter tout risque.

## Caractéristiques

Cet appareil présente tout ou partie des caractéristiques suivantes.

1. Boîtier de commutation
2. Poignée de déclenchement
3. Poignée supérieure
4. Poignée inférieure
5. Leviers de fixation de la poignée supérieure (2)
6. Leviers de fixation de la poignée inférieure (2)
7. Levier de réglage de la hauteur de coupe
8. Sac de récupération d'herbe
9. Cache de l'ouverture arrière
10. Tableau de bord
11. Interrupteur Batterie POWERCOMMAND
12. Couvercle du logement de la batterie
13. Poignées de transport
14. EdgeMax™

## Procédure de charge

Les chargeurs BLACK+DECKER sont conçus pour recharger les blocs-batteries BLACK+DECKER.

- ◆ Branchez le chargeur dans une prise appropriée avant d'insérer le bloc-batterie.
- ◆ Insérez le bloc-batterie dans le chargeur.



Le voyant vert clignote pour indiquer que la batterie est en charge



La fin de la charge est indiquée par le voyant rouge restant fixe en continu. Le bloc est alors complètement rechargé et il peut soit être utilisé, soit être laissé dans le chargeur

**Avvertissement !** Rechargez les batteries déchargées dès que possible après utilisation pour ne pas grandement diminuer leur durée de vie.

## Diagnostique du chargeur

Ce chargeur est conçu pour détecter certains problèmes qui peuvent survenir avec les blocs-batteries ou les sources d'alimentation. Les problèmes sont signalés par un voyant clignotant de différentes manières.

## Mauvaise batterie



Le chargeur peut détecter une batterie faible ou endommagée.

Le voyant rouge clignote de la façon indiquée sur l'étiquette. Arrêtez la charge de la batterie si vous voyez ce motif clignoté indiquant que la batterie est défectueuse. Renvoyez-la dans un centre d'assistance ou un site de collecte pour recyclage

## Délai Bloc Chaud/Froid



Lorsque le chargeur détecte que la batterie est trop chaude ou trop froide, il démarre automatiquement un délai Bloc Chaud/Froid, suspendant la charge jusqu'à ce que la batterie se stabilise.

Après cela, le chargeur passe automatiquement en mode Charge Bloc. Cette fonctionnalité garantit la durée de vie maximale de la batterie. Le voyant rouge clignote de la façon indiquée sur l'étiquette lorsque le délai Bloc Chaud/Froid est détecté

## Remarques importantes sur la charge

- ◆ Une durée de vie plus longue et de meilleures performances peuvent être obtenues si le bloc-batterie est rechargé lorsque la température de l'air est comprise entre 16° et 27°C (60°F et 80°F).
- ◆ NE rechargez PAS le bloc-batterie à une température ambiante inférieure à +4,5°C (+40°F) ou supérieure à +40,5°C (+105°F). Ce point est important et évite de graves dommages au bloc-batterie.
- ◆ Le chargeur et le bloc-batterie peuvent devenir chauds au toucher pendant la charge. Ceci est normal et n'indique pas un problème. Afin de faciliter le refroidissement du bloc-batterie après utilisation, évitez de placer le chargeur ou le bloc-batterie dans un environnement chaud comme une remise métallique ou une remorque non isolée.
- ◆ Si le bloc-batterie ne se recharge pas correctement :
  - ◆ Vérifiez le courant au niveau de la prise murale en branchant une lampe ou un autre appareil
  - ◆ Vérifiez que la prise de courant n'est pas reliée à un interrupteur coupant l'alimentation lorsqu'on éteint l'éclairage.



- ◆ Déplacez le chargeur et le bloc-batterie dans un endroit où la température ambiante est comprise entre 16°C et 27°C (60°F - 80°F).
- ◆ Si les problèmes de charge persistent, apportez l'outil, le bloc-batterie et le chargeur à votre centre d'assistance local.
- ◆ Le bloc-batterie doit être rechargé lorsqu'il ne parvient plus à fournir la puissance nécessaire aux opérations qui étaient facilement réalisées auparavant. Cessez d'utiliser l'outil dans ces conditions. Respectez la procédure de charge. Vous pouvez également charger un bloc déjà utilisé si vous le souhaitez, sans que cela n'affecte le bloc-batterie.
- ◆ Les corps étrangers de nature conductrice tels que, notamment, la laine d'acier, le papier aluminium ou toute accumulation de particules métalliques, doivent être tenus éloignés des cavités du chargeur. Débranchez toujours le chargeur de la prise lorsqu'il n'y a pas de pack batterie dans la cavité. Débranchez le chargeur avant de le nettoyer.
- ◆ Ne congelez pas le chargeur et ne l'immergez pas dans l'eau ou dans tout autre liquide.

**Avvertissement ! Ne laissez aucun liquide pénétrer dans le chargeur.**

**NE TENTEZ JAMAIS SOUS AUCUN PRÉTEXTE D'OUVRIRE LE BLOC-BATTERIE. SI LE CORPS EN PLASTIQUE DU BLOC-BATTERIE SE CASSE OU SE FISSURE, RETOURNEZ-LE À UN CENTRE D'ASSISTANCE POUR QU'IL Y SOIT RECYCLÉ.**

### Voyant d'état de charge de la batterie

La batterie est équipée d'un voyant d'état de charge. Il permet d'afficher le niveau de charge actuel de la batterie pendant qu'elle est dans la tondeuse et pendant la charge. Il n'indique pas la fonctionnalité de l'outil et peut être sujet à des variations en fonction des composants du produit, de la température et de l'application de l'utilisateur final.

### Vérification de l'état de charge :

- ◆ Appuyez sur le bouton d'état de charge (A1).
- ◆ Les trois voyants (A2) s'allument pour indiquer le pourcentage de charge de la batterie. Voir le tableau de la figure A.
- ◆ Si les voyants ne s'allument pas, rechargez la batterie.

### Installation et retrait des blocs-batteries

**Avvertissement !** Assurez-vous que la clé de sécurité est retirée afin d'éviter la mise en marche, avant de retirer ou d'installer la batterie.

### Pour installer le bloc-batterie :

- ◆ Soulevez le cache du logement de la batterie (12) pour découvrir le logement de la batterie (15).
- ◆ Glissez la batterie (16) dans le logement jusqu'à qu'elle soit bien en place et que vous entendiez le clic (figure B). Assurez-vous que le bloc-batterie est bien en place et correctement verrouillé. Répéter la procédure dans le deuxième logement de batterie.
- ◆ Fermez le cache du logement de batterie.

Assurez-vous que le cache est bien verrouillé avant de démarrer la tondeuse.

### Pour retirer les blocs-batteries :

- ◆ Ouvrez le cache du logement de la batterie (12), comme décrit ci-dessus.
- ◆ Appuyez sur le bouton de libération de la batterie (16a) sur le bloc-batterie et tirez sur le bloc-batterie pour le sortir de l'outil comme illustré par la figure C.

### Sélection bloc-batterie POWERCOMMAND

**Avvertissement !** Assurez-vous que la clé de sécurité est retirée afin d'éviter la mise en marche, avant de sélectionner la batterie active.

La tondeuse est équipée d'un bouton de sélection de batterie POWERCOMMAND (11). Il est utilisé pour allonger la durée de fonctionnement. Appuyez sur le bouton de sélection de batterie (figure D) sur la gauche ou la droite.

- ◆ Le côté marqué "1" active le logement de batterie gauche.
- ◆ Le côté marqué "2" active le logement de batterie droit.

**Remarque :** La tondeuse peut être utilisée avec un seul bloc-batterie si l'interrupteur est dans la bonne position.

### Batterie active, voyants d'état de charge

**Remarque :** L'état de la charge n'est indiqué que si un bloc-batterie est inséré ou lorsque la tondeuse est allumée ou lorsqu'une seule batterie est présente et que l'interrupteur est basculé pour mettre la tondeuse en marche.

Cette tondeuse est équipée d'un voyant d'état de charge situé à la base du tableau de bord (10). Il est utilisé pour afficher le logement de batterie actif et le niveau de charge actuel de la batterie active. Lorsqu'un bloc-batterie est installé dans les logements de batterie, les trois voyants de niveau de charge s'allument pendant 3 secondes avant de s'éteindre, pour indiquer le niveau de charge actuel de la batterie. Pendant l'utilisation de la tondeuse, le niveau de charge actuel pour la batterie active sélectionnée est affiché.

- ◆ À la première mise en marche de la tondeuse, tous les voyants du tableau de bord (10) s'allument brièvement.
- ◆ Les voyants du tableau du côté de la batterie inactive s'éteignent.
- ◆ Les voyants du tableau de bord du côté de la batterie active (17) restent allumés et les trois voyants de niveau de charge (18) indiquent le pourcentage de charge de la batterie. (Voir le tableau de la figure A.)
- ◆ Si aucun voyant ne s'allument pour la batterie active, basculez le bouton de sélection de la batterie (11) vers la batterie inactive. Si aucun voyant ne s'allume, rechargez la batterie.

**Remarque :** La clé de sécurité doit être insérée pour que tous les voyants et les fonctions de commutation se comportent comme indiqué.

### Bloc-Batterie DUALVOLT 54V (Fig C1)

Le bloc-batterie Dualvolt 54V peut être utilisé dans les outils sans fil Black+Decker 54V et 18 V.

La batterie peut reconnaître l'outil dans lequel elle est insérée et fonctionner à la puissance adaptée et augmenter sa durée de fonctionnement dans les outils 18V. Le bouton d'état de charge (16b) indique le niveau de charge à la fois à 54V et 18V.

## Assemblage

**Avertissement !** Avant l'assemblage, assurez-vous que la barre de déclenchement est relâchée et que la clé de sécurité est retirée.

### Installation de la poignée inférieure

- ◆ Soulevez la poignée inférieure (4) en place en veillant à ce que la flèche (19) à la base de la tondeuse s'aligne avec le chiffre 1, 2 ou 3 à la base de la poignée (20) (agrandissement de la figure F).

**Remarque !** Assurez-vous que chaque côté de la poignée inférieure est réglé sur le même chiffre. La flèche doit être alignée sur le 1 ou 2 pour le bon fonctionnement.

- ◆ Fermez les leviers de réglage de hauteur de la poignée (6) comme illustré par la figure F. En refermant chaque levier, assurez-vous que les dents sont bien engagées comme illustré par la figure G.
- ◆ Si la jonction entre la poignée et le levier est trop ou trop peu serrée, ouvrez le levier et réglez sa profondeur en le tournant. Refermez-le jusqu'à ce que les dents soient entièrement enserrées et que chaque levier soit fermé de façon sûre.

### Fixation de la poignée supérieure (fig. H)

La poignée supérieure dispose de trois trous de montage (21) pour régler la longueur de la poignée par rapport au plateau de coupe. Le premier jeu de trous au bas du tube de la poignée supérieure permet le réglage le plus long. L'utilisation de la position centrale et de la position du haut raccourcit la longueur de la poignée

- ◆ Retirez les leviers de fixation de la poignée supérieure (5), les écrous (22) et les rondelles (23) de la poignée.
- ◆ Alignez les trous au bas de la poignée supérieure (3) avec ceux en haut de la poignée inférieure (4).

**Remarque :** Assurez-vous que le cordon se trouve devant les deux poignées comme illustré par la figure I. Le cordon pourrait sinon être emmêlé et compliquer le rangement de la tondeuse.

- ◆ Depuis l'extérieur de la poignée supérieure (3), glissez le boulon du levier dans les trous.
- ◆ Glissez la rondelle sur le boulon du levier et fixez l'ensemble avec l'écrou sans serrer complètement.
- ◆ Tournez la poignée supérieure dans sa position de fonctionnement.
- ◆ Fermez le levier. S'il est trop ou trop peu serré, ouvrez le levier et l'écrou pour régler la fixation. Contrôlez les leviers en les fermant.

Ils doivent être suffisamment serrés pour que les poignées tiennent fermement mais pas trop pour pouvoir les fermer complètement. Effectuez leur réglage en ouvrant les leviers et en tournant l'écrou jusqu'à ce que les poignées soit fixées.

### Fixation du câble moteur (fig. I)

**Avertissement !** Fixez le câble de façon qu'il ne soit pas étiré ou pincé par les jointures des poignées pendant l'utilisation ou le pliage. Cela pourrait sinon l'endommager.

Le câble moteur doit être fixé aux poignées à l'aide des serre-câbles déjà fixés sur la poignée.

Pour fixer le câble sur la poignée :

- ◆ Placez les poignées en position de fonctionnement, voir la section "Fixation de la poignée inférieure".
- ◆ Faites courir le câble vers le haut à l'avant des poignées inférieure et supérieure.
- ◆ Tirez le serre-câble vers l'arrière.
- ◆ Glissez le câble moteur sous le clip et assurez-vous qu'il est parfaitement maintenu par le serre-câble.

### Mise en place du sac de récupération

**Avertissement !** Retirez la clé et les blocs-batteries avant de retirer l'accessoire d'éjection latérale et l'insert de paillage et pour ouvrir le cache de l'ouverture arrière et installer le sac.

- ◆ Assurez-vous d'avoir retiré l'accessoire d'éjection latérale (26) (figure M) et l'insert pour le paillage (27) (figure L) de la tondeuse avant d'installer le sac.
- ◆ Soulevez le cache de l'ouverture arrière (9) et placez le sac de récupération d'herbe (8) sur la tondeuse de façon que les crochets du sac (28) reposent sur les ergots (29) comme illustré par la figure K. Abaissez ensuite le cache de l'ouverture arrière.

### Paillage

**Avertissement !** Retirez la clé et les blocs-batteries avant de retirer l'accessoire d'éjection latérale et le sac de récupération d'herbe et pour installer l'insert de paillage.

- ◆ Assurez-vous que l'accessoire de décharge latérale (26) et le sac de récupération d'herbe (8) ne sont pas en place.
- ◆ Soulevez le cache de l'ouverture arrière (9) et glissez l'insert de paillage (27) complètement dans la tondeuse comme illustré par la figure L.
- ◆ Assurez-vous que le cache de l'ouverture arrière est parfaitement refermé avant de démarrer la tondeuse.

### Éjection latérale

**Avertissement !** Retirez la clé et les blocs-batteries avant de retirer le sac de récupération d'herbe et pour installer l'insert de paillage et l'accessoire d'éjection latérale.

- ◆ Assurez-vous d'avoir retiré le sac de récupération d'herbe (8).

- ◆ Soulevez le clapet arrière (9) et glissez l'insert de paillage (27) complètement dans la tondeuse comme illustré par la figure L.
- ◆ Soulevez le clapet latéral (30) et accrochez l'accessoire de d'éjection latérale (26) sur la tondeuse comme illustré par la figure M.
- ◆ Relâchez le clapet latéral et assurez-vous que l'accessoire tient en place avant de démarrer la tondeuse, comme illustré par la figure M.

## Fonctionnement

Lisez ce manuel d'utilisation avant d'utiliser votre tondeuse. Consultez la section "Caractéristiques" pour vous familiariser avec l'emplacement des commandes et des dispositifs de réglage. Conservez ce manuel pour pouvoir le consulter lors de prochaines utilisations.

**Avertissement !** Laissez la tondeuse fonctionner à son propre rythme. Ne la poussez pas au-delà de ses limites.

**Avertissement !** Lames aiguisées en mouvement. Ne faites pas fonctionner la tondeuse en mode Éjection latérale ou Paillage si l'ouverture arrière n'est pas correctement fermée par la tension du ressort. De graves blessures pourraient sinon en résulter. Déposez votre tondeuse dans le centre de réparation le plus proche.

## Réglage de la hauteur de la poignée (fig. N)

- ◆ Ouvrez les deux leviers de fixation de la poignée inférieure (6).
- ◆ Réglez la poignée de façon que la flèche (19) à la base de la tondeuse s'aligne avec le chiffre 1 ou 2 à la base de la poignée (20). Assurez-vous que la poignée est réglée sur le même chiffre des deux côtés de la tondeuse.
- ◆ Fermez les deux leviers et assurez-vous que la poignée est fermement fixée et que les dents sont correctement engagées comme illustré par l'agrandissement d'image.

## Réglage de la hauteur de la tondeuse (fig. O)

La hauteur de coupe peut être réglée grâce au levier de réglage de hauteur de coupe central. Il existe 7 positions au choix.

**Remarque :** Si vous n'êtes pas sûr de la hauteur à choisir, commencez à tondre avec le levier de réglage de hauteur (7) à la position 7 et abaissez la hauteur selon le besoin, comme indiqué sur la figure O.

Pour régler la hauteur de coupe :

- ◆ Sortez le levier de réglage de hauteur de la tondeuse (7) hors de l'encoche de verrouillage (31).
- ◆ Déplacez le levier vers l'arrière de la tondeuse pour augmenter la hauteur de coupe.
- ◆ Déplacez le levier vers l'avant de la tondeuse pour diminuer la hauteur de coupe.
- ◆ Poussez le levier de réglage de hauteur dans l'une des sept encoches de verrouillage.

## Clé de sécurité

Afin d'empêcher le démarrage accidentel de votre tondeuse sans fil et son utilisation par des personnes non autorisées, une clé de sécurité amovible (32) y a été ajoutée. La tondeuse est complètement désactivée lorsque la clé est retirée de la tondeuse.

**Remarque :** La clé de sécurité est trouée au centre pour permettre de l'accrocher à un clou, hors de portée des enfants. Ne laissez pas la clé sur la tondeuse.

**Avertissement !** Les lames en mouvement peuvent provoquer de graves blessures. Afin d'éviter les blessures graves, retirez la clé de sécurité si la tondeuse est sans surveillance ou pendant la charge, le nettoyage, les réparations, le transport, le soulèvement ou le stockage.

## Démarez la tondeuse

**Avertissement !** Lames aiguisées en mouvement. Ne tentez jamais de shunter le fonctionnement du boîtier de commutation. De graves blessures pourraient sinon en résulter.

**Remarque :** La tondeuse est opérationnelle lorsque la batterie et la clé de sécurité sont en place.

- ◆ Insérez la clé de sécurité (32) dans le logement de l'interrupteur (1) jusqu'à ce qu'elle soit bien en place, comme illustré par la figure P. La tondeuse est alors opérationnelle.
- ◆ Votre tondeuse est équipée d'un boîtier de commutation Marche/Arrêt spécial. Pour faire fonctionner la tondeuse, enfoncez le bouton (33) sur le boîtier de commutation (1), puis enfoncez la poignée de déclenchement (2) comme illustré par la figure Q. Vous pouvez relâcher le bouton une fois la tondeuse démarrée.
- ◆ Pour éteindre la tondeuse, vous n'avez qu'à relâcher la poignée de déclenchement.

**Avertissement !** N'essayez jamais de bloquer l'interrupteur ou la poignée de déclenchement (2) en position Marche.

**Remarque :** Quand la poignée de déclenchement retourne à sa position d'origine, elle active le mécanisme de freinage automatique. Le moteur est électriquement freiné et la lame de la tondeuse s'arrête de tourner en 3 secondes ou moins.

## Sollicitation excessive de la tondeuse

Afin d'éviter l'endommagement dû à une sollicitation excessive de la tondeuse, ne tentez pas de tondre trop d'herbe à la fois. Ralentissez la cadence de tonte ou augmentez la hauteur de coupe.

## EdgeMax™

Le dispositif EdgeMax™ (14) permet de couper l'herbe sur le bord d'un mur ou d'une clôture (fig. R1).

Le dispositif EdgeMax™ permet de couper la bordure de votre pelouse avec précision (fig. R2).

- ◆ La tondeuse parallèle à la bordure de votre pelouse, poussez-la le long du bord.

Assurez-vous que le dispositif EdgeMax™ se trouve légèrement au dessus du bord de votre pelouse (fig. R2).

**Remarque :** Si l'accessoire d'éjection latérale est en place, le dispositif EdgeMax™ ne peut être utilisé que du côté gauche de la tondeuse.

## Rangement

**Avertissement !** La lame en mouvement peut provoquer de graves blessures. Relâchez la poignée de déclenchement (2) pour arrêter la tondeuse, retirez la clé de sécurité et la batterie avant de soulever, transporter ou ranger la tondeuse. Rangez la tondeuse dans un endroit sec.

**Avertissement !** Afin d'éviter tout pincement, gardez vos doigts éloignés de la zone entre les poignées lorsque vous les abaissez.

**Avertissement !** Assurez-vous que le câble n'est pas étiré ou pincé par les jointures des poignées pendant le pliage. Cela pourrait sinon l'endommager.

La poignée de la tondeuse peut être facilement repliée pour faciliter le rangement.

- ◆ En tenant la poignée, ouvrez sans les retirer, les leviers de fixation de la poignée inférieure (6) et repliez la poignée vers l'avant de la tondeuse, comme illustré par la figure S.
- ◆ Réglez la poignée de façon que la flèche (19) à la base de la tondeuse s'aligne avec le "S" (20). Assurez-vous que la poignée est réglée de la même manière des deux côtés de la tondeuse.
- ◆ Refermez les deux leviers et assurez-vous que la poignée est fermement verrouillée.
- ◆ Ouvrez sans les retirer les leviers de fixation de la poignée supérieure (5) et repliez la poignée (3) par-dessus la poignée inférieure (4), comme illustré par la figure T.
- ◆ La tondeuse doit alors être repliée, comme illustré par la figure U.

## Transport de la tondeuse

- ◆ La tondeuse peut être portée à l'aide des poignées de transport (13) comme illustré par la figure V. NE TENTEZ PAS de soulever la tondeuse en l'attrapant par la poignée supérieure (3) ou la poignée inférieure (4).

## Conseils concernant la tonte

**Avertissement !** Vérifiez toujours la zone d'utilisation de la tondeuse et retirez tous les cailloux, bâtons, câbles, os et autres débris qui risqueraient d'être projetés par la lame en mouvement.

**Avertissement !** Ne tondez jamais face à une pente, jamais de haut en bas. Prenez toutes les précautions nécessaires quand vous changez de direction en pente. Ne tondez pas sur des pentes trop raides. Assurez-vous de toujours garder l'équilibre.

- ◆ Relâchez la poignée de déclenchement pour arrêter la tondeuse quand vous passez sur une surface gravillonnée (des cailloux peuvent être projetés par la lame).
- ◆ Réglez la tondeuse à la plus haute hauteur de coupe quand la surface est accidentée ou que l'herbe est haute. La tonte d'une trop grande quantité d'herbe à la fois peut provoquer la surcharge du moteur et entraîner l'arrêt de la tondeuse. Consultez le guide de dépannage.
- ◆ Si le sac de récupération d'herbe (8) est utilisé pendant la saison de pousse rapide de l'herbe, l'herbe peut avoir tendance à s'accumuler au niveau de l'ouverture d'éjection. Relâchez la poignée de déclenchement pour arrêter la tondeuse et retirez la clé de sécurité. Retirez le sac de récupération d'herbe et faites tomber l'herbe en secouant le fond du sac. Nettoyez également l'herbe ou les débris accumulés autour de l'ouverture d'évacuation. Remplacez le sac de récupération d'herbe.
- ◆ Si la tondeuse se met à vibrer de façon anormale, relâchez la poignée de déclenchement pour l'arrêter et retirez la clé de sécurité. Vérifiez immédiatement la cause de ces vibrations. Les vibrations servent généralement d'avertissement. Ne réutilisez pas la tondeuse avant qu'elle ait été révisée. Consultez le guide de dépannage du manuel.
- ◆ Relâchez toujours la poignée de déclenchement pour arrêter la tondeuse et retirez la clé de sécurité si vous devez laisser la tondeuse sans surveillance même pour un court instant.

## Conseils pour optimiser les performances

- ◆ Ralentissez dans les zones où l'herbe est particulièrement haute ou épaisse.
- ◆ Évitez de tondre si l'herbe est mouillée par la pluie ou la rosée.
- ◆ Tondez régulièrement votre pelouse, en particulier pendant les périodes de croissance rapide.

**Remarque :** Il est recommandé de recharger votre tondeuse après chaque utilisation pour prolonger la durée de vie de la batterie. La recharge fréquente n'endommage pas votre batterie et vous permet d'être sûr que la batterie est complètement rechargée et prête pour la prochaine utilisation. Le fait de ranger la batterie alors qu'elle n'est pas complètement pleine raccourcit sa durée de vie.

## Retrait et installation de la lame

**Avertissement !** Lorsque vous assemblez le système de lame, assurez-vous que chaque pièce est à la bonne place, comme décrit ci-dessous.

Le mauvais assemblage de la lame et des autres pièces du système peut provoquer de graves blessures.

**Avertissement !** Relâchez la poignée de déclenchement pour arrêter la tondeuse, attendez que la lame soit arrêtée et débranchez la tondeuse.

- ◆ Découpez un morceau de bois de 2 x 4 (34) (long d'environ 610 mm) pour empêcher la lame de tourner pendant le retrait du boulon (35).
- ◆ Portez toujours des gants et des lunettes de protection.
- ◆ Couchez la tondeuse sur le côté. Faites attention aux bords aiguisés de la lame. Installez le morceau de bois et dévissez le boulon à l'aide d'une clé 13 mm (36), comme illustré par la figure W.
- ◆ Notez l'emplacement et le sens de chaque pièce au moment de leur démontage. Retirez le boulon (35) et la rondelle (37). Sortez la lame (38) comme illustré par la figure X. Le ventilateur (39) ne doit pas être retiré. Contrôlez l'absence de dommage sur toutes les pièces et remplacez-les si nécessaire.
- ◆ La lame ne peut être fixée au ventilateur que dans un sens. Pour effectuer le ré-assemblage, alignez le trou en forme de D sur la lame avec la tige en forme de D sur le ventilateur en vous assurant que les écritures sur la lame pointent vers l'extérieur de la tondeuse.
- ◆ Pour pouvoir fixer l'ensemble, installez le morceau de bois comme illustré par la figure Y pour empêcher la lame de tourner. Glissez le boulon par la rondelle et serrez-le dans le sens des aiguilles d'une montre à l'aide d'une clé de 13 mm (36), comme illustré par la figure Y.

### Affûtage de la lame

Pour des performances optimales, maintenez la lame affûtée. Une lame émoussée ne peut pas couper l'herbe de façon nette. Utilisez une protection oculaire adaptée pour retirer, affûter et installer la lame. Assurez-vous d'avoir retiré la clé de sécurité et le bloc-batterie.

L'affûtage de la lame deux fois pendant la saison de tonte suffit généralement si les conditions sont normales.

Le sable use rapidement la lame. Si le sol est sablonneux, il faut l'affûter plus fréquemment.

**Remarque :** Remplacez immédiatement la lame si elle est tordue ou endommagée.

Lorsque vous affûtez la lame :

- ◆ Assurez-vous que la lame reste bien équilibrée.
- ◆ Affûtez la lame selon son angle de coupe d'origine.
- ◆ Affûtez les bords de coupe des deux côtés de la lame, en retirant la même quantité de matière des deux côtés.

### Pour affûter une lame dans un étau (fig. V)

- ◆ Assurez-vous que la poignée de déclenchement est relâchée, que la lame est arrêtée et que la tondeuse est débranchée avant de retirer la lame.
- ◆ Retirez la lame de la tondeuse. Consultez les instructions pour le retrait et l'installation de la lame.
- ◆ Sécurisez la lame (38) dans un étau (40).
- ◆ Portez une protection oculaire adaptée et des gants et faites attention à ne pas vous couper.

Limez soigneusement les bords de coupe de la lame avec une lime à dents fines (41) ou une pierre à aiguiser, en gardant l'angle du bord de coupe d'origine. Contrôlez l'équilibrage de la lame. Consultez les instructions pour l'équilibrage de la lame.

- ◆ Réinstallez la lame sur la tondeuse et fixez-la fermement.

### Équilibrage de la lame

Vérifiez l'équilibre de la lame (38) en plaçant le trou central de la lame sur un clou ou un tournevis rond serré horizontalement dans un étau. Si l'une des extrémités de la lame tourne vers le bas, limez le long du bord tranchant de cette extrémité tombante. La lame est correctement équilibrée si aucun côté ne tombe.

### Lubrification

Aucune lubrification n'est nécessaire. Ne graissez pas les roues. Les surfaces de roulement sont en plastique, il n'est donc pas nécessaire de les graisser.

### Nettoyage

Relâchez la poignée de déclenchement (2) pour arrêter la tondeuse, laissez la lame s'arrêter puis retirez la clé de sécurité. N'utilisez que du savon doux et un chiffon humide pour nettoyer la tondeuse. Supprimez les résidus qui peuvent s'accumuler sur le dessous de la plaque de tonte. Après plusieurs utilisations, vérifiez si toutes les fixations apparentes sont bien serrées.

### Prévention contre la rouille

Les engrais et autres produits chimiques contiennent des agents qui accélèrent le phénomène de corrosion des métaux. Si vous tondez dans des zones recouvertes d'engrais ou de produits chimiques, la tondeuse doit immédiatement être nettoyée comme suit : Relâchez la poignée de déclenchement (2) pour arrêter la tondeuse et retirez la clé de sécurité. Essayez toutes les pièces apparentes avec un chiffon humide.

### Maintenance

Votre appareil/outil sans fil/avec fil BLACK+DECKER a été conçu pour fonctionner pendant longtemps avec un minimum d'entretien. Son bon fonctionnement continu dépend de son entretien et de son nettoyage régulier.

**Avertissement !** Avant toute intervention de maintenance sur des outils électriques avec ou sans fil :

- ◆ Arrêtez et débranchez l'appareil/outil.
- ◆ Ou déchargez complètement la batterie si elle est intégrée au système, puis éteignez l'appareil.
- ◆ Débranchez le chargeur avant de le nettoyer. Votre chargeur ne nécessite aucun entretien particulier, à l'exception d'un nettoyage régulier.

- ◆ Nettoyez régulièrement les orifices d'aération de votre outil/appareil et de votre chargeur à l'aide d'une brosse souple ou d'un chiffon sec.
- ◆ Nettoyez régulièrement le carter moteur à l'aide d'un chiffon humide. N'utilisez pas de détergents abrasifs ou à base de solvants.
- ◆ Utilisez régulièrement un racloir pour retirer l'herbe et les saletés sous le dispositif de protection.

## Dépannage

Si votre appareil semble ne pas fonctionner correctement, suivez les instructions ci-dessous. Si le problème persiste, veuillez contacter votre réparateur local BLACK+DECKER.

**Avertissement !** Avant de commencer, relâchez la barre de déclenchement pour arrêter la tondeuse et attendez que la lame soit complètement arrêtée.

Problème	Solution possible
La tondeuse ne démarre pas quand la poignée de déclenchement est activée.	Assurez-vous que la tondeuse est correctement branchée et que le bouton sur le boîtier de commutation est complètement enfoncé avant de lever la poignée de déclenchement.
	Relâchez la poignée de déclenchement pour arrêter la tondeuse. Retirez la clé de sécurité et le bloc-batterie, retournez la tondeuse et vérifiez que la lame tourne librement.
	Vérifiez qu'il n'y a aucun débris dans les cavités de la batterie et que cette dernière est correctement branchée.
Le moteur s'arrête pendant la tonte.	La batterie est-elle complètement rechargée ? Appuyez sur le bouton d'état de la charge.
	Relâchez la poignée de déclenchement pour arrêter la tondeuse. Retirez la clé de sécurité et le bloc-batterie, retournez la tondeuse et vérifiez que la lame tourne librement.
	Rehaussez la hauteur de coupe des roues à la position la plus haute et démarrez la tondeuse.
	Vérifiez qu'il n'y a aucun débris dans les cavités de la batterie et que cette dernière est correctement branchée
La tondeuse se met en marche pour les performances de tonte ne sont pas satisfaisantes,	La batterie est-elle complètement rechargée ? Appuyez sur le bouton d'état de la charge
	<b>Évitez de trop solliciter la tondeuse.</b> Ralentissez la cadence de tonte ou augmentez la hauteur de coupe.
La tondeuse se met en marche pour les performances de tonte ne sont pas satisfaisantes,	Relâchez la poignée de déclenchement pour arrêter la tondeuse. Débranchez la tondeuse. Retournez la tondeuse et vérifiez : <ul style="list-style-type: none"> <li>◆ L'affûtage des lames - gardez les lames affûtées.</li> <li>◆ L'absence de bourrage dans la descente d'éjection et le plateau de tonte.</li> </ul>
	La hauteur des roues est peut-être trop basse pour la pelouse à tondre. Augmentez la hauteur de coupe.
La tondeuse est difficile à pousser.	Relâchez la poignée de déclenchement pour arrêter la tondeuse. Débranchez la tondeuse. Augmentez la hauteur de coupe pour réduire le frottement de la plaque de tonte sur l'herbe. Vérifiez la rotation libre de chaque roue

Problème	Solution possible
La tondeuse est trop bruyante et vibre.	Relâchez la poignée de déclenchement pour arrêter la tondeuse. Débranchez la tondeuse. Penchez la tondeuse sur le côté et vérifiez la lame pour vous assurer qu'elle n'est pas endommagée ou tordue. Si la lame est endommagée, remplacez-la par une lame de rechange BLACK+DECKER. Si le dessous de la plaque de tonte est endommagé, confiez la tondeuse à un centre de réparation agréé BLACK+DECKER.
	S'il n'y a pas de dommage visible sur la lame et que la tondeuse vibre toujours : <ul style="list-style-type: none"> <li>◆ Relâchez la poignée de déclenchement pour arrêter la tondeuse.</li> <li>◆ Débranchez la tondeuse.</li> <li>◆ Démontez l'ensemble de la lame comme décrit dans la section "Retrait et installation de la lame".</li> <li>◆ Retirez tous les résidus et nettoyez chaque pièce.</li> <li>◆ Remontez chaque pièce comme décrit dans la section "Retrait et installation de la lame".</li> </ul>
	Si la tondeuse vibre toujours, confiez-la à un centre de réparation agréé BLACK+DECKER.
Le voyant du chargeur de batterie ne s'allume pas.	Vérifiez qu'il est correctement branché. Remplacez le chargeur.
La tondeuse ne récupère pas les résidus de tonte dans le sac.	La descente d'évacuation est bouchée. Relâchez la poignée de déclenchement pour arrêter la tondeuse. Débranchez la tondeuse. <b>Éliminez l'herbe accumulée dans la descente d'évacuation.</b>
	Augmentez la hauteur de coupe des roues afin de diminuer la longueur des résidus.
	Le sac est plein. Videz le sac plus fréquemment.

## Protection de l'environnement



Tri sélectif. Les produits et batteries marqués de ce symbole ne doivent pas être jetés avec les déchets ménagers.

Les produits et batteries contiennent des matières qui peuvent être récupérées et recyclées afin de réduire la demande en matières premières. Veuillez recycler les produits électriques et les batteries conformément aux dispositions locales en vigueur. Pour plus d'informations, consultez le site [www.2helpU.com](http://www.2helpU.com)

## Données techniques

		CLM5448PC	CLM5448PCB
Tension	V <sub>cc</sub>	54V	54V
Régime à vide	min <sup>-1</sup>	0 - 2900	0 - 2900
Poids	kg	26,62	24,15
Longueur de la lame	mm	48	48
Batterie		BL2554	Module nu. (Batterie non fournie)
Tension	V <sub>cc</sub>	54/18v DUALVOLT	
Capacité	Ah	2,5	

		CLM5448PC	CLM5448PCB
Type		Li-Ion	
Chargeur		BDC2A	Module nu. (Chargeur non fourni)
Tension d'entrée	V <sub>CA</sub>	220 - 240	
Courant de sortie	mA	2000mA	
Durée de charge approximative	h	3,75	

Valeur de vibration pondérée au niveau de la main/du bras :  
= 4,4m/s<sup>2</sup>, incertitude (K) = 1,5m/s<sup>2</sup>.

L<sub>wa</sub> (pression acoustique) 83 dB(A)  
Incertitude (K) = 2,5 dB(A)

**Déclaration de conformité CE**  
**DIRECTIVES MACHINES**  
**DIRECTIVE RELATIVE AUX NUISANCES SONORES**  
**EXTÉRIEURES**



Tondeuse CLM5448PC, CLM5448PCB

Black & Decker déclare que les produits décrits dans les  
"Données techniques" sont conformes aux normes :  
2006/42/CE, EN 60335-1:2012 +A11:2014,  
EN 60335-2-77:2010

2000/14/CE, Tondeuse à gazon, L < 50 cm, Annexe VI,  
DEKRA Certification B.V., Utrechtseweg 310, ED Arnhem  
N° ID corps notifié par les Pays-Bas : 0344

Niveau de puissance sonore selon la norme 2000/14/CE  
(Article 12, Annexe III, L ≤ 50cm) :

L<sub>wa</sub> (puissance sonore mesurée) 89,5 dB(A)  
Incertitude (K) = 1,2 dB(A)

L<sub>wa</sub> (puissance sonore garantie) 96 dB(A)

Ces produits sont également conformes aux Directives  
2014/30/UE et 2011/65/UE. Pour plus de détails, veuillez con-  
tacter Black & Decker à l'adresse suivante ou vous reporter  
au dos du manuel.

Le soussigné est responsable des données de la fiche tech-  
nique et fait cette déclaration au nom de Black & Decker.

R. Laverick  
Directeur Ingénierie

Black & Decker Europe, 210 Bath Road, Slough,  
Berkshire, SL1 3YD  
Royaume-Uni  
26/08/2016

## Garantie

Black & Decker assure la qualité de ses produits et offre  
une garantie\* de 24 mois aux utilisateurs, à partir de la  
date d'achat. Cette garantie s'ajoute à vos droits légaux  
auxquels elle ne porte aucunement préjudice. Cette garantie  
est valable au sein des territoires des États membres de  
l'Union Européenne et au sein de la Zone européenne de  
libre-échange.

Pour prétendre à la garantie, la réclamation doit être en  
conformité avec les conditions générales de Black & Decker  
et vous devez fournir une preuve d'achat au vendeur ou au  
réparateur agréé. Les conditions générales de la garantie de 2  
ans Black&Decker ainsi que l'adresse du réparateur agréé le  
plus proche sont disponibles sur le site Internet [www.2helpU.com](http://www.2helpU.com)  
ou en contactant votre agence Black & Decker locale à  
l'adresse indiquée dans ce manuel.

Veuillez consulter notre site Internet [www.blackanddecker.co.uk](http://www.blackanddecker.co.uk)  
pour enregistrer votre nouveau produit Black & Decker  
et pour être tenu informé des nouveaux produits et offres  
spéciales.

(Traduzione del testo originale)

ITALIANO

## Usò previsto

I rasaerba CLM5448PC e CLM5448PCB BLACK+DECKER  
sono stati progettati per tagliare l'erba. Questi elettrodomestici  
sono destinati esclusivamente per uso domestico.

## Istruzioni di sicurezza

### Avvertenza! Quando si usano

elettrodomestici senza filo, osservare sem-  
pre le normali precauzioni di sicurezza  
per ridurre il rischio di incendio, scosse  
elettriche, lesioni personali e danni  
materiali.

**Avvertenza!** Osservare i regolamenti di  
sicurezza quando si usa l'elettrodomestico.  
Per la propria incolumità e quella delle  
altre persone presenti, leggere queste  
istruzioni prima di usare l'elettrodomestico.  
Conservare le istruzioni in un luogo  
sicuro per l'uso futuro.

- ◆ Leggere attentamente tutto il pre-  
sente manuale prima di usare  
l'elettrodomestico.

- ◆ L'uso previsto è descritto nel presente manuale. Se questo elettroutensile viene usato con accessori o per usi diversi da quelli raccomandati nel presente manuale di istruzioni, si potrebbero verificare lesioni personali.
- ◆ Conservare il presente manuale per futura consultazione.

## Utilizzo dell'elettroutensile

Prestare sempre attenzione quando si usa l'elettroutensile.

- ◆ Questo elettroutensile non è destinato all'uso da parte di ragazzi o persone inferme senza supervisione.
  - ◆ Questo elettroutensile non deve essere usato come un giocattolo.
  - ◆ Impedire a bambini o ad animali di avvicinarsi all'area di lavoro o di toccare l'elettroutensile o il cavo di alimentazione.
  - ◆ Prestare la massima attenzione quando si usa l'elettroutensile con bambini nelle vicinanze.
  - ◆ Usare esclusivamente in un luogo asciutto. Evitare che l'elettroutensile si bagni.
  - ◆ Non immergere l'elettroutensile in acqua.
  - ◆ Non aprire il corpo dell'elettroutensile. Al suo interno non sono presenti parti riparabili.
  - ◆ Evitare di impiegare questo elettroutensile in ambienti esposti al rischio di esplosione, ad esempio in presenza di liquidi, gas o polveri infiammabili.
- ◆ Per ridurre il rischio di danni a spine e fili elettrici, non tirare mai il cavo per scollegare la spina da una presa.
  - ◆ Prima dell'impiego, controllare a vista che la lama, il dado della lama e il gruppo di taglio non siano usurati o danneggiati. Sostituire le lame e i bulloni usurati o danneggiati in serie per mantenere il bilanciamento del rasaerba.
  - ◆ Per evitare i rischi associati al resettaggio accidentale dell'interruttore termico di protezione, questo elettroutensile non deve essere alimentato attraverso un dispositivo di commutazione esterno, come un timer, né essere collegato a un circuito attivato o disattivato dal gestore del servizio elettrico.
  - ◆ Non usare mai il rasaerba mentre ci sono persone (in particolare bambini) o animali domestici nelle vicinanze.
  - ◆ Ricordare che l'operatore è responsabile di eventuali rischi o incidenti o pericoli a carico di altre persone o cose di loro proprietà.

## Prima dell'uso

- ◆ Durante l'uso del rasaerba indossare sempre calzature da lavoro robuste e calzoncini lunghi. Non usare il rasaerba a piedi nudi o quando si indossano sandali. Evitare di indossare capi di abbigliamento larghi o con cordoncini pendenti o lacci.



- ◆ Ispezionare sempre a fondo la zona dove il rasaerba deve essere usato ed eliminare tutti gli oggetti che potrebbero essere lanciati dalla lama rotante.
- ◆ Prima dell'impiego, controllare a vista che la lama, il dado della lama e il gruppo di taglio non siano usurati o danneggiati. Sostituire i componenti usurati o danneggiati in serie per mantenere il bilanciamento del rasaerba. Sostituire le etichette danneggiate o illeggibili.

## Dopo l'uso

- ◆ Quando non viene usato, l'elettrotensile deve essere riposto in un luogo asciutto e ben ventilato, fuori dalla portata dei bambini.
- ◆ Gli elettrotensili riposti non devono essere accessibili ai bambini.
- ◆ Se conservato o trasportato all'interno un veicolo, l'elettrotensile deve essere riposto nel bagagliaio o legato per evitare che si sposti in caso di cambiamento repentino della velocità o della direzione di marcia.

## Ispezione e riparazioni

- ◆ Prima dell'uso, verificare che l'elettrotensile non sia danneggiato e non presenti parti difettose. Controllare che non siano presenti parti rotte, interruttori danneggiati o altre condizioni che potrebbero incidere sul suo funzionamento.
- ◆ Non usare l'elettrotensile se alcune parti sono danneggiate o difettose.
- ◆ Far riparare o sostituire le parti

danneggiate o difettose da un tecnico autorizzato.

- ◆ Non tentare di smontare o sostituire delle parti, ad eccezione di quelle specificate nel presente manuale.
- ◆ Prestare attenzione durante la regolazione del rasaerba, per prevenire il rischio di schiacciarsi le dita tra le lame/parti in movimento e le parti fisse dell'elettrotensile.
- ◆ Quando si esegue la manutenzione delle lame, tenere presente che, anche se l'alimentazione elettrica è scollegata, le lame potrebbero comunque ruotare.

## Precauzioni di sicurezza aggiuntive per i rasaerba

- ◆ Non trasportare il rasaerba con la fonte di alimentazione elettrica attiva.
- ◆ Durante l'uso del rasaerba afferrare saldamente il manico con entrambe le mani.
- ◆ Se in qualsiasi momento dovesse essere necessario inclinare il rasaerba, tenere entrambe le mani nella posizione di lavoro mentre lo si inclina. Tenere entrambe le mani nella posizione di lavoro fino a quando il rasaerba è di nuovo appoggiato correttamente a terra.
- ◆ Non indossare auricolari della radio o di riproduttori di musica quando si usa il rasaerba.
- ◆ Non tentare mai di regolare l'altezza delle ruote con il motore acceso o quando la chiave di sicurezza si trova nell'alloggiamento dell'interruttore.

- ◆ Se il rasaerba si ferma, rilasciare la barra di sicurezza per spegnerlo e attendere che la lama si fermi prima di tentare di sbloccare il condotto o di rimuovere qualsiasi oggetto da sotto la scocca.
  - ◆ Tenere mani e piedi lontani dalla zona di taglio.
  - ◆ Mantenere le lame affilate. Indossare sempre guanti protettivi quando si maneggia la lama del rasaerba.
  - ◆ Se si utilizza il cesto raccoglierba, controllare di frequente che non sia usurato o danneggiato. Se è molto usurato, sostituirlo con uno nuovo per la propria sicurezza.
  - ◆ Prestare la massima attenzione quando si procede in retromarcia o quando si tira il rasaerba verso sé stessi..
  - ◆ Non mettere mani o piedi vicino o sotto al rasaerba.  
Tenersi sempre lontani dall'apertura dello scarico.
  - ◆ Eliminare dalla zona dove deve essere usato il rasaerba, corpi estranei, quali sassi, pezzi di legno, fili di ferro, giocattoli, ossa, ecc., che potrebbero essere lanciati dalla lama.  
Eventuali oggetti colpiti dalla lama potrebbero causare lesioni gravi alle persone. Tenersi dietro al manico quando il motore è acceso.
  - ◆ Non usare il rasaerba a piedi scalzi o se si indossano sandali. Indossare sempre calzature robuste.
  - ◆ Non tirare all'indietro il rasaerba, salvo nel caso in cui sia assolutamente necessario.
- Guardare sempre in basso e dietro di sé quando si cammina all'indietro.
- ◆ Non dirigere mai il materiale scaricato verso qualcuno. Evitare di scaricare il materiale contro un muro o un ostacolo. Il materiale potrebbe rimbalzare verso l'operatore. Rilasciare la barra di sicurezza per spegnere il rasaerba e fermare la lama quando si attraversano superfici ghiaiate.
  - ◆ Non far funzionare il rasaerba se il cesto raccoglierba, la protezione dello scarico, quella posteriore o gli altri dispositivi protettivi di sicurezza non sono montati e non funzionano correttamente. Controllare periodicamente tutte le protezioni e i dispositivi di sicurezza per accertarsi che siano in buone condizioni e che funzionino correttamente, svolgendo la funzione per la quale sono stati progettati. Sostituire le protezioni o gli altri dispositivi di sicurezza danneggiati prima di continuare a usare il rasaerba.
  - ◆ Non lasciare mai incustodito il rasaerba acceso.
  - ◆ Rilasciare sempre la barra di sicurezza per spegnere il motore e attendere che la lama si fermi completamente prima di pulire il rasaerba, di staccare il sacco raccoglierba, di sbloccare la protezione dello scarico, quando si lascia il rasaerba incustodito o prima di eseguire qualsiasi regolazione, riparazione o ispezione.
  - ◆ Usare il rasaerba solo alla luce del sole o in condizioni di buona illuminazione artificiale, in modo che

sia possibile vedere chiaramente dalla posizione di guida eventuali oggetti presenti lungo il percorso della lama.

- ◆ Non utilizzare il rasaerba se ci si trova sotto l'effetto di alcol o stupefacenti oppure se si è stanchi o ammalati. Rimanere sempre vigili, prestare attenzione alle proprie azioni e usare il buon senso.
- ◆ Evitare ambienti pericolosi. Non usare mai il rasaerba quando l'erba è umida o bagnata e sotto la pioggia. Mantenere sempre un buon equilibrio e procedere camminando, senza mai correre.
- ◆ Se il rasaerba comincia a vibrare in modo anomalo, rilasciare la barra di sicurezza, attendere che la lama si arresti, e verificare immediatamente a cosa è dovuta la vibrazione. Di solito le vibrazioni segnalano dei problemi. Se si avvertono delle vibrazioni insolite, consultare la guida della Ricerca guasti.
- ◆ Indossare sempre occhiali e una mascherina di protezione idonei quando si usa il rasaerba.
- ◆ L'uso di accessori non raccomandati per l'impiego con questo rasaerba potrebbe essere pericoloso. Utilizzare esclusivamente accessori approvati da BLACK+DECKER.
- ◆ Non piegarsi mai eccessivamente in avanti. mai quando si usa il rasaerba e mantenere sempre un buon equilibrio.
- ◆ Per tagliare l'erba lungo un pendio spostarsi trasversalmente e mai procedendo verticalmente in su e in giù.

Prestare la massima attenzione quando si cambia direzione su un pendio.

- ◆ Fare attenzione a buche, solchi, sassi o ad altri oggetti nascosti. Su un terreno irregolare si può facilmente scivolare o cadere. L'erba alta può nascondere ostacoli.
- ◆ Non tagliare l'erba quando è bagnata o lungo pendii molto ripidi. La perdita dell'equilibrio può far scivolare o cadere.
- ◆ Non tagliare l'erba vicino a pendii ripidi, fossati o terrapieni dove è facile perdere l'equilibrio.
- ◆ Lasciare che il rasaerba si raffreddi prima di riparlo.

Estrarre la spina dalla presa di corrente e rimuovere il pacco batteria dal rasaerba. Assicurarsi che tutte le parti mobili siano completamente ferme

- ◆ ogni volta che si lascia il rasaerba;
- ◆ prima di eliminare un'ostruzione;
- ◆ prima di controllare, pulire o eseguire la manutenzione dell'elettrotensile.

## Sicurezza altrui

- ◆ Questo elettrotensile non è destinato all'uso da parte di persone (compresi i bambini) con capacità fisiche, sensoriali o mentali ridotte, o prive di esperienza e conoscenze, salvo che non siano sottoposte a sorveglianza o ricevano istruzioni riguardo all'uso dell'apparecchio da parte di una persona responsabile della loro sicurezza.
- ◆ Controllare che i bambini non giochino con l'elettrotensile.
- ◆ Dopo aver colpito un corpo estraneo.

Verificare che l'elettrotensile non presenti danni ed eseguire le riparazioni necessarie.

## Rischi residui.

L'utilizzo dell'elettrotensile può comportare rischi residui che potrebbero non essere riportati nelle presenti avvertenze di sicurezza. Tali rischi possono sorgere a seguito di un uso prolungato o improprio, ecc.

Pur osservando le norme di sicurezza e utilizzando dispositivi di protezione adeguati, certi rischi non possono essere evitati. Sono inclusi:

- ◆ lesioni causate o subite a seguito del contatto con parti rotanti/in movimento;
- ◆ lesioni causate o subite durante la sostituzione di parti, lame o accessori;
- ◆ Lesioni causate dall'impiego prolungato di un utensile; Quando si usa qualsiasi apparecchio per lunghi periodi, accertarsi di fare regolarmente delle pause.
- ◆ menomazioni uditive;
- ◆ rischi per la salute causati dall'inalazione di polvere generata dall'utilizzo dell'elettrotensile (ad esempio quando si lavora con il legno, in modo particolare quello di quercia o l'MDF.)
- ◆ Se l'uso del rasaerba in un luogo umido è inevitabile, utilizzare un interruttore differenziale (RCD) di non più di 30 mA

L'uso di un interruttore differenziale riduce il rischio di scossa elettrica.

- ◆ Non sollevare da terra né trasportare mai l'elettrotensile con il motore in funzione.

## Simboli di avvertenza

Sull'elettrotensile sono presenti i seguenti simboli, insieme al codice data:



Avvertenza! Leggere il manuale prima dell'utilizzo.



Fare attenzione alle lame taglienti. Le lame continuano a girare dopo lo spegnimento del motore. –

Rimuovere il dispositivo di disabilitazione prima della manutenzione o se il cavo è danneggiato.



Fare attenzione agli oggetti lanciati in aria. Tenere le persone presenti lontane dalla zona di taglio.



Utilizzare protezioni oculari



Le lame continuano a girare dopo lo spegnimento del rasaerba.



Pressione sonora garantita in base alla direttiva 2000/14/CE.

## Istruzioni di sicurezza aggiuntive riguardanti batteria e caricabatterie

### Batteria

- ◆ Non tentare mai di aprire la batteria per qualsiasi motivo.

- ◆ Non lasciare che la batteria si bagni.
- ◆ Non esporre la batteria al calore.
- ◆ Non riporre in luoghi dove la temperatura potrebbe superare 40°C.
- ◆ Caricare solo a temperature ambientali tra 10 °C e 40 °C.
- ◆ Caricare esclusivamente utilizzando il caricabatterie fornito con l'apparecchio/utensile. L'utilizzo del caricabatterie sbagliato potrebbe causare scosse elettriche o il surriscaldamento della batteria.
- ◆ Quando si smaltiscono le batterie, seguire le istruzioni riportate al capitolo "Protezione dell'ambiente".
- ◆ Non danneggiare/deformare la batteria forandola o colpendola per evitare il rischio di lesioni o di incendio.
- ◆ Non caricare le batterie danneggiate.
- ◆ In condizioni estreme, si potrebbe verificare la perdita di liquido dalle batterie. Se si nota la presenza di liquido sulle batterie, pulirle con attenzione con uno straccio. Evitare il contatto con la pelle.
- ◆ In caso di contatto con la pelle o gli occhi, seguire le istruzioni riportate di seguito.

**Avvertenza!** Il liquido della batteria può causare lesioni a persone o danni alle cose. In caso di contatto con la pelle, risciacquare immediatamente con acqua. In caso di rossore, dolore o irritazione, rivolgersi immediatamente a un medico. In caso di contatto con gli occhi, risciacquarli immediatamente con acqua pulita e consultare un medico.



Non tentare di caricare delle batterie danneggiate.

## Caricabatterie

Il caricabatterie è stato progettato per una tensione specifica.

Verificare sempre che la tensione di rete corrisponda alla tensione riportata nella targhetta dei valori nominali.

**Avvertenza!** Non tentare mai di sostituire il caricabatterie con una normale spina elettrica.

- ◆ Usare il caricabatterie Black & Decker solo per ricaricare la batteria dell'apparecchio/ l'elettroscopio con il quale è stato fornito. Altre batterie potrebbero scoppiare causando lesioni a persone e danni alle cose.
- ◆ Non tentare mai di caricare batterie non ricaricabili.
- ◆ In caso di danneggiamento del cavo di alimentazione, è necessario farlo riparare dal produttore o presso un centro assistenza Black & Decker autorizzato per evitare rischi.
- ◆ Non lasciare che il caricabatterie si bagni.
- ◆ Non aprire il caricabatterie.
- ◆ Non collegare il caricabatterie a sonde.
- ◆ L'apparecchio/l'elettroscopio/la batteria devono essere lasciati in una zona ben ventilata durante la carica..



Il caricabatterie può solo essere usato in ambienti chiusi.




Leggere il presente manuale d'uso prima dell'impiego.

**Importante:** solo i seguenti caricabatterie devono essere utilizzati per ricaricare la batteria da 54v BL1554 & BL2554:

90589867, 90621477, 90590287-01, 90590289-01, 90602042-01, 90590287-02, 90590289-02, 90599854-02, 90599854-06, 90599853-05, 90634971, 90634972, 90634973, 90642266, 90642264, 90642265, BDC2A

## Sicurezza elettrica

 Il doppio isolamento di cui è provvisto l'elettrotensile rende superfluo il collegamento a terra.

Verificare sempre che la tensione di rete corrisponda alla tensione riportata nella targhetta dei valori nominali. Non tentare mai di sostituire il caricabatterie con una spina elettrica normale

- ◆ In caso di danneggiamento del cavo di alimentazione, è necessario farlo sostituire dal produttore o presso un centro assistenza Black & Decker autorizzato per evitare rischi.

## Caratteristiche

Questo rasoiera presenta alcune o tutte le seguenti caratteristiche.

1. Scatola dell'interruttore
2. Barra di sicurezza
3. Manico superiore
4. Manico inferiore
5. Leve di bloccaggio manico superiore (2)
6. Leve di bloccaggio manico inferiore (2)
7. Leva di regolazione altezza di taglio
8. Sacco raccogliherba
9. Coperchio posteriore
10. Pannello di controllo
11. Interruttore di selezione batteria POWERCOMMAND
12. Coperchio del portello batteria
13. Manici per il trasporto
14. Dispositivo EdgeMax™

## Procedura di caricamento

I caricabatteria BLACK+DECKER sono progettati per caricare i pacchi batteria BLACK+DECKER.

- ◆ Collegare il caricabatterie ad una presa adatta prima di inserire il pacco batteria.
- ◆ Inserire il pacco batteria nel caricabatterie.



Il LED verde lampeggia mentre la carica è in corso.



Il completamento della carica sarà indicato dal LED verde che rimane continuamente acceso. Il pacco batteria è completamente carico e può essere utilizzato in questo momento o lasciato nel caricabatterie.

**Avvertenza!** Ricaricare le batterie scariche al più presto dopo l'uso, altrimenti la durata della batteria potrebbe diminuire notevolmente.

## Diagnostica del caricabatterie

Questo caricabatteria è progettato per rilevare alcuni problemi che possono sorgere con i pacchi batteria o la fonte di alimentazione. I problemi sono indicati da un LED che lampeggia secondo schemi differenti.

## Batteria guasta



Il caricabatterie in grado di rilevare una batteria scarica o danneggiata.

Il LED rosso lampeggia secondo lo schema indicato sull'etichetta. Se compare questo schema di batteria guasta, non continuare a caricare la batteria. Consegnarla a un centro di assistenza o a un sito di raccolta per il riciclaggio.

## Ritardo per pacco batteria caldo/freddo



Quando il caricabatterie rileva una batteria troppo calda o troppo fredda avvia automaticamente la funzione di ritardo pacco

caldo/freddo, sospendendo il caricamento finché la batteria non ha raggiunto la temperatura normale.

In seguito, il caricabatterie passa automaticamente alla modalità Ricarica pacco. Questa funzione garantisce la massima durata della batteria. Il LED rosso lampeggia secondo lo schema indicato sull'etichetta quando viene rilevato un ritardo pacco caldo/freddo.

## Note importanti sul caricamento

- ◆ È possibile ottenere la massima durata e prestazioni ottimali se la batteria viene caricata quando la temperatura dell'aria è compresa tra 16°C e 27°C (60°F - 80°F.)
- ◆ NON caricare il pacco batteria con una temperatura dell'aria al di sotto di +4,5°C (+40°F), o al di sopra di +40,5°C (+105°F).

Questo è importante e consentirà di evitare gravi danni al pacco batteria.

- ◆ Il caricabatterie e il pacco batteria possono diventare caldi al tatto durante la carica. È un fatto normale che non indica la presenza di problemi.

Per facilitare il raffreddamento del pacco batteria dopo l'uso, evitare di posizionare il caricabatterie o il pacco batteria in un ambiente caldo, come ad esempio in un capannone di metallo, o un rimorchio non isolato.

- ◆ Se il pacco batteria non si ricarica correttamente:
  - ◆ Controllare la presenza di corrente nella presa collegandovi una lampada o apparecchio simile.
  - ◆ Verificare se la presa è collegata a un interruttore della luce che si spegne quando si spengono le luci..
  - ◆ Spostare il caricabatterie e il pacco batteria in un luogo in cui la temperatura dell'aria circostante è di circa 16° - 27°C (60°F - 80°F).
  - ◆ Se i problemi di ricarica persistono, portare l'elettrotensile, la batteria e il caricabatterie presso il centro di assistenza di zona.
- ◆ Il pacco batteria deve essere sostituito se non riesce a produrre energia a sufficienza per svolgere lavori che prima venivano eseguiti con facilità. **NON CONTINUARE** a usarlo in queste condizioni. Seguire la procedura di ricarica. È anche possibile caricare un pacco batteria parzialmente utilizzato ogni volta che si desidera senza alcun effetto negativo sulla batteria.
- ◆ Materiali estranei di natura conduttiva quali, a titolo esemplificativo, ma non esaustivo, lana d'acciaio, fogli di alluminio o qualsiasi accumulo di particelle metalliche, devono essere tenuti lontano dalle cavità del caricabatterie. Staccare sempre il caricabatterie dalla presa di corrente quando il pacco batteria non è in sede. Staccare il caricabatterie dalla presa di corrente prima di cominciare a pulirlo.
- ◆ Non immergere nessuna parte dell'elettrotensile in acqua o in altre sostanze liquide.

**Avvertenza!** Non far penetrare alcun liquido dentro al caricabatterie.

**NON TENTARE MAI DI APRIRE IL PACCO BATTERIA PER ALCUN MOTIVO. SE L'ALLOGGIAMENTO IN PLASTICA DEL PACCO BATTERIA SI ROMPE O CREPA, PORTARLO PRESSO UN CENTRO DI ASSISTENZA PER IL RICICLAGGIO.**

### Indicatore dello stato di carica della batteria

La batteria è dotata di un indicatore dello stato di carica, che può essere usato per mostrare il livello attuale di carica della batteria durante l'uso e la ricarica. Non indica la funzionalità dell'apparato ed è soggetto a variazioni in base ai componenti prodotto, alla temperatura e all'applicazione dell'utente finale.

### Verifica dello stato di carica

- ◆ Premere il pulsante dell'indicatore dello stato di carica (A1).
- ◆ I tre LED (A2) si illumineranno per indicare la percentuale di carica della batteria. Vedere il diagramma nella Figura A.
- ◆ Se il LED non si accende, ricaricare la batteria.

### Inserimento e rimozione del pacco batteria

**Avvertenza!** Assicurarsi che la chiave di sicurezza sia rimossa per evitare l'azionamento prima di rimuovere o installare la batteria.

### Per installare il pacco batteria

- ◆ Sollevare il coperchio del portello batteria (12) fino a scoprire il portello batteria (15).
- ◆ Fare scorrere la batteria (16) nel portello batteria fino a quando è insediato a fondo e si avverte un clic (Figura B). Assicurarsi che il pacco batteria sia insediato a fondo e completamente bloccato in posizione. Ripetere il processo per il secondo portello batteria.
- ◆ Chiudere il coperchio del portello batteria. Assicurarsi che il coperchio sia completamente bloccato prima di avviare il rasaerba.

### Per rimuovere il pacco batteria

- ◆ Aprire il coperchio del portello batteria (12) come descritto sopra.
- ◆ Premere il pulsante di rilascio della batteria (16a) sul pacco batteria ed estrarre il pacco batteria dall'elettrotensile, come illustrato nella Figura C.

### Selezione del pacco batteria POWERCOMMAND

**Avvertenza!** Assicurarsi che la chiave di sicurezza sia rimossa per evitare l'azionamento prima di selezionare la batteria attiva.

Il rasaerba è dotato di un pulsante di selezione della batteria POWERCOMMAND (11), che serve per prolungare la durata di funzionamento.

Premere il pulsante di selezione della batteria (Figura D) a sinistra o a destra.

- ◆ Il lato contrassegnato con il numero "1" attiva la batteria di sinistra.
- ◆ Il lato contrassegnato con il numero "2" attiva la batteria di destra.

**Nota:** il rasaerba può essere usato con un solo pacco batteria se l'interruttore è nella posizione corretta.

### Indicatori dello stato di carica della batteria attiva

**Nota:** lo stato di carica viene indicato solo se un pacco batteria è inserito o quando il rasaerba è acceso, oppure quando è presente una sola batteria e l'interruttore è posizionato in modo da collegarla per mettere in funzione del rasaerba.

Questo rasaerba è dotato di un indicatore dello stato di carica posto sulla base del pannello di controllo (10).

Questo indicatore serve per mostrare il portello della batteria attiva e il livello di carica della batteria attiva. Quando un pacco batteria è installato in uno dei portelli batteria i tre LED del livello di carica si illuminano per 3 secondi visualizzando il livello di carica corrente della batteria, poi si spengono. Durante l'uso del rasaerba viene indicato il livello di carica corrente della batteria attiva selezionata.

- ◆ Quando il rasaerba viene messo in funzione per la prima volta, tutte le spie a LED sul pannello di controllo (10) si illuminano temporaneamente.
- ◆ Le spie a LED sul pannello di controllo relativi alla batteria inattiva si spengono.
- ◆ Le spie a LED del pannello di controllo relativi alla batteria attiva (17) rimangono accese e i tre LED del livello di carica (18) indicano la percentuale di carica della batteria. (Vedere il diagramma nella Figura A.)
- ◆ Se per la batteria attiva non si illumina nessun LED, spostare l'interruttore di selezione della batteria (11) sul lato della batteria inattiva. Se non si accendono neppure i LED di questa batteria, caricare la batteria.

**Nota:** affinché tutti i LED e le funzioni dell'interruttore si comportino come descritto, la chiave di sicurezza deve essere inserita.

### Pacco batteria DUALVOLT 54V (Fig. C1.)

Il pacco batteria DUALVOLT 54V può essere usato sugli elettrotensili senza filo BLACK+DECKER da 54 V e 18 V. La batteria è in grado di riconoscere l'utensile in cui viene inserita e funzionerà alla stessa potenza, assicurando una durata di funzionamento prolungata per gli elettrotensili da 18 V. Sulla batteria è presente un pulsante dello stato di carica (16b) che indica il livello di carica a 54 V e 18 V.

### Montaggio

**Avvertenza!** Prima di montare il rasaerba assicurarsi che sia spento e che la chiave di sicurezza sia stata sfilata.

### Attacco del manico inferiore

- ◆ Sollevare il manico inferiore (4) in posizione assicurandosi che la freccia (19) sulla base del rasaerba con i numeri 1 o 2 o con la S indicati sulla base del manico (20) (supplemento della Figura F).

**Nota!** Assicurarsi che ciascun lato del manico inferiore sia posizionato sullo stesso numero. Per azionare il rasaerba la freccia deve essere allineata con i numeri 1 o 2.

- ◆ Chiudere le leve di regolazione dell'altezza del manico (6), come illustrato nella Figura F. Nel chiudere ciascuna leva assicurarsi che i denti siano innestati, come illustrato nella Figura G.

- ◆ Se il raccordo tra il manico e la leva è troppo stretto o troppo allentato, aprire la leva e regolare la profondità della leva stessa, ruotandola.  
Chiudere di nuovo la leva fino a quando i denti sono completamente serrati e ciascuna leva rimane saldamente chiusa.

### Montaggio del manico superiore (Fig. H)

Il manico superiore presenta tre diverse serie di fori corrispondenti a tre posizioni di montaggio (21), che consentono di regolare la lunghezza del manico dalla scocca. La prima serie di fori che si trova accanto alla base del tubo del manico superiore consente di regolare la lunghezza massima del manico. Utilizzando i fori posti al centro e in alto è possibile accorciare il manico.

- ◆ Rimuovere le leve di bloccaggio del manico superiore (5), i dadi (22) e le rondelle (23) dal manico.
- ◆ Allineare i fori nella parte inferiore del manico superiore (3) con i fori nella parte superiore del manico inferiore (4).

**Nota:** assicurarsi che il cavo sia posizionato davanti a entrambi i manici, come illustrato nella Figura I. In caso contrario, il cavo potrebbe aggrovigliarsi e potrebbe risultare difficoltoso stoccare il rasaerba.

- ◆ Dalla parte esterna del manico superiore (3), fare scorrere il bullone della leva attraverso i fori.
- ◆ Fare scorrere la rondella sopra al bullone della leva e assemblare l'intero gruppo con il dado, senza bloccarlo.
- ◆ Ruotare il manico superiore nella posizione di funzionamento.
- ◆ Chiudere la leva. Se la leva è troppo stretta o troppo lenta, aprire la leva e il dado per regolare il bloccaggio. Controllare le leve chiudendole. Le leve dovrebbero essere serrate a sufficienza in modo che i manici siano tenuti saldamente in posizione, ma essere abbastanza lente da poter essere chiuse completamente. Regolare aprendo la leva e ruotando il dado fino a quando i manici sono bloccati.

### Fissaggio del cavo del motore (Fig. F)

**Avvertenza:** fissare il cavo in modo che non si allunghi e non rimanga schiacciato nei giunti dei manici durante l'uso o il ripiegamento. Ciò può provocare danni al cavo.

Il cavo del motore deve essere fissato ai manici utilizzando i fermi fissacavo già attaccati ai manici stessi.

Per fissare il cavo ai manici:

- ◆ Mettere le mani nella posizione di lavoro (vedere la sezione "Montaggio del manico inferiore").
- ◆ Fare passare il cavo sul davanti dei manici superiore e inferiore.
- ◆ Tirare indietro il fermo fissacavo.
- ◆ Fare scorrere il cavo sotto il fermo e assicurarsi che sia tenuto completamente in posizione dal fermo fissacavo.



## Insaccamento

**Avvertenza:** sfilare la chiave ed estrarre i pacchi batteria prima di rimuovere l'accessorio di scarico laterale e l'inserto per pacciamatura, e quando si apre il coperchio del portello posteriore.

- ◆ Assicurarsi che l'accessorio di scarico laterale (26) (Figura M) e l'inserto per pacciamatura (27) (Figura L) siano rimossi dal rasaerba prima di eseguire l'insaccamento.
- ◆ Sollevare il coperchio del portello posteriore (9) e collocare il sacco raccogliherba (8) sul rasaerba in modo che i ganci del sacco (28) si appoggino sulle linguette (29), come illustrato nella Figura K, quindi abbassare il coperchio del portello posteriore.

## Pacciamatura

**Avvertenza!** Sfilare la chiave ed estrarre i pacchi batteria prima di rimuovere l'accessorio di scarico laterale e il sacco raccogliherba, e quando si installa l'inserto per pacciamatura.

- ◆ Assicurarsi che l'accessorio di scarico laterale (26) e il sacco raccogliherba (8) non siano attaccati.
- ◆ Sollevare il coperchio del portello posteriore (9) e fare scorrere l'inserto per pacciamatura (27) completamente all'interno del rasaerba, come illustrato nella Figura L.
- ◆ Prima di azionare il rasaerba, assicurarsi che il coperchio del portello posteriore si chiuda completamente.

## Scarico laterale

**Avvertenza!** Sfilare la chiave ed estrarre i pacchi batteria prima di rimuovere il sacco raccogliherba, e quando si installa l'accessorio di scarico laterale e l'inserto per pacciamatura..

- ◆ Assicurarsi che il sacco raccogliherba (8) non sia montato.
- ◆ Sollevare il deflettore posteriore (9) e fare scorrere l'inserto per pacciamatura (27) completamente all'interno del rasaerba, come illustrato nella Figura L.
- ◆ Sollevare il deflettore laterale (30) e agganciare l'accessorio di scarico laterale (26) sul rasaerba, come illustrato nella Figura M.
- ◆ Rilasciare il deflettore laterale e assicurarsi che l'accessorio sia fissato in posizione prima di avviare il rasaerba, come illustrato nella parte aggiuntiva della Figura M.

## Funzionamento

Leggere il presente manuale di istruzioni prima dell'uso. Vedere la sezione "Caratteristiche" per acquisire familiarità con la posizione dei vari dispositivi di controllo e di regolazione. Conservare questo manuale di istruzioni per future consultazioni.

**Avvertenza!** Lasciare che il rasaerba funzioni al suo ritmo. Non sovraccaricarlo.

**Avvertenza!** Lama mobile e affilata. Non far funzionare il rasaerba nella modalità di scarico laterale o pacciamatura se lo sportello posteriore non è chiuso dalla tensione della molla, dato che si potrebbero subire e causare lesioni gravi. Portare il rasaerba presso il centro di assistenza più vicino per farlo riparare.

## Regolazione dell'altezza del manico (Fig. N)

- ◆ Aprire entrambe le leve di bloccaggio del manico (6).
- ◆ Regolare il manico in modo che la freccia (19) sulla base del rasaerba sia allineata con i numeri 1, 2 sulla base del manico (20). Assicurarsi che il manico sia regolato in corrispondenza dello stesso numero su entrambi i lati del rasaerba.
- ◆ Chiudere entrambe le leve e assicurarsi che il manico sia saldamente serrato e i denti innestati, come illustrato nel supplemento.

## Regolazione dell'altezza del manico (Fig. O)

L'altezza di taglio viene regolata per mezzo della leva centrale di regolazione dell'altezza che permette di scegliere tra 7 posizioni diverse.

**Nota:** se non si è sicuri dell'altezza di taglio, iniziare a tagliare l'erba con la leva di regolazione dell'altezza (7) nella posizione 7 e abbassare l'altezza secondo la necessità, come illustrato nella Figura O.

Per impostare l'altezza di taglio procedere come segue:

- ◆ Estrarre la leva (7) di regolazione dell'altezza del rasaerba dalla tacca di bloccaggio (31).
- ◆ Spostare la leva verso la parte posteriore dell'elettrotensile per aumentare l'altezza di taglio.
- ◆ Spostare la leva verso la parte anteriore dell'elettrotensile per ridurre l'altezza di taglio.
- ◆ Spingere la leva di regolazione dell'altezza in una delle sette tacche di bloccaggio.

## Chiave di sicurezza

Per prevenire l'avvio accidentale o l'uso non autorizzato del proprio rasaerba senza filo, nell'elettrotensile è stata incorporata una chiave di sicurezza (32). Il rasaerba viene completamente disabilitato quando la chiave di sicurezza viene rimossa dallo stesso.

**Nota:** la chiave di sicurezza presenta un foro al centro per consentire di riporla appendendola a un chiodo, fuori dalla portata dei bambini. Non legare la chiave al rasaerba.

**Avvertenza!** La lama rotante può causare lesioni gravi alle persone. Per prevenire gravi lesioni sfilare la chiave di sicurezza quando si lascia il rasaerba incustodito o quando è in carica o viene sottoposto a interventi di pulizia, di manutenzione o assistenza, oppure quando viene trasportato, sollevato o stoccato.

## Avvio del rasaerba

**Avvertenza!** Lama mobile e affilata. Non tentare mai di escludere il funzionamento di questa scatola interruttore dato che potrebbero verificarsi lesioni gravi.

**Nota:** Il rasaerba può funzionare solo se la batteria è installata e la chiave di sicurezza è inserita.

- ◆ Inserire la chiave di sicurezza (32) nell'alloggiamento (1) dell'interruttore fino a quando è inserita a fondo, come illustrato nella Figura P. A questo punto il rasaerba è operativo.
- ◆ Il rasaerba è dotato di una speciale scatola interruttore di accensione/spegnimento. Per azionare il rasaerba, premere il pulsante (33) sulla scatola interruttore (1), quindi tirare la barra di sicurezza (2) verso la barra del manico, come illustrato nella Figura Q. Una volta avviato il rasaerba è possibile rilasciare il pulsante.
- ◆ Per spegnere il rasaerba, rilasciare semplicemente la barra di sicurezza.

**Avvertenza!** Non tentare mai di bloccare un interruttore o la barra di sicurezza (2) in posizione on (acceso).

**Nota:** una volta tornata nella posizione originale, la barra di sicurezza attiva il meccanismo di frenatura automatica. Il motore è frenato elettricamente e la lama del rasaerba smette di ruotare in 3 secondi o meno.

## Sovraccarico del rasaerba

Per prevenire danni dovuti a condizioni di sovraccarico, non tentare di rimuovere troppa erba in una sola passata.. Rallentare la velocità di taglio oppure aumentare l'altezza di taglio.

## Dispositivo EdgeMax™

Il dispositivo EdgeMax™ (14) consente di tagliare l'erba fino al bordo di un muro o di una recinzione (Fig. R1).

Il dispositivo EdgeMax™ consente di tagliare con precisione l'erba fino al bordo del prato (Fig. R2).

- ◆ Con il rasaerba parallelo al bordo del prato, spingere il rasaerba lungo tale bordo. Assicurarsi che il dispositivo EdgeMax™ sia leggermente sopra il bordo del prato (Fig. R2).

**Nota:** quando l'accessorio di scarico laterale è collegato il dispositivo EdgeMax™ può essere usato solo dalla parte sinistra del rasaerba.

## Stoccaggio

**Avvertenza!** La lama rotante può causare lesioni gravi.

Rilasciare la barra di sicurezza (2) per spegnere il rasaerba, sfilare la chiave di sicurezza e rimuovere la batteria prima di sollevare, trasportare o stoccare il rasaerba.. Stoccare in un luogo asciutto.

**Avvertenza!** Per evitare di rimanere schiacciati, mantenere le dita lontano dall'area tra i manici quando i manici vengono ripiegati.

**Avvertenza!** Assicurarsi che il cavo non si allunghi e non rimanga schiacciato nei giunti dei manici durante il ripiegamento. Ciò può provocare danni al cavo.

Il manico del rasaerba può essere facilmente ripiegato per stoccare l'elettrotensile in modo rapido e comodo.

- ◆ Tenendo stretto il manico, aprire le leve di regolazione del manico inferiore (6) senza rimuoverle e ripiegare il manico nella parte anteriore del rasaerba, come illustrato nella Figura S.
- ◆ Regolare il manico in modo che la freccia (19) sulla base del rasaerba sia allineata con la lettera S sulla base del manico (20). Assicurarsi che il manico sia regolato in corrispondenza dello S su entrambi i lati del rasaerba.
- ◆ Chiudere entrambe le leve e assicurarsi che il manico sia bloccato saldamente.
- ◆ Aprire le leve di regolazione del manico superiore (5) senza rimuoverle e ripiegare il manico superiore (3) indietro, facendolo passare sopra al manico inferiore (4), come illustrato nella Figura T.
- ◆ Il rasaerba deve essere compattato, come illustrato nella Figura U.

## Trasporto del rasaerba

- ◆ Il rasaerba può essere trasportato utilizzando i pratici manici per il trasporto (13), come illustrato nella Figura V. NON tentare di sollevare il rasaerba afferrando il manico superiore (3) o il manico inferiore (4).

## Consigli per il taglio dell'erba

**Avvertenza!** Ispezionare sempre la zona dove deve essere usato il rasaerba ed eliminare pietre, bastoncini, fili di ferro, ossa e qualsiasi altro detrito che potrebbe essere lanciato dalla lama mentre ruota.

**Avvertenza!** Sui pendii, tagliare l'erba trasversalmente e mai procedendo verticalmente in su e in giù. Prestare la massima attenzione quando si cambia direzione su un pendio. Non tagliare l'erba su pendii molto ripidi. Mantenersi sempre in equilibrio.

- ◆ Rilasciare la barra di sicurezza per spegnere il rasaerba quando si attraversano zone ghiaiate (la lama che ruota potrebbe lanciare il pietrisco).
- ◆ Regolare il rasaerba all'altezza di taglio più alta quando si falcia su terreni secchi o con erbacce alte.  
Se si taglia troppa erba in una sola passata, il motore si può sovraccaricare, arrestando il rasaerba. Consultare la guida della Ricerca guasti.
- ◆ Se nella stagione di crescita rapida dell'erba si usa il sacco raccogliherba (8), l'erba potrebbe intasare l'apertura di scarico. Rilasciare la barra di sicurezza per spegnere il rasaerba e sfilare la chiave di sicurezza. Rimuovere il cesto raccogliherba e scrollare lo sfalco verso la parte posteriore del sacco.

Pulire via anche sfalcio e detriti che possono essersi accumulati attorno all'apertura di scarico. Sostituire il cesto raccogliherba.

- ◆ Se il rasaerba dovesse iniziare a vibrare in modo anomalo, rilasciare la barra di sicurezza per spegnere il rasaerba e sfilare la chiave di sicurezza. Verificare immediatamente quale possa essere la causa. Una vibrazione segnala la presenza di problemi. Non far funzionare il rasaerba fino a quando non è stato eseguito un controllo di manutenzione.

Consultare la guida della Ricerca guasti nel manuale.

- ◆ Rilasciare sempre la barra di sicurezza per spegnere il rasaerba quando lo si lascia incustodito anche per un breve periodo di tempo.

### Consigli per ottenere performance ottimali

- ◆ Ridurre la velocità nelle zone in cui l'erba è particolarmente alta o fitta.
- ◆ Evitare di tagliare l'erba bagnata dalla pioggia o dalla rugiada.
- ◆ Tagliare l'erba frequentemente, in modo particolare durante i periodi di crescita rapida.

**Nota:** si raccomanda di ricaricare il rasaerba dopo l'uso, per prolungare la vita utile della batteria.

Una ricarica frequente non danneggia la batteria e assicura che sarà completamente carica e pronta per l'impiego successivo. Riporre una batteria non completamente carica riduce la sua vita utile.

### Rimozione e installazione della lama

**Avvertenza!** Al momento di riassemblare il gruppo lama, assicurarsi che siano installate correttamente tutte le parti, come descritto sotto.

Un assemblaggio scorretto della lama o di altre parti del gruppo lama potrebbe causare lesioni gravi.

**Avvertenza!** Rilasciare la barra di sicurezza per spegnere il rasaerba, attendere che la lama si arresti e scollegare il rasaerba.

- ◆ Tagliare un pezzo di legno 2x4 (34) (lungo 610 mm) per impedire che la lama ruoti quando si rimuove il bullone (35).
- ◆ Indossare guanti e occhiali di protezione idonei.
- ◆ Girare di lato il rasaerba. Fare attenzione ai fili della lama. Posizionare il pezzo di legno e svitare il bullone utilizzando una chiave da 13 mm (36), come illustrato nella Figura W.
- ◆ Notare l'orientamento di ciascuna parte man mano che vengono rimosse. Rimuovere il bullone (35) e la rondella (37). Estrarre la lama (38), come illustrato nella Figura X. La ventola (39) non deve essere rimossa. Esaminare tutti i pezzi per controllare che non siano danneggiati e sostituirli se necessario.
- ◆ La lama può essere collegata alla ventola in una sola direzione.

Per il riassetto, allineare il foro a forma di "D" della lama con il piolo a forma di "D" della ventola, assicurandosi che la scritta sulla lama sia rivolta verso l'esterno rispetto al rasaerba.

- ◆ Per serrare la lama saldamente, posizionare il pezzo di legno come illustrato nella Figura Y, in modo da evitare che la lama ruoti. Fare scorrere il bullone attraverso la rondella e stringere il bullone in senso orario in sede con una chiave da 13 mm (36), come illustrato nella Figura Y.

### Affilatura della lama

Mantenere affilata la lama per ottenere le migliori prestazioni del rasaerba.. Una lama spuntata non taglia nettamente l'erba. Indossare occhiali di protezione idonei quando si smonta, si affila e si rimonta una lama. Assicurarsi che la chiave di sicurezza e il pacco batteria siano rimossi.

In circostanze normali, è di solito sufficiente affilare la lama due volte durante la stagione di taglio.

La sabbia spunta rapidamente la lama. Se il prato tagliato ha un terreno sabbioso, può essere necessaria un'affilatura più frequente.

**Nota:** sostituire immediatamente la lama piegata o danneggiata.

Durante l'affilatura della lama:

- ◆ Verificare che la lama rimanga bilanciata.
- ◆ Affilare la lama in base all'angolo di taglio originale.
- ◆ Affilare i bordi su entrambe le estremità della lama, asportando quantitativi pari di materiale da entrambe le estremità.

### Affilatura della lama in una morsa (Fig. V)

- ◆ Prima di rimuovere la lama, assicurarsi che la barra di sicurezza sia stata rilasciata, che la lama si sia arrestata e che il rasaerba sia scollegato.
- ◆ Rimuovere la lama dal rasaerba (vedere le istruzioni per la rimozione e installazione della lama).
- ◆ Bloccare la lama (38) in una morsa (40).
- ◆ Indossare occhiali e guanti di protezione idonei e prestare attenzione a non tagliarsi. Limare con attenzione i fili della lama con una lima sottile (41) o con una pietra per affilare, conservando il filo originale. Verificare che la lama sia bilanciata (vedere le istruzioni per il bilanciamento della lama).
- ◆ Sostituire la lama sul rasaerba e serrarla saldamente.

### Bilanciamento della lama

Controllare il bilanciamento della lama (38) infilando su un chiodo o su un cacciavite con gambo rotondo, serrati orizzontalmente in una morsa, il foro centrale della lama. Se una delle estremità della lama ruota cadendo verso il basso, affilare il bordo tagliente dell'estremità cadente. La lama è bilanciata se nessuna delle due estremità cade.

## Lubrificazione

La lubrificazione non è necessaria. Non oliare le ruote dato che sono dotate di superfici portanti in plastica che non richiedono lubrificazione.

## Pulizia

Rilasciare la barra di sicurezza (2) per spegnere il rasaerba, attendere che la lama si fermi e sfilare la chiave di sicurezza. Per pulire il rasaerba, utilizzare solamente sapone neutro e un panno umido. Pulire via l'eventuale sfalcio accumulatosi sulla parte inferiore della scocca del rasaerba. Dopo vari impieghi, controllare che tutti gli elementi di fissaggio in vista siano ben saldi.

## Prevenzione della corrosione

I fertilizzanti e gli altri prodotti chimici usati in giardino contengono sostanze che velocizzano notevolmente la corrosione dei metalli. Se si taglia l'erba in zone dove sono stati usati fertilizzanti o prodotti chimici, il rasaerba deve essere pulito subito dopo l'impiego nel modo seguente: Rilasciare la barra di sicurezza (2) per spegnere il rasaerba e scollegare il rasaerba. Strofinare tutte le parti esposte con un panno umido.

## Manutenzione

Questo elettrotensile BLACK+DECKER con o senza filo è stato progettato per funzionare a lungo con una manutenzione minima. Per ottenere prestazioni sempre soddisfacenti occorre avere cura dell'elettrotensile e sottoporlo a pulizia periodica.

**Avvertenza!** Prima di eseguire interventi di manutenzione su elettrotensili con o senza filo procedere come descritto di seguito.

- ◆ Spegnerlo e scollegare l'elettrotensile dalla presa di corrente.
- ◆ Oppure scaricare completamente la batteria, se è di tipo integrale, quindi spegnerlo.
- ◆ Scollegare il caricabatterie prima di pulirlo. Il caricabatterie non richiede nessuna manutenzione salvo una regolare pulizia
- ◆ Pulire regolarmente le prese di ventilazione dell'elettrotensile e del caricabatterie con un pennello o con un panno morbido e asciutto.
- ◆ Il vano del motore deve essere pulito regolarmente con un panno umido. Non usare materiali abrasivi o detergenti a base di solventi.
- ◆ Usare regolarmente un raschietto non affilato per eliminare erba e sporcizia dalla parte inferiore della protezione.

## Ricerca guasti

Se l'elettrotensile non dovesse funzionare correttamente, seguire le istruzioni riportate di seguito.

Nel caso in cui non sia comunque possibile risolvere il problema, rivolgersi al tecnico BLACK+DECKER di zona.

**Avvertenza!** Prima di continuare, rilasciare la barra di sicurezza per spegnere il rasaerba e attendere che la lama si arresti.

Problema	Eventuale soluzione
<b>Il rasaerba non funziona quando la barra di sicurezza è attivata.</b>	Controllare per assicurarsi che il rasaerba sia correttamente collegato alla corrente e che il pulsante sulla scatola interruttore sia completamente premuto, prima di tirare la barra di sicurezza.
	Rilasciare la barra di sicurezza per spegnere il rasaerba. Rimuovere la chiave di sicurezza e il pacco batteria, capovolgere il rasaerba e controllare che la lama possa ruotare liberamente.
	Controllare che nella sede della batteria non siano presenti impurità e che la batteria sia collegata correttamente.
	La batteria è stata ricaricata completamente? Premere il pulsante dello stato di carica.
<b>Il motore si spegne durante la falciatura.</b>	Rilasciare la barra di sicurezza per spegnere il rasaerba. Rimuovere la chiave di sicurezza e il pacco batteria, capovolgere il rasaerba e controllare che la lama possa ruotare liberamente.
	Regolare l'altezza di taglio delle ruote sulla posizione più alta e avviare il rasaerba.
	Controllare che nella sede della batteria non siano presenti impurità e che la batteria sia collegata correttamente.
	La batteria è stata ricaricata completamente? Premere il pulsante dello stato di carica.
<b>Il rasaerba funziona ma le prestazioni di taglio non sono soddisfacenti.</b>	Rilasciare la barra di sicurezza per spegnere il rasaerba. Scollegare il rasaerba dalla corrente. Capovolgere il rasaerba e controllare: <ul style="list-style-type: none"> <li>◆ L'affilatura della lama (mantenere la lama ben affilata);</li> <li>◆ che la scocca e il condotto di scarico non siano intasati.</li> </ul>
	Le ruote possono essere state regolate a un'altezza troppo bassa per le condizioni dell'erba. Aumentare l'altezza di taglio.
<b>Il rasaerba è troppo duro da spingere.</b>	Rilasciare la barra di sicurezza per spegnere il rasaerba. Scollegare il rasaerba dalla corrente. Aumentare l'altezza di taglio per ridurre la resistenza della scocca sull'erba. Controllare che ogni ruota giri liberamente.
<b>Il rasaerba fa rumore e vibra in modo anomalo.</b>	Rilasciare la barra di sicurezza per spegnere il rasaerba. Scollegare il rasaerba dalla corrente. Girare di lato il rasaerba e controllare la lama per verificare che non sia piegata o danneggiata. Se la lama è danneggiata, sostituirla con una di ricambio BLACK+DECKER. Se la parte inferiore della scocca è danneggiata, portare il rasaerba presso un centro assistenza BLACK+DECKER autorizzato.
	Se non vi sono danni visibili sulla lama e il rasaerba continua a vibrare: <ul style="list-style-type: none"> <li>◆ Rilasciare la barra di sicurezza per spegnere il rasaerba.</li> <li>◆ Scollegare il rasaerba dalla corrente.</li> <li>◆ Disassemblare l'intero gruppo lama, come descritto nella sezione "Rimozione e installazione della lama".</li> <li>◆ Rimuovere gli eventuali detriti presenti e pulire tutti i pezzi.</li> <li>◆ Sostituire ciascun pezzo, come descritto nella sezione "Rimozione e installazione della lama".</li> </ul>
	Se il rasaerba continua a vibrare, portarlo presso un centro di assistenza BLACK+DECKER autorizzato.
<b>Il LED del caricabatterie non si accende.</b>	Controllare la connessione.
	Sostituire il caricabatterie.

**Problema Eventuale soluzione****Il rasaerba non raccoglie lo sfalcio nel sacco.**

Condotto intasato. Rilasciare la barra di sicurezza per spegnere il rasaerba. Scollegare il rasaerba dalla corrente. Eliminare lo sfalcio dal condotto.

Sollevare l'altezza di taglio delle ruote per accorciare la lunghezza del taglio.

Sacco pieno. Svuotare il sacco più frequentemente.

**Protezione dell'ambiente**

Raccolta differenziata. I prodotti e le batterie contrassegnati con questo simbolo devono essere smaltiti con i rifiuti domestici normali.

I prodotti e le batterie contengono materiali che possono essere recuperati o riciclati riducendo la richiesta di materie prime. Riciclare i prodotti elettrici e le batterie secondo le disposizioni locali. Ulteriori informazioni sono disponibili all'indirizzo [www.2helpU.com](http://www.2helpU.com)

**Dati tecnici**

		CLM5448PC	CLM5448PCB
Tensione	V <sub>cc</sub>	54V	54V
Velocità in assenza di carico	min <sup>-1</sup>	0 - 2900	0 - 2900
Peso	kg	26,62	24,15
Lunghezza lama	mm	48	48
Batteria		BL2554	Unità spoglia (Nessuna batteria fornita)
Tensione	V <sub>DC</sub>	DUALVOLT 54/18V	
Capacità	A/h	2,5	
Tipo		Ioni di litio	
Caricabatterie		BDC2A	Unità spoglia (Nessun caricabatterie fornito)
Tensione in ingresso	V <sub>AC</sub>	220 - 240	
Corrente di uscita	mA	2000 mA	
Tempo di carica approssimativo	h	3,75	

Valore vibrazione misurata su braccio/mano:  
= 4,4 m/s<sup>2</sup>, incertezza (K) = 1,5 m/s<sup>2</sup>.

L<sub>wa</sub> (pressione sonora) 83 dB(A)  
incertezza (K) = 2,5 dB(A)

**Dichiarazione di conformità CE**  
**DIRETTIVA MACCHINE**  
**DIRETTIVA SULLA RUMOROSITÀ ESTERNA**



Rasaerba CLM5448PC, CLM5448PCB

Black & Decker dichiara che i prodotti descritti al paragrafo "Dati tecnici" sono conformi alle seguenti norme:  
2006/42CE, EN 60335-1:2012 +A11:2014,  
EN 60335-2-77:2010

2000/14/CE, rasaerba, L < 50 cm, Allegato VI,  
DEKRA Certification B.V., Utrechtseweg 310, ED Arnhem  
Netherlands ID ente notificato n.: 0344  
Livello di potenza sonora in base alla Direttiva 2000/14/CE  
(Articolo 12, Allegato III, L ≤ 50cm):  
L<sub>wa</sub> (pressione sonora misurata) 89,5 dB(A)  
incertezza (K) = 1,2 dB(A)

L<sub>wa</sub> (pressione sonora garantita) 96 dB(A)  
Questi prodotti sono inoltre conformi alle direttive 2014/30/UE e 2011/65/UE. Per ulteriori informazioni contattare Black & Decker al seguente indirizzo oppure consultare l'ultima di copertina del manuale.

Il sottoscritto è responsabile della redazione di questo documento tecnico e rilascia questa dichiarazione per conto di Black & Decker.

R. Laverick  
Direttore tecnico  
Black & Decker Europe, 210 Bath Road, Slough,  
Berkshire, SL1 3YD  
Regno Unito  
26/08/2016

**Garanzia**

Black & Decker è sicura della qualità dei propri prodotti e offre ai consumatori una garanzia di 24 mesi dalla data di acquisto. Il presente certificato di garanzia<sup>75</sup> è complementare ai diritti legali e non li pregiudica in alcun modo. La garanzia è valida sui territori degli stati membri dell'Unione Europea o dell'EFTA (Associazione europea di libero scambio).

Per attivare la garanzia, il reclamo deve essere effettuato in accordo con i Termini e Condizioni Black & Decker e sarà necessario presentare la prova di acquisto al venditore o all'agente di riparazione autorizzato. I Termini e condizioni della garanzia Black & Decker di 2 anni e la sede dell'agente di riparazione autorizzato più vicino sono consultabili su Internet all'indirizzo [www.2helpU.com](http://www.2helpU.com), o contattando l'ufficio Black & Decker di zona all'indirizzo indicato in questo manuale.

Visitare il nostro sito [www.blackanddecker.co.uk](http://www.blackanddecker.co.uk) per registrare il nuovo prodotto Black & Decker e ricevere gli aggiornamenti sui nuovi prodotti e le offerte speciali.

**Bedoeld gebruik**

De BLACK+DECKER grasmaaiers CLM5448PC en CLM5448PCB zijn ontworpen voor het maaien van gras. Deze apparaten zijn uitsluitend bestemd voor gebruik door consumenten.

**Veiligheidsinstructies**

**Waarschuwing!** Bij het gebruik van snoerloze apparaten moeten bepaalde elementaire voorzorgsmaatregelen, waaronder de navolgende, altijd in acht worden genomen zodat het risico van brand, elektrische schokken, persoonlijk letsel en materiële schade wordt beperkt.

**Waarschuwing!** De veiligheidsregels moeten worden opgevolgd wanneer u de machine gebruikt.

Lees voor uw eigen veiligheid en de veiligheid van omstanders deze instructies voordat u de machine gebruikt. Bewaar de instructies voor later gebruik.

- ◆ Lees deze handleiding zorgvuldig door voordat u de machine in gebruik neemt.
- ◆ In deze handleiding wordt het bedoeld gebruik beschreven. Het gebruik van andere accessoires of hulpstukken dan wel de uitvoering van andere handelingen dan in deze gebruikershandleiding worden aanbevolen, kan een risico van persoonlijk letsel geven.
- ◆ Bewaar deze handleiding zorgvuldig zodat u deze nog eens kunt raadplegen.

**Gebruik van de machine**

Ga bij gebruik van de machine altijd voorzichtig te werk.

- ◆ Het is niet de bedoeling dat deze ma-

chine door jonge of zwakke mensen wordt gebruikt, zonder dat toezicht op hen wordt gehouden.

- ◆ De machine mag niet als speelgoed worden gebruikt.
- ◆ Laat kinderen of dieren niet in de buurt van de werkomgeving komen of de machine of het netsnoer aanraken.
- ◆ Let extra goed op wanneer u de machine in de buurt van kinderen gebruikt.
- ◆ Gebruik de machine alleen op een droge locatie. Laat de machine niet nat worden.
- ◆ Dompel de machine niet onder in water.
- ◆ Open de behuizing niet. Binnenin bevinden zich geen onderdelen waaraan de gebruiker onderhoud kan uitvoeren.
- ◆ Gebruik de machine niet in een omgeving met explosiegevaar, zoals in de nabijheid van brandbare vloeistoffen, gassen of stof.
- ◆ Haal de stekker nooit uit het stopcontact door aan de kabel te trekken. Zo voorkomt u beschadiging van de stekker of de kabel.
- ◆ Controleer voor gebruik altijd of de bladen, de bouten van de bladen en het maaigedeelte niet versleten of beschadigd zijn. Vervang versleten of beschadigde bladen en bouten tegelijkertijd zodat alles beter op elkaar afgestemd blijft.
- ◆ Voorkom een risico dat ontstaat wanneer de thermische beveiliging onbedoeld wordt gereset, deze machine

moet niet op de stroomvoorziening worden aangesloten via een externe schakelaar, zoals een tijdklok, en niet via een circuit dat regelmatig door de elektriciteitsmaatschappij wordt in- en uitgeschakeld, op de stroomvoorziening worden aangesloten.

- ◆ Gebruik de machine nooit als er mensen, met name kinderen, of huisdieren in de buurt zijn.
- ◆ Bedenk dat de gebruiker van de machine verantwoordelijk is voor eventuele ongelukken of voor gevaren waaraan andere mensen of hun eigendommen worden blootgesteld.

## Voorafgaand aan ingebruikneming

- ◆ Draag altijd stevige schoenen en een lange broek wanneer u de machine gebruikt. Gebruik de machine niet wanneer u open sandalen draagt of blootsvoets bent. Draag geen loshangende kleding of kleding met koordjes of bandjes.
- ◆ Inspecteer het gebied waar u met de machine aan het werk gaat grondig en verwijder alle voorwerpen die door de machine kunnen worden weggeslingerd.
- ◆ Controleer voor gebruik altijd of het blad, de bladmoer en het maaigedeelte niet versleten of beschadigd zijn.  
Vervang versleten of beschadigde onderdelen tegelijkertijd zodat alles beter op elkaar afgestemd blijft. Vervang beschadigde of onleesbare etiketten.

## Na gebruik

- ◆ Bewaar de machine na gebruik op een droge, goed geventileerde plaats, buiten het bereik van kinderen.
- ◆ Houd de machine buiten het bereik van kinderen, ook wanneer deze is opgeborgen.
- ◆ Wanneer u het apparaat in een auto plaatst, moet u het in de kofferruimte plaatsen en goed vastzetten, zodat het niet kan losraken bij plotselinge veranderingen in snelheid of richting.

## Inspectie en reparaties

- ◆ Controleer de machine vóór gebruik op beschadiging en defecten. Controleer de machine op gebroken onderdelen, schade aan de schakelaars en andere omstandigheden die de werking ervan kunnen beïnvloeden.
- ◆ Gebruik de machine niet als een onderdeel beschadigd of defect is.
- ◆ Laat beschadigde of defecte onderdelen in een officieel servicecentrum repareren of vervangen.
- ◆ Probeer nooit andere onderdelen te verwijderen of te vervangen dan de in deze handleiding genoemde.
- ◆ Let er goed op dat uw vingers bij het afstellen van de maaier niet klem komen te zitten tussen de bewegende messen/onderdelen en de vaste delen van de machine.
- ◆ Denk eraan dat bij het verrichten van onderhoud aan de bladen de bladen kunnen bewegen, ook al is de stroomvoorziening uitgeschakeld.

## **Aanvullende veiligheidsinstructies voor grasmaaiers**

- ◆ Vervoer de machine niet terwijl de stroomvoorziening is ingeschakeld
- ◆ Houd de handgreep stevig met beide handen vast wanneer u met de grasmaaier werkt.
- ◆ Als de grasmaaier op enig moment moet worden gekanteld, zorg er dan voor dat tijdens het kantelen beide handen in de werkpositie blijven. Houd beide handen in de werkpositie tot de grasmaaier weer goed op de grond staat.
- ◆ Draag nooit een hoofdtelefoon voor radio of muziek wanneer u de grasmaaier bedient.
- ◆ Probeer nooit de wielhoogte aan te passen terwijl de motor draait of terwijl de veiligheidssleutel zich in de behuizing van de schakelaar bevindt.
- ◆ Schakel de grasmaaier als deze vastloopt, uit door de handgreep los te laten, wacht tot het maaiblad tot stilstand komt, en probeer vervolgens pas de blokkering van de uitwerpopening te verwijderen of iets van onder de maaier weg te halen.
- ◆ Blijf met uw handen en voeten uit de buurt van het maaigebied.
- ◆ Houd zaagbladen scherp. Draag altijd handschoenen bij het hanteren van het maimes van de grasmaaier.
- ◆ Als u de grasopvang gebruikt, moet u deze regelmatig controleren op slijtage en beschadigingen. Als de grasopvang ernstig is versleten, moet u deze voor uw eigen veiligheid vervangen.
- ◆ Ga zeer voorzichtig te werk wanneer u de grasmaaier achteruit laat rijden of naar u toe trekt.
- ◆ Kom niet met uw handen of voeten bij of onder de grasmaaier. Blijf altijd uit de buurt van uitwerpopening.
- ◆ Maak het gebied waar u de grasmaaier gaat gebruiken vrij van voorwerpen zoals stenen, stokken, draad, speelgoed, botten, enz. Deze kunnen door het blad worden weggeslingerd. Voorwerpen die door het blad worden geraakt, kunnen ernstige verwondingen toebrengen aan personen. Blijf achter de handgreep wanneer de motor draait.
- ◆ Gebruik de grasmaaier niet op blote voeten en niet wanneer u sandalen draagt. Draag altijd stevig schoeisel.
- ◆ Trek de grasmaaier alleen achteruit wanneer dat niet anders kan. Kijk altijd omlaag en achter u voordat en terwijl u achteruit loopt.
- ◆ Richt uitgeworpen materiaal niet op iemand. Zorg ervoor dat uitgeworpen materiaal niet tegen een muur of obstakel komt. Het materiaal kan terugkaatsen naar de gebruiker. Schakel, wanneer u op grindoppervlakken stuit, de grasmaaier uit door de handgreep los te laten, en laat het blad tot stilstand komen.
- ◆ Gebruik de grasmaaier niet zonder dat de volledige grasopvang, het uitwerpschild, de achterste beschermkap en andere veiligheidsvoorzieningen op hun plaats zitten en goed functioneren.



Controleer regelmatig dat alle beschermkappen en veiligheidsvoorzieningen in goede staat zijn, dat ze de functie vervullen waarvoor ze zijn bedoeld. Vervang een beschadigde beschermkap of andere veiligheidsvoorziening voordat u de grasmaaier weer gebruikt.

- ◆ Laat een ingeschakelde grasmaaier nooit onbeheerd achter.
- ◆ Voordat u de grasmaaier reinigt, de grasopvangzak verwijdert, het uitwerpschild vrijmaakt, de grasmaaier onbeheerd achterlaat of aanpassingen, reparaties of inspecties uitvoert, moet u altijd de handgreep loslaten zodat de grasmaaier wordt uitgeschakeld en wachten tot het blad tot stilstand is gekomen.
- ◆ Gebruik de grasmaaier alleen bij daglicht of goed kunstlicht, wanneer voorwerpen op de route van het maaiblad duidelijk zichtbaar zijn voor wie met de grasmaaier werkt.
- ◆ Werk niet met de grasmaaier wanneer u onder invloed bent van alcohol of drugs, of wanneer u moe bent of ziek. Blijf altijd goed opletten, kijk wat u doet en gebruik uw gezond verstand.
- ◆ Vermijd gevaarlijke omgevingen. Gebruik de grasmaaier nooit in vochtig of nat gras en nooit wanneer het regent. Zet altijd uw voeten goed neer, wandel en ren nooit.
- ◆ Laat, als de grasmaaier ernstig gaat trillen, de handgreep los, wacht tot het blad tot stilstand is gekomen en onderzoek vervolgens onmiddellijk wat de

oorzaak van het trillen is. Trillen is over het algemeen een waarschuwing voor problemen. Zie het hoofdstuk Problemen oplossen voor advies in het geval van abnormale trilling.

- ◆ Draag altijd goede bescherming voor uw ogen en luchtwegen wanneer u met de grasmaaier werkt.
- ◆ Gebruikt u hulpstukken die niet worden aanbevolen voor deze grasmaaier, dan kan dat leiden tot gevaarlijke situaties. Gebruik uitsluitend accessoires die zijn goedgekeurd door BLACK+DECKER.
- ◆ Reik nooit buiten uw macht tijdens het werken met de grasmaaier. Zorg er altijd voor dat u stevig staat en dat u niet uw evenwicht verliest tijdens het werken met de grasmaaier.
- ◆ Maai dwars over een helling, nooit omhoog en omlaag. Ga zeer voorzichtig te werk wanneer u op een helling van richting verandert.
- ◆ Pas op voor gaten, wielsporen, hobbels, stenen of andere verborgen voorwerpen. Op oneffen terrein kunt u uitglijden en vallen. Hoog gras kan obstakels verbergen.
- ◆ Maai niet op nat gras of al te steile hellingen. Als u niet stevig staat, kunt u uitglijden en vallen.
- ◆ Maai niet in de buurt van taluds, sloten of kades. U zou kunnen uitglijden of uw evenwicht verliezen.
- ◆ Laat de maaier afkoelen voordat u deze opbergt.

Trek de stekker uit het stopcontact en haal de accu uit de machine. Controleer dat alle bewegende onderdelen volledig tot stilstand zijn gekomen:

- ◆ Wanneer u maar de machine onbeheerd achterlaat;
- ◆ Voordat u een blokkade verwijdert;
- ◆ Voordat u het apparaat controleert, reinigt of werkzaamheden eraan uitvoert.

## Veiligheid van anderen

- ◆ Het is niet de bedoeling dat deze machine wordt gebruikt door personen (waaronder kinderen) met verminderde fysieke, zintuiglijke of psychische vermogens, of met een gebrek aan ervaring en kennis, tenzij onder toezicht van of met aanwijzingen over het gebruik van de machine door een persoon die verantwoordelijk is voor hun veiligheid.
- ◆ Er moet toezicht worden gehouden op kinderen zodat zij niet met de machine kunnen spelen.
- ◆ Nadat u een vreemd object hebt geraakt. Inspecteer het apparaat op beschadigingen en voer reparaties uit als dat nodig is;

## Overige risico's.

Er kunnen zich bij het gebruik van dit gereedschap nog meer risico's voordoen, die mogelijk niet in de bijgesloten veiligheidswaarschuwingen worden beschreven. Deze risico's kunnen zich voordoen door onoordeelkundig gebruik, langdurig gebruik, enz.

Zelfs wanneer de veiligheidsvoorschriften in acht worden genomen en de veiligheidsvoorzieningen worden gebruikt, kunnen bepaalde risico's niet worden uitgesloten. Dit zijn onder meer:

- ◆ Verwondingen die worden veroorzaakt door het aanraken van draaiende of bewegende onderdelen.
- ◆ Verwondingen die worden veroorzaakt bij het vervangen van onderdelen, messen of accessoires.
- ◆ Verwondingen die worden veroorzaakt door langdurig gebruik van gereedschap. Wanneer u langere periodes met de machine werkt, kunt u het beste regelmatig een pauze nemen.
- ◆ Gehoorbeschadiging.
- ◆ Gezondheidsrisico's door het inademen van stof dat vrijkomt tijdens het gebruik van uw gereedschap (bijvoorbeeld: het werken met hout, met name eiken, beuken en MDF.)
- ◆ Gebruik, als u met de grasmaaier op een vochtige locatie moet werken, een aardlekschakelaar (Residual Current Device - RCD) met een uitschakelstroom van niet meer dan 30 mA. Het gebruik van een aardlekschakelaar vermindert het risico van een elektrische schok.
- ◆ Til nooit een apparaat op of draag nooit een apparaat terwijl de motor loopt.

## Waarschuwingssymbolen

Behalve de datumcode vindt u op de machine de volgende symbolen:



Waarschuwing! Lees de handleiding voordat u met de machine gaat werken.



Pas op voor de scherpe messen. Nadat u de motor hebt uitgeschakeld, blijven de bladen ronddraaien –  
Neem de veiligheidssleutel uit voordat u onderhoud uitvoert of wanneer het snoer beschadigd is.



Wees bedacht op voorwerpen die worden weggeslingerd.  
Houd omstanders uit de buurt van uw werkgebied.



Draag oogbescherming



Nadat u de machine hebt uitgeschakeld, blijven de bladen nog even draaien.



Richtlijn 2000/14/EG gegarandeerd geluidsvermogen.

## Aanvullende Veiligheidsinstructies voor accu's en laders

### Accu's

- ◆ Probeer nooit om welke reden dan ook de accu open te maken.
- ◆ Stel de accu niet bloot aan water.
- ◆ Stel de accu niet bloot aan hitte.
- ◆ Bewaar de accu niet op locaties waar de temperatuur kan stijgen tot boven 40 °C.

- ◆ Laad de accu uitsluitend op bij een omgevingstemperatuur tussen 10 °C en 40 °C.
- ◆ Laad de accu uitsluitend op met de lader die bij het apparaat/ gereedschap is geleverd. Het gebruik van de verkeerde lader kan een elektrische schok of oververhitting van de accu tot gevolg hebben.
- ◆ Gooi lege accu's weg volgens de instructies in het gedeelte "Het milieu beschermen".
- ◆ Beschadig of vervorm de accubehuizing niet. Doorboor of stoot de behuizing niet, dit kan een risico geven van letsel of brand.
- ◆ Laad beschadigde accu's niet op.
- ◆ Onder extreme omstandigheden kunnen accu's lek raken. Wanneer u merkt dat de accu nat of vochtig is, veeg de vloeistof dan voorzichtig af met een doek. Vermijd contact met uw huid.
- ◆ Volg onderstaande instructies bij huid- of oogcontact.

**Waarschuwing!** De accuvloeistof kan lichamelijk letsel of materiële schade veroorzaken. Bij huidcontact moet u de vloeistof direct afspoelen met water. Raadpleeg uw huisarts als er rode vlekken ontstaan of bij een pijnlijke of geïrriteerde huid. Bij oogcontact moet u de vloeistof direct uitspoelen met water en uw huisarts raadplegen.



Probeer nooit beschadigde accu's op te laden

## Lader

De lader is ontworpen voor een bepaalde spanning.

Controleer altijd dat de netspanning overeenkomt met de waarde op het typeplaatje.

**Waarschuwing!** Probeer nooit de lader te voorzien van een normale netstekker.

- ◆ Gebruik de lader van Black & Decker alleen voor de accu in het apparaat/ het gereedschap waarbij de lader is geleverd. Andere accu's kunnen openbarsten, met letsel en materiële schade tot gevolg.
- ◆ Probeer nooit niet-oplaadbare accu's op te laden.
- ◆ Als het netsnoer is beschadigd, moet dit, om ongelukken te voorkomen, worden vervangen door de fabrikant of door een officieel BLACK+DECKER-servicecentrum zodat geen gevaarlijke situaties kunnen ontstaan.
- ◆ Stel de lader niet bloot aan water.
- ◆ Open de lader niet.
- ◆ Steek nooit een voorwerp in de lader.
- ◆ Plaats de machine/het gereedschap/ de accu tijdens het opladen in een goed geventileerde ruimte.



De adapter is uitsluitend bestemd voor gebruik binnenhuis.



Lees de instructiehandleiding voordat u de lader in gebruik neemt.

**Belangrijk:** Uitsluitend de volgende laders mogen worden gebruikt voor het laden van 54V-accu BL1554 & BL2554:

90589867, 90621477, 90590287-01, 90590289-01, 90602042-01, 90590287-02, 90590289-02, 90599854-02, 90599854-06, 90599853-05, 90634971, 90634972, 90634973, 90642266, 90642264, 90642265, BDC2A

## Elektrische veiligheid



Uw lader is dubbel geïsoleerd; daarom is er geen aardedraad vereist.

Controleer altijd dat de netspanning overeenkomt met de waarde op het typeplaatje. Vervang de lader nooit door een lader met een gewone stekker.

- ◆ Als het netsnoer is beschadigd, moet het worden vervangen door de fabrikant of een officieel BLACK+DECKER-servicecentrum zodat geen gevaarlijke situaties kunnen ontstaan.

## Functies

Dit apparaat heeft enkele van de volgende functies of altemaal.

1. Schakeldoos
2. Hendel voor in-/uitschakelen
3. Bovenste hendel
4. Onderste hendel
5. Bevestigingen bovenste hendel (2)
6. Bevestigingen onderste hendel (2)
7. Stelhendel maaihoogte
8. Grasopvangbak
9. Afdekkap achterste opening
10. Dashboard
11. POWERCOMMAND Accuschakelaar
12. Kap accu-ingang
13. Draaggrepen
14. EdgeMax™

## Laadprocedure

BLACK+DECKER-laders zijn ontworpen voor het laden van BLACK+DECKER-accu's.

- ◆ Steek de lader in een geschikt stopcontact voordat u de accu plaatst.
- ◆ Plaats de accu in de lader.



Het groene LED-lampje gaat knipperen ten teken dat de accu wordt opgeladen.



Wanneer de accu geheel is opgeladen, blijft het groene lampje ononderbroken branden. De accu is volledig opgeladen en kan nu worden gebruikt of kan in de lader blijven zitten.

**Waarschuwing!** Laad accu's die leeg zijn zo spoedig mogelijk na gebruik op, omdat anders de levensduur van de accu mogelijk ernstig wordt bekoet.

### Diagnose van de accu door de lader

Deze lader is zo ontworpen dat bepaalde problemen die zich kunnen voordoen met accu's of met de stroomvoorziening, kunnen worden gedetecteerd. Problemen worden aangeduid door middel van een LED die in verschillende patronen knippert.

### Slechte accu



De lader kan waarnemen of een accu zwak of beschadigd is.

Het rode LED-lampje knippert in een patroon dat op het label wordt aangeduid. Ziet u het lampje in dit patroon van een slechte accu knipperen, ga dan niet door met het opladen van de accu. Breng de accu terug naar het servicecentrum of naar een inzamelingspunt waar de accu kan worden gerecycled.

### Hot/cold pack delay



Wanneer de lader waarneemt dat een accu veel te warm of veel te koud is, wordt onmiddellijk een

Hot/Cold Delay gestart en wordt het laden uitgesteld tot de accu een normale temperatuur heeft bereikt.

Zodra dit het geval is, schakelt de lader automatisch over op de stand Pack Charging. Deze functie waarborgt een maximale levensduur van de accu. Het rode LED-lampje knippert in het patroon dat wordt aangeduid op het label wanneer een Hot/Cold Pack Delay wordt gedetecteerd.

### Belangrijke opmerkingen over opladen

- ◆ De langste levensduur en de beste prestaties kunnen worden behaald als de accu wordt opgeladen wanneer de luchttemperatuur is tussen 16° en 27°C.
- ◆ LAAD de accu NIET op bij een luchttemperatuur lager dan +4,5 °C of hoger dan +40,5 °C.  
Dit is belangrijk en zal ernstige beschadiging van de accu voorkomen.
- ◆ De lader en de accu's zullen tijdens het laden misschien bij aanraking warm aanvoelen. Dit is niet ongevoel en wijst niet op een probleem. Plaats de accu en de lader na gebruik niet in een warme omgeving, zoals een metalen schuur of een niet-geïsoleerde aanhangwagen, laat ze op een koele plaats afkoelen.
- ◆ Als de accu niet goed wordt opgeladen:

- ◆ Controleer de spanning op het stopcontact door een lamp of ander apparaat aan te sluiten
- ◆ Controleer of er op het stopcontact misschien een lichtsakelaar is aangesloten en het stopcontact stroomloos wordt wanneer u de verlichting uitschakelt.
- ◆ Breng de lader en de accu naar een plaats waar de lucht/omgevingstemperatuur ongeveer 16° - 27°C is.
- ◆ Breng, als de problemen met het opladen aanhouden, de machine, de accu en de lader naar het servicecentrum bij u in de buurt.
- ◆ De accu moet worden opgeladen wanneer de accu niet voldoende vermogen levert voor werkzaamheden die eerder zonder veel moeite werden uitgevoerd. WERK NIET LANGER MET HET GEREEDSCHAP onder deze condities. Volg de laadprocedure. U kunt ook een accu die u al hebt gebruikt opladen, wanneer u dat maar wilt, zonder nadelige gevolgen voor de accu.
- ◆ Bepaalde materialen die geleidend zijn, zoals, maar niet uitsluitend, staalwol, aluminiumfolie of een opeenhoping van metaalachtige deeltjes, kunnen beter bij de holtjes van de lader worden weggehouden. Trek altijd de stekker uit het stopcontact wanneer er geen accu in de uitsparing van de lader zit. Trek de stekker van de lader uit het stopcontact voordat u de lader gaat reinigen.
- ◆ Laat de lader niet bevriezen en dompel de lader niet onder in water of andere vloeistoffen.

**Waarschuwing!** Laat geen vloeistof in de lader dringen.

**PROBEER NOOIT OM WELKE REDEN DAN OOK DE ACCU OPEN TE MAKEN. ALS DE KUNSTSTOF BEHU-IZING VAN DE ACCU BREEKT OF SCHEURT, BRENG DE ACCU DAN NAAR EEN SERVICECENTRUM WAAR DEZE KAN WORDEN GERECYCLED.**

### De accu is voorzien van een laadniveau-indicator

De accu is voorzien van een laadniveau-indicator. Hiermee kan het actuele laadniveau in de grasmaaier en tijdens opladen worden weergegeven. De indicator geeft geen aanwijzingen over de functionaliteit van het gereedschap en is onderhevig aan schommelingen afhankelijk van productcomponenten, temperatuur en de toepassing door de eindgebruiker.

### De laadstatus controleren:

- ◆ Druk op de knop van de laadniveau-indicator (A1).
- ◆ De drie LED-lampjes (A2) gaan branden en geven het percentage van de lading van de accu aan. Zie het schema in afbeelding A.
- ◆ Als er geen LED-lampje brandt, moet u de accu opladen.

### De accu installeren en verwijderen

**Waarschuwing!** Controleer dat de veiligheidssleutel is uitgenomen zodat de machine niet kan worden ingeschakeld, verwijder of plaats vervolgens pas de accu.

### Accu's plaatsen:

- ◆ Maak de accuopening (15) toegankelijk door de kap (12) van de opening op te tillen.
- ◆ Schuif de accu (16) in de accupoort tot deze geheel op zijn plaats zit en u een klik hoort (afbeelding B). Controleer dat de accu geheel op zijn plaats zit en goed is vergrendeld. Herhaal deze procedure voor de tweede accupoort.
- ◆ Sluit de kap van de accupoort. Start de grasmaaier pas wanneer u hebt gecontroleerd dat de kap volledig is vergrendeld.

### Accu's uitnemen:

- ◆ Open de kap (12) van de accupoort, zoals hierboven wordt beschreven.
- ◆ Druk de vrijgaveknop (16a) van de accu in en trek de accu uit het gereedschap, zoals wordt getoond in afbeelding C.

### Selectie POWERCOMMAND-accu

**Waarschuwing!** Controleer dat de veiligheidsleutel is uitgenomen zodat u de machine niet kunt inschakelen voordat een actieve accu is geselecteerd.

De grasmaaier is voorzien van een selectieknop (11) voor een POWERCOMMAND-accu. Wanneer u op deze knop drukt, kan de accu langer functioneren. Druk op de accuselectieknop (afbeelding D) aan de linker- of de rechterzijde.

- ◆ De zijde die is gemarkeerd met "1", activeert de accupoort aan de linkerzijde.
- ◆ De zijde die is gemarkeerd met "2", activeert de accupoort aan de rechterzijde.

**Opmerking:** De grasmaaier kan worden gebruikt met een enkele accu als de schakelaar in de juiste stand staat.

### Actieve accu, laadstatus-indicators

**Opmerking:** De laadstatus wordt alleen aangegeven wanneer een accu is ingezet, of wanneer de grasmaaier wordt ingeschakeld, of wanneer een enkele accu is geplaatst en de schakelaar is omgezet voor gebruik in die stand.

Deze grasmaaier is voorzien van een laadstatus-indicator die zich aan de onderzijde van het dashboard (10) bevindt. Hiermee wordt weergegeven wat de actieve accupoort is en het actuele niveau van de lading van de actieve accu wordt aangeduid. Wanneer een accu in de accupoorten is geplaatst, zullen de drie LED-lampjes van het laadniveau 3 seconden oplichten, het actuele laadniveau van de accu tonen en volgens uitgaan. Zolang de grasmaaier in gebruik is, wordt het actuele laadniveau voor de geselecteerde, actieve accu weergegeven.

- ◆ Wanneer de grasmaaier voor de eerste keer in gebruik wordt genomen, zullen alle LED-indicatielampjes op het dashboard (10) enige tijd oplichten.
- ◆ De LED-lampjes op het dashboard voor de inactieve accuzijde zullen uitgaan.

- ◆ De dashboard LED-lampjes van de actieve accuzijde (17) zullen blijven branden en de drie LED-laadstatusindicatoren (18) zullen het percentage lading in de accu aanduiden. (Zie het schema in afbeelding A.)
  - ◆ Als er geen LED-lampjes voor de actieve accu branden, schakel dan met behulp van de knop (11) voor de accuselectie over naar de inactieve accu. Laad de accu op als geen van de LED-lampjes van de accu brandt.
- Opmerking:** De LED-lampjes en de schakelfuncties werken alleen zoals wordt beschreven, als de veiligheidsleutel is geplaatst.

### DUALVOLT 54V Accu (Afb C1.)

De DUALVOLT 54V accu kan worden gebruikt in snoerloos gereedschap van 54V & 18V van Black+Decker. De accu kan herkennen in welk gereedschap het is geplaatst en werkt op het juiste vermogen, waarbij 18V-gereedschap langer werkt. Er is een knop (16b) voor de laadstatus, die de laadstatus aanduidt bij zowel 54V als 18V.

### Montage

**Waarschuwing!** Let er vooral op dat voorafgaand aan de montage de handgreep is vrijgezet en de veiligheidsleutel is uitgenomen.

### De onderste handgreep bevestigen

- ◆ Breng de onderste hendel (4) omhoog en let erop dat de pijl (19) op de grondplaat van de grasmaaimachine tegenover 1, 2 of S op de grondplaat van de handgreep(20) staat (inzet van Afbeelding F)

**Opmerking!** Controleer dat elke zijde van de onderste handgreep op hetzelfde cijfer staat. Voor gebruik moet de pijl tegenover 1 of 2 staan.

- ◆ Sluit de hoogteaanpassingen (6) van de handgreep, zoals in afbeelding F wordt getoond. Controleer, wanneer u beide sluit, dat de tanden ingrijpen zoals wordt getoond in Afbeelding G.
- ◆ Als de verbinding tussen de handgreep en de hendel te los is, open dan de hendel en stel de hoogte van de hendel af door de hendel te draaien. Sluit de hendel weer, zo dat de tanden volledig in elkaar grijpen en elke hendel stevig gesloten blijft.

### De bovenste handgreep bevestigen (afb. H)

De bovenste handgreep heeft gaten (21) voor drie verschillende posities, en daarmee kan de lengte van de handgreep op de maaier worden afgesteld. Met het eerste stel gaten, die zich bijna onderaan de buis van de bovenste handgrepen bevinden, kan de handgreep op maximale lengte worden afgesteld. Wanneer u de middelste en de bovenste montageposities gebruikt, wordt de lengte van de handgreep korter

- ◆ Verwijder de bevestigingen (5) van de bovenste hendel, de moeren (22) en de ringen (23) van de handgreep.

- ◆ Houd de gaten aan de onderzijde van de bovenste handgreep (3) tegenover de gaten bovenaan de onderste handgreep (4).

**Opmerking:** Let erop dat het snoer zich aan de voorzijde van beide handgrepen bevindt, zoals wordt getoond in Afbeelding I. Als dat niet het geval is, kan het snoer in de war raken en kan het moeilijk blijken te zijn de grasmaaier te stallen.

- ◆ Schuif vanaf de buitenzijde van de bovenste handgreep (3), de bout van de hendel door de gaten.
- ◆ Schuif de ring over de bout van de hendel en monteer het geheel losjes met de bout.
- ◆ Draai de bovenste handgreep in de werkstand.
- ◆ Sluit de hendel. Als deze te vast of te los zit, open dan de hendel en de moer en stel de bevestiging af. Controleer de hendels voordat u ze sluit. Zij moeten vast genoeg zijn voor een stevige bevestiging van de handgrepen, maar zo los dat de hendels volledig kunnen worden gesloten. Stel ze af door de hendel te openen en de moer te draaien tot de handgrepen stevig vastzitten.

### De kabel van de motor vastzetten (afb. I)

**Waarschuwing:** Bevestig de kabel zo dat deze niet uittrekt of klem komt te zitten in de handgrepen tijdens gebruik of bij het invouwen. Hierdoor kan het snoer beschadigd raken.

De kabel van de motor moet op de handgrepen worden vastgezet met kabelklemmen die al aan de handgreep zijn bevestigd.

De kabel aan de handgrepen klemmen:

- ◆ Plaats de handgrepen in de werkstand, zie hoofdstuk "Onderste handgreep bevestigen".
- ◆ Leid de kabel omhoog langs de voorzijde van de onderste en bovenste handgrepen.
- ◆ Trek de kabelklem terug.
- ◆ Schuif de motorkabel onder de klem en controleer dat de kabel volledig op zijn plaats wordt gehouden door de klem.

### Zakken

**Waarschuwing:** verwijder sleutel en accu's voordat u het hulpstuk voor zijwaarts uitwerpen en de mulch-inzet verwijdert, en wanneer u de kap van de achterste opening opent en de grasopvangzak plaatst.

- ◆ Let erop dat het hulpstuk voor zijwaarts uitwerpen (26) (Afbeelding M) en de mulch-inzet (27) (Afbeelding L) van de grasmaaier moeten worden verwijderd voordat de zakken worden geplaatst.
- ◆ Haal de kap (9) van de achterste opening omhoog en plaats de grasopvangzak (8) op de maaimachine, zo dat de zakhaken (28) op de ogen (29) rusten, zoals wordt getoond in Afbeelding K. Breng vervolgens de kap van de achterste opening omlaag.

### Mulchen

**Waarschuwing!** Verwijder de sleutel en de accu's voordat u het hulpstuk voor zijwaarts uitwerpen en de opvangzak verwijdert, en wanneer u de mulch-inzet plaatst.

- ◆ Controleer dat het hulpstuk voor zijwaarts uitwerpen (26) en de opvangzak (8) niet zijn bevestigd.
- ◆ Breng de kap (9) van de achterste opening omhoog en schuif de mulch-inzet (27) geheel op de maaimachine, zoals wordt getoond in Afbeelding L.
- ◆ Schakel de maaimachine pas in, wanneer u hebt gecontroleerd dat de kap van de achterste opening volledig sluit.

### Zijopening

**Waarschuwing!** Verwijder sleutel en accu's voordat u de opvangzak verwijdert, en wanneer u de mulch-inzet het hulpstuk voor zijwaarts uitwerpen plaatst.

- ◆ Controleer dat de opvangzak (8) is verwijderd.
- ◆ Breng de achterste flap (9) omhoog en schuif de mulch-inzet (27) geheel op de grasmaaier, zoals wordt getoond in Afbeelding L.
- ◆ Breng de zijflap (30) omhoog en haak het hulpstuk (26) voor het zijwaarts uitwerpen op de maaimachine, zoals wordt getoond in Afbeelding M.
- ◆ Laat de zijflap los en controleer dat het hulpstuk op zijn plaats blijft, voor u de maaimachine inschakelt, zoals wordt getoond in de inzet van Afbeelding M.

### Bediening

Lees deze instructiehandleiding voordat u de grasmaaier in gebruik neemt.

Zie "Functies" zodat u weet waar de diverse bedieningsfuncties en afstel mogelijkheden zich bevinden. Bewaar deze handleiding zodat u deze later ook nog kunt raadplegen.

**Waarschuwing!** Laat de maaimachine op zijn eigen snelheid werken. Overbelast de machine niet.

**Waarschuwing!** Scherp bewegend blad. Gebruik de grasmaaier niet in de stand voor zijwaarts uitwerpen of in de mulch-stand, als de achterste opening niet onder veerdruk is gesloten, omdat dit ernstige verwondingen tot gevolg zou kunnen hebben. Breng uw grasmaaier voor reparatie naar het servicecentrum bij u in de buurt.

### Hoogte van de handgreep afstellen (afb. N)

- ◆ Open de beide bevestigingshendels (6) van de onderste handgreep.
- ◆ Stel de handgreep zo af dat de pijl (19) op de grondplaat van de maaimachine tegenover 1 of 2 op de grondplaat van de handgreep (20) staat. Controleer dat de handgreep aan beide zijden van de maaimachine is afgesteld op hetzelfde cijfer.
- ◆ Sluit beide bevestigingshendels en controleer dat de handgreep stevig is vergrendeld en de tanden ingrijpen, zoals wordt getoond in de inzet.

## Hoogte van de maaimachine afstellen (afb. O)

De maaihoogte kan worden afgesteld met de centrale maaihoogte-afstelling, u kunt kiezen uit 7 standen.

**Opmerking:** Als u niet zeker weet op welke hoogte u moet maaien, begin dan te maaien met de hoogte-afstelling (7) in stand 7 en stel de hoogte, naar behoefte, naar beneden bij, zoals wordt getoond in afbeelding O.

De maaihoogte instellen:

- ◆ Trek de hendel (7) van de hoogte-afstelling van de maaimachine los van de vergrendelingsnok (31).
- ◆ Verplaats de hendel in de richting van de achterzijde van de maaimachine als u de maaihoogte wilt laten toenemen.
- ◆ Verplaats de hendel in de richting van de voorzijde van de maaimachine als u de maaihoogte wilt laten afnemen.
- ◆ Duw de hendel voor de afstelling van de maaihoogte vast op één van de zeven vergrendelingsnokken.

## Veiligheidsleutel

Ter voorkoming van het onbedoeld starten of onbevoegd gebruik van uw snoerloze maaimachine is er een uitneembare veiligheidsleutel (32) in het ontwerp van de maaimachine opgenomen. De maaimachine wordt volledig uitgeschakeld wanneer u de veiligheidsleutel uit de maaimachine haalt.

**Opmerking:** De veiligheidsleutel heeft een gat in het midden zodat u de sleutel kunt opbergen aan een spijker, buiten bereik van kinderen. Maak de veiligheidsleutel niet vast aan de maaimachine.

**Waarschuwing!** roterende bladen kunnen ernstige verwondingen veroorzaken. Voorkom ernstig letsel, neem de veiligheidsleutel uit wanneer u de maaimachine onbeheerd achterlaat, of wanneer u deze oplaadt, schoonmaakt, naziet, vervoert, optilt of stalt.

## Maaimachine starten

**Waarschuwing!** Scherp bewegend blad. Probeer nooit de werking van deze schakelaar plus de veiligheidsleutel uit te schakelen, Dit kan ernstige verwondingen tot gevolg hebben.

**Opmerking:** Maaimachine is klaar voor gebruik wanneer de accu en de veiligheidsleutel zijn geplaatst.

- ◆ Steek de veiligheidsleutel (32) in de schakelaar (1) tot deze volledig in de schakelaar valt zoals wordt getoond in afbeelding P. De maaimachine is nu klaar voor gebruik.
- ◆ Uw maaimachine is voorzien van een speciale aan-uit-schakelkast. Duw, wanneer u de maaimachine wilt gebruiken, op de knop (33) op de schakelkast (1), trek vervolgens de hendel voor in-/uitschakelen (2) naar de handgreep, zoals wordt getoond in afbeelding Q. Wanneer de maaimachine start, kunt u de knop loslaten.
- ◆ Wanneer u de maaimachine wilt uitschakelen, hoeft u alleen maar de hendel voor in-/uitschakelen los te laten.

**Waarschuwing!** Probeer nooit een schakelaar of de hendel voor in-/uitschakelen (2) in de ingeschakelde stand te vergrendelen.

**Opmerking:** Wanneer de handgreep in de oorspronkelijke positie is teruggekeerd, activeert deze het "Automatisch Remsysteem".

De motor wordt elektrisch geremd en het maaiblad van de grasmaaier komt in 3 seconden of minder tot stilstand.

## Overbelasting van de maaimachine

Vorkom beschadiging door overbelasting, maai niet te veel gras tegelijkertijd. Ga langzamer maaien of verhoog de maaihoogte.

## EdgeMax™

Met EdgeMax™ (14) kunt u het gras maaien tot aan de rand van een muur of schutting (afb. R1).

Met EdgeMax™ kunt u ook de gazonranden netjes maaien (afb. R2).

- ◆ Duw, terwijl de grasmaaier parallel loopt aan de rand van uw gazon, de machine langs de rand. Let erop dat de EdgeMax™ iets over de rand van het gazon komt (afb. R2).

**Opmerking:** Wanneer het zij-uitwerphulpstuk is bevestigd kan de EdgeMax™ alleen aan de linkerzijde van de maaimachine worden gebruikt.

## Opslag

**Waarschuwing!** Het roterende maaiblad kan ernstige verwondingen veroorzaken.

Schakel de maaimachine uit door de hendel voor in-/uitschakelen (2) los te laten, neem de veiligheidsleutel uit, haal de accu uit de machine en til dan pas de machine op voor het transport en opslag. Berg de machine op een droge plaats op.

**Waarschuwing!** Voorkom dat u uw vingers klemt, houd uw vingers weg bij de handgrepen wanneer u deze invouwt.

**Waarschuwing!** Let erop dat u bij het invouwen van de handgrepen het snoer niet uitrekt of afklemt. Hierdoor kan het snoer beschadigd raken.

U kunt de handgreep van de maaimachine gemakkelijk invouwen en de machine snel en handig stallen.

- ◆ Open de bevestigingen (6) van de onderste handgreep, terwijl u de handgreep vasthoudt, maar verwijder de bevestigingen niet, en vouw de handgreep naar de voorzijde van de maaimachine, zoals wordt getoond in afbeelding S.
- ◆ Stel de handgreep zo af dat de pijl (19) op de grondplaat van de maaimachine tegenover "S" (20) staat. Controleer dat de handgreep aan beide zijden van de maaimachine hetzelfde is afgesteld.
- ◆ Sluit de beide bevestigingen en controleer dat de handgreep stevig is vergrendeld.
- ◆ Open de bevestigingen (5) van de bovenste handgreep, maar verwijder deze niet, en vouw de bovenste handgreep (3) terug over de onderste handgreep (4), zoals wordt getoond in Afbeelding T.



- ◆ De maaimachine moet dan zijn ingevouwen als wordt getoond in Afbeelding U.

## De maaier dragen

- ◆ U kunt de maaimachine dragen aan de comfortabele draaghandgrepen (13) zoals wordt getoond in afbeelding V. **PROBEER NIET** de maaimachine op te tillen aan de bovenste handgreep (3) of de onderste handgreep (4).

## Maaitips

**Waarschuwing!** Inspecteer altijd het gebied waar de maaimachine moet worden gebruikt en verwijder alle stenen, takken, draden, hondenkluiwen en andere brokstukken die door het roterende maaiblad zouden kunnen worden weggeslingerd.

**Waarschuwing!** Maai dwars over het vlak van een helling, nooit omhoog en omlaag. Ga zeer voorzichtig te werk wanneer u op een helling van richting verandert. Maai uitzonderlijk steile hellingen niet. Zorg er altijd voordat u stevig staat.

- ◆ **Laat de hendel voor het in-/uitschakelen los en schakel de maaimachine uit wanneer u over grindoppervlakken loopt (de stenen kunnen door het roterende maaiblad worden weggeslingerd).**
- ◆ Stel de grasmaaier op de hoogste maaihoogte in wanneer u een ruwe ondergrond of in hoog onkruid maait. Wanneer u te veel gras tegelijk verwijdert, kan de motor overbelast raken. In dat geval komt de motor tot stilstand. Zie de handleiding Problemen oplossen.
- ◆ Als u een grasopvangzak (8) gebruikt in periodes waarin het gras snel groeit, kan het gras bij de uitwerpopening een verstopping veroorzaken. Laat de hendel voor in-/uitschakelen los en schakel de maaimachine uit, neem vervolgens de veiligheidsleutel uit. Neem de grasopvangbak los en schud het gras tot achterin de zak. Verwijder ook het gras of de rommel die zich misschien rond de uitwerpopening heeft verzameld. Plaats de grasopvangbak weer.
- ◆ Als de machine abnormaal begint te trillen, schakel de machine dan uit door de handgreep los te laten en neem de veiligheidsleutel uit. Kijk onmiddellijk wat de oorzaak van het trillen is. Trillen is een waarschuwing dat er een probleem is. Gebruik de grasmaaier pas weer wanneer er een servicecontrole is uitgevoerd. Zie de gids Problemen oplossen in de handleiding.
- ◆ Laat altijd de handgreep los en schakel de maaimachine uit, wanneer u de maaimachine onbeheerd achterlaat, ook al is het maar voor even.

## Tips voor optimale prestaties

- ◆ Ga langzamer maaien op plaatsen waar het gras heel lang en dik is.
- ◆ Maai geen gras dat nat is door de regen of drijfnat is van de dauw.

- ◆ Maai uw gazon regelmatig, vooral wanneer het hard groeit.

**Opmerking:** U kunt het beste uw maaimachine na gebruik opladen, zodat de accu langer meegaat.

Vaak opladen is niet schadelijk voor uw accu, en maakt dat de accu volledig is opgeladen en klaar is voor de volgende maaibeurt van uw gazon. Wanneer u de accu opbergt terwijl deze niet volledig is opgeladen, zal dat de levensduur van de accu bekorten.

## Maaiblad verwijderen en installeren

**Waarschuwing!** Wanneer u het systeem van maaibladen weer monteert, is het belangrijk dat u ieder onderdeel goed installeert, zoals hieronder wordt beschreven.

Een onjuiste montage van het maaiblad of van andere onderdelen van het systeem van maaibladen kan leiden tot ernstig letsel.

**Waarschuwing!** Laat de hendel voor in-/uitschakelen los zodat de maaier wordt uitgeschakeld, wacht tot het maaiblad tot stilstand is gekomen en neem de veiligheidsleutel uit.

- ◆ **Zaag een stuk hout van 2x4 (34) (ongeveer 60 cm lang), en plaats dat zo dat het maaiblad niet kan bewegen wanneer u de bout losdraait (35).**
- ◆ **Draag handschoenen en geschikte oogbescherming.**
- ◆ Draai de maaimachine op haar zij. Wees voorzichtig met de scherpe randen van het maaiblad. Plaats het stuk hout en draai de bout los met een steeksleutel van 13 mm (36), zoals wordt getoond in afbeelding W.
- ◆ Let goed op hoe ieder onderdeel is gemonteerd. Verwijder de bout (35) en de ring (37). Trek het maaiblad (38) los, zoals wordt getoond in afbeelding X. De ventilator (39) mag niet worden verwijderd. Inspecteer alle onderdelen op schade en vervang onderdelen als dat nodig is.
- ◆ Het maaiblad kan maar in één richting op de ventilator worden bevestigd. U monteert het maaiblad weer door het D-vormige gat van het maaiblad tegenover de D-vormige stang van de ventilator te houden, terwijl u erop let dat de tekst op het maaiblad naar de buitenzijde van de maaimachine wijst.
- ◆ U zet het maaiblad vast door het stuk hout te plaatsen zoals in afbeelding Y wordt getoond, zodat het maaiblad niet kan draaien. Schuif de bout door de ring en zet de bout met een steeksleutel van 13 mm (36) vast door deze naar rechts te draaien, zoals in Afbeelding Y wordt getoond.

## Maaimessen slijpen

Houd het maaimess scherp zodat de maaimachine optimaal kan presteren. Een bot maaimess snijdt het gras niet goed af. Draag geschikte oogbescherming wanneer u een maaimess verwijdert, slijpt en installeert. Neem vooral de veiligheidsleutel en de accu uit de maaimachine.

Onder normale omstandigheden is tweemaal slijpen tijdens een maaiseizoen wel voldoende.

Zand zorgt ervoor dat het blad snel bot wordt. Als uw gazon zanderige aarde heeft, zult u het blad misschien vaker moeten slijpen.

**Opmerking:** Vervang een verbogen of beschadigd maaiblad direct.

Bij het slijpen van het maaiblad:

- ◆ Controleer dat het maaiblad in balans blijft.
- ◆ Slijp het maaiblad onder de oorspronkelijke maaivoet.
- ◆ Slijp de snijkanten aan beide zijden van het maaiblad en verwijder gelijke hoeveelheden materiaal van beide zijden.

### Blad slijpen in een bankschroef (afb. V)

- ◆ Verwijder pas het maaiblad, nadat u hebt gecontroleerd dat de handgreep los is, het maaiblad tot stilstand is gekomen en de accu uit de maaimachine is gehaald.
- ◆ Verwijder het maaiblad van de maaimachine. Zie instructies voor het verwijderen en installeren van het maaiblad.
- ◆ Zet het maaiblad (38) vast in een bankschroef (40).
- ◆ Draag geschikte oogbescherming en handschoenen en wees voorzichtig dat u zich niet snijdt.  
Vrij de snijranden van het blad voorzichtig met een fijngetaande vijl (41) of een slijpsteen, handhaaf de hoek van de oorspronkelijke snijrand. Controleer de balans van het maaiblad. Zie de instructies voor het uitbalanceren van het maaiblad.
- ◆ Plaats het maaiblad weer op de maaimachine en zet het stevig vast.

### Blad uitbalanceren

Controleer de balans van het blad (38) door het middengat in het blad op een spijker of de ronde steel van een schroevendraaier te plaatsen die horizontaal in een bankschroef is geklemd. Als een uiteinde van het zaagblad omlaag draait, vijl dan langs de scherpe rand van dat omlaag draaiende gedeelte. Het maaiblad is goed uitgebalanceerd wanneer geen van de uiteinden omlaag draait.

### Smering

Smeren is niet nodig.olie de wielen niet. Ze hebben kunststof lageroppervlakken waar geen smering voor nodig is.

### Reiniging

Laat de handgreep (2) los zodat de maaimachine wordt uitgeschakeld, laat het maaiblad tot stilstand komen en neem vervolgens de veiligheidssleutel uit. Gebruik alleen milde zeep en een vochtige doek om de maaier te reinigen. Verwijder grasresten die zich aan de onderzijde van de maaier hebben verzameld. Controleer na meerdere malen gebruiken dat alle blootgestelde bevestigingen nog wel vast zitten.

### Roest voorkomen

Meststoffen en andere tuinchemicaliën bevatten stoffen die de roestvorming van metalen sterk versnellen. Als u op plaatsen maait waar meststoffen of andere chemicaliën zijn gebruikt, moet de maaier daarna onmiddellijk als volgt worden gereinigd:

Laat de hendel voor in-/uitschakelen (2) los en schakel de maaimachine uit, neem de veiligheidssleutel en de accu uit de machine. Neem alle blootgestelde onderdelen af met een vochtige doek.

### Onderhoud

Uw BLACK+DECKER-machine/-gereedschap (met netsnoer/snoerloos) is ontworpen om gedurende langere tijd te functioneren met een minimum aan onderhoud. U kunt de maaimachine naar volle tevredenheid blijven gebruiken als u voor correct onderhoud zorgt en de machine regelmatig schoonmaakt.

**Waarschuwing!** Ga altijd als volgt te werk voor u onderhoud aan het gereedschap (met snoer/snoerloos) uitvoert:

- ◆ Schakel de machine/het apparaat uit en neem de veiligheidssleutel en de accu uit.
- ◆ Maak de accu helemaal leeg, als de accu is ingebouwd en schakel de machine uit.
- ◆ Neem de lader uit het stopcontact voordat u deze schoonmaakt. Behalve regelmatige reiniging vraagt de lader geen onderhoud.
- ◆ Reinig regelmatig de ventilatieopeningen van het gereedschap/de machine en de lader met een zachte borstel of droge doek.
- ◆ Reinig de behuizing van de motor regelmatig met een vochtige doek. Gebruik niet een schurend schoonmaakmiddel of een schoonmaakmiddel op basis van een oplosmiddel.
- ◆ Schraap regelmatig met een botte krabber gras en vuil van onder de beschermkap.

### Problemen oplossen

Ga te werk volgens onderstaande instructies, als de machine niet goed lijkt te functioneren. Neem contact op met het BLACK+DECKER-servicecentrum bij u in de buurt, als u het probleem niet kunt verhelpen.

**Waarschuwing!** Laat voordat u verder gaat, de handgreep voor in-/uitschakelen los, wacht tot het maaiblad tot stilstand is gekomen.

Probleem	Mogelijke oplossing
De maaimachine loopt niet wanneer de handgreep wordt geactiveerd	Controleer dat de stroomvoorziening van de maaimachine in orde is en dat de knop op de schakelkast volledig is ingedrukt, voordat u aan de handgreep trekt.
	Laat de handgreep voor in-/uitschakelen los en zet de maaimachine uit. Neem de veiligheidsleutel en de accu uit, keer de maaiër om en controleer dat het maaiblad vrij kan draaien.
	Controleer dat de accu ruimte vrij is van vuil en de accu goed is aangesloten.
	Is de accu volledig opgeladen? Druk op de knop voor het laadniveau.
De motor stopt tijdens het maaien.	Laat de handgreep voor in-/uitschakelen los en zet de maaimachine uit. Neem de veiligheidsleutel en de accu uit, keer de maaiër om en controleer dat het maaiblad vrij kan draaien.
	Verhoog de maaihoogte van de wielen naar de hoogste positie en start de maaiër.
	Controleer dat de accu ruimte vrij is van vuil en de accu goed is aangesloten.
	Is de accu volledig opgeladen? Druk op de knop voor het laadniveau
De maaimachine werkt maar het maaien verloopt niet naar tevredenheid.	Overbelast de maaiër niet Ga langzamer maaien of verhoog de maaihoogte
	Laat de handgreep voor in-/uitschakelen los en zet de maaimachine uit. Neem de veiligheidsleutel uit. Keer de maaiër om en controleer: <ul style="list-style-type: none"> <li>◆ Het blad op scherpte – houd het blad scherp.</li> <li>◆ Het dek en de uitwerpopening op verstoppingen.</li> </ul>
De maaiër is moeilijk te duwen.	De aanpassing van de wielhoogte kan te laag zijn ingesteld voor de staat van het gras. Verhoog de maaihoogte.
	Laat de handgreep voor in-/uitschakelen los en zet de maaimachine uit. Neem de veiligheidsleutel uit. Verhoog de maaihoogte zodat de wrijving tussen het dek en het gras afneemt. Controleer dat de wielen allemaal vrij kunnen draaien.
De maaiër is luidruchtiger dan normaal en trilt.	Laat de handgreep voor in-/uitschakelen los en zet de maaimachine uit. Neem de veiligheidsleutel uit. Draai de maaiër op zijn kant en controleer het blad zodat u er zeker bent dat het niet gebogen of beschadigd is. Als het blad beschadigd is, vervang het door een vervangings-maaiblad van BLACK & DECKER. Is de onderzijde van het dek beschadigd, breng dan de maaimachine terug naar een geautoriseerd servicecentrum van BLACK & DECKER.
	Als er geen zichtbare schade aan het blad is en de maaiër blijft trillen. <ul style="list-style-type: none"> <li>◆ Laat de handgreep voor in-/uitschakelen los en zet de maaimachine uit.</li> <li>◆ Neem de veiligheidsleutel uit.</li> <li>◆ Demonteer het gehele maaiblad zoals beschreven wordt in het hoofdstuk "Maaiblad verwijderen en installeren".</li> <li>◆ Verwijder alle vuil en maak elk deel schoon.</li> <li>◆ Plaats elk onderdeel weer terug zoals beschreven wordt in het hoofdstuk "Maaiblad verwijderen en installeren".</li> </ul>
	Als de maaimachine nog steeds trilt, breng de machine dan terug naar een geautoriseerd servicecentrum van BLACK & DECKER.
LED's van de acculader branden niet.	Controleer dat de stekker goed in het stopcontact zit.
	Vervang de lader

Probleem	Mogelijke oplossing
De maaiër pakt het gemaaid gras niet op.	De grasopvang zit verstopt. Laat de handgreep voor in-/uitschakelen los en zet de maaimachine uit. Neem de veiligheidsleutel uit. Haal het gemaaid gras uit de grasopvang.
	Verhoog de maaihoogte van de wielen zodat het gras minder kort wordt gemaaid.
	De zak is vol. Leeg de zak vaker.

## Het milieu beschermen



Gescheiden afvalinzameling. Producten en accu's die zijn voorzien van dit symbool mogen niet bij het normale huishoudafval worden weggegooid.

Producten en accu's bevatten materialen die kunnen worden teruggewonnen of gerecycled, wat de vraag naar grondstoffen doet afnemen. Recycle elektrische producten en accu's volgens de ter plaatse geldende bepalingen. Nadere informatie is beschikbaar op [www.2helpU.com](http://www.2helpU.com)

## Technische gegevens

		CLM5448PC	CLM5448PCB
Spanning	V <sub>dc</sub>	54V	54V
Onbelaste snelheid	min <sup>-1</sup>	0 - 2900	0 - 2900
Gewicht	kg	26,62	24,15
Bladlengte	mm	48	48
Accu		BL2554	Kale machine. (Geen accu geleverd)
Spanning	V <sub>DC</sub>	54/18v DUALVOLT	
Capaciteit	Ah	2,5	
Type		Li-Ion	
Lader		BDC2A	Kale machine. (Geen lader geleverd)
Ingangsspanning	V <sub>AC</sub>	220 - 240	
Uitgangsstroom	mA	2000mA	
Oplaadtijd ongev.	h.	3,75	

Waarde gewogen trilling hand/arm:  
 $= 4,4 \text{ m/s}^2$ , onzekerheid (K) =  $1,5 \text{ m/s}^2$ .

$L_{w}$  (geluidsdruk) 83 dB(A)  
onzekerheid (K) = 2,5 dB(A)

**EG-conformiteitverklaring**  
**RICHTLIJN VOOR MACHINES**  
**RICHTLIJN VOOR GELUID BUITENSHUIS**



CLM5448PC, CLM448PCB gazonmaaier

Bezoek onze website [www.blackanddecker.nl](http://www.blackanddecker.nl), waar u uw nieuwe Black & Decker-product kunt registreren en informatie kunt verkrijgen over nieuwe producten en speciale aanbiedingen.

Black & Decker verklaart dat deze producten, die zijn beschreven onder 'Technische gegevens', voldoen aan:  
2006/42/EC, EN 60335-1:2012 + A11:2014,  
EN 60335-2-77:2010

2000/14/EC, Gazonmaaier, L < 50cm, Bijlage VI,  
DEKRA Certification B.V., Utrechtseweg 310, ED Arnhem  
Aangemelde instantie in Nederland ID Nr.: 0344

Niveau van akoestisch vermogen volgens 2000/14/EG (Artikel 12, bijlage III, L ≤ 50cm):

$L_m$  (gemeten geluidsvermogen) 89,5 dB(A)  
onzekerheid (K) = 1,2 dB(A)

$L_m$  (gegarandeerd geluidsvermogen) 96 dB(A)

Deze producten voldoen tevens aan richtlijn 2014/30/EU en 2011/65/EU. Neem voor meer informatie contact op met Black & Decker op het volgende adres of raadpleeg de achterzijde van de handleiding.

Ondergetekende is verantwoordelijk voor de samenstelling van het technische bestand en legt deze verklaring af namens Black & Decker.



R. Laverick  
Director of Engineering  
Black & Decker Europe, 210 Bath Road, Slough,  
Berkshire, SL1 3YD  
Verenigd Koninkrijk  
26-8-2016

## Garantie

Black & Decker heeft vertrouwen in zijn producten en biedt consumenten een garantie van 24 maanden vanaf de aankoopdatum. Deze garantie vormt een aanvulling op uw wettelijke rechten en beperken deze niet. De garantie is geldig op het grondgebied van de Lidstaten van de Europese Unie en de Europese Vrijhandelszone.

Voor een garantie-aanspraak moet uw aanspraak in overeenstemming zijn met de Voorwaarden en Condities van Black&Decker en moet u een bewijs van aankoop overleggen aan de verkoper of aan een geautoriseerde reparatiemoniteur. Voorwaarden en condities van de 2-jarige garantie van Black&Decker en het adres van de vestiging van het geautoriseerde reparatiecentrum bij u in de buurt, kunt u vinden op internet op [www.2helpU.com](http://www.2helpU.com), of door contact op te nemen met het Black & Decker-kantoor ter plaatse, op het adres dat in deze handleiding wordt vermeld.

**Uso previsto**

Los cortacéspedes CLM5448PC & CLM5448PCB de BLACK+DECKER han sido diseñados para cortar hierba. Estos aparatos han sido concebidos únicamente para uso doméstico.

**Instrucciones de seguridad**

**Advertencia.** Si utiliza aparatos inalámbricos, es necesario seguir las precauciones de seguridad básicas, incluidas las que se indican a continuación, para reducir el riesgo de incendios, descargas eléctricas, lesiones personales y daños materiales.

**Advertencia.** Cuando utilice el aparato, debe seguir las normas de seguridad. Por su propia seguridad y por la de otras personas, lea estas instrucciones antes de utilizar el aparato. Conserve estas instrucciones para consultarlas en un futuro.

- ◆ Lea todo el manual detenidamente antes de utilizar el aparato.
- ◆ En este manual se describe el uso previsto del aparato. La utilización de accesorios o la realización de operaciones distintas a las recomendadas en este manual de instrucciones puede presentar un riesgo de lesiones.
- ◆ Conserve este manual para futuras consultas.

**Utilización del aparato**

Tenga siempre cuidado al utilizar el aparato.

- ◆ Este aparato no está pensado para ser utilizado por menores o personas que no cuentan con la fuerza necesaria, sin supervisión.

- ◆ Este aparato no debe ser utilizado como un juguete.
- ◆ Evite que los niños y animales se acerquen a la zona de trabajo y toquen el aparato o el cable de alimentación.
- ◆ Tenga cuidado cuando utilice el aparato cerca de los niños.
- ◆ Utilícelo únicamente en lugares secos. Tenga cuidado de no mojar el aparato.
- ◆ No sumerja el aparato en agua.
- ◆ No abra la carcasa.  
Este aparato no contiene piezas que puedan ser reparadas por el usuario.
- ◆ No utilice el aparato en atmósferas explosivas, como en presencia de líquidos, gases o polvos inflamables.
- ◆ Para evitar dañar los enchufes y los cables, no tire del cable para extraer el enchufe de la toma de corriente.
- ◆ Antes de utilizar este aparato, compruebe siempre que la cuchilla, el perno de la cuchilla y el montaje de la cuchilla no estén desgastados o dañados.  
Sustituya las cuchillas y los pernos desgastados o dañados en conjunto para mantener el equilibrio.
- ◆ Para evitar el riesgo debido a reposición involuntaria del protector térmico, este aparato no debe ser alimentado por un dispositivo de conmutación externo, como por ejemplo un temporizador, ni debe conectarse a un circuito que sea normalmente encendido y apagado por la utilidad.
- ◆ No utilice el aparato cuando haya personas, especialmente niños, o animales cerca.

- ◆ Recuerde que el usuario será responsable de los accidentes y las situaciones peligrosas que puedan sufrir las personas de su alrededor o sus propiedades.

## Antes de la utilización

- ◆ Cuando utilice el aparato lleve siempre calzado y pantalones largos resistentes. No utilice el aparato si va descalzo o con sandalias. Evite llevar ropa holgada o que tenga cordones o lazos colgantes.
- ◆ Examine a fondo el área donde vaya a utilizar el aparato y retire todos los objetos que el aparato podría expulsar.
- ◆ Antes de utilizar este aparato, compruebe siempre que la cuchilla, el perno de la cuchilla y el montaje de la cuchilla no estén desgastados o dañados. Sustituya las piezas desgastadas o dañadas por conjuntos para mantener el equilibrio. Sustituya las etiquetas dañadas o ilegibles.

## Después de la utilización

- ◆ Cuando no use el aparato, deberá guardarlo en un lugar seco, bien ventilado y alejado del alcance de los niños.
- ◆ Los niños no deben tener acceso a los aparatos guardados.
- ◆ Cuando guarde o transporte el aparato en un vehículo, deberá colocarlo en el maletero o sujetado, para evitar movimientos producidos por cambios repentinos de velocidad o dirección.

## Inspecciones y reparaciones

- ◆ Antes de utilizarlo, compruebe que el aparato no contenga piezas dañadas ni defectuosas. Compruebe que no haya piezas rotas, que los interruptores no estén dañados y que no existan otros defectos que puedan afectar al funcionamiento del aparato.
- ◆ No utilice el aparato si tiene alguna pieza dañada o defectuosa.
- ◆ Solicite a un agente de servicio técnico autorizado la reparación o sustitución de las piezas dañadas o defectuosas.
- ◆ Nunca intente extraer ni sustituir ninguna pieza que no esté especificada en este manual.
- ◆ Tenga cuidado cuando ajuste el cortacésped para evitar el atrapamiento de los dedos entre las cuchillas o entre las piezas móviles y las piezas fijas del aparato.
- ◆ Cuando revise las cuchillas tenga cuidado porque, aunque la fuente de alimentación esté desconectada, aún pueden moverse.

## Instrucciones de seguridad adicionales para cortacéspedes

- ◆ No transporte la máquina si la fuente de alimentación está en funcionamiento.
- ◆ Cuando utilice el cortacésped, agarre firmemente el manillar con ambas manos.
- ◆ Si en algún momento resulta necesario inclinar el cortacésped, asegúrese de mantener ambas manos en la posición de trabajo mientras el cortacésped se

- encuentre inclinado. Mantenga ambas manos en la posición de trabajo hasta que el cortacésped vuelva a quedar correctamente colocado en el suelo.
- ◆ No utilice nunca el cortacésped si lleva puestos los auriculares de un dispositivo de radio o de música.
  - ◆ Nunca intente ajustar la altura de una rueda con el motor en marcha o con la llave de seguridad dentro del interruptor.
  - ◆ Si el cortacésped se detiene, suelte la maneta para apagarlo y espere a que la cuchilla se detenga antes de intentar desatascar el conducto de descarga o retirar algún objeto de debajo de la plataforma.
  - ◆ Mantenga las manos y los pies alejados de la zona de corte.
  - ◆ Mantenga las cuchilla afiladas. Utilice guantes protectores cuando manipule la cuchilla del cortacésped.
  - ◆ Si utiliza el colector de hierba, compruebe periódicamente su estado para evitar que se desgaste y se deteriore. Si está muy desgastado, por razones de seguridad, deberá sustituirlo con un nuevo colector de hierba.
  - ◆ Extreme las precauciones cuando gire el cortacésped o cuando lo tire en dirección hacia usted.
  - ◆ No coloque las manos ni los pies cerca o debajo del cortacésped. Manténgase alejado de la apertura del mecanismo de descarga en todo momento.
  - ◆ Limpie el área donde va a utilizar el cortacésped de objetos tales como piedras, bastones, cables, juguetes, huesos, etc., que podrían salir despedidos cuando la cuchilla pase por encima de ellos.  
Los objetos golpeados por la cuchilla pueden causar graves lesiones personales. Manténgase detrás del manillar cuando el motor está en marcha.
  - ◆ No utilice el cortacésped si está descalzo o con sandalias. Lleve siempre un calzado adecuado.
  - ◆ No tire del cortacésped hacia atrás si no es absolutamente necesario. En ese caso, mire siempre abajo y detrás antes cuando retrocede.
  - ◆ Evite que el material descargado vaya a parar encima de alguna persona. No descargue el material contra una pared o una obstrucción, ya que podría rebotar hacia usted. Suelte la maneta para parar el cortacésped y la cuchilla cuando pase por encima de superficies con grava.
  - ◆ No utilice la herramienta sin el colector de hierba, el protector de descarga, el protector trasero u otros dispositivos de seguridad colocados y en funcionamiento. Revise periódicamente todos los protectores y dispositivos de seguridad para comprobar que se encuentren en buen estado, funcionen correctamente y cumplan la función prevista. Sustituya los protectores o dispositivos de seguridad dañados antes de seguir usando la herramienta.

- ◆ No deje nunca desatendido el cortacésped en funcionamiento.
  - ◆ Suelte siempre la maneta para parar el motor y espere a que la cuchilla se detenga por completo antes de limpiar el cortacésped, retirar la bolsa colectora, desatascar el protector de descarga, dejar de utilizar el cortacésped o realizar algún ajuste, reparación o revisión.
  - ◆ Utilice el cortacésped únicamente a la luz del día o con iluminación artificial adecuada y cuando los objetos que están en la ruta de la cuchilla sean claramente visibles desde la zona de operación del cortacésped.
  - ◆ No utilice el cortacésped si está bajo el efecto de alcohol o drogas o cuando esté cansado o enfermo. Esté siempre alerta, mire lo que hace y use el sentido común.
  - ◆ Evite las situaciones peligrosas. No utilice nunca el cortacésped sobre hierba mojada o húmeda, ni bajo la lluvia. Manténgase en todo momento firmemente apoyado en el suelo y no corra.
  - ◆ Si el cortacésped empieza a vibrar de forma anormal, suelte la maneta, espere a que la cuchilla se detenga y controle la causa inmediatamente. La vibración suele indicar la presencia de un problema. Consulte la guía de solución de problemas para obtener indicaciones en caso de que se produzca una vibración anómala.
  - ◆ Lleve siempre protección ocular y respiratoria cuando utilice el cortacésped.
  - ◆ El uso de esta herramienta con cualquier accesorio no recomendado para este cortacésped puede resultar peligroso. Utilice solamente accesorios aprobados por BLACK+DECKER.
  - ◆ Sea precavido cuando utilice el cortacésped. Mantenga un apoyo firme sobre el suelo y conserve el equilibrio en todo momento cuando utilice el cortacésped.
  - ◆ Trabaje en sentido transversal a la pendiente, nunca hacia arriba o abajo. Tenga sumo cuidado al cambiar de sentido en las pendientes.
  - ◆ Esté atento a los agujeros, los surcos, los baches, las piedras y otros objetos ocultos. Las superficies irregulares pueden provocar resbalones y caídas. El césped alto puede ocultar obstáculos.
  - ◆ No utilice el cortacésped sobre la hierba húmeda ni en pendientes muy pronunciadas. El uso de calzado poco adecuado puede provocar resbalones y caídas.
  - ◆ No utilice el cortacésped cerca de pendientes pronunciadas, zanjas o terraplenes. Podría perder el equilibrio o caerse.
  - ◆ Deje enfriar siempre el cortacésped antes de guardarlo.
- Saque el enchufe de la toma de corriente y saque la batería de la máquina. Compruebe que las piezas móviles se hayan detenido:



- ◆ Cuando deje la máquina.
- ◆ Antes de limpiar una obstrucción.
- ◆ Antes de comprobar, limpiar o realizar trabajos en el aparato.

## Seguridad de otras personas

- ◆ Este aparato no está destinado al uso por parte de personas (incluyendo los niños) con capacidades físicas, sensoriales o mentales reducidas, o que carezcan de experiencia o del conocimiento necesario, a menos que estén supervisadas o reciban las instrucciones relativas al uso del aparato por una persona encargada de su seguridad.
- ◆ Los niños deben vigilarse en todo momento para garantizar que no utilicen el aparato como un juego.
- ◆ Después de golpear un objeto extraño. Controle que el aparato no presente daños y haga las reparaciones necesarias.

## Riesgos residuales.

El uso de esta herramienta puede producir riesgos residuales adicionales no incluidos en las advertencias de seguridad adjuntas. Estos riesgos se pueden generar por un uso incorrecto, demasiado prolongado, etc.

El cumplimiento de las normas de seguridad correspondientes y el uso de dispositivos de seguridad no evitan ciertos riesgos residuales. Dichos riesgos incluyen:

- ◆ Lesiones producidas por el contacto con piezas móviles o giratorias.

- ◆ Lesiones causadas al cambiar piezas, cuchillas o accesorios.
- ◆ Lesiones causadas por el uso prolongado de una herramienta. Si utiliza una herramienta durante períodos de tiempo demasiado prolongados, asegúrese de realizar pausas con frecuencia.
- ◆ Deterioro auditivo.
- ◆ Riesgos para la salud causados por la respiración del polvo generado por el uso de la herramienta (por ejemplo, al trabajar con madera, especialmente roble, haya, tablero semiduro de fibras).
- ◆ Si no se puede evitar usar el cortacésped en un lugar húmedo, use un dispositivo diferencial residual (DDR) con una corriente de desconexión no superior a 30 mA. El uso de un dispositivo diferencial residual reduce el riesgo de descarga eléctrica.
- ◆ Nunca levante o transporte el aparato mientras el motor está en funcionamiento.

## Símbolos de advertencia

Junto con el código de la fecha, en la herramienta aparecen los siguientes símbolos:



**Advertencia.** Lea el manual antes de utilizar el aparato.



Tenga cuidado con las cuchillas afiladas. Las cuchillas siguen girando después de apagar el motor.

Saque el dispositivo de deshabilitación antes de efectuar el mantenimiento o si el cable está dañado.



Tenga cuidado con los objetos que salen volando. Mantenga a otras personas alejadas de la zona de corte.



Póngase protección para los ojos



Una vez apagada la máquina, las cuchillas continuarán girando.



Directiva 2000/14/CE sobre la potencia acústica garantizada.

## Instrucciones de seguridad adicionales para baterías y cargadores

### Baterías

- ◆ Jamás trate de abrir las baterías por ningún motivo.
- ◆ No exponga las baterías al agua.
- ◆ No exponga las baterías al calor.
- ◆ No guarde la batería en lugares en los que la temperatura pueda superar los 40 °C.

- ◆ Recargue la batería únicamente a una temperatura ambiente entre 10 °C y 40 °C.
- ◆ Utilice únicamente el cargador suministrado con el aparato o la herramienta para realizar la carga. La utilización de un cargador incorrecto puede producir una descarga eléctrica o el recalentamiento del conjunto de la batería.
- ◆ Cuando deseche la batería, siga las instrucciones facilitadas en la sección “Protección del medioambiente”.
- ◆ No dañe ni deforme la batería mediante perforaciones o golpes, pues esto supone riesgo de incendio y lesiones.
- ◆ No cargue baterías dañadas.
- ◆ En condiciones extremas, es posible que se produzcan fugas del líquido de las baterías. Cuando observe que se producen fugas en el conjunto de la batería, limpie cuidadosamente el líquido con un paño. Evite el contacto con la piel.
- ◆ En caso de que se produzca contacto con la piel o los ojos, siga las siguientes instrucciones.

**Advertencia.** El líquido de la batería puede provocar lesiones o daños materiales. En caso de contacto con la piel, lave la zona afectada con agua inmediatamente.

Si se produce enrojecimiento, dolor o irritación, solicite atención médica. En caso de contacto con los ojos, lave la zona inmediatamente con agua limpia y solicite atención médica.



No intente cargar baterías dañadas.

## Cargador

El cargador ha sido diseñado para un voltaje específico.

Compruebe siempre que el voltaje de la red eléctrica corresponda al valor indicado en la placa de características.

**Advertencia.** No intente sustituir el cargador por un enchufe convencional para la red eléctrica.

- ◆ Utilice únicamente el cargador Black & Decker para cargar la batería del aparato/ herramienta con que fue suministrado. Si intenta cargar otras baterías, estas podrían explotar y provocar lesiones y daños materiales.
- ◆ Nunca intente cargar baterías no recargables.
- ◆ Si el cable de alimentación se daña, debe ser sustituido por el fabricante o por un centro de asistencia técnica autorizado de Black & Decker para evitar cualquier riesgo.
- ◆ No exponga el cargador al agua.
- ◆ No abra el cargador.
- ◆ No aplique ningún dispositivo para medir la resistencia del cargador.
- ◆ Durante la carga, el aparato, la herramienta o la batería deben colocarse en una zona correctamente ventilada.



El cargador ha sido concebido para utilizarse únicamente en un lugar interior.



Lea el manual de instrucciones antes de usar el producto.

**Importante:** Para cargar las baterías de 54 V BL1554 y BL2554, deben usarse únicamente los siguientes cargadores: 90589867, 90621477, 90590287-01, 90590289-01, 90602042-01, 90590287-02, 90590289-02, 90599854-02, 90599854-06, 90599853-05, 90634971, 90634972, 90634973, 90642266, 90642264, 90642265, BDC2A

## Seguridad eléctrica



El cargador tiene doble aislación; por lo tanto no se requiere descarga a tierra.

Compruebe siempre que el voltaje de la red eléctrica corresponda al valor indicado en la placa de características. No intente sustituir el cargador con un enchufe de red normal.

- ◆ Si el cable de alimentación está dañado, deberá ser sustituido por el fabricante o un centro de asistencia técnica autorizado de BLACK+DECKER para evitar cualquier riesgo.

## Características

Este aparato incluye una o más de las siguientes características.

1. Caja de interruptor
2. Maneta
3. Manillar superior
4. Manillar inferior
5. Palancas de colocación del manillar superior (2)
6. Palancas de colocación del manillar inferior (2)
7. Palanca de ajuste de altura de corte
8. Bolsa colectora de hierba
9. Tapa puerta trasera
10. Tablero
11. Conmutador de batería POWERCOMMAND
12. Tapa del compartimento de la batería

13. Asas de transporte

14. EdgeMax™

**Procedimiento de carga**

Los cargadores BLACK+DECKER han sido diseñados para cargar los paquetes de baterías BLACK+DECKER.

- ◆ Conecte el cargador a la toma adecuada antes de introducir el paquete de baterías.
- ◆ Introduzca el paquete de baterías en el cargador.



El LED indicador de carga verde parpadea para indicar que se está cargando la batería.



Se indicará que la carga ha terminado porque la luz LED verde permanecerá encendida de manera continua. La batería está totalmente cargada y ahora podrá usarla o dejarla en el cargador.

**Advertencia.** Recargue el conjunto descargado de la batería tan pronto como sea posible después del uso; de lo contrario, se reducirá la vida útil del conjunto de la batería.

**Diagnóstico del cargador**

Este cargador ha sido diseñado para detectar algunos problemas que pueden surgir con los paquetes de baterías o la fuente de alimentación. Los problemas se indican a través de un LED parpadeante con diferentes patrones.

**Batería arruinada**



El cargador puede detectar si la batería está débil o dañada.

El LED rojo parpadea con el patrón indicado en la etiqueta. Si nota este patrón de parpadeo del indicador de fallo de la batería, no siga recargando la batería. Llévela a un centro de servicios o a un punto de recogida para el reciclaje.

**Retardo por batería fría/caliente**



Cuando el cargador detecta que la batería está demasiado fría o demasiado caliente,

inicia automáticamente un retardo por batería fría/caliente y suspende la carga hasta que la batería se normalice. Después de esto, el cargador cambia automáticamente al modo de carga de batería. Esta característica le asegura el máximo de vida útil a la batería. El LED rojo parpadea con el patrón indicado en la etiqueta cuando detecta el retardo por batería fría/caliente.

**Notas importantes para la carga**

- ◆ Se puede conseguir una mayor duración y rendimiento si se carga la batería cuando la temperatura ambiente está entre 60 °F y 80 °F (16 °C y 27 °C).

- ◆ NO cargue la batería cuando la temperatura ambiente sea inferior a +40 °F (+4.5 °C) o superior a +105 °F (+40.5 °C).

Esto es importante y prevendrá daños serios a la batería.

- ◆ El cargador y el paquete de baterías pueden calentarse durante la carga. Esto es normal y no indica ningún problema. Para facilitar el enfriamiento de la batería después del uso, evite colocar el cargador o la batería en un ambiente cálido, como un cobertizo metálico o un remolque sin aislamiento.
- ◆ Si el paquete de baterías no se carga correctamente:
  - ◆ Enchufe una lámpara u otro aparato para comprobar la corriente del receptáculo.
  - ◆ Compruebe si el receptáculo está conectado a un interruptor de luz que corta la energía al apagar las luces.
  - ◆ Desplace el cargador y la batería hacia un lugar donde la temperatura ambiente sea de aproximadamente 60°F - 80°F (16 °C - 27°C).
  - ◆ Si el problema de carga persiste, lleve la herramienta, el paquete de baterías y el cargador a su servicio técnico local.
- ◆ El paquete de baterías debe recargarse cuando no produce energía suficiente para trabajos que antes se efectuaban fácilmente. NO SIGA usándolo en estas condiciones. Siga el procedimiento de carga. También puede cargar un paquete parcialmente usado cuando lo desee, sin ningún efecto adverso para el conjunto de la batería.
- ◆ Los materiales conductores extraños como, a título enunciativo pero no limitativo, lana de acero, papel de aluminio o cualquier acumulación de partículas metálicas deben mantenerse alejados de las cavidades del cargador. Desconecte siempre el cargador de la red cuando el conjunto de la batería no esté colocado en la cavidad. Desconecte el cargador antes de intentar limpiarlo.
- ◆ No congelar ni sumergir en agua u otros líquidos.

**Advertencia.** No permita que ningún líquido penetre en el cargador.

NO INTENTE NUNCA ABRIR EL PAQUETE DE BATERÍAS POR NINGÚN MOTIVO. SI LA CARCASA DE PLÁSTICO DEL PAQUETE DE BATERÍAS SE ROMPE O SE AGRIETA, LLÉVELA A UN SERVICIO TÉCNICO PARA RECICLARLA.

**Indicador del estado de carga de la batería**

La batería incluye un indicador del estado de la carga. Puede utilizarse para visualizar el nivel actual de carga de la batería, durante el uso y durante la carga. No indica ninguna funcionalidad de la herramienta y podrá registrar variaciones en función de los componentes del producto, de la temperatura y de la aplicación del usuario final.

**Comprobar el estado de carga:**

- ◆ Pulse el botón del indicador del estado de la carga (A1).

- ◆ Los tres LED (A2) se encenderán para indicar el porcentaje de carga de la batería. Consulte el gráfico de la figura A.
- ◆ Si el LED no se enciende, cargue la batería.

### Instalar y retirar el paquete de baterías

**Advertencia.** Compruebe haber sacado la llave de seguridad para impedir que funcione antes de colocar o extraer la batería.

#### Colocación de los paquetes de baterías:

- ◆ Levante la tapa del compartimento de la batería (12) para dejar al descubierto el compartimento de la batería (15).
- ◆ Deslice la batería (16) en el compartimento hasta que quede bien encajada y se oiga un clic (Figura B). Compruebe que el conjunto de la batería quede bien colocado y enganchado en su posición. Repita el proceso en el segundo compartimento de la batería.
- ◆ Cierre la tapa del compartimento de la batería. Compruebe que la tapa quede bien enganchada antes de arrancar el cortacésped.

#### Extracción de los paquetes de baterías:

- ◆ Abra la tapa del compartimento de la batería (12) como se indica arriba.
- ◆ Presione el botón de extracción de la batería (16a) del paquete de baterías y sáquelo de la herramienta como se muestra en la figura C.

### Selección POWERCOMMAND del paquete de baterías

**Advertencia.** Compruebe haber sacado la llave de seguridad para impedir el funcionamiento antes de seleccionar la batería activa.

El cortacésped está equipado con un botón de selección de batería POWERCOMMAND (11). Este botón se usa para extender el tiempo de funcionamiento. Pulse el botón de selección de la batería (Figura D) de la derecha o la izquierda.

- ◆ El lado marcado con "1" activa el compartimento de la batería izquierdo.
- ◆ El lado marcado con "2" activa el compartimento de la batería derecho.

**Nota:** El cortacésped puede funcionar con un solo paquete de baterías si el interruptor está en la posición correcta.

### Batería activa, indicadores del estado de carga

**Nota:** El estado de carga se indica solamente cuando la batería está insertada, o cuando el cortacésped está encendido, o cuando hay una sola batería y el interruptor conmuta para conectarla y hacer funcionar el cortacésped.

Este cortacésped está equipado con indicador de estado de carga situado en la base del tablero (10). El indicador se usa para mostrar el compartimento de la batería activa y el nivel actual de carga de la batería activa.

Cuando el paquete de baterías está instalado en los compartimentos de las baterías, los tres LEDs de nivel de carga se iluminan durante 3 segundos mostrando el nivel actual de carga de la batería y después se apagan. Mientras el cortacésped está en uso, se muestra el nivel de carga actual de la batería activa seleccionada.

- ◆ Cuando el cortacésped se enciende por primera vez, se encienden provisionalmente todas las luces indicadoras de LED del tablero (10).
- ◆ Las luces de LED del tablero del lado de la batería inactiva se apagan.
- ◆ Los LEDs del tablero del lado de la batería activa (17) quedan encendidos y los tres indicadores de nivel de LED (18) indican el porcentaje de carga de la batería. (Consulte el gráfico de la figura A.)
- ◆ Si no se ilumina ningún LED de la batería activa, cambie el botón de selección de batería (11) a la batería activa. Si no se ilumina ningún LED, cargue la batería.

**Nota:** Debe insertarse la llave de seguridad para todos los LEDs y deben cambiarse las funciones para que queden como se indica arriba.

### Paquete de baterías DUALVOLT de 54 V (Fig. C1)

El paquete de baterías Dualvolt de 54 V puede usarse con las herramientas sin cable de Black+Decker de 54 V y 18 V. La batería puede reconocer la herramienta que está insertada y hacerla funcionar a la potencia correspondiente, proporcionando más tiempo de funcionamiento en las herramientas de 18 V. El botón de estado de carga (16b) indica el nivel de carga con 54 V y 18 V.

### Ensamblaje

**Advertencia.** Antes de proceder al montaje, compruebe haber soltado la maneta y haber retirado la llave de seguridad.

### Montaje del manillar inferior

- ◆ Levante el manillar inferior (4) asegurándose de que la flecha (19) de la base del cortacésped queda alineada con los números 1, 2 o S de la base del manillar (20) (recuadro de la figura F).

**Nota.** Compruebe que cada lado del manillar inferior esté colocado en el mismo número. La flecha debe estar alineada con 1 o 2 para el funcionamiento.

- ◆ Cierre las palancas de ajuste de altura del manillar (6) como se muestra en la figura F. Cuando las cierra, compruebe que el diente quede encajado como se muestra en la figura G.
- ◆ Si la conexión entre el manillar y la palanca queda demasiado floja o ajustada, abra la palanca y ajuste la profundidad de la palanca girándola. Vuelva a cerrarla hasta que el diente quede bien apretado y cada palanca quede bien cerrada.

### Colocación del manillar superior (Fig. H)

El manillar superior tiene tres orificios para diferentes posiciones de montaje (21) para ajustar la longitud del manillar en la plataforma. El primer conjunto de orificios cerca de la parte inferior del tubo del manillar superior permite obtener la máxima longitud del manillar. Si se usan las posiciones de montaje superior o inferior se acorta la longitud del manillar.

- ◆ Saque las palancas de colocación del manillar superior (5), las tuercas (22) y las arandelas (23) del manillar.
- ◆ Alinee los orificios de la parte inferior del manillar superior (3) con los orificios de la parte superior del manillar inferior (4).

**Nota:** Compruebe que el cable esté situado en la parte delantera de ambos manillares como se muestra en la figura I. En caso contrario puede enredarse el cable y resultar dificultoso guardar el cortacésped.

- ◆ Desde la parte exterior del manillar superior (3), deslice el perno de la palanca por los orificios.
- ◆ Deslice la arandela por el perno de la palanca y monte en modo flojo todo el conjunto con la tuerca.
- ◆ Gire el manillar superior hacia la posición de funcionamiento.
- ◆ Cierre la palanca. Si está demasiado ajustada o demasiado floja, abra la palanca y la tuerca para ajustar la sujeción. Compruebe las palancas cerrándolas. Deben estar suficientemente ajustadas para aferrar bien los manillares, pero suficientemente flojas para cerrar totalmente las palancas. Ajuste abriendo la palanca y girando la tuerca hasta que los manillares queden firmes.

### Fijación del cable del motor (Fig. I)

**Advertencia:** Fije el cable para que no se estire ni si aplaste en las juntas de los manillares durante el uso o cuando lo pliega. Esto puede causar daños al cable.

El cable del motor debe fijarse a los manillares usando los sujetacables que ya están colocados en los manillares.

Para sujetar el cable al manillar:

- ◆ Coloque los manillares en posición de funcionamiento, consulte la sección "Montar el manillar inferior".
- ◆ Levante el cable hasta los manillares inferior y superior.
- ◆ Tire hacia atrás el sujetacable.
- ◆ Deslice el cable del motor debajo de la sujeción y asegúrese de que quede sujeto en su posición con el sujetacable.

### Colocación de la bolsa colectora

**Advertencia:** Extraiga la llave y los paquetes de baterías antes de extraer el accesorio de descarga lateral y el accesorio de mulching, y cuando abra la tapa de la puerta trasera y coloque la bolsa.

- ◆ Compruebe que el accesorio de descarga lateral (26) (Figura M) y el accesorio de mulching (27) (Fig. L) no estén colocados en el cortacésped, antes de colocar la bolsa colectora.
- ◆ Levante la tapa de la puerta trasera (9) y coloque la bolsa colectora de hierba (8) en el cortacésped de modo que los ganchos de la bolsa (28) queden en las orejetas (29) como se muestra en la figura K. Baje la tapa de puerta trasera.

### Mulching

**Advertencia.** Extraiga la llave y los paquetes de baterías antes de sacar el accesorio de descarga lateral y la bolsa colectora, y cuando coloque el accesorio de mulching.

- ◆ Compruebe que el accesorio de descarga lateral (26) y la bolsa colectora (8) no estén colocados.
- ◆ Levante la tapa de la puerta trasera (9) y deslice el inserto de mulching (27) hasta el fondo en el cortacésped como se muestra en la figura L.
- ◆ Compruebe que la tapa de la puerta trasera esté completamente cerrada antes de encender el cortacésped.

### Descarga lateral

**Advertencia.** Extraiga la llave y los paquetes de baterías antes de sacar la bolsa colectora, y cuando coloque el accesorio de mulching y el accesorio de descarga lateral.

- ◆ Compruebe haber sacado la bolsa colectora (8).
- ◆ Levante la aleta trasera (9) y deslice el inserto de mulching (27) hasta el fondo en el cortacésped como se muestra en la figura L.
- ◆ Levante la aleta lateral (30) y enganche el accesorio de descarga lateral (26) en el cortacésped como se muestra en la figura M.
- ◆ Suelte la aleta lateral y asegúrese de que el accesorio se mantenga en su posición antes de encender el cortacésped como se muestra en el inserto de la figura M.

### Funcionamiento

Lea el manual de instrucciones antes de utilizar el cortacésped.

Consulte "Características" para familiarizarse con la ubicación de los varios controles y ajustes. Guarde este manual para consultas posteriores.

**Advertencia.** Deje que el cortacésped funcione a su ritmo. No lo sobrecargue.

**Advertencia.** Cuchilla móvil afilada. No utilice el cortacésped en modo de descarga lateral o mulching si la puerta trasera no está cerrada con el muelle tenso pues podrían producirse lesiones graves. Para reparar el cortacésped, acuda al centro de asistencia técnica más cercano.

### Ajuste de altura de los manillares (Fig. N)

- ◆ Abra las dos palancas de colocación del manillar inferior (6).

- ◆ Ajuste el manillar de modo que la flecha (19) de la base del cortacésped queda alineada con los números 1 o 2 de la base del manillar (20). Compruebe que el manillar esté colocado en el mismo número en los dos lados del cortacésped.
- ◆ Cierre las dos palancas y compruebe que el manillar esté bien enganchado y que los dientes estén engranados como se muestra en el recuadro.

### Ajuste de altura del cortacésped (Fig. O)

La altura del corte se ajusta con la palanca de ajuste de altura central, tiene 7 posiciones para elegir.

**Nota:** Si no está segura a qué altura cortar, comience a cortar con la palanca de ajuste de altura (7) en posición 7 y ajuste la altura según sea necesario, como se muestra en la figura O.

Para establecer la altura del corte:

- ◆ Saque la palanca de ajuste de altura del cortacésped (7) de la hendidura de bloqueo (31).
- ◆ Mueva la palanca hacia la parte trasera del aparato para levantar la altura de corte.
- ◆ Mueva la palanca hacia la parte delantera del aparato para bajar la altura de corte.
- ◆ Empuje la palanca de ajuste de altura hacia una de las siete hendiduras de bloqueo.

### Llave de seguridad

Para evitar arranques accidentales o el uso no autorizado de su cortacésped sin cable, se ha incorporado una llave de seguridad extraíble (32) en el diseño del cortacésped. El cortacésped se desactiva completamente al sacar la llave de seguridad del cortacésped.

**Nota:** La llave de seguridad tiene un orificio en el centro para guardarla en un clavo, alejada del alcance de los niños. No ate la llave de seguridad al cortacésped.

**Advertencia** Las cuchillas giratorias pueden causar lesiones graves.

Para evitar lesiones graves, saque la llave de seguridad cuando no tenga vigilado el cortacésped, o cuando cargue, limpie, efectúe el mantenimiento, transporte, levante o guarde el cortacésped.

### Arrancar el cortacésped

**Advertencia.** Cuchilla móvil afilada. Nunca intente detener el funcionamiento de esta caja del interruptor pues pueden producirse lesiones graves.

**Nota:** El cortacésped funciona cuando la batería y la llave están colocadas.

- ◆ Inserte la llave de seguridad (32) en el alojamiento del interruptor (1) hasta que quede totalmente insertada en su interior como se muestra en la figura P. Ahora el cortacésped está operativo.
- ◆ El cortacésped está equipado con una caja de interruptor de encendido-apagado especial.

Para usar el cortacésped, pulse el botón (33) de la caja del interruptor (1), tire la maneta (2) hacia el manillar como se muestra en la figura Q. Una vez que el cortacésped haya arrancado, puede soltar el botón.

- ◆ Para apagar el cortacésped, suelte la maneta.

**Advertencia.** No intente nunca trabar un interruptor o la maneta (2) en la posición de encendido.

**Nota:** Cuando la maneta vuelve a la posición original, se activa el "mecanismo de freno automático".

El motor se frena eléctricamente y la cuchilla del cortacésped deja de girar en 3 segundos o menos.

### Sobrecarga del cortacésped

Para evitar daños debidos a condiciones de sobrecarga, no intente sacar demasiada hierba de una vez. Disminuya la velocidad de corte o aumente la altura de corte.

### EdgeMax™

EdgeMax™ (14) le permite cortar el césped justo hasta el borde de una pared o una valla (Fig. R1).

EdgeMax™ le permite cortar el césped justo hasta el borde del cortacésped (Fig. R2).

- ◆ Con el cortacésped paralelo al borde del césped, empuje el cortacésped por el borde del césped. Compruebe que el EdgeMax™ esté ligeramente por encima del borde del césped (Fig. R2).

**Nota:** Cuando está montado el accesorio de descarga lateral, el EdgeMax™ puede usarse solo en la parte izquierda del cortacésped.

### Almacenamiento

**Advertencia.** La cuchilla giratoria puede provocar lesiones graves.

Suelte la maneta (2) para apagar el cortacésped, retire la llave de seguridad y saque la batería antes de levantar, transportar o almacenar el cortacésped.

Guarde el cortacésped en un lugar seco.

**Advertencia.** Para evitar aplastamientos, mantenga los dedos alejados de la parte que está entre los manillares cuando baje los manillares.

**Advertencia.** Asegúrese de que el cable no se estire ni se aplaste en las juntas de los manillares cuando lo pliegue. Esto puede causar daños al cable.

El manillar del cortacésped puede plegarse fácilmente hacia abajo para un almacenamiento fácil y cómodo.

- ◆ Sosteniendo el manillar, abra, pero no extraiga, las palancas de colocación del manillar inferior (6) y pliegue el manillar hacia la parte delantera del cortacésped como se muestra en la figura S.
- ◆ Ajuste el manillar de modo que la flecha (19) de la base del cortacésped queda alineada con "S" (20). Compruebe que el manillar esté colocado en el mismo número en los dos lados del cortacésped.

- ◆ Cierre ambas palancas y compruebe que el manillar quede bien enganchado.
- ◆ Abra, pero no extraiga, las palancas de colocación del manillar superior (5) y vuelva a plegar el manillar superior (3) sobre el manillar inferior (4) como se muestra en la figura T.
- ◆ El cortacésped debe estar comprimido hacia adelante como se muestra en la figura U.

### Transporte del cortacésped

- ◆ El cortacésped puede transportarse utilizando los manillares de transporte correspondiente (13) como se muestra en la figura V. NO intente levantar el cortacésped aferrándolo del manillar superior (3) o inferior (4).

### Sugerencias para el corte

**Advertencia.** Examine siempre el área donde vaya a utilizar el cortacésped y retire las piedras, palos, alambres, huesos o demás restos que podrían ser expulsados por la cuchilla giratoria.

**Advertencia.** Trabaje en sentido transversal a la pendiente, nunca hacia arriba o abajo. Tenga sumo cuidado al cambiar de sentido en las pendientes. No corte el césped en cuestas demasiado pronunciadas. Permanezca en una posición firme.

- ◆ Suelte la maneta para apagar el cortacésped al cruzar un área cubierta con grava (la cuchilla puede arrojar las piedras).
- ◆ Para cortar el césped en terreno irregulares o con malezas altas, seleccione la máxima altura de corte. Si intenta cortar demasiada cantidad de césped de una vez, es posible que el motor se sobrecargue y se pare. Consulte la guía de solución de problemas.
- ◆ Si en la estación de crecimiento rápido se utiliza la bolsa colectora (8), es posible que la hierba provoque atascos en la abertura de descarga. Suelte la maneta para apagar el cortacésped y retire la llave de seguridad. Extraiga el recogedor y sacúdalo para que el césped caiga hacia el fondo de la bolsa. Limpie el césped y los residuos que se hayan compactado alrededor de la abertura de descarga. Sustituya el recogedor de hierba.
- ◆ Si el cortacésped empieza a vibrar en modo anormal, suelte la maneta para apagar el cortacésped y extraiga la llave de seguridad. Compruebe inmediatamente la causa. La vibración suele indicar la presencia de un problema. No utilice el cortacésped hasta que no se haya realizado un comprobación. Consulte la guía de solución de problemas en el manual.
- ◆ Cada vez que deje de usar el cortacésped, aunque sea durante un período de tiempo breve, suelte siempre la maneta para apagarlo.

### Consejos por un uso óptimo

- ◆ Reduzca la velocidad en las áreas donde el césped esté demasiado alto o sea demasiado tupido.
- ◆ Evite cortar el césped cuando este esté mojado por la lluvia o impregnado de rocío.
- ◆ Corte el césped a menudo, especialmente durante los períodos de crecimiento rápido.

**Nota:** Recomendamos recargar la batería después del uso, para prolongar la vida de la batería.

La carga frecuente no daña la batería y asegura que esté completamente cargada y lista para el próximo uso.

Guardar la batería no completamente cargada, acorta la vida de la misma.

### Montaje y desmontaje de la cuchilla

**Advertencia.** Cuando vuelva a montar el sistema de la cuchilla, compruebe que cada piezas esté correctamente colocada, como se describe abajo.

El montaje incorrecto de la cuchilla o de otras piezas del sistema de la cuchilla puede causar lesiones graves.

**Advertencia.** Suelte la maneta para apagar el cortacésped, espere a que la cuchilla se detenga y desenchufe el cortacésped.

- ◆ **Corte un trozo de madera de 2x4 (34) (aprox. 610 mm) para impedir que la cuchilla gire al extraer el perno (35).**
- ◆ **Utilice guantes y protección ocular adecuada.**
- ◆ Voltee el cortacésped sobre uno de los lados. Tenga cuidado con los bordes afilados de la cuchilla. Coloque la madera y desatomille el perno con una llave de 13 mm (36) como se muestra en la figura W.
- ◆ Observe la orientación de cada pieza cuando la extraiga. Saque el perno (35) y la tuerca (37). Saque la cuchilla (38) como se muestra en la figura X. No hay que sacar el ventilador (39). Examine que ninguna pieza esté dañada y reemplazarla si es necesario.
- ◆ La cuchilla puede colocarse en el ventilador en una sola dirección. Para volver a montar, alinee el agujero en forma de D de la cuchilla con la espiga en D del ventilador, compruebe que la escritura de la cuchilla mire hacia fuera del cortacésped.
- ◆ Para apretar, coloque la pieza de madera como se muestra en la figure Y para impedir que la cuchilla gire. Deslice el perno por la arandela y apriete el perno en sentido horario en su posición con la llave de 13 mm (36) como se muestra en la figura Y.

### Cómo afilar la cuchilla

Para optimizar el rendimiento del cortacésped, mantenga la cuchilla afilada. Una cuchilla desafilada no corta en modo bien definido el césped. Utilice protección ocular apropiada para extraer, afilar e instalar la cuchilla.



Compruebe haber retirado la llave de seguridad y el paquete de baterías.

En situaciones normales, por lo general, es suficiente afilar la cuchilla dos veces durante la temporada de corte.

La arena provoca que la cuchilla se desafilé rápidamente. Si su terreno es de suelo arenoso, es probable sea necesario afilarla con más frecuencia.

**Nota:** Si la cuchilla está curvada o dañada, reemplácela de inmediato.

Para afilar la cuchilla:

- ◆ Asegúrese de que la cuchilla esté equilibrada.
- ◆ Afíle la cuchilla en el ángulo de corte original.
- ◆ Afíle los bordes de corte en ambos extremos de la cuchilla sacando la misma cantidad de material de ambos extremos.

### Afilar la cuchilla en un tornillo de banco (Fig. V)

- ◆ Asegúrese de haber soltado la maneta, de que la cuchilla se haya detenido y el cortacésped esté desenchufado antes de extraer la cuchilla.
- ◆ Saque la cuchilla del cortacésped. Consulte las instrucciones de montaje y desmontaje de la cuchilla.
- ◆ Sujete la cuchilla (38) en un tornillo de banco (40).
- ◆ Utilice protección ocular adecuada y guantes y tenga cuidado de no cortarse.
- ◆ Lime con cuidado los filos de la cuchilla con una lima fina (41) o una piedra de afilar, conservando siempre el ángulo original del filo. Compruebe el equilibrio de la cuchilla. Compruebe las instrucciones de equilibrado de la cuchilla.
- ◆ Vuelva a colocar la cuchilla en el cortacésped y apriétela bien.

### Equilibrado de la cuchilla

Compruebe el equilibrado de la cuchilla (38) colocando el orificio central de la cuchilla en un clavo o en un destornillador de vástago redondo, fijado horizontalmente en un tornillo de banco. Si alguno de los extremos de la cuchilla gira hacia abajo, lime el filo del extremo que cae. La cuchilla está correctamente balanceada cuando no cae ninguno de los extremos.

### Lubricación

No es necesario realizar ningún tipo de lubricación. No engrase las ruedas, ya que tienen una superficie de rodamiento plástico que no necesita lubricación.

### Limpeza

Suelte la maneta (2) para apagar el cortacésped, espere a que se pare la cuchilla y extraiga la llave de seguridad. Para limpiar el cortacésped, utilice únicamente jabón suave y un paño húmedo. Saque los recortes de césped que se hayan acumulado en la parte inferior de la plataforma. Después de haber utilizado la unidad varias veces, revise las sujeciones externas para verificar que estén firmemente ajustadas.

### Cómo evitar la corrosión

Los fertilizantes y otros productos químicos de jardinería contienen agentes que aceleran considerablemente la corrosión de los metales. Si utiliza el cortacésped en áreas donde se hayan aplicado fertilizantes u otros productos químicos, límpielo inmediatamente después de finalizar el trabajo como se indica a continuación: Suelte la maneta (2) para apagar el cortacésped y desenchufe el cortacésped. Limpie todas las piezas expuestas con un paño húmedo.

### Mantenimiento

Su aparato o herramienta con o sin cable de BLACK+DECKER ha sido diseñada para funcionar durante un largo período de tiempo con un mantenimiento mínimo. El funcionamiento satisfactorio continuado depende de un cuidado apropiado y una limpieza periódica de la herramienta o aparato.

**Advertencia.** Antes de realizar el mantenimiento de herramientas eléctricas con o sin cables:

- ◆ Apague y desenchufe el aparato o herramienta.
- ◆ O, en caso de batería integrada, agótelas por completo y, a continuación, apague la herramienta.
- ◆ Desenchufe el cargador antes de limpiarlo. El cargador no requiere ningún mantenimiento especial excepto la limpieza periódica.
- ◆ Limpie periódicamente las ranuras de ventilación de la herramienta, aparato y cargador con un cepillo suave o un paño seco.
- ◆ Limpie periódicamente la carcasa del motor con un paño húmedo. No utilice limpiadores abrasivos o a base de disolventes.
- ◆ Utilice periódicamente un raspador sin filo para eliminar los restos de hierba y la suciedad acumulada debajo del protector.

### Resolución de problemas

Si nota que el aparato no funciona bien, siga las instrucciones que se indican a continuación. Si no se resuelve el problema, póngase en contacto con un técnico autorizado de BLACK+DECKER.

**Advertencia.** Antes de empezar, suelte la maneta para apagar el cortacésped y espere a que la cuchilla se detenga.

Problema	Posible solución
El cortacésped no funciona cuando se activa la maneta.	Compruebe que el cortacésped esté bien enchufado y que el botón de la caja del interruptor haya sido pulsado a fondo antes de tirar de la maneta.
	Suelte la maneta para apagar el cortacésped. Retire la llave de seguridad y el paquete de baterías, voltee el cortacésped y compruebe que la cuchilla gire libremente.
	Compruebe que el compartimento de la batería esté libre de restos y que la batería esté correctamente conectada.
	¿La batería está completamente cargada? Pulse el botón del estado de la carga.

Problema	Posible solución
El motor se detiene mientras está cortando el césped.	Suelte la maneta para apagar el cortacésped. Retire la llave de seguridad y el paquete de baterías, voltee el cortacésped y compruebe que la cuchilla gire libremente.
	Eleve la altura de corte de las ruedas a la posición más alta y encienda el cortacésped.
	Compruebe que el compartimento de la batería esté libre de restos y que la batería esté correctamente conectada.
	¿La batería está completamente cargada? Pulse el botón del estado de la carga. No sobrecargue el cortacésped. Disminuya la velocidad de corte o aumente la altura de corte.
El cortacésped funciona pero el corte no es satisfactorio.	Suelte la maneta para apagar el cortacésped. Desenchufe el cortacésped. Voltee el cortacésped y compruebe lo siguiente: <ul style="list-style-type: none"> <li>◆ Que la cuchilla esté afilada - Mantenga la cuchilla afilada.</li> <li>◆ Que no haya obstrucciones en la plataforma ni en el conducto de descarga.</li> </ul>
	Es probable que la altura de las ruedas se haya fijado en una posición demasiado baja para el estado del césped. Eleve la altura de corte.
El cortacésped resulta difícil de empujar.	Suelte la maneta para apagar el cortacésped. Desenchufe el cortacésped. Eleve la altura de corte para reducir el rozamiento de la plataforma contra el césped. Compruebe que cada rueda gire libremente.
El cortacésped produce vibraciones y ruidos inusuales.	Suelte la maneta para apagar el cortacésped. Desenchufe el cortacésped. Voltee el cortacésped sobre uno de los lados y revise la cuchilla para asegurarse de que no está curvada o dañada. Si la cuchilla está dañada, sustitúyala por una cuchilla de repuesto BLACK+DECKER. Si la parte inferior de la plataforma está dañada, envíe el cortacésped a un centro de mantenimiento BLACK+DECKER autorizado.
	Si no hay daños visibles en la cuchilla y el cortacésped todavía vibra: <ul style="list-style-type: none"> <li>◆ Suelte la maneta para apagar el cortacésped.</li> <li>◆ Desenchufe el cortacésped.</li> <li>◆ Desmonte el conjunto de la cuchilla en su totalidad como se describe en la sección "Montaje y desmontaje de la cuchilla".</li> <li>◆ Extraiga todos los restos y limpie cada pieza.</li> <li>◆ Sustituya cada pieza como se describe en la sección "Montaje y desmontaje de la cuchilla".</li> </ul>
	Si el cortacésped sigue vibrando, envíelo a un centro de mantenimiento BLACK+DECKER autorizado.
Los LEDs del cargador de batería no se encienden.	Compruebe el enchufe de conexión.
	Sustituya el cargador.
El cortacésped no recoge los recortes en la bolsa.	Conducto obstruido. Suelte la maneta para apagar el cortacésped. Desenchufe el cortacésped. Limpie el conducto de recortes de hierba.
	Eleve la altura de corte de las ruedas para reducir la longitud del corte.
	Bolsa llena. Vacíe la bolsa con más frecuencia.

Los productos y las baterías que contienen materiales que se pueden recuperar o reciclar reducen la demanda de materias primas. Recicle los productos eléctricos y las baterías de conformidad con la normativa local. Puede obtener más información en [www.2helpU.com](http://www.2helpU.com)

**Datos técnicos**

		CLM5448PC	CLM5448PCB
Tensión	V <sub>cc</sub>	54V	54V
Velocidad sin carga	min. <sup>-1</sup>	0 - 2900	0 - 2900
Peso	kg	26.62	24.15
Longitud de las cuchillas	mm	48	48
Batería		BL2554	Unidad sola. (batería no suministrada)
Tensión	V <sub>cc</sub>	54/18 v DUALVOLT	
Capacidad	Ah	2.5	
Tipo		Iones de litio	
Cargador		BDC2A	Unidad sola. (Cargador no suministrado)
Voltaje de entrada	V <sub>ca</sub>	220 - 240	
Corriente de salida	mA	2000mA	
Tiempo de carga aproximado	h	3.75	

Vibraciones soportadas en mano/brazo:  
= < 4,4m/s<sup>2</sup> , incertidumbre (K) = 1,5m/s<sup>2</sup>.

L<sub>PA</sub> (presión acústica) 83 dB(A)  
incertidumbre (K) = 2,5 dB(A)

**Declaración de conformidad CE  
DIRECTIVA DE MÁQUINAS  
DIRECTIVA SOBRE EL RUIDO EXTERIOR**



CLM5448PC, CLM5448PCB Cortacésped

Black & Decker declara que los productos descritos en el apartado "Datos técnicos" son conformes a las normas siguientes:

2006/42/CE, EN 60335-1:2012 + A11:2014,  
EN 60335-2-77:2010

2000/14/CE, cortacésped, L < 50 cm, Anexo VI, Certificación DEKRA B.V., Utrechtseweg 310, ED Arnhem N.º de ID de la entidad notificada holandesa: 0344 Nivel de intensidad acústica de acuerdo con la directiva 2000/14/CE (artículo 12, anexo III, L < 50cm):

**Protección del medioambiente**



Recogida selectiva. Los productos y las baterías marcadas con este símbolo no se deben eliminar con la basura doméstica normal.

$L_{WA}$  (potencia acústica medida) 89,5 dB (A)  
incertidumbre (K) = 1,2 dB(A)

$L_{WA}$  (potencia acústica garantizada) 96 dB(A)

Estos productos también cumplen con las directivas 2014/30/UE y 2011/65/UE. Para más información, póngase en contacto con Black & Decker en la siguiente dirección o consulte la parte posterior del manual.

El abajo firmante es el responsable de la compilación del archivo técnico y realiza esta declaración en representación de Black & Decker.



R. Laverick  
Director de Ingeniería  
Black & Decker Europa, 210 Bath Road, Slough,  
Berkshire, SL1 3YD  
Reino Unido  
26/08/2016

## Garantía

Black & Decker confía en la calidad de sus productos y ofrece a los consumidores una garantía de 24 meses a partir de la fecha de compra. Esta garantía es adicional a sus derechos legales y no los menoscaba en modo alguno. La garantía es válida dentro de los territorios de los Estados Miembros de la Unión Europea y del Área de Libre Comercio Europea.

Para reclamar la garantía, la reclamación se debe presentar de conformidad con las condiciones de Black & Decker. Tendrá que adjuntar un justificante de compra al vendedor o al agente técnico autorizado. Las condiciones de la garantía de 2 años de Black & Decker y la ubicación de su agente técnico autorizado más cercano se pueden obtener en Internet en [www.2helpU.com](http://www.2helpU.com) o poniéndose en contacto con su oficina local de Black & Decker en la dirección que se indica en este manual.

Visite nuestro sitio web [www.blackanddecker.co.uk](http://www.blackanddecker.co.uk) para registrar su nuevo producto Black & Decker y recibir noticias sobre nuevos productos y ofertas especiales.

## Utilização pretendida

Os cortadores de relva BLACK+DECKER CLM5448PC & CLM5448PCB foram concebidos para cortar relva. Estas ferramentas destinam-se apenas a utilização doméstica.

## Instruções de segurança

**Atenção!** Ao utilizar aparelhos sem fios, deve sempre cumprir medidas de segurança básicas, incluindo as seguintes, de modo a reduzir os riscos de incêndio, choque eléctrico, danos pessoais e materiais.

**Atenção!** Ao utilizar a máquina, terá de seguir as regras de segurança.

Para sua segurança e das outras pessoas, leia estas instruções antes de utilizar a máquina. Mantenha as instruções em local seguro para futuras consultas.

- ◆ Leia com atenção todo o manual antes de utilizar o aparelho.
- ◆ A utilização prevista para este aparelho está descrita neste manual. A utilização de qualquer acessório ou a execução de qualquer operação com este aparelho que não esteja incluída no presente manual de instruções poderá representar um risco de ferimentos pessoais.
- ◆ Conserve este manual para referência futura.

## Utilização do aparelho

Tenha sempre cuidado quando utilizar este aparelho.

- ◆ Este aparelho não deve ser utilizado por jovens ou pessoas doentes sem supervisão.
- ◆ Este aparelho não deve ser utilizado como um brinquedo.

- ◆ Não deixe crianças ou animais aproximarem-se da área de trabalho ou tocarem no aparelho ou no cabo de alimentação.
- ◆ É necessária uma supervisão atenta quando o aparelho está a ser utilizado próximo de crianças.
- ◆ Utilize-o apenas num local seco. Não deixe molhar o aparelho.
- ◆ Não mergulhe o aparelho em água.
- ◆ Não abra a estrutura do aparelho. O aparelho não tem peças no interior que possam ser reparadas pelo utilizador.
- ◆ Não utilize o equipamento em áreas com risco de explosão, nas quais se encontrem líquidos, gases ou poeiras inflamáveis.
- ◆ Para reduzir o risco de danos nas fichas e cabos, nunca puxe o cabo para remover a ficha de uma tomada.
- ◆ Antes de usar, proceda sempre a uma inspecção visual para verificar se as lâminas, os parafusos da lâmina e o conjunto cortador não estão desgastados ou danificados. Substitua as lâminas e parafusos desgastados ou danificados em conjuntos para manter o equilíbrio.
- ◆ Para evitar acidentes causados pela reposição inadvertida do interruptor térmico, este aparelho não deve ser alimentado por um comutador-interruptor, como, por exemplo, um temporizador, ou ligado a um circuito que seja ligado e desligado regularmente pelo utilitário.

- ◆ Nunca utilize a máquina enquanto estiverem pessoas, em especial, crianças, ou animais nas proximidades.
- ◆ Lembra-se de que o utilizador é responsável por acidentes ou perigos que possam ocorrer a outras pessoas ou bens.

### Antes da utilização

- ◆ Durante a utilização da máquina, utilize sempre calçado resistente e calças compridas. Não trabalhe com a máquina descalço ou com sandálias. Evite utilizar roupas largas ou com cordões ou laços pendurados.
- ◆ Inspeccione rigorosamente a área em que a máquina será utilizada e retire todos os objectos que possam ser projectados pela máquina.
- ◆ Antes de usar, proceda sempre a uma inspecção visual para ver se a lâmina, o parafuso da lâmina e o conjunto da lâmina não estão desgastados ou danificados. Substitua componentes desgastados ou danificados em conjuntos para manter o equilíbrio. Substitua etiquetas danificadas ou ilegíveis.

### Após a utilização

- ◆ Quando não for utilizado, o aparelho deve ser guardado num local seco e com boa ventilação, longe do alcance das crianças.
- ◆ As crianças não devem ter acesso a aparelhos armazenados.
- ◆ Quando o aparelho for guardado ou transportado num veículo, deverá

ser colocado na bagageira ou fixo de forma a evitar o movimento devido a alterações súbitas na velocidade ou direcção.

## Inspecção e reparações

- ◆ Antes da utilização verifique o aparelho quanto a peças danificadas ou avariadas. Verifique se há peças partidas, danos nos interruptores ou outro tipo de condições que possam afectar o seu funcionamento.
- ◆ Não utilize este aparelho se alguma das peças estiver danificada ou avariada.
- ◆ Mandar reparar ou substituir quaisquer peças danificadas ou avariadas por um agente de reparação autorizado.
- ◆ Nunca tente retirar ou substituir quaisquer peças que não as especificadas neste manual.
- ◆ Cuidado durante o ajuste do cortador para evitar ficar com os dedos presos entre lâminas/peças em movimento e peças fixas da máquina.
- ◆ Quando proceder a reparações das lâminas, tenha em atenção que, apesar da fonte de alimentação estar desligada, as lâminas podem deslocar-se.

## Instruções de segurança adicionais para cortadores de relva

- ◆ Não transporte a máquina enquanto a fonte de alimentação estiver a funcionar.
- ◆ Segure bem a ferramenta com ambas as mãos quando estiver a manobrar o cortador de relva.

- ◆ Se, a qualquer altura, for necessário inclinar o cortador de relva, certifique-se de que ambas as mãos permanecem na posição de funcionamento do aparelho enquanto o cortador se encontra inclinado. Mantenha ambas as mãos na posição de funcionamento do aparelho até o cortador de relva voltar a estar correctamente posicionado no chão.
- ◆ Nunca use auscultadores para ouvir rádio ou música enquanto estiver a manobrar o cortador de relva.
- ◆ Nunca tente fazer um ajuste da altura da roda enquanto o motor estiver em funcionamento ou se a chave de segurança estiver no caixa do comutador.
- ◆ Se o cortador de relva encravar, liberte a barra dos fardos para desligar o cortador, aguarde que a lâmina pare antes de tentar desobstruir o cano ou remover o que estiver abaixo da estrutura.
- ◆ Mantenha as mãos e os pés afastados da área de corte.
- ◆ Mantenha as lâminas afiadas. Utilize sempre luvas de protecção durante o manuseamento da lâmina do cortador de relva.
- ◆ Se estiver a utilizar o colector de relva, verifique-o regularmente quanto a indícios de desgaste e deterioração. Se estiver excessivamente usado, substitua-o por um novo colector de relva para sua segurança.
- ◆ Tenha muita atenção quando estiver a inverter ou a puxar o cortador de relva na sua direcção.

- ◆ Não coloque as mãos ou pés perto ou sob o cortador de relva.

Mantenha-se sempre afastado da abertura de descarga.

- ◆ Limpe a área onde o cortador de relva vai ser usado retirando objectos como pedras, paus, cabos, brinquedos, ossos, etc., que poderão ser atirados pela lâmina.

Os objectos atirados pela lâmina podem causar ferimentos graves.

Mantenha-se atrás do manípulo quando o motor estiver ligado.

- ◆ Não trabalhe com o cortador de relva, descalço ou com sandálias. Utilize sempre calçado de segurança.
- ◆ Não faça andar para trás o cortador de relva, excepto se for absolutamente necessário. Olhe sempre para baixo e para trás antes e quando estiver a deslocar-se para trás.
- ◆ Nunca direcione os materiais descarregados para pessoas. Evite descarregar os materiais junto a uma parede ou outro elemento de obstrução. Os materiais poderão fazer ricochete contra o operador. Liberte a barra dos fardos para desligar o cortador de relva e pare a lâmina quando estiver a passar por superfícies com gravilha.
- ◆ Não trabalhe com o cortador de relva sem todo o colector de relva, protecção de descarga, protecção traseira ou outros dispositivos de segurança montados e a funcionar.

Verifique periodicamente todas as protecções e dispositivos de segurança para se certificar de que estão em bom funcionamento e de que irão funcionar correctamente e executar a respectiva função prevista. Substitua uma protecção danificada ou outro dispositivo de segurança antes da utilização do aparelho.

- ◆ Nunca deixe um cortador de relva em funcionamento sem vigilância.
- ◆ Liberte sempre a barra dos fardos para parar o motor e aguarde até a lâmina parar completamente antes de limpar o cortador de relva, remover o saco de relva, desobstruir a protecção de descarga, quando deixar o cortador de relva ou antes de efectuar quaisquer ajustes, reparações ou inspecções.
- ◆ Utilize o cortador de relva apenas à luz do dia ou com uma boa luz artificial desde que os objectos no percurso da lâmina fiquem claramente visíveis na área de funcionamento do cortador de relva.
- ◆ Não utilize o cortador de relva sob o efeito do álcool ou drogas, ou quando estiver cansado ou doente. Esteja sempre atento, preste atenção ao que está a fazer e use o bom senso.
- ◆ Evite ambientes perigosos. Nunca utilize o cortador de relva se a relva estiver húmida ou molhada, nunca utilize o cortador de relva à chuva. Tenha sempre cuidado ao deslocar-se, ande normalmente e nunca corra.

- ◆ Se o cortador de relva começar a vibrar anormalmente, liberte a barra dos fardos, aguarde que a lâmina pare e, em seguida, verifique imediatamente qual a causa. A vibração é, geralmente, um sinal de problemas; consulte o guia de resolução de problemas para obter conselhos no caso de ocorrência de vibrações anormais.
- ◆ Utilize sempre óculos de protecção e uma protecção respiratória adequada quando utilizar o cortador de relva.
- ◆ A utilização de qualquer acessório não recomendado para a utilização com este cortador de relva poderá ser perigosa. Utilize apenas acessórios aprovados pela BLACK+DECKER.
- ◆ Nunca tente chegar a pontos fora do alcance enquanto estiver a manobrar o cortador de relva. Mantenha-se sempre bem posicionado e equilibrado enquanto estiver a manobrar o cortador de relva.
- ◆ Corte ao longo dos socalcos e nunca em sentido ascendente e descendente. Tenha muito cuidado quando mudar de direcção em declives.
- ◆ Preste atenção aos buracos, sulcos, solavancos, pedras ou outros objectos escondidos. O terreno irregular pode causar uma derrapagem e uma queda accidental. A relva grande pode ocultar obstáculos.
- ◆ Não corte relva molhada ou em escarpas acentuadas. O andamento irregular pode causar uma derrapagem e uma queda accidental.

- ◆ Não corte perto de descidas, valas ou represas.  
Poderá perder o equilíbrio.
- ◆ Deixe sempre o cortador arrefecer antes de o guardar.

Retire a ficha da tomada e remova a bateria da máquina. Certifique-se de que todas as peças móveis param por completo:

- ◆ Quando não utilizar a máquina;
- ◆ Antes de limpar um bloqueio;
- ◆ Antes de verificar, limpar ou utilizar o aparelho.

## Segurança de terceiros

- ◆ Este aparelho não deve ser utilizado por pessoas (incluindo crianças) com capacidades físicas, sensoriais ou mentais reduzidas ou com falta de experiência e conhecimentos, a menos que sejam acompanhadas ou tenham recebido formação ou instruções sobre a utilização deste equipamento por uma pessoa responsável pela respectiva segurança.
- ◆ Esteja atento às crianças para que não brinquem com o aparelho.
- ◆ Após bater num objecto estranho. Inspeccione se o aparelho apresenta danos e faça as reparações conforme necessário;

## Riscos residuais.

Podem surgir riscos residuais adicionais durante a utilização da ferramenta, que poderão não constar nos avisos de segurança incluídos.

Estes riscos podem resultar de má utilização, uso prolongado, etc.

Mesmo com o cumprimento dos regulamentos de segurança relevantes e a implementação de dispositivos de segurança, alguns riscos residuais não podem ser evitados. Estes incluem:

- ◆ Ferimentos causados pelo contacto com peças em rotação/movimento.
- ◆ Ferimentos causados durante a troca de peças, lâminas ou acessórios.
- ◆ Ferimentos causados pela utilização prolongada de uma ferramenta. Quando utilizar uma ferramenta durante períodos prolongados, certifique-se de que faz pausas regularmente.
- ◆ Danos auditivos.
- ◆ Problemas de saúde causados pela inalação de poeiras resultantes da utilização da ferramenta (exemplo: trabalhos em madeira, especialmente carvalho, faia e MDF.)
- ◆ Se não for possível evitar trabalhar com o cortador de relva num local húmido, utilize um dispositivo de corrente residual (RCD) com uma corrente de corte não superior a 30 mA. A utilização de um DCR reduz o risco de choque eléctrico.
- ◆ Nunca levante ou transporte um aparelho quando o motor estiver em funcionamento.

## Símbolos de aviso

Os seguintes símbolos de aviso apresentam os seguintes símbolos de aviso juntamente com o código de data:



Atenção! Antes de utilizar o aparelho, leia o manual.



Esteja atento a lâminas afiadas. As lâminas continuam a rodar após o motor ter sido desligado –

Remova o dispositivo de desactivação antes de proceder a tarefas de manutenção ou se o cabo estiver danificado.



Esteja atento à projecção de objectos. Mantenha as pessoas afastadas da área de corte.



Use uma protecção ocular



As lâminas continuarão a rodar após a máquina ter sido desligada.



A potência sonora cumpre a Directiva 2000/14/CE.

## Instruções de segurança adicionais para baterias e carregadores

### Baterias

- ◆ Nunca tente abrir a bateria, seja qual for o motivo.
- ◆ Não exponha as baterias à água.
- ◆ Não exponha a bateria ao calor.
- ◆ Não armazene em locais onde a temperatura possa exceder os 40 °C.



- ◆ Carregue apenas a temperaturas ambiente entre 10 °C e 40 °C.
- ◆ Carregue apenas com o carregador fornecido com o aparelho/ferramenta. A utilização do carregador errado pode resultar em choque eléctrico ou sobreaquecimento da bateria.
- ◆ Ao eliminar as baterias, siga as instruções indicadas na secção “ Protecção do ambiente ”.
- ◆ Não danifique a bateria por perfuração ou impacto, pois poderá originar risco de ferimentos e incêndio.
- ◆ Não carregue baterias danificadas.
- ◆ Em condições extremas, pode ocorrer uma fuga nas baterias. Se detectar a fuga de líquido das baterias, limpe o líquido cuidadosamente com um pano. Evite o contacto com a pele.
- ◆ Em caso de contacto com a pele ou com os olhos, siga as instruções seguintes.

**Atenção!** O fluido da bateria pode causar ferimentos pessoais ou danos materiais. Em caso de contacto com a pele, enxágue imediatamente com água. Em caso de vermelhidão, dor ou irritação, contacte um médico. Em caso de contacto com os olhos, enxágue imediatamente com água limpa e procure ajuda médica.



Não tente carregar baterias danificadas

## Carregador

O carregador foi concebido para uma tensão específica.

Verifique sempre se a tensão de alimentação corresponde à tensão indicada na placa sinalética.

**Atenção!** Nunca tente substituir a unidade do carregador por uma tomada de alimentação normal.

- ◆ Utilize o seu carregador Black & Decker apenas para carregar a bateria no aparelho/ferramenta com a qual foi fornecida. Outras baterias podem rebentar, provocando ferimentos e danos.
- ◆ Nunca tente carregar baterias não recarregáveis.
- ◆ Se o cabo de alimentação estiver danificado, terá de ser substituído pelo fabricante ou por um centro de assistência autorizado Black & Decker para evitar acidentes.
- ◆ Não exponha o carregador à água.
- ◆ Não abra o carregador.
- ◆ Não manipule o interior do carregador.
- ◆ O aparelho/ferramenta/bateria deve ser colocado numa área com boa ventilação durante o carregamento.



O carregador deverá ser utilizado apenas em espaços interiores.



Antes da utilização, leia o manual de instruções.

**Importante:** apenas os seguintes carregadores devem ser utilizados para carregar as baterias de 54 v BL1554 e BL2554:

90589867, 90621477, 90590287-01, 90590289-01, 90602042-01, 90590287-02, 90590289-02, 90599854-02, 90599854-06, 90599853-05, 90634971,

90634972, 90634973, 90642266,  
90642264, 90642265, BDC2A

## Segurança eléctrica



O carregador tem isolamento duplo; por conseguinte, não é necessário um cabo de terra.

Verifique sempre se a tensão de alimentação corresponde à tensão indicada na placa sinalética. Nunca tente substituir a unidade do carregador por uma tomada de alimentação normal.

- ◆ Se o cabo de alimentação for danificado, terá de ser substituído pelo fabricante ou por um centro de assistência autorizado Black & Decker para evitar acidentes.

## Componentes

Este aparelho inclui algumas ou todas as seguintes características.

1. Caixa de comutação
2. Pega automotora
3. Manipulo superior
4. Manipulo inferior
5. Alavancas de acessório do manipulo superior (2)
6. Alavancas de acessório do manipulo inferior (2)
7. Alavanca de ajuste da altura de corte
8. Saco de recolha de relva
9. Tapa do compartimento traseiro
10. Painel
11. Interruptor da bateria POWERCOMMAND
12. Tapa do compartimento da bateria
13. Manipulos de transporte
14. EdgeMax™

## Procedimento de carregamento

Os carregadores da BLACK+DECKER são concebidos para carregar baterias da BLACK+DECKER.

- ◆ Ligue o carregador numa tomada adequada antes de inserir a bateria.
- ◆ Insira a bateria no carregador.



O LED verde ficará a piscar, indicando que a bateria está a ser carregada.



A conclusão do processo de carregamento é LED verde, que permanece ligado de maneira contínua. A bateria fica totalmente carregada e pode ser utilizada nesta altura ou pode deixá-la no carregador.

**Atenção!** Recarregue as baterias descarregadas assim que possível após a utilização, caso contrário a duração da bateria pode diminuir consideravelmente.

## Diagnóstico do carregador

Este carregador foi concebido para detectar determinados problemas que possam surgir com baterias ou a fonte de alimentação. Os problemas são indicados pela iluminação de um LED intermitente com diferentes padrões.

### Problemas na bateria



O carregador permite detectar uma bateria fraca ou danificada. O LED vermelho pisca com o padrão indicado na etiqueta. Se aparecer este padrão intermitente de problemas na bateria, interrompa o carregamento da bateria. Entregue-a a um centro de assistência ou num local de recolha para reciclagem

### Retardação de calor/frio



Quando o carregador detecta que uma bateria está demasiado quente ou fria, inicia automaticamente a retardação de calor/frio, interrompendo o processo de carga até a bateria normalizar.

Em seguida, o carregador muda automaticamente para o modo Carregar a bateria. Esta função assegura a duração máxima da bateria. O LED vermelho pisca no padrão indicado na etiqueta quando a retardação de calor/frio é detectada.

### Notas importantes sobre carregamento

- ◆ É possível aumentar a duração e o desempenho da bateria se carregá-la quando a temperatura ambiente se situar entre 16 °C e 27 °C.
- ◆ NÃO carregue a bateria se a temperatura ambiente for inferior a +4,5 °C ou superior a +40,5 °C. Isto é importante e impede danos graves na bateria.
- ◆ O carregador e a bateria podem ficar demasiado quentes durante o carregamento. Isto é normal e não representa um problema. Para facilitar o arrefecimento da bateria, evite colocar o carregador ou a bateria num local quente, como num barracão metálico ou num reboque não isolado.
- ◆ Se a bateria não carregar correctamente:
  - ◆ Verifique a corrente no receptáculo, ligando uma lâmpada ou outro aparelho
  - ◆ Verifique se o receptáculo está ligado a um comutador de iluminação que se desliga quando desliga as luzes.

- ◆ Coloque o carregador e a bateria num local onde a bateria num local onde a temperatura do ar ambiente seja de aproximadamente 16°- 27°C.
- ◆ Se os problemas de carregamento persistirem, leve a ferramenta, a bateria e o carregador para um centro de assistência local.
- ◆ A bateria deve ser recarregada se não fornecer energia suficiente durante trabalhos que tenham sido efectuados facilmente. NÃO CONTINUE a utilizar o aparelho nestas condições. Siga o procedimento de carregamento. Pode também carregar uma bateria parcialmente utilizada sempre que quiser, porque não afecta a bateria.
- ◆ Os materiais estranhos condutores como, por exemplo, mas não limitado a, lâ de aço, folha de alumínio ou qualquer acumulação de partículas metálicas devem ser removidos dos orifícios do carregador. Desligue sempre o carregador da fonte de alimentação quando não estiver inserida uma bateria no respectivo orifício. Desligue o carregador antes de proceder à limpeza.
- ◆ Não congele nem coloque o carregador dentro de água ou de outros líquidos.

**Atenção!** Não permita a entrada de líquidos no carregador. **NUNCA TENTE ABRIR A BATERIA, SEJA QUAL FOR O MOTIVO. SE A ESTRUTURA DE PLÁSTICO DA BATERIA SE PARTIR OU RACHAR, ENVIE O APARELHO PARA UM CENTRO DE ASSISTÊNCIA PARA RECICLAGEM.**

### Indicador do estado de carga da bateria

A bateria está equipada com um indicador do estado de carga. Este pode ser utilizado para visualizar o nível de carga actual da bateria durante a utilização do cortador de relva e durante o carregamento. Não indica o funcionamento da ferramenta e está sujeito a variações, com base nos componentes do produto, temperatura e aplicação do utilizador final.

### Verificar o estado da carga:

- ◆ Prima o botão do indicador do estado de carga (A1).
- ◆ Os três LED (A2) acendem-se indicando a percentagem de carga na bateria. Consulte o gráfico na Figura A.
- ◆ Se o LED não acender, carregue a bateria.

### Instalar e retirar as baterias

**Atenção!** Antes de remover ou colocar a bateria, certifique-se de que removeu a chave de segurança para evitar o accionamento do equipamento.

### Instalar as baterias:

- ◆ Levante a tampa do compartimento da bateria (12) para ter acesso ao compartimento da bateria (15).
- ◆ Deslize a bateria (16) para dentro do compartimento da bateria até ficar totalmente encaixada e ouvir um clique (Figura B).

Certifique-se de que a bateria está totalmente encaixada na posição. Repita o processo para o compartimento secundário da bateria.

- ◆ Feche a tampa do compartimento da bateria. Certifique-se de que a tampa fica totalmente encaixada antes de ligar o cortador.

### Retirar as baterias:

- ◆ Abra a tampa do compartimento da bateria (12), tal como descrito acima.
- ◆ Prima o botão de libertação da bateria (16a), como indicado na bateria e puxe a bateria para fora da ferramenta como indicado na Figura C.

### Seleccionar a bateria POWERCOMMAND

**Atenção!** Antes de remover ou colocar a bateria, certifique-se de que removeu a chave de segurança para evitar o accionamento do equipamento. O cortador de relva está equipado com um botão de selecção da bateria POWERCOMMAND (11). Isto permite prolongar o tempo de funcionamento. Prima o botão de selecção da bateria (Figura D) à esquerda ou à direita.

- ◆ O lado com a marca "1" activa o compartimento da bateria esquerdo.
- ◆ O lado com a marca "2" activa o compartimento da bateria direito.

**Nota:** O cortador de relva pode ser utilizado com uma bateria se o interruptor estiver na posição correcta.

### Bateria activa, indicadores do estado de carga

**Nota:** O estado de carga só indicado quando a bateria está inserida, quando o cortador de relva é ligado ou quando está inserida uma bateria e o interruptor é premido para colocar o cortador de relva em funcionamento.

Este cortador de relva está equipado com um indicador do estado de carga localizado na base do painel (10). Este indicador mostra a porta da bateria activa e o nível actual de carga na bateria activa. Quando uma bateria é colocada nos respectivos compartimentos, os três LED de nível de carga acendem-se durante 3 segundos, mostram o nível actual de carga na bateria e depois apagam-se. Quando o cortador de relva está a ser utilizado, o nível de carga da bateria activa e seleccionada é apresentado.

- ◆ Quando o cortador de relva é activado pela primeira vez, todos os indicadores luminosos LED no painel (10) acendem-se temporariamente.
- ◆ Os indicadores luminosos LED no painel no lado da bateria inactiva desligam-se.
- ◆ Os LED do painel no LED da bateria activa (17) permanecem ligados e os três LED do indicador do nível de carga (18) indicam a percentagem de carga na bateria. (Consulte o gráfico na Figura A.)

- ◆ Se os LED da bateria activa não se acenderem, alterne o botão de selecção da bateria (11) para a bateria inactiva. Se nenhum dos LED da bateria se acenderem, carregue a bateria.

**Nota:** A chave de segurança tem de ser inserida para que todos os LED e funções de activação ocorram conforme descrito.

### Bateria DUALVOLT de 54 V (Fig. C1.)

A bateria Dualvolt de 54 V pode ser utilizada em ferramentas sem fio Black+Decker de 54 V e 18 V.

A bateria consegue reconhecer a ferramenta na qual está inserida e funciona de acordo com a respectiva potência, proporcionando uma duração mais prolongada nas ferramentas de 18 V. Está disponível um botão do estado de carga (16b) que indica o nível de carga nas baterias de 54 V e 18 V.

### Montagem

Atenção! Antes da montagem, certifique-se de que a pega automotora está libertada e que retirou a chave de segurança.

### Fixar o manipulador inferior

- ◆ Levante o manipulador inferior (4), certificando-se de que a seta (19) na base do cortador de relva fica alinhada com 1, 2, ou 3 na base do manipulador (20) (gravura da Figura F)

**Nota!** Certifique-se de que cada lado do manipulador inferior está regulado com o mesmo número. Em termos de funcionamento, a seta deve ficar alinhada com 1, ou 2.

- ◆ Feche a alavanca de ajuste da altura do manipulador (6) como indicado na Figura F. À medida que fechar cada uma, certifique-se de que os dentes ficam encaixados, como indicado na Figura G.
- ◆ Se a ligação entre o manipulador e a alavanca for demasiado apertada ou demasiado solta, abra a alavanca e ajuste a profundidade da alavanca rodando a alavanca. Feche-a novamente até os dentes ficarem totalmente presos e cada alavanca totalmente fechada.

### Fixar o manipulador superior (fig. H)

O manipulador superior tem três orifícios de posição de montagem (21) para ajustar o comprimento do manipulador a partir da estrutura. O primeiro conjunto de orifícios perto da parte inferior do tubo do manipulador superior permite ter acesso ao comprimento máximo do manipulador. Utilizar as posições de montagem intermédia e superior reduz o comprimento do manipulador

- ◆ Retire as alavancas do acessório do manipulador superior (5), as porcas (22) e as anilhas (23) do manipulador.
- ◆ Alinhe os furos na parte inferior do manipulador superior (3) com os furos na parte superior do manipulador inferior (4).

**Nota:** Certifique-se de que o cabo está localizado à frente de ambos os manipuladores, como indicado Figura I.

Se não estiver, o cabo pode ficar emaranhado e terá dificuldade em armazenar o cortador de relva de maneira adequada.

- ◆ A partir da parte exterior do manipulador superior (3), deslize o parafuso de alavanca através dos furos.
- ◆ Deslize a anilha sobre o parafuso da alavanca e monte frouxamente todo o conjunto com a porca.
- ◆ Rode o manipulador superior para a posição de funcionamento.
- ◆ Feche a tampa. Se estiver demasiado apertado ou demasiado solto, abra a alavanca e a porca para ajustar a fixação. Feche as alavancas para verificar se estão fechadas. Devem estar suficientemente apertadas para que os manipuladores fiquem presos com firmeza, mas soltos o suficiente para que as alavancas possam ser totalmente fechadas. Ajuste-a abrindo a alavanca e rodando a porca até as porcas até as porcas ficarem fixas.

### Fixar o cabo do motor (Fig. I)

**Atenção:** Monte o cabo de modo a não ficar esticado ou dobrado nas uniões dos manipuladores durante a utilização ou dobragem. Isto pode causar danos no cabo.

O cabo do motor tem de ser fixado nos manipuladores utilizando as abraçadeiras que já estão afixadas no manipulador.

Para encaixar o cabo no manipulador:

- ◆ Coloque os manipuladores na posição de funcionamento, consulte a secção "Fixar o manipulador inferior".
- ◆ Passe o cabo à frente dos manipuladores inferior e superior.
- ◆ Puxe a abraçadeira para trás.
- ◆ Deslize o cabo do motor por baixo do clipe e certifique-se de que fica totalmente preso com a abraçadeira.

### Ensacamento

**Atenção:** retire a chave e as baterias antes de remover o acessório de descarga lateral e o acessório de palhagem e quando abrir a tampa da porta traseira e colocar o saco.

- ◆ Certifique-se de que retira o acessório de descarga lateral (26) (Fig. M) e o acessório de palhagem (27) (Figura L) do cortador antes de efectuar o ensacamento.
- ◆ Levante a tampa do compartimento traseiro (9) e instale o saco de recolha de relva (8) no cortador de modo a que os ganchos do saco (28) fiquem assentes nas argolas (29) como indicado na Figura K. Em seguida, baixe a tampa do compartimento inferior.

### Palhagem

**Atenção!** Retire a chave e as baterias antes de remover o acessório de descarga lateral e o saco de recolha e quando instalar o acessório de palhagem.

- ◆ Certifique-se de que o acessório de descarga lateral (26) e o saco de recolha (8) não estão montados.

- ◆ Levante a tampa do compartimento da porta traseira (9) e encaixe o acessório de palhagem (27) totalmente dentro do cortador, como indicado na Figura L.
- ◆ Certifique-se de que a tampa da porta traseira fecha por completo antes de ligar o cortador.

### Descarga lateral

**Atenção!** Antes de remover o saco de recolha, retire a chave e as baterias e quando instalar o acessório de palhagem e o acessório de descarga lateral.

- ◆ Certifique-se de que o saco de recolha (8) é removido.
- ◆ Levante a aba traseira (9) e encaixe o acessório de palhagem (27) totalmente dentro do cortador, como indicado na Figura L.
- ◆ Levante a aba lateral (30) e encaixe o acessório de descarga lateral (26) dentro do cortador, como indicado na Figura M.
- ◆ Liberte a aba lateral e certifique-se de que o acessório fica encaixado antes de ligar o cortador de relva, como indicado na gravura da Figura M.

### Funcionamento

Leia este manual de instruções antes de utilizar o cortador de relva.

Consulte "Componentes" para familiarizar-se com a localização dos vários controlos e ajustes. Guarde este manual para referência futura.

**Atenção!** Não altere o ritmo de funcionamento do cortador de relva. Não sobrecarregue.

**Atenção!** Lâmina afiada em movimento. Não utilize o cortador de relva no modo de palhagem ou descarga lateral se a porta traseira não se encontrar fechada sob tensão de molas, dado que poderão ocorrer lesões graves. Leve o cortador de relva para o centro de assistência mais próximo para reparação.

### Ajustar a altura do manípulo (fig. N)

- ◆ Abra as alavancas do acessório do manípulo inferior (6).
- ◆ Ajuste o manípulo para que a seta (19) na base do cortador de relva fique alinhada com 1, ou 2 na base do manípulo (20). Certifique-se de que o manípulo está definido para o mesmo número em ambos os lados do cortador.
- ◆ Feche ambos os manípulos, certifique-se de que o punho está fechado com firmeza e que os dentes ficam encaixados, como indicado na figura.

### Ajustar a altura do cortador (Fig. O)

A altura de corte é ajustada pela alavanca central de ajuste da altura de corte, existem 7 posições à escolha.

**Nota:** Se não tiver a certeza qual é a altura de corte que deve utilizar, comece a cortar a alavanca de ajuste da altura (7) na posição 7 e ajuste a altura para baixo conforme necessário, como indicado na figura O.

Para definir a altura de corte:

- ◆ Puxe a alavanca de ajuste de altura do cortador de relva (7) para fora do entalhe de bloqueio (31).
- ◆ Desloque a alavanca para a parte de trás do aparelho para aumentar a altura de corte.
- ◆ Desloque a alavanca para a parte da frente do aparelho para baixar a altura de corte.
- ◆ Coloque a alavanca de ajuste da altura num dos sete encaixes de bloqueio.

### Chave de segurança

Para evitar a activação acidental ou o uso não autorizado do cortador de relva sem fio, a ferramenta está equipada com uma chave de segurança amovível (32).

Depois de retirar a chave de segurança do cortador de relva, é possível desactivar o cortador por completo.

**Nota:** A chave de segurança tem uma abertura no centro que permite guardá-la num prego preso na parede, fora do alcance das crianças. Não prenda a chave de segurança no cortador de relva.

**Atenção!** A lâmina rotacional pode causar lesões graves.

Para impedir ferimentos graves, retire a chave de segurança quando deixar a máquina sem vigilância, ou quando carregar, limpar, proceder a reparações, transportar, levantar ou armazenar o corte de relva.

### Ligar o cortador de relva

**Atenção!** Lâmina afiada em movimento.

Nunca tente sobrepor-se ao funcionamento deste sistema de interruptor, dado que tal pode resultar em lesões graves.

**Nota:** O cortador de relva fica operacional quando a bateria e a chave de segurança estão instalados.

- ◆ Insira a chave de segurança (32) na caixa do computador até ficar totalmente fixada no interior da estrutura, como indicado na Figura P. O cortador não é operacional.
- ◆ O cortador está equipado com uma caixa de comutação especial. Para utilizar o cortador de relva, prima o botão (33) na caixa de comutação (1) e depois puxe a pega automotora (2) na direcção do punho, como indicado na figura Q. Quando o cortador de relva arrancar, liberte o botão.
- ◆ Para desligar o cortador de relva, basta libertar a pega automotora.

**Atenção!** Nunca tente bloquear um interruptor de ligação ou uma pega automotora (2) na posição de ligado.

**Nota:** Quando a pega automotora voltar à posição original activará o "Mecanismo de travão automático". O motor é electricamente travado e a lâmina do cortador de relva parará a rotação em 3 segundos ou menos.

### Sobrecarga do cortador de relva

Para evitar danos causados por sobrecarga, não retire demasiada relva de uma só vez. Diminua a velocidade de corte ou eleve a altura de corte.

**EdgeMax™**

O EdgeMax™ (14) permite cortar relva até ao limite de uma parede ou vedação (Fig. R1).

O EdgeMax™ permite cortar relva com precisão até ao limite do seu relvado (fig. R2).

- ◆ Com o cortador de relva paralelo com o limite do seu relvado, empurre-o ao longo do limite do relvado. Certifique-se de que o EdgeMax™ fica ligeiramente sobre o limite do relvado (fig. R2).

**Nota:** Quando o acessório de descarga lateral está montado, o EdgeMax™ só pode ser utilizado no lado esquerdo do cortador de relva.

**Armazenamento**

**Atenção!** A lâmina rotacional pode causar lesões graves.

Liberte a pega automotora (2) para desligar o cortador, retire a chave de segurança e remova a bateria antes de levantar, transportar ou armazenar o cortador. Guarde num local seco.

**Atenção!** Para evitar que os dedos fiquem entalados, mantenha-os afastados da área entre os manípulos quando os dobrar.

**Atenção!** Certifique-se de que o cabo não fica esticado ou dobrado nas uniões dos manípulos durante a dobragem. Isto pode causar danos no cabo.

O manípulo do cortador de relva pode ser facilmente dobrado para baixo para um armazenamento rápido e prático.

- ◆ Segurando no manípulo, abra-o, mas não retire as alavancas do acessório do manípulo inferior (6) e dobre o manípulo para a parte da frente do cortador de relva, como indicado na Figura S.
- ◆ Ajuste o manípulo para que a seta (19) na base do cortador de relva fique alinhada com "S" (20). Certifique-se de que o manípulo está definido para o mesmo valor em ambos os lados do cortador de relva.
- ◆ Feche ambas as alavancas e certifique-se de que o manípulo está fechado com firmeza.
- ◆ Abra, mas não retire, as alavancas do acessório do manípulo superior (5) e dobre o manípulo superior (3) de novo sobre o manípulo inferior (4) como indicado na Figura T.
- ◆ O cortador deve ficar compactado, como mostrado na Figura U.

**Transportar o cortador**

- ◆ O cortador pode ser transportado com os manípulos de transporte (13) adequados, como mostrado na figura V. NÃO levante o cortador segurando o manípulo superior (3) ou o manípulo inferior (4).

**Dicas de corte**

**Atenção!** Inspeccione sempre a área onde o cortador de relva vai ser utilizado e remova todas as pedras, paus, cabos, ossos e outros detritos que poderão ser atirados pela lâmina em rotação.

**Atenção!** Corte ao longo dos socacos e nunca em sentido ascendente e descendente. Tenha muito cuidado quando mudar de direcção em declives. Não corte excessivamente em declives acentuados. Mantenha sempre um bom apoio com os pés.

- ◆ Liberte a pega automotora para desligar o cortador de relva quando atravessar uma área com grilha (dado que as pedras podem ser atiradas pela lâmina).
- ◆ Defina o cortador de relva para a altura de corte mais elevada quando cortar em solo duro ou em ervas altas. A remoção de demasiada relva de uma só vez poderá causar sobrecarga do motor, o que irá fazer com que pare. Consulte o guia de resolução de problemas.
- ◆ Se o saco de recolha de relva (8) for utilizado durante a época de crescimento rápido, a relva poderá obstruir a abertura de descarga. Liberte a pega automotora para desligar o cortador de relva e remova a chave de segurança. Remova a caixa de aparas e abane a relva de modo a que esta fique no fundo do saco. Limpe também qualquer relva ou detritos que poderão ficar comprimidos em volta da abertura de descarga. Volte a colocar a caixa de aparas.
- ◆ Se o cortador começar a vibrar de maneira anormal, liberte a pega automotora para desligar o cortador e remova a chave de segurança. Verifique de imediato qual é a causa. A vibração é um aviso de problemas. Não utilize o cortador de relva até ser efectuada uma verificação pela assistência técnica. Consulte o guia de resolução de problemas no manual.
- ◆ Liberte sempre a pega automotora para desligar o cortador de relva quando o deixar sem vigilância, mesmo que por um curto período de tempo.

**Sugestões para um desempenho óptimo**

- ◆ Diminua a velocidade em áreas nas quais a relva seja especialmente longa ou grossa.
- ◆ Evite cortar relva quando a relva estiver molhada, devido à chuva ou ao orvalho.
- ◆ Corte o relvado frequentemente, especialmente durante períodos de crescimento elevado.

**Nota:** É recomendável recarregar o cortador depois de o utilizar, para prolongar a duração da bateria.

Um carregamento frequente não afecta a bateria e garante que fica totalmente carregada e pronta para a utilização seguinte. Se a bateria não ficar totalmente carregada, isso diminui a duração da bateria.

## Retirar e instalar a lâmina

**Atenção!** Quando voltar a montar o sistema da lâmina, certifique-se de que cada peça é instalada de novo correctamente, como descrito abaixo.

A montagem incorrecta da lâmina ou de outras peças do sistema da lâmina pode causar ferimentos graves.

**Atenção!** Liberte a pega automotora para desligar o cortador de relva, aguarde até a lâmina parar e desligue o cortador de relva.

- ◆ Corte um pedaço de madeira de 2x4 (34) (610 mm) para impedir que a lâmina rode durante a remoção do parafuso (35).
- ◆ Utilize luvas e protecção adequada para os olhos.
- ◆ Volte o cortador de lado sobre o solo. Tenha cuidado com as extremidades afiadas da lâmina. Posicione a madeira e desaperte o parafuso com uma chave de 13 mm (36), como indicado na Figura W.
- ◆ Tenha em atenção a orientação de cada parte à medida que as remover. Retire o parafuso (35) e a anilha (37). Retire a lâmina (38) como indicado na Figura X. A ventoinha (39) não deve ser retirada. Inspeccione todas as peças relativamente a danos e substitua-as caso tal seja necessário.
- ◆ A lâmina só pode ser instalada na ventoinha numa única direcção. Para voltar a montar, alinhe o furo em forma de D da lâmina com o lado em forma de D da ventoinha, certificando-se que a inscrição na lâmina fique virada para fora do cortador.
- ◆ Para apertar com firmeza, posicione o pedaço de madeira como indicado na Figura Y para impedir o movimento da lâmina. Deslize o parafuso através da anilha e aperte o parafuso para a direita com uma chave de 13 mm (36), como indicado na Figura Y.

## Afiar a lâmina

Mantenha a lâmina afiada para obter o melhor desempenho do cortador de relva. Uma lâmina embotada não corta relva de forma limpa. Utilize protecção adequada para os olhos durante a remoção, afiação e instalação da lâmina. Certifique-se de que retira a chave de segurança e a bateria.

Afiar a lâmina duas vezes durante a época de corte é normalmente suficiente, sob circunstâncias normais.

A areia leva a que a lâmina fique embotada rapidamente. Se o relvado possuir um solo arenoso poderá ser necessária afiação mais frequente.

**Nota:** Substitua, de imediato, lâminas dobradas ou danificadas. Durante a afiação da lâmina:

- ◆ Certifique-se de que a lâmina permanece equilibrada.
- ◆ Afie a lâmina no ângulo de corte original.
- ◆ Afie os gumes de corte em ambas as extremidades da lâmina, removendo quantidades de material iguais em ambas as extremidades.

## Para afiar a lâmina num torno (Fig. V)

- ◆ Antes de retirar a lâmina, certifique-se de que a pega automotora é libertada, a lâmina pára e que desliga o cortador de relva.
- ◆ Remova a lâmina do cortador de relva. Consulte as instruções sobre como remover e instalar a lâmina.
- ◆ Fixe a lâmina (38) num torno (40).
- ◆ Use protecção para olhos e luvas adequadas e tenha cuidado para não se cortar. Lime, cuidadosamente, as extremidades de corte da lâmina com uma lima fina (41) ou uma pedra de amolar, mantendo o ângulo da extremidade de corte original. Verifique o equilíbrio da lâmina. Consulte as instruções sobre como equilibrar a lâmina.
- ◆ Volte a instalar a lâmina no cortador e aperte-a com firmeza.

## Equilíbrio da lâmina

Verifique o equilíbrio da lâmina (38) colocando o orifício central da lâmina sobre um prego ou numa aparafusadora redonda, fixada horizontalmente num torno. Se alguma das extremidades da lâmina rodar para baixo, lime a aresta afiada do lado que estiver inclinado para baixo. A lâmina está equilibrada correctamente quando nenhuma das extremidades pender.

## Lubrificação

Não é necessária qualquer lubrificação. Não coloque óleo nas rodas. Estas possuem superfícies de plástico que não requerem lubrificação.

## Limpeza

Liberte a pega automotora (2) para desligar o cortador, aguarde até a lâmina parar e depois remova a chave de segurança. Utilize apenas sabão neutro e um pano húmido para limpar o cortador. Limpe quaisquer aparas que possam ter ficado acumuladas na parte inferior da estrutura. Após várias utilizações, verifique todos os fixadores expostos relativamente ao aperto.

## Prevenir a corrosão

Os fertilizantes e outros químicos de jardinagem contêm agentes que aceleram bastante a corrosão de metais. Se cortar em áreas nas quais tenham sido utilizados fertilizantes ou químicos, o cortador deve ser limpo imediatamente a seguir, da forma que se segue: Liberte a pega automotora (2) para desligar o cortador de relva e retire a ficha da tomada. Limpe todas as partes expostas com um pano húmido.

## Manutenção

O seu aparelho/ferramenta com/sem fios BLACK+DECKER foi concebido para funcionar durante muito tempo, com um mínimo de manutenção.

O funcionamento contínuo e satisfatório depende de uma manutenção adequada e limpeza regular da ferramenta/aparelho.

**Atenção!** Antes de proceder a qualquer acção de manutenção em ferramentas eléctricas com cabo/sem fios:

- ◆ Desligue o aparelho/ferramenta e retire a respectiva ficha da tomada.
- ◆ Ou deixe a bateria descarregar completamente se estiver incorporada e, em seguida, desligue-a.
- ◆ Desligue o carregador antes de o limpar. O seu carregador não necessita de manutenção para além da limpeza regular.
- ◆ Limpe regularmente as ranhuras de ventilação da ferramenta/aparelho e do carregador com uma escova suave ou um pano seco.
- ◆ Limpe regularmente o compartimento do motor com um pano húmido. Não utilize produtos de limpeza abrasivos ou à base de solventes.
- ◆ Utilize regularmente uma raspadeira para remover relva e sujidade da parte inferior da protecção.

### Resolução de problemas

Se achar que o aparelho não está a funcionar correctamente, respeite as instruções apresentadas em seguida. Se não conseguir resolver o problema, contacte o agente local de reparação BLACK+DECKER.

**Atenção!** Antes de prosseguir, liberte a barra dos fardos para desligar o cortador de relva, aguarde até a lâmina parar.

Problema	Possível solução
<b>O cortador de relva funciona, mas o desempenho de corte não é satisfatório,</b>	<p>Liberte a pega automotora para desligar o cortador. Desligue o cortador de relva. Volte o cortador ao contrário e verifique:</p> <ul style="list-style-type: none"> <li>◆ A afiação da lâmina - mantenha a lâmina afiada.</li> <li>◆ A estrutura e o cano de descarga no que respeita a obstruções.</li> </ul> <p>O ajuste de altura das rodas poderá estar definido demasiado baixo para as condições da relva. Eleve a altura de corte.</p>
<b>É excessivamente difícil empurrar o cortador.</b>	<p>Liberte a pega automotora para desligar o cortador. Desligue o cortador de relva. Eleve a altura de corte para reduzir o efeito de arrastamento da estrutura na relva. Verifique se todas as rodas giram livremente.</p>
<b>O cortador emite ruído e vibração anormais.</b>	<p>Liberte a pega automotora para desligar o cortador. Desligue o cortador de relva. Coloque o cortador de lado e verifique a lâmina de modo a certificar-se de que não está dobrada ou danificada. Se a lâmina se encontrar danificada, substitua-a por uma lâmina de substituição da BLACK+DECKER. Se a parte inferior da estrutura se encontrar danificada, leve-o a um centro de assistência autorizado da BLACK+DECKER.</p> <p>Se não existirem danos visíveis na lâmina e o cortador continuar a vibrar:</p> <ul style="list-style-type: none"> <li>◆ Liberte a pega automotora para desligar o cortador.</li> <li>◆ Desligue o cortador de relva.</li> <li>◆ Desmonte toda a lâmina, como descrito na secção "Retirar e instalar a lâmina".</li> <li>◆ Retire todos os resíduos e limpe cada peça.</li> <li>◆ Volte a montar todas as peças, como descrito na secção "Retirar e instalar a lâmina".</li> </ul> <p>Se o cortador continuar a vibrar, leve-o a um centro de assistência autorizado da BLACK+DECKER.</p>
<b>Os LED do carregador não acendem.</b>	<p>Verifique se a ficha está ligada.</p> <p>Volte a ligar o carregador.</p>
<b>O cortador não aspira aparas com o saco.</b>	<p>Cano obstruído. Liberte a pega automotora para desligar o cortador. Desligue o cortador de relva. Elimine as aparas de relva no cano.</p> <p>Eleve a altura de corte das rodas para diminuir o comprimento do corte.</p> <p>Saco cheio. Esvazie o saco com maior frequência.</p>

Problema	Possível solução
<b>O cortador não funciona quando a pega automotora é activada.</b>	<p>Certifique-se de que o cortador de relva está devidamente ligado e que premiu totalmente o botão na caixa de comutação antes de puxar a pega automotora.</p> <p>Liberte a pega automotora para desligar o cortador. Remova a chave de segurança e a bateria, volte o cortador e certifique-se de que a lâmina gira livremente.</p> <p>Verifique se a cavidade da bateria se encontra isenta de detritos e correctamente ligada.</p> <p>A bateria foi completamente carregada? Prima o botão do estado de carga.</p>
<b>O motor pára durante o corte.</b>	<p>Liberte a pega automotora para desligar o cortador. Remova a chave de segurança e a bateria, volte o cortador de relva e certifique-se de que a lâmina gira livremente.</p> <p>Eleve a altura de corte das rodas para a posição mais elevada e ligue o cortador.</p> <p>Verifique se a cavidade da bateria se encontra isenta de detritos e correctamente ligada.</p> <p>A bateria foi completamente carregada? Prima o botão do estado de carga.</p> <p>Evite sobrecarregar o cortador. Diminua a velocidade de corte ou eleve a altura de corte.</p>

### Protecção do ambiente



Faça uma recolha de lixo selectiva. Os produtos e baterias assinalados com este símbolo não devem ser eliminados em conjunto com resíduos domésticos normais.

Os produtos e baterias contêm materiais que podem ser recuperados ou reciclados, reduzindo a necessidade de matérias-primas. Recicle os produtos eléctricos e as baterias de acordo com as disposições locais. Estão disponíveis mais informações em [www.2helpU.com](http://www.2helpU.com)



**Dados técnicos**

		CLM5448PC	CLM5448PCB
Tensão	V <sub>cc</sub>	54V	54V
Velocidade sem carga	min. <sup>-1</sup>	0 - 2900	0 - 2900
Peso	kg	26,62	24,15
Comprimento da lâmina	mm	48	48
Bateria		BL2554	Unidade de base. (sem bateria incluída)
Tensão	V <sub>cc</sub>	54/18 v DUALVOLT	
Capacidade	Ah	2,5	
Tipo		lões de lítio	
Carregador		BDC2A	Unidade de base. (sem carregador instalado)
Tensão de entrada	V <sub>ac</sub>	220 - 240	
Corrente de saída	mA	2000mA	
Tempo de carga aprox.	h	3,75	

Vibração medida da mão/do braço:  
= 4,4m/s<sup>2</sup>, imprecisão (K) = 1,5m/s<sup>2</sup>.

L<sub>na</sub> (pressão acústica) 83 dB(A)  
imprecisão (K) = 2,5 dB(A)

**Declaração de conformidade CE**  
**DIRECTIVA "MÁQUINAS"**  
**DIRECTIVA SOBRE RUIDO EXTERIOR**



Cortador de relva CLM5448PC, CLM5448PCB

A Black & Decker declara que os produtos descritos nos "dados técnicos" estão em conformidade com: 2006/42/CE, EN 60335-1:2012 + A11:2014, EN 60335-2-77:2010

2000/14/CE, Cortador de Relva, L < 50cm, Anexo VI, Certificação da DEKRA B.V., Utrechtseweg 310, ED Arnhem N.º de ID do Organismo Notificado dos Países Baixos: 0344 Nível de potência acústica de acordo com a norma 2000/14/ E(Artigo 12, Anexo III, L < 50 cm):

L<sub>wa</sub> (potência acústica medida) 89,5 dB(A)  
imprecisão (K) = 1,2 dB(A)

L<sub>pa</sub> (potência sonora garantida) 96 dB(A)

Estes produtos respeitam também as directivas 2014/30/UE, 2011/65/UE. Para mais informações, contacte a Black & Decker para o endereço seguinte ou consulte o verso do manual.

O signatário é responsável pela compilação do ficheiro técnico e efectua esta declaração em nome da Black & Decker.

R. Laverick  
Director de Engenharia  
Black & Decker Europe, 210 Bath Road, Slough,  
Berkshire, SL1 3YD  
Reino Unido  
26/08/2016

**Garantia**

A Black & Decker confia na qualidade dos seus produtos e oferece aos clientes uma garantia de 24 meses a partir da data de compra. Esta garantia é um complemento dos seus direitos estabelecidos por lei, não os prejudicando de forma alguma. A garantia é válida nos Estados-membros da União Europeia e nos países-membros da Zona Europeia de Comércio Livre.

Para accionar a garantia, esta deve estar em conformidade com os termos e condições da Black&Decker e terá de apresentar comprovativos de compra ao vendedor ou a um agente de reparação autorizado.

Os termos e condições da garantia de 2 anos da Black&Decker e a localização do agente de reparação autorizado mais próximo podem ser obtidos na Internet em [www.2helpU.com](http://www.2helpU.com) ou contactando uma filial da Black & Decker, cuja morada está indicada neste manual.

Visite o nosso Website [www.blackanddecker.co.uk](http://www.blackanddecker.co.uk) para registar o novo produto Black & Decker e manter-se atualizado relativamente a novos produtos e ofertas especiais.

**Avsedd användning**

Din BLACK+DECKER CLM5448PC & CLM5448PCB gräsklippare har designats för gräsklippning. Dessa apparater är endast avsedda för konsumentbruk.

**Säkerhetsinstruktioner**

**Varning!** Vid användning av sladdlösa apparater ska grundläggande säkerhetsanvisningar, inklusive nedanstående, alltid följas. Detta för att minska risken för brand, elektriska stötar, person- och materialskador.

**Varning!** Vid användning av maskinen ska säkerhetsföreskrifterna följas. För din egen och närvarande personers säkerhet bör du läsa dessa instruktioner innan du använder maskinen. Spara instruktionerna för senare bruk.

- ♦ Läs hela den här bruksanvisningen noga innan du börjar använda apparaten.
- ♦ Avsedd användning beskrivs i denna bruksanvisning. Använd inte apparaten med andra tillbehör än de som rekommenderas i den här bruksanvisningen och inte heller till andra användningsområden eftersom det kan leda till personskador.
- ♦ Spara den här bruksanvisningen för framtida referens.

**Använda apparaten**

Var alltid försiktig när du använder apparaten.

- ♦ Denna apparat är inte avsedd att användas av unga eller oerfarna personer utan övervakning.
- ♦ Apparaten ska inte användas som leksak.

- ♦ Låt inte barn eller djur komma i närheten av arbetsområdet eller vidröra apparaten eller nätsladden.
- ♦ Om det finns barn i närheten när du använder apparaten ska du övervaka dem noga.
- ♦ Använd den endast på en torr plats. Skydda apparaten från väta.
- ♦ Sänk aldrig apparaten i vatten.
- ♦ Öppna inte höljet.  
Det finns inga servicebara delar på insidan.
- ♦ För att undvika explosionsrisk bör du inte använda apparaten i omgivningar med brandfarliga vätskor, gaser eller damm.
- ♦ Dra aldrig i sladden när du vill ta ut kontakten ur uttaget. Detta för att minska risken för skador på kontakter och sladdar.
- ♦ Innan användning ska du alltid kontrollera om kniven, knivmuttern eller klippmontaget är slitna eller skadade. Byt ut slitna eller skadade komponenter i set för att bevara balansen.
- ♦ För att undvika riskerna med oavsiktlig återställning av termiska brytaren får inte denna apparat strömförsörjas via en extern brytarens såsom en timer eller anslutas till en krets som regelbundet slår på och stänger av hjälpmotorn.
- ♦ Använd aldrig maskinen i närheten av personer, särskilt barn och husdjur.
- ♦ Kom ihåg att det är användaren som ansvarar för olyckor och risker som andra människor eller deras egendom utsätts för.

## Före användningen

- ◆ Bär alltid kraftiga skor och långbyxor när du använder maskinen. Var inte barfota och bär inte sandaler med öppen tå när du använder maskinen. Undvik kläder som är löst sittande eller med hängande snören eller band.
- ◆ Inspektera alltid området noggrant där maskinen ska användas och rensa bort alla föremål som kan kastas iväg av maskinen.
- ◆ Innan användning ska du alltid kontrollera om kniven, knivmuttern eller knivenheten är slitna eller skadade. Byt ut slitna eller skadade komponenter i set för att bevara balansen. Byt ut skadade eller oläsliga etiketter.

## Efter användning

- ◆ När den inte används ska apparaten förvaras på en torr plats med god ventilation och utom räckhåll för barn.
- ◆ Barn ska inte ha tillgång till apparater under förvaring.
- ◆ När apparaten förvaras eller transporteras i en bil ska det placeras i bagageutrymmet eller spännas fast så att det inte rör sig vid plötsliga ändringar av hastighet eller riktning.

## Kontroll och reparationer

- ◆ Kontrollera att apparaten är hel och att inga delar är skadade innan du använder den. Kontrollera att inga delar är trasiga, att strömbrytaren fungerar och att inget annat föreligger som kan påverka dess funktion.

- ◆ Använd inte apparaten om någon del har skadats eller gått sönder.
- ◆ Låt en auktoriserad verkstad reparera eller byta ut skadade eller trasiga delar.
- ◆ Försök aldrig avlägsna eller byta ut andra delar än de som anges i den här bruksanvisningen.
- ◆ Var försiktig när du justerar gräsklipparen så att inte fingrarna fastnar mellan knivar/delar som rör sig och maskinens fasta delar.
- ◆ När service görs på kniven var medveten om att, även om strömkällan är avstängd kan kniven fortfarande röra sig.

## Ytterligare säkerhetsanvisningar för gräsklippare

- ◆ Transportera inte maskinen medan strömkällan är påslagen
- ◆ Håll gräsklipparen i ett stadigt grepp med båda händerna vid användning.
- ◆ Om du någon gång behöver luta gräsklipparen ska du ha båda händerna i rätt läge för användning när gräsklipparen lutas. Håll båda händerna i rätt läge för användning tills gräsklipparen åter står på marken.
- ◆ Lyssna aldrig på radio eller musik i hörlurar när du använder gräsklipparen.
- ◆ Försök aldrig justera hjulhöjden medan motorn är igång eller när säkerhetsnyckeln sitter på sin plats.

- ◆ Om gräsklipparen kör fast ska du släppa säkerhetsbygeln för att stänga av den och vänta tills kniven stannat innan du försäker att ta bort det som fastnat eller tar bort något från klipparens undersida.
- ◆ Håll händerna och fötterna borta från knivområdet.
- ◆ Håll knivarna vassa. Använd alltid skyddshandskar när du hanterar gräsklipparens kniv.
- ◆ Om du använder gräsuppsamlaren bör du regelbundet kontrollera att den inte är utsliten eller har skadats. Om den är alltför sliten bör du för din egen säkerhet byta ut gräsuppsamlaren mot en ny.
- ◆ Var extra försiktig när du backar eller drar gräsklipparen mot dig.
- ◆ Ha inte händer eller fötter i närheten av eller under gräsklipparen. Stå aldrig framför utmatningsöppningarna.
- ◆ Rensa området där gräsklipparen ska användas från stenar, grenar, ledningar, leksaker, ben osv. eftersom de kan kastas iväg av knivarna. Föremål som träffas av knivarna kan orsaka allvarliga personskador. Stanna bakom handtaget när motorn är igång.
- ◆ Var inte barfota och bär inte sandaler när du använder gräsklipparen. Bär alltid kraftiga skor.
- ◆ Dra inte gräsklipparen baklänges om det inte är absolut nödvändigt. Titta alltid nedåt och bakåt innan och medan du drar gräsklipparen baklänges.
- ◆ Rikta aldrig utmatningen mot någon annan. Undvik utmatning mot en vägg eller ett hinder. Material kan studsas tillbaka mot användaren. Släpp säkerhetsbygeln för att stänga av gräsklipparen och låt kniven stanna innan du korsar grusområden.
- ◆ Använd inte gräsklipparen om inte gräsuppsamlare, utkastarskydd, bakre skydd och andra säkerhetsanordningarna är monterade och fungerar. Kontrollera alla skydd och säkerhetsanordningarna regelbundet för att säkerställa att de är hela och fungerar som de ska. Byt ut skadade skydd och säkerhetsanordningar innan fortsatt användning.
- ◆ Lämna aldrig gräsklipparen obebaktad när den är igång.
- ◆ Släpp alltid säkerhetsbygeln för att stoppa motorn och vänta tills kniven har stannat helt innan gräsklipparen rengörs, gräsbehållaren tas bort, utkastarskyddet rensas, gräsklipparen lämnas obebaktad eller justeringar, reparationer eller kontroller utförs.
- ◆ Använd bara gräsklipparen i dagsljus eller i bra artificiell belysning när föremål inom arbetsområdet är väl synliga från gräsklipparens arbetsområde.
- ◆ Använd inte gräsklipparen när du är påverkad av alkohol eller droger eller när du är trött eller sjuk. Var alltid uppmärksam, titta på vad du gör och använd vanligt sunt förnuft.
- ◆ Undvik farliga miljöer.

Använd aldrig gräsklipparen i fuktigt eller vått gräs och använd den aldrig när det regnar. Se alltid att alltid ha bra fotfäste. Gå alltid, spring aldrig.

- ◆ Om gräsklipparen börjar vibrera på ett onormalt sätt ska du släppa säkerhetsbygeln, vänta tills kniven har stannat och sedan genast orsaken till problemet. Vibrationer innebär oftast problem. Titta i felsökningsguiden för råd vid onormala vibrationer.
- ◆ Bär alltid skyddsglasögon och munskydd när du använder gräsklipparen.
- ◆ Det kan vara farligt att använda tillbehör som inte är rekommenderade för användning med den här gräsklipparen. Använd enbart tillbehör godkända av BLACK+DECKER.
- ◆ Sträck dig inte för långt när du använder gräsklipparen. Se till att du alltid har säkert fotfäste och god balans när du använder gräsklipparen.
- ◆ Arbeta tvärs över sluttningar, inte upp och ner. Var mycket försiktig när du byter riktning vid arbete på sluttningar.
- ◆ Se upp för hål, hjulspår, gupp, stenar eller andra dolda föremål. Ojämn terräng kan orsaka halk- och fallskador. Långt gräs kan dölja hinder.
- ◆ Klipp inte i vått gräs eller mycket branta sluttningar. Dåligt fotfäste kan orsaka halk- och fallskador.
- ◆ Klipp inte i närheten av branter, diken eller sluttningar.  
Du kan tappa fotfästet eller balansen.
- ◆ Låt alltid gräsklipparen svalna innan du ställer undan den.

Dra ur kontakten från uttaget och ta bort batteriet från maskinen. Se till att alla rörliga delar har stannat helt:

- ◆ Varje gång du lämnar maskinen;
- ◆ Innan du tar bort en blockering;
- ◆ Innan du kontrollerar, rengör eller arbetar med apparaten.

## Andras säkerhet

- ◆ Denna apparat är inte avsedd att användas av personer (inklusive barn) med reducerad fysisk, sensorisk eller mental förmåga eller med begränsad erfarenhet eller kunskap såvida inte de är under uppsikt eller fått instruktioner om användning av apparaten av en person som är ansvarig för deras säkerhet.
- ◆ Barn måste hållas under uppsikt så att de inte leker med redskapet.
- ◆ När apparaten kört på ett främmande föremål. Inspektera apparaten efter skador och reparera om så behövs.

## Övriga risker.

Ytterligare risker som inte finns med i de bifogade säkerhetsanvisningarna kan uppstå när verktyget används. Dessa risker kan uppstå vid felaktig eller långvarig användning, etc.

Även om alla relevanta säkerhetsanvisningar följs och säkerhetsanordningar används kan vissa ytterligare risker inte undvikas. Dessa omfattar:

- ◆ Skador orsakade av att roterande/rörliga delar vidrörs.

- ♦ Skador som uppstår vid byte av delar, kniv eller tillbehör.
- ♦ Skador som orsakas av långvarig användning av ett verktyg. Se till att regelbundet ta vilopauser när du använder ett verktyg under en längre period.
- ♦ Hörselnedsättning.
- ♦ Hälsorisker orsakade av inandning av damm när redskapet används (exempel: arbete med trä, särskilt ek, bok och MDF.)
- ♦ Om användning av gräsklipparen i en fuktig miljö inte kan undvikas bör en jordfelsbrytare användas med en frånslagingsström på inte mer än 30 mA användas.  
Användning av jordfelsbrytare minskar risken för elektriska stötar.
- ♦ Lyft aldrig upp eller bär en apparat medan motorn körs.

## Varningssymboler

Följande varningssymboler finns på redskapet, tillsammans med datumkoden:



Varning! Läs bruksanvisningen innan användning.



Tänk på att knivarna är vassa. Knivarna rör sig en kort stund efter att motorn stängts av  
-Ta bort obrukbar enhet innan underhåll eller om sladden är skadad.



Se upp för flygande föremål. Håll andra personer borta från arbetsområdet.



Bär skyddsglasögon



Kniven fortsätter att rotera en kort stund efter att du har stängt av maskinen.



Garanterad ljudnivå enligt direktiv 2000/14/EG.

## Ytterligare säkerhetsinstruktioner för batterier och laddare

### Batterier

- ♦ Försök aldrig öppna batteriet.
- ♦ Utsätt inte batteriet för vatten.
- ♦ Utsätt inte batteriet för värme.
- ♦ Förvara inte apparaten på platser där temperaturen kan bli högre än 40 °C.
- ♦ Ladda endast vid temperaturer mellan 10 °C och 40 °C.
- ♦ Ladda endast med hjälp av laddaren som medföljer apparaten/verktyget. Användning av fel laddare kan resultera i en elektrisk stöt eller att batteriet överhettas.
- ♦ Följ instruktionerna som anges i sektionen "Skydda miljön" när du kastar batterierna.
- ♦ Skydda batteriet från skador/deformationer i form av slag och stötar eftersom det kan leda till personskador eller eldsvåda.
- ♦ Ladda inte skadade batterier.
- ♦ Under extrema förhållanden kan batterierna läcka. Om det finns vätska på batterierna ska du torka bort vätskan försiktigt med en trasa.

Undvik hudkontakt.

- ◆ Följ instruktionerna nedan vid kontakt med hud eller ögon.

**Varning!** Batterivätskan kan orsaka person- eller materialsador. Vid hudkontakt, skölj genast med vatten.

Vid rodnader, smärta eller irritation ska läkare uppsökas. Vid kontakt med ögon, skölj genast med rent vatten och uppsök läkare.



Försök inte ladda skadade batterier

## Laddare

Laddaren är avsedd för en viss spänning. Kontrollera alltid att nätspänningen överensstämmer med spänningen på typskylten.

**Varning!** Försök aldrig byta ut laddaren mot en vanlig nätkontakt.

- ◆ Använd endast laddaren från Black & Decker för att ladda batteriet i apparaten/ verktyget och som medföljde verktyget.
- Andra batterier kan spricka och orsaka personskador och andra skador.
- ◆ Försök aldrig ladda batterier som inte är uppladdningsbara.
- ◆ Om nätsladden är skadad måste den bytas ut av tillverkaren eller ett auktoriserat Black & Decker servicecenter för att undvika faror.
- ◆ Utsätt inte laddaren för vatten.
- ◆ Öppna inte laddaren.
- ◆ Gör ingen åverkan på laddaren.

- ◆ Apparaten/verktyget/batteriet ska placeras på en plats med god ventilation vid laddning.



Laddaren är endast avsedd för användning inomhus.



Läs bruksanvisningen före användning.

**Viktigt:** Endast följande laddare skall användas för att ladda 54 V batteriet BL1554 och BL2554:

90589867, 90621477, 90590287-01, 90590289-01, 90602042-01, 90590287-02, 90590289-02, 90599854-02, 90599854-06, 90599853-05, 90634971, 90634972, 90634973, 90642266, 90642264, 90642265, BDC2A

## Elsäkerhet



Laddaren är dubbelisolerad, därför krävs ingen jordledning.

Kontrollera alltid att nätspänningen överensstämmer med spänningen på typskylten. Försök aldrig byta ut laddaren mot en vanlig elkontakt.

- ◆ Om nätsladden skadas ska den bytas av tillverkaren eller ett auktoriserat Black & Decker servicecenter för att undvika faror.

## Funktioner

Denna apparat har några eller samtliga av följande funktioner.

1. Kopplingsdosa
2. Säkerhetsbygel
3. Övre handtag
4. Nedre handtag
5. Övre handtag fästhåvrm (2)
6. Nedre handtag fästhåvrm (2)
7. Inställningshåvrm klipphöjd
8. Gräsuppsamlare
9. Lucka bakre öppning
10. Instrumentpanel

11. STRÖMKOMMANDO batteriomkopplare
12. Lucka batterifack
13. Bärhandtag
14. EdgeMax™

## Laddningsförlopp

BLACK+DECKER laddare är designade för att ladda BLACK+DECKER batteripaket.

- ◆ Koppla in laddaren i lämpligt uttag innan batteripaketet sätts i.
- ◆ Sätt i batteripaketet i laddaren.



Den gröna LED:n blinkar, vilket indikerar att batteriet laddas



När laddningen är klar indikeras detta av att den gröna LED:n lyser kontinuerligt. Batteriet är fulladdat och kan nu användas eller lämnas i laddaren

**Varning!** Ladda urladdade batterier så snart som möjligt efter användning, i annat fall kan batterilivslängden minska betydligt.

## Laddardiagnostik

Denna laddare är designad att upptäcka vissa problem som kan uppstå med batteripaketet eller strömkällan. Problemen indikeras av en LED-blinkning i olika mönster.

### Dåligt batteri



Laddaren kan upptäcka ett svagt eller skadat batteri. Den röda LED blinkar i mönstret som anges på etiketten. Om du ser detta blinkmönster för dåligt batteri, fortsätt då inte att ladda batteriet.

Returnera det till ett servicecenter eller lämna det till batteriinsamlingen.

### Hett/kallt paketfördröjning



När laddaren upptäcker ett batteri som är överdrivet hett eller överdrivet kallt, kommer den automatiskt att starta en varm/kallt fördröjning och avbryta laddningen tills batteriet har nått en lämplig temperatur.

När detta sker växlar laddaren automatiskt till paketladdningssläget. Denna funktion garanterar maximal batterilivslängd. Den röda LED blinkar i mönstret som anges på etiketten när den heta/kalla paketfördröjningen upptäcks.

### Viktiga anmärkningar gällande laddning

- ◆ Längsta livslängd och bästa prestanda uppnås om batteripaketet laddas då lufttemperaturen är mellan 16 °C och 27 °C.
- ◆ Ladda INTE batteripaketet i lufttemperaturer under +4,5 °C eller över +40,5 °C.

Detta är viktigt eftersom det förhindrar allvarlig skada på batteripaketet.

- ◆ Laddaren och batteripaketet kan bli för varma att vidröra under laddningen. Detta är normalt och indikerar inte något problem. För att möjliggöra kylning av batteripaketet, undvik att placera laddaren eller batteripaketet på en varm plats såsom i ett metallskjul eller i en oisolerad vagn.
- ◆ Om batteripaketet inte laddas korrekt:
  - ◆ Kontrollera eluttaget genom att ansluta en lampa eller någon annan apparat.
  - ◆ Kontrollera om uttaget är anslutet till en strömbrytare som stänger av strömmen när du tänder lamporna.
  - ◆ Flytta laddaren och batteripaketet till en plats där den omgivande temperaturen är ungefär 16°C - 27 °C.).
  - ◆ Om laddningsproblemen kvarstår, lämna verktyget, batteripaketet och laddaren till ditt lokala servicecenter.
- ◆ Batteripaketet måste laddas när de inte längre kan producera tillräckligt med energi för jobb som enkelt utfördes tidigare. FORTSÄTT INTE att använda det under dessa förhållanden. Följ laddningsproceduren. Du kan också ladda ett delvis använt paket när du så önskar utan att det har någon negativ effekt på batteripaketet.
- ◆ Främmande föremål som är ledande såsom, men inte begränsat till, stålull, aluminiumfolie eller ansamling av metallpartiklar bör hållas borta från laddningshållrummet. Koppla alltid ifrån laddaren från eluttaget när det inte finns något batteripaket i facket. Koppla ifrån laddaren vid rengöring.
- ◆ Frys inte eller sänk ned laddaren i vatten eller annan vätska.

**Varning!** Låt ingen vätska komma in i laddaren.

**FÖRSÖK ALDRIG ATT ÖPPNA BATTERIPAKETET AV NÅGON ANLEDNING. OM PLASTHÖLJET PÅ BATTERIPAKETET GÅR SÖNDER ELLER SPRICKER, LÄMNA DET TILL ETT SERVICECENTER FÖR ÅTERVINNING.**

### Batteriindikator för laddningsstatus

Batteriet är utrustat med en indikator för laddningsstatus. Den kan användas för att visa den aktuella laddningsnivån i batteriet under klippningen och under laddning. Den indikerar inte verktygets funktionalitet och kan variera baserat på produktkomponenter, temperatur och slutanvändarens användning.

### Kontrollera laddningsstatus:

- ◆ Tryck på statusknappen för laddningsindikatorn (A1).
- ◆ De tre lysdioderna (A2) kommer att lysa för att indikera laddningsprocenten i batteriet. Se tabell i bild A.
- ◆ Om LED-lampan inte lyser, ladda batteriet.

### Montering och borttagning av batteripaketet

**Varning!** Se till att säkerhetsnyckeln är borttagen för att förhindra aktivitet innan batteriet tas bort eller installeras.



**Installera batteripaket:**

- ◆ Lyft på locket till batteriuttaget (12) för att visa batteriuttaget (15).
- ◆ Skjut batteriet (16) in i batteriuttaget tills det sitter helt fast och ett ljudligt klick hörs (bild B).  
Se till att batteripaketet sitter helt på plats och är låst i positionen. Upprepa processen för det andra batteriuttaget.
- ◆ Stäng luckan till batteriuttaget. Se till att locket är helt fastsatt innan gräsklipparen startas.

**Ta bort batteripaket:**

- ◆ Öppna batterifackets lock (12) såsom beskrivs ovan.
- ◆ Tryck ned batteriets lås knapp (16a) som är placerad på batteripaketet och dra ut batteripaketet från verktyget såsom visas i bild C.

**STRÖMKOMMANDO batteripaketval**

**Varning!** Se till att säkerhetsnyckeln är borttagen för att förhindra aktivitet innan val av aktivt batteri.

Gräsklipparen är utrustad med en STRÖMKOMMANDO batterival knapp (11). Den används för utökad körtid. Tryck batterival knappen (bild D) åt höger eller vänster.

- ◆ Sidan markerad med "1" aktiveras vänstra sidans batteriuttag.
- ◆ Sidan markerad med "2" aktiverar högra sidans batteriuttag.

**Notera:** Gräsklipparen kan arbeta med ett enda batteripaket om omkopplaren är i korrekt position.

**Aktivt batteri, status på laddningsindikatorerna**

**Notera:** Statusen på laddningen indikeras endast när ett batteripaket är isatt eller när gräsklipparen är påslagen eller när ett enda batteri finns närvarande och när omkopplaren är inställd på att ansluta den för att köra gräsklipparen. Denna gräsklipparen är utrustad med en statusindikator för laddningen som är placerad på basen av instrumentpanelen (10). Den används för att visa det aktiva batteriuttaget och aktuell laddning i det aktiva batteriet. När ett batteripaket är installerat i batteriuttaget kommer de tre LED för laddningsnivå att lysa i tre sekunder för att visa aktuell spänningsnivå på laddningen i batteriet och sedan stängas av. När gräsklipparen används kommer spänningsnivån för laddningen för det valda, aktiva batteriet att visas.

- ◆ När gräsklipparen först aktiveras kommer alla LED-indikatorlampor att lysa på instrumentpanelen (10) temporärt.
- ◆ Instrumentpanelens LED-lampor på sidan med det inaktiva batteriet kommer att stängas av.
- ◆ Instrumentpanelens LED (17) på sidan med det aktiva batteriet fortsätter att lysa och de tre laddningsindikatorernas LED (18) kommer att indikera laddningsprocenten i batteriet. (Se tabell i bild A.)
- ◆ Om inga LED lyser för det aktiva batteriet, växla med batterival knappen (11) till det inaktiva batteriet.

Om inget batteri-LED lyser, ladda batteriet.

**Notera:** Säkerhetsnyckeln måste vara isatt för att alla LED och omkopplingsfunktionerna skall fungera såsom beskrivits.

**DUALVOLT 54V Batteripaket (bild C1.)**

Dualvolt 54V batteripaketet kan användas med 54V och 18V Black+Decker sladdlösa verktyg. Batteriet kan känna av verktyget som det är isatt i och kommer att köra med den relevanta effekten och tillhandahålla längre körtid i 18V verktyg. Det finns en statusknapp för laddningen (16b) som kommer att indikera laddningsnivån för både 54V och 18V.

**Montering**

**Varning!** Innan montering se till att säkerhetsbygeln är lossad och säkerhetsnyckeln är borttagen.

**Fästa nedre handtaget**

- ◆ Lyft nedre handtaget (4) på plast och se till att pilen (19) på basen av gräsklipparen är i linje med 1, 2 eller S på basen på handtaget (20) (insatt i bild F)

**Notera!** Se till att varje sida av de nedre handtagen är inställda på samma nummer. Pilen måste vara i linje med 1 eller 2 för drift.

- ◆ Stäng handtags höjinställningshävarm (6) såsom visas i bild F. När du stänger var och en, se till att tänderna aktiveras såsom visas i bild G.
- ◆ Om anslutningen mellan handtaget och spaken är för tight, öppna hävarmen och ställ in djupet genom att vrida på spaken. Stäng den igen tills tänderna spänner fast och varje spak är säkert stängd.

**Fästa övre handtaget (bild H)**

Det övre handtaget har tre olika monteringshål för olika positioner (21) för inställning av längden på handtaget från däckets. Den första uppsättningen med hål nära undre delen av den övre hantagsröret ger maximal handtagslängd. Användning av de mellersta och översta monteringspositionerna kommer att förkorta handtagslängden

- ◆ Ta bort det övre handtaget hävarmen (5), muttrar (22) och brickor (23) från handtaget.
- ◆ Rikta in hålen på undersidan av övre handtaget (3) mot hålen på ovansidan av det nedre handtaget (4).

**Notera:** Se till att sladden är framför båda handtagen såsom visas i bild L. Om inte kan det resultera i att sladden trasslar och det försvårar möjligheten att förvara gräsklipparen.

- ◆ Från utsidan av det övre handtaget (3), skjut spakbulten genom hålen.
- ◆ Skjut brickan över bulten på hävarmen och montera löst hela montaget med muttern.
- ◆ Vrid det övre handtaget till dess driftläge.
- ◆ Stäng spaken. Om det är för tight eller för löst, öppna spaken och muttern för att ställa in fastspänningen.

Kontrollera hävarmarna genom att stänga dessa. De skall vara tillräckligt ticht så att handtagen hålls fast men tillräckligt löst så att hävarmarna kan stängas. Ställ in öppningen för hävarmen genom att vrida på muttern tills handtaget sitter fast.

### Fästa motorkabeln (bild I)

**Varning:** Fäst kabeln så att den inte sträcks eller kläms i fästpunkterna för handtaget under användning eller ihopvikning. Det kan göra att sladden skadas.

Motorkabeln måste fästas i handtagen med kabelbanden som redan sitter på handtaget.

Fästa kabeln på handtaget:

- ◆ Placera handtaget i driftläge, se sektionen "Fästa nedre handtaget".
- ◆ Kör upp kabel framför det nedre och över handtaget.
- ◆ Dra tillbaka kabelbandet.
- ◆ Skjut motorkabeln under fästet och se till att det hålls på plats av bandet.

### Uppsamling

**Varning:** ta bort nyckeln och batteripaketet innan sidoutkastaren och mulltillsatsen tas bort och när den bakre luckan öppnas och uppsamlaren installeras.

- ◆ Se till att utkastarfästet (26) (bild M) och mullinsatsen (27) (bild L) är borttagna från gräsklipparen innan uppsamling.
- ◆ Lyft den bakre luckan (9) och sätt dit gräsuppsamlaren (8) på gräsklipparen så att uppsamlarens krokar (28) vilar på tapparna (29) såsom visas i bild K. Sänk sedan ned den bakre luckan.

### Mullning

**Varning!** Ta bort nyckeln och batteripaketet innan sidoutkastaren och uppsamlaren tas bort och när mullinsatsen installeras.

- ◆ Se till att sidoutkastet (26) och uppsamlaren (8) inte är ditsatt.
- ◆ Lyft den bakre luckan (9) och skjut mullinsatsen (27) helt upp på gräsklipparen såsom visas i bild L.
- ◆ Se till att den bakre luckan helt stänger innan gräsklipparen slås på.

### Sidoutkast

**Varning!** Ta bort nyckeln och batteripaketet innan uppsamlaren tas bort och när mullinsatsen och sidoutkastaren installeras.

- ◆ Se till att uppsamlaren (8) är borttagen.
- ◆ Lyft den bakre klaffen (9) och skjut mullinsatsen (27) helt upp på gräsklipparen såsom visas i bild L.
- ◆ Lyft den bakre klaffen (30) och haka fast utkastaren (26) på gräsklipparen såsom visas i bild M.

- ◆ Släpp sidoklaffen och se till att tillsatsen hålls på plats innan gräsklipparen slås på såsom visas i bild M.

### Drift

Läs igenom bruksanvisningen innan gräsklipparen används. Se "Funktioner" för att bekanta dig med de olika kontrollernas och inställningarnas placering. Spara denna manual för kommande referens.

**Varning!** Låt gräsklipparen arbeta i sin egen takt. Överbelasta inte.

**Varning!** Vass kniv i rörelse. Använd inte gräsklipparen i sidoutkastar- eller mullläge om den bakre luckan inte stängs av fjäderbelastningen eftersom det kan leda till allvarliga skador. Lämna in gräsklipparen på närmaste verkstad för reparation.

### Inställning av handtagshöjd (bild N)

- ◆ Öppna båda nedre handtagens fästhävarmar (6).
- ◆ Justera handtaget så att pilen (19) på basen på gräsklipparen är i linje med 1 eller 2 på basen på handtaget (20). Se till att handtaget är inställt på samma nummer på båda sidorna av gräsklipparen.
- ◆ Stäng båda spakarna och se till att handtaget sitter fast ihakad och att tänderna är aktiverade såsom visas i inlägget.

### Inställning av gräsklipparhöjd (bild O)

Klipphöjden justeras genom den centrala höjdställningshävarmen. Det finns sju lägen att välja mellan.

**Notera:** Om du är osäker på vilken höjd du skall klippa på, börja klippa med hävarmen för höjdställning (7) i läge 7 och sänk höjden om så behövs, såsom visas i bild O.

Så här ställer du in klipphöjden:

- ◆ Dra ut gräsklipparens spaken för höjdställning (7) ut från låsspåren (31).
- ◆ Flytta spaken mot apparaten baksida för att öka klipphöjden.
- ◆ Flytta spaken mot apparaten front för att sänka klipphöjden.
- ◆ Skjut spaken för höjdställningen in i ett av de sju låsspåren.

### Säkerhetsnyckel

För att förhindra oavsiktligt start eller obehörig användning av sladdlösa gräsklipparen finns en lösttagbar säkerhetsnyckel (32) inmonterad i designen av gräsklipparen. Gräsklipparen kommer att vara helt avaktiverad när säkerhetsnyckeln har tagits bort från gräsklipparen.

**Notera:** Säkerhetsnyckel har ett hål i mitten för att kunna förvara den på en spik utom räckhåll för barn. Fäst inte fast säkerhetsnyckeln på gräsklipparen.

**Varning!** den roterande kniven kan orsaka allvarliga skador.

För att förhindra allvarliga skador, ta bort säkerhetsnyckeln när gräsklipparen är utan uppsikt eller laddas, rengörs, får service, transporteras, lyfts eller förvaras.

## Starta gräsklipparen

**Varning!** Vass kniv i rörelse. Försök aldrig koppla förbi funktionen hos denna omkopplingsbox eftersom det kan leda till allvarliga olyckor.

**Notera:** Gräsklipparen är klar att tas i bruk när batteriet och säkerhetsnyckeln är installerad.

- ◆ Sätt i säkerhetsnyckeln (32) omkopplarhöljet (1) tills den sitter helt inuti höljet såsom visas i bild P. Gräsklipparen är nu klar att tas i bruk
- ◆ Denna gräsklipparen är utrustad med en special på-av omkopplingsbox. För att köra gräsklipparen, tryck på knappen (33) på omkopplingsboxen (1), dra sedan säkerhetsbygeln (2) till styrhandtaget såsom visas i bild Q. När gräsklipparen startat kan du släppa knappen.
- ◆ För att stänga av gräsklipparen, släpp bara säkerhetsbygeln.

**Varning!** Försök aldrig låsa eller fixera strömbrytaren eller säkerhetsbygeln (2) i påslaget läge.

**Notera:** När säkerhetsbygeln har återvänt till ursprungsläget aktiveras den automatiska bromsmekanismen. Motorn bromsas elektriskt och gräsklipparens kniv slutar rotera på 3 sekunder eller snabbare.

## Överbelastning av motorn

För att förhindra skador på grund av överbelastning, försök inte flytta för mycket gräs på en gång. Sänk klipphastigheten eller öka klipphöjden.

## EdgeMax™

EdgeMax™ (14) gör att du kan klippa gräs ända fram till en vägg eller ett staket (bild R1).

EdgeMax™ gör att du kan noggrant klippa gräs ända fram till slutet av gräsmattan (bild R2).

- ◆ Med gräsklipparen parallellt med kanten på gräsmattan, skjut gräsklipparen längs med kanten på gräsmattan, se till att EdgeMax™ är något över kanten på gräsmattan (bild R2).

**Notera:** När sidoutkastaren är fäst kan EdgeMax™ endast användas på höger sida av gräsklipparen.

## Förvaring

**Varning!** Den roterande kniven kan orsaka allvarliga skador. Släpp säkerhetsbygeln (2) för att stänga av gräsklipparen och ta ur säkerhetsnyckeln innan gräsklipparen lyfts, transporteras eller förvaras. Förvara gräsklipparen på ett torrt ställe.

**Varning!** För att undvika att klämmas skall fingrarna hållas borta från området runt handtagen när handtagen viks ihop.

**Varning!** Se till att kabeln inte sträcks eller kläms i fästpunkterna för handtaget under användning eller ihopvikning.

Det kan göra att sladden skadas.

Handtaget på gräsklipparen kan lätt vikas ned för snabb och bekväm förvaring.

- ◆ Håll i handtaget, öppna men ta inte bort det nedre handtagets fästhåvarmar (6) och vik handtaget mot fronten på gräsklipparen såsom visas i bild S.
- ◆ Justera handtaget så att pilen (19) på basen på gräsklipparen är i linje med "S" (20). Se till att handtaget är inställt på samma nummer på båda sidorna av gräsklipparen.
- ◆ Stäng båda håvarmarna och se till att handtaget har hakat fast.
- ◆ Öppna, men ta inte bort den över handtagets försthåvarm (5) och vik det över handtaget (3) tillbaka över det nedre handtaget (4) såsom visas i bild T.
- ◆ Gräsklipparen skall bli kompakt nedpackad såsom visas i bild U.

## Bära gräsklipparen

- ◆ Gräsklipparen kan bäras med bärhandtagen (13) såsom visas i bild V. Försök INTE att lyfta gräsklipparen genom att ta tag i det övre handtaget (3) eller det nedre handtaget (4).

## Tips vid klippning

**Varning!** Inspektera alltid området där gräsklipparen ska användas och rensa bort alla stenar, grenar, ledningar, ben och annat skräp som kan kastas iväg av gräsklipparen.

**Varning!** Arbeta tvärs över sluttningar, inte upp och ned. Var mycket försiktig när du byter riktning vid arbete på sluttningar. Använd inte gräsklipparen i branta sluttningar. Se till att alltid ha bra föttestä.

- ◆ Släpp säkerhetsbygeln för att stänga av gräsklipparen när du korsar grusområden (den roterande kniven kan slunga iväg stenar).
- ◆ Ställ gräsklipparen på högsta klipphöjden när du klipper på ojämn mark eller i högt gräs. Om gräsklipparen klipper för mycket gräs på en gång kan motorn överbelastas och stannar. Använd felsökningsguiden.
- ◆ Om gräsbehållaren (8) används under den snab-  
bväxande säsongen kan gräset komma att täppa igen utkastaröppningen. Släpp säkerhetsbygeln för att stanna gräsklipparen och ta därefter ur säkerhetsnyckeln. Ta bort gräsupsamlaren och skaka tills gräset hamnar längst bak i behållaren. Rensa bort eventuellt gräs eller skräp som samlats runt utkastaröppningen. Sätt tillbaka gräsupsamlaren.
- ◆ Om gräsklipparen börjar vibrera onormalt, släpp säkerhetsbygeln för att stänga av gräsklipparen och ta bort säkerhetsnyckeln. Kontrollera orsaken omedelbart. Vibrationer är vanligtvis ett tecken på problem. Använd inte gräsklipparen förrän den genomgått en servicekontroll. Använd felsökningsguiden i bruksanvisningen.

- ◆ Släpp alltid säkerhetsbygeln för att stanna gräsklipparen och ta därefter ur säkerhetsnyckeln även om du bara lämnar den övervakad under en kort stund.

### Tips för optimal prestanda

- ◆ Kör långsammare i områden där gräset är extra högt eller tjockt.
- ◆ Undvik att klippa när gräset är vått från regn eller fuktigt.
- ◆ Klipp din gräsmatta ofta, särskilt när den växer mycket.

**Notera:** Det rekommenderas att ladda gräsklipparen efter användningen för att förlänga batteriets livslängd.

Regelbunden laddning kommer inte att skada batteriet och ser till att batteriet är fulladdat och klart för nästa användning. Förvaring av batterier som inte är fulladdat kommer att förkorta dess livslängd.

### Borttagning och installation av knivar

**Varning!** Vid återmontering av knivsystemet, se till att varje del återinstalleras korrekt såsom beskrivs nedan.

Felaktig montering av kniven eller andra delar i knivsystemet kan orsaka allvariga skador.

**Varning!** Släpp säkerhetsbygeln för att stänga av gräsklipparen, vänta tills kniven stannat koppla sedan ifrån gräsklipparen.

- ◆ Skär till en bit 2x4 trä (34) (omkring 610 mm lång) för att förhindra att knivarna roterar när bulten tas bort (35).
- ◆ Använd handskar och ordentliga skyddsglasögon.
- ◆ Lägg gräsklipparen på sidan. Akta dig för knivens vassa kanter. Placera träbiten och skruva loss bulten med 13 mm skruvnyckel (36) såsom visas i bild W.
- ◆ Notera riktningen på varje del allteftersom du tar bort den. Ta bort bulten (35) och brickan (37). Ta bort kniven (38) såsom visas i bild X. Fläkten (39) skall inte tas bort. Kontrollera alla delar och byt om det behövs.
- ◆ Kniven kan endast fästas på fläkten åt ett håll. För att återmontera, rikta in det d-formade hålet på kniven mot den d-formade posten på fläkten, se till att texten på kniven är riktad ut från gräsklipparen.
- ◆ Dra åt ordentligt, placera träbiten såsom visas i bild Y för att förhindra att kniven roterar. Skjut bulten genom brickan och dra åt bulten medurs på plats med en 13mm skruvnyckel (36) såsom visas i bild Y.

### Slipa kniven

För bästa prestanda bör du se till att kniven alltid är vass. En slö kniv varken klipper eller finfördelar gräset ordentligt. Se till att skydda ögonen ordentligt när du tar bort, slipar eller monterar en kniv. Se till att säkerhetsnyckeln och batteriet är borttagna.

Under normala förhållanden räcker det att slipa kniven två gånger under en klippssäsong.

Sand gör att kniven snabbt blir slö. Om din gräsmatta växer i sandjord kan du behöva slipa knivarna oftare.

**Notera:** Byt ut böjda eller skadade knivar omedelbart.

Vid slipning av kniven:

- ◆ Kontrollera att kniven förblir balanserad.
- ◆ Slipa kniven med den ursprungliga klippningsvinkeln.
- ◆ Slipa skärkanterna i båda ändar av kniven och avlägsna lika mycket material från båda ändarna.

### Slipa en kniv i ett skruvstöd (bild V)

- ◆ Se till att säkerhetsbygeln är släppt, kniven har stannat och att säkerhetsnyckeln och batteripaketet tagits bort innan kniven tas bort.
- ◆ Ta bort kniven från gräsklipparen. Se instruktionen för borttagning och installation av kniven.
- ◆ Fäst kniven (38) i ett skruvstöd (40).
- ◆ Använd ordentliga ögonskydd och handskar och var försiktig så att du inte skär dig.  
Fila knivens skärkanter försiktigt med en fintandad fil (41) eller ett bryne för att återskapa den ursprungliga skärkanten. Kontrollera knivbalansen. Se instruktioner för knivbalansering.
- ◆ Sätt tillbaka kniven på gräsklipparen och dra åt ordentligt.

### Knivbalans

Du kontrollerar knivens (38) balans genom att placera knivens centrumhål runt en spik eller en skruvmejsel med runt skaft som fästs horisontellt i ett skruvstöd. Om någon ände hos kniven roterar nedåt, fila längs den vassa kanten på änden som roterar nedåt. Kniven är korrekt balanserad när ingen ände droppar ned.

### Smörjning

Ingen smörjning behövs. Häll inte olja på hjulen. Hjulets lagerytor är av plast och behöver inte smörjas.

### Rengöring

Släpp säkerhetsbygeln (2) för att stänga av gräsklipparen, låt kniven stanna helt och ta sedan bort säkerhetsnyckeln. Använd bara mild tvål och en fuktig trasa för att rengöra gräsklipparen. Ta bort eventuella gräsrester som kan ha samlats under gräsklipparen. Efter flera användningar bör du kontrollera alla utsatta fästelement är ordentligt åtdragna.

### Förebygga korrosion

Gödningssmedel och andra trädgårdskemikalier innehåller ämnen som i hög grad påskyndar korrosion av metaller. Om du klipper i områden där gödningsmedel eller kemikalier har använts bör gräsklipparen rengöras så här efteråt: Släpp säkerhetsbygeln (2) för att stänga av och koppla ifrån gräsklipparen. Torka av alla åtkomliga delar med en fuktigt trasa.

## Underhåll

Din BLACK+DECKER sladdanslutna/sladdlösa apparaten/verktyget har konstruerats för att fungera under lång tid med minsta möjliga underhåll. Med rätt underhåll och regelbunden rengöring behåller verktyget/apparaten sin funktion.

**Varning!** Innan något underhåll utförs på sladdanslutna/sladdlösa elverktyg:

- ◆ Stäng av apparaten/verktyget och dra ur nätkontakten.
- ◆ Om batteriet är inbyggt låter du det laddas ur helt innan avstängningen.
- ◆ Dra ur sladden till laddaren innan du rengör den. Laddaren behöver inget annat underhåll än regelbunden rengöring.
- ◆ Rengör regelbundet verktyget/apparaten luftintag med en mjuk borste eller torr trasa.
- ◆ Rengör motorkåpan regelbundet med en fuktig trasa. Använd aldrig något slipande eller lösningsmedelbaserat rengöringsmedel.
- ◆ Ta med jämna mellanrum bort gräs och smuts från skyddets undersida med en slö skrapa.

## Felsökning

Om apparaten inte fungerar som den ska följer du instruktionerna nedan. Om problemet kvarstår kontaktar du närmaste BLACK+DECKER-verkstad.

**Varning!** Innan du fortsätter, släpp säkerhetsbygeln för att stänga av gräsklipparen, väntar tills kniven stannat.

Problem	Möjlig lösning
Gräsklipparen är för tung att skjuta framåt.	Stäng av gräsklipparen genom att släppa upp säkerhetsbygeln. Koppla ifrån gräsklipparen. Öka klipphöjden för att minska undersidans motstånd mot gräset. Kontrollera att alla hjul roterar fritt.
Gräsklipparen bullrar och vibrerar onormalt mycket.	Stäng av gräsklipparen genom att släppa upp säkerhetsbygeln. Koppla ifrån gräsklipparen. Ställ gräsklipparen på sidan och säkerställ att kniven inte är böjd eller skadad. Om kniven är skadad ska den bytas mot en ersättningskniv från BLACK+DECKER. Om gräsklipparens underdel är skadad ska du lämna in gräsklipparen hos en auktoriserad BLACK+DECKER-verkstad.  Om det inte finns några synliga skador på kniven och gräsklipparen fortfarande vibrerar: ◆ Stäng av gräsklipparen genom att släppa upp säkerhetsbygeln. ◆ Koppla ifrån gräsklipparen. ◆ Demontera hela knivmontaget såsom beskrivs i sektionen "Borttagning och installation av kniv". ◆ Ta bort skräp och rengör varje del. ◆ Sätt tillbaka varje del såsom beskrivs i sektionen "Borttagning och installation av kniv".  Om gräsklipparens fortfarande vibrerar lämnar du in gräsklipparen hos en auktoriserad Black & Decker-verkstad.
Batteriladdarens LED lyser inte.	Kontrollera kontaktanslutningen.  Byte av laddare.
Gräsklipparen tar inte upp klipprester.	Utkastarrännan har täppts igen. Stäng av gräsklipparen genom att släppa upp säkerhetsbygeln. Koppla ifrån gräsklipparen. Rensa bort klipprester från utkastarrännan.  Höj hjulen för att minska längden på gräset som klipps.  Behållaren är full. Töm behållaren oftare.

Problem	Möjlig lösning
Gräsklipparen körs inte när säkerhetsbygeln är aktiverad.	Se till att gräsklipparen är korrekt ansluten och att knappen på omkopplingsboxen är helt intryckt innan säkerhetsbygelns trycks in.  Stäng av gräsklipparen genom att släppa upp säkerhetsbygeln. Ta ur säkerhetsnyckeln och batteripaketet, stäng av gräsklipparen och kontrollera att kniven har fritt svängrum.  Kontrollera att batteriet är fritt från skräp och att det är korrekt anslutet.  Är batteriet fulladdat? Tryck på laddningsknappen.
Motorn stannar under klippning.	Stäng av gräsklipparen genom att släppa upp säkerhetsbygeln. Ta ur säkerhetsnyckeln och batteripaketet, stäng av gräsklipparen och kontrollera att kniven har fritt svängrum.  Höj hjulen till den högsta klipphöjden och starta gräsklipparen.  Kontrollera att batteriet är fritt från skräp och att det är korrekt anslutet.  Är batteriet fulladdat? Tryck på laddningsknappen.  Undvik att överbelasta gräsklipparen. Sänk klipp hastigheten eller öka klipphöjden.
Gräsklipparen kör men klipprestand är otillfredsställande.	Stäng av gräsklipparen genom att släppa upp säkerhetsbygeln. Koppla ifrån gräsklipparen. Vänd på gräsklipparen och kontrollera följande: ◆ Kniven ska vara vass. ◆ Undersidan och utkastarrännan är fria från gräsrester.  Hjulinställningen kan vara för låg för gräsförhållandena. Öka klipphöjden.

## Skydda miljön



Separat insamling. Produkter och batterier som är markerade med denna symbol får inte kastas in de vanliga hushållsoporna.

Produkterna och batterierna innehåller material som kan återvinnas eller återanvändas, vilket sänker behovet av råmaterial. Återvinn elektriska produkter och batterier enligt lokala bestämmelser. Närmare information finns tillgänglig på [www.2helpU.com](http://www.2helpU.com)

## Tekniska data

		CLM5448PC	CLM5448PCB
Spänning	V <sub>dc</sub>	54V	54V
Obelastad hastighet	min <sup>-1</sup>	0 - 2900	0 - 2900
Vikt	kg	26.62	24.15
Knivlängd	mm	48	48
Batteri		BL2554	Obelastad enhet. (Inget batteri medföljer)
Spänning	V <sub>dc</sub>	54/18v DUALVOLT	

		CLM5448PC	CLM5448PCB
Kapacitet	Ah	2.5	
Typ		LI-jon	
Laddare		BDC2A	Obelastad enhet. (Ingen laddare medföljer)
Inspänning	V <sub>AC</sub>	220 - 240	
Utgångsströmmen	mA	2000mA	
Laddningstid cirka	h	3.75	

Vibrationspåverkan på hand/arm:  
= 4,4m/s<sup>2</sup>, osäkerhet (K) = 1,5m/s<sup>2</sup>.

L<sub>max</sub> (ljudtryck) 83 dB(A)  
osäkerhet (K) = 2,5 dB(A)

### EG Försäkran om överensstämmelse MASKINDIREKTIVET BULLERFÖRESKRIFTER, UTMOMHUS



CLM5448PC, CLM5448PCB gräsklippare

Black & Decker garanterar att produkterna som beskrivs under  
"tekniska data" uppfyller:  
2006/42/EG, EN 60335-1:2012 +A11:2014,  
EN 60335-2-77:2010

2000/14/EG, Gräsklippare, L < 50 cm, Annex VI,  
DEKRA Certification B.V., Utrechtseweg 310, ED Arnhem  
Nederländernas anmälda organ, id-nr: 0344

Den akustiska effekten enligt 2000/14/EG (Artikel 12, Annex  
III, L ≤ 50cm):

L<sub>max</sub> (uppmätt ljudeffekt) 89,5 dB(A)  
osäkerhet (K) = 1,2 dB(A)

L<sub>max</sub> (garanterad ljudnivå) 96 dB(A)

De här produkterna överensstämmer även med direktiven  
2014/30/EU och 2011/65/EU. För ytterligare information,  
kontakta Black & Decker på följande adress eller se baksidan  
av manualen.

Undertecknad är ansvarig för sammanställningen av tekniska  
data och gör denna försäkran för Black & Decker.

R. Laverick  
Director of Engineering  
Black & Decker Europe, 210 Bath Road, Slough,  
Berkshire, SL1 3YD  
Storbritannien  
2016-08-26

### Garanti

Black & Decker är säker på kvaliteten hos denna produkt och  
erbjuder kunder 24 månaders garanti från inköpsdatumet.  
Denna garanti 75 gäller utöver konsumentens rättigheter enligt  
lag och påverkar inte dessa. Garantin är giltig i de områden  
som tillhör medlemsstaterna i Europeiska unionen och det  
europeiska frihandelsområdet.

För yrkande under garantin måste yrkandet vara in enlighet  
med Black&Deckers villkor och du kommer att behöva skicka  
in bevis på köpet till försäljaren eller en auktoriserad reparatör.  
Villkoren för Black&Deckers tvååriga garanti och var du  
hittar din närmaste auktoriserade reparatör kan erhållas på  
internet på [www.2helpU.com](http://www.2helpU.com), eller genom att kontakta ditt  
lokal Black & Decker kontor på adressen som angetts i denna  
bruksanvisning.

Besök vår webbplats [www.blackanddecker.se](http://www.blackanddecker.se) för att registrera  
din nya Black & Decker-produkt samt för att få information om  
nya produkter och specialerbjudanden.

**Tiltenkt bruk**

Dine BLACK+DECKER CLM5448PC- og CLM5448PCB-gressklippere har blitt designet til å klippe gress. Disse apparatene er bare beregnet for privat bruk.

**Sikkerhetsinstruksjoner**

**Advarsel!** Når du bruker batteridrevne apparater, må du alltid ta grunnleggende forholdsregler når det gjelder sikkerhet, blant annet dem som er beskrevet nedenfor, for å redusere risikoen for brann, elektrisk støt, personskade og materiell skade.

**Advarsel!** Når du bruker maskinen, må du følge sikkerhetsreglene.

Les disse instruksjonene før du bruker maskinen, for å ivareta sikkerheten for deg selv og personer i nærheten. Ta vare på instruksjonene for senere bruk.

- ◆ Les hele denne bruksanvisningen nøye før du bruker apparatet.
- ◆ Beregnet bruk er beskrevet i denne bruksanvisningen. Hvis du bruker annet tilbehør, kobler til annet utstyr eller bruker dette apparatet til andre oppgaver enn det som er anbefalt i denne håndboken, kan det føre til fare for personskade.
- ◆ Ta vare på denne bruksanvisningen for fremtidig bruk.

**Bruke produktet**

Vær alltid forsiktig når du bruker apparatet.

- ◆ Det er ikke meningen at dette apparatet skal brukes av unge eller svekkede personer uten tilsyn.
- ◆ Apparatet skal ikke brukes som leketøy.

- ◆ Pass på at barn og dyr ikke kommer i nærheten av arbeidsområdet, og at de ikke berører apparatet eller strømledningen.
- ◆ Pass ekstra godt på når apparatet brukes i nærheten av barn.
- ◆ Skal bare brukes på tørre steder. Ikke la apparatet bli vått.
- ◆ Ikke senk produktet ned i vann.
- ◆ Ikke åpne apparathuset.  
Verktøyet inneholder ingen deler som kan vedlikeholdes av brukeren.
- ◆ Ikke bruk apparatet i omgivelser med eksplosjonsfare, for eksempel på steder der det finnes brennbare væsker, gasser eller støv.
- ◆ Dra aldri i kablet når du skal ta støpselet ut av stikkontakten. Dermed reduserer du risikoen for skade på støpsel og kabel.
- ◆ Før bruk må du alltid se etter at bladene, bladskruene og bladenheten ikke er slitt eller skadet.  
Bytt ut slitte eller skadde blader og bolter i sett for å opprettholde balansen.
- ◆ Unngå fare fra uaktsom tilbakestilling av termisk sikring ved å ikke forsyne apparatet gjennom et eksternt koblingssapparat, slik som en avbryter, eller ikke bli tilkoblet en strømkrets som redskapet regelmessig slår på og av.
- ◆ Ikke bruk maskinen hvis det er personer, spesielt barn, eller dyr i nærheten.
- ◆ Husk at operatøren eller brukeren vil bli gjort ansvarlig for ulykker eller farer andre personer eller deres eiendom blir utsatt for.

## Før bruk

- ◆ Bruk alltid kraftig fottøy og lange bukser mens du bruker maskinen. Ikke bruk maskinen når du er barbert, eller bruker åpne sandaler. Unngå klær som sitter løst, eller har snorer eller bånd som henger.
- ◆ Kontroller nøye området der maskinen skal brukes, og fjern alle gjenstander som maskinen kan kaste.
- ◆ Før bruk må du alltid se etter at bladet, bladskruen og bladenheten ikke er slitt eller skadet. Bytt ut slitte eller skadde komponenter i sett for å opprettholde balansen. Erstatt skadet eller uleselig merking.

## Etter bruk

- ◆ Når apparatet ikke er i bruk, skal det oppbevares på et tørt og godt ventilert sted og utilgjengelig for barn.
- ◆ Barn skal ikke ha tilgang til apparater som oppbevares.
- ◆ Når apparatet oppbevares eller transporteres i et kjøretøy, bør det plasseres i bagasjerommet eller festes, slik at det ikke påvirkes av raske farts- eller retningsendringer.

## Kontroll og reparasjon

- ◆ Kontroller at produktet ikke er skadet eller har defekte deler før du bruker det. Undersøk om brytere eller andre deler er skadet, eller om det er andre forhold som kan påvirke bruken.
- ◆ Ikke bruk verktøyet hvis noen del er skadet eller defekt.

- ◆ Overlat reparasjon eller utskifting av skadde eller defekte deler til et autorisert serviceverksted.
- ◆ Forsøk aldri å fjerne eller bytte ut andre deler enn delene som er oppgitt i denne bruksanvisningen.
- ◆ Vær forsiktig når du justerer gressklipperen, slik at du ikke klemmer fingrene mellom bevegelige blader/deler og faste deler på maskinen.
- ◆ Når du arbeider med bladene, må du være klar over at selv om strømmen er av, kan bladene fremdeles bevege seg.

## Ekstra sikkerhetsinstruksjoner for gressklippere

- ◆ Ikke transporter maskinen mens strømkilden er aktiv.
- ◆ Hold godt fast i håndtaket med begge hender når du bruker gressklipperen.
- ◆ Hvis det på noe tidspunkt er nødvendig å vippe gressklipperen til én side, sørg for at begge hender forblir i denne betjeningsposisjonen mens gressklipperen vippes. Hold begge hender i betjeningsposisjonen helt til gressklipperen er satt riktig tilbake på bakken igjen.
- ◆ Du må aldri bruke hodetelefoner for radio eller musikk når du bruker gressklipperen.
- ◆ Forsøk aldri å justere høyden på hjulene mens motoren går, eller mens sikkerhetsnøkkelen er i bryterhuset.



- ◆ Hvis gressklipperen kjører seg fast, slipper du sikkerhetshåndtaket for å slå gressklipperen av, venter til bladet har stoppet før du prøver å fjerne tilstoppingen av utmatningen eller fjerner noe under dekselet.
- ◆ Hold hendene og føttene borte fra skjæreområdet.
- ◆ Hold bladene skarpe. Bruk alltid vernehansker når du håndterer bladet på gressklipperen.
- ◆ Hvis du bruker gressoppsamleren, må du jevnlig kontrollere om den er slitt eller skadet. Hvis den er svært slitt, må du bytte den ut med en ny gressoppsamler for din egen sikkerhets skyld.
- ◆ Vær svært forsiktig når du kjører gressklipperen bakover eller trekker den mot deg.
- ◆ Ikke ha hendene eller føttene i nærheten av eller under gressklipperen. Hold deg alltid unna utmatingsåpningen.
- ◆ Rydd området der gressklipperen skal brukes, for gjenstander som steiner, pinner, tråder, leker, bein osv. som bladet kan kaste.  
Gjenstander som treffes av bladet, kan påføre personer alvorlige skader. Hold deg bak håndtaket når motoren er i gang.
- ◆ Ikke bruk gressklipperen barbert eller når du har på sandaler. Bruk alltid solid fottøy.
- ◆ Ikke trekk gressklipperen bakover med mindre det er absolutt nødvendig. Se alltid nedover og bak før og mens du beveger deg bakover.
- ◆ Du må aldri rette materiale som kastes ut, mot noen. Unngå at materiale blir kastet ut mot en vegg eller hindring. Materiale kan bli kastet tilbake mot brukeren. Slipp sikkerhetshåndtaket for å slå gressklipperen av og stoppe bladet når du krysser gruslagte flater.
- ◆ Ikke bruk gressklipperen med mindre hele gressoppsamleren, utmatingsvernet, det bakre vernet eller annet sikkerhetsutstyr er på plass og fungerer. Kontroller alle verneinnretninger og alt sikkerhetsutstyr regelmessig for å sikre at dette er i god stand, fungerer riktig og utfører den funksjonen det er beregnet for.  
Hvis et vern eller annet sikkerhetsutstyr er skadet, bytter du det ut før videre bruk.
- ◆ Du må aldri la en gressklipper være uten tilsyn når den går.
- ◆ Slipp alltid sikkerhetshåndtaket for å stoppe motoren, vent til bladet stopper helt før du rengjør gressklipperen, tar av gressoppsamleren eller fjerner tilstopping ved utmatingsvernet, når du forlater gressklipperen, eller før du utfører noen justeringer, reparasjoner eller kontroller.
- ◆ Bruk gressklipperen bare i dagslys eller godt kunstig lys når gjenstander i banen til bladet er godt synlige fra betjeningsområdet for gressklipperen.
- ◆ Ikke bruk gressklipperen dersom du er påvirket av alkohol eller rusmidler, eller dersom du er trøtt eller syk. Vær alltid oppmerksom, se hva du gjør og bruk sunn fornuft.

- ◆ Unngå farlige omgivelser. Du må aldri bruke gressklipperen i fuktig eller vått gress, og aldri når det regner. Pass på at du alltid har godt fotfeste. Gå, aldri løp.
- ◆ Hvis gressklipperen begynner å vibrere unormalt, slipper du sikkerhetshåndtaket og venter til bladet stopper. Undersøk deretter straks årsaken. Unormal vibrasjon er vanligvis en advarsel om at noe er galt. Du kan se etter råd i problemløsningsveiledningen i slike tilfeller.
- ◆ Bruk alltid tilfredsstillende øye- og åndedrettsbeskyttelse når du bruker gressklipperen.
- ◆ Det kan være farlig å bruke tilbehør eller tilkoblet utstyr som ikke er anbefalt for bruk sammen med denne gressklipperen. Bruk bare tilbehør som er godkjent av BLACK+DECKER.
- ◆ Du må aldri strekke deg for langt når du bruker gressklipperen. Pass på at du alltid har sikkert fotfeste og god balanse mens du bruker gressklipperen.
- ◆ Slå gress på tvers av skråninger, aldri opp og ned. Vær svært forsiktig når du endrer retning i skråninger.
- ◆ Se opp for hull, spor, humper, steiner eller andre skjulte ting. Ujevnt terreng kan føre til uhell der man sklir og faller. Høyt gress kan skjule hindringer.
- ◆ Ikke bruk gressklipperen på vått gress eller i svært bratte skråninger. Dårlig fotfeste kan føre til uhell der man sklir og faller.
- ◆ Ikke bruk gressklipperen i nærheten av skrenter, grøfter eller fyllinger.

Du kan miste fotfestet eller balansen.

- ◆ La alltid gressklipperen bli avkjølt før den settes til oppbevaring.
- Dra ut støpselet fra stikkontakten og dra batteripakken ut av maskinen. Sørg for at alle bevegelige deler står fullstendig i ro:
- ◆ Når du forlater maskinen;
  - ◆ Før du fjerner en tilstopping;
  - ◆ Før du kontrollerer, rengjør eller arbeider på apparatet.

## Andre personers sikkerhet

- ◆ Dette apparatet er ikke ment for bruk av personer (inkludert barn) med redusert fysiske, sensoriske eller mentale evner, eller mangel på erfaring og kunnskap, med mindre de får tilsyn eller har blitt opplært i bruk av apparatet av en person ansvarlig for deres sikkerhet.
- ◆ Barn må ha tilsyn så man sikrer at de ikke leker med verktøyet.
- ◆ Etter at du har truffet en fremmed gjenstand. Inspiserer apparatet for skade og utfør reparasjoner hvis nødvendig;

## Andre risikoer.

Når verktøyet brukes, kan det oppstå ytterligere risikoer som kanskje ikke er beskrevet i de medfølgende sikkerhetsadvarslene. Disse risikoene kan bli forårsaket av feil bruk, langvarig bruk osv. Selv om de relevante sikkerhetsbestemmelsene blir fulgt, og sikkerhetstiltakene blir gjennomført, kan visse gjenværende risikoer ikke unngås. Disse inkluderer:

- ◆ Personskader som forårsakes av berøring av en roterende/bevegelig del.
- ◆ Personskader som oppstår ved skifte av deler, blader eller tilbehør.
- ◆ Personskader som skyldes for lang tids bruk av verktøyet. Når du bruker et verktøy i lange perioder, må du sørge for å ta regelmessige pauser.
- ◆ Hørselskader.
- ◆ Helsefarer forårsaket av innånding av støv som utvikler seg når du bruker verktøyet (eksempel: arbeid med tre, spesielt eik, bøk og MDF.)
- ◆ Hvis bruk av gressklipperen i fuktige omgivelser er uunngåelig, må du bruke en jordfeilbryter (RCD) med utløsningsstrøm på maksimalt 30 mA. Bruk av jordfeilbryter (RCD) reduserer risikoen for elektrisk sjokk.
- ◆ Aldri plukk opp eller bær et apparat mens motoren er i gang.

## Advarselssymboler

Følgende advarselssymboler vises på verktøyet sammen med datokoden:



Advarsel! Les håndboken før bruk.



Se opp for skarpe blader. Bladene fortsetter å rotere etter at motoren er slått av – Fjern deaktiveringsenheten før vedlikehold eller hvis ledningen er skadet.



Se opp for gjenstander som kastes rundt. Hold personer i nærheten borte fra klippeområdet.



Bruk vernebriller



Bladene vil fortsette å rotere etter at maskinen er slått av.



Garantert lydeffekt i henhold til direktiv 2000/14/EF.

## Ytterligere sikkerhetsinstruksjoner for batterier og ladere

### Batterier

- ◆ Forsøk aldri å åpne av noen årsak.
- ◆ Ikke utsett batteriene for vann.
- ◆ Ikke utsett batteriet for varme.
- ◆ Ikke oppbevar det på steder hvor temperaturen kan komme over 40 °C.
- ◆ Lad bare ved temperaturer mellom 10 og 40 °C.
- ◆ Bruk bare ladere av typen som følger med maskinen/apparatet. Hvis du bruker feil lader, kan dette føre til et elektrisk støt eller at batteriet overopphetes.
- ◆ Når du skal kaste batterier, må du følge instruksene som finnes i avsnittet «Miljøvern».
- ◆ Ikke skad eller deformer batteripakken ved punktering eller støt, da dette kan føre til risiko for personskade og brann.
- ◆ Du må ikke lade skadede batterier.

- ◆ Under ekstreme forhold kan batterilekkasje forekomme. Hvis du oppdager væske på batteriene, må du tørke den forsiktig av med en klut. Unngå hudkontakt.
- ◆ Hvis væsken kommer i kontakt med huden eller øynene, skal du følge instruksjonene nedenfor.

**Advarsel!** Batterivæsken kan føre til personskade eller skade på eiendom. Ved hudkontakt skyller du umiddelbart med vann.

Hvis huden blir rød eller irritert eller smerter inntreffer, søk øyeblikkelig medisinsk hjelp. Hvis væsken kommer i kontakt med øynene, skyller du umiddelbart med rent vann og søker øyeblikkelig medisinsk hjelp.



Ikke forsøk å lade opp skadede batterier.

## Lader

Laderen er konstruert for en bestemt spenning.

Kontroller alltid at nettspenningen er i overensstemmelse med spenningen på typeskiltet.

**Advarsel!** Ikke skift ut laderen med et vanlig nettstøpsel.

- ◆ Black & Decker-laderen skal bare brukes til å lade batteriet i produktet/verktøyet som det ble levert med. Andre batterier kan sprekke og føre til personskade og materiell skade.
- ◆ Prøv aldri å lade ikke-oppladbare batterier.

- ◆ Hvis strømledningen blir skadet, må den byttes av produsenten eller et autorisert Black & Decker-servicesenter for å unngå fare.
- ◆ Ikke utsett laderen for vann.
- ◆ Ikke åpne laderen.
- ◆ Ikke stikk gjenstander eller fingre inn i laderen.
- ◆ Apparatet, verktøyet eller batteriet må plasseres på et sted med god gjenomlufting under lading.



Laderen er bare beregnet for innendørs bruk.



Les denne håndboken før bruk.

**Viktig:** Kun følgende ladere skal brukes for å lade 54 V batteri BL1554 & BL2554: 90589867, 90621477, 90590287-01, 90590289-01, 90602042-01, 90590287-02, 90590289-02, 90599854-02, 90599854-06, 90599853-05, 90634971, 90634972, 90634973, 90642266, 90642264, 90642265, BDC2A

## Elektrisk sikkerhet



Laderen din er dobbelt isolert; derfor er det ikke nødvendig med en jordet kabel.

Kontroller alltid at nettspenningen er i overensstemmelse med spenningen på typeskiltet. Ikke skift ut laderen med et vanlig nettstøpsel.

- ◆ Dersom strømledningen er skadet, skal den skiftes ut av produsenten eller et autorisert Black & Decker-servicesenter for å unngå fare.

## Funksjoner

Dette apparatet har noen av eller alle funksjonene nedenfor.

1. Koblingsboks
2. Sikkerhetshåndtak
3. Håndtak, øvre del
4. Håndtak, nedre del
5. Festespaker på øvre del av håndtaket (2)
6. Festespaker på nedre del av håndtaket (2)
7. Justeringsspake for klippehøyde
8. Gressoppsamler
9. Deksel bakdør
10. Instrumentbord
11. POWERCOMMAND Batteribryter
12. Batteriomdeksel
13. Bærehåndtak
14. EdgeMax™

## Ladeprosedyre

BLACK+DECKER-ladere er designet for å lade

BLACK+DECKER-batteripakker.

- ◆ Plugg laderen inn i et passende støpsel før du setter inn batteripakken.
- ◆ Sett batteripakken inn i laderen.



Det grønne LED-lyset blinker for å varsle om at batteriet lades



Fullført lading vises ved at den grønne LED-en er på. Pakken er da fullt oppladet og kan brukes, eller den kan bli stående i laderen

**Advarsel!** Lad opp utladete batterier så fort som mulig etter bruk, ellers vil batteriets levetid forringes.

## Laderdiagnose

Denne laderen er designet for å oppdage visse problemer som kan oppstå med batteripakken eller strømkilden. Problemer indikeres av et LED-lys som blinker i ulike mønstre.

## Dårlig batteri



Laderen kan oppdage et svakt eller ødelagt batteri.

Det røde LED-lyset blinker i mønsteret som er indikert på merkelappen. Hvis du ser dette blinkemønsteret for dårlig batteri, skal du ikke fortsette å lade batteriet.

Returner det til et servicesenter eller et oppsamlingssted for resirkulering.

## Varm/kald pakkeforsinkelse



Dersom laderen detekterer et batteri som er for varmt eller for kaldt, vil den automatisk starte en

varm/kald pakkeforsinkelse, og venter med å lade til batteriet har passende temperatur.

Etter dette skjer, vil laderen automatisk bytte over til pakke-lademodus. Denne funksjonen sikrer maksimal levetid på batteriet. Det røde LED-lyset blinker i mønsteret indikert på merkelappen når varm/kald pakkeforsinkelse er oppdaget.

## Viktige merknader om lading

- ◆ Lang levetid og best ytelse oppnås dersom batteripakken lades med lufttemperatur mellom 60 °F og 80 °F (16°–27 °C).
- ◆ IKKE lad batteripakken med lufttemperatur under +40 °F (+4,5 °C) eller over +105 °F (+40,5 °C). Dette er viktig og vil forhindre alvorlig skade på batteripakken.
- ◆ Laderen og batteripakken kan være varme å ta på under lading. Dette er normalt og er ikke et tegn på et problem. For å muliggjøre bedre kjøling av batteripakken etter bruk, unngå å oppbevare laderen i varme omgivelser slik som et metallskur eller en uisolert trailer.
- ◆ Hvis batteripakken ikke lader skikkelig:
  - ◆ Kontroller strømmen i kontakten ved å sette inn en lampe eller et annet apparat
  - ◆ Kontroller at stikkkontakten er koblet til en lysbryter som slår av strømmen når du slår av lyset.
  - ◆ Flytt laderen og batteripakken til et sted hvor omgivelsestemperaturen er omtrent 60 °F–80 °F (16°–27 °C).
  - ◆ Hvis ladeproblemene vedvarer, ta verktøyet, batteripakken og laderen til ditt lokale servicesenter.
- ◆ Denne batteripakken med lang levetid må lades opp når den slutter å gi nok strøm til jobber som ble utført litt tidligere. I så fall, IKKE fortsatt å bruke verktøyet. Følg ladeprosedyren. Du kan også lade opp en halvutladet pakke når som helst uten at det har noen effekt på batteripakken.
- ◆ Fremmedlegemer som kan lede strøm, inkludert ,men ikke begrenset til stålull, aluminiumsfolie eller annen ansamling av metalliske partikler, må holdes unna åpningene i laderen. Kople alltid laderen fra strømtilførselen når det ikke er en batteripakke i hulrommet. Kople fra laderen før rengjøring.
- ◆ IKKE sprut på eller senke ned i vann eller andre væsker.

**Advarsel!** Ikke la væske komme inn i laderen.

**FORSØK ALDRI Å ÅPNE BATTERIPAKKEN AV NOEN ÅRSÅK. DERSOM PLASTHUSET PÅ BATTERIPAKKEN KNEKKER ELLER FÅR SPREKKER, SEND DEN TIL ET SERVICESENTER FOR AVHENDING.**

## Batteri med indikator for ladestatus

Batteriet er utstyrt med en indikator for ladestatus. Denne kan brukes til å vise batteriets ladenivå under bruk og under lading. Den gir ingen indikasjon på om verktøyet fortsatt kan brukes, og kan variere med produktkomponentene, temperatur og brukerens bruksområde.

## Sjekk av ladestatus:

- ◆ Trykk på ladeindikatorknappen (A1).
- ◆ De tre LED-ene (A2) vil lyse opp og indikere ladeprosenten på batteriet. Se tabell i figur A.
- ◆ Hvis LED-lyset ikke lyser skal du lade batteriet.

## Montering og fjerning av batteripakker

**Advarsel!** Pass på at sikkerhetsnøkkelen er fjernet for å forhindre Aktivering før fjerning eller installasjon av batteri.

### Installere batteripakker:

- ◆ Løft dekselet på batterirommet (12) for å åpne batterirommet (15).
- ◆ Skyv batteriet (16) inn i batterirommet til det sitter godt og du hører et klikk (figur B).  
Pass på at batteripakken sitter godt og er låst på plass. Gjenta prosessen for det andre batterirommet.
- ◆ Steng dekselet på batterirommet. Forsikre deg om at dekselet er helt igjen før du starter gressklipperen.

### Ta ut batteripakken:

- ◆ Åpne batteridekselet (12) som beskrevet ovenfor.
- ◆ Trykk på batteriets låseknap (16a) på batteripakken og dra batteripakken ut av verktøyet som vist på figur C.

## Valg av batteripakke for POWERCOMMAND

**Advarsel!** Pass på at sikkerhetsnøkkelen er fjernet for å forhindre aktivering før valg av aktivt batteri.

Gressklipperen er utstyrt med en batterivalgsknapp for POWERCOMMAND (11). Dette blir brukt for å utvide kjøretiden.

Trykk på batterivalgsknappen (figur D) til venstre eller høyre.

- ◆ Siden merket med «1» aktiverer venstre side av batterirommet.
- ◆ Siden merket med «2» aktiverer høyre side av batterirommet.

**Merk:** Gressklipperen kan brukes med en enkel batteripakke hvis bryteren står i riktig posisjon.

## Aktivt batteri, indikatorer for ladestatus

**Merk:** Ladestatus blir bare indikert når en batteripakke blir innsatt, når gressklipperen er på, eller når et enkelt batteri er inni, og bryteren er slått på for å la det drive gressklipperen. Denne gressklipperen er utstyrt med en indikator for ladestatus på bunnen av instrumentbordet (10). Den blir brukt til å vise det aktive batterirommet og det gjeldende strømnivået for det aktive batteriet. Når en batteripakke er installert i batterirommene, vil tre LED-lys for ladenivå lyse opp i tre sekunder, og vise det gjeldende ladenivået for batteriet før de slukkes. Ladenivået for det valgte, aktive batteriet vises mens gressklipperen er i bruk.

- ◆ Når gressklipperen først blir aktivert, vil alle LED-indikatorlys på instrumentbordet (10) midlertidig lyse opp.

- ◆ LED-lysene på instrumentbordet vil slå seg av for den inaktive batterisiden.
- ◆ LED-ene på instrumentbordet for den aktive batterisiden LED (17) vil forbli opplyst, og tre indikator-LED-lys (18) for ladenivå vil indikere ladeprosenten på batteriet. (Se tabell i figur A.)
- ◆ Hvis ingen LED-lys lyser opp for det aktive batteriet, slå batterivalgsknappen (11) over til det inaktive batteriet. Hvis ingen av batteri-LED-lysene lyser opp, bytt batterier.

**Merk:** Sikkerhetsnøkkelen må være innsatt for at alle LED-lysene og bryterfunksjonene skal fungere som beskrevet.

## DUALVOLT 54V-batteripakke (Fig C1.)

Duavolt 54V-batteripakken kan brukes på batteridrevne 54V & 18V Black+Decker-verktøy. Batteriet kan kjenne igjen verktøyet det blir satt inn i, og vil bruke en relevant effekt som gir mer kjøretid for 18V-verktøy. Det er en ladestatusknapp (16b) som indikerer ladenivået for både 54V og 18V.

## Montering

**Advarsel!** Før monteringen må du passe på at sikkerhetsshåndtaket er utløst og at sikkerhetsnøkkelen er tatt ut.

### Montering av nedre håndtak

- ◆ Løft nedre håndtak (4) på plass, pass på at pilen (19) nede på gressklipperen er innrettet mot 1, 2 eller S nederst på håndtaket (20) (innfelt i figur F)

**Merk!** Pass på at begge sidene av det nedre håndtaket er stilt inn på samme nummer. Pilen må peke mot 1 eller 2 før bruk.

- ◆ Lukk justeringsspakene (6) for håndtakshøyden som vist i figur F. Når du lukker dem, pass på at tennene går i lås som vist i figur G.
- ◆ Dersom koblingen mellom håndtak og spak er for stram eller for løs, åpne spaken og juster dybden av spaken ved å dreie spaken. Lukk den igjen, gjenta til tennene er i lås og begge spakene holder seg trygt på plass.

### Sette på øvre håndtak (figur H)

Det øvre håndtaket har tre forskjellige monteringshull (21) for justering av håndtaket fra undersiden. De første hullene ved bunnen av det øvre håndtaksrøret gir maksimal håndtakslengde. Du kan redusere håndtakslengden ved å bruke monteringsposisjonene i midten og øverst

- ◆ Ta av festespakene (5) på øvre håndtak, mutterne (22) og skivene (23) fra håndtaket.
- ◆ Rett inn hullene nederst på øvre håndtak (3) med hullene på toppen av nedre håndtak (4).

**Merk:** Pass på at ledningen ligger foran begge håndtak som vist i figur I. Hvis ikke kan det føre til at ledningen floker seg, og reduserer evnen til enkelt oppbevare gressklipperen.

- ◆ Fra utsiden av øvre håndtak (3), skyv spake-bolten gjennom hullene.

- ◆ Skyv skiven inn på spake-bolten og trekk løst til hele modulen ved hjelp av mutteren.
- ◆ Vri øvre håndtak til ønsket stilling.
- ◆ Lukk spaken. Dersom den er for stram eller for løs, åpne spaken og juster mutteren for å endre strammingen. Kontroller spakene ved å lukke dem. De skal være stram nok til at håndtakene holdes godt på plass, men løs nok til at spakene kan lukkes helt. Juster ved å åpne spaken og vri på mutteren til spakene sitter godt.

### Sikre motorkabelen (fig. I)

**Advarsel!** Fest kabelen slik at den ikke kommer i strekk eller klemmes i håndtakseleddene under bruk eller ved sammenfoldning. Det kan skade strømkabelen.

Motorkabelen skal festes til håndtakene ved hjelp av kabelfestene som allerede er montert på håndtaket.

For å feste kabelen til håndtaket:

- ◆ Sett håndtakene i bruksposisjon, se avsnittet «Sette på nedre håndtak».
- ◆ Før kabelen opp langs fronten av nedre og øvre håndtak.
- ◆ Trekk tilbake kabelfestet.
- ◆ Skyv motorkabelen under klipsset og pass på at den holdes på plass av festet.

### Opsamling i pose

**Advarsel!** Fjern nøkkel og batteripakker før du fjerner sideutkasteren og bioklippenheten, og når du åpner dekselet til bakdøren og installerer posen.

- ◆ Pass på at sideutkasteren (26) (figur M) og bioklippenheten (27) (figur L) er tatt av gressklipperen før bruk av pose.
- ◆ Løft dekselet (9) på bakdøren og sett gressoppsamleren (8) på gressklipperen slik at krokene på posen (28) hviler på knastene (29) som vist på figur K. Lukk igjen dekselet på bakdøren.

### Bioklipping

**Advarsel!** Fjern nøkkel og batteripakker før du fjerner sideutkasteren og gressoppsamleren, og når du installerer bioklippenheten.

- ◆ Pass på at sideutkasteren (26) gressoppsamleren (8) ikke er satt på.
- ◆ Løft dekselet på bakdøren (9) og skyv bioklippenheten (27) helt inn i gressklipperen som vist på figur L.
- ◆ Pass på at dekselet på bakdøren lukker helt før du slår på gressklipperen.

### Sideutkast

**Advarsel!** Fjern nøkkel og batteripakker før du fjerner gressoppsamleren, og når du installerer bioklippenheten og sideutkasteren.

- ◆ Pass på å ta av gressoppsamleren (8).
- ◆ Løft bakdekslet (9) og skyv bioklippenheten (27) helt inn i gressklipperen som vist på figur L.
- ◆ Løft sideklaffen (30) og fest sideutkasteren (26) på gressklipperen som vist på figur M.
- ◆ Løsen sideklaffen og pass på at utkasteren holdes på plass før du slår på gressklipperen som vist innfelt på figur M.

### Bruk

Les denne bruksanvisningen før du bruker gressklipperen.

Se «egenskaper» for å bli kjent med hvor ulike kontroller og justeringer er plassert. Ta vare på denne bruksanvisning for fremtidig bruk.

**Advarsel!** La gressklipperen arbeide i sin egen hastighet. Må ikke overbelastes.

**Advarsel!** Skarpt blad i bevegelse. Ikke bruk gressklipperen i sideutkaster- eller bioklippenhetsmodus hvis ikke bakdøren er lukket med fjærspenning. Dette kan føre til alvorlig personskade. Ta med gressklipperen til nærmeste servicesenter hvis du må reparere den.

### Justere håndtakshøyden (fig. N)

- ◆ Åpne begge festespakene (6) på nedre håndtak.
- ◆ Løft nedre håndtak slik at at pilen (19) nede på gressklipperen er innrettet mot 1 eller 2 nederst på håndtaket (20). Pass på at håndtaket er likt innstilt på begge sider av gressklipperen.
- ◆ Lukk begge spakene og pass på at håndtaket er godt festet, og at tennene er festet som vist i innlegget.

### Justere klippehøyde (fig. O)

Du justerer klippehøyden med den sentrale høydejusteringsmekanismen, og du kan velge mellom 7 posisjoner.

**Merk:** Dersom du ikke er sikker på hvor mye gresset skal klippes, start med høydejusteringsspaken (7) i posisjon 7 og still ned høyden om det trengs, som vist på figur O.

Stille inn klippehøyden:

- ◆ Trekk gressklipperens høydejusteringsspake (7) ut av låsesporett (31).
- ◆ Beveg håndtaket mot baksiden av maskinen for å øke klippehøyden.
- ◆ Beveg håndtaket mot forsiden av maskinen for å redusere klippehøyden.
- ◆ Skyv høydejusteringshåndtaket inn i ett av de syv låsesporene.

### Sikkerhetsnøkkel

For å hindre utilsiktet start eller uautorisert bruk av gressklipperen, er det integrert en avtagbar sikkerhetsnøkkel (32) i gressklipperen. Gressklipperen er helt deaktivert når sikkerhetsnøkkelen er tatt ut.

**Merk:** Det er et hull i nøkkelen for å henge den på en spiker utenfor rekkevidde av barn. Ikke bind fast sikkerhetsnøkkelen til gressklipperen.

**Advarsel!** roterende blader kan forårsake alvorlig personskade. Unngå alvorlig personskade ved å fjerne sikkerhetsnøkkelen når gressklipperen ikke er under oppsyn, eller lades, renses, vedlikeholdes, transporteres, løftes eller oppbevares.

## Start gressklipperen

**Advarsel!** Skarpt blad i bevegelse. Du må aldri forsøke å overstyre funksjonen til denne bryterboksen. Dette kan medføre alvorlig personskade.

**Merk:** Gressklipperen kan brukes når batteri og sikkerhetsnøkkel er installert.

- ◆ Sett inn sikkerhetsnøkkelen (32) i bryterhuset (1) til den sitter helt inne i huset slik som vist på figur P. Gressklipperen er nå klar til bruk
- ◆ Denne gressklipperen er utstyrt med en spesiell av-på bryterboks. Sett i gang gressklipperen ved å trykke på bryteren (33) på koblingsboksen (1) og trekke sikkerhetshåndtaket (2) mot håndtaket som vist på figur Q. Når gressklipperen starter, kan du slippe knappen.
- ◆ For å slå av gressklipperen, slipp sikkerhetshåndtaket.

**Advarsel!** Ikke prøv å låse en bryter eller sikkerhetshåndtak (2) i stillingen «på».

**Merk:** Når sikkerhetshåndtaket har vendt tilbake til den opprinnelige posisjonen, vil dette aktivere den automatiske bremsemekanismen. Motoren bremses elektrisk, og bladet på gressklipperen slutter å rotere innen 3 sekunder eller mindre.

## Overbelastning av gressklipper

For å forhindre skade på grunn av overbelastning skal du ikke prøve å fjerne for mye gress om gangen. Senk farten, eller hev klippehøyden.

## EdgeMax™

Med EdgeMax™ (14) kan du klippe gress helt ut til kanten ved en vegg eller et gjerde (fig. R1).

Med EdgeMax™ kan du klippe gress nøyaktig helt ut til kanten av plenen (figur R2).

- ◆ Med gressklipperen parallell med kanten av plenen, skyv gressklipperen langs kanten av plenen. Pass på at EdgeMax™ er litt over kanten av plenen (fig. R2).

**Merk:** Når sideutkasteren er montert, kan EdgeMax™ bare brukes på venstre side av gressklipperen.

## Lagring

**Advarsel!** Det roterende bladet kan føre til alvorlig personskade.

Slipp sikkerhetshåndtaket (2) for å slå gressklipperen av, og ta ut sikkerhetsnøkkelen før du løfter, transporterer eller oppbevarer gressklipperen. Oppbevar den på et tørt sted.

**Advarsel!** For å unngå klemming, hold fingrene unna området mellom håndtakene når du folder ned håndtakene.

**Advarsel!** Pass på at kabelen ikke strekkes eller kommer i klem i håndtaksleddene ved folding. Det kan skade strømkbelen.

Håndtaket på gressklipperen kan enkelt foldes ned for rask og enkel lagring.

- ◆ Hold i håndtaket, åpne – men ikke ta av – festespakene (6) på nedre håndtak og fold håndtaket ned mot fronten av gressklipperen som vist på figur S.
- ◆ Løft nedre håndtak slik at pilen (19) nede på gressklipperen er innrettet mot «S» nederst på håndtaket (20). Pass på at håndtaket er likt innstilt på begge sider av gressklipperen.
- ◆ Lukk begge spakene og sjekk at håndtaket er godt festet.
- ◆ Åpne – men ikke ta av – festespakene (5) på øvre håndtak og fold øvre håndtak (3) tilbake over nedre håndtak (4) som vist på figur T.
- ◆ Gressklipperen skal nå ha kompakt form som vist på figur U.

## Bære gressklipperen

- ◆ Gressklipperen kan bæres med de praktiske bærehåndtakene (13) som vist på figur V. IKKE forsøk å løfte gressklipperen ved hjelp av øvre håndtak (3) eller nedre håndtak (4).

## Klippetips

**Advarsel!** Sjekk alltid området der gressklipperen skal brukes, og fjern alle steiner, pinner, tråd, bein og annet avfall som snøfreseren kan kaste ut.

**Advarsel!** Slå gresset på langs i skråninger, aldri opp og ned. Vær svært forsiktig når du endrer retning i skråninger. Ikke klipp gresset i svært bratte skråninger. Pass på at du alltid opprettholder et godt fotfeste.

- ◆ Slipp sikkerhetshåndtaket for å slå gressklipperen «av» når du krysser områder med grus, ettersom steiner kan bli kastet ut av det roterende bladet.
- ◆ Still gressklipperen inn på den høyeste klippehøyden når du beveger deg på ujevnt underlag eller over høyt ugress. Hvis du slår for store mengder gress samtidig, kan motoren bli overbelastet og gressklipperen stoppe. Se i problemløsningsveiledningen.
- ◆ Hvis du bruker gressoppsamleren (8) i løpet av høysesongen for vekst, kan gresset ha en tendens til å samle seg i utmatingsåpningen. Slipp sikkerhetshåndtaket for å slå gressklipperen av, og ta ut sikkerhetsnøkkelen. Ta ut gressposen, og rist gresset bakover i den. Fjern gress eller avfall som kan ha samlet seg rundt utmatingsåpningen. Skift ut gressoppsamleren.
- ◆ Dersom gressklipperen begynner å vibrere unormalt, slipp sikkerhetshåndtaket for å slå av gressklipperen og ta ut sikkerhetsnøkkelen.



Se straks etter årsaken. Vibrasjoner er vanligvis et varsel om problemer. Ikke bruk gressklipperen før det er blitt utført en servicekontroll.

Se i problemløsningsveiledningen i håndboken.

- ◆ Slipp alltid sikkerhåndtaket for å slå gressklipperen av når den er uten tilsyn, selv om det bare er for en kort periode.

### Råd for optimal ytelse

- ◆ Senk farten på steder der gresset er spesielt langt eller tykt.
- ◆ Unngå å slå gress når det er vått av regn eller dugg.
- ◆ Klipp plenen regelmessig, særlig i perioder når gresset vokser mye.

**Merk:** Det anbefales at gressklipperen lades opp etter bruk, det vil øke levetiden på batteriet.

Hyppig lagring vil ikke skade batteriet, og sikrer at batteriet er oppladet og klart for bruk neste gang. Dersom du oppbevarer batteriet delvis ladet, reduseres levetiden på batteriet.

### Ta av og sette på blad

**Advarsel!** Når du setter på igjen bladsystemet, pass på å sette inn alle delene korrekt som beskrevet under.

Feil montering av bladsystemet kan føre til alvorlige personskader.

**Advarsel!** Slipp sikkerhåndtaket for å slå gressklipperen av, vent til bladet stopper og koble fra gressklipperen.

- ◆ Kapp til et trestykke av 2x4 plank (34) (omtrent 610 mm lang) for å holde bladet fra å rotere når du tar ut bolten (35).
- ◆ Bruk hansker og tilfredsstillende øyebeskyttelse.
- ◆ Legg gressklipperen på siden. Vær forsiktig med de skarpe kantene på bladet. Plasser trestykket og skru ut bolten en 13 mm skrunøkkel (36) som vist i figur W.
- ◆ Merk retningen på hver del du fjerner. Fjern bolt (35) og skiven (37). Trekk av bladet (38) som vist i figur X. Viften (39) skal ikke tas av. Undersøk alle deler for skader og bytt ut hvis det trengs.
- ◆ Bladet kan bare settes på viften i en retning.  
Sett på igjen ved å rette inn det D-formede hullet i bladet med den D-formede knasten på viften. Pass på at skriften på bladet peker bort fra gressklipperen.
- ◆ Stram inn ved å sette trestykket som vist i figur Y for å holde bladet fra rotasjon. Skyv bolten gjennom skiven og stram bolten på plass mot klokken med en 13 mm skrunøkkel (36) som vist på figur Y.

### Slipe bladet

Hold bladet skarpt for å oppnå best mulig resultat. Et sløvt blad klipper ikke gresset rent. Bruk tilfredsstillende øyebeskyttelse når du demonterer, sliper og monterer et blad. Pass på at sikkerhetsnøkkelen og batteripakken er tatt ut.

I normale forhold er det vanligvis tilstrekkelig å slippe bladet to ganger i løpet av en klippeseson.

Sand gjør at bladet blir raskt sløvt. Hvis plenen har sandete jordbunn, kan det være nødvendig å slippe oftere.

**Merk:** Skift straks ut bøyd eller skadde blad.

Når du sliper bladet:

- ◆ Sørg for at bladet holder seg balansert.
- ◆ Slip bladet i den opprinnelige klippevinkelen.
- ◆ Slip klippekantene på begge endene av bladet, og ta vekk like mye materiale på begge ender.

### Slik sliper du blad i en skrustikke (figur V)

- ◆ Pass på at sikkerhåndtaket er løsnet, at bladet har stoppet og at gressklipperen er frakoblet før du tar av bladet.
- ◆ Ta bladet av gressklipperen. Se anvisningene om montering og demontering av bladet.
- ◆ Sikre bladet (38) i en skrustikke (40).
- ◆ Bruk vernebriller og hansker, vær forsiktig så du ikke skjærer deg. Fil forsiktig på bladets egger med en fintannet fil (41) eller et bryne, oppretthold den opprinnelige eggen. Kontroller at bladet er i balanse. Se anvisningene om bladbalansering.
- ◆ Sett bladet på gressklipperen igjen og stram godt.

### Balansering av blad

Du kan kontrollere bladets (38) balanse ved å sette en spiker eller en skrutrekker med rund klinge som er spent fast horisontalt i en skrustikke, gjennom midthullet på bladet. Hvis noen av endene på bladene roterer nedover, fil langs den skarpe kanten på det hengende bladet. Bladet er korrekt balansert når ingen ende svinger ned.

### Smøring

Det er ikke nødvendig med smøring. Du må ikke olje hjulene. De har hullagre med overflater i plast som ikke trenger smøring.

### Rengjøring

Slipp sikkerhåndtaket (2) for å slå av gressklipperen, la bladet stoppe og ta så ut sikkerhetsnøkkelen. Bare bruk mild såpe og en fuktig klut til å rengjøre gressklipperen. Rengjør gressklipperen for avklipp som kan ha samlet seg på undersiden. Etter flere gangers bruk, kontroller at alle utsatte fester er stramme.

### Forhindre rust

Kunstgjødsel og andre hagekjemikalier inneholder stoffer som fører til at metaller rustet fortere. Hvis du klipper i områder hvor det er blitt brukt kunstgjødsel eller kjemikalier, bør gressklipperen straks rengjøres på følgende måte: Slipp sikkerhåndtaket (2) for å slå gressklipperen av, og koble fra gressklipperen.

Tørk alle utsatte deler med en fuktig klut.

## Vedlikehold

BLACK+DECKER-apparatet/-verktøyet med ledning/batteri er laget for å brukes over lang tid med et minimum av vedlikehold. Verktøyet/apparatet er avhengig av riktig stell og regelmessig rengjøring for å fungere som det skal til enhver tid.

**Advarsel!** Før du utfører vedlikehold på elektrisk drevet/batteridrevet elektroverktøy:

- ◆ Slå av apparatet/verktøyet og trekk ut støpselet.
- ◆ Eller la batteriet gå helt tomt hvis det er innebygd, og slå deretter av.
- ◆ Fjern laderen fra stikkkontakten før du rengjør den. Laderen krever ikke annet vedlikehold enn regelmessig rengjøring.
- ◆ Rengjør ventilasjonsåpningene i verktøy/apparat og lader jevnlig med en myk børste eller tørr klut.
- ◆ Rengjør motorhuset regelmessig med en fuktig klut. Ikke bruk slipende eller løsemiddelbaserte rengjøringsmidler.
- ◆ Bruk et butt skraperedskap regelmessig for å fjerne gress og jord fra undersiden av vernet.

## Feilsøking

Hvis apparatet ikke fungerer som det skal, følger du instruksjonene nedenfor. Hvis problemet ikke løses, kontakter du ditt lokale BLACK+DECKER-serviceverksted.

**Advarsel!** Før du fortsetter, slipper du sikkerhetshåndtaket for å slå gressklipperen av, og venter til bladet stopper.

Problem	Mulig løsning
Gressklipperen vil ikke gå når sikkerhetshåndtaket er aktivert.	<p>Pass på at gressklipperen er skikkelig tilkoblet og at knappen på bryterboksen er skikkelig presset sammen før du drar i sikkerhetshåndtaket.</p> <p>Slipp sikkerhetshåndtaket for å slå gressklipperen av. Ta ut sikkerhetsnøkkelen og batteripakken, snu gressklipperen og kontroller at bladet kan rotere fritt.</p> <p>Kontroller at batterihullet er rent for avfall, og at det er riktig tilkoblet.</p> <p>Er batteriet ladet helt opp? Trykk på ladeknappen.</p>
Motoren stopper under klipping.	<p>Slipp sikkerhetshåndtaket for å slå gressklipperen av. Ta ut sikkerhetsnøkkelen og batteripakken, snu gressklipperen og kontroller at bladet kan rotere fritt.</p> <p>Hev hjulenes klippehøyde til høyeste posisjon, og start gressklipperen.</p> <p>Kontroller at batterihullet er rent for avfall, og at det er riktig tilkoblet.</p> <p>Er batteriet ladet helt opp? Trykk på ladeknappen.</p> <p>Ikke overbelast gressklipperen. Senk farten, eller hev klippehøyden.</p>

Problem	Mulig løsning
Gressklipperen er i gang, men klippeytelsen er utilfredstillende.	<p>Slipp sikkerhetshåndtaket for å slå gressklipperen av. Koble fra gressklipper. Legg gressklipperen på siden og kontroller:</p> <ul style="list-style-type: none"> <li>◆ Bladet skal være skarpt – hold bladet skarpt.</li> <li>◆ Om undersiden og utmatningen er tilstøpt.</li> </ul> <p>Innstillingen av hjulhøyden kan være for lav for gressforholdene. Hev klippehøyden.</p>
Det er unormalt tungt å skyve gressklipperen.	Slipp sikkerhetshåndtaket for å slå gressklipperen av. Koble fra gressklipper. Hev klippehøyden for å hindre at gressklipperen sleper i gresset. Kontroller at alle hjul roterer fritt.
Gressklipperen bråker unormalt og vibrerer.	<p>Slipp sikkerhetshåndtaket for å slå gressklipperen av. Koble fra gressklipper. Legg gressklipperen på siden, og kontroller at bladet ikke har blitt bøyd eller skadet. Hvis bladet er skadet, skifter du det ut med et nytt blad fra BLACK+DECKER. Hvis gressklipperens underside er skadet, leverer du inn gressklipperen til et autorisert BLACK+DECKER-servicecenter.</p> <p>Hvis det ikke er noen synlig skade på bladet og gressklipperen fremdeles vibrerer:</p> <ul style="list-style-type: none"> <li>◆ Slipp sikkerhetshåndtaket for å slå gressklipperen av.</li> <li>◆ Koble fra gressklipper.</li> <li>◆ Demonter hele bladmodulen som beskrevet i avsnittet «Ta av og sett på bladet».</li> <li>◆ Fjern avfall og rens alle delene.</li> <li>◆ Sett på igjen alle delene som beskrevet i avsnittet «Ta av og sett på bladet».</li> </ul> <p>Hvis gressklipperen fremdeles vibrerer, leverer du inn gressklipperen til et autorisert BLACK+DECKER-servicecenter.</p>
Batteriladerens LED-lys er ikke på.	<p>Sjekk kontaktkoblingen.</p> <p>Bytt ut laderen.</p>
Gressklipperen samler ikke opp gresset.	<p>Utmatningen er tilstøpt. Slipp sikkerhetshåndtaket for å slå gressklipperen av. Koble fra gressklipper. Fjern gress fra utmatningen.</p> <p>Hev hjulenes klippehøyde for å klippe mindre gress.</p> <p>Gressoppsamleren er full. Tøm gressoppsamleren oftere.</p>

## Miljøvern



Separat avfallshåndtering. Produkter og batterier merket med dette symbolet skal ikke kastes i vanlig husholdningsavfall.

Produkter og batterier inneholder materialer som kan gjenbrukes eller gjenvinnes for å redusere behovet for nye råmaterialer. Vennligst lever elektrisk utstyr og batterier til gjenbruk i henhold til lokale regler. Mer informasjon finner du på [www.2helpU.com](http://www.2helpU.com)

## Tekniske data

		CLM5448PC	CLM5448PCB
Spenning	Vdc	54V	54V
Hastighet uten belastning	min <sup>-1</sup>	0 - 2900	0 - 2900
Vekt	kg	26,62	24,15
Bladlengde	mm	48	48

		CLM5448PC	CLM5448PCB
Batteri		BL2554	Tom enhet. (Ingen batterier medfølger)
Spenning	$V_{DC}$	54/18v DUALVOLT	
Kapasitet	Ah	2,5	
Type		Li-Ion	
Lader		BDC2A	Tom enhet. (Ingen lader medfølger)
Inngangsspenning	$V_{AC}$	220 - 240	
Utgangsstrømmen	mA	2000mA	
Omtrentlig ladetid	h	3,75	

Vektet vibrasjonsverdi for hånd/arm:  
= 4,4m/s<sup>2</sup>, usikkerhet (K) = 1,5m/s<sup>2</sup>.

$L_w$  (lydtrykk) 83 dB(A)  
usikkerhet (K) = 2,5 dB(A)

**EU-samsvarerklæring**  
**MASKINERIDIREKTIV**  
**DIREKTIV FOR UTENDØRSSTØY**



CLM5448PC, CLM5448PCB- gressklipper

Black & Decker erklærer at disse produktene, som er beskrevet under «tekniske data», er i samsvar med:  
2006/42/EC, EN 60335-1:2012 + A11:2014,  
EN 60335-2-77:2010

2000/14/EF, gressklipper, L < 50 cm, vedlegg VI,  
DEKRA Certification B.V., Utrechtseweg 310, ED Arnhem  
Nederland, ID-nummer for varslet organ ID nr.: 0344  
Nivå for akustisk effekt i henhold til 2000/14/EU (artikkel 12,  
vedlegg III, L < 50 cm):

$L_w$  (målt lydeffekt) 89,5 dB(A)  
usikkerhet (K) = 1,2 dB(A)

$L_w$  (garantert lydeffekt) 96 dB(A)

Disse produktene er også i samsvar med direktiv 2014/30/EU og 2011/65/EU. Hvis du ønsker mer informasjon, kan du kontakte Black & Decker på adressen under eller se baksiden av bruksanvisningen.

Undertegnede er ansvarlig for utarbeidelsen av den tekniske dokumentasjonen og gir denne erklæringen på vegne av  
Black & Decker.

R. Laverick  
Sjefsingeniør

Black & Decker Europe, 210 Bath Road, Slough,  
Berkshire, SL1 3YD  
Storbritannia  
26.08.2016

### Garanti

Black & Decker er trygg på kvaliteten av produktene sine og tilbyr en 24 måneders garanti fra kjøpsdato. Denne garanti75-erklæringen kommer i tillegg til dine lovbestemte rettigheter og er ikke i konflikt med disse. Garantien er gyldig innen områdene tilhørende medlemslandene i den Europeiske Union (EU) og det Europeiske Frihandelsområdet (EFTA).

For å ta garantien i bruk må kravet være i samsvar med kjøpsbetingelsene fra Black&Decker og du må vise kjøpskvittering til forhandleren eller til et autorisert serviceverksted. Betingelsene for Black&Deckers 2 års garanti og adressen til din nærmeste autoriserte serviceverksted kan du finne på internett under [www.2helpU.com](http://www.2helpU.com), eller ved å kontakte ditt lokale Black & Decker kontor, adressen er angitt i denne bruksanvisningen.

Besøk våre nettsider på [www.blackanddecker.no](http://www.blackanddecker.no) for å registrere ditt nye Black & Decker-produkt og for å få informasjon om nye produkter og spesialtilbud.

**Tilsigtet brug**

Dine BLACK+DECKER CLM5448PC & CLM5448PCB plæneklippere er designet til græsslåning. Disse apparater er kun beregnet til privat brug.

**Sikkerhedsinstruktioner**

**Advarsel!** Ved anvendelse af ledningsfri apparater skal grundlæggende sikkerhedsforholdsregler inkl. nedenstående altid følges, så risikoen for brand, elektrisk stød, personskade og materiel skade undgås.

**Advarsel!** Sikkerhedsreglerne skal følges ved brug af maskinen.

Læs denne vejledning, før du bruger maskinen, af hensyn til din egen og omkringståendes sikkerhed. Gem vejledningen til senere brug.

- ◆ Læs hele vejledningen omhyggeligt, før du bruger apparatet.
- ◆ Den tilsigtede brug er beskrevet i denne vejledning. Brugen af ekstraudstyr eller tilbehør eller udførelse af andet arbejde med dette apparat end det, der anbefales i denne vejledning, kan udgøre en risiko for personskade.
- ◆ Opbevar denne vejledning til senere brug.

**Brug af apparatet**

Vær altid opmærksom ved brugen af apparatet.

- ◆ Dette apparat må ikke bruges af børn eller svagelige personer uden opsyn.
- ◆ Apparatet må ikke bruges som legetøj.
- ◆ Lad ikke børn eller dyr komme i nærheden af arbejdsområdet eller røre ved apparatet eller strømforsyningsledningen.

- ◆ Vær meget opmærksom, når apparatet benyttes i nærheden af børn.
- ◆ Apparatet må kun bruges på tørre steder. Lad ikke apparatet blive vådt.
- ◆ Apparatet må ikke nedsænkes i vand.
- ◆ Kabinettet må ikke åbnes. Der er ingen dele indeni, der kan serviceres af brugeren.
- ◆ Brug ikke apparatet i eksplosive omgivelser, f.eks. hvor der er brændbare væsker, gasser eller støv.
- ◆ For at reducere risikoen for beskadigelse af stik og ledninger må du aldrig trække i ledningen for at tage stikket ud af en stikkontakt.
- ◆ Inspicer altid visuelt, at knivene, knivboltene og knivsamlingen ikke er slidt eller beskadiget, før du bruger maskinen. Udskift slidte eller beskadigede knive og bolte i sæt for at bevare balancen.
- ◆ Med henblik på at undgå en fare forårsaget af utilsigtet nulstilling af den termiske afbryder må dette apparat hverken forsynes gennem en ekstern koblingsanordning, som f.eks. en timer, eller sluttes til et kredsløb, der regelmæssigt tændes og slukkes af forsyningsenheden.
- ◆ Brug aldrig maskinen, mens der er andre i nærheden, især børn eller kæledyr.
- ◆ Vær opmærksom på, at brugeren er ansvarlig for ulykker eller risici, som andre eller andres ejendom udsættes for.

## Før brug

- ◆ Brug altid kraftigt fodtøj og lange bukser under anvendelse af maskinen. Betjen ikke maskinen uden sko eller iført sandaler. Undgå at bære løstsiddende tøj eller tøj med hængende snore eller bånd.
- ◆ Inspicer grundigt det område, hvor maskinen skal bruges, og fjern alle objekter, som maskinen kan kaste ud.
- ◆ Inspicer altid visuelt, at kniven, knivbolten og knivsamlingen ikke er slidt eller beskadiget, før du bruger maskinen. Udskift slidte eller beskadigede komponenter i sæt for at bevare balancen. Udskift beskadigede eller ulæsbare etiketter.
- ◆ Brug ikke apparatet med beskadigede eller defekte dele.
- ◆ Få beskadigede eller defekte dele repareret eller udskiftet på et autoriseret værksted.
- ◆ Forsøg aldrig at fjerne eller udskifte dele ud over dem, der er beskrevet i denne vejledning.
- ◆ Vær forsigtig under justering af plæneklipperen for at forhindre, at fingre fanges mellem klinger/dele i bevægelse og faste dele på maskinen.
- ◆ Vær under servicering af klingerne opmærksom på, at selvom strømmen er afbrudt, kan klingerne stadig bevæge sig.

## Efter brug

- ◆ Opbevar apparatet på et tørt, godt ventileret sted uden for børns rækkevidde, når det ikke er i brug.
- ◆ Børn må ikke have adgang til opbevarede apparater.
- ◆ Når apparatet opbevares eller transporteres i et køretøj, skal det anbringes i bagagerummet eller fastgøres for at forhindre bevægelse som følge af pludselige ændringer i hastighed eller retning.

## Eftersyn og reparationer

- ◆ Kontroller apparatet for beskadigede eller defekte dele før brug. Se efter knækkede dele, skader på kontakter og eventuelle andre tilstande, der kan påvirke apparatets funktion.

## Yderligere sikkerhedsvejledning for plæneklippere

- ◆ Undlad at transportere maskinen, mens strømkilden kører
- ◆ Hold godt fast i håndtaget med begge hænder, når du bruger plæneklipperen.
- ◆ Hvis det bliver nødvendigt at vippe plæneklipperen, skal du have begge hænder i arbejdsstilling, mens den vippes. Hold begge hænder i arbejdsstilling, til apparatet står sikkert på jorden igen.
- ◆ Lyt aldrig til radio eller musik i hovedtelefoner, mens du bruger plæneklipperen.
- ◆ Juster aldrig hjulenes højde, mens motoren kører, eller mens sikkerhedsnøglen sidder i.

- ◆ Slip aktiveringsbøjlen for at slukke for plæneklipperen, hvis den står stille, vent indtil klingen er stoppet, før blokeringer i udkastet eller under skjoldet fjernes.
- ◆ Hold hænder og fødder væk fra skæreområdet.
- ◆ Hold klingerne skarpe. Brug altid beskyttelseshandsker ved håndtering af plæneklipperklingen.
- ◆ Hvis du bruger græsopsamleren, kontrollér den jævnligt for slid og beskadigelse. Udskift den af hensyn til din egen sikkerhed, hvis den er meget slidt.
- ◆ Vær yderst forsigtigt, når du bakker eller trækker plæneklipperen imod dig selv.
- ◆ Sæt ikke hænder eller fødder ind under plæneklipperen. Hold altid afstand til udkaståbningen.
- ◆ Ryd det område, hvor plæneklipperen skal bruges, for genstande såsom sten, pinde, ståltråd, legetøj, ben etc., som klingens kan kaste rundt med. Genstande, der rammes af klingens, kan forårsage alvorlig personskade. Bliv bag håndtaget, når motoren kører.
- ◆ Kør ikke med plæneklipperen med bare fødder eller iført sandaler. Bær altid solidt fodtøj.
- ◆ Træk ikke plæneklipperen baglæns, medmindre det er strengt nødvendigt. Se altid ned og bag dig, når du trækker plæneklipperen baglæns.
- ◆ Ret aldrig det udkastede materiale mod andre.
- ◆ Undgå af kaste materiale ud mod en mur eller en forhindring. Materialet kan springe tilbage mod brugeren. Slip aktiveringsbøjlen for at slukke plæneklipperen og stoppe klingens, når grusbeltet flader passerer.
- ◆ Brug ikke plæneklipperen, før græsopsamleren, udkastskærmen, den bageste skærm eller andre sikkerheds- og beskyttelsesanordninger er monteret og fungerer. Kontroller jævnligt, at alle skærme og sikkerheds- og beskyttelsesanordninger er i god stand og fungerer korrekt, så de opfylder deres formål. Udskift beskadigede skærme og andre sikkerhedsanordninger, før maskinen tages i brug igen.
- ◆ Efterlad aldrig plæneklipperen uden opsyn, mens motoren kører.
- ◆ Slip altid aktiveringsbøjlen for at stoppe motoren, vent til klingens står helt stille, før du rengør plæneklipperen, afmonterer græsposen, fjerner blokeringer under udkastskærmen, forlader plæneklipperen eller foretager justeringer, reparationer eller inspektioner.
- ◆ Brug kun plæneklipperen i dagslys eller ved godt kunstigt lys, hvor genstande i klingens bane er tydeligt synlige fra plæneklipperens betjeningssområde.
- ◆ Kør ikke med plæneklipperen under indflydelse af alkohol eller narkotika, eller hvis du er træt eller syg. Vær altid opmærksom, hold øje med, hvad du laver og brug din sunde fornuft.

- ◆ Undgå farlige omgivelser. Brug aldrig plæneklipperen i fugtigt eller vådt græs, eller når det regner. Sørg altid for godt fodfæste; gå, løb ikke.
- ◆ Slip aktiveringsbøjlen, vent til klingens stopper, hvis plæneklipperen begynder at vibrere unormalt. Kontroller derefter omgående årsagen. Vibration er generelt en advarsel om et problem; se fejlsøgningsvejledningen for at få hjælp ved unormal vibration.
- ◆ Bær altid korrekt øjen- og åndedrætsbeskyttelse, når du bruger plæneklipperen.
- ◆ Brugen af ekstraudstyr eller tilbehør, som ikke anbefales til brug sammen med denne plæneklipper, kan være farligt. Brug kun ekstraudstyr, der er godkendt af BLACK+DECKER.
- ◆ Stræk dig ikke for langt, mens du bruger plæneklipperen. Sørg altid for at have sikkert fodfæste og balance, når du bruger plæneklipperen.
- ◆ Arbejd på tværs af skråninger, aldrig op og ned. Vær især forsigtig, når du ændrer retning på skråninger.
- ◆ Hold øje med huller, hjulspor, sten og andre skjulte genstande. Du kan skride eller falde i ujævnt terræn og komme til skade. Højt græs kan dække over forhindringer.
- ◆ Slå ikke vådt græs eller græs på meget stejle skråninger. Et dårligt fodfæste kan få dig til at skride eller falde, så du kommer til skade.
- ◆ Slå ikke græs i nærheden af skrænter, grøfter eller volde.

Du kan miste fodfæstet eller balancen.

- ◆ Lad altid plæneklipperen køle ned, inden den sættes væk.
- Træk stikket ud af kontakten, og træk batteripakken ud af maskinen. Sørg for, at alle dele i bevægelse er helt stoppet:
- ◆ Hver gang du forlader maskinen;
  - ◆ Før du rengør en blokering;
  - ◆ Før du kontrollerer, rengør, justerer eller arbejder på apparatet.

## Andres sikkerhed

- ◆ Dette udstyr er ikke beregnet til anvendelse af personer (inklusive børn) med nedsatte fysiske, sensoriske eller mentale handicaps eller med mangel på erfaringer eller viden, medmindre de er under overvågning eller har fået instruktioner i brugen af udstyret af en person, der er ansvarlig for deres sikkerhed.
- ◆ Børn skal holdes under opsyn, så det sikres, at de ikke leger med apparatet.
- ◆ Når du har ramt et fremmedlegeme. Se apparatet efter for skader, og foretag evt. nødvendige reparationer;

## Restrisici.

Der kan opstå yderligere restrisici under brugen af værktøjet, som muligvis ikke behandles i de vedlagte sikkerhedsadvarsler. Disse risici kan opstå pga. forkert anvendelse, langvarig brug etc. Selv ved overholdelse af relevante sikkerhedsforskrifter og anvendelse af sikkerhedsudstyr kan visse restrisici ikke undgås. Disse omfatter:

- ◆ Tilskadekomst forårsaget af berøring af roterende/bevægelige dele.
- ◆ Tilskadekomst forårsaget af udskiftning af dele, klinger eller tilbehør.
- ◆ Tilskadekomst forårsaget af langvarig brug af et værktøj. Husk at holde pause jævnlige ved brug af et værktøj i længere tid.
- ◆ Hørenedsættelse.
- ◆ Sundhedsrisici forårsaget af indånding af støv, der genereres ved brug af værktøjet (eksempel: arbejde med træ, især, eg, bøg og MDF.)
- ◆ Hvis de er uundgåeligt at betjene plæneklipperen på et fugtigt sted, skal der bruges en fejlstrømsafbryder (RCD) med en aktiveringsstrøm på højst 30 mA.  
Ved at benytte en fejlstrømsafbryder reduceres risikoen for elektrisk stød.
- ◆ Du må aldrig løfte eller bære et apparat, mens motoren kører.

## Advarselssymboler

Følgende advarselssymboler findes på apparatet sammen med datokoden:



**Advarsel!** Læs vejledningen inden brug.



**Pas på skarpe klinger.**  
Klingen fortsætter med at rotere, efter at motoren er stoppet – Fjern deaktiveringsenhed inden vedligeholdelse, eller hvis ledning er beskadiget.



Pas på flyvende genstande.  
Hold omkringstående på afstand af klippeområdet.



Brug øjneværn



Kniven fortsætter med at rotere, efter at maskinen er slukket.



Direktiv 2000/14/EF garanteret lydeffekt.

## Yderligere sikkerhedsvejledninger til batterier og opladere

### Batterier

- ◆ Forsøg aldrig at åbne den af en eller anden grund.
- ◆ Batteriet må ikke udsættes for vand.
- ◆ Batteriet må ikke udsættes for varme.
- ◆ Må ikke opbevares på steder, hvor temperaturen kan overstige 40°C.
- ◆ Foretag kun opladning ved omgivelsestemperaturer mellem 10 °C og 40 °C.
- ◆ Brug kun den oplader, der fulgte med apparatet/værktøjet, til opladning. Brug af den forkerte oplader kan medføre elektrisk stød eller overophedning af batteriet.
- ◆ Ved bortskaffelse af batterierne, skal du følge anvisningerne i afsnittet "Beskyttelse af miljøet".
- ◆ Undgå at beskadige/deformere batteripakken ved at punktere den eller slå på den, da dette kan forårsage risiko for tilskadekomst eller brand.



- ◆ Beskadigede batterier må ikke oplades.
- ◆ Under ekstreme forhold kan der forekomme batterilækage. Hvis du bemærker væske på batterierne, skal du omhyggeligt tørre den af med en klud. Undgå kontakt med huden.
- ◆ I tilfælde af kontakt med hud eller øjne skal nedenstående instruktioner følges.

**Advarsel!** Batterivæsken kan forårsage personskader eller materielle skader. I tilfælde af kontakt med huden skylles straks med vand.

Søg læge, hvis der opstår rødme, smerte eller irritation. Skyl straks med rent vand, og søg læge i tilfælde af kontakt med øjnene.



Forsøg ikke at oplade beskadigede batterier

## Oplader

Opladeren er udviklet til en specifik spænding.

Kontroller altid, at netspændingen svarer til spændingen på typeskiltet.

**Advarsel!** Forsøg aldrig at erstatte opladerenheden med et almindeligt netstik.

- ◆ Brug kun din Black & Decker-lader til at oplade batteriet i det apparat/værktøj, hvormed det blev leveret. Andre batterier kan eksplodere og forårsage personskader og materielle skader.
- ◆ Forsøg aldrig at oplade ikke-genopladelige batterier.

- ◆ Hvis netledningen beskadiges, skal den udskiftes af producenten eller et autoriseret Black & Decker-værksted, så farlige situationer undgås.
- ◆ Opladeren må ikke udsættes for fugt.
- ◆ Opladeren må ikke åbnes.
- ◆ Undersøg ikke opladeren.
- ◆ Apparatet/værktøjet/batteriet skal anbringes et sted med god udluftning, når det oplades.



Opladeren er kun beregnet til indendørs brug.



Læs brugervejledningen, før værktøjet tages i brug.

**Vigtigt:** Kun følgende opladere bør anvendes til at oplade 54v-batteriet BL1554 og BL2554:

90589867, 90621477, 90590287-01, 90590289-01, 90602042-01, 90590287-02, 90590289-02, 90599854-02, 90599854-06, 90599853-05, 90634971, 90634972, 90634973, 90642266, 90642264, 90642265, BDC2A

## Elektricitet og sikkerhed



Din oplader er dobbelt isoleret; og der kræves derfor ingen jordleder.

Kontroller altid, at netspændingen svarer til spændingen på typeskiltet. Forsøg aldrig at erstatte opladerenheden med et almindeligt netstik.

- ◆ Hvis netledningen beskadiges, skal den udskiftes af producenten eller et autoriseret BLACK+DECKER-værksted, så farlige situationer undgås.

## Funktioner

Dette apparat leveres med nogle af eller alle de følgende komponenter.

1. Omskifterboks
2. Båndhåndtag
3. Øverste håndtag
4. Nederste håndtag
5. Fastgørelsesgreb til øverste håndtag (2)
6. Fastgørelsesgreb til nederste håndtag (2)
7. Justeringsgreb til skærehøjde
8. Græsopsamlingspose
9. Dæksel til bagdør
10. Instrumentbræt
11. POWERCOMMAND-batteriafbrøder
12. Dæksel til batterium
13. Bærehåndtag
14. EdgeMax™

## Opladningsprocedure

BLACK+DECKER opladere er designet til at oplade BLACK+DECKER batteripakker.

- ◆ Indsæt opladeren i en passende udgang, før batteripakken indsættes.
- ◆ Indsæt batteripakken i opladeren.



Den grønne LED blinker for at vise, at batteriet oplades



Når opladningen er færdig, vil det blive angivet af den grønne LED, som vil lyse konstant. Pakken er fuldt opladet og kan nu anvendes eller kan efterlades i opladeren

**Advarsel!** Genoplad afladede batterier så hurtigt som muligt efter brug, da batteriets levetid ellers kan blive stærkt formindsket.

## Fejlfinding af opladeren

Denne oplader er udviklet til at registrere visse problemer, der kan opstå med batteripakker eller strømkilden. Problemerne angives med et LED blink i forskellige mønstre.

### Dårligt batteri



Opladeren kan registrere et svagt eller beskadiget batteri. Det røde LED blinker i det mønstre, der er angivet på mærkaten. Hvis du ser dette dårlige batteriblinkmønster, forsæt ikke med at oplade batteriet.

Returnér det til et servicecenter eller til et indsamlingssted til genbrug

## Varm/kold pakkeforsinkelse



Når opladeren registrerer et batteri, der er alt for varmt eller alt for koldt, starter den automatisk en varm/kold pakkeforsinkelse og indstiller opladningen, indtil batteriet er blevet normaliseret.

Efter dette er sket, skifter opladeren automatisk til pakkeopladningsfunktionen. Denne funktion sikrer maksimal batterilevetid. Det røde LED blinker i det mønstre, der er angivet på mærkaten, når varm/kold pakkeforsinkelsen registreres

## Vigtige bemærkninger om opladning

- ◆ Den længste levetid og bedste ydeevne kan opnås, hvis batteripakken oplades, når lufttemperaturen er mellem 16° og 27°C (60° - 80°F).
  - ◆ Oplad IKKE batteripakken i en lufttemperatur under +4,5°C (+40°F) eller over +40,5°C (+105°F). Dette er vigtigt og vil forhindre alvorlig beskadigelse af batteripakken.
  - ◆ Opladeren og batteripakken kan blive for varm at røre ved under opladning. Dette er normalt og angiver ikke et problem. For at lette køling af batteripakken efter brug, undgå at placere opladeren eller batteripakken i varme omgivelser, som f.eks. i et metalskur eller i en isoleret trailer.
  - ◆ Hvis batteripakken ikke oplades ordentligt:
    - ◆ Kontroller strømstikket ved at tilslutte en lampe eller et andet apparat
    - ◆ Kontrollér for at se om kontakten er tilsluttet til en lyskontakt, som slår strømmen fra, når du slukker for lysene.
    - ◆ Flyt opladeren og batteripakken til et sted, hvor den omgivende lufttemperatur er ca. 16° - 27°C (60°F - 80°F).
    - ◆ Hvis der stadig er opladningsproblemer, tag værktøjet, batteripakken og opladeren til dit lokale servicecenter.
  - ◆ Batteripakken skal genoplades, når den ikke giver tilstrækkelig strøm til de opgaver, som tidligere let blev udført. FORTSÆT IKKE med at bruge den under disse forhold. Følg opladningsproceduren.
- Du kan også oplade en delvist brugt pakke, når du ønsker det uden nogen negativ indflydelse på batteripakken.
- ◆ Fremmede materialer af en ledende art som for eksempel, men ikke begrænset til ståluld, aluminiumsfolie eller anden koncentration af metalliske partikler skal holdes på afstand af opladerens huller. Tag altid stikket til opladeren ud fra kontakten, når der ikke er indsat en batteripakke. Tag stikket til opladeren ud før forsøg på at rengøre den.
  - ◆ Frys ikke eller nedsænk opladeren i vand eller andre væsker.

**Advarsel!** Lad ikke nogen flydende væsker komme ind i opladeren.

**FORSØG ALDRIG AT ÅBNE BATTERIPAKKEN. HVIS BATTERIPAKKENS PLASTIKHUS FÅR BRUD ELLER REVNER, RETURNER DET TIL ET SERVICECENTER TIL GENBRUG.**

### Ladetilstandsindikator for batteri

Batteriet er udstyret med en ladetilstandsindikator. Den kan bruges til at vise det nuværende opladningsniveau i batteriet i plæneklipperen og under opladning. Den angiver ikke værktøjets funktionalitet og er underlagt variation baseret på produktkomponenter, temperatur og slutbrugeranvendelse.

### Kontrol af ladetilstand:

- ◆ Tryk på ladetilstandsindikatorknappen (A1).
- ◆ De tre LEDs (A2) vil lyse og angive opladningsprocenten i batteriet. Se skemaet i figur A.
- ◆ Hvis LED lyset ikke lyser, oplad batteriet.

### På- og afmontering af batteripakkerne

**Advarsel!** Sørg for, at sikkerhedsnøglen er fjernet for at forhindre aktivering inden fjernelse eller isætning af batteri.

### Sådan installeres batteripakkerne:

- ◆ Løft dækslet til batterirummet (12) op for at eksponere batteriåbningen (15).
- ◆ Skub batteriet (16) ind i batterirummet, indtil det er helt på plads, og du hører et tydeligt klik (figur B). Sørg for at batteripakken er helt skubbet ind og låst i position. Gentag med den anden batteriåbning.
- ◆ Luk dækslet til batterirummet. Kontrollér at dækslet er låst, før du starter plæneklipperen.

### Sådan udtages batteripakkerne:

- ◆ Åbn dækslet til batterirummet (12) som beskrevet ovenfor.
- ◆ Tryk batteriets udløserknap (16a) ned på batteripakken og træk batteripakken ud af værktøjet som vist i figur D.

### Valg af POWERCOMMAND-batteripakke

**Advarsel!** Sørg for, at sikkerhedsnøglen er fjernet for at forhindre Aktivering inden valg af aktivt batteri.

Plæneklipperen er udstyret med en POWERCOMMAND-batteriavgknop (11).

Denne bruges til at forlænge driftstiden. Tryk på batteriavgknappen (figur D) til venstre eller højre.

- ◆ Siden markeret med "1" aktiverer den venstre batteriåbning.
- ◆ Siden markeret med "2" aktiverer den højre batteriåbning.

**Bemærk!** Plæneklipperen kan betjenes med en enkelt batteripakke, hvis afbryderen er i den rette position.

### Aktivt batteri, ladetilstandsindikatorer

**Bemærk:** Ladetilstand angives kun, når en batteripakke er isat, eller når plæneklipperen er tændt, eller når et enkelt batteri er til stede, og afbryderen slås til for at forbinde den til plæneklipperens drift.

Denne plæneklipper er udstyret med en ladetilstandsindikator, der er placeret på bunden af instrumentbrættet (10). Den bruges til at vise den aktive batteriåbning og det aktuelle opladningsniveau i det aktive batteri. Når en batteripakke er installeret i batterirummene, lyser de tre LEDs for opladningsniveau i 3 sekunder og viser det aktuelle opladningsniveau i batteriet og slukkes derefter. Mens plæneklipperen er i brug, vises det aktuelle opladningsniveau for det valgte, aktive batteri.

- ◆ Når plæneklipperen aktiveres for første gang, lyser alle LED-indikatorlamperne på instrumentbrættet (10).
- ◆ Instrumentbrættets LED-lamper på den inaktive batteriside slukkes.
- ◆ Instrumentbrættets LED-lamper på den aktive batteriside (17) forbliver tændt, og de tre LEDs for opladningsniveau (18) angiver den procentvise opladning i batteriet. (Se skemaet i figur A.)
- ◆ Hvis ingen LEDs lyser for det aktive batteri, bør du slå batterivalgknappen (11) til det inaktive batteri. Oplad batteriet, hvis ingen batteri-LEDs lyser.

**Bemærk:** Sikkerhedsnøglen skal indsættes for alle LEDs og skiftefunktioner for at fungere, som beskrevet.

### DUALVOLT 54V-batteripakke (Fig C1.)

Dualvolt 54V-batteripakken kan bruges på trådløse 54V & 18V Black+Decker-værktøjer. Batteriet kan genkende værktøjet, det indsættes i, og kører ved den relevante effekt, hvilket giver længere driftstid i 18V-værktøjer. Der er en ladetilstandsknap (16b), som angiver niveauopladningen ved både 54V og 18V.

### Samling

**Advarsel!** Før montering skal du sørge for, at båndhåndtaget er udløst og sikkerhedsnøglen er taget ud.

### Påsætning af det nederste håndtag

- ◆ Løft det nederste håndtag (4) på plads og kontroller at pilen (19) nederst på plæneklipperen rettes ind efter 1, 2 eller S på nederste på håndtaget (20) (indsat i figur F)

**Bemærk!** Kontroller at hver side af det nederste håndtag er indstillet til det samme nummer.

Pilen skal være rettet ind efter 1 eller 2 for drift.

- ◆ Luk højdejusteringsgrebene på håndtag (6) som vist i figur F. Når du lukker hvert af dem, så sørg for tænderne er i indgreb som vist i figur G.
- ◆ Hvis forbindelsen mellem håndtaget og grebet er for tæt eller for løst, åbn grebet og juster grebets dybde ved at dreje på grebet.

Luk det igen, indtil tænderne er helt sammenklappede. og hver enkelt greb forbliver sikkert lukket.

### Montering af det øverste håndtag (fig. H)

Det øverste håndtag har tre forskellige monteringsposition-shuller (21) til at justere håndtagets længde fra bunden. Det første sæt huller nær bunden af det øverste håndtag giver mulighed for maksimal håndtagslængde. Hvis du bruger de midterste og øverste monteringspositioner, forkortes håndtagslængden

- ◆ Fjern fastgørelsesgrebene til det øverste håndtag (5) samt møtrikker (22), og spændeskiver (23) fra håndtaget.
- ◆ Ret hullerne i bunden af det øverste håndtag (3) ind efter hullerne øverst på det nederste håndtag (4).

**Bemærk:** Sørg for, at ledningen er placeret foran begge håndtag, som vist på figur I. Hvis ikke, kan det resultere i, at ledningen bliver viklet sammen, og at plæneklipperen ikke kan opbevares.

- ◆ Skub fra den udvendige side på det øverste håndtag (3), boltene på grebet gennem hullerne.
- ◆ Skub spændeskiven over boltene på grebet og saml hele enheden løst med møtrikken.
- ◆ Drej det øverste håndtag til driftspositionen.
- ◆ Luk grebet. Hvis det er for stramt eller for løst, åbn grebet og møtrikken for at justere fastspændingen. Kontroller grebene ved at lukke dem. De skal være tilstrækkeligt stramme, så håndtagene holdes fast, men samtidig så løse, at håndtagene kan lukkes helt. Juster ved at åbne grebet og dreje møtrikken, indtil håndtagene sidder fast.

### Fastgøring af motorledningen (fig. I)

**Advarsel:** Fastgør kablet, så det ikke bliver strakt eller klemt i håndtagenes led under brug eller foldning. Dette kan beskadige ledningen.

Motorkablet skal fastgøres til håndtagene ved hjælp af kabelfastholdelsesordninger, der allerede er fastgjort til håndtaget.

Sådan klemmer du kablet fast på håndtaget:

- ◆ Sæt håndtagene i driftsposition, se afsnittet "Fastgørelse af nederste håndtag".
- ◆ Rul kablet op foran det nederste og det øverste håndtag.
- ◆ Træk kabelfastholdelsesordningen tilbage.
- ◆ Skub motorkablet under clipsen og kontroller, at den holdes fuldstændigt på plads af fastholdelsesordningen.

### Pakning i poser

**Advarsel:** Fjern nøglen og batteripakkerne, inden du fjerner sideudgangsfastgørelsen og klipningsindsatsen, og når du åbner dækslet til bagdøren og installerer posen.

- ◆ Kontroller at sideudgangsfastgørelsen (26) (figur M) og klipningsindsatsen (27) (figur L) er fjernet fra plæneklipperen før pakning i poser.

- ◆ Løft bagdørsdæksel (9) og placer græsopsamlingsposen (8) på plæneklipperen, så posekroge (28) hviler på øsknerne (29) som vist i figur K. Sænk derefter bagdørsdækslet.

### Klipning

**Advarsel!** Fjern nøgle og batteripakker, inden du fjerner sideudgangsfastgørelsen og opsamlingsposen, og når du installerer klipningsindsatsen.

- ◆ Kontroller at sideudgangsfastgørelsen (26) og opsamlingsposen (8) ikke er fastgjorte.
- ◆ Løft bagdørsdækslet (9) og skub klipningsindsatsen (27) helt ind i plæneklipperen som vist i figur L.
- ◆ Kontroller at bagdørsdækslet lukker helt til før start af plæneklipperen.

### Sideudgang

**Advarsel!** Fjern nøgle og batteripakker, inden du fjerner opsamlingsposen, og når du installerer klipningsindsatsen og sideudgangsfastgørelsen.

- ◆ Kontroller at opsamlingsposen (8) er fjernet.
- ◆ Løft bagerste flap (9) og skub klipningsindsatsen (27) helt ind i plæneklipperen som vist i figur L.
- ◆ Løft sideflap (30) og fastgør sideudgangsfastgørelsen (26) på plæneklipperen som vist i figur M.
- ◆ Slip sideflappen og kontroller, at fastgørelsen holdes på plads, før der tændes for plæneklipperen som vist i indsatsen på fig M.

### Funktion

Læs denne instruktionsvejledning, før du arbejder med plæneklipperen.

Se "Funktioner" for at gøre dig bekendt med placeringen af forskellige betjeningshåndtag og justeringer. Gem denne betjeningsvejledning til fremtidig reference.

**Advarsel!** Lad plæneklipperen arbejde i dens eget tempo. Det må ikke overbelastes.

**Advarsel!** Skarp roterende kniv. Brug ikke plæneklipperen i sideudgang- eller klippingstilstand, hvis den bageste dør ikke er lukket med fjederspænding; det kan forårsage alvorlig tilskadekomst. Indlever plæneklipperen til reparation hos det nærmeste servicecenter.

### Justering af håndtagshøjde (fig. N)

- ◆ Åbn begge fastgørelsesgreb på nederste håndtag (6).
- ◆ Juster håndtaget, så pilen (19) nederst på plæneklipperen rettes ind efter 1 eller 2 nederst på håndtaget (20). Sørg for, at håndtaget er indstillet til det samme nummer på begge sider af plæneklipperen.
- ◆ Luk begge håndtag og sørg for, at håndtaget er låst godt fast, og tænderne er tilkoblet, som vist på indsætning.

## Justering af plæneklipperens højde (fig. O)

Klippehøjden justeres med det midterste højdejusteringsgreb, og der er 7 positioner at vælge imellem.

**Bemærk:** Hvis du ikke er sikker på, hvilken klippehøjde, du skal vælge, start klippingen med højdeindstillingsgreb (7) i position 7 og juster højden ned efter behov, som vist i figur O. Sådan indstilles klippehøjden:

- ◆ Træk plæneklipperens højdejusteringsgreb (7) ud af låsehakket (31).
- ◆ Træk grebet mod apparatets bagside for at hæve klippeshøjden.
- ◆ Træk grebet mod apparatets forside for at sænke klippeshøjden.
- ◆ Skub grebet til højdejustering ind i en af de syv højdeplaceringer.

## Sikkerhedsnøgle

For at forhindre utilsigtet opstart eller uautoriseret brug af din trådløse plæneklipper, er en aftagelig sikkerhedsnøgle (32) blevet indarbejdet i designet af din plæneklipper. Plæneklipperen vil blive frakoblet, hvis sikkerhedsnøglen fjernes fra plæneklipperen.

**Bemærk:** Sikkerhedsnøglen har et hul i midten for at give mulighed for opbevaring på et søm utilgængeligt for børn. Fastgør ikke sikkerhedsnøglen til plæneklipperen.

**Advarsel!** roterende knive kan forårsage alvorlig tilskadekomst. Med henblik på at forebygge alvorlig personskade, skal sikkerhedsnøglen fjernes, når plæneklipperen efterlades uden opsyn, eller ved opladning, rengøring, service, transport, løft eller opbevaring af denne.

## Start af plæneklipperen

**Advarsel!** Skarp roterende kniv. Forsøg ikke at omgå denne funktionen af denne omskifterboks, da det kan medføre alvorlig tilskadekomst.

**Bemærk:** Plæneklipperen fungerer, når batteriet og sikkerhedsnøglen er installeret.

- ◆ Sæt sikkerhedsnøglen (32) ind i omskifterhuset (1), indtil den er helt på plads inde i huset som vist i figur P. Plæneklipperen er nu driftsklar
- ◆ Din plæneklipper er udstyret med en speciel on-off omskifterboks. Du starter plæneklipperen ved at skubbe til knappen (33) på omskifterboksen (1), og derefter trække i båndhåndtaget (2) til håndtaget som vist i figur Q. Når plæneklipperen starter, kan du slippe knappen.
- ◆ Du slukker for plæneklipperen ved at udløse båndhåndtaget.

**Advarsel!** Forsøg aldrig at fastlåse en kontakt eller båndhåndtag (2) i tændt position.

**Bemærk:** Når båndhåndtaget er vendt tilbage til sin oprindelige position, aktiveres den "automatiske bremsemekanisme". Motoren bremses elektrisk, og plæneklipperens klinge holder op med at rotere i løbet af 3 sekunder eller mindre.

## Overbelastning af plæneklipper

For at undgå skader på grund af overbelastning, skal du ikke forsøge at fjerne alt for meget græs på én gang. Sæt farten ned, eller forøg klippehøjden.

## EdgeMax™

MedEdgeMax™ (14) kan du klippe græsset helt op til kanten af en mur eller et hegn (fig. R1).

Med EdgeMax™ kan du klippe græsset præcist helt op til kanten af din plæne (fig. R2).

- ◆ Med plæneklipperen parallelt med kanten på din græsplæne, skub plæneklipperen langs kanten af plænen. kontroller, at EdgeMax™ befinder sig lidt over kanten på din græsplæne (fig. R2).

**Bemærk:** Når sideudgangsfastgørelsen er fastgjort kan EdgeMax™ kun bruges på venstre side af plæneklipperen.

## Opbevaring

**Advarsel!** Den roterende klinge kan forårsage alvorlig tilskadekomst. Slip båndhåndtaget (2) for at slukke for plæneklipperen og fjern sikkerhedsnøglen, før du løfter, transporterer eller stiller plæneklipperen til side. Opbevar plæneklipperen på et tørt sted.

**Advarsel!** For at undgå at blive klemt, holde fingrene væk fra området mellem håndtagene, når de foldes ned.

**Advarsel!** Kontroller at kablet ikke bliver strakt eller klemt i håndtagenes led under foldning. Dette kan beskadige ledningen.

Håndtaget på plæneklipperen kan let og hurtigt foldes sammen for hurtigt og bekvem opbevaring.

- ◆ Hold fast i håndtaget, åbn det, men fjern ikke de nederste håndtags fastgørelsesgreb (6) og fold håndtaget til forsiden af plæneklipperen som vist i figur S.
- ◆ Juster håndtaget, så pilen (19) nederst på plæneklipperen rettes ind efter "S" (20). Sørg for, at håndtaget er indstillet til det samme på begge sider af plæneklipperen.
- ◆ Luk begge greb og kontroller, at håndtaget låst.
- ◆ Åbn men fjern ikke det øverste håndtags fastgørelsesgreb (5) og fold det øverste håndtag (3) tilbage over det nederste håndtag (4) som vist i figur T.
- ◆ Plæneklipperen bør være pakket sammen som vist i figur U.

## Flytning af plæneklipperen

- ◆ Plæneklipperen kan flyttes ved hjælp af de bekvemme bærehåndtag (13) som vist i figur V. Forsøg IKKE at løfte plæneklipperen ved at tage fat i det øverste håndtag (3) eller nederste håndtag (4).

## Tip til græsslåning

**Advarsel!** Kontrollér altid de steder, hvor plæneklipperen skal bruges og fjern alle sten, pinde, ledninger, knogler og andet snavs, som kan blive slynget af de roterende klinger.

**Advarsel!** Arbejd på tværs af skråninger, aldrig op og ned. Vær især forsigtig, når du ændrer retning på skråninger. Slå ikke græs på meget stejle skråninger. Sørg altid for et godt fodfæste.

- ◆ Slip båndhåndtaget for at slukke for plæneklipperen, når grusbelagte flader passere (den roterende klinge kan slynge sten ud).
- ◆ Indstil plæneklipperen til den højeste klippehøjde i ujævnt terræn eller i højt ukrudt. Hvis der slås for meget græs på én gang, kan motoren blive overbelastet, så plæneklipperen stopper. Se fejlsøgningsvejledningen.
- ◆ Når græsopsamlingsbrugeren (8) i perioder, hvor græsset vokser hurtigt, kan udgangsåbningen blive tilstoppet. Slip båndhåndtaget for at slukke for plæneklipperen, og fjern sikkerhedsnøglen. Tag opsamleren af og ryst græsset til den bageste ende af posen. Rens også for alt det græs eller snavs, der kan være pakket omkring udgangsåbnin-gen. Udskift græsopsamleren.
- ◆ Hvis plæneklipperen skulle begynde at vibrere unormalt, udløs båndhåndtaget, sluk for plæneklipperen og fjern sikkerhedsnøglen. Kontrollér omgæenden for årsagen. Vibration er en advarsel om et problem. Brug ikke plæneklipperen, før den har gennemgået en servicekontrol. Se fejlsøgningsvejledningen i betjeningsvejledningen.
- ◆ Udløs altid båndhåndtaget for at slukke for plæneklipperen, hvis plæneklipperen efterlades uden opsyn selv i kort tid.

## Tip for optimal ydeevne

- ◆ Sæt farten ned på områder, hvor græsset er meget langt eller tykt.
- ◆ Undgå græsslåning når græsset er vådt fra regn eller dug eller er-gennemblødt.
- ◆ Slå plænen hyppigt, især i perioder med kraftig vækst.

**Bemærk:** Det anbefales, at din plæneklipperen genoplades efter brug for at forlænge batteriets levetid.

Hyppig opladning vil ikke beskadige dit batteri og vil sikre, at batteriet er fuldt opladet og klar til næste brug. Opbevaring af et ikke fuldt opladet batteri vil forkorte batteriets levetid.

## Demontering og montering af klinger

**Advarsel!** Ved gensamling af klingsystemet kontroller at hver del geninstalleres korrekt som beskrevet nedenfor.

Ukorrekt samling af klingsystemet eller andre dele af klingsystemet kan medføre alvorlige personskader.

**Advarsel!** Udløs båndhåndtaget for at slukke for plæneklipperen, vent til klingene stopper, og tag plæneklipperens stik ud.

- ◆ Skær et stykke på 2x4 træ (34) (ca. 610 mm) for at afholde klingene fra at dreje, mens bolten fjernes (35).
- ◆ Bær handsker og ordentlig øjenbeskyttelse.
- ◆ Læg plæneklipperen på siden. Pas på klingens skarpe kanter. Anbring træ og skru bolten af med en 13mm skruenøgle (36) som vist i figur W.
- ◆ Noter retningen af hver del, når du fjerner den. Fjern bolt (35) og spændeskive (37). Træk klingene (38) af som vist i figur X. Blæseren (39) bør ikke fjernes. Kontrollér alle delene for beskadigelse og udskift om nødvendigt.
- ◆ Klingene kan kun fastgøres til blæseren i en retning. Du samler igen ved at rette det D-formede hul på klingene ind efter blæserens D-formede indlæg og kontrollerer at skrifterne på klingene vender udad væk fra plæneklipperen.
- ◆ For at stramme skal du anbringe træstykket som vist i figur Y for at afholde klingene fra at dreje. Skub bolten gennem spændeskiven og stram den med uret, så den kommer på plads, med en 13mm skruenøgle (36) som vist i figur Y.

## Slibning af kniven

Hold klingene skarpe, det giver det bedste resultat. En sløv klinge klipper og snitter ikke græsset ordentligt. Bær ordentlig øjenbeskyttelse, når du afmonterer, sliber eller monterer en klinge. Kontrollér at sikkerhedsnøglen og batteripakken er fjernet.

Det er normalt tilstrækkeligt at slibe klingene to gange i sæsonen under normale forhold.

Sand gør hurtigt kniven døv. Hvis der er sandjord i din plæne, kan det være nødvendigt at slibe kniven hyppigere.

**Bemærk:** Udskrift straks klingene, hvis den bliver bøjet eller beskadiget.

Ved slibning af klingene:

- ◆ Sørg for, at klingene er afbalanceret.
- ◆ Slib klingene i den oprindelige skærevinkel.
- ◆ Slib skærekanterne i begge ender af klingene, så der fjernes en lige stor mængde materiale fra begge ender.

## Slibning af en kniv i en skruestik (fig. V)

- ◆ Vær sikker på at båndhåndtaget er udløst, kniven er stoppet og plæneklipperens stik er trukket ud, inden du fjerner kniven.
- ◆ Fjern kniven fra plæneklipperen. Se instruktioner for demontering og montering af klingene.
- ◆ Fastgør kniven (38) i en skruestik (40).
- ◆ Bær korrekt øjenbeskyttelse og handsker og pas på, at du ikke skærer dig selv. Fil forsigtigt klingens skæreflader med en fin tandfil (41) eller slibesten, så den oprindelige skærekant bevares. Kontrollér klingens balance. Se instruktionerne for afbalancering af klingene.
- ◆ Udskift klingene på plæneklipperen og spænd den godt fast.

## Knivbalance

Kontroller knivens balance (38) ved at sætte knivens midterhul over et søm eller en rund skruetrækker, der er opspændt vandret i en skruestik. Hvis en af knivens ender roterer nedad, skal der files langs den skarpe kant af den ende, der falder. Klingen er korrekt afbalanceret, hvis ingen af enderne falder.

## Smøring

Smøring er ikke nødvendigt. Smør ikke hjulene med olie. De har plastiklejer, som ikke kræver smøring.

## Rengøring

Udløs båndhåndtaget (2) for at slukke for plæneklipperen, lad klingen stoppe og fjern derefter sikkerhedsnøglen. Brug kun en mild sæbe og en fugtig klud til rengøring af plæneklipperen. Fjern alt afklip der måtte have samlet sig under dækkets underside. Kontroller, at alle udsatte fastgørelsesdele sidder fast, når du har brugt plæneklipperen nogle gange.

## Forebyggelse af korrosion

Gødning og andre havekemikalier indeholder stoffer, som øger rustdannelse på metal. Hvis du slår græs i områder, hvor der er anvendt gødning eller kemikalier, skal plæneklipperen rengøres umiddelbart efter brug som følger: Slip båndhåndtaget (2) for at slukke for plæneklipperen, og træk plæneklipperens stik ud. Tør alle udsatte dele af med en fugtig klud.

## Vedligehold

Dit BLACK+DECKER-apparat/værktøj med eller uden ledning er beregnet til brug gennem lang tid med et minimum af vedligeholdelse. Forsat tilfredsstillende drift afhænger af korrekt behandling af apparatet samt regelmæssig rengøring.

**Advarsel!** Før udførelse af nogen form for vedligeholdelse på elværktøj med/uden ledning:

- ◆ Sluk og tag apparatets/værktøjets stik ud af stikkontakten.
- ◆ Eller aflad batteriet helt, hvis det er indbygget, og sluk derefter.
- ◆ Træk opladeren ud af stikkontakten, før den rengøres. Laderen kræver ingen vedligeholdelse, men skal rengøres jævnlige.
- ◆ Rengør jævnlige værktøjets/apparatets og laderens ventilationshuller med en blød børste eller en tør klud.
- ◆ Rengør med jævne mellemrum motorhuset med en fugtig klud. Der må ikke bruges skuremidler eller opløsningsmidler.
- ◆ Brug jævnlige en uskarp skraber til at fjerne græs og snavs fra undersiden af afskærmningen.

## Problemløsning

Følg vejledningen nedenfor, hvis apparatet ikke synes at fungere korrekt. Hvis dette ikke løser problemet, bedes du kontakte det lokale BLACK+DECKER-værksted.

**Advarsel!** Udløs båndhåndtaget for at slukke for plæneklipperen, før du fortsætter, og vent til klingens stopper.

Problem	Mulig løsning
<b>Plæneklipperen virker ikke, når båndhåndtaget aktiveres.</b>	Kontroller, at plæneklipperen er korrekt tilsluttet, og at knappen på omskifterboksen trykkes helt ned, inden du trækker i båndhåndtaget.
	Slip båndhåndtaget for at slukke for plæneklipperen. Fjern sikkerhedsnøglen og batteripakken, læg plæneklipperen på siden, og kontroller, at klingens drejefrit er frit.
	Kontroller, at batteriets hulrum er fri for snavs og er korrekt tilsluttet.
	Er batteriet ladet helt op? Tryk på ladeknappen.
<b>Motoren stopper under slåning.</b>	Slip båndhåndtaget for at slukke for plæneklipperen. Fjern sikkerhedsnøglen og batteripakken, læg plæneklipperen på siden, og kontroller, at klingens drejefrit er frit.
	Forøg klippehøjden på hjulene til den højeste position, og start plæneklipperen.
	Kontroller, at batteriets hulrum er fri for snavs og er korrekt tilsluttet.
	Er batteriet ladet helt op? Tryk på ladeknappen.
<b>Plæneklipperen kører, men klippingen er utilfredsstillende.</b>	Ungå at overbelaste plæneklipperen. Sæt farten ned, eller forøg klippehøjden.
	Slip båndhåndtaget for at slukke for plæneklipperen. Træk plæneklipperens stik ud. Læg plæneklipperen på siden, og kontroller: <ul style="list-style-type: none"> <li>◆ Klingens skarphed - hold klingens skarp.</li> <li>◆ Bunden og udkastet for tilstopning.</li> </ul> Hjulhøjdejusteringen kan være indstillet for lavt i forhold til græssets tilstand. Forøg klippehøjden.
<b>Plæneklipperen er for svær at skubbe.</b>	Slip båndhåndtaget for at slukke for plæneklipperen. Træk plæneklipperens stik ud. Forøg klippehøjden for at reducere maskinens træk i græsset. Kontroller, at alle hjul drejer frit.
<b>Plæneklipperen støjer unormalt meget og vibrerer.</b>	Slip båndhåndtaget for at slukke for plæneklipperen. Træk plæneklipperens stik ud. Læg plæneklipperen på siden, og kontroller, at klingens drejefrit er frit og at klingens beskadigede dele er udskiftet. Udskift klingens med en ny fra BLACK+DECKER, hvis den er beskadiget. Hvis undersiden af plæneklipperen er beskadiget, skal den indleveres til et autoriseret BLACK+DECKER servicecenter.
	Hvis der ikke er synlige skader på klingens, men plæneklipperen stadig vibrerer: <ul style="list-style-type: none"> <li>◆ Slip båndhåndtaget for at slukke for plæneklipperen.</li> <li>◆ Træk plæneklipperens stik ud.</li> <li>◆ Afmonter hele klingsamlingen som beskrevet i afsnittet: "Demontering og montering af klinger."</li> <li>◆ Fjern alt snavs og rengør hver del.</li> <li>◆ Udskift hver del som beskrevet i afsnittet: "Demontering og montering af klinger."</li> </ul> Hvis plæneklipperen stadig vibrerer, skal den indleveres til et autoriseret BLACK+DECKER servicecenter.
	Hvis plæneklipperen stadig vibrerer, skal den indleveres til et autoriseret BLACK+DECKER servicecenter.
<b>Batteriopladerens LEDs er ikke tændt.</b>	Kontroller stikforbindelsen.
	Udskift oplader.
<b>Plæneklipperen samler ikke græsset op.</b>	Udkastet er tilstoppet. Slip båndhåndtaget for at slukke for plæneklipperen. Træk plæneklipperens stik ud. Fjern græs fra udkastet.
	Forøg klippehøjden på hjulene for at afkorte klippelængden.
	Posen er fuld. Tom posen oftere.

## Miljøbeskyttelse



Særskilt bortscaffelse. Produkter og batterier mærket med dette symbol må ikke bortscaffes sammen med normalt husholdningsaffald.

Produkter og batterier indeholder materialer, der kan genindvindes eller genanvendes, hvilket reducerer efterspørgslen efter råvarer. Genbrug venligst elektriske produkter og batterier i henhold til lokale bestemmelser. Yderligere informationer findes på [www.2helpU.com](http://www.2helpU.com)

## Tekniske data

		CLM5448PC	CLM5448PCB
Spænding	V <sub>dc</sub>	54V	54V
Ubelastet hastighed	min <sup>-1</sup>	0 - 2900	0 - 2900
Vægt	kg	26.62	24.15
Knivlængde	mm	48	48
Batteri		BL2554	Bar enhed. (Intet batteri medfølger)
Spænding	V <sub>DC</sub>	54/18v DUALVOLT	
Kapacitet	Ah	2.5	
Type		LI-Ion	
Oplader		BDC2A	Bar enhed. (Ingen oplader medfølger)
Indgangsspænding	V <sub>AC</sub>	220 - 240	
Udgangsstrøm	mA	2000mA	
Ladetid ca.	h	3.75	

Værdi for hånd/arm-vægtet vibration:  
= 4,4m/s<sup>2</sup>, usikkerhed (K) = 1,5m/s<sup>2</sup>.

L<sub>w</sub> (lydtryk) 83 dB(A)  
usikkerhed (K) = 2,5 dB(A)

## EF-overensstemmelseserklæring MASKINDIREKTIV DIREKTIV OM STØJEMISSION FRA MASKINER TIL UDENDØRS BRUG



CLM5448PC, CLM5448PCB plæneklipper

Black & Decker erklærer, at produkterne beskrevet under "Tekniske data" er i overensstemmelse med: 2006/42/EC, EN 60335-1:2012 + A11:2014, EN 60335-2-77:2010

2000/14/EF, Plæneklipper, L < 50 cm, bilag VI, DEKRA Certification B.V., Utrechtseweg 310, ED Arnhem Nederlandene Underrettet myndighed, id-nr.: 0344 Lydintensitetsniveau i henhold til 2000/14/EF (artikel 12, Annex III, L < 50cm):

L<sub>w</sub> (målt lydeffekt) 89,5 dB(A)

usikkerhed (K) = 1,2 dB(A)

L<sub>w</sub> (garanteret lydeffekt) 96 dB(A)

Disse produkter er endvidere i overensstemmelse med direktiv 2014/30/EU, 2011/65/EU. Kontakt Black & Decker på nedenstående adresse eller se vejledningens bagside for at få yderligere oplysninger.

Undertegnede er ansvarlig for udarbejdelsen af de tekniske data og fremsætter denne erklæring på vegne af Black & Decker.

R. Laverick  
Direktør for konstruktioner  
Black & Decker Europe, 210 Bath Road, Slough,  
Berkshire, SL1 3YD  
Storbritannien  
26/08/2016

## Garanti

Black & Decker er sikker på kvaliteten af sine produkter og giver forbrugerne en garanti på 24 måneder fra købsdatoen. Garantien er et tillæg til forbrugers lovmæssige rettigheder og påvirker ikke disse. Garantien er gyldig inden for medlemsstaterne af Den Europæiske Union og Det Europæiske Frihandelsområde.

Når du gør krav på garantien, skal kravet være i overensstemmelse med Black&Decker vilkår og betingelser, og du skal indsende dokumentation for købet til sælgeren eller til en autoriseret reparatør. Vilkår og betingelser for Black & Decker 2 års garanti og placeringen af dit nærmeste autoriserede serviceværksted kan fås på internettet på [www.2helpU.com](http://www.2helpU.com), eller ved at kontakte dit lokale Black & Decker kontor på den adresse, der er angivet i denne vejledning.

Besøg venligst vores websted [www.blackanddecker.co.uk](http://www.blackanddecker.co.uk) for at registrere dit nye Black & Decker produkt og modtage opdateringer om nye produkter og specielle tilbud.



**Käyttötarkoitus**

BLACK+DECKER CLM5448PC & CLM5448PCB -ruohonleikkurit on suunniteltu ruohon leikkaamiseen. Nämä laitteet on tarkoitettu vain yksityiskäyttöön.

**Turvallisuusohjeet**

**Varoitus!** Johdottomia laitteita käytettäessä on aina noudatettava asianmukaisia turvaohjeita, jotta tulipalojen, sähköiskujen, henkilövahinkojen ja materiaalivaurioiden riski olisi mahdollisimman pieni.

**Varoitus!** Laitetta käytettäessä on noudatettava turvallisuussääntöjä.

Lue tämä opas huolellisesti läpi ennen koneen käyttöä oman ja muiden turvallisuuden takia. Säilytä ohjeet myöhempää tarvetta varten.

- ◆ Lue nämä ohjeet huolellisesti ennen laitteen käyttöä.
- ◆ Käyttötarkoitus kuvataan ohjeissa. Muiden kuin ohjeissa suositeltujen lisävarusteiden tai -osien käyttö sekä laitteen käyttö muuhun kuin opassa suositeltuun tarkoitukseen voi aiheuttaa henkilövahingon vaaran.
- ◆ Säilytä tämä käyttöohje tulevaa tarvetta varten.

**Laitteen käyttö**

Ole aina huolellinen käyttäessäsi laitetta.

- ◆ Tätä laitetta ei ole tarkoitettu nuorten tai lihasvoimaltaan heikkojen henkilöiden käyttöön ilman valvontaa.
- ◆ Laitetta ei saa käyttää leluna.
- ◆ Älä anna lasten tai eläinten tulla lähelle työskentelyaluetta tai koskea laitteeseen tai virtajohtoon.

- ◆ Jos laitetta käytetään lasten läheisyydessä, on oltava tarkkaavainen.
- ◆ Soveltuu vain kuivaan käyttöympäristöön. Älä anna laitteen kastua.
- ◆ Älä upota laitetta veteen.
- ◆ Älä avaa laitteen koteloa. Sisällä ei ole mitään huollettavia osia.
- ◆ Älä käytä laitetta räjähdysalttiissa ympäristössä, jossa on syttyvää nestettä, kaasua tai pölyä.
- ◆ Älä koskaan irrota johtoa pistorasiasta johdosta vetäen. Pistoke tai johto voi vahingoittua.
- ◆ Tarkista aina katsomalla ennen käyttöä, että terät, terän pultit ja leikkuuyksikkö eivät ole kuluneet tai vahingoittuneet. Vaihda kuluneet tai vahingoittuneet terät ja pultit aina sarjoina, jotta tasapaino säilyy.
- ◆ Jotta lämpörajoin ei nollautuisi vahingossa ja vaaratilanteet vältettäisiin, tähän laitteeseen ei saa syöttää virtaa ulkoisesta kytkentälaitteesta (esim. ajastin) eikä sitä saa liittää virtapiiriin, joka kytketään säännöllisesti päälle ja pois päältä.
- ◆ Älä koskaan käytä laitetta muiden henkilöiden (erityisesti lapsien) tai eläinten läheisyydessä.
- ◆ Muista, että laitteen käyttäjä on vastuussa muille henkilöille tai omaisuudelle aiheutuneista onnettomuuksista tai vaaratilanteista.

## Ennen käyttöä

- ◆ Käytä laitteen käytön aikana aina tukevia jalkineita ja pitkiä housuja. Älä käytä laitetta avojaloin tai avonaisien sandaalien kanssa. Vältä väljien tai nahhallisten vaatteiden käyttöä.
- ◆ Tarkasta laitteen aiottu käyttöalue perusteellisesti ja poista kaikki esineet, joita laite voi heittää.
- ◆ Tarkista aina katsomalla ennen käyttöä, että terä, terän pultti ja teräyksikkö eivät ole kuluneet tai vahingoittuneet. Vaihda kuluneet tai vahingoittuneet osat aina sarjoina, jotta tasapaino säilyy. Vaihda vahingoittuneet tai lukukelvottomat tarrat.

## Käytön jälkeen

- ◆ Kun laitetta ei käytetä, säilytä sitä kuivassa, hyvin tuuletetussa paikassa poissa lasten ulottuvilta.
- ◆ Pidä laite lasten ulottumattomissa.
- ◆ Kun laitetta säilytetään tai kuljetetaan ajoneuvossa, sijoita se tavaratilaan tai kiinnitä se kunnolla, ettei se matkan aikana pääse liikkumaan.

## Tarkastus ja korjaus

- ◆ Tarkista ennen laitteen käyttöä, ettei laitteessa ole vahingoittuneita tai viallisia osia. Tarkista osien ja kytkimien kunto sekä muut seikat, jotka voivat vaikuttaa laitteen toimintaan.
- ◆ Älä käytä laitetta, jos jokin osa on vahingoittunut tai viallinen.
- ◆ Korjauta tai vaihdata vaurioituneet tai vialliset osat valtuutetussa huoltoliikkeessä.

- ◆ Älä yritä korjata tai vaihtaa muita kuin tässä käyttöohjeessa erikseen määritellyjä osia.
- ◆ Varo leikkuria säädettäessä, että sormesi eivät jää liikkuvien terien/osien ja kiinteästi asennettujen osien väliin.
- ◆ Muista teriä huollettaessa, että vaikka virtalähde on sammutettu, terät liikkuvat edelleen.

## Ruohonleikkurien lisäturvaohjeet

- ◆ Konetta ei saa kuljettaa virran ollessa päällä.
- ◆ Pidä ruohonleikkuria työntöaisasta tukevasti molemmin käsin käytön aikana.
- ◆ Jos joudut käytön aikana kallistamaan ruohonleikkuria, pidä molemmat kädet koko ajan ajoasennossa. Pidä molemmat kädet ajoasennossa niin kauan, kunnes ruohonleikkuri on jälleen normaaliasennossa.
- ◆ Älä käytä radiota tai kuulokkeita ruohonleikkurin käytön aikana.
- ◆ Älä koskaan säädä pyörien korkeutta moottorin käydessä tai turva-avaimen ollessa paikallaan kytkentäkotelossa.
- ◆ Jos ruohonleikkuri pysähtyy, sammuta leikkuri vapauttamalla kahva, odota terän pysähtymistä ennen kuin yrität avata tukoksen tai poistaa mitään kannen alta.
- ◆ Pidä kädet ja jalat poissa leikkausalueelta.
- ◆ Pidä terät terävinä. Käytä aina suojakäsineitä käsitellessäsi ruohonleikkurin terää.

- ◆ Jos käytät keräyssäiliötä, tarkista säännöllisesti, ettei se ole kulunut tai rikkoutunut. Jos keräyssäiliö on hyvin kulunut, vaihda se uuteen turvallisuuden vuoksi.
  - ◆ Ole erittäin varovainen vetäessäsi ruohonleikkuria taaksepäin itseäsi kohti.
  - ◆ Älä aseta käsiä tai jalkoja ruohonleikkurin lähelle tai sen alle.  
Pysy loitolla laitteen poistoaukosta.
  - ◆ Poista ruohonleikkurin aiotulta käyttöalueelta kivet, puunpalaset, johdot, lelut, luut ja muut esineet, jotka terä voisi heittää suurella nopeudella. Terän heittämät esineet voivat aiheuttaa vakavia henkilövahinkoja. Pysy kahvan takana moottorin käydessä.
  - ◆ Älä käytä ruohonleikkuria avoaloin tai avonaisten sandaalien kanssa. Käytä aina riittäviä turvajalkineita.
  - ◆ Älä vedä ruohonleikkuria taaksepäin, ellei se ole täysin välttämätöntä. Katso aina alas ja taaksesi ennen siirtymistä taaksepäin ja sen aikana.
  - ◆ Älä koskaan suuntaa laitteen poistoaukkoa ketään kohti. Vältä poistoaukon suuntaamista seinää tai muuta estettä kohti. Materiaalia voi kimmota takaisin käyttäjää kohti. Sammuta ruohonleikkuri ja pysäytä terä vapauttamalla työntöaisa ennen kuin ylität sorapintaisen alueen.
  - ◆ Älä käytä ruohonleikkuria, elleivät keräyssäiliö, poistoaukon suojus, takasuojus ja muut turvalaitteet ole paikoillaan ja kunnossa.
- Tarkista aika ajojen kaikki suojukset ja turvalaitteet ja varmista, että ne ovat hyvässä käyttökunnossa ja toimivat oikein. Vaihda vahingoittunut suojus tai muu turvalaite ennen laitteen käytön jatkamista.
- ◆ Älä koskaan jätä käynnissä olevaa ruohonleikkuria ilman valvontaa.
  - ◆ Pysäytä moottori vapauttamalla kahva, odota, että terä pysähtyy kokonaan, ennen kuin puhdistat ruohonleikkurin tai poistoaukon suojuksen, irrotat ruohonkeräyspussin tai kun poistut ruohonleikkurin luota tai teet säätöjä, korjauksia tai tarkastuksia.
  - ◆ Käytä ruohonleikkuria vain päivänvalossa tai hyvässä keinovalossa niin, että terän tiellä olevat esineet näkyvät selvästi ruohonleikkurin käyttöalueelle.
  - ◆ Ruohonleikkuria ei saa käyttää alkoholin tai huumeiden vaikutuksen alaisena tai väsyneenä tai sairaana. Pysy aina valppaana, tarkkaile toimenpiteitäsi ja käytä tervettä järkeä.
  - ◆ Vältä vaarallisia ympäristöjä. Älä käytä ruohonleikkuria kostealla tai märällä nurmikolla tai sateessa. Varmista aina tukeva jalansija. Kävele, älä juokse.
  - ◆ Jos ruohonleikkuri alkaa täristä epätavallisesti, vapauta kahva, odota terän pysähtymistä ja tarkista heti tärinän syy. Tärinä on yleensä merkki ongelmista.  
Tutustu vianmääritysohjeisiin saadaksesi selville syyn epätavalliseen tärinään.

- ◆ Käytä aina asianmukaisia suojalaseja ja hengityssuojainta ruohonleikkuria käyttäessäsi.
- ◆ Sellaisten lisävarusteiden tai -laitteiden käyttö, joita ei ole suositeltu käytettäväksi ruohonleikkurin kanssa, saattaa johtaa vaaratilanteeseen. Käytä vain BLACK+DECKERin hyväksymiä lisävarusteita.
- ◆ Älä kurkota ruohonleikkurin käytön aikana. Seiso aina tukevasti ja tasapainossa ruohonleikkurin käytön aikana.
- ◆ Leikkaa ruoho rinteiden korkeussuuntaan nähden poikittain, älä koskaan ylhäältä alas tai päinvastoin. Ole erityisen varovainen vaihtaessasi suuntaa rinteessä.
- ◆ Varo koloja, kumpuja, kiviä tai muita näkymättömiä esineitä. Epätasainen maasto voi aiheuttaa liukastumisen tai kaatumisen. Pitkä ruoho voi peittää esteitä.
- ◆ Älä leikkaa märkää ruohoa tai leikkaa hyvin jyrkissä rinteissä. Epävakaa asento voi aiheuttaa liukastumisen tai kaatumisen.
- ◆ Älä leikkaa nurmikko aivan kuopan, ojan tai pengerryksen lähellä. Voit menettää tasapainon tai jalka voi luistaa.
- ◆ Anna leikkurin aina jäähtyä ennen varastointia.

Vedä pistoke irti pistorasiasta ja akku koneesta. Varmista, että kaikki liikkuvat osat ovat pysähtyneet kokonaan:

- ◆ Kun jätät koneen ilman valvontaa.
- ◆ Ennen kuin aloitat tukosten puhdistamisen.

- ◆ Ennen leikkurin tarkastusta, puhdistusta, huoltoa tai säätöä.

## Muiden henkilöiden turvallisuus

- ◆ Tämä laite ei ole tarkoitettu henkilöiden (mukaan lukien lapset) käytettäväksi, joiden fyysiset, sensoriset tai henkiset kyvyt tai kokemus ja tietämys ovat rajalliset. Heidän turvallisuudestaan tulee huolehtia heistä vastuussa oleva henkilö tai paikalla tulee olla henkilö, joka neuvoo miten laitetta tulee käyttää.
- ◆ Lapsia on valvottava ja estettävä leikkimästä laitteella.
- ◆ Kun ruohonleikkuri on osunut johonkin. Tarkista laite vaurioiden varalta ja korjaa tarvittaessa.

## Muut riskit

Myös muut kuin turvavaroituksissa mainitut riskit ovat mahdollisia työkalua käytettäessä. Nämä riskit voivat liittyä muun muassa virheelliseen tai pitkäaikaiseen käyttöön.

Tiettyjä jännönsriskejä ei voi välttää, vaikka noudatat kaikkia turvamääräyksiä ja käytät turvalaitteita. Näitä ovat:

- ◆ Pyörivien tai liikkuvien osien kosketamisen aiheuttamat vahingot.
- ◆ Osia, teriä tai lisävarusteita vaihdettaessa aiheutuneet vahingot.
- ◆ Työkalun pitkäaikaisen käytön aiheuttamat vahingot. Varmista, että pidät säännöllisesti taukoja työkalun pitkäaikaisen käytön aikana.

- Kuulon heikkeneminen.
- Työkalua käytettäessä (esimerkiksi puuta, erityisesti tammea, pyökkiä ja MDF-levyjä, käsiteltäessä) syntyneen pölyn sisäänhengityksen aiheuttamat terveysriskit).
- Jos leikkurin käyttö kosteassa ympäristössä on välttämätöntä, käytä vikavirtasuojakytkintä (RCD), jonka laukaisuvirta on korkeintaan 30 mA. Tämä vähentää sähköiskun vaaraa.
- Älä koskaan nosta tai kuljeta laitetta sen moottorin ollessa käynnissä.

## Varoitusmerkit

Työkaluun on merkitty päivämääräkoodi sekä seuraavat varoitusmerkit:



Varoitus! Lue käyttöohje ennen laitteen käyttöönottoa.



Varo teräviä teriä. Terien kierto jatkuu senkin jälkeen, kun moottori on sammutettu. Poista estolaite ennen huoltoa tai jos johto on vaurioitunut.



Varo sinkoilevia esineitä. Pidä sivulliset poissa leikkausalueelta.



Käytä suojalaseja.



Terien liike jatkuu vielä hetken moottorin sammuttamisen jälkeen.



Direktiivin 2000/14/EY mukainen taattu ääniteho.

## Lisäturvaohjeet akkuihin ja akkulateihin

### Akut

- Älä koskaan yritä avata mistään syystä.
- Älä anna akun kastua.
- Älä altista akkua kuumuudelle.
- Älä säilytä paristoja tiloissa, joissa lämpötila voi nousta yli 40 °C:een.
- Lataa akku paikassa, jonka lämpötila on vähintään 10 °C ja enintään +40 °C.
- Käytä akun lataamiseen vain laitteen mukana toimitettua laturia. Väärän tyyppinen laturi voi aiheuttaa sähköiskun tai akun ylikuumenemisen.
- Noudata paristoja hävittäessäsi seuraavassa kohdassa annettuja ohjeita: ”Ympäristönsuojelu”.
- Suojaa akkua vahingoittumiselta niin, ettei sen kotelo rikkoudu eikä siihen kohdistu iskuja, sillä muutoin voi syntyä henkilövahinkojen ja tulipalon vaara.
- Älä lataa viallisia akkuja.
- Vaativissa oloissa voi ilmetä paristovuotoja. Jos havaitset akkujen pinnalla nestettä, pyyhi se huolellisesti pois. Vältä ihokosketusta.
- Jos nestettä joutuu silmiin tai iholle, noudata alla olevia ohjeita.

**Varoitus!** Akkuneste voi aiheuttaa aineellisia vahinkoja tai henkilövahinkoja. Jos nestettä joutuu iholle, se on välittömästi huuhdeltava pois vedellä.

Jos ihoa kirvelee tai se punottaa tai on muuten ärtynyt, kysy lisäohjeita lääkäriä. Jos nestettä joutuu silmiin, huuhto välittömästi puhtaalla vedellä ja mene lääkäriin.



Älä koskaan yritä ladata viallisia akkuja.

## Laturi

Laturi on tarkoitettu tietylle jännitteelle. Tarkista aina, että verkkojännite vastaa arvokilvessä ilmoitettua jännitettä.

**Varoitus!** Älä yritä vaihtaa laturiin tavallista verkkovirran pistoketta.

- ◆ Käytä Black & Deckerin laturia vain laitteen/työkalun mukana toimitetun akun lataamiseen. Muut akut voivat räjähtää ja aiheuttaa henkilövahinkoja tai aineellisia vahinkoja.
- ◆ Älä koskaan yritä ladata paristoja, joita ei ole tarkoitettu ladattavaksi.
- ◆ Jos virtajohto vahingoittuu, sen vaihtaminen on turvallisuussyistä jätettävä valmistajan tai valtuutetun Black & Decker -huollon tehtäväksi.
- ◆ Suojaa laturi vedeltä.
- ◆ Älä avaa laturia.
- ◆ Älä työnnä mitään laturin sisään.
- ◆ Lataa laite/työkalu/akku paikassa, jossa on kunnollinen ilmanvaihto.



Laturi on tarkoitettu ainoastaan sisäkäyttöön.



Lue käyttöohjeet huolellisesti ennen laitteen käyttöä.

**Tärkeää:** lataa 54V akut BL1554 & BL2554 ainoastaan seuraavilla latureilla: 90589867, 90621477, 90590287-01, 90590289-01, 90602042-01, 90590287-02, 90590289-02, 90599854-02, 90599854-06, 90599853-05, 90634971, 90634972, 90634973, 90642266, 90642264, 90642265, BDC2A

## Sähköturvallisuus



Laturi on kaksoiseristetty.

Se ei täten vaadi maajohtoa.

Tarkista aina, että verkkojännite vastaa arvokilvessä ilmoitettua jännitettä. Älä yritä vaihtaa laturiin tavallista pistoketta.

- ◆ Jos virtajohto on vaurioitunut, se tulee turvallisuussyistä viedä valmistajalle tai valtuutettuun Black & Decker -huoltopalveluun vaihtoa varten.

## Yleiskuvaus

Tässä laitteessa on kaikki tai joitakin seuraavista ominaisuuksista.

1. Kytinkotelo
2. Työntöaisa
3. Yläkahva
4. Alakahva
5. Yläkahvan kiinnitysvivut (2)
6. Alakahvan kiinnitysvivut (2)
7. Leikkauskorkeuden säätövipu
8. Keräyspussi
9. Takaluukun kansi
10. Käyttöpaneeli
11. POWERCOMMAND-akkukytin
12. Akkuportin kansi
13. Kantokahvat
14. EdgeMax™

## Lataaminen

BLACK+DECKER-laturit on tarkoitettu BLACK+DECKER-akkujen lataamiseen.

- ◆ Yhdistä laturi sopivaan pistorasiaan ennen kuin laitat siihen akun.
- ◆ Aseta akku laturiin.



Vihreä LED-merkkivalo vilkkuu käynnissä olevan latauksen merkiksi.



Kun lataus on valmis, vihreä LED-valo jää palamaan jatkuvasti. Akku on täysin ladattu ja sitä voidaan käyttää heti tai sen voi jättää laturiin.

**Varoitus!** Lataa tyhjenneet akut mahdollisimman pian käytön jälkeen, muutoin akun käyttöikä voi lyhentyä.

### Laturin vianmääritys

Tämä laturi on tarkoitettu havaitsemaan joitakin akkuun tai virtalähteesen liittyviä ongelmia. Ongelmista ilmoittaa yksi eri tahtiin vilkkuva LED-merkkivalo.

### Huonokuntoinen akku



Laturi voi havaita heikkokuntoisen tai vaurioituneen akun.

Punainen LED-merkkivalo vilkkuu merkissä ilmoitetulla tavalla. Jos näet tämän heikosta akun kunnosta ilmoittavan vilkkumisen, lopeta akun lataus.

Vie se huoltopalveluun tai kierrätyspisteeseen.

### Akun kuuma-/kylmäviive



Kun laturi tunnistaa liian kuuman tai kylmän akun, se käynnistää automaattisesti akun kuuma-/kylmäviiveen, jolloin lataus käynnistyy vasta sitten, kun akku on saavuttanut oikean lämpötilan.

Tämän jälkeen laturi kytketty automaattisesti akun lataustilaan. Tämä toiminto takaa akun maksimaalisen käyttöiän. Punainen LED-merkkivalo vilkkuu merkissä ilmoitetulla tavalla, kun kuuma-/kylmäviive on havaittu.

### Tärkeitä huomautuksia lataamiseen

- ◆ Pisin käyttöikä ja paras suorituskyky saavutetaan, kun akua ladataan lämpötilassa 16 °C - 27 °C (60 °F - 80 °F).
- ◆ ÄLÄ lataa akua alle +4,5 °C (+40 °F) tai yli +40,5 °C (+105 °F) lämpötilassa. Tämä on tärkeää ja se estää akun vakavat vauriot.
- ◆ Laturi ja akku voivat kuumentua latauksen aikana. Tämä on normaalia, eikä ole osoitus ongelmasta. Jotta akku jäähtyisi käytön jälkeen, vältä asettamasta laturia tai akua lämpimään ympäristöön, kuten metallikoteloon tai eristämättömän perävaunun päälle.
- ◆ Jos akku ei lataudu oikein:
  - ◆ Tarkista pistorasian sähkövirta kytkemällä siihen lamppu tai jokin muu laite.
  - ◆ Tarkista valojen sammuttamisen yhteydessä virran katkaisevaa valokytintä liitetty pistorasiaan.
  - ◆ Siirrä laturi ja akku paikkaan, jossa ympäristölämpötila on noin 16 °C - 27 °C (60 °F - 80 °F).

- ◆ Jos latausongelmat jatkuvat, vie työkalu akun ja laturin ohella paikalliseen huoltopalveluun.
- ◆ Akku täytyy ladata uudelleen, kun se ei enää tuota riittävää tehoa töissä, joka voitiin aikaisemmin tehdä helposti. ÄLÄ JATKA TYÖKALUN KÄYTTÖÄ näissä olosuhteissa. Noudata latausohjeita. Voit halutessasi myös ladata osittain käytetyn akun milloin tahansa, ilman että siitä olisi haittaa akulle.
- ◆ Vieraat johtavat aineet, kuten teräsvilla, alumiinifolio tai metallihiukkaskertymät, niihin kuitenkin rajoittumatta, on pidettävä poissa laturin aukoista. Irrota laturi aina tehonsyötöstä, kun laturissa ei ole akkua. Irrota laturi tehonsyötöstä ennen kuin yrität puhdistaa sitä.
- ◆ Älä pakasta tai upota laturia veteen tai muihin nesteisiin.

**Varoitus!** Älä päästä nestettä laturin sisään.

**ÄLÄ KOSKAAN YRITÄ AVATA AKKUYKSIKÖÖ MISTÄÄN SYYSTÄ. JOS AKUN MUOVIKOTELO RIKKOUTUU TAI HALKEAA, PALAUTA SE HUOLTOPALVELUUN KIERRÄTYSTÄ VARTEN.**

### Akun varaustilan merkkivalo

Akussa on varaustilan merkkivalo. Voit tarkistaa sen avulla akun nykyisen varaustilan, latauksen tai käytön aikana. Se ei osoita työkalun toiminnallisuutta ja se voi vaihdella tuoteosien, lämpötilan ja loppukäyttäjän käytön mukaan.

### Varaustilan tarkistaminen:

- ◆ Tarkista varaustila painamalla painiketta (A1).
- ◆ Kolme LED-merkkivaloa (A2) syttyy ilmoittamaan akun lataustilan prosenttilukuna. Katso taulukon kuva A.
- ◆ Jos LED-merkkivalo ei syty, lataa akku.

### Akun asentaminen ja poistaminen

**Varoitus!** Varmista, että turva-avain on irrotettu, ettei laite voi käynnistyä ennen akun poistamista tai asentamista.

### Akkujen asentaminen:

- ◆ Nosta akkuportin kansi (12) ylös päästäksesi akkuporttiin (15).
- ◆ Liu'uta akku (16) akkukoteloon, kunnes se on täysin paikoillaan ja kuulet napsahduksen (kuva B). Varmista, että akku on kokonaan paikoillaan ja lukittu paikoilleen. Toista toimenpide toisen akkuportin kohdalla.
- ◆ Sulje akkuportin kansi. Varmista, että kansi on lukittunut hyvin ennen leikkurin käynnistämistä.

### Akkujen poistaminen:

- ◆ Avaa akkuportin kansi (12) yllä kuvatulla tavalla.
- ◆ Paina akun vapautuspainiketta (16a) akussa ja vedä akku irti kuvan C mukaisesti.

## POWERCOMMAND-akun valitseminen

**Varoitus!** Varmista, että turva-avain on irrotettu, ettei laite voi käynnistyä ennen käytössä olevan akun valitsemista. Leikkurissa on POWERCOMMAND-akun valintapainike (11). Sen avulla voidaan pidentää käyttöaikaa. Paina akun valintapainiketta (kuva D) vasemmalle tai oikealle.

- ◆ Merkillä "1" merkitty puoli aktivoi vasemmanpuoleisen akkuportin.
- ◆ Merkillä "2" merkitty puoli aktivoi oikeanpuoleisen akkuportin.

**Huomautus:** Leikkuria voidaan käyttää yhdellä akulla, jos kytkin on oikeassa asennossa.

## Käytössä oleva akku, varauksen merkivalot

**Huomautus:** Varauksen tila näkyy ainoastaan silloin, kun akku on asetettu paikoilleen tai leikkuri on kytketty toimintaan tai kun yksittäistä akkua käytetään ja se yhdistetään kytkimellä leikkurin käyttämiseksi.

Tässä leikkurissa varauksen merkivalot sijaitsee käyttöpaneelin (10) alaosassa. Se osoittaa käytössä olevan akkuportin ja akun nykyisen varaustason. Kun akku on asennettu akkuportteihin, kolme varauksen LED-merkkivalo syttyy 3 sekunnin ajaksi osoittaen akun nykyisen varaustason, minkä jälkeen ne sammuvat. Valitun käytössä olevan akun nykyinen varaustaso näkyy leikkurin ollessa käytössä.

- ◆ Kaikki käyttöpaneelin (10) LED-merkkivalot syttyvät väliaikaisesti leikkurin ensimmäisellä käynnistyskerralla.
- ◆ Käyttöpaneelin LED-merkkivalot sammuvat käyttämättömän akun puolella.
- ◆ Käyttöpaneelin LED-merkkivalot jäävät palamaan käytössä olevan akun puolella LED (17) ja kolme varaustason LED-merkkivalo (18) osoittavat akun varaustason prosentteina. (Katso taulukon kuva A).
- ◆ Jos mikään LED-merkkivalo ei syty käytössä olevan akun kohdalla, käännä akun valintakytkin (11) käyttämättömän akun puolelle. Jos mikään akun LED-merkkivaloista ei syty, lataa akku.

**Huomautus:** Turva-avain on kytkettävä, jotta kaikki kuvatut LED-merkkivalot ja kytkinnoimet toimivat.

## DUALVOLT 54V -akku (kuva C1.)

Dualvolt 54V -akku voidaan käyttää akkutoimisissa 54V ja 18V Black+Decker -työkaluissa. Akku tunnistaa työkalun, johon se on kytketty, ja se toimii vastaavalla teholla pitemmän käyttöajan varmistamiseksi 18V työkaluissa. Varaustason painike (16b) ilmoittaa varaustason malleissa 54V ja 18V.

## Asennus

**Varoitus!** Varmista ennen osien kokoamista, että työntöaisan kahva on vapautettu ja että turva-avain on irrotettu.

## Alakahvan kiinnittäminen

- ◆ Nosta alakahva (4) paikoilleen ja varmista, että leikkurin kannassa oleva nuoli (19) kohdistuu kahvan (20) kannassa olevaan numeroon 1, 2 tai S (kuva F).

**Huomautus!** Varmista, että alakahvan molemmat puolet on asetettu samaan numeroon. Nuolen tulee kohdistua numeroon 1 tai 2 käyttöä varten.

- ◆ Sulje kahvan korkeudensäätövivut (6) kuvan F mukaisesti. Varmista sulkemisen aikana, että hampaat ovat kiinnityneet kuvan G mukaisesti.
- ◆ Jos kahvan ja vivun välinen liitäntä on liian kireä tai löysä, avaa vipu ja säädä vivun syvyyttä vipua kiertämällä. Sulje se uudelleen, kunnes hampaat kiinnittyvät kokonaan ja kukin vipu pysyy hyvin suljettuna.

## Yläkahvan kiinnittäminen (kuva H)

Yläkahvassa on kolme eri asennuspaikan reikää (21) kahvan pituuden säätämiseksi kannasta. Ensimmäinen ryhmä reikiä yläkahvan putken alaosaan lähellä mahdollistaa kahvan maksimipituuden. Keskeillä ja yläosassa olevat asennusreiät mahdollistavat kahvan pituuden lyhentämisen.

- ◆ Poista yläkahvan kiinnitysvivut (5), mutterit (22) ja aluslaatat (23) kahvasta.
- ◆ Kohdista yläkahvan (3) alaosaan reiät alakahvan (4) yläosassa oleviin reikiin.

**Huomautus:** Varmista, että johto sijaitsee molempien kahvojen edessä kuvan I mukaisesti. Muussa tapauksessa johto voi mennä sekaisin ja leikkurin asettaminen säilöön voi olla vaikeampaa.

- ◆ Liu'uta vivun pultti reikien läpi yläkahvan (3) ulkopuolelta.
- ◆ Liu'uta aluslaatta vivun pulstin yli ja asenna koko kokoonpano löysästi mutterilla.
- ◆ Kierrä yläkahva käyttöasentoon.
- ◆ Sulje vipu. Jos se on liian kireällä tai löysällä, avaa vipu ja mutteri kiinnityksen säätämiseksi. Tarkista vivut sulkemalla ne. Niiden on oltava riittävän kireällä niin, että kahvat pysyvät paikoillaan, ja samalla riittävän löysällä, jotta vivut voidaan sulkea kokonaan. Säädä avaamalla vipu ja kääntämällä mutteria, kunnes kahvat ovat paikoillaan.

## Moottorin kaapelin kiinnittäminen (kuva I)

**Varoitus:** Kiinnitä kaapeli niin, ettei se veny tai jää puristuksiin kahvojen liitososiin käytön tai taittamisen aikana. Muutoin johto voi vaurioitua.

Moottorin kaapeli tulee asentaa kahvoihin kaapelipidikkeillä, jotka on jo kiinnitetty kahvaan.

Kaapelin kiinnittäminen kahvaan:

- ◆ Aseta kahvat käyttöasentoon, katso osio "Alakahvan kiinnittäminen".
- ◆ Vie kaapeli ala- ja yläkahvojen etuosan yli.
- ◆ Vedä kaapelikiinnitin taaksepäin.



- ◆ Liu'uta moottorin kaapeli kiinnittimen alapuolelta ja varmista, että kiinnitin pitää sen hyvin paikoillaan.

### Pussin asentaminen

**Varoitus:** Poista avain ja akut ennen sivulla olevan ruohonpoistokappaleen ja silppuamiskappaleen irrottamista tai takaluukun kannta avatessa ja pussia asentaessa.

- ◆ Varmista, että ruohonpoistokappale sivulla (26) (kuva M) ja silppuamiskappale (27) (kuva L) on irrotettu leikkurista ennen pussin asentamista.
- ◆ Nosta takaluukun kansi (9) ja aseta ruohonkeräysspussi (8) leikkuriin niin, että pussin koukut (28) ovat kielekkeiden (29) varassa kuvan K mukaisesti. Laske sen jälkeen takaluukun kansi alas.

### Silppuaminen

**Varoitus!** Poista avain ja akut ennen sivulla olevan ruohonpoistokappaleen ja keräysspussin irrottamista ja silppuamiskappaleen asentamista.

- ◆ Varmista, että ruohonpoistokappale sivulla (26) ja keräysspussi (8) on irrotettu.
- ◆ Nosta takaluukun kansi (9) ja liu'uta silppuamisosa (27) kokonaan leikkuriin kuvan L mukaisesti.
- ◆ Varmista, että takaluukun kansi sulkeutuu kokonaan ennen leikkurin käynnistämistä.

### Poisto sivulle

**Varoitus!** Poista avain ja akut ennen keräysspussin poistamista ja silppuamisosaa sekä sivulla olevaa ruohonpoistokappaleita asentaessa.

- ◆ Varmista, että keräysspussi (8) on poistettu.
- ◆ Nosta takaläppää (9) ja liu'uta silppuamisosa (27) kokonaan leikkuriin kuvan L mukaisesti.
- ◆ Nosta sivuläppää (30) ja kiinnitä ruohonpoistokappale sivulle (26) leikkuriin kuvan M mukaisesti.
- ◆ Vapauta sivuläppä ja varmista, että osa pysyy paikoillaan ennen leikkurin käynnistämistä kuvan M mukaisesti.

### Käyttö

Tämä ohjekirja tulee lukea ennen leikkurin käyttämistä. Lue "Yleiskuvaus" tutustuaksesi ohjaimien sijaantiin ja säätöihin. Säilytä käyttöohjeet myöhempiä käyttöä varten.

**Varoitus!** Anna leikkurin käydä omaan tahtiinsa. Älä ylikuormita sitä.

**Varoitus!** Terävä pyörivä terä. Älä käytä leikkuria ruohonpoisto- tai silppuamistilassa, jos jousi ei lukitse takaluukua. Muutoin seurauksena voi olla vakaviakin vammoja. Vie leikkuri lähimpään huoltoliikkeeseen korjattavaksi.

### Kahvan korkeuden säätäminen (kuva N)

- ◆ Avaa molemmat alakahvan kiinnitysviivat (6).

- ◆ Säädä kahvaa niin, että leikkurin kannassa oleva nuoli (19) kohdistuu kahvan (20) kannassa olevaan numeroon 1 tai 2. Varmista, että kahva on asetettu saman numeron kohdalle leikkurin molemmilla puolilla.
- ◆ Sulje molemmat viivat ja varmista, että kahva on kiinnitetty hyvin ja hampaat ovat kytkettyneet kuvan mukaisesti.

### Leikkauskorkeuden säätäminen (kuva O)

Leikkauskorkeutta säädetään keskitetyn korkeudensäätöviivulla. Valittavissa on seitsemän asentoa.

**Huomautus:** Jos et ole varma leikkauskorkeudesta, aloita leikkaus korkeudensäätöviivun (7) asennossa 7 ja säädä korkeutta tarvittaessa kuvan O mukaisesti.

Leikkauskorkeuden säätäminen:

- ◆ Vedä leikkurin korkeudensäätövipu (7) pois lukitusurasta (31).
- ◆ Siirrä vipua laitteen takaosaa kohti, jos haluat lisätä leikkauskorkeutta.
- ◆ Siirrä vipua laitteen etuosaa kohti, jos haluat laskea leikkauskorkeutta.
- ◆ Työnnä korkeudensäätövipu johonkin seitsemästä korkeusasennosta.

### Turva-avain

Voit estää langattoman leikkurisi käynnistymisen vahingossa tai luvattoman käytön irrotettavalla turva-avaimella (32), joka kuuluu leikkuriin. Ruohonleikkurisi on kokonaan pois käytöstä, kun turva-avain on irrotettu leikkurista.

**Huomautus:** Turva-avaimen keskellä on reikä, jotta se voidaan ripustaa säilöön lasten ulottamattomissa olevaan paikkaan. Avainta ei saa sitoa leikkuriin.

**Varoitus!** Pyörivät terät voivat aiheuttaa vakavia vammoja. Henkilövahinkojen välttämiseksi turva-avain tulee irrottaa, kun laite jätetään ilman valvontaa tai kun leikkuria ladataan, puhdistetaan, huolletaan, kuljetetaan, nostetaan tai varastoidaan.

### Leikkurin käynnistäminen

**Varoitus!** Terävä pyörivä terä. Älä koskaan yritä ohittaa tämän kytkinkotelon toimintaa, koska seurauksena voi olla vakavia vammoja.

**Huomautus:** Leikkuria voidaan käyttää, kun akku ja turva-avain on asennettu.

- ◆ Aseta turva-avain (32) kytkinkoteloon (1), kunnes se on kokonaan kotelon sisällä kuvan P mukaisesti. Leikkuri on nyt käyttövalmis.
  - ◆ Tässä ruohonleikkurissa on erityinen kytkinrasia. Käytä ruohonleikkuria painamalla painiketta (33) kytkinkotelossa (1), vedä sitten työntöaisa (2) ohjaustankoon kuvan Q mukaisesti. Vapauta painike, kun leikkuri käynnistyy.
  - ◆ Voit sammuttaa leikkurin vapauttamalla työntöaisan.
- Varoitus!** Älä koskaan yritä lukita kytkintä tai työntöaisaa (2) käyttöasentoon.

**Huomautus:** Alkuasentoon palautuessaan työntöaisa aktiivoi ”automaattisen jarrutusmekanismin”. Moottorissa on sähköinen jarru, joka pysäyttää terän pyörimisen kolmen sekunnin kuluessa.

### Leikkurin ylikuormitus

Jotta ylikuormittamisen aiheuttamilta vaurioilta vältyttäisiin, älä yritä poistaa liikaa ruohoa yhdellä kertaa. Hidasta vauhtia tai nosta leikkauskorkeutta.

### EdgeMax™

EdgeMax™ (14) -osan avulla voit leikata ruohon myös aivan seinän tai aidan vierestä (kuva R1).

EdgeMax™-osan avulla voit leikata ruohon tarkasti nurmikon reunaan asti (kuva R2).

- ◆ Kun ruohonleikkuri on samansuuntaisesti ruohon reunaan nähden, työnnä ruohonleikkuria ruohon reunaan pitkin. Varmista, että EdgeMax™ on hiukan ruohon reunan yli (kuva R2).

**Huomautus:** Kun ruohonpoistokappale on asennettu sivulle, EdgeMax™-osaa voidaan käyttää vain leikkurin vasemmalla puolella.

### Säilytys

**Varoitus!** Pyörivä terä voi aiheuttaa vakavia vammoja.

Sammuta ruohonleikkuri vapauttamalla työntöaisa (2), irrota turva-avain ja akku ennen ruohonleikkurin nostoa, siirtoa tai varastointia. Säilytä kuivassa paikassa.

**Varoitus!** Vältä puristumisvammat pitämällä sormet pois kahvojen väliseltä alueelta, kun kahvoja taitetaan alas.

**Varoitus!** Varmista, ettei johto veny tai jää puristuksiin kahvojen liitososiin taittamisen aikana. Muutoin johto voi vaurioitua. Leikkurin kahva voidaan taittaa helposti alas nopeaa ja kätevää säilytystä varten.

- ◆ Pidä kahvasta kiinni, avaa alakahvan kiinnitysvivut (6) niitä kuitenkaan poistamatta, taita kahva leikkurin etuosaan kuvan S mukaisesti.
- ◆ Säädä kahvaa niin, että leikkurin kannassa oleva nuoli (19) kohdistuu merkkiin ”S” (20). Varmista, että kahva on asetettu samaan kohtaan leikkurin molemmilla puolilla.
- ◆ Sulje molemmat kahvat ja varmista, että kahva on kiinnitetty hyvin.
- ◆ Avaa yläkahvan kiinnitysvivut (5) niitä kuitenkaan poistamatta, taita yläkahva (3) takaisin alakahvan (4) päälle kuvan T mukaisesti.
- ◆ Leikkuri tulee asettaa kokoon kuvan U mukaisesti.

### Leikkurin kantaminen

- ◆ Ruohonleikkuria voidaan kantaa kätevästä kantokahvoista (13) kuvan V mukaisesti. ÄLÄ yritä nostaa leikkuria tarttumalla yläkahvasta (3) tai alakahvasta (4).

### Ruohonleikkausvinkkejä

**Varoitus!** Tarkasta aina ruohonleikkurin suunniteltu käyttöalue ja poista siitä kivet, puunpalaset, johdot, luut ja muut esineet, joita leikkurin pyörivä terä voi singota.

**Varoitus!** Leikkaa ruoho rinteessä poikittain, ei ylhäältä alas tai päinvastoin. Ole erityisen varovainen vaihtaessasi suuntaa rinteessä. Älä työskentele liian jyrkissä rinteissä. Varmista aina tukeva asento.

- ◆ Sammuta ruohonleikkuri vapauttamalla työntöaisa, ennen kuin ylität sorapintaisen alueen (jotta pyörivä terä ei lennättäisi kiviä).
- ◆ Aseta leikkauskorkeus ylämpään asentoon, jos maasto on hyvin epätasaista tai heinikko pitkää. Jos ruohoa leikataan kerralla liikaa, moottori ylikuormittuu ja pysähtyy. Katso vianimääritsohjeita.
- ◆ Jos ruohonkeräyspussia (8) käytetään ruohon nopeimalla kasvukaudella, ruohosilppu voi vähitellen tukkia poistoaukon. Sammuta ruohonleikkuri vapauttamalla työntöaisa ja irrota turva-avain. Irrota ruohonkeräyspussi ja ravista ruohosilppu pussin perälle. Puhdista myös poistoaukon reunoiille pakkautunut ruohosilppu. Vaihda ruohonkeräyspussi.
- ◆ Jos ruohonleikkuri alkaa tärisemään poikkeavasti, vapauta työntöaisa leikkurin sammuttamiseksi ja irrota turva-avain. Tarkista välittömästi tärinän syy. Tärinä on merkki ongelmasta. Älä käytä ruohonleikkuria, ennen kuin huoltotarkastus on tehty. Käytä apuna käyttöoppaan vianimääritsohjeita.
- ◆ Sammuta ruohonleikkuri vapauttamalla työntöaisa aina, kun ruohonleikkuri jää valvomatta vähäksikin aikaa.

### Vinkkejä parhaimman tuloksen saavuttamiseksi

- ◆ Hidasta vauhtia paikoissa, joissa ruoho on tavanomaista pidempää tai paksumpaa.
- ◆ Vältä leikkaamasta ruohoa, kun ruoho on märkää tai kosteaa.
- ◆ Leikkaa ruoho säännöllisesti, erityisesti nopeimman kasvukauden aikana.

**Huomautus:** Leikkuri on suositeltavaa ladata uudelleen käytön jälkeen akun käyttöäin maksimoimiseksi.

Akun tiheä lataus ei heikennä akun kuntoa. Lataamalla sen usein varmistat, että akku on ladattu täyteen ja valmis käytettäväksi. Jos akkua säilytetään täyteen lataamattomana, akun käyttöikä lyhenee.

### Terän irrotus ja asennus

**Varoitus!** Varmista teräjärjestelmän asentamisen aikana, että osat on asennettu oikein alla olevien ohjeiden mukaisesti.

Terän tai muiden teräjärjestelmän osien virheellinen asennus voi johtaa vakaviin henkilövahinkoihin.

**Varoitus!** Sammuta ruohonleikkuri vapauttamalla työntöaisa, odota kunnes terä pysähtyy ja irrota sitten leikkuri virtalähteestä.

- ◆ Leikkaa 2x4 puukappaletta (34) (pituus noin 610 mm), jotta terä pyörisi pultin (35) irrottamisen aikana.
- ◆ Käytä käsineitä ja suojalaseja.
- ◆ Käännä ruohonleikkuri kyljelleen. Varo leikkurin terävää terää. Aseta puukappale paikoilleen ja irrota pultti 13 mm:n avaimella (36) kuvan W mukaisesti.
- ◆ Huomaa kunkin osan suunta irrottamisen aikana. Irrota pultti (35) ja aluslaatta (37). Vedä terä (38) irti kuvan X mukaisesti. Puhallinta (39) ei saa poistaa. Tarkista kaikkien osien kunto ja vaihda tarvittaessa.
- ◆ Terä voidaan kiinnittää vain puhaltimen yhdessä suunnassa. Asenna osat takaisin kohdistamalla D-muotoinen terän reikä D-muotoiseen puhaltimen tappeen, Varmista, että terän pintojen kirjoitus osoittaa leikkurista pois päin.
- ◆ Kiristä se asettamalla puukappale kuvan Y mukaisesti, jotta terä pyörisi. Liu'uta pultti aluslevyn läpi ja kiristä pultti kiertämällä sitä myötäpäivään 13 mm:n avaimella (36) kuvan Y mukaisesti.

## Terän teroittaminen

Terävä terä leikkaa ruohoa parhaiten. Tylysä terä ei leikkaa ruohoa siististi. Käytä suojalaseja, kun irrotat, teroitat ja kiinnität terää. Varmista, että turva-avain ja akku on irrotettu.

Normaalioloissa yleensä riittää, kun terä teroitetaan kaksi kertaa kesässä.

Hiekka tylsyyttää terän nopeasti. Jos ruoho kasvaa hiekkamaassa, terää voi joutua teroittamaan useammin.

**Huomautus:** Vaihda vääntyneen tai vahingoittuneen terän tilalle uusi. Terän teroittamisessa huomioitavaa:

- ◆ Varmista, että terän tasapaino säilyy.
- ◆ Säilytä terän alkuperäinen teroituskulma.
- ◆ Teroita leikkaavat kohdat terän molemmin puolin ja poista metallia saman verran molemilta puolilta.

## Terän teroittaminen ruuvipenkissä (kuva V)

- ◆ Varmista aina ennen terän irrottamista, että työntöaisa on vapautettu, terä on pysähtynyt ja leikkuri on irrotettu virtälähteestä.
- ◆ Poista terä ruohonleikkurista. Lue terän asennus- ja irrotusohjeet.
- ◆ Kiinnitä terä (38) ruuvipenkkiin (40).
- ◆ Käytä asianmukaisia suojalaseja ja suojakäsineitä ja varo teräviä reunoja.
- ◆ Viilaa terän leikkauspinnat hienolla viilalla (41) tai hiomakivellä. Säilytä alkuperäinen leikkauskulma. Tarkista terän tasapaino. Katso terän tasapainutusohjeet.
- ◆ Vaihda leikkurin terä ja kiristä hyvin.

## Terän tasapainotus

Tarkista terän (38) tasapaino asettamalla terän keskellä oleva reikä naulaan tai pyöreään ruuviavaimen, joka on kiinnitetty ruuvipenkkiin vaaka-asentoon. Jos jokin terän pää pyörii alaspäin, viilaa laskevan pään terävää reunaa.

Terä on tasapainotettu, kun kumpikaan pää ei painu alas.

## Voiteleminen

Voitelu ei ole tarpeen. Älä voitele pyöriä. Niiden muoviset laakeripinnat eivät vaadi voitelua.

## Puhdistaminen

Vapauta työntöaisa (2) leikkurin kytkemiseksi pois päältä, anna terän pysähtyä ja poista turva-avain. Käytä ruohonleikkurin puhdistamiseen vain mietoa pesuainetta ja kosteaa kangasta. Irrota alustan alapintaan mahdollisesti tarttunut leikkujäte. Tarkista useiden käyttökertojen jälkeen kiinnikkeiden pitävyyys.

## Korroosion estäminen

Lannoitteet ja muut puutarhakemikaalit sisältävät aineita, jotka nopeuttavat metallien korroosiota. Jos ruohonleikkurin käyttöalueelle on levitetty lannoitteita tai kemikaaleja, ruohonleikkuri on puhdistettava heti käytön jälkeen seuraavasti: Vapauta työntöaisa (2) leikkurin kytkemiseksi pois päältä ja irrota leikkuri virtälähteestä. Pyyhi lannoitteelle altistuneet osat kostealla rievulla.

## Huolto

Verkkojohdolla varustettu tai verkkojohdoton BLACK+DECKER-laite on suunniteltu toimimaan mahdollisimman kauan mahdollisimman vähällä huollolla. Oikealla huollolla ja säännöllisellä puhdistuksella työkalu/laite säilyttää suorituskykynsä.

**Varoitus!** Ennen verkkojohdolla varustetun tai verkkojohdoton sähkötökalun huoltoa toimi seuraavasti:

- ◆ Sammuuta laite/työkalu ja irrota se verkkovirrasta.
- ◆ Jos akku on ehjä, käytä akku täysin loppuun ja sammuta laite sitten.
- ◆ Irrota laturi pistorasiasta ennen laturin puhdistamista. Laturi ei tarvitse säännöllisen puhdistamisen lisäksi mitään muuta huoltoa.
- ◆ Puhdista työkalun, laitteen ja laturin ilma-aukot säännöllisesti pehmeällä harjalla tai kuivalla kangasliinalla.
- ◆ Puhdista moottorikotelo säännöllisesti kostealla liinalla. Älä käytä hankaavia tai liuotinpohjaisia puhdistusaineita.
- ◆ Poista ruoho ja lika suojuksen alta säännöllisesti työpäällä kaapimella.

## Vianetsintä

Jos laite ei näytä toimivan oikein, noudata seuraavia ohjeita. Jos tämä ei auta, ota yhteys paikalliseen BLACK+DECKER-huoltoiliikkeeseen.

**Varoitus!** Ennen jatkamista sammuta ruohonleikkuri vapauttamalla työntöaisa ja odota kunnes terä pysähtyy.

Ongelma	Mahdollinen ratkaisu
Ruohonleikkuri ei toimi, kun työntöaisan kahva on aktiivitu.	Tarkista, että leikkuri on kytketty oikein sähköverkkoon ja että kytkintokotelon painike on painettu kokonaan alas ennen työntöaisan vetämistä. Sammuta ruohonleikkuri vapauttamalla työntöaisa. Irrota turva-avain ja akku, käännä ruohonleikkuri kyljelleen ja tarkista, että terä pääsee pyörimään esteettä. Tarkista, että akkukotelo on puhdas ja että akku on kiinnitetty kunnolla. Onko akku on täysin latautunut? Tarkista varaustila painamalla painiketta.
Moottori pysähtyy kesken käytön.	Sammuta ruohonleikkuri vapauttamalla työntöaisa. Irrota turva-avain ja akku, käännä ruohonleikkuri kyljelleen ja tarkista, että terä pääsee pyörimään esteettä. Nosta leikkauskorkeus ylimmälle tasolle ja käynnistä ruohonleikkuri. Tarkista, että akkukotelo on puhdas ja että akku on kiinnitetty kunnolla. Onko akku on täysin latautunut? Tarkista varaustila painamalla painiketta. Vältä ylikuormittamista leikkuria. Hidasta vauhtia tai nosta leikkauskorkeutta.
Leikkuri toimii, mutta leikkaustulos on heikko.	Sammuta ruohonleikkuri vapauttamalla työntöaisa. Irrota leikkuri virtalähteestä. Käännä ruohonleikkuri kyljelleen ja tee seuraavat tarkistukset: ♦ Terän kunto. Pidä terä aina terävänä. ♦ Leikkurin alaosan ja poistoaukkoon mahdollisesti kertynyt ruohosilppu. Leikkaustaso on ehkä säädetty olosuhteisiin nähden liian alas. Nosta leikkaustasoa.
Ruohonleikkuri on raskas työntää.	Sammuta ruohonleikkuri vapauttamalla työntöaisa. Irrota leikkuri virtalähteestä. Nosta leikkaustasoa, jotta ruohon vastus vähenee. Tarkista kaikkien pyörien esteetön pyörintä.
Ruohonleikkuri on normaalia äänekkäämpi ja ärisee.	Sammuta ruohonleikkuri vapauttamalla työntöaisa. Irrota leikkuri virtalähteestä. Käännä ruohonleikkuri kyljelleen ja tarkista, ettei terä ole väännyt tai muuten vahingoittunut. Jos terä on vahingoittunut, vaihda sen tilalle BLACK+DECKERin vaihtoterä. Jos ruohonleikkurin alusta on vahingoittunut, toimita leikkuri valtuutettuun BLACK+DECKER-huoltoon korjattavaksi. Näkyviä terävaurioita ei ole havaittavissa, mutta ruohonleikkuri silti ärisee: ♦ Sammuta ruohonleikkuri vapauttamalla työntöaisa. ♦ Irrota leikkuri virtalähteestä. ♦ Pura koko teräkokoonpano osion "Terän irrotus ja asennus" mukaisesti. ♦ Poista mahdolliset jäät ja puhdista kaikki osat. ♦ Asenna osat takaisin osion "Terän irrotus ja asennus" mukaisesti. Jos ruohonleikkuri edelleen ärisee, toimita se valtuutettuun BLACK+DECKER-huoltoon korjattavaksi.
Akkulaturin LED-merkkivalot eivät pala.	Tarkista pistokeliitäntä. Vaihda laturi.
Ruohonleikkuri ei kerää leikattua ruohoa talteen pussiin.	Poistoaukko on tukossa. Sammuta ruohonleikkuri vapauttamalla työntöaisa. Irrota leikkuri virtalähteestä. Puhdista poistoaukko leikkujätteestä. Lyhennä leikattavaa määrää nostamalla leikkauskorkeutta. Pussi on täynnä. Tyhjennä pussi useammin.

## Ympäristönsuojelu



Toimita tämä laite erilliskeräykseen. Tällä symbolilla merkityjä tuotteita ja akkuja ei saa hävittää tavallisen kiotalousjätteen mukana.

Tuotteissa ja akuissa on materiaaleja, jotka voidaan ottaa talteen tai kierrättää uudelleen käyttöä varten. Kierrätä sähkölaitteet ja akut paikallisten määräyksien mukaan. Lisätietoa on saatavilla osoitteessa [www.2helpU.com](http://www.2helpU.com)

## Tekniset tiedot

		CLM5448PC	CLM5448PCB
Jännite	V <sub>DC</sub>	54V	54V
Kuormittamaton nopeus	min <sup>-1</sup>	0 - 2900	0 - 2900
Paino	kg	26,62	24,15
Terän pituus	mm	48	48
Akku		BL2554	Perusyksikkö. (akku ei kuulu toimitukseen)
Jännite	V <sub>DC</sub>	54/18V DUALVOLT	
Teho	Ah	2,5	
Tyyppi		LI-Ion	
Laturi		BDC2A	Perusyksikkö. (laturi ei kuulu toimitukseen)
Tulojännite	V <sub>AC</sub>	220 - 240	
Lähtövirta	mA	2000mA	
Arvioitu latausaika	h.	3,75	

Käden/käsivarren painotettu värinäarvo:  
= 4,4m/s<sup>2</sup>, epävarmuus (K) = 1,5m/s<sup>2</sup>.

L<sub>w</sub> (äänenpaine) 83 dB(A)  
epävarmuus (K) = 2,5 dB(A)

**EY-vaatimustenmukaisuusvakuutus**  
KONEDIREKTIIVI  
ULKOILMAMELUDIREKTIIVI



CLM5448PC, CLM5448PCB -ruohonleikkuri

Black & Decker ilmoittaa, että tuotteet, jotka on kuvattu kohdassa Tekniset tiedot, täyttävät seuraavien direktiivien vaatimukset:

2006/42/EY, EN 60335-1:2012 + A11:2014,  
EN 60335-2-77:2010

2000/14/EY, Ruohonleikkuri, L < 50 cm, Liite VI, DEKRA Certification B.V., Utrechtseweg 310, ED Arnhem Alankomaat. Ilmoitetun laitoksen tunnusnumero: 0344 Akustisen tehon taso direktiivin 2000/14/EY (artikla 12, liite III, L < 50 cm) mukaisesti:

$L_{wa}$  (mitattu ääniteho) 89,5 dB(A)

epävarmuus (K) = 1,2 dB(A)

$L_{wa}$  (taattu ääniteho) 96 dB(A)

Nämä tuotteet täyttävät myös direktiivien 2014/30/EU ja 2011/65/EU vaatimukset. Lisätietoja saa ottamalla yhteyden Black & Deckeriin seuraavassa osoitteessa. Tiedot ovat myös käyttöohjeen takakannessa.

Allerkirjoittanut vastaa teknisten tietojen kokoamisesta tehden tämän ilmoituksen Black & Deckerin puolesta.



R. Laverick

Teknisen osaston johtaja

Black & Decker Europe, 210 Bath Road, Slough, Berkshire, SL1 3YD

Iso-Britannia

26.8.2016

## Takuu

Black & Decker on vakuuttanut tuotteidensa korkeasta laadusta ja tarjoaa kuluttajille 24 kuukauden takuun, joka astuu voimaan ostopäivänä. Kyseinen takuu75 on lisäksi kuluttajan laillisiin oikeuksiin eikä vaikuta niihin. Tämä takuu on voimassa kaikissa EU- ja ETA-maissa.

Edellytyksenä takuun saamiselle on, että vaade täyttää Black & Deckerin ehdot ja että ostaja toimittaa ostotositteen jälleenmyyjälle tai valtuutetulle huoltoliikkeelle. Black & Deckerin kahden vuoden takuun ehdot ja lähimmän valtuutetun korjauspalvelun yhteystiedot ovat saatavilla osoitteessa [www.2helpU.com](http://www.2helpU.com) tai ottamalla yhteyttä paikalliseen Black & Deckerin toimipisteeseen tässä ohjekirjassa ilmoitettuihin osoitteisiin.

Käy verkkosivuillemme osoitteessa [www.blackanddecker.fi](http://www.blackanddecker.fi) ja rekisteröi uusi Black & Decker -tuotteesi saadaksesi tietoa uusista tuotteista ja erikoistarjouksista.

## Προβλεπόμενη χρήση

Οι χλοοκοπτικές μηχανές BLACK+DECKER CLM5448PC και CLM5448PCB έχουν σχεδιαστεί για κόψιμο γκαζόν. Αυτές οι συσκευές προορίζονται μόνο για καταναλωτική χρήση.

## Οδηγίες ασφαλείας

Προειδοποίηση! Κατά τη χρήση συσκευών μπαταρίας, πρέπει πάντοτε να τηρούνται οι βασικές προφυλάξεις ασφαλείας, συμπεριλαμβανομένων των παρακάτω, για τον περιορισμό του κινδύνου πυρκαγιάς, ηλεκτροπληξίας, τραυματισμού από μων και υλικών ζημιών.

Προειδοποίηση! Κατά τη χρήση του μηχανήματος πρέπει να τηρούνται οι κανόνες ασφαλείας.

Για ασφάλεια δική σας και των παρευρισκομένων, διαβάστε αυτές τις οδηγίες πριν χρησιμοποιήσετε το μηχάνημα. Φυλάξτε τις οδηγίες σε ασφαλές μέρος για μεταγενέστερη χρήση.

- ◆ Διαβάστε προσεκτικά όλο το περιεχόμενο αυτού του εγχειριδίου, πριν χρησιμοποιήσετε τη συσκευή.
- ◆ Η προβλεπόμενη χρήση περιγράφεται σε αυτό το εγχειρίδιο. Τόσο η χρήση εξαρτημάτων ή προσαρτημάτων όσο και η πραγματοποίηση οποιασδήποτε εργασίας με τη συσκευή που δεν συνιστάται σε αυτό το εγχειρίδιο οδηγίων, εγκυμονεί κίνδυνο τραυματισμού.
- ◆ Φυλάξτε αυτό το εγχειρίδιο για μελλοντική αναφορά.

## Χρήση της συσκευής σας

Προσέχετε πάντα όταν χρησιμοποιείτε τη συσκευή.

- ♦ Αυτή η συσκευή δεν προορίζεται για χρήση από νεαρά ή αδύναμα άτομα χωρίς επίβλεψη.
- ♦ Η συσκευή δεν πρέπει να χρησιμοποιείται ως παιχνίδι.
- ♦ Μην επιτρέπετε σε παιδιά ή ζώα να πλησιάσουν στο χώρο εργασίας ή να αγγίζουν τη συσκευή ή το καλώδιο τροφοδοσίας ρεύματος.
- ♦ Απαιτείται στενή επίβλεψη όταν η συσκευή χρησιμοποιείται κοντά σε παιδιά.
- ♦ Να χρησιμοποιείται μόνο σε χώρο χωρίς υγρασία. Μην αφήνετε να βραχεί η συσκευή.
- ♦ Μη βυθίζετε τη συσκευή σε νερό.
- ♦ Μην ανοίγετε το περίβλημα του σώματος της συσκευής.  
Δεν υπάρχουν στο εσωτερικό εξαρτήματα που επιδέχονται σέρβις από το χρήστη.
- ♦ Μη χρησιμοποιείτε τη συσκευή σε περιβάλλον όπου υπάρχει κίνδυνος έκρηξης, π.χ. παρουσία εύφλεκτων υγρών, αερίων ή σκόνης.
- ♦ Για να βγάλετε το φισ από την πρίζα μην τραβάτε ποτέ από το καλώδιο. Έτσι, θα αποφύγετε τον κίνδυνο ζημιάς στο φισ και στο καλώδιο.
- ♦ Πριν τη χρήση, πάντα επιθεωρείτε οπτικά για να βεβαιωθείτε ότι η λεπίδα, τα μπουλόνια της λεπίδας και το συγκρότημα της λεπίδας δεν έχουν υποστεί φθορά ή ζημιά.

Αντικαθιστάτε μόνο σε σερ τις λεπίδες και τα μπουλόνια που έχουν υποστεί φθορά ή ζημιά, για να διατηρήσετε τη σωστή ζυγοστάθμιση.

- ♦ Για να αποφύγετε κίνδυνο λόγω αθλήτης επαναφοράς του θερμικού διακόπτη, η συσκευή αυτή δεν πρέπει να τροφοδοτείται με ρεύμα μέσω εξωτερικής διάταξης μεταγωγής, όπως χρονοδιακόπτη, ή να συνδεθεί σε κύκλωμα το οποίο ενεργοποιείται και απενεργοποιείται συχνά από την εταιρεία ηλεκτρισμού.
- ♦ Μη χρησιμοποιείτε ποτέ το μηχάνημα όταν υπάρχουν κοντά άνθρωποι και ιδιαίτερα παιδιά ή κατοικίδια ζώα.
- ♦ Έχετε υπόψη σας ότι ο φορέας λειτουργίας ή ο χρήστης είναι πάντα υπεύθυνοι για ατυχήματα ή κινδύνους που προκαλούνται σε τρίτους ή στην ιδιοκτησία τους.

## Πριν τη χρήση

- ♦ Κατά τη χρήση του μηχανήματος φοράτε πάντα υποδήματα βαρέως τύπου και μακρύ παντελόνι. Μη χρησιμοποιείτε το μηχάνημα όταν είστε ξυπόλητοι ή φορώντας ανοιχτά σανδάλια. Αποφύγετε ρούχα με χαλαρή εφαρμογή ή με κορδόνια που κρέμονται καθώς και τις γραβάτες.
- ♦ Επιθεωρήστε προσεκτικά τη περιοχή όπου θα χρησιμοποιηθεί το μηχάνημα και απομακρύνετε όλες τα αντικείμενα τα οποία μπορούν να εκσφενδονιστούν από το μηχάνημα.

- ♦ Πριν τη χρήση, πάντα επιθεωρείτε οπτικά για να βεβαιωθείτε ότι η λεπίδα, το μπουλόνι της λεπίδας και το συγκρότημα της λεπίδας δεν έχουν υποστεί φθορά ή ζημιά. Αντικαθιστάτε σε σερτ τα εξαρτήματα που έχουν υποστεί φθορά ή ζημιά, για να διατηρείτε τη σωστή ζυγοστάθμιση. Αντικαθιστάτε τις ετικέτες που έχουν υποστεί ζημιά ή δεν είναι αναγνώσιμες.
- ♦ Μη χρησιμοποιήσετε τη συσκευή αν οποιοδήποτε εξάρτημα παρουσιάζει ζημιά ή βλάβη.
- ♦ Φροντίστε οποιαδήποτε εξαρτήματα παρουσιάζουν ζημιά ή βλάβη να επισκευαστούν ή να αντικατασταθούν από εξουσιοδοτημένο αντιπρόσωπο σέρβις.
- ♦ Μην επιχειρήσετε ποτέ να αφαιρέσετε ή να αντικαταστήσετε οποιοδήποτε εξάρτημα, εκτός από αυτά που καθορίζονται στο παρόν εγχειρίδιο.
- ♦ Προσέχετε κατά τη ρύθμιση της χλοοκοπτικής μηχανής, για να αποφύγετε εμπλοκή των δακτύλων μεταξύ των κινούμενων λεπίδων/ εξαρτημάτων και των σταθερών τμημάτων της μηχανής.
- ♦ Κατά τη συντήρηση των λεπίδων να έχετε υπόψη σας ότι, παρόλο που η πηγή τροφοδοσίας ρεύματος είναι αποσυνδεδεμένη, οι λεπίδες και πάλι μπορούν να κινηθούν.

## Μετά τη χρήση

- ♦ Όταν δεν χρησιμοποιείται, η συσκευή πρέπει να φυλάσσεται σε στεγνό, καλά αεριζόμενο χώρο, μακριά από παιδιά.
- ♦ Τα παιδιά δεν πρέπει να έχουν πρόσβαση σε αποθηκευμένες συσκευές.
- ♦ Όταν η συσκευή αποθηκεύεται ή μεταφέρεται μέσα σε όχημα πρέπει να τοποθετείται στο χώρο αποσκευών ή να στερεώνεται ώστε να μη μετακινείται σε περίπτωση απότομων μεταβολών της ταχύτητας ή της κατεύθυνσης του οχήματος.

## Έλεγχος και επισκευές

- ♦ Πριν από τη χρήση, ελέγξτε τη συσκευή για εξαρτήματα που έχουν υποστεί ζημιά ή βλάβη. Ελέγξτε αν υπάρχουν σπασμένα εξαρτήματα, ζημιά σε διακόπτες και οτιδήποτε άλλο μπορεί να επηρεάσει τη λειτουργία της.

## Πρόσθετες οδηγίες ασφαλείας για χλοοκοπτικές μηχανές

- ♦ Μη μεταφέρετε το μηχάνημα όταν είναι σε λειτουργία η πηγή ρεύματος
- ♦ Κρατάτε γερά τη λαβή και με τα δύο χέρια όταν χρησιμοποιείτε τη χλοοκοπτική μηχανή.
- ♦ Αν οποιαδήποτε στιγμή είναι απαραίτητο να γείρετε τη χλοοκοπτική μηχανή, βεβαιωθείτε ότι και τα δύο χέρια σας παραμένουν στη θέση χειρισμού ενώ γέρνετε τη μηχανή.

Κρατήστε και τα δυο σας χέρια στη θέση χειρισμού μέχρι να επαναφέρετε τη χλοοκοπτική μηχανή στην σωστή θέση στο έδαφος.

- ♦ Ποτέ μη φοράτε ακουστικά ραδιοφώνου ή συσκευής αναπαραγωγής μουσικής όταν χειρίζεστε τη χλοοκοπτική μηχανή.
- ♦ Ποτέ μην επιχειρήσετε να πραγματοποιήσετε ρύθμιση του ύψους τροχού όταν το μοτέρ βρίσκεται σε λειτουργία ή όταν το κλειδί ασφαλείας βρίσκεται μέσα στο περίβλημα του διακόπτη.
- ♦ Αν μπλοκάρει η χλοοκοπτική μηχανή, ελευθερώστε την μπάρα λειτουργίας για να την απενεργοποιήσετε και περιμένετε να σταματήσει η λεπίδα, πριν επιχειρήσετε να αποφράξετε τη χοάνη ή να απομακρύνετε οτιδήποτε από κάτω από το δάπεδο της μηχανής.
- ♦ Μην πλησιάζετε τα χέρια και τα πόδια σας στην περιοχή κοπής.
- ♦ Διατηρείτε τις λεπίδες αιχμηρές. Φοράτε πάντοτε προστατευτικά γάντια όταν χειρίζεστε τη λεπίδα της χλοοκοπτικής μηχανής.
- ♦ Εάν χρησιμοποιείτε το συλλέκτη γρασιδιού, ελέγχετε τον τακτικά για φθορά και υποβάθμιση της κατάστασής του. Εάν έχει φθαρεί υπερβολικά, αντικαταστήστε τον με νέο συλλέκτη γρασιδιού, για τη δική σας ασφάλεια.

- ♦ Επιδεικνύετε εξαιρετική προσοχή όταν κινείστε προς τα πίσω ή τραβάτε τη χλοοκοπτική μηχανή προς το μέρος σας.
- ♦ Μην πλησιάζετε τα χέρια ή τα πόδια σας κοντά ή κάτω από τη χλοοκοπτική μηχανή.  
Παραμένετε πάντα μακριά από τα ανοίγματα εξαγωγής.
- ♦ Καθαρίστε την περιοχή όπου θα χρησιμοποιηθεί η χλοοκοπτική μηχανή από αντικείμενα όπως πέτρες, ξύλα, σύρματα, παιγνίδια, κόκαλα κλπ., τα οποία μπορούν να εκσφενδονιστούν από τη λεπίδα.  
Αντικείμενα τα οποία κτυπούν στη λεπίδα μπορούν να προκαλέσουν σοβαρό τραυματισμό σε άτομα.  
Παραμένετε πίσω από τη λαβή όταν ο κινητήρας βρίσκεται σε λειτουργία.
- ♦ Μη χρησιμοποιείτε τη χλοοκοπτική μηχανή με γυμνά πόδια ή φορώντας σανδάλια. Φοράτε πάντοτε κλειστά υποδήματα.
- ♦ Μην τραβάτε προς τα πίσω τη χλοοκοπτική μηχανή, εκτός εάν είναι απόλυτα απαραίτητο. Πάντοτε κοιτάτε κάτω και προς τα πίσω πριν και όσο κινείστε προς τα πίσω.
- ♦ Ποτέ μην κατευθύνετε το εξαγόμενο υλικό προς οποιονδήποτε. Αποφύγετε την εξαγωγή υλικού προς κάποιο τοίχο ή άλλο εμπόδιο. Το υλικό μπορεί να εξοστρακιστεί προς το χειριστή.



- Απελευθερώστε τη μπάρα λειτουργίας για να απενεργοποιηθεί η χλοοκοπτική μηχανή και να σταματήσει η λεπίδα πριν περάσετε από επιφάνεια με χαλίκια.
- ♦ Μη χρησιμοποιείτε τη χλοοκοπτική μηχανή χωρίς ολόκληρο το συλλέκτη γρασιδιού, το προστατευτικό εξαγωγής, το πίσω προστατευτικό και άλλες προστατευτικές διατάξεις ασφαλείας στη θέση τους και σε λειτουργία. Περιοδικά ελέγχετε όλα τα προστατευτικά και τις προστατευτικές διατάξεις ασφαλείας για να εξασφαλίσετε ότι βρίσκονται σε καλή κατάσταση λειτουργίας και ότι θα λειτουργήσουν σωστά επιτελώντας το σκοπό τους. Αντικαταστήστε τυχόν προστατευτικό ή άλλη διάταξη ασφαλείας που έχει υποστεί ζημιά, πριν από την περαιτέρω χρήση.
  - ♦ Ποτέ μην αφήνετε μια χλοοκοπτική μηχανή σε λειτουργία χωρίς επιτήρηση.
  - ♦ Πάντα απελευθερώνετε την μπάρα λειτουργίας για να σταματήσει το μοτέρ και περιμένετε μέχρι να ακινητοποιηθεί απόλυτα το περύνιο, πριν καθαρίσετε τη χλοοκοπτική μηχανή, αφαιρέσετε το σάκο συλλογής γρασιδιού, αποφράξετε το προστατευτικό εξαγωγής, όταν αφήνετε τη χλοοκοπτική μηχανή και πριν εκτελέσετε οποιαδήποτε εργασία ρύθμισης, επισκευής ή ελέγχου.
  - ♦ Χρησιμοποιείτε τη χλοοκοπτική μηχανή μόνο στο φως της ημέρας ή σε καλό τεχνητό φωτισμό, όταν αντικείμενα που τυχόν βρίσκονται στην πορεία της λεπίδας είναι εύκολα ορατά από την περιοχή χειρισμού της χλοοκοπτικής μηχανής.
  - ♦ Μη χρησιμοποιείτε τη χλοοκοπτική μηχανή όταν είστε υπό την επίδραση αλκοόλ ή ναρκωτικών ουσιών, ή όταν είστε άρρωστος(-η) ή κουρασμένος(-η). Πάντα να είστε σε επαγρύπνηση, να προσέχετε τι κάνετε και να χρησιμοποιείτε κοινή λογική.
  - ♦ Αποφεύγετε τα επικίνδυνα περιβάλλοντα. Ποτέ μη χρησιμοποιήσετε τη χλοοκοπτική μηχανή σε υγρό ή βρεγμένο γρασίδι, ούτε στη βροχή. Να είστε πάντοτε σίγουροι για το που πατάτε, και να περπατάτε, ποτέ μην τρέχετε.
  - ♦ Αν η χλοοκοπτική μηχανή παρουσιάσει ασυνήθιστους κραδασμούς, απελευθερώστε την μπάρα λειτουργίας, περιμένετε να σταματήσει η λεπίδα και στη συνέχεια διερευνήστε αμέσως την αιτία. Οι κραδασμοί αποτελούν γενικά προειδοποίηση προβλήματος, δείτε τον οδηγό αντιμετώπισης προβλημάτων για συμβουλές σε περίπτωση μη φυσιολογικών κραδασμών.
  - ♦ Φοράτε πάντοτε κατάλληλα προστατευτικά ματιών και αναπνοής κατά τη χρήση της χλοοκοπτικής μηχανής.

- ♦ Η χρήση οποιουδήποτε αξεσουάρ ή εξαρτήματος δεν συνιστάται για χρήση με αυτή τη χλοοκοπτική μηχανή, θα μπορούσε να είναι επικίνδυνη. Χρησιμοποιείτε μόνο αξεσουάρ εγκεκριμένα από την BLACK+DECKER.
- ♦ Ποτέ μην τεντώνετε υπερβολικά όταν χρησιμοποιείτε τη χλοοκοπτική μηχανή. Να εξασφαλίζετε πάντοτε σωστή στήριξη στα πόδια σας και καλή ισορροπία όταν χρησιμοποιείτε τη χλοοκοπτική μηχανή.
- ♦ Σε εδάφη με κλίση, να κουρεύετε εγκάρσια προς την κλίση, ποτέ προς τα πάνω και κάτω. Επιδεικνύετε εξαιρετική προσοχή όταν αλλάζετε κατεύθυνση σε εδάφη με κλίση.
- ♦ Να προσέχετε για λακκούβες, αυλάκια, πέτρες ή άλλα κρυμμένα αντικείμενα. Το ανώμαλο έδαφος μπορεί να προκαλέσει ατύχημα λόγω ολίσθησης και πτώσης. Τα ψηλά χόρτα μπορεί να κρύβουν εμπόδια.
- ♦ Μην κουρεύετε σε βρεγμένο γρασίδι ή σε εδάφη με υπερβολική κλίση. Η κακή στήριξη στα πόδια σας μπορεί να προκαλέσει ατύχημα λόγω ολίσθησης και πτώσης.
- ♦ Μην κουρεύετε κοντά σε γκρεμούς, χαντάκια ή πρηνή. Μπορεί να παραπατήσετε ή να χάσετε την ισορροπία σας.
- ♦ Πάντοτε αφήνετε τη χλοοκοπτική μηχανή να κρυώσει πριν την αποθηκεύσετε.

Τραβήξτε το φως από την πρίζα και αφαιρέστε το πακέτο μπαταρίας από το μηχάνημα. Βεβαιωθείτε ότι όλα τα κινούμενα τμήματα έχουν σταματήσει τελείως:

- ♦ Όταν φεύγετε από το μηχάνημα
- ♦ Πριν καθαρίσετε απόφραξη
- ♦ Πριν τον έλεγχο, τον καθαρισμό ή την εργασία στη συσκευή.

### Ασφάλεια τρίτων

- ♦ Η συσκευή αυτή δεν προορίζεται για χρήση από άτομα (περιλαμβανομένων παιδιών) με μειωμένες σωματικές, αισθητηριακές ή πνευματικές ικανότητες, ή με έλλειψη εμπειρίας και γνώσης, εκτός αν σε αυτά έχει παρασχεθεί από άτομο υπεύθυνο για την ασφάλειά τους επίβλεψη ή εκπαίδευση σχετικά με τη χρήση της συσκευής.
- ♦ Τα παιδιά πρέπει να επιτηρούνται για να εξασφαλίζεται ότι δεν παίζουν με τη συσκευή.
- ♦ Αφού χτυπήσει σε ξένο αντικείμενο. Επιθεωρήστε τη συσκευή για ζημιές και επισκευάστε όπως χρειάζεται.

### Υπολειπόμενοι κίνδυνοι

Κατά τη χρήση του εργαλείου μπορεί να δημιουργηθούν πρόσθετοι υπολειπόμενοι κίνδυνοι, οι οποίοι ενδέχεται να μη συμπεριλαμβάνονται στις προειδοποιήσεις ασφαλείας που εσωκλείονται. Αυτοί οι κίνδυνοι μπορεί να προκληθούν από κακή χρήση, παρατεταμένη χρήση κλπ.

Παρά την εφαρμογή των σχετικών κανονισμών ασφαλείας και τη χρήση διατάξεων ασφαλείας, ορισμένοι υπολειπόμενοι κίνδυνοι δεν είναι δυνατό να αποφευχθούν. Σ' αυτούς περιλαμβάνονται:

- ♦ Τραυματισμοί από επαφή με οποιαδήποτε περιστρεφόμενα/κινούμενα μέρη.
- ♦ Τραυματισμοί κατά την αλλαγή οποιωνδήποτε εξαρτημάτων, λεπίδων ή αξεσουάρ.
- ♦ Σωματικές βλάβες από παρατεταμένη χρήση εργαλείου. Όταν χρησιμοποιείτε οποιοδήποτε εργαλείο για παρατεταμένα χρονικά διαστήματα, μην παραλείπετε με κανένα τρόπο να κάνετε τακτικά διαλείμματα.
- ♦ Βλάβη της ακοής.
- ♦ Κίνδυνοι για την υγεία λόγω εισπνοής σκόνης που αναπτύσσεται κατά τη χρήση του εργαλείου σας (παράδειγμα: εργασία με ξύλο, ειδικά βελανιδιά, οξιά και MDF.)
- ♦ Αν δεν μπορείτε να αποφύγετε τη χρήση της χλοοκοπτικής μηχανής σε υγρή θέση, χρησιμοποιήστε μια διάταξη προστασίας από ρεύμα διαρροής (RCD), με ρεύμα ενεργοποίησης όχι μεγαλύτερο από 30 mA. Η χρήση μιας διάταξης RCD μειώνει τον κίνδυνο ηλεκτροπληξίας.
- ♦ Ποτέ μην παίρνετε στα χέρια σας ή μεταφέρετε μια συσκευή όταν το μοτέρ της είναι σε λειτουργία.

## Προειδοποιητικά σύμβολα

Η συσκευή φέρει τα παρακάτω προειδοποιητικά σύμβολα μαζί με τον κωδικό ημερομηνίας:



**Προειδοποίηση!** Διαβάστε το εγχειρίδιο οδηγιών πριν από τη λειτουργία.



### Προσέχετε τις αιχμηρές λεπίδες.

Οι λεπίδες συνεχίζουν να κινούνται και μετά την απενεργοποίηση του μοτέρ – Αφαιρέστε τη διάταξη απενεργοποίησης πριν τη συντήρηση ή αν υποστεί ζημιά το καλώδιο.



Προσέχετε για τυχόν αντικείμενα που εκσφενδονίζονται. Μην αφήνετε να πλησιάσουν άλλα άτομα στην περιοχή κοπής.



Φοράτε προστασία ματιών



Οι λεπίδες συνεχίζουν να κινούνται και μετά την απενεργοποίηση του μηχανήματος.



Οδηγία 2000/14/ΕΚ περί εγγυημένης ακουστικής ισχύος.

## Πρόσθετες οδηγίες ασφαλείας για μπαταρίες και φορτιστές Μπαταρίες

- ♦ Ποτέ μην επιχειρήσετε να τις ανοίξετε, για κανένα λόγο.
- ♦ Μην εκθέτετε την μπαταρία σε νερό.
- ♦ Μην εκθέτετε την μπαταρία σε θερμότητα.
- ♦ Μην αποθηκεύετε σε θέσεις όπου η θερμοκρασία ενδέχεται να υπερβεί τους 40 °C.
- ♦ Να φορτίζετε μόνο σε θερμοκρασίες περιβάλλοντος μεταξύ 10 °C και 40 °C.
- ♦ Φορτίζετε μόνο με το φορτιστή που παρέχεται με τη συσκευή/το εργαλείο. Η χρήση λανθασμένου φορτιστή θα μπορούσε να επιφέρει ηλεκτροπληξία, ή υπερθέρμανση της μπαταρίας.
- ♦ Όταν απορρίπτετε τις μπαταρίες, ακολουθήστε τις οδηγίες στην ενότητα “Προστασία του περιβάλλοντος”.
- ♦ Μην προξενήσετε ζημιά/ παραμορφώσετε το πακέτο μπαταρίας είτε με χτύπημα είτε με κρούση, επειδή αυτό μπορεί να προκαλέσει κίνδυνο τραυματισμού και πυρκαγιάς.
- ♦ Μη φορτίζετε μπαταρίες που έχουν υποστεί ζημιά.
- ♦ Υπό ακραίες συνθήκες, μπορεί να επέλθει διαρροή υγρών της μπαταρίας. Αν παρατηρήσετε υγρό πάνω στις μπαταρίες, σκουπίστε το προσεκτικά με ένα πανί. Αποφύγετε την επαφή με το δέρμα.
- ♦ Σε περίπτωση επαφής με το δέρμα ή τα μάτια, ακολουθήστε τις παρακάτω οδηγίες.

**Προειδοποίηση!** Το υγρό της μπαταρίας μπορεί να προκαλέσει σωματικές βλάβες ή υλικές ζημιές. Σε περίπτωση επαφής με το δέρμα, ξεπλύνετε αμέσως με άφθονο νερό.

Αν παρουσιαστεί κοκκίνισμα του δέρματος, πόνος ή ερεθισμός, ζητήστε ιατρική βοήθεια. Σε περίπτωση επαφής με τα μάτια, ξεπλύνετε αμέσως με καθαρό νερό και ζητήστε ιατρική βοήθεια.



Μην επιχειρήσετε να φορτίσετε μπαταρίες που έχουν υποστεί ζημιά

## Φορτιστής

Ο φορτιστής σας είναι σχεδιασμένος για συγκεκριμένη ηλεκτρική τάση. Ελέγχετε πάντα ότι η τάση ρεύματος δικτύου συμφωνεί με αυτήν που αναγράφεται στην πινακίδα τεχνικών χαρακτηριστικών.

**Προειδοποίηση!** Ποτέ μην επιχειρήσετε να αντικαταστήσετε τη μονάδα φορτιστή με κανονικό φως ρεύματος δικτύου.

- ♦ Χρησιμοποιείτε το φορτιστή σας Black & Decker μόνο για να φορτίζετε την μπαταρία στη συσκευή/στο εργαλείο για το οποίο σας παραδόθηκε. Άλλες μπαταρίες ενδέχεται να εκραγούν, προκαλώντας τραυματισμό ατόμων και ζημιές.
- ♦ Μην επιχειρήσετε ποτέ να φορτίσετε μη επαναφορτιζόμενες μπαταρίες.

- Αν το καλώδιο ρεύματος έχει υποστεί ζημιά, η αντικατάστασή του πρέπει να γίνει από τον κατασκευαστή ή από εξουσιοδοτημένο κέντρο της Black & Decker, ώστε να μην αποτελέσει κίνδυνο.
- Μην εκθέτετε το φορτιστή σε νερό.
- Μην ανοίξετε το φορτιστή.
- Μην εισάγετε οποιαδήποτε αντικείμενα μέσα στο φορτιστή.
- Κατά τη φόρτιση, η συσκευή/το εργαλείο/η μπαταρία πρέπει να βρίσκεται σε επαρκώς αεριζόμενο χώρο.



Ο φορτιστής προορίζεται για χρήση μόνο σε εσωτερικούς χώρους.



Διαβάστε το εγχειρίδιο οδηγιών πριν τη χρήση.

**Σημαντικό:** Μόνο οι παρακάτω φορτιστές πρέπει να χρησιμοποιούνται για τη φόρτιση της μπαταρίας 54 V BL1554 & BL2554:

90589867, 90621477, 90590287-01, 90590289-01, 90602042-01, 90590287-02, 90590289-02, 90599854-02, 90599854-06, 90599853-05, 90634971, 90634972, 90634973, 90642266, 90642264, 90642265, BDC2A

## Ασφαλής χρήση ηλεκτρικού ρεύματος



Ο φορτιστής σας έχει διπλή μόνωση: επομένως δεν απαιτείται

αγωγός γείωσης.

Ελέγχετε πάντα ότι η τάση ρεύματος δικτύου συμφωνεί με αυτήν που

αναγράφεται στην πινακίδα τεχνικών χαρακτηριστικών. Ποτέ μην επιχειρήσετε να αντικαταστήσετε τη μονάδα φορτιστή με ένα κανονικό φως ρεύματος δικτύου.

- Αν το καλώδιο ρεύματος έχει υποστεί ζημιά, πρέπει να αντικατασταθεί από τον κατασκευαστή ή από ένα εξουσιοδοτημένο κέντρο της BLACK+DECKER, ώστε να μην αποτελέσει κίνδυνο.

## Χαρακτηριστικά

Η συσκευή αυτή διαθέτει μερικά ή όλα από τα παρακάτω χαρακτηριστικά.

1. Κουτί διακόπτη
2. Λαβή λειτουργίας
3. Πάνω λαβή
4. Κάτω λαβή
5. Μοχλοί πάνω λαβής (2)
6. Μοχλοί κάτω λαβής (2)
7. Μοχλός ρύθμισης ύψους κοπής
8. Σάκος συλλογής γρασιδιού
9. Κάλυμμα πίσω πόρτας
10. Πίνακας ελέγχου
11. Διακόπτης μπαταρίας POWERCOMMAND
12. Κάλυμμα διαμερίσματος μπαταρίας
13. Λαβές μεταφοράς
14. EdgeMax™

## Διαδικασία φόρτισης

Οι φορτιστές BLACK+DECKER έχουν σχεδιαστεί να φορτίζουν πακέτα μπαταριών BLACK+DECKER.

- Συνδέστε το φορτιστή σε κατάλληλη πρίζα πριν εισάγετε το πακέτο μπαταρίας.
- Εισάγετε το πακέτο μπαταρίας στο φορτιστή.



Η πράσινη λυχνία LED θα αναβοσβήνει υποδεικνύοντας ότι η μπαταρία φορτίζεται



Η ολοκλήρωση της φόρτισης υποδεικνύεται όταν η κόκκινη φωτεινή ένδειξη παραμένει αναμμένη συνεχώς. Το πακέτο μπαταρίας είναι τώρα πλήρως φορτισμένο και μπορεί να χρησιμοποιηθεί άμεσα ή να παραμείνει στο φορτιστή

**Προειδοποίηση!** Επαναφορτίζετε τις αποφορτισμένες μπαταρίες το συντομότερο δυνατόν μετά τη χρήση, διαφορετικά μπορεί να μειωθεί πολύ η διάρκεια ζωής τους.

## Διαγνωστικά φορτιστή

Αυτός ο φορτιστής έχει σχεδιαστεί ώστε να ανιχνεύει ορισμένα προβλήματα που μπορούν να προκύψουν με πακέτα μπαταριών ή με την πηγή ρεύματος. Τα προβλήματα υποδεικνύονται από μια λυχνία LED που αναβοσβήνει με διαφορετικά μοτίβα αναλαμπών.

## Προβληματική μπαταρία



Ο φορτιστής μπορεί να ανιχνεύσει ότι μια μπαταρία είναι εξασθενημένη

ή έχει υποστεί ζημιά. Η κόκκινη λυχνία LED

αναβοσβήνει με το μοτίβο αναλαμπών που υποδεικνύεται στην ετικέτα. Αν δείτε αυτό το μοτίβο αναλαμπών που αντιστοιχεί σε προβληματική μπαταρία, μη συνεχίσετε τη φόρτιση της μπαταρίας. Επιστρέψτε την σε κέντρο σέρβις ή σε θέση συλλογής για ανακύκλωση

## Καθυστέρηση θερμού/ ψυχρού πακέτου μπαταρίας



Αν ο φορτιστής ανιχνεύσει μπαταρία με υπερβολικά υψηλή ή χαμηλή θερμοκρασία,

ξεκινά αυτόματα μια Καθυστέρηση θερμού/ψυχρού πακέτου μπαταρίας, αναστέλλοντας τη φόρτιση έως ότου η μπαταρία έχει φθάσει σε κατάλληλη θερμοκρασία.

Αφού συμβεί αυτό, ο φορτιστής μεταβαίνει αυτόματα σε λειτουργία φόρτισης του πακέτου. Αυτή η λειτουργία διασφαλίζει τη μέγιστη διάρκεια ζωής της μπαταρίας. Η κόκκινη λυχνία LED αναβοσβήνει με το μοτίβο αναλαμπών που υποδεικνύεται στην ετικέτα όταν ανιχνευτεί η καθυστέρηση θερμού/ψυχρού πακέτου μπαταρίας.

## Σημαντικές επισημάνσεις για τη φόρτιση

- Η μέγιστη διάρκεια ζωής και η βέλτιστη απόδοση μπορούν να επιτευχθούν αν το πακέτο μπαταρίας φορτίζεται όταν η θερμοκρασία περιβάλλοντος είναι μεταξύ 16°C και 27°C (60°F έως 80°F).
- ΜΗ φορτίζετε το πακέτο μπαταρίας σε θερμοκρασία περιβάλλοντος κάτω από +4,5°C (+40°F) ή πάνω από +40,5°C (+105°F). Αυτό είναι σημαντικό και θα αποτρέψει σοβαρή ζημιά στο πακέτο μπαταρίας.
- Ο φορτιστής και το πακέτο μπαταρίας μπορεί να θερμανθούν κατά τη φόρτιση. Αυτό είναι κανονικό φαινόμενο και όχι ένδειξη προβλήματος. Για να διευκολύνετε την ψύξη του πακέτου μπαταρίας μετά τη χρήση, αποφεύγετε να τοποθετείτε το φορτιστή ή το πακέτο μπαταρίας σε θερμό περιβάλλον, όπως σε μεταλλικό παράπηγμα ή σε μη μονωμένο τρέιλερ.
- Αν το πακέτο μπαταρίας δεν φορτίζεται σωστά:
  - Ελέγξτε το ρεύμα στην πρίζα συνδέοντας ένα φωτιστικό ή άλλη ηλεκτρική συσκευή
  - Ελέγξτε μήπως η πρίζα συνδέεται σε διακόπτη φώτων που διακόπτει το ρεύμα όταν σβήνετε τα φώτα.

- Μετακινήστε το φορτιστή και το πακέτο μπαταρίας σε θέση όπου η θερμοκρασία αέρα περιβάλλοντος είναι περίπου 16°C - 27°C (60°F - 80°F).
- Αν τα προβλήματα φόρτισης επιμένουν, παραδώστε τη συσκευή, το πακέτο μπαταρίας και το φορτιστή στο τοπικό σας κέντρο σέρβις.
- Το πακέτο μπαταρίας πρέπει να επαναφορτίζεται όταν δεν είναι σε θέση να παράγει επαρκή ισχύ σε εργασίες που γίνονταν εύκολα πιο πριν. ΜΗ ΣΥΝΕΧΙΣΕΤΕ τη χρήση υπό αυτές τις συνθήκες. Ακολουθήστε τη διαδικασία φόρτισης. Μπορείτε επίσης να φορτίσετε όποτε επιθυμείτε ένα πακέτο μπαταρίας που δεν έχει εξαντληθεί πλήρως, χωρίς αυτό να έχει αρνητικές συνέπειες στο πακέτο μπαταρίας.
- Τα ξένα υλικά με αγώνιμες ιδιότητες, όπως είναι, αλλά χωρίς περιορισμό σε αυτά, το σύρμα τριψίματος, το αλουμινοχάρτο ή οποιαδήποτε συσσώρευση μεταλλικών σωματιδίων, θα πρέπει να διατηρούνται μακριά από τις κοιλότητες του φορτιστή. Πάντα αποσυνδέετε το φορτιστή από την παροχή ρεύματος όταν δεν υπάρχει πακέτο μπαταρίας στην κοιλότητα. Αποσυνδέετε το φορτιστή από την πρίζα πριν επιχειρήσετε να τον καθαρίσετε.
- Μην παγώνετε ή βυθίζετε το φορτιστή σε νερό ή οποιοδήποτε άλλο υγρό.

**Προειδοποίηση!** Μην επιτρέψετε να εισέλθει οποιοδήποτε υγρό μέσα στο φορτιστή.

**ΠΟΤΕ ΜΗΝ ΕΠΙΧΕΙΡΙΣΕΤΕ ΝΑ ΑΝΟΙΞΕΤΕ ΤΟ ΠΑΚΕΤΟ ΜΠΑΤΑΡΙΑΣ, ΓΙΑ ΟΠΟΙΟΝΔΗΠΟΤΕ ΛΟΓΟ. ΑΝ ΤΟ ΠΛΑΣΤΙΚΟ ΠΕΡΙΒΛΗΜΑ ΤΟΥ ΠΑΚΕΤΟΥ ΜΠΑΤΑΡΙΑΣ ΣΠΑΣΕΙ Ή ΡΑΓΙΣΕΙ, ΕΠΙΣΤΡΕΨΤΕ ΤΟ ΠΑΚΕΤΟ ΣΕ ΚΕΝΤΡΟ ΣΕΡΒΙΣ ΓΙΑ ΑΝΑΚΥΚΛΩΣΗ.**

## Ένδειξη κατάστασης φόρτισης της μπαταρίας

Η μπαταρία είναι εξοπλισμένη με ένδειξη κατάστασης φόρτισης. Αυτή μπορεί να χρησιμοποιηθεί για να εμφανίσει το τρέχον επίπεδο φόρτισης στην μπαταρία όταν είναι μέσα στη χλοοκοπτική μηχανή και κατά τη διάρκεια της φόρτισης. Δεν δείχνει τη λειτουργικότητα του εργαλείου και υπόκειται σε μεταβολές βάσει των εξαρτημάτων του προϊόντος, της θερμοκρασίας και της εφαρμογής του τελικού χρήστη.

## Έλεγχος της κατάστασης φόρτισης:

- Πιέστε το κουμπί ένδειξης της κατάστασης φόρτισης (A1).
- Οι τρεις LED (A2) θα ανάψουν, υποδεικνύοντας το ποσοστό φόρτισης της μπαταρίας. Δείτε τον πίνακα στην Εικόνα Α.
- Αν δεν ανάψει λυχνία LED, φορτίστε την μπαταρία.

## Τοποθέτηση και αφαίρεση των πακέτων μπαταριών

**Προειδοποίηση!** Βεβαιωθείτε ότι το κλειδί ασφαλείας έχει αφαιρεθεί για να αποτραπεί η ενεργοποίηση, πριν την αφαίρεση ή την τοποθέτηση μπαταρίας.

**Για τοποθέτηση των πακέτων μπαταριών:**

- ◆ Ανοψώστε το κάλυμμα διαμερίσματος μπαταρίας (12) για να αποκτήσετε πρόσβαση στο διαμέρισμα μπαταρίας (15).
- ◆ Τοποθετήστε την μπαταρία (16) μέσα στο διαμέρισμα μπαταρίας έως ότου εδράσει πλήρως και ακουστεί χαρακτηριστικός ήχος κλικ (εικόνα Β). Βεβαιωθείτε ότι το πακέτο μπαταρίας έχει εδράσει πλήρως και έχει ασφαλιστεί πλήρως στη θέση του. Επαναλάβετε τη διαδικασία για το δεύτερο διαμέρισμα μπαταρίας.
- ◆ Κλείστε το κάλυμμα του διαμερίσματος μπαταρίας. Βεβαιωθείτε ότι το κάλυμμα έχει ασφαλιστεί πλήρως πριν θέσετε σε λειτουργία τη χλοοκοπτική μηχανή.

**Για να αφαιρέσετε τα πακέτα μπαταριών:**

- ◆ Ανοίξτε το κάλυμμα (12) του διαμερίσματος μπαταρίας όπως περιγράφηκε πιο πάνω.
- ◆ Πατήστε το κουμπί απελευθέρωσης της μπαταρίας (16a) πάνω στο πακέτο μπαταρίας και τραβήξτε το πακέτο μπαταρίας έξω από το εργαλείο, όπως δείχνει η εικόνα C.

**Επιλογή πακέτου μπαταρίας POWERCOMMAND**

**Προειδοποίηση!** Βεβαιωθείτε ότι το κλειδί ασφαλείας έχει αφαιρεθεί για να αποτραπεί η ενεργοποίηση, πριν επιλεγεί η ενεργή μπαταρία.

Η χλοοκοπτική μηχανή είναι εξοπλισμένη με κουμπί επιλογής μπαταρίας POWERCOMMAND (11). Αυτό χρησιμοποιείται για την παράταση του χρόνου λειτουργίας. Πατήστε το κουμπί επιλογής μπαταρίας (εικόνα D) στα αριστερά ή στα δεξιά.

- ◆ Η πλευρά με τη σήμανση “1” ενεργοποιεί το διαμέρισμα μπαταρίας αριστερής πλευράς.
- ◆ Η πλευρά με τη σήμανση “2” ενεργοποιεί το διαμέρισμα μπαταρίας δεξιάς πλευράς.

**Σημείωση:** Η χλοοκοπτική μηχανή μπορεί να λειτουργήσει μόνο με ένα πακέτο μπαταρίας, αν ο διακόπτης είναι στη σωστή θέση.

**Ενεργή μπαταρία, ενδείξεις κατάστασης φόρτισης**

**Σημείωση:** Η κατάσταση φόρτισης υποδεικνύεται μόνο κατά την εισαγωγή ενός πακέτου μπαταρίας, ή όταν είναι ενεργοποιημένη η χλοοκοπτική μηχανή, ή όταν υπάρχει μία μόνο μπαταρία και ο διακόπτης τεθεί στη θέση που τη συνδέει για τη λειτουργία της χλοοκοπτικής μηχανής. Αυτή η χλοοκοπτική μηχανή διαθέτει μια ένδειξη κατάστασης φόρτισης που βρίσκεται στη βάση του πίνακα ελέγχου (10). Χρησιμοποιείται για την εμφάνιση του ενεργού διαμερίσματος μπαταρίας και του τρέχοντος επιπέδου φόρτισης στην ενεργή μπαταρία. Όταν εγκατασταθεί ένα πακέτο μπαταρίας στα διαμερίσματα μπαταρίας, οι τρεις λυχνίες LED επιπέδου φόρτισης θα ανάψουν για 3 δευτερόλεπτα εμφανίζοντας το τρέχον επίπεδο φόρτισης στην μπαταρία και κατόπιν θα σβήσουν.

Όταν είναι σε χρήση η χλοοκοπτική μηχανή, θα εμφανίζεται το τρέχον επίπεδο φόρτισης για την επιλεγμένη, ενεργή μπαταρία.

- ◆ Όταν ενεργοποιηθεί για πρώτη φορά η χλοοκοπτική μηχανή, όλες οι ενδεικτικές λυχνίες LED του πίνακα ελέγχου (10) θα ανάψουν προσωρινά.
- ◆ Οι λυχνίες LED του πίνακα ελέγχου στην πλευρά της ανενεργής μπαταρίας θα σβήσουν.
- ◆ Οι λυχνίες LED του πίνακα ελέγχου στην πλευρά της ενεργής μπαταρίας (17) θα παραμείνουν αναμμένες και οι τρεις ενδεικτικές λυχνίες LED επιπέδου φόρτισης (18) θα υποδεικνύουν το ποσοστό φόρτισης της μπαταρίας. (Δείτε τον πίνακα στην Εικόνα Α.)
- ◆ Αν δεν ανάψει καμία LED για την ενεργή μπαταρία, γυρίστε το κουμπί επιλογής μπαταρίας (11) στην ανενεργή μπαταρία. Αν δεν ανάψουν οι LED καμιάς μπαταρίας, φορτίστε την μπαταρία.

**Σημείωση:** Για να ανάψουν οι LED και να λάβουν χώρα οι λειτουργίες που περιγράφονται πρέπει να έχει εισαχθεί το κλειδί ασφαλείας.

**Πακέτο μπαταρίας DUALVOLT 54V (Εικ. C1.)**

Το πακέτο μπαταρίας Dualvolt 54V μπορεί να χρησιμοποιηθεί σε εργαλεία μπαταρίας 54V και 18V της Black+Decker. Η μπαταρία μπορεί να αναγνωρίσει το εργαλείο στο οποίο έχει εισαχθεί και θα λειτουργήσει στην αντίστοιχη ισχύ, παρέχοντας μεγαλύτερο χρόνο λειτουργίας σε εργαλεία 18V. Υπάρχει ένα κουμπί κατάστασης φόρτισης (16b) με το οποίο μπορείτε να δείτε το επίπεδο φόρτισης και στις δύο τάσεις 54V και 18V.

**Συναρμολόγηση**

**Προειδοποίηση!** Πριν τη συναρμολόγηση, βεβαιωθείτε ότι η λαβή λειτουργίας είναι απελευθερωμένη και το κλειδί ασφαλείας έχει αφαιρεθεί.

**Τοποθέτηση της κάτω λαβής**

- ◆ Ανοψώστε την κάτω λαβή (4) στη θέση της διασφαλίζοντας ότι το βέλος (19) στη βάση της χλοοκοπτικής μηχανής ευθυγραμμίζεται με το 1, 2 ή S στη βάση της λαβής (20) (ένθετο της Εικόνας F)

**Σημείωση!** Βεβαιωθείτε ότι κάθε πλευρά της κάτω λαβής ρυθμίζεται στον ίδιο αριθμό. Το βέλος πρέπει να είναι ευθυγραμμισμένο με το 1 ή 2 για τη λειτουργία.

- ◆ Κλείστε τους μοχλούς ρύθμισης ύψους λαβής (6) όπως δείχνει η εικόνα F. Καθώς κλείνετε τον καθένα, βεβαιωθείτε ότι τα δόντια συμπλέκονται όπως δείχνει η εικόνα G.
- ◆ Αν η σύνδεση ανάμεσα στη λαβή και στο μοχλό είναι πολύ σφιχτή ή πολύ χαλαρή, ανοίξτε το μοχλό και ρυθμίστε το βάθος του μοχλού περιστρέφοντας το μοχλό. Κλείστε τον πάλι έως ότου τα δόντια έχουν συσφιχτεί πλήρως και κάθε μοχλός παραμένει καλά κλεισμένος.

## Τοποθέτηση της πάνω λαβής (εικ. Η)

Η πάνω λαβή έχει τρεις διαφορετικές οπές θέσης στερέωσης (21) για να ρυθμίζεται το μήκος της λαβής από το δάπεδο της μηχανής. Το πρώτο σετ οπών κοντά στο κάτω μέρος του σωλήνα της πάνω λαβής επιτρέπει μέγιστο μήκος λαβής.

Η χρήση της μεσαίας και της πάνω θέσης στερέωσης προσφέρει μειωμένο μήκος λαβής

- ◆ Αφαιρέστε από τη λαβή τους μοχλούς τοποθέτησης της πάνω λαβής (5), τα παξιμάδια (22) και τις ροδέλες (23).
- ◆ Ευθυγραμμίστε τις οπές στο κάτω μέρος της πάνω λαβής (3) με τις οπές στο πάνω μέρος της κάτω λαβής (4).

**Σημείωση:** Βεβαιωθείτε ότι το καλώδιο βρίσκεται μπροστά και από τις δύο λαβές όπως δείχνει η Εικόνα Ι. Αν δεν είναι, μπορεί να προκληθεί μπέρδεμα του καλωδίου και να μην είναι επιφύλι η εύκολη αποθήκευση της χλοοκοπτικής μηχανής.

- ◆ Από το εξωτερικό μέρος της πάνω λαβής (3), περάστε το μπουλόνι του μοχλού μέσα από τις οπές.
- ◆ Περάστε τη ροδέλα πάνω στο μπουλόνι του μοχλού και συναρμολογήστε χαλαρά ολόκληρο το συγκρότημα με το παξιμάδι.
- ◆ Περιστρέψτε την πάνω λαβή στη θέση λειτουργίας της.
- ◆ Κλείστε το μοχλό. Αν είναι πολύ σφιχτός ή πολύ χαλαρός, ανοίξτε το μοχλό και το παξιμάδι για να ρυθμίσετε τη σύσφιξη. Ελέγξτε τους μοχλούς κλείνοντάς τους. Θα πρέπει να είναι τόσο σφιχτοί ώστε οι λαβές να συγκρατούνται σταθερά, αλλά αρκετά χαλαροί ώστε οι μοχλοί να μπορούν να κλείσουν πλήρως. Ρυθμίστε ανοίγοντας το μοχλό και περιστρέφοντας το παξιμάδι έως ότου έχουν ασφαλιστεί οι λαβές.

## Ασφάλιση του καλωδίου του μοτέρ (Εικ. Ι)

**Προειδοποίηση:** Συνδέστε το καλώδιο ώστε να μην είναι πολύ τεντωμένο ή να μην πιαστεί στις ενώσεις των λαβών κατά τη χρήση ή την αναδιπλώση. Αυτό μπορεί να προκαλέσει ζημιά στο καλώδιο.

Το καλώδιο του μοτέρ πρέπει να στερεωθεί στις λαβές με χρήση των σφιγκτήρων καλωδίου που είναι ήδη συνδεδεμένοι στη λαβή.

Για να κουμπώσετε το καλώδιο στη λαβή:

- ◆ Τοποθετήστε τις λαβές σε θέση λειτουργίας, βλέπε την ενότητα "Τοποθέτηση της κάτω λαβής".
- ◆ Περάστε το καλώδιο προς τα πάνω από το μπροστινό μέρος της κάτω και πάνω λαβής.
- ◆ Τραβήξτε πίσω το σφιγκτήρα καλωδίου.
- ◆ Περάστε το καλώδιο του μοτέρ κάτω από το κλιπ και βεβαιωθείτε ότι συγκρατείται πλήρως στη θέση του από το σφιγκτήρα καλωδίου.

## Συλλογή σε σάκο

**Προειδοποίηση:** Αφαιρέστε το κλειδί και τα πακέτα μπαταριών πριν αφαιρέσετε το πρόσθετο εξάρτημα πλευρικής εξαγωγής και το ένθετο τεμαχισμού, και όταν ανοίξετε το κάλυμμα της πίσω πόρτας και εγκαθιστάτε το σάκο.

- ◆ Βεβαιωθείτε ότι το πρόσθετο εξάρτημα πλευρικής εξαγωγής (26) (Εικόνα Μ) και το ένθετο τεμαχισμού (27) (Εικόνα Λ) έχουν αφαιρεθεί από τη χλοοκοπτική μηχανή πριν την έναρξη συλλογής σε σάκο.
- ◆ Ανυψώστε το κάλυμμα (9) της πίσω πόρτας και τοποθετήστε το σάκο συλλογής γρασιδιού (8) πάνω στη χλοοκοπτική μηχανή ώστε τα άγκιστρα (28) του σάκου να στηρίζονται πάνω στα ωτία (29) όπως δείχνει η Εικόνα Κ. Κατόπιν κατεβάστε το κάλυμμα της πίσω πόρτας.

## Τεμαχισμός

**Προειδοποίηση!** Αφαιρέστε το κλειδί και τα πακέτα μπαταριών πριν αφαιρέσετε το πρόσθετο εξάρτημα πλευρικής εξαγωγής και το σάκο συλλογής, και όταν τοποθετείτε το ένθετο τεμαχισμού.

- ◆ Βεβαιωθείτε ότι δεν έχουν συνδεθεί το πρόσθετο εξάρτημα πλευρικής εξαγωγής (26) και ο σάκος συλλογής (8).
- ◆ Ανυψώστε το κάλυμμα της πίσω πόρτας (9) και τοποθετήστε το ένθετο τεμαχισμού (27) πλήρως μέσα στη χλοοκοπτική μηχανή όπως δείχνει η Εικόνα Λ.
- ◆ Βεβαιωθείτε ότι το κάλυμμα της πίσω πόρτας κλείνει τελείως, πριν ενεργοποιήσετε τη χλοοκοπτική μηχανή.

## Πλευρική εξαγωγή

**Προειδοποίηση!** Αφαιρέστε το κλειδί και τα πακέτα μπαταριών πριν αφαιρέσετε το σάκο συλλογής και όταν τοποθετείτε το ένθετο τεμαχισμού και το πρόσθετο εξάρτημα πλευρικής εξαγωγής.

- ◆ Βεβαιωθείτε ότι έχει αφαιρεθεί ο σάκος συλλογής (8).
- ◆ Ανυψώστε το πίσω κάλυμμα (9) και τοποθετήστε το ένθετο τεμαχισμού (27) πλήρως μέσα στη χλοοκοπτική μηχανή όπως δείχνει η Εικόνα Λ.
- ◆ Ανυψώστε το πλευρικό κάλυμμα (30) και αγκιστρώστε το πρόσθετο εξάρτημα πλευρικής εξαγωγής (26) μέσα στη χλοοκοπτική μηχανή όπως δείχνει η Εικόνα Μ.
- ◆ Ελευθερώστε το πλευρικό κάλυμμα και βεβαιωθείτε ότι το πρόσθετο εξάρτημα διατηρείται στη θέση του πριν ενεργοποιήσετε τη χλοοκοπτική μηχανή όπως φαίνεται στο ένθετο της Εικόνας Μ.

## Λειτουργία

Διαβάστε αυτό το εγχειρίδιο οδηγιών πριν χρησιμοποιήσετε τη χλοοκοπτική μηχανή σας.

Δείτε το τμήμα "Χαρακτηριστικά" για να εξοικειωθείτε με τη θέση διάφορων χειριστηρίων και ρυθμίσεων. Φυλάξτε το παρόν εγχειρίδιο για μελλοντική αναφορά.

**Προειδοποίηση!** Αφήνετε τη χλοοκοπτική μηχανή να λειτουργεί με το δικό του ρυθμό. Μην την υπερφορτώνετε.

**Προειδοποίηση!** Διατηρείτε τις λεπίδες κοφτερές.



Μη χρησιμοποιήσετε τη χλοοκοπτική μηχανή σε λειτουργία πλευρικής εξαγωγής ή σε λειτουργία τεμαχισμού αν η πίσω πόρτα δεν έχει κλειστεί με τη δύναμη του ελατηρίου, καθώς μπορεί να προκληθεί σοβαρός τραυματισμός. Παραδώστε τη χλοοκοπτική σας μηχανή στο πιο κοντινό κέντρο σέρβις για επισκευή.

### Ρύθμιση ύψους λαβής (εικ. N)

- ◆ Ανοίξτε και τους δύο μοχλούς σύνδεσης (6) της κάτω λαβής.
- ◆ Ανυψώστε τη λαβή έτσι ώστε το βέλος (19) στη βάση της χλοοκοπτικής μηχανής ευθυγραμμίζεται με το 1 ή το 2 στη βάση της λαβής (20).
- ◆ Βεβαιωθείτε ότι η λαβή έχει τεθεί στον ίδιο αριθμό και στις δύο πλευρές της χλοοκοπτικής μηχανής.
- ◆ Κλείστε και τους δύο μοχλούς και βεβαιωθείτε ότι η λαβή έχει ασφαλιστεί σταθερά και τα δόντια έχουν συμπλεχτεί όπως δείχνει το ένθετο.

### Ρύθμιση ύψους χλοοκοπτικής μηχανής (εικ. O)

Το ύψος κοπής ρυθμίζεται από τον κεντρικό μοχλό ρύθμισης ύψους κοπής - υπάρχουν 7 θέσεις για να επιλέξετε.

Σημείωση: Αν δεν είστε βέβαιοι για το ύψος κοπής, αρχίστε το κούρεμα με το μοχλό ρύθμισης ύψους (7) στη θέση 7 και ρυθμίστε το ύψος προς τα κάτω όπως χρειάζεται, όπως δείχνει η εικόνα O.

Για να ρυθμίσετε το ύψος κοπής:

- ◆ Τραβήξτε το μοχλό ρύθμισης ύψους της χλοοκοπτικής μηχανής (7) έξω από την εγκοπή ασφάλισης (31).
- ◆ Μετακινήστε το μοχλό προς το πίσω μέρος της συσκευής για να αυξήσετε το ύψος κοπής.
- ◆ Μετακινήστε το μοχλό προς το μπροστινό μέρος της συσκευής για να μειώσετε το ύψος κοπής.
- ◆ Πιέστε το μοχλό ρύθμισης ύψους σε μια από τις επτά εγκοπές ασφάλισης.

### Κλειδί ασφαλείας

Για να αποτρέψετε την αβέλγη εκκίνηση ή τη μη εξουσιοδοτημένη χρήση της χλοοκοπτικής μηχανής μπαταρίας, στο σχεδιασμό της μηχανής έχει προβλεφθεί ένα αφαιρούμενο κλειδί ασφαλείας (32). Η χλοοκοπτική μηχανή θα είναι τελείως απενεργοποιημένη όταν έχει αφαιρεθεί το κλειδί ασφαλείας.

**Σημείωση:** Το κλειδί ασφαλείας έχει μια οπή στο κέντρο του για να επιτρέπει τη φύλαξη του σε ένα καρφί, μακριά από παιδιά. Μην προσδένετε το κλειδί ασφαλείας στη χλοοκοπτική μηχανή.

**Προειδοποίηση!** Οι περιστρεφόμενες λεπίδες μπορούν να προκαλέσουν σοβαρό τραυματισμό. Για να αποτρέψετε σοβαρό τραυματισμό, αφαιρείτε το κλειδί ασφαλείας όταν η χλοοκοπτική μηχανή δεν επιτηρείται ή όταν φορτίζετε, καθαρίζετε, συντηρείτε, μεταφέρετε, ανυψώνετε ή αποθηκεύετε τη χλοοκοπτική μηχανή.

**Θέση σε λειτουργία της χλοοκοπτικής μηχανής Προειδοποίηση!** Διατηρείτε τις λεπίδες κοφτερές. Μην προσπαθήσετε ποτέ να παρακάμψετε τη λειτουργία αυτού του κουτιού διακόπτη, καθώς μπορεί να προκληθεί σοβαρός τραυματισμός.

**Σημείωση:** Η χλοοκοπτική μηχανή είναι λειτουργική όταν έχει εγκατασταθεί μπαταρία και το κλειδί ασφαλείας.

- ◆ Εισάγετε το κλειδί ασφαλείας (32) μέσα στο περίβλημα διακόπτη (1) έως ότου εδράσει πλήρως μέσα στο περίβλημα όπως δείχνει η Εικόνα Ρ. Τώρα η χλοοκοπτική μηχανή είναι λειτουργική.
- ◆ Η χλοοκοπτική μηχανή διαθέτει ειδικό κουτί διακόπτη ενεργοποίησης -απενεργοποίησης. Για να χρησιμοποιήσετε τη χλοοκοπτική μηχανή, πατήστε το κουμπί (33) στο κουτί διακόπτη (1) και κατόπιν τραβήξτε τη λαβή λειτουργίας (2) προς το τιμόνι, όπως δείχνει η εικόνα Q. Όταν τεθεί σε λειτουργία η χλοοκοπτική μηχανή, μπορείτε να ελευθερώσετε το κουμπί.
- ◆ Για να απενεργοποιήσετε τη χλοοκοπτική μηχανή, απλά ελευθερώστε τη λαβή λειτουργίας.

**Προειδοποίηση!** Ποτέ μην επιχειρήσετε να ασφαλίσετε ένα διακόπτη ή τη λαβή λειτουργίας (2) στην ενεργοποιημένη θέση.

**Σημείωση:** Όταν η λαβή λειτουργίας επιστρέψει στην αρχική της θέση θα ενεργοποιήσει τον "αυτόματο μηχανισμό πέδησης". Στο μωτέρ εφαρμόζεται ηλεκτρική πέδηση και τη λεπίδα της χλοοκοπτικής μηχανής θα σταματήσει να περιστρέφεται σε 3 δευτερόλεπτα ή συντομότερα.

### Υπερφόρτωση της χλοοκοπτικής μηχανής

Για να αποτρέψετε ζημιά λόγω συνθηκών υπερφόρτωσης, μην επιχειρείτε να αφαιρείτε πάρα πολύ γρασίδι με τη μία. Μειώστε το ρυθμό κοπής ή αυξήστε το ύψος της κοπής.

### EdgeMax™

Το EdgeMax™ (14) σας επιτρέπει να κόψετε γρασίδι έως την άκρη ενός τοίχου ή φράκτη (εικ. R1).

Το EdgeMax™ σας επιτρέπει να κόψετε με ακρίβεια γρασίδι ακριβώς μέχρι τις παρυφές του γκαζόν σας (εικ. R2).

- ◆ Με τη χλοοκοπτική μηχανή παράλληλα με το άκρο του γκαζόν, στρώστε τη μηχανή κατά μήκος του άκρου. Βεβαιωθείτε ότι το EdgeMax™ έχει περάσει ελαφρά το άκρο του γκαζόν σας (εικ. R2).

**Σημείωση:** Όταν είναι συνδεδεμένο το πρόσθετο εξάρτημα πλευρικής εξαγωγής, το EdgeMax™ μπορεί να χρησιμοποιηθεί μόνο στη αριστερή πλευρά της χλοοκοπτικής μηχανής.

### Φύλαξη

**Προειδοποίηση!** Η περιστρεφόμενη λεπίδα μπορεί να προκαλέσει σοβαρό τραυματισμό.

Ελευθερώστε τη λαβή λειτουργίας (2) για να απενεργοποιήσετε τη χλοοκοπτική μηχανή, αφαιρέστε το κλειδί ασφαλείας και αφαιρέστε την μπαταρία πριν ανυψώσετε, μεταφέρετε ή αποθηκεύσετε τη χλοοκοπτική μηχανή. Αποθηκεύστε σε δροσερό μέρος.

**Προειδοποίηση!** Για να αποφύγετε εμπλοκή των δακτύλων σας, κρατάτε τα μακριά από την περιοχή ανάμεσα στις λαβές όταν διπλώνετε τις λαβές.

**Προειδοποίηση!** Βεβαιωθείτε ότι το καλώδιο δεν τεντώνεται υπερβολικά και δεν πιάνεται στις ενώσεις των λαβών όταν τις διπλώνετε. Αυτό μπορεί να προκαλέσει ζημιά στο καλώδιο.

Η λαβή της χλοοκοπτικής μηχανής μπορεί να διπλωθεί εύκολα, για γρήγορη και άνετη αποθήκευση.

- ◆ Κρατώντας τη λαβή, ανοίξτε, αλλά μην αφαιρέσετε τους μοχλούς τοποθέτησης (6) της κάτω λαβής και διπλώστε τη λαβή προς το μπροστινό μέρος της χλοοκοπτικής μηχανής όπως δείχνει η Εικόνα S.
- ◆ Ανυψώστε τη λαβή έτσι ώστε το βέλος (19) στη βάση της χλοοκοπτικής μηχανής να ευθυγραμμίζεται με το "S" (20). Βεβαιωθείτε ότι η λαβή έχει ρυθμιστεί στην ίδια θέση και στις δύο πλευρές της χλοοκοπτικής μηχανής.
- ◆ Κλείστε και τους δύο μοχλούς και βεβαιωθείτε ότι η λαβή έχει ασφαλίσει καλά.
- ◆ Ανοίξτε, αλλά μην αφαιρέσετε, τους μοχλούς τοποθέτησης (5) της πάνω λαβής και διπλώστε την πάνω λαβή (3) προς τα πίσω, πάνω από την κάτω λαβή (4) όπως φαίνεται στην Εικόνα T.
- ◆ Η χλοοκοπτική μηχανή πρέπει να διπλώνεται σε μικρότερες διαστάσεις όπως δείχνει η Εικόνα U.

## Μεταφορά της χλοοκοπτικής μηχανής

- ◆ Μπορείτε να μεταφέρετε τη χλοοκοπτική μηχανή από τις εύχρηστες λαβές μεταφοράς (13) όπως δείχνει η εικόνα V. ΜΗΝ επιχειρήσετε να ανυψώσετε τη χλοοκοπτική μηχανή πιάνοντας την πάνω λαβή (3) ή την κάτω λαβή (4).

## Συμβουλές για κούρεμα του γκαζόν

**Προειδοποίηση!** Να επιθεωρείτε πάντα την περιοχή όπου θα χρησιμοποιήσετε τη χλοοκοπτική μηχανή και να απομακρύνετε όλες τις πέτρες, ξύλα, σύρματα, κόκαλα και άλλα αντικείμενα τα οποία μπορούν να εκσφενδονιστούν από την περιστρεφόμενη λεπίδα.

**Προειδοποίηση!** Σε εδάφη με κλίση, να κουρεύετε κατά το πλάτος της κλίσης και ποτέ προς τα πάνω και κάτω. Επιδεικνύετε εξαιρετική προσοχή όταν αλλάζετε κατεύθυνση σε εδάφη με κλίση. Μην κουρεύετε σε υπερβολικά απότομες κλίσεις. Να διατηρείτε πάντα καλή στήριξη με τα πόδια.

- ◆ Ελευθερώστε τη λαβή λειτουργίας για να απενεργοποιήσετε τη χλοοκοπτική μηχανή όταν διασχίζετε επιφάνεια με χαλίκια (μπορεί να εκσφενδονιστούν πέτρες από τη λεπίδα).

- ◆ Ρυθμίστε τη χλοοκοπτική μηχανή στο μεγαλύτερο ύψος κοπής όταν κουρεύετε σε τραχύ έδαφος ή σε ψηλά αγριόχορτα. Η απομάκρυνση υπερβολικής ποσότητας γρασιδιού με τη μία μπορεί να προκαλέσει υπερφόρτωση του μοτέρ και διακοπή της λειτουργίας του. Ανατρέξτε στον οδηγό αντιμετώπισης προβλημάτων.
- ◆ Αν χρησιμοποιήσετε το σάκο συλλογής γρασιδιού (8) κατά την εποχή της ταχείας βλάστησης, το γρασίδι μπορεί να έχει την τάση να φράζει το άνοιγμα εξαγωγής. Ελευθερώστε τη λαβή λειτουργίας για να απενεργοποιήσετε τη χλοοκοπτική μηχανή και αφαιρέστε το κλειδί ασφαλείας. Αφαιρέστε το συλλέκτη γρασιδιού και ανακινήστε τον ώστε το γρασίδι να πέσει στο πίσω άκρο του σάκου.
- ◆ Επίσης, καθαρίστε τυχόν γρασίδι ή υπολείμματα που μπορεί να έχουν συσσωρευτεί περιμετρικά στο άνοιγμα εξαγωγής. Επανατοποθετήστε το συλλέκτη γρασιδιού.
- ◆ Αν η χλοοκοπτική μηχανή παρουσιάσει ασυνήθιστους κραδασμούς, ελευθερώστε τη λαβή λειτουργίας για να απενεργοποιήσετε τη χλοοκοπτική μηχανή και αφαιρέστε το κλειδί ασφαλείας. Ελέγξτε άμεσα για την αιτία. Οι δονήσεις είναι προειδοποίηση προβλημάτων. Μη χρησιμοποιήσετε τη χλοοκοπτική μηχανή μέχρι να γίνει έλεγχος από το σέρβις. Ανατρέξτε στον οδηγό αντιμετώπισης προβλημάτων στο εγχειρίδιο.
- ◆ Πάντα να ελευθερώνετε τη λαβή λειτουργίας για να απενεργοποιείτε τη χλοοκοπτική μηχανή όταν αφήνετε τη μηχανή χωρίς επιτήρηση ακόμη και για μικρό χρονικό διάστημα.

## Συμβουλές για βέλτιστη απόδοση

- ◆ Μειώστε την ταχύτητα κίνησης σε περιοχές όπου το γρασίδι είναι ιδιαίτερα ψηλό ή πυκνό.
- ◆ Αποφεύγετε να κουρεύετε το γρασίδι όταν είναι βρεγμένο από βροχή ή έχει μουσκέψει από δροσιά.
- ◆ Κουρεύετε το γκαζόν σας συχνά, ειδικά κατά τις περιόδους ταχείας ανάπτυξης.

**Σημείωση:** Συνιστάται να επαναφορτίζετε τη χλοοκοπτική μηχανή μετά τη χρήση, για να επιμηκύνετε τη διάρκεια ζωής της μπαταρίας.

Η συχνή φόρτιση δεν θα βλάψει την μπαταρία σας, ενώ θα διασφαλίσει ότι η μπαταρία είναι πλήρως φορτισμένη και έτοιμη για την επόμενη χρήση της. Η αποθήκευση της μπαταρίας σε μη πλήρως φορτισμένη κατάσταση θα μειώσει τη διάρκεια ζωής της μπαταρίας.

## Αφαίρεση και εγκατάσταση της λεπίδας

**Προειδοποίηση!** Όταν επανασυναρμολογείτε το σύστημα λεπίδων, να βεβαιώνεστε ότι κάθε εξάρτημα έχει επανεγκατασταθεί σωστά, όπως περιγράφεται παρακάτω.

Η ακατάλληλη συναρμολόγηση της λεπίδας ή άλλων εξαρτημάτων του συστήματος λεπίδας μπορεί να προκαλέσει σοβαρό τραυματισμό.

**Προειδοποίηση!** Ελευθερώστε τη λαβή λειτουργίας για να απενεργοποιήσετε τη χλοοκοπτική μηχανή, περιμένετε να σταματήσει η λεπίδα και αποσυνδέστε τη χλοοκοπτική μηχανή από την πρίζα.

- ◆ Κόψτε ένα κομμάτι ξύλου διατομής 5x10 εκ. (34) (μήκους περίπου 610 mm) για να εμποδίσετε την περιστροφή της λεπίδας κατά την αφαίρεση του μπουλονιού (35).
- ◆ Να φοράτε γάντια και κατάλληλα προστατευτικά των ματιών.
- ◆ Γυρίστε τη χλοοκοπτική μηχανή στο πλάι της. Προσέχετε τις κοφτερές άκρες της λεπίδας. Τοποθετήστε το ξύλο και ξεβιδώστε το μπουλόνι με κλειδί 13 mm (36), όπως δείχνει η εικόνα W.
- ◆ Σημειώστε τον προσανατολισμό κάθε εξαρτήματος καθώς το αφαιρείτε. Αφαιρέστε το μπουλόνι (35) και τη ροδέλα (37). Τραβήξτε και αφαιρέστε τη λεπίδα (38) όπως φαίνεται στην Εικόνα X. Δεν πρέπει να αφαιρέσετε τον ανεμιστήρα (39). Εξετάστε όλα τα μέρη για ζημιές και αντικαταστήστε αν χρειάζεται.
- ◆ Η λεπίδα μπορεί να συνδεθεί στον ανεμιστήρα μόνο σε μία κατεύθυνση. Για την επανατοποθέτηση, ευθυγραμμίστε την οπή σχήματος D της λεπίδας με την προεξοχή σχήματος D του ανεμιστήρα και βεβαιωθείτε ότι η επιγραφή πάνω στη λεπίδα κοιτάζει προς τα έξω, αντίθετα με τη χλοοκοπτική μηχανή.
- ◆ Για να σφίξετε, τοποθετήστε το κομμάτι του ξύλου όπως δείχνει η Εικόνα Y, για να εμποδίσετε να περιστραφεί η λεπίδα. Περάστε το μπουλόνι μέσα από τη ροδέλα και σφίξτε το μπουλόνι δεξιόστροφα στη θέση τους χρησιμοποιώντας ένα κλειδί 13 mm (36) όπως δείχνει η Εικόνα Y.

### Ακόνισμα της λεπίδας

Διατηρείτε τη λεπίδα κοφτερή για να έχετε την καλύτερη δυνατή απόδοση από τη χλοοκοπτική μηχανή. Μια στομωμένη λεπίδα δεν κόβει καλά το γρασίδι. Χρησιμοποιείτε κατάλληλη προστασία ματιών ενώ αφαιρείτε, ακονίζετε και εγκαθιστάτε τη λεπίδα. Βεβαιωθείτε ότι έχουν αφαιρεθεί το κλειδί ασφαλείας και το πακέτο μπαταρίας. Το καθάρισμα της λεπίδας δύο φορές κατά τη διάρκεια της εποχής κουρέματος του γκαζόν είναι συνήθως αρκετό υπό κανονικές συνθήκες. Το αμμώδες χώμα στομώνει τη λεπίδα γρήγορα. Αν το γκαζόν σας έχει αμμώδες έδαφος, ίσως να απαιτείται συχνότερο ακόνισμα της λεπίδας.

**Σημείωση:** Αντικαταστήστε άμεσα τη λεπίδα αν έχει λυγίσει ή έχει υποστεί ζημιά.

Όταν ακονίζετε τη λεπίδα:

- ◆ Βεβαιωθείτε ότι η λεπίδα παραμένει ζυγοσταθμισμένη.

- ◆ Ακονίζετε τη λεπίδα στην αρχική της γωνία κοπής.
- ◆ Ακονίζετε τις άκρες κοπής και από τις δύο πλευρές της λεπίδας, αφαιρώντας ίσες ποσότητες υλικού και από τα δύο άκρα.

### Για να ακονίσετε λεπίδα σε μέγγενη (εικ. V)

- ◆ Βεβαιωθείτε ότι έχετε ελευθερώσει τη λαβή λειτουργίας, ότι η λεπίδα έχει σταματήσει και η χλοοκοπτική μηχανή έχει αποσυνδεθεί από την πρίζα, πριν αφαιρέσετε τη λεπίδα.
- ◆ Αφαιρέστε τη λεπίδα από τη χλοοκοπτική μηχανή. Δείτε τις οδηγίες για αφαίρεση και εγκατάσταση της λεπίδας.
- ◆ Στερεώστε τη λεπίδα (38) σε μια μέγγενη (40).
- ◆ Φοράτε κατάλληλη προστασία ματιών και γάντια και προσέχετε να μην κοπείτε. Λιμάρτε προσεκτικά τις άκρες κοπής της λεπίδας με μια λίμα με λεπτές οδοντώσεις (41) ή με μια πέτρα ακονίσματος, διατηρώντας τη γωνία της αρχικής άκρης κοπής. Ελέγξτε τη ζυγοστάθμιση της λεπίδας. Δείτε τις οδηγίες σχετικά με τη ζυγοστάθμιση της λεπίδας.
- ◆ Επανατοποθετήστε τη λεπίδα στη χλοοκοπτική μηχανή και σφίξτε την καλά.

### Ζυγοστάθμιση της λεπίδας

Ελέγξτε τη ζυγοστάθμιση της λεπίδας (38) τοποθετώντας την κεντρική της οπή πάνω σε ένα καρφί ή σε ένα κατασβίδι με στρογγυλό στέλεχος, που έχει συσφιχτεί οριζόντια σε μέγγενη. Αν κάποιο από τα δύο άκρα της λεπίδας περιστρέφεται προς τα κάτω, λιμάρτε κατά μήκος της αιχμηρής ακμής αυτού του άκρου που πέφτει. Η λεπίδα είναι σωστά ζυγοσταθμισμένη όταν δεν πέφτει κανένα από τα δύο άκρα.

### Λίπανση

Δεν απαιτείται λίπανση. Μη λιπαίνετε τους τροχούς. Έχουν πλαστική επίστρωση η οποία δεν χρειάζεται λίπανση.

### Καθαρισμός

Ελευθερώστε τη λαβή λειτουργίας (2) για να απενεργοποιήσετε τη χλοοκοπτική μηχανή, αφήστε τη λεπίδα να σταματήσει και κατόπιν αφαιρέστε το κλειδί ασφαλείας. Για τον καθαρισμό της μηχανής, χρησιμοποιήστε αποκλειστικά ήπιο σαπούνι και υγρό πανί. Καθαρίστε τυχόν κομμάτια γρασιδιού που μπορεί να έχουν συσσωρευτεί από την κάτω πλευρά του δαπέδου της μηχανής. Μετά από αρκετές χρήσεις, ελέγξτε όλους τους εκτεθειμένους συνδέσμούς εάν είναι σφιγμένους καλά.

### Προστασία από τη διάβρωση

Λιπάσματα και άλλα χημικά κήπου περιέχουν παράγοντες που επιταχύνουν σε μεγάλο βαθμό τη διάβρωση των μετάλλων.

Εάν κουρευείτε γκαζόν σε περιοχές όπου έχουν χρησιμοποιηθεί λιπάσματα ή χημικά, πρέπει να καθαρίζετε τη χλοοκοπτική αμέσως μετά τη χρήση της ως εξής: Ελευθερώστε τη λαβή λειτουργίας (2) για να απενεργοποιήσετε τη χλοοκοπτική μηχανή και αποσυνδέστε τη χλοοκοπτική μηχανή από την πρίζα. Σκουπίστε όλα τα εκτεθειμένα μέρη με ένα υγρό πανί.

## Συντήρηση

Αυτή η συσκευή/το εργαλείο ρεύματος/μπαταρίας της BLACK+DECKER έχει σχεδιαστεί έτσι ώστε να λειτουργεί για μεγάλο χρονικό διάστημα με την ελάχιστη δυνατή συντήρηση. Η αδιάλειπτη και ικανοποιητική λειτουργία του εργαλείου/συσκευής εξαρτάται από τη φροντίδα και τον τακτικό καθαρισμό του.

**Προειδοποίηση!** Πριν πραγματοποιήσετε οποιαδήποτε συντήρηση σε ηλεκτρικά εργαλεία ρεύματος/μπαταρίας:

- ◆ Απενεργοποιήστε και αποσυνδέστε τη συσκευή/το εργαλείο από την πρίζα.
- ◆ Ή χρησιμοποιήστε τη συσκευή μέχρι να εξαντληθεί πλήρως η μπαταρία, αν είναι ενσωματωμένη, και στη συνέχεια απενεργοποιήστε τη συσκευή.
- ◆ Πριν τον καθαρισμό του φορτιστή αποσυνδέστε τον από την πρίζα. Ο φορτιστής σας δεν χρειάζεται καμία άλλη συντήρηση πέραν του τακτικού καθαρισμού.
- ◆ Να καθαρίζετε τακτικά τις εγχοπές εξερισμού του εργαλείου/της συσκευής και του φορτιστή με μια μαλακή βούρτσα ή ένα στεγνό πανί.
- ◆ Να καθαρίζετε τακτικά το περίβλημα του μοτέρ με ένα ελαφρά υγρό πανί. Μη χρησιμοποιείτε καθαριστικά που χαράζουν ή περιέχουν διαλύτες.
- ◆ Χρησιμοποιείτε τακτικά μια μη αιχμηρή ζύστρα για να αφαιρέσετε το γρασίδι και το χώμα από το κάτω μέρος του προστατευτικού.

## Αντιμετώπιση προβλημάτων

Αν η συσκευή σας φαίνεται να μη λειτουργεί σωστά, ακολουθήστε τις παρακάτω οδηγίες. Αν αυτό δεν σας βοηθήσει να επιλύσετε το πρόβλημα, επικοινωνήστε με το πλησιέστερο κέντρο επισκευών της BLACK+DECKER.

**Προειδοποίηση!** Πριν συνεχίσετε, απελευθερώστε τη μπάρα λειτουργίας για να απενεργοποιήσετε τη χλοοκοπτική μηχανή και περιμένετε να σταματήσει η λεπίδα.

Πρόβλημα	Πιθανή λύση
Η χλοοκοπτική μηχανή δεν λειτουργεί όταν ενεργοποιείται η λαβή λειτουργίας.	<p>Ελέγξτε για να βεβαιωθείτε ότι η χλοοκοπτική μηχανή έχει συνδεθεί σωστά στο ρεύμα και ότι το κουμπί στο κουτί διακόπτη έχει πατηθεί τελείως πριν τραβήξετε τη λαβή λειτουργίας.</p> <p>Ελευθερώστε τη λαβή λειτουργίας για να απενεργοποιήσετε τη χλοοκοπτική μηχανή. Αφαιρέστε το κλειδί ασφαλείας και το πακέτο μπαταρίας, γυρίστε τη χλοοκοπτική μηχανή ανάποδα και ελέγξτε ότι η λεπίδα μπορεί να περιστρέφεται ελεύθερα.</p> <p>Ελέγξτε ότι ο χώρος της μπαταρίας δεν έχει υπολείμματα βρωμιάς και ότι η μπαταρία είναι συνδεδεμένη σωστά.</p> <p>Είναι η μπαταρία πλήρως φορτισμένη; Πιέστε το κουμπί κατάστασης φόρτισης.</p>
Το μοτέρ σταματάει ενώ κουρευείτε το γκαζόν.	<p>Ελευθερώστε τη λαβή λειτουργίας για να απενεργοποιήσετε τη χλοοκοπτική μηχανή. Αφαιρέστε το κλειδί ασφαλείας και το πακέτο μπαταρίας, γυρίστε τη χλοοκοπτική μηχανή ανάποδα και ελέγξτε ότι η λεπίδα μπορεί να περιστρέφεται ελεύθερα.</p> <p>Αυξήστε το ύψος κοπής των τροχών στην πιο ψηλή θέση και θέστε σε λειτουργία τη χλοοκοπτική μηχανή.</p> <p>Ελέγξτε ότι ο χώρος της μπαταρίας δεν έχει υπολείμματα βρωμιάς και ότι η μπαταρία είναι συνδεδεμένη σωστά.</p> <p>Είναι η μπαταρία πλήρως φορτισμένη; Πιέστε το κουμπί κατάστασης φόρτισης.</p> <p>Αποφύγετε την υπερφόρτωση της χλοοκοπτικής μηχανής. Χαμηλώστε το ρυθμό κοπής ή αυξήστε το ύψος της κοπής.</p>
Η χλοοκοπτική μηχανή λειτουργεί αλλά η απόδοση κοπής δεν είναι ικανοποιητική.	<p>Ελευθερώστε τη λαβή λειτουργίας για να απενεργοποιήσετε τη χλοοκοπτική μηχανή. Αποσυνδέστε τη χλοοκοπτική μηχανή από την πρίζα. Γυρίστε τη χλοοκοπτική μηχανή ανάποδα και ελέγξτε:</p> <ul style="list-style-type: none"> <li>◆ Τη λεπίδα για αιχμηρότητα - Διατηρείτε τη λεπίδα αιχμηρή.</li> <li>◆ Το κάλυμμα και τη χονάνη εξαναγωγής για απόφραξη.</li> </ul> <p>Μπορεί το ύψος των τροχών να έχει ρυθμιστεί πολύ χαμηλά για την κατάσταση του γκαζόν. Αυξήστε το ύψος κοπής.</p>
Είναι πολύ δύσκολο να στρώσετε τη χλοοκοπτική μηχανή.	Ελευθερώστε τη λαβή λειτουργίας για να απενεργοποιήσετε τη χλοοκοπτική μηχανή. Αποσυνδέστε τη χλοοκοπτική μηχανή από την πρίζα. Αυξήστε το ύψος κοπής για να μειώσετε την αντίσταση τριβής του δαπέδου της μηχανής πάνω στο γρασίδι. Ελέγξτε τον κάθε τροχό εάν περιστρέφεται ελεύθερα

Πρόβλημα	Πιθανή λύση
Η χλοοκοπτική μηχανή παράγει ασυνήθιστο θόρυβο και κραδασμούς.	Ελευθερώστε τη λαβή λειτουργίας για να απενεργοποιήσετε τη χλοοκοπτική μηχανή. Αποσυνδέστε τη χλοοκοπτική μηχανή από την πρίζα. Γυρίστε τη χλοοκοπτική μηχανή στο πλάι και ελέγξτε τη λεπίδα για να διασφαλίσετε ότι δεν έχει λυγίσει ή υποστεί ζημιά. Αν η λεπίδα έχει υποστεί ζημιά, αντικαταστήστε την με ανταλλακτική λεπίδα BLACK+DECKER. Εάν το κάτω μέρος του διαπέδου της χλοοκοπτικής μηχανής έχει υποστεί ζημιά, παραδώστε τη μηχανή σε εξουσιοδοτημένο κέντρο σέρβις BLACK+DECKER.  Εάν δεν υπάρχει ορατή ζημιά στη λεπίδα και η μηχανή ακόμη παρουσιάζει κραδασμούς: <ul style="list-style-type: none"> <li>◆ Ελευθερώστε τη λαβή λειτουργίας για να απενεργοποιήσετε τη χλοοκοπτική μηχανή.</li> <li>◆ Αποσυνδέστε τη χλοοκοπτική μηχανή από την πρίζα.</li> <li>◆ Αποσυναρμολογήστε ολόκληρο το συγκρότημα λεπίδας όπως περιγράφεται στην ενότητα "Αφαίρεση και εγκατάσταση της λεπίδας".</li> <li>◆ Αφαιρέστε τυχόν υπολείμματα και καθαρίστε κάθε εξάρτημα.</li> <li>◆ Επανατοποθετήστε κάθε εξάρτημα όπως περιγράφεται στην ενότητα "Αφαίρεση και εγκατάσταση της λεπίδας".</li> </ul>
Δεν ανάβουν οι λαχνίες του φορτιστή μπαταρίας.	Ελέγξτε την σύνδεση του φις. Αντικαταστήστε το φορτιστή.
Η χλοοκοπτική μηχανή δεν συλλέγει το κομμένο γρασίδι με σάκο.	Φραγμένη χοάνη. Ελευθερώστε τη λαβή λειτουργίας για να απενεργοποιήσετε τη χλοοκοπτική μηχανή. Αποσυνδέστε τη χλοοκοπτική μηχανή από την πρίζα. Καθαρίστε τη χοάνη από τα κομμάτια γρασιδιού.  Αυξήστε το ύψος κοπής των τροχών για να μειώσετε το μήκος κοπής. Σάκος πλήρης. Αδειάξτε το σάκο πιο συχνά.

		CLM5448PC	CLM5448PCB
Μήκος λεπίδας	mm	48	48
Μπαταρία		BL2554	Βασική μονάδα. (Δεν παρέχεται μπαταρία)
Τάση	V <sub>DC</sub>	54/18n DUALVOLT	
Χωρητικότητα	Ah	2.5	
Τύπος		Ιόντων λιθίου	
Φορτιστής		BDC2A	Βασική μονάδα. (Δεν παρέχεται φορτιστής)
Τάση εισόδου	V <sub>AC</sub>	220 - 240	
Ρεύμα εξόδου	mA	2000 mA	
Χρόνος φόρτισης περ.	h	3,75	

Σταθμισμένη τιμή κραδασμών συστήματος χειριού/βραχίονα:  
= 4,4m/s<sup>2</sup>, αβεβαιότητα (K) = 1,5m/s<sup>2</sup>.

L<sub>n</sub> (ηχητική πίεση) 83 dB(A)  
αβεβαιότητα (K) = 2,5 dB(A)

Δήλωση συμμόρφωσης EK  
ΟΔΗΓΙΑ ΠΕΡΙ ΜΗΧΑΝΗΜΑΤΩΝ  
ΟΔΗΓΙΑ ΓΙΑ ΘΟΡΥΒΟΥΣ ΣΕ ΕΞΩΤΕΡΙΚΟΥΣ ΧΩΡΟΥΣ



CLM5448PC, CLM5448PCB Χλοοκοπτική μηχανή

Η Black & Decker δηλώνει ότι τα προϊόντα αυτά που περιγράφονται στα "τεχνικά χαρακτηριστικά" συμμορφώνονται με τα ακόλουθα:  
2006/42/ΕΚ, EN 60335-1:2012 + A11:2014,  
EN 60335-2-77:2010

## Προστασία του περιβάλλοντος



Χωριστή συλλογή. Τα προϊόντα και οι μπαταρίες που επιστημαίνονται με αυτό το σύμβολο δεν πρέπει να απορρίπτονται μαζί με τα κανονικά οικιακά απορρίμματα.

Τα προϊόντα και οι μπαταρίες περιέχουν υλικά που μπορούν να ανακτηθούν ή να ανακυκλωθούν ώστε να μειωθούν οι ανάγκες για πρώτες ύλες.

Παρακαλούμε να ανακυκλώνετε τα ηλεκτρικά προϊόντα και τις μπαταρίες σύμφωνα με τους τοπικούς κανονισμούς.

Περισσότερες πληροφορίες διατίθενται στον ιστότοπο [www.2helpU.com](http://www.2helpU.com)

## Τεχνικά χαρακτηριστικά

		CLM5448PC	CLM5448PCB
Τάση	V <sub>dc</sub>	54V	54V
Ταχύτητα χωρίς φορτίο	min <sup>-1</sup>	0 - 2900	0 - 2900
Βάρος	kg	26,62	24,15

2000/14/ΕΚ, Χλοοκοπτική μηχανή, L < 50cm, Παράρτημα VI, DEKRA Certification B.V., Utrechtseweg 310, ED Arnhem Ολλανδία Αρ. ID Διακοινωνμένου Οργανισμού: 0344 Στάθμη ηχητικής ισχύος σύμφωνα με 2000/14/ΕΚ (Άρθρο 12, Παράρτημα III, L < 50 cm):

L<sub>wn</sub> (μετρημένη ηχητική ισχύς) 89,5 dB(A)  
αβεβαιότητα (K) = 1,2 dB(A)

L<sub>wm</sub> (εγγυημένη ηχητική ισχύς) 96 dB(A)

Αυτά τα προϊόντα συμμορφώνονται επίσης με την οδηγία 2014/30/ΕΕ, 2011/65/ΕΕ. Για περισσότερες πληροφορίες, επικοινωνήστε με την Black & Decker στην παρακάτω διεύθυνση ή ανατρέξτε στο πίσω μέρος του εγχειριδίου.

Ο κάτωθι υπογεγραμμένος είναι υπεύθυνος για την κατάρτιση του τεχνικού φακέλου και δηλώνει τα παρόντα εκ μέρους της Black & Decker.



R. Laverick  
Διευθυντής σχεδιασμού  
Black & Decker Europe, 210 Bath Road, Slough,  
Berkshire, SL1 3YD  
United Kingdom  
26/08/2016

## Εγγύηση

Η Black & Decker είναι σίγουρη για την ποιότητα των προϊόντων της και προσφέρει στους καταναλωτές εγγύηση 24 μηνών από την ημερομηνία αγοράς. Αυτή η εγγύηση 75 συμπληρώνει και με κανένα τρόπο δεν παραβιάζει τα νόμιμα δικαιώματά σας. Η εγγύηση ισχύει εντός της επικράτειας των χωρών μελών της Ευρωπαϊκής Ένωσης και της Ευρωπαϊκής Ζώνης Ελεύθερων Συναλλαγών.

Για να υποβάλετε αξίωση βάσει της εγγύησης, η αξίωση θα πρέπει να είναι σύμφωνη με τους Όρους και προϋποθέσεις της Black&Decker και θα χρειαστεί να υποβάλετε απόδειξη αγοράς στον πωλητή ή σε εξουσιοδοτημένο αντιπρόσωπο σέρβις. Μπορείτε να αποκτήσετε τους Όρους και προϋποθέσεις της εγγύησης 2 ετών της Black&Decker και να μάθετε την τοποθεσία του πλησιέστερου εξουσιοδοτημένου αντιπροσώπου επισκευών στο Internet στο [www.2helpU.com](http://www.2helpU.com), ή επικοινωνώντας με το τοπικό σας γραφείο Black & Decker στη διεύθυνση που υποδεικνύεται στο παρόν εγχειρίδιο.

Παρακαλούμε επισκεφθείτε την ιστοσελίδα μας [www.black-and-decker.gr](http://www.black-and-decker.gr) για να καταχωρίσετε το νέο σας προϊόν Black & Decker και για να ενημερώνεστε για τα νέα προϊόντα και τις ειδικές προσφορές.



<b>België/Belgique/Luxembourg</b> www.blackanddecker.be enduser.be@sbdinc.com	Stanley Black & Decker Belgium BVBA Egide Walschaertsstraat 16 2800 Mechelen	Tel. NL +32 15 47 37 65 Tel. FR +32 15 47 37 66 Fax. +32 15 47 37 99
<b>Danmark</b>	Black & Decker Roskildevej 22 2620 Albertslund	kundeservice.dk@sbdinc.com www.blackanddecker.dk
<b>Deutschland</b> www.blackanddecker.de infobfge@sdbinc.com	Stanley Black & Decker Deutschland GmbH Black & Decker Str. 40, D - 65510 Idstein	Tel. 06126 21-0 Fax 06126 21-2980
<b>Ελλάδα</b> www.blackanddecker.gr greece.service@sbdinc.com	Stanley Black & Decker (ΕΛΛΑΣ) Ε.Π.Ε ΓΡΑΦΕΙΑ: Σπύριδωνος 7 & Βουλιαγμένης 166 74 Γλυφάδα - Αθήνα	Τηλ. 210-8981616 Φαξ 210-8983570
<b>SERVICE:</b>	Ημερος Τόπος 2 -Χάνι Αδάμ 193 00 Ασπρόπυργος - Αθήνα	Τηλ. Service 210-8985208 Φαξ 210-5597598
<b>España</b> www.blackanddecker.es respuesta.posventa@sbdinc.com	Stanley Black & Decker Ibérica, S.C.A. Parc de Negocis "Mas Blau" Edificio Muntadas, c/Bergadá, 1, Of. A6 08820 El Prat de Llobregat (Barcelona)	Tel. 934 797 400 Fax 934 797 419
<b>France</b> www.blackanddecker.fr	Black & Decker (France) S.A.S. 5 allée des Hêtres B.P. 30084 69579 Limonest Cédex	Tel. 04 72 20 39 20 Fax 04 72 20 39 00
<b>Helvetia</b> www.blackanddecker.ch service@rofoag.ch	ROFO AG Gewerbezone Seeblick 3213 Kleinbödingen	Tel. 026-6749393 Fax 026-6749394
<b>Italia</b> www.blackanddecker.it service.italia@sbdinc.com	Stanley Black & Decker Italia Via Energypark 6 20871 Vimercate (MB)	Tel. 039-9590200 Fax 039-9590313 Numero verde 800-213935
<b>Nederland</b> www.blackanddecker.nl enduser.nl@sbdinc.com	Stanley Black & Decker Netherlands BV Holtum Noordweg 35, 6121 RE BORN Postbus 83, 6120 AB BORN	Tel. +31 164 283 065 Fax +31 164 283 200
<b>Norge</b>	Black & Decker Postboks 4613, Nydalen 0405 Oslo	kundeservice.no@sbdinc.com www.blackanddecker.no
<b>Österreich</b> www.blackanddecker.at service.austria@sbdinc.com	Stanley Black & Decker Austria GmbH Oberlaaerstraße 248, A-1230 Wien	Tel. 01 66116-0 Fax 01 66116-614
<b>Portugal</b> www.blackanddecker.pt resposta.posvenda@sbdinc.com	Black & Decker Limited SARL Quinta da Fonte - Edifício Q55 D, Diniz Rua dos Malhães, 2 e 2A - Piso 2 Esquerdo 2770 - 071 Paço de Arcos	Tel. 214667500 Fax 214667580
<b>Suomi</b>	Black & Decker PL47 00521, Helsinki	asiakaspalvelu.fi@sbdinc.com www.blackanddecker.fi
<b>Sverige</b>	Black & Decker AB Box 94, 431 22 Mölndal	kundservice.se@sbdinc.com www.blackanddecker.se
<b>Türkiye</b> www.blackanddecker.com.tr	KALE Hırdavat ve Makina A.Ş. Defferdar Mah. Savaklar Cad. No:15 Edimekapı / Eyüp / İstanbul 34050	Tel. 0212 533 52 55 Fax. 0212 533 10 05
<b>United Kingdom &amp; Republic Of Ireland</b> www.blackanddecker.co.uk emeaservice@sbdinc.com	Black & Decker 210 Bath Road Slough, Berkshire SL1 3YD	Tel. 01753 511234 Fax 01753 512365
<b>Middle East &amp; Africa</b> www.blackanddecker.ae service.mea@sbdinc.com	Black & Decker P.O.Box - 17164 Jebel Ali Free Zone (South), Dubai, UAE	Tel. +971 4 8863030 Fax +971 4 8863333