

INSTRUCTION MANUAL

DEWALT®

XR LI-ION

DCR017-XE
CHARGER/RADIO



Definitions: Safety Guidelines

The definitions below describe the level of severity for each signal word. Please read the manual and pay attention to these symbols.

⚠ DANGER: Indicates an imminently hazardous situation which, if not avoided, **will** result in **death or serious injury**.

⚠ WARNING: Indicates a potentially hazardous situation which, if not avoided, **could** result in **death or serious injury**.

⚠ CAUTION: Indicates a potentially hazardous situation which, if not avoided, **may** result in **minor or moderate injury**.

NOTICE: Indicates a practice **not related to personal injury** which, if not avoided, **may** result in **property damage**.

IF YOU HAVE ANY QUESTIONS OR COMMENTS ABOUT THIS OR ANY DEWALT TOOL, CALL US AT: **1800 338 002** (Aust) or **0800 339 258** (NZ).

Technical Data

		DCR017
Power source		AC/DC
Mains voltage	V _{AC}	230–240
Battery voltage	V _{DC}	10.8–18
Battery type		Li-Ion
Weight	kg	5.7
Approx. charging time	min	45–120
Charge current	Amp	2.0

Safety Instructions for Charger/Radios

- **Do not abuse cord.** Never carry the charger/radio by its cord. Never pull the cord to disconnect from the socket. Keep the cord away from heat, oil and sharp edges.

- **Remove the battery pack.** Switch off before leaving it unattended. Remove the battery pack when not in use, before changing accessories or attachments and before servicing.
- This appliance is intended to be used in moderate climates.
- This appliance is not intended for use by persons (including children) with reduced physical, sensory or mental capabilities, or lack of experience and knowledge, unless they have been given supervision or instruction concerning use of the appliance by a person responsible for their safety.
- Charger/radio shall not be exposed to dripping or splashing; no objects filled with liquids, such as vases, shall be placed on it.
- No exposed flame sources, such as lighted candles, should be placed on the charger/radio.
- Mains plug is used as the disconnect device; the disconnect device (plug) shall remain readily operable.
- **Young children and the infirm.** This appliance is not intended for use by young children or infirm persons without supervision.
 - This appliance is not intended for use by persons (including children) with reduced physical, sensory or mental capabilities, or lack of experience and knowledge, unless they have been given supervision or instruction concerning use of the appliance by a person responsible for their safety.
 - Children should be supervised to ensure that they do not play with the appliance.
- **Replacement of the supply cord.** If the supply cord or plug is damaged, it must be replaced by the manufacturer or an authorised DeWALT Service Centre in order to avoid a hazard.

Important Safety Instructions for Charger/Radios

SAVE THESE INSTRUCTIONS: This manual contains important safety and operating instructions for the DCR017 charger/radio.

- Before using charger/radio, read all instructions and cautionary markings on charger, battery pack, and product using battery pack.

⚠ DANGER: Electrocutation hazard. 230 volts are present at charging terminals. Do not probe with conductive objects. Electric shock or electrocution may result.

⚠ WARNING: Shock hazard. Do not allow any liquid to get inside charger/radio. Electric shock may result.

⚠ WARNING: Batteries (battery pack) shall not be exposed to excessive heat such as sunshine, fire or the like.

⚠ CAUTION: Burn hazard. To reduce the risk of injury, charge only DeWALT rechargeable batteries. Other types of batteries may burst causing personal injury and damage.

⚠ CAUTION: Danger of explosion if internal battery is incorrectly replaced. Replace only with the same or equivalent type.

NOTICE: Under certain conditions, with the charger/radio plugged in to the power supply, the exposed charging contacts inside the charger/radio can be shorted by foreign material. Foreign materials of a conductive nature such as, but not limited to, steel wool, aluminum foil, or any buildup of metallic particles should be kept away from charger/radio cavities. Always unplug the charger/radio from the power supply when there is no battery pack in the cavity. Unplug charger/radio before attempting to clean.

- **DO NOT attempt to charge the battery pack with any charger/radio other than the one in this manual.** The charger/radio and battery pack are specifically designed to work together.
- **These charger/radios are not intended for any uses other than charging DeWALT rechargeable batteries.** Any other uses may result in risk of fire, electric shock or electrocution.
- **Do not expose charger/radio to rain or snow.**
- **Pull by plug rather than cord when disconnecting charger/radio.** This will reduce risk of damage to electric plug and cord.
- **Make sure that cord is located so that it will not be stepped on, tripped over, or otherwise subjected to damage or stress.**
- **Do not use an extension cord unless it is absolutely necessary.** Use of improper extension cord could result in risk of fire, electric shock, or electrocution.
- **Do not place any object on top of charger/radio or place the charger/radio on a soft surface that might block the ventilation slots and result in excessive internal heat.** Place the charger/radio in a position away from any heat source.
- **Do not operate charger/radio with damaged cord or plug** — have them replaced immediately.

- **Do not operate charger/radio if it has received a sharp blow, been dropped, or otherwise damaged in any way.** Take it to an authorised service center.
- **Do not disassemble charger/radio; take it to an authorised service center when service or repair is required.** Incorrect reassembly may result in a risk of electric shock, electrocution or fire.
- **Disconnect the charger/radio from the outlet before attempting any cleaning.** **This will reduce the risk of electric shock.** Removing the battery pack will not reduce this risk.
- **NEVER** attempt to connect 2 chargers together.
- **The DCR017 charger/radio is designed to operate on standard 230 V household electrical power. Do not attempt to use it on any other voltage.** This does not apply to the vehicular charger.

SAVE THESE INSTRUCTIONS

Grounding Instructions

The DCR017 (230 V) charger/radio must be grounded. In the event of malfunction or breakdown, grounding provides a path of least resistance for electric current to reduce the risk of electric shock. The charger/radio is equipped with a cord having an equipment-grounding conductor and a grounding plug. The plug must be plugged into an appropriate outlet that is properly installed and grounded in accordance with all local codes and ordinances.

⚠ DANGER: Improper connection of the equipment-grounding conductor can result in a risk of electric shock. The conductor with insulation having an outer surface that is green with yellow stripes is the equipment-grounding conductor. If repair or replacement of the cord or plug is necessary, do not connect the equipment-grounding conductor to a live terminal. Repairs shall only be performed by a DeWALT service agent. Do not modify the plug provided with the charger/radio – if it will not fit the outlet, have a proper outlet installed by a DeWALT repair agent.

FOR GROUNDED, CORD-CONNECTED CHARGER/RADIO RATED 16A AND LOWER AND INTENDED FOR USE ON A NOMINAL 230 V SUPPLY CIRCUIT

The charger/radio is for use on a nominal 230 V circuit, and has a grounding plug that looks like the plug in the following illustration.

FIG. 1 DCR017



Extension Cords

⚠ CAUTION: Use only extension cords that are approved by the country's Electrical Authority. Before using extension cords, inspect them for loose or exposed wires, damaged insulation and defective fittings. Replace the cord if necessary.

⚠ WARNING: We recommend the use of a residual current device with a residual current rating of 30mA or less.

- The label on your appliance may include the following symbols. The symbols and their definitions are as follows:

V.....volts	A.....amperes
Hz.....hertz	W.....watts
min.....minutes	~.....alternating current
==== direct current	⎓.....alternating or direct current
⚠.....Class I Construction (grounded)	⊕.....earthing terminal
□.....Class II Construction (double insulated)	⚠.....safety alert symbol
	.../min.....per minute

SAVE ALL WARNINGS AND INSTRUCTIONS FOR FUTURE REFERENCE

Important Safety Instructions for All Battery Packs

When ordering replacement battery packs, be sure to include the catalog number and voltage. Consult the chart at the end of this manual for compatibility of chargers and battery packs.

The battery pack is not fully charged out of the carton. Before using the battery pack and charger, read the safety instructions below and then follow charging procedures outlined.

READ ALL INSTRUCTIONS

- Do not charge or use the battery pack in explosive atmospheres, such as in the presence of flammable liquids, gases or dust. Inserting or removing the battery pack from the charger may ignite the dust or fumes.
- Never force the battery pack into the charger. Do not modify the battery pack in any way to fit into a non-compatible charger as battery pack may rupture causing serious personal injury. Consult the chart at the end of this manual for compatibility of batteries and chargers.
- Charge the battery packs only in designated DeWALT chargers.
- DO NOT splash or immerse in water or other liquids.
- Do not store or use the tool and battery pack in locations where the temperature may reach or exceed 40 °C (105 °F) (such as outside sheds or metal buildings in summer). For best life store battery packs in a cool, dry location.
- Batteries shall not be exposed to excessive heat such as sunshine, fire or the like.

⚠ WARNING: Fire hazard. Never attempt to open the battery pack for any reason. If the battery pack case is cracked or damaged, do not insert into the charger. Do not crush, drop or damage the battery pack. Do not use a battery pack or charger that has received a sharp blow, been dropped, run over or damaged in any way (e.g., pierced with a nail, hit with a hammer, stepped on). Damaged battery packs should be returned to the service center for recycling.

⚠ WARNING: Fire hazard. Do not store or carry the battery pack so that metal objects can contact exposed battery terminals. For example, do not place the battery pack in aprons, pockets, tool boxes, product kit boxes, drawers, etc., with loose nails, screws, keys, etc. Transporting batteries can possibly cause fires if the battery terminals inadvertently come in contact with conductive materials such as keys, coins, hand tools and the like. When transporting individual battery packs, make sure that the battery terminals are protected and well insulated from materials that could contact them and cause a short circuit.

SPECIFIC SAFETY INSTRUCTIONS FOR LITHIUM ION (Li-Ion)

- Do not incinerate the battery pack even if it is severely damaged or is completely worn out. The battery pack can explode in a fire. Toxic fumes and materials are created when lithium ion battery packs are burned.

- If battery contents come into contact with the skin, immediately wash area with mild soap and water. If battery liquid gets into the eye, rinse water over the open eye for 15 minutes or until irritation ceases. If medical attention is needed, the battery electrolyte is composed of a mixture of liquid organic carbonates and lithium salts.
- Contents of opened battery cells may cause respiratory irritation. Provide fresh air. If symptoms persist, seek medical attention.

⚠ WARNING: Burn hazard. Battery liquid may be flammable if exposed to spark or flame.

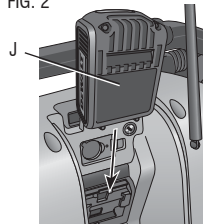
Battery Charger Function

Your DCR017 DEWALT radio can be also use as DEWALT Battery charger. Be sure to read all charger safety instruction before using this function. Only XR 10.8V, 14.4V and 18V Li-Ion slide battery are compatible with this charger.

Charging Process (Fig. 2, 3)

1. Plug the charger/radio into an appropriate outlet before inserting the battery pack.
2. Insert the battery pack (J) into the charger, as shown in Figure 1, making sure the pack is fully seated in charger. The red (charging) light will blink continuously, indicating that the charging process has started.
3. The completion of charge will be indicated by the red light remaining ON continuously. The pack is fully charged and may be used at this time or left in the charger.

FIG. 2



Refer to the Indicator Light Operation table for the state of charge of the battery pack.

The charge indicator light (I) will indicate the state of charge of the battery pack, when a battery is being charged.

Indicator Light Operation

	PACK CHARGING	— — — — —
	PACK CHARGED	—————
	HOT/COLD DELAY	—●—●—●—●—
	PROBLEM PACK OR CHARGER	●●●●●●●●
	PROBLEM POWERLINE	●● ●● ●● ●●

Charge Indicators

This charger is designed to detect certain problems that can arise. Problems are indicated by the red light flashing at a fast rate. If this occurs, re-insert the battery pack into the charger. If the problem persists, try a different battery pack to determine if the charger is working properly. If the new pack charges correctly, then the original pack is defective and should be returned to a service center or other collection site for recycling. If the new battery pack elicits the same trouble indication as the original, have the charger and the battery pack tested at an authorized service center.

HOT/COLD DELAY

This charger has a hot/cold delay feature: when the charger detects a battery that is hot, it automatically starts a delay, suspending charging until the battery has cooled. After the battery has cooled, the charger automatically switches to the pack charging mode. This feature ensures maximum battery life. The red light flashes long, then short while in the hot/cold delay mode.

LEAVING THE BATTERY PACK IN THE CHARGER

The charger and battery pack can be left connected with the charge indicator showing Pack Charged.

WEAK BATTERY PACKS: Weak batteries will continue to function but should not be expected to perform as much work.

FAULTY BATTERY PACKS: This charger will not charge a faulty battery pack. The charger will indicate faulty battery pack by refusing to light or by displaying problem pack or charger.

NOTE: This could also mean a problem with a charger.

PROBLEM POWERLINE

Some chargers have a problem powerline indicator. When the charger is used with some portable power sources such as generators or sources that convert DC to AC, the charger may temporarily suspend operation, flashing the red light with two fast blinks followed by a pause. This indicates the power source is out of limits.

Important Charging Notes

1. Longest life and best performance can be obtained if the battery pack is charged when the air temperature is between 18 °–24 °C (65 °F and 75 °F). DO NOT charge the battery pack in an air temperature below +4 °C (+40 °F), or above +40 °C (+105 °F). This is important and will prevent serious damage to the battery pack.
2. The charger and battery pack may become warm to the touch while charging. This is a normal condition, and does not indicate a problem. To facilitate the cooling of the battery pack after use, avoid placing the charger or battery pack in a warm environment such as in a metal shed or an uninsulated trailer.
3. A cold battery pack will charge at about half the rate of a warm battery pack. The battery pack will charge at that slower rate throughout the entire charging cycle and will not return to maximum charge rate even if the battery pack warms.
4. If the battery pack does not charge properly:
 - a. Check operation of receptacle by plugging in a lamp or other appliance;
 - b. Check to see if receptacle is connected to a light switch which turns power off when you turn out the lights;
 - c. Move the charger and battery pack to a location where the surrounding air temperature is approximately 18 °–24 °C (65 °F and 75 °F);
 - d. If charging problems persist, take the tool, battery pack and charger to your local service center.
5. The battery pack should be recharged when it fails to produce sufficient power on jobs which were easily done previously. DO NOT CONTINUE to use under these conditions. Follow the charging procedure. You may also charge a partially used pack whenever you desire with no adverse effect on the battery pack.
6. Foreign materials of a conductive nature such as, but not limited to, grinding dust, metal chips, steel wool, aluminum foil, or any buildup of metallic particles should be kept away from charger cavities. Always unplug the charger/radio from the

power supply when there is no battery pack in the cavity. Unplug the charger/radio before attempting to clean.

7. Do not freeze or immerse the charger in water or any other liquid.

⚠ WARNING: Shock hazard. Don't allow any liquid to get inside the charger. Electric shock may result.

⚠ WARNING: Burn hazard. Do not submerge the battery pack in any liquid or allow any liquid to enter the battery pack. Never attempt to open the battery pack for any reason. If the plastic housing of the battery pack breaks or cracks, return to a service center for recycling.

Storage Recommendations

1. The best storage place is one that is cool and dry, away from direct sunlight and excess heat or cold.
2. For long storage, it is recommended to store a fully charged battery pack in a cool dry place out of the charger for optimal results.

NOTE: Battery packs should not be stored completely depleted of charge. The battery pack will need to be recharged before use.

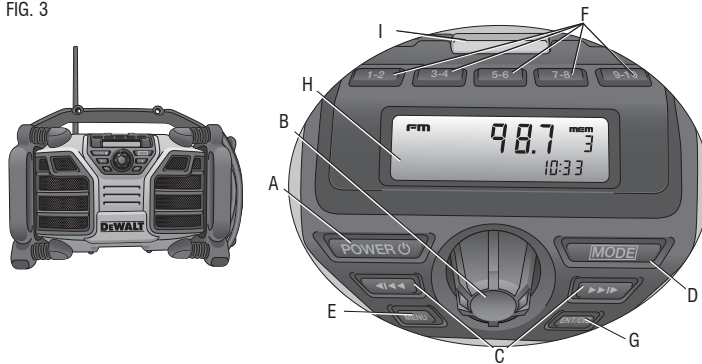
SAVE ALL WARNINGS AND INSTRUCTIONS FOR FUTURE REFERENCE

COMPONENTS (FIG. 3)

⚠ WARNING: Never modify the power tool or any part of it. Damage or personal injury could result.

- | | |
|------------------|-------------------------|
| A. Power button | F. Memory buttons |
| B. Volume dial | G. Enter/Display button |
| C. Arrow buttons | H. LCD display |
| D. Mode button | I. Charging light |
| E. Menu button | |

FIG. 3



ASSEMBLY AND ADJUSTMENTS

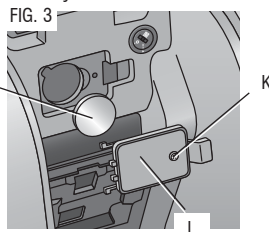
⚠ WARNING: To reduce the risk of serious personal injury, turn the tool off and disconnect the battery pack before making any adjustments or removing/installing attachments or accessories. An accidental start-up can cause injury.

To Install the Coin Cell Battery (Fig. 4)

⚠ WARNING: When replacing battery, replace it with the same brand and type. Observe correct polarity (+ and -) when replacing batteries. Do not store or carry batteries so that metal objects can contact exposed battery terminals.

Your radio is equipped with memory capacity in order to store the time and your selected memory channels. When the radio is OFF, this memory capacity is powered by one coin cell battery that is included with the radio.

1. Turn the charger/radio off and unplug from the power source.
2. Open the battery compartment by lifting the battery compartment latch.



3. Unscrew the screw (K) on the battery door (L).
4. Press down on the battery door latch and pull to open.
5. Install the coin cell battery (M) according to the diagram inside the coin cell battery area.
6. Replace the battery door, insert screw and tighten.
7. Securely close the battery compartment.

NOTE: To reset the LCD display, clock and presets, remove the coin cell battery and re-install it. Follow this procedure if the screen seems to lock in place.

OPERATION

⚠ WARNING: Always observe the safety instructions and applicable regulations.

⚠ WARNING: Do not place the charger/radio in locations where it may be exposed to dripping or splashing.

Installing and Removing the Battery Pack (Fig. 2, 5)

NOTE: To ensure maximum performance and life of Li-Ion batteries, charge the battery for a minimum of 10 hours before first use.

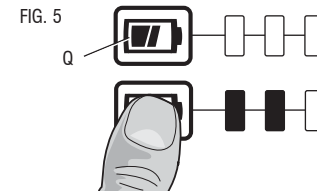
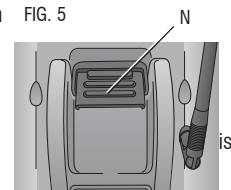
1. Release the latch (N) to open the battery compartment cover.
2. Insert the battery pack (J) into the receptacle until it fully seated.
3. Close and latch the battery compartment cover.

To remove the battery pack from the charger/radio, press the release button and firmly pull the battery pack out of the receptacle.

FUEL GAUGE BATTERY PACKS (FIG. 5)

Some DeWALT battery packs include a fuel gauge which consists of three green LED lights that indicate the level of charge remaining in the battery pack.

To actuate the fuel gauge, press and hold the fuel gauge button (Q). A combination of the three green LED lights will illuminate designating the level of charge left. When



the level of charge in the battery is below the usable limit, the fuel gauge will not illuminate and the battery will need to be recharged.

NOTE: The fuel gauge is only an indication of the charge left on the battery pack. It does not indicate tool functionality and is subject to variation based on product components, temperature and end-user application.

For more information regarding fuel gauge battery packs, please contact Stanley Black & Decker, 82 Taryn Drive, Epping, VIC 3076 Australia or call 1800 338 002 or (NZ) 0800 339 258.

AC Operation (fig. 1)

Unwrap power cord and plug into 230 V AC wall outlet.

Operating the Radio (fig. 3)

POWER/VOLUME ADJUSTMENT

1. To turn the radio on, press the power button (A).

NOTE: When the radio is first used it will enter DAB mode and automatically scan for stations. It will then set the time and start playing the first station it finds.

If there is no time signal available please refer to **Programming The Clock** to manually set the time.

2. Turn the dial (B) clockwise to increase the volume. To decrease the volume, turn anti-clockwise.

MODE SELECTION

To choose one of the mode functions (DAB, FM, or AUX) push the mode button (D) until the desired function is found. For example, if the radio is on DAB, seen in upper left portion of LCD display (H), push the mode button twice to change to AUX.

DAB MODE - TUNING

When the unit is first switched on in DAB/DAB+ mode the radio will auto scan to find broadcast stations in the local area.

Use the left or right arrow buttons (C) to scroll through the stations.

NOTE: When moving locations or if reception was poor in the original scan (possible if the antenna was not up), this may result in an empty or incomplete list of available stations. Manually running an Auto Scan will find all available broadcast stations.

To perform an Auto Scan:

1. Press the menu button (E), scroll through the options by pressing the right arrow button (C) until you reach *Auto Scan* and select this option by pressing the Enter/Display button (G).
2. Press the right arrow button to select the 'Yes' option.
3. Press the Enter/Display button (G) to perform the Auto Scan.

Once Auto Scan is complete the radio will play the first station it finds.

To use presets please reference **To Program the Memory Buttons**.

DAB MODE – STATION PRUNE

Some stations once received by your radio which are no longer available may display with a ? after the station name.

To remove these stations from the station list use the Prune function:

1. Press Menu (E) and scroll right to the *Prune* option.
2. Press Enter/Display (G) to select.
3. Scroll right to the Yes option, then press the Enter/Display (G) button to prune stations.

DAB MODE – DYNAMIC RANGE COMPRESSION (DRC)

This function reduces the difference between the loudest and quietest audio being broadcast. Effectively, this makes quiet sounds comparatively louder, and loud sounds comparatively quieter.

The following options are available:

- 0 - broadcast DRC will be ignored
- 1/2 - sets DRC at half the level transmitted
- 1 - uses the DRC level transmitted
- 2 - doubles the DRC level transmitted

NOTE: DRC only works if it is enabled by the broadcaster.

FM/AM MODE – TUNING

To Tune: Push the right arrow to move the tuner up the frequency band, push the left arrow to move the tuner down the frequency band.

To Seek: Press and hold the right arrow button (C) once and release. The tuner frequency will increase to seek the first radio station with acceptable clarity and stop at that station. The right arrow button may be pressed again to continue seeking a radio station at higher frequencies. The left arrow button may be pressed to seek radio stations at lower frequencies. The seek function is available in AM and FM modes.

PROGRAMMING THE MEMORY BUTTONS

Ten DAB and ten FM radio stations may be independently set. After programming the buttons, pressing 1, 2, 3, 4 or 5 will instantly change the frequency to the preset station.

1. Set the radio to desired station (see **Tuning**).
2. Press and hold one of the desired memory buttons (F) until the preset number begins flashing in the LCD display (H). Release the button and wait for the preset display to stop flashing.
3. Each memory button can store two preset stations. To store a second preset repeat step 1.
4. Press and hold one of the desired memory buttons (F) until the preset number begins flashing in the LCD display (H). Press the preset button a second time so that the next preset number displays. Release the button and wait for the preset display to stop flashing.

PROGRAMMING THE CLOCK

The time and date can be updated manually or automatically synchronised with national time signals broadcast over DAB (where available).

To synchronise the clock automatically: (DAB mode ONLY)

NOTE: When the radio is first used it will enter DAB mode and automatically scan for stations.

1. Press the Menu button (E).
2. Use the arrow buttons (C) to scroll to *Clock Adjust* and press the Enter/Display button (G).
3. Scroll to *Sync Time Now* press the Enter/Display button to select. This automatically synchronises clock with national time signals.

To adjust the clock manually: (FM and DAB mode)

1. Press the Menu button (E).
2. Use the arrow buttons (C) to scroll to *Clock Adjust* on the LCD display and press the Enter/Display button (G).
3. Scroll to *Date & Time* and press the Enter/Display button (G).
4. Set the date and time using left and right arrow buttons (C).
5. Once the desired time is set press the Enter/Display (G) button to commit.

Other *Clock Adjust* menu options:

- Time format: Select a 12h or 24h time display format
- Date format: Select the date display format, MM/DD/YYYY, YYYY/MM/DD or DD/MM/YYYY.

TO ADJUST THE EQ

Sound can be adjusted by changing the equalization of the bass or treble of the radio.

1. Press the Menu button (E) and scroll using the left or right arrow buttons (C) to select *Sound EQ*. Select by pressing the Enter/Display button (G).
2. Press the right arrow button to increase the bass or the left arrow button to decrease it.
3. Once desired adjustment is achieved, press the Enter/Display button (G).
4. Repeat steps 2 and 3 for treble adjustment.

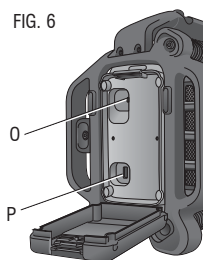
Important Radio Notes (Fig. 6)

1. The radio will run up to 8 hours on a fully charged 4.0 amp hour battery. Using batteries of lower voltage or capacity will result in less run time.
2. Reception will vary depending on location and strength of radio signal.
3. Certain generators may cause background noise.

4. AM reception will most likely be clearer when powered by a battery pack.
5. To use the auxiliary port (O), plug the output jack from a CD or iPod®*/MP3 player into the port (fig. 1). The sound from the external source plays through the speakers of the DCR017.
6. The USB power output port (P) is a connection port for powering low power devices such as mobile phones, CD and MP3 players.

* iPod is a registered trademark of Apple Inc.

FIG. 6



MAINTENANCE

⚠ WARNING: To reduce the risk of serious personal injury, turn the unit off and disconnect the battery pack before making any adjustments or removing/installing attachments or accessories. An accidental start-up can cause injury.

Cleaning

⚠ WARNING: Blow dirt and dust out of all air vents with clean, dry air at least once a week. To minimize the risk of eye injury, always wear AS/NZS1337 approved eye protection when performing this.

⚠ WARNING: Never use solvents or other harsh chemicals for cleaning the non-metallic parts of the unit. These chemicals may weaken the plastic materials used in these parts. Use a cloth dampened only with water and mild soap. Never let any liquid get inside the tool; never immerse any part of the tool into a liquid.

CHARGER CLEANING INSTRUCTIONS

⚠ WARNING: Shock hazard. Disconnect the charger from the AC outlet before cleaning. Dirt and grease may be removed from the exterior of the charger using a cloth or soft non-metallic brush. Do not use water or any cleaning solutions.

Repairs

This charger and battery pack are not serviceable. Servicing at an authorized service centre is required to avoid damage to static sensitive internal components.

To assure product SAFETY and RELIABILITY, repairs, maintenance and adjustment (including brush inspection and replacement) should be performed by certified service centers or other qualified service organizations, always using identical replacement parts.

Accessories

⚠ WARNING: Since accessories, other than those offered by DEWALT, have not been tested with this product, use of such accessories with this tool could be hazardous. To reduce the risk of injury, only DEWALT recommended accessories should be used with this product.

Recommended accessories for use with your tool are available at extra cost from your local service center. If you need any assistance in locating any accessory, please contact Stanley Black & Decker, 82 Taryn Drive, Epping, VIC 3076 Australia or call 1800 338 002 or (NZ) 0800 339 258.

Stanley Black & Decker
82 Taryn Drive, Epping, VIC 3076 Australia • 1800 338 002 (Aust) or 0800 339 258 (NZ)
www.dewalt.com.au • www.dewalt.co.nz

(APR13) Part No. N294527 DCR017-XE Copyright © 2013 DeWALT

The following are trademarks for one or more DeWALT power tools: the yellow and black color scheme; the “D” shaped air intake grill; the array of pyramids on the handgrip; the kit box configuration; and the array of lozenge-shaped humps on the surface of the tool.