
DEWALT

www.DEWALT.com

D25123
D25124

English (*original instructions*)

4

Türkçe (*orjinal talimatlardan çevrilmiştir*)

13

Figure 1

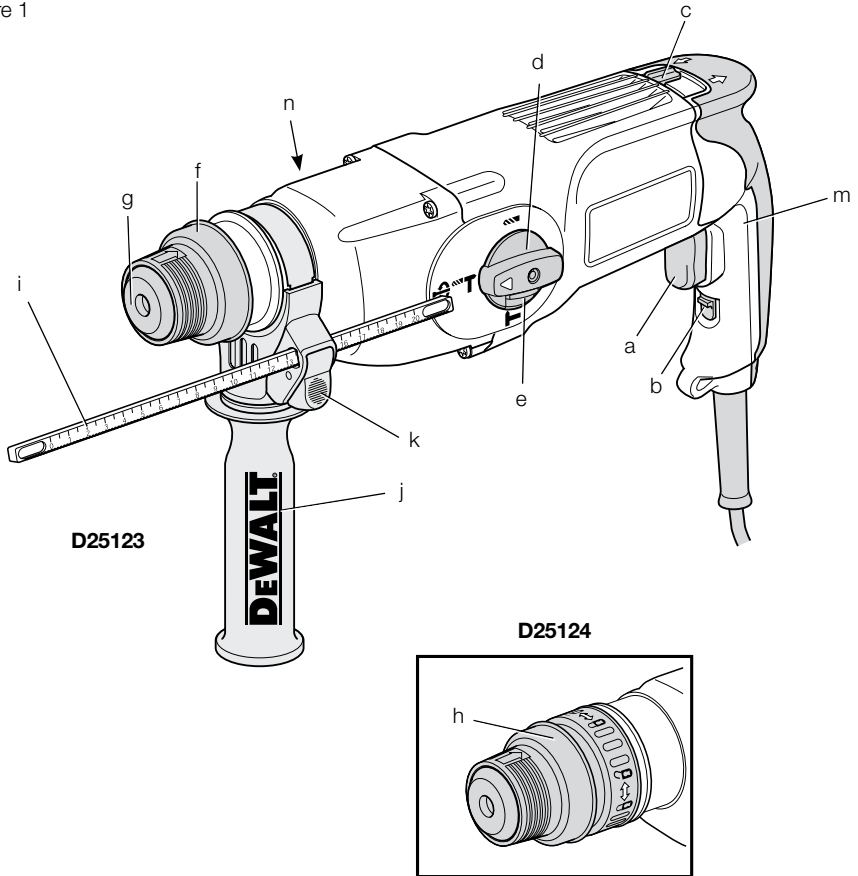


Figure 2

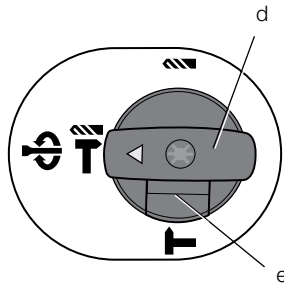


Figure 3

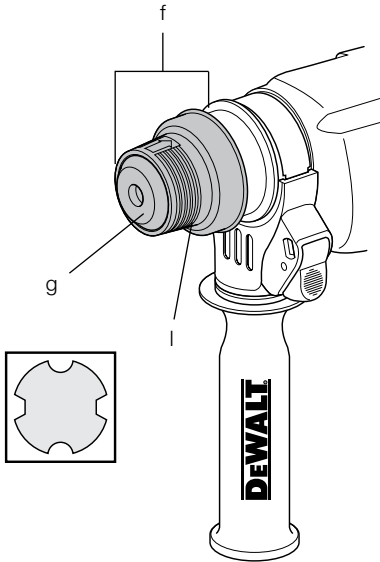


Figure 4

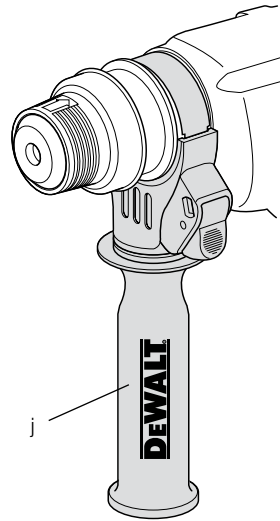


Figure 5

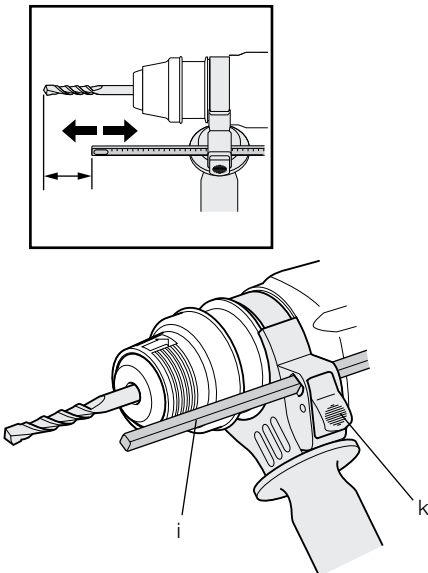


Figure 6

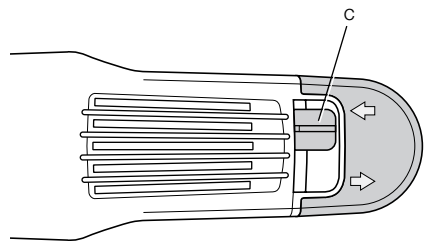


Figure 7

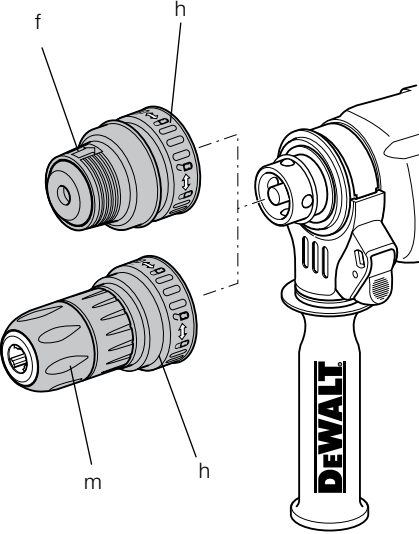
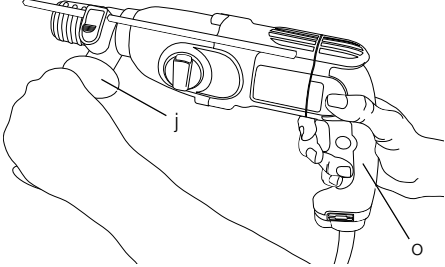


Figure 8



HEAVY-DUTY ROTARY HAMMERDRILL

D25123, D25124

Congratulations!

You have chosen a DEWALT tool. Years of experience, thorough product development and innovation make DEWALT one of the most reliable partners for professional power tool users.

Technical Data

| | | D25123 | D25124 |
|---|-------------------|-----------|-----------|
| Voltage | V | 230 | 230 |
| (U.K. & Ireland only) | V | 230/115 | 230/115 |
| Type | | 10 | 01 |
| Power input | W | 800 | 800 |
| No-load speed | min ⁻¹ | 0–1,150 | 0–1,150 |
| Load speed | min ⁻¹ | 0–830 | 0–830 |
| Impact energy | | | |
| Hammerdrilling | J | 3.1 | 3.1 |
| Chiselling | J | 3.4 | 3.4 |
| Maximum drilling range in steel/wood/concrete | mm | 13/30/26 | 13/30/26 |
| Chisel positions | | 52 | 52 |
| Core drilling capacity in soft brick | mm | 65 | 65 |
| Tool holder | | SDS Plus® | SDS Plus® |
| Collar diameter | mm | 54 | 54 |
| Weight | kg | 2.9 | 2.9 |
| L_{PA} (sound pressure) | dB(A) | 89 | 89 |
| K_{PA} (sound pressure uncertainty) | dB(A) | 3.8 | 3.8 |
| L_{WA} (sound power) | dB(A) | 100 | 100 |
| K_{WA} (sound power uncertainty) | dB(A) | 3.8 | 3.8 |

Vibration total values (triax vector sum) determined according to EN 60745:

| Vibration emission value a_h | | | |
|--------------------------------|------------------|------|------|
| Drilling into metal | | | |
| $a_{h,D}$ = | m/s ² | 2.6 | 2.6 |
| Uncertainty K = | m/s ² | 1.5 | 1.5 |
| Vibration emission value a_h | | | |
| Drilling into concrete | | | |
| $a_{h,HD}$ = | m/s ² | 17.8 | 17.8 |
| Uncertainty K = | m/s ² | 1.5 | 1.5 |

Vibration emission value a_h

| Chiselling | | | |
|-----------------|------------------|-----|-----|
| $a_{h,ChEq}$ = | m/s ² | 9.8 | 9.8 |
| Uncertainty K = | m/s ² | 1.5 | 1.5 |

Vibration emission value a_h

| Screwdriving without impact | | | |
|-----------------------------|------------------|-------|-------|
| a_h = | m/s ² | < 2.5 | < 2.5 |
| Uncertainty K = | m/s ² | 1.5 | 1.5 |

The vibration emission level given in this information sheet has been measured in accordance with a standardised test given in EN 60745 and may be used to compare one tool with another. It may be used for a preliminary assessment of exposure.



WARNING: The declared vibration emission level represents the main applications of the tool. However if the tool is used for different applications, with different accessories or poorly maintained, the vibration emission may differ. This may significantly increase the exposure level over the total working period.

An estimation of the level of exposure to vibration should also take into account the times when the tool is switched off or when it is running but not actually doing the job. This may significantly reduce the exposure level over the total working period.

Identify additional safety measures to protect the operator from the effects of vibration such as: maintain the tool and the accessories, keep the hands warm, organisation of work patterns.

Fuses:

| | | |
|----------------|-------------|----------------------|
| Europe | 230 V tools | 10 Amperes, mains |
| U.K. & Ireland | 230 V tools | 13 Amperes, in plugs |

Definitions: Safety Guidelines

The definitions below describe the level of severity for each signal word. Please read the manual and pay attention to these symbols.



DANGER: Indicates an imminently hazardous situation which, if not avoided, will result in **death or serious injury**.



WARNING: Indicates a potentially hazardous situation which, if not avoided, **could** result in **death or serious injury**.



CAUTION: Indicates a potentially hazardous situation which, if not avoided, **may** result in **minor or moderate injury**.

NOTICE: Indicates a practice **not related to personal injury** which, if not avoided, **may** result in **property damage**.



Denotes risk of electric shock.



Denotes risk of fire.

EC-Declaration of Conformity

MACHINERY DIRECTIVE



D25123, D25124

DEWALT declares that these products described under "technical data" are in compliance with: 2006/42/EC, EN 60745-1, EN 60745-2-6.

These products also comply with Directive 2004/108/EC. For more information, please contact DEWALT at the following address or refer to the back of the manual.

The undersigned is responsible for compilation of the technical file and makes this declaration on behalf of DEWALT.

H. Grossmann

Horst Grossmann
Vice President Engineering and Product
Development
DEWALT, Richard-Klinger-Straße 11,
D-65510, Idstein, Germany
10.05.2010



WARNING: To reduce the risk of injury, read the instruction manual.

General Power Tool Safety Warnings



WARNING! Read all safety warnings and instructions Failure to follow the warnings and instructions may result in electric shock, fire and/or serious injury.

SAVE ALL WARNINGS AND INSTRUCTIONS FOR FUTURE REFERENCE

The term "power tool" in the warnings refers to your mains-operated (corded) power tool or battery-operated (cordless) power tool.

1) WORK AREA SAFETY

- Keep work area clean and well lit.** Cluttered or dark areas invite accidents.
- Do not operate power tools in explosive atmospheres, such as in the presence of flammable liquids, gases or dust.** Power tools create sparks which may ignite the dust or fumes.
- Keep children and bystanders away while operating a power tool.** Distractions can cause you to lose control.

2) ELECTRICAL SAFETY

- Power tool plugs must match the outlet. Never modify the plug in any way. Do not use any adapter plugs with earthed (grounded) power tools.** Unmodified plugs and matching outlets will reduce risk of electric shock.
- Avoid body contact with earthed or grounded surfaces such as pipes, radiators, ranges and refrigerators.** There is an increased risk of electric shock if your body is earthed or grounded.
- Do not expose power tools to rain or wet conditions.** Water entering a power tool will increase the risk of electric shock.
- Do not abuse the cord. Never use the cord for carrying, pulling or unplugging the power tool. Keep cord away from heat, oil, sharp edges or moving parts.** Damaged or entangled cords increase the risk of electric shock.
- When operating a power tool outdoors, use an extension cord suitable for outdoor use.** Use of a cord suitable for outdoor use reduces the risk of electric shock.

- f) *If operating a power tool in a damp location is unavoidable, use a residual current device (RCD) protected supply. Use of an RCD reduces the risk of electric shock.*

3) PERSONAL SAFETY

- a) *Stay alert, watch what you are doing and use common sense when operating a power tool. Do not use a power tool while you are tired or under the influence of drugs, alcohol or medication. A moment of inattention while operating power tools may result in serious personal injury.*
- b) *Use personal protective equipment. Always wear eye protection. Protective equipment such as dust mask, non-skid safety shoes, hard hat, or hearing protection used for appropriate conditions will reduce personal injuries.*
- c) *Prevent unintentional starting. Ensure the switch is in the off position before connecting to power source and/or battery pack, picking up or carrying the tool. Carrying power tools with your finger on the switch or energising power tools that have the switch on invites accidents.*
- d) *Remove any adjusting key or wrench before turning the power tool on. A wrench or a key left attached to a rotating part of the power tool may result in personal injury.*
- e) *Do not overreach. Keep proper footing and balance at all times. This enables better control of the power tool in unexpected situations.*
- f) *Dress properly. Do not wear loose clothing or jewellery. Keep your hair, clothing and gloves away from moving parts. Loose clothes, jewellery or long hair can be caught in moving parts.*
- g) *If devices are provided for the connection of dust extraction and collection facilities, ensure these are connected and properly used. Use of dust collection can reduce dust-related hazards.*

4) POWER TOOL USE AND CARE

- a) *Do not force the power tool. Use the correct power tool for your application. The correct power tool will do the job better and safer at the rate for which it was designed.*
- b) *Do not use the power tool if the switch does not turn it on and off. Any power tool that cannot be controlled with the switch is dangerous and must be repaired.*

- c) *Disconnect the plug from the power source and/or the battery pack from the power tool before making any adjustments, changing accessories, or storing power tools. Such preventive safety measures reduce the risk of starting the power tool accidentally.*
- d) *Store idle power tools out of the reach of children and do not allow persons unfamiliar with the power tool or these instructions to operate the power tool. Power tools are dangerous in the hands of untrained users.*
- e) *Maintain power tools. Check for misalignment or binding of moving parts, breakage of parts and any other condition that may affect the power tool's operation. If damaged, have the power tool repaired before use. Many accidents are caused by poorly maintained power tools.*
- f) *Keep cutting tools sharp and clean. Properly maintained cutting tools with sharp cutting edges are less likely to bind and are easier to control.*
- g) *Use the power tool, accessories and tool bits etc., in accordance with these instructions taking into account the working conditions and the work to be performed. Use of the power tool for operations different from those intended could result in a hazardous situation.*

5) SERVICE

- a) *Have your power tool serviced by a qualified repair person using only identical replacement parts. This will ensure that the safety of the power tool is maintained.*

Additional Specific Safety Rules for Rotary Hammers

- *Wear ear protectors. Exposure to noise can cause hearing loss.*
- *Use auxiliary handles supplied with the tool. Loss of control can cause personal injury.*
- *Hold power tools by insulated gripping surfaces when performing an operation where the cutting tool may contact hidden wiring or its own cord. Contact with a "live" wire will make exposed metal parts of the tool "live" and shock the operator.*
- *Use clamps or other practical way to secure and support the workpiece to a stable platform. Holding the work by hand or against your body is unstable and may lead to loss of control.*

- **Wear safety goggles or other eye protection.** Hammering operations cause chips to fly. Flying particles can cause permanent eye damage. Wear a dust mask or respirator for applications that generate dust. Ear protection may be required for most applications.
- **Keep a firm grip on the tool at all times. Do not attempt to operate this tool without holding it with both hands.** It is recommended that the side handle be used at all times. Operating this tool with one hand will result in loss of control. Breaking through or encountering hard materials such as re-bar may be hazardous as well. Tighten the side handle securely before use.
- **Do not operate this tool for long periods of time.** Vibration caused by hammer action may be harmful to your hands and arms. Use gloves to provide extra cushion and limit exposure by taking frequent rest periods.
- **Do not recondition bits yourself.** Chisel reconditioning should be done by an authorized specialist. Improperly reconditioned chisels could cause injury.
- **Wear gloves when operating tool or changing bits.** Accessible metal parts on the tool and bits may get extremely hot during operation. Small bits of broken material may damage bare hands.
- **Never lay the tool down until the bit has come to a complete stop.** Moving bits could cause injury.
- **Do not strike jammed bits with a hammer to dislodge them.** Fragments of metal or material chips could dislodge and cause injury.
- **Slightly worn chisels can be resharpened by grinding.**
- **Keep the power cord away from the rotating bit. Do not wrap the cord around any part of your body.** An electric cord wrapped around a spinning bit may cause personal injury and loss of control.

Residual Risks

The following risks are inherent to the use of rotary hammers:

- Injuries caused by touching the rotating parts or hot parts of the tool

In spite of the application of the relevant safety regulations and the implementation of safety devices, certain residual risks cannot be avoided. These are:

- Impairment of hearing.

- Risk of squeezing fingers when changing the accessory.
- Health hazards caused by breathing dust developed when working in concrete and/or masonry.

Markings on Tool

The following pictograms are shown on the tool:



Read instruction manual before use.



Wear ear protection.



Wear eye protection.

DATE CODE POSITION (FIG. 1)

The Date Code (n), which also includes the year of manufacture, is printed into the housing.

Example:

2010 XX XX

Year of Manufacture

Package Contents

The package contains:

- 1 Heavy-duty rotary hammerdrill
- 1 Side handle
- 1 Depth adjustment rod
- 1 Kitbox
- 1 Keyless chuck (D25124K)
- 1 Instruction manual
- 1 Exploded drawing
- Check for damage to the tool, parts or accessories which may have occurred during transport.
- Take the time to thoroughly read and understand this manual prior to operation.

Description (fig. 1)



WARNING: Never modify the power tool or any part of it. Damage or personal injury could result.

- Variable speed switch
- Lock-on button
- Forward/reverse slider
- Mode selector

- e. Safety lock
- f. Tool holder
- g. Dust cover
- h. Locking collar (D25124)
- i. Depth adjustment rod
- j. Side handle
- k. Depth stop clamp

INTENDED USE

These heavy-duty rotary hammers have been designed for professional drilling and hammerdrilling, screwdriving and light chipping

DO NOT use under wet conditions or in presence of flammable liquids or gases.

These hammerdrills are professional power tools.

DO NOT let children come into contact with the tool. Supervision is required when inexperienced operators use this tool.

Torque Limiting Clutch

All rotary hammerdrills are equipped with a torque limiting clutch that reduces the maximum torque reaction transmitted to the operator in case of jamming of a drill bit. This feature also prevents the gearing and electric motor from stalling. The torque limiting clutch has been factory-set and cannot be adjusted.

Electrical Safety

The electric motor has been designed for one voltage only. Always check that the power supply corresponds to the voltage on the rating plate.



Your DEWALT charger is double insulated in accordance with EN 60745; therefore no earth wire is required.



WARNING: 115 V units have to be operated via a fail-safe isolating transformer with an earth screen between the primary and secondary winding.

If the supply cord is damaged, it must be replaced by a specially prepared cord available through the DEWALT service organization.

Mains Plug Replacement (U.K. & Ireland Only)

If a new mains plug needs to be fitted:

- Safely dispose of the old plug.
- Connect the brown lead to the live terminal in the plug.

- Connect the blue lead to the neutral terminal.



WARNING: No connection is to be made to the earth terminal.

Follow the fitting instructions supplied with good quality plugs. Recommended fuse: 3 A.

Using an Extension Cable

If an extension cable is required, use an approved 3-core extension cable suitable for the power input of this tool (see technical data). The minimum conductor size is 1.5 mm²; the maximum length is 30 m.

When using a cable reel, always unwind the cable completely.

ASSEMBLY AND ADJUSTMENTS



WARNING: To reduce the risk of injury, turn unit off and disconnect machine from power source before installing and removing accessories, before adjusting or changing set-ups or when making repairs. Be sure the trigger switch is in the OFF position. An accidental start-up can cause injury.

Selecting the Operating Mode (fig. 2)

The tool can be used in the following operating modes:



Rotary drilling: for screwdriving and for drilling into steel, wood and plastics



Hammerdrilling: for concrete and masonry drilling operations.

Bit rotation: non-working position used only to rotate a flat chisel into the desired position



Hammering only: for light chipping, chiselling and demolition applications. In this mode the tool can also be used as a lever to free a jammed drill bit.

1. To select the operating mode, press the safety lock (e) and rotate the mode selector switch (d) until it points to the symbol of the required mode.
2. Release the safety lock and check that the mode selector switch is locked in place.



WARNING: Do not select the operating mode when the tool is running.

Indexing the Chisel Position (fig. 2)

The chisel can be indexed and locked into 52 different positions.

1. Rotate the mode selector switch (d) until it points to the “bit rotation” position.
2. Rotate the chisel in the desired position.
3. Set the mode selector switch (d) to the “hammering only” position.
4. Twist the chisel until it locks in position.

Inserting and Removing SDS Plus® Accessories (fig. 3)

This tool uses SDS Plus® accessories (refer to the inset in fig. 3 for a cross-section of an SDS Plus® bit shank). We recommend to use professional accessories only.

1. Clean and grease the bit shank.
2. Insert the bit shank into the tool holder (f).
3. Push the bit down and turn it slightly until it fits into the slots.
4. Pull on the bit to check if it is properly locked. The hammering function requires the bit to be able to move axially several centimetres when locked in the tool holder.
5. To remove a bit pull back the tool holder locking sleeve (l) and pull out the bit.



WARNING: Always wear gloves when you change accessories. The exposed metal parts on the tool and accessory may become extremely hot during operation.

Fitting the Side Handle (fig. 4)

The side handle (j) can be fitted to suit both RH- and LH-users.



WARNING: Do not use the tool without the side handle properly assembled.

1. Loosen the side handle.
2. **For RH-users:** slide the side handle clamp over the collar behind the tool holder, handle at the left.
For LH-users: slide the side handle clamp over the collar behind the tool holder, handle at the right.
3. Rotate the side handle to the desired position and tighten the handle.

Setting the Drilling Depth (fig. 5)

1. Insert the required drill bit as described above.
2. Press the depth stop clamp (k) and keep it depressed.
3. Fit the depth adjustment rod (i) through the hole in the depth stop clamp.
4. Adjust the drilling depth as shown.
5. Release the depth stop clamp.

Forward/reverse Slider (fig. 6)

1. Push the forward/reverse slider (c) to the RH-side for forward (RH) rotation. See arrows on tool.
2. Push the forward/reverse slider (c) to the LH-side for reverse (LH) rotation.



WARNING: Always wait until the motor has come to a complete standstill before changing the direction of rotation.

Fitting the Chuck Adapter and Chuck

D25123

1. Screw the chuck onto the threaded end of the chuck adapter.
2. Insert the connected chuck and adapter in the tool as though it were a standard SDS Plus® bit.
3. To remove the chuck, proceed as for removing a standard SDS Plus® bit.



WARNING: Never use standard chucks in the hammerdrilling mode.

Replacing the Tool Holder with the Chuck (fig. 7)

D25124K

1. Turn the locking collar (h) into the unlocking position and pull the tool holder (f) off.
2. Push the chuck (m) onto the spindle and turn the locking collar into the locking position.
3. To replace the chuck with the tool holder, first remove the chuck the same way as the tool holder was removed. Then place the tool holder the same way as the chuck was placed.



WARNING: Never use standard chucks in the hammerdrilling mode.

Replacing the Dust Cover (fig. 3)

The dust cover (g) prevents dust ingress into the mechanism. Replace a worn dust cover immediately.

1. Pull back the tool holder locking sleeve (l) and pull the dust cover (g) off.
2. Fit the new dust cover.
3. Release the tool holder locking sleeve.

OPERATION

Instructions for Use



WARNING:

- Always observe the safety instructions and applicable regulations.
- Be aware of the location of pipework and wiring.
- Apply only a gentle pressure to the tool (approx. 5 kg). Excessive force does not speed up drilling but decreases tool performance and may shorten tool life.
- Do not drill or drive too deep to prevent damage to the dust cover.
- Always hold the tool firmly with both hands and ensure a secure stance (fig. 8). Always operate the tool with the side handle properly mounted.

Proper Hand Position (fig. 8)



WARNING: To reduce the risk of serious personal injury, **ALWAYS** use proper hand position as shown.



WARNING: To reduce the risk of serious personal injury, **ALWAYS** hold securely in anticipation of a sudden reaction.

Proper hand position requires one hand on the side handle (j), with the other hand on the main handle (o).

Switching On and Off (fig. 1)

1. To run the tool, press the variable speed switch (a). The pressure exerted on the variable speed switch determines the tool speed.
2. For continuous operation, press and hold down the variable speed switch, press the lock-on button (b) and release the switch.
3. To stop the tool, release the switch.
4. To stop the tool in continuous operation, press the switch briefly and release it. Always switch off the tool when work is finished and before unplugging.

Hammerdrilling (fig. 1)

DRILLING WITH A SOLID BIT

1. Set the mode selector switch (d) to the hammerdrilling position.
2. Insert the appropriate drill bit.

NOTE: For best results use high quality carbide-tipped bits.
3. Adjust the side handle (j) as required.
4. If necessary, set the drilling depth.
5. Mark the spot where the hole is to be drilled.
6. Place the drill bit on the spot and switch on the tool.
7. Always switch off the tool when work is finished and before unplugging.

DRILLING WITH A CORE BIT

1. Set the mode selector (d) to the hammerdrilling position.
2. Adjust the side handle (j) as required.
3. Insert the appropriate core bit.
4. Assemble the centerdrill into the core bit.
5. Place the centerdrill on the spot and press the variable speed switch (a). Drill until the core penetrates into the concrete approx. 1 cm.
6. Stop drilling and remove the centerdrill. Place the core bit back into the hole and continue drilling.
7. When drilling through a structure thicker than the depth of the core bit, break away the round cylinder of concrete or core inside the bit at regular intervals. To avoid unwanted breaking away of concrete around the hole, first drill a hole the diameter of the center drill completely through the structure. Then drill the cored hole halfway from each side.
8. Always switch off the tool when work is finished and before unplugging.

Rotary Drilling (fig. 1)

1. Set the mode selector switch (d) to the “rotary drilling” position.
2. Depending on your tool, follow either of the following instructions:
 - **D25123:** Fit the chuck adapter/chuck assembly.
 - **D25124:** Replace the tool holder with the chuck .
3. Proceed as described for hammerdrilling.



WARNING: Never use standard chucks in the hammerdrilling mode.

Screwdriving (fig. 1)

1. Set the mode selector switch (d) to the rotary drilling position.
2. Select the direction of rotation.
3. Depending on your tool, follow either of the following instructions:
 - **D25123:** Insert the special SDS Plus® screwdriving adaptor for use with hexagonal screwdriver bits.
 - **D25124K:** Replace the tool holder with the chuck.
4. Insert the appropriate screwdriver bit. When driving slotted head screws always use bits with a finder sleeve.
5. Gently press the variable speed switch (a) to prevent damage to the screw head. In reverse (LH) rotation the tool speed is automatically reduced for easy screw removal.
6. When the screw is flush with the workpiece, release the variable speed switch to prevent the screw head from penetrating into the workpiece.

Chipping and Chiselling (fig. 1)

1. Set the mode selector switch (d) to the “hammering only” position.
2. Insert the appropriate chisel and rotate it by hand to lock it into one of 52 positions.
3. Adjust the side handle (j) as required.
4. Switch on the tool and start working.
5. Always switch off the tool when work is finished and before unplugging.



WARNING:

- Do not use this tool to mix or pump easily combustible or explosive fluids (benzine, alcohol, etc.).
- Do not mix or stir inflammable liquids labelled accordingly.

MAINTENANCE

Your DEWALT power tool has been designed to operate over a long period of time with a minimum of maintenance. Continuous satisfactory operation depends upon proper tool care and regular cleaning.



WARNING: To reduce the risk of injury, turn unit off and disconnect machine from power source before installing and removing accessories, before adjusting or changing set-ups or when making repairs. Be sure the trigger switch is in the OFF position. An accidental start-up can cause injury.

- This machine is not user-serviceable. Take the tool to an authorised DEWALT repair agent after approximately 40 hours of use. If problems occur before this time contact an authorised DEWALT repair agent.
- The tool will automatically switch off when the carbon brushes are worn.

Motor Brushes

DEWALT uses an advanced brush system which automatically stops the drill when the brushes wear out. This prevents serious damage to the motor. New brush assemblies are available at authorised DEWALT service centers. Always use identical replacement parts.



Lubrication

Your power tool requires no additional lubrication. Accessories and attachments used must be regularly lubricated around the SDS Plus® fitment.



Cleaning



WARNING: Blow dirt and dust out of the main housing with dry air as often as dirt is seen collecting in and around the air vents. Wear approved eye protection and approved dust mask when performing this procedure.



WARNING: Never use solvents or other harsh chemicals for cleaning the non-metallic parts of the tool. These chemicals may weaken the materials used in these parts. Use a cloth dampened only with water and mild soap. Never let any liquid get inside the tool; never immerse any part of the tool into a liquid.

Optional Accessories



WARNING: Since accessories, other than those offered by DEWALT, have not been tested with this product, use of such accessories with this tool could be hazardous. To reduce the risk of injury, only DEWALT, recommended accessories should be used with this product.

Various types of SDS Plus® drill bits and chisels are available as an option.

Consult your dealer for further information on the appropriate accessories.

Protecting the Environment



Separate collection. This product must not be disposed of with normal household waste.

Should you find one day that your DEWALT product needs replacement, or if it is of no further use to you, do not dispose of it with household waste. Make this product available for separate collection.



Separate collection of used products and packaging allows materials to be recycled and used again. Re-use of recycled materials helps prevent environmental pollution and reduces the demand for raw materials.

Local regulations may provide for separate collection of electrical products from the household, at municipal waste sites or by the retailer when you purchase a new product.

DEWALT provides a facility for the collection and recycling of DEWALT products once they have reached the end of their working life. To take advantage of this service please return your product to any authorised repair agent who will collect them on our behalf.

You can check the location of your nearest authorised repair agent by contacting your local DEWALT office at the address indicated in this manual. Alternatively, a list of authorised DEWALT repair agents and full details of our after-sales service and contacts are available on the Internet at: **www.2helpU.com**.

GUARANTEE

DEWALT is confident of the quality of its products and offers an outstanding guarantee for professional users of the product. This guarantee statement is in addition to and in no way prejudices your contractual rights as a professional user or your statutory rights as a private non-professional user. The guarantee is valid within the territories of the Member States of the European Union and the European Free Trade Area.

• 30 DAY NO RISK SATISFACTION GUARANTEE •

If you are not completely satisfied with the performance of your DEWALT tool, simply return it within 30 days, complete with all original components, as purchased, to the point of purchase, for a full refund or exchange. The product must have been subject to fair wear and tear and proof of purchase must be produced.

• ONE YEAR FREE SERVICE CONTRACT •

If you need maintenance or service for your DEWALT tool, in the 12 months following purchase, you are entitled to one service free of charge. It will be undertaken free of charge at an authorised DEWALT repair agent. Proof of purchase must be produced. Includes labour. Excludes accessories and spare parts unless failed under warranty.

• ONE YEAR FULL WARRANTY •

If your DEWALT product becomes defective due to faulty materials or workmanship within 12 months from the date of purchase, DEWALT guarantees to replace all defective parts free of charge or – at our discretion – replace the unit free of charge provided that:

- The product has not been misused;
- The product has been subject to fair wear and tear;
- Repairs have not been attempted by unauthorised persons;
- Proof of purchase is produced.
- The product is returned complete with all original components

If you wish to make a claim, contact your seller or check the location of your nearest authorised DEWALT repair agent in the DEWALT catalogue or contact your DEWALT office at the address indicated in this manual. A list of authorised DEWALT repair agents and full details of our after-sales service is available on the Internet at: **www.2helpU.com**

AĞIR HİZMET TİPİ DÖNER KIRICI DELİCİ

D25123/D25124

Tebrikler!

Bir DEWALT aleti seçtiniz. Uzun süreli deneyim, esaslı ürün geliştirme ve yenilik DEWALT'ın profesyonel elektrikli alet kullanıcıları için en güvenilir ortaktardan birisi haline gelmesini sağlamaktadır.

Teknik Veriler

| | | D25123 | D25124 |
|--|---------|-----------|-----------|
| Voltaj | V | 230 | 230 |
| Tipler | | 10 | 01 |
| Giriş gücü | W | 800 | 800 |
| Yüksüz hız | dev/dak | 0–1.150 | 0–1.150 |
| Yük hızı | dev/dak | 0–830 | 0–830 |
| Darbe enerjisi | | | |
| Darbeli delme | J | 3,1 | 3,1 |
| Keskileme | J | 3,4 | 3,4 |
| Çelik/tahta/betonda azami delme kapasitesi | mm | 13/30/26 | 13/30/26 |
| Keski pozisyonları | | 52 | 52 |
| Yumuşak tuğlada karot alma kapasitesi | mm | 65 | 65 |
| Uç yuvası | | SDS Plus® | SDS Plus® |
| Bilezik çapı | mm | 54 | 54 |
| Ağırlık | kg | 2,9 | 2,9 |
| L_{PA} (ses basıncı) | dB(A) | 89 | 89 |
| K_{PA} (ses basıncı belirsizliği) | dB(A) | 3,8 | 3,8 |
| L_{WA} (ses gücü) | dB(A) | 100 | 100 |
| K_{WA} (ses gücü belirsizliği) | dB(A) | 3,8 | 3,8 |

Toplam titreşim değerleri (üç yönün vektör toplamı) EN 60745'ya göre belirlenmiştir:

| Titreşim emisyon değeri a_h | | | |
|-------------------------------|------------------|------|------|
| Metal delme | | | |
| $a_{h,D} =$ | m/s ² | 2,6 | 2,6 |
| Belirsizlik değeri K = | m/s ² | 1,5 | 1,5 |
| Titreşim emisyon değeri a_h | | | |
| Beton delme | | | |
| $a_{h,HD} =$ | m/s ² | 17,8 | 17,8 |
| Belirsizlik değeri K = | m/s ² | 1,5 | 1,5 |

Titreşim emisyon değeri a_h

Keskileme

$a_{h,Cheq} =$ m/s² 9,8 9,8

Belirsizlik değeri K = m/s² 1,5 1,5

Titreşim emisyon değeri a_h

Darbesiz vidalama

$a_h =$ m/s² < 2,5 < 2,5

Belirsizlik değeri K = m/s² 1,5 1,5

Bu bilgi sayfasında verilen titreşim emisyon düzeyi, EN 60745'te sağlanan standart teste uygun olarak ölçülmüştür ve aletleri birbiriyle karşılaştırmak için kullanılabilir. Ön maruziyet değerlendirmesi için kullanılabilir.



UYARI: Beyan edilen titreşim emisyon düzeyi, aletin ana uygulamalarını yansıtır. Ancak alet farklı aksesuarlarla farklı uygulamalar için kullanılırsa veya bakımı kötü yapılırsa, titreşim emisyonu değişebilir. Bu, toplam çalışma süresindeki maruziyet düzeyini önemli ölçüde artırabilir.

Tahmini titreşim maruziyeti, aletin kapalı kaldığı veya çalışmasına karşın iş görmediği zamanları da dikkate alınmalıdır. Bu, toplam çalışma süresindeki maruziyet düzeyini önemli ölçüde azaltabilir.

Operatörü titreşim etkilerinden korumak için şu türde ek güvenlik önlemleri alın: Aletin ve aksesuarların bakımını yapın, elleri sıcak tutun, çalışma modellerini düzenleyin.

Sigortalar:

| | |
|--------|----------------------|
| Avrupa | 230 V aletler |
| | 10 Amper, ana şebeke |

Tanımlar: Güvenlik Talimatları

Aşağıdaki tanımlar her işaret sözcüğü ciddiyet derecesini gösterir. Lütfen kılavuzu okuyunuz ve bu simgelere dikkat ediniz.



TEHLİKE: Engellenmemesi halinde ölüm veya ciddi yaralanma ile sonuçlanabilecek çok yakın bir tehlikeli durumu gösterir.



UYARI: Engellenmemesi halinde ölüm veya **ciddi yaralanma** ile sonuçlanabilecek potansiyel **bir tehlikeli durumu gösterir.**



DİKKAT: Engellenmemesi halinde önemsiz veya orta dereceli yaralanma ile sonuçlanabilecek potansiyel **bir tehlikeli durumu gösterir.**

İKAZ: Engellenmemesi halinde **maddi hasara neden olabilecek, yaralanma ile ilişkisi olmayan durumları gösterir.**



Elektrik çarpması riskini belirtir.



Yangın riskini belirtir.

EC-Uygunluk bildirimini

MAKİNE DİREKTİFİ



D25123, D25124

DEWALT, "teknik veriler" bölümünde açıklanan bu ürünlerin 2006/42/EC, EN 60745-1 ve EN 60745-2-6 normlarına uygun olarak tasarlandığını beyan eder.

Bu ürünler ayrıca 2004/108/EC Direktifi ile uyumludur. Daha fazla bilgi için, lütfen aşağıdaki adresten DEWALT ile irtibata geçin veya kılavuzun arkasına bakın.

Bu belge altında imzası bulunan yetkili, teknik dosyanın derlenmesinden sorumludur ve bu beyanı DEWALT adına vermiştir.

H. Grossmann

Horst Grossmann

Başkan Yardımcısı, Mühendislik ve Ürün Geliştirme
DEWALT, Richard-Klinger-Straße 11,
D-65510, Idstein, Almanya
10.05.2010



UYARI: Yaralanma riskini azaltmak için, kullanım kılavuzunu okuyun.

Genel Elektrikli Alet Güvenlik Uyarıları



UYARI! Tüm güvenlik uyarılarını ve tüm talimatları okuyun. Uyarı ve talimatlara uyulmaması elektrik çarpması, yangın ve/veya ciddi yaralanmaya yol açabilir.

TÜM UYARI VE TALIMATLARI İLERİDE BAŞVURU AMACIYLA SAKLAYIN

Uyarılarda geçen "elektrikli alet" terimi, ana şebekeden güç alan (kablolu) elektrikli aletinizi veya pil ile çalışan (kablosuz) elektrikli aletinizi ifade etmektedir.

1) ÇALIŞMA ALANININ GÜVENLİĞİ

- Çalışma alanını temiz tutun ve iyi ışıklandırın.** Karışık veya karanlık bölgeler kazalara yol açabilir.
- Elektrikli aletleri yanıcı sıvılar, gazlar veya toz gibi patlayıcıların bulunduğu ortamlarda kullanmayın.** Elektrikli aletler toz veya dumanı ateşleyebilecek kıvılcımlar çıkarmaktadır.
- Bir elektrikli aleti kullanırken çocukları ve etraftaki insanları uzakta tutun.** Dikkat dağınıcılığı şeyler kontrolü kaybetmenize sebep olabilir.

2) ELEKTRİK EMNİYETİ

- Elektrikli aletin fişleri prize uygun olmalıdır. Fişi hiçbir şekilde değiştirmeyin. Topraklanmış elektrikli aletler ile birlikte adaptör fişlerini kullanmayın.** Değiştirilmemiş fişler ve uygun prizler elektrik çarpması riskini azaltacaktır.
- Borular, radyatörler, mutfak ocakları ve buzdolapları gibi topraklanmış yüzeylerle vücudunuzun temas etmesini engelleyin.** Vücudunuzun topraklanması halinde elektrik çarpması riski artmaktadır.
- Elektrikli aletleri yağmura veya ıslak koşullara maruz bırakmayın.** Bir elektrikli aletin içine giren su, elektrik çarpması riskini artıracaktır.
- Kabloyu başka amaçlarla kullanmayın. Kabloyu hiçbir zaman elektrikli aleti taşımak, sürüklemek veya prizden çekmek üzere kullanmayın. Kabloyu ısı, yağ, keskin köşeler veya hareketli**

parçalardan uzak tutun. Hasarlı veya dolaşmış kablolar elektrik çarpması riskini artırmaktadır.

- e) **Bir elektrikli aleti dış mekanda kullanırken, dış mekan kullanımına uygun bir uzatma kablosu kullanın.** Dış mekan kullanımına uygun bir kablounun kullanılması elektrik çarpması riskini azaltmaktadır.
- f) **Elektrikli aletin nemli ortamda çalışması kaçınılmazsa, bir artık akım cihazı (RCD) korumalı besleme kullanın.** RCD kullanımı elektrik çarpması riskini azaltır.

3) KİŞİSEL GÜVENLİK

- a) **Bir elektrikli aleti kullanırken tetikte olun, ne yaptığınıza dikkat edin ve sağduyunuzu kullanın.** Yorgun olduğunuz zaman veya ilaç, alkol ya da başka tedavi etkisi altında iken elektrikli aleti kullanmayın. Elektrikli aletleri kullanırken bir anlık dikkatsizlik ciddi kişisel yaralanmaya yol açabilir.
- b) **Kişisel koruyucu ekipman kullanın. Her zaman göz koruması kullanın.** Uygun koşullarda kullanılan toz maskesi, kaymaz emniyet ayakkabıları, kask veya duyma koruması gibi koruyucu ekipman kişisel yaralanmaları azaltacaktır.
- c) **İstemeyerek çalıştırmaktan kaçının. Güç kaynağını ve/veya pil takımını bağlamadan, aleti yerden kaldırmadan ya da taşımadan önce anahtarın off (kapalı) konumunda olduğundan emin olun.** Elektrikli aletleri parmağınız anahtar üzerindeyken taşımak veya anahtarları açık konumdaki elektrikli aletleri prize takmak kazalara yol açacaktır.
- d) **Elektrikli aleti açık konuma getirmeden önce varsa ayar anahtarını veya ayarlı penseyi çıkarın. Elektrikli aletin dönen bir parçasına bağlı kalan bir ayarlı pense veya anahtar kişisel yaralanmaya yol açabilir.**
- e) **Yetişemeyeceğiniz noktalara uzanmayın. Her zaman için uygun ayak basacak yer bulun ve dengenizi sağlayın.** Böylece beklenmeyen durumlarda elektrikli alet daha iyi kontrol edilebilecektir.

- f) **Uygun giysiler giyin. Bol giysiler veya takı kullanmayın. Saçınız, giysileriniz ve eldivenlerinizi hareketli parçalardan uzak tutun.** Bol giysiler, takılar veya uzun saç hareketli parçalara takılabilir.
- g) **Toz çekme ve toplama araç-gereçlerinin bağlanması için cihazlar verilmesi halinde, bunların uygun biçimde bağlanması ve kullanılmasını sağlayın.** Toz toplama kullanımı tozla ilgili tehlikeleri azaltabilir.

4) ELEKTRİKLİ ALETİN KULLANIMI VE BAKIMI

- a) **Elektrikli aleti zorlamayın. Uygulamanız için doğru elektrikli aleti kullanın.** Doğru elektrikli alet, tasarlandığı hızda işi daha iyi ve daha güvenli yapacaktır.
- b) **Açma/kapama anahtarı çalışmazsa elektrikli aleti kullanmayın.** Anahtar ile kontrol edilemeyen herhangi bir elektrikli alet tehlikelidir ve tamir edilmelidir.
- c) **Herhangi bir ayarlama yapmadan, aksesuarları değiştirmeden veya elektrikli aletleri saklamadan önce fişi güç kaynağından çekin ve/veya pilleri çıkarın.** Bu türlü koruyucu güvenlik önlemleri elektrikli aletin yanlışlıkla çalışması riskini azaltır.
- d) **Boşta elektrikli aletleri çocukların erişemeyeceği yerlerde muhafaza edin ve elektrikli aleti veya bu talimatları bilmeyen kişilerin elektrikli aleti kullanmasına izin vermeyin.** Elektrikli aletler eğitimsiz kullanıcıların elinde çok tehlikelidir.
- e) **Elektrikli aletlerin bakımını yapın. Hareketli parçaların hizalanmasını veya bağlantılarını, parçaların kırık olup olmadığını ve elektrikli aletlerin çalışmasını etkileyebilecek başka koşulları kontrol edin. Hasarlı ise, kullanmadan önce elektrikli aletin tamirini yaptırın.** Kazaların pek çoğu, bakımı yapılmayan elektrikli aletlerden kaynaklanmaktadır.
- f) **Kesme aletlerini keskin ve temiz tutun. Bakımı gerektiği şekilde yapılmış keskin uçlu kesme aletlerinin rahatsızlık yaratma olasılığı daha az, kontrolü daha kolaydır.**
- g) **Elektrikli el aletini, aksesuarları ve uçları vb. çalışma şartlarını ve gerçekleştirilecek işi göz önüne**

arak bu talimatlara göre kullanın.
Elektrikli aletin amacı dışındaki işlemlerde kullanılması tehlikeli durumlara yol açabilir.

5) SERVIS

- a) **Elektrikli aletinizin eğitimli bir tamir görevlisi tarafından sadece aynı yedek parçalar kullanılarak tamir edilmesini sağlayın.** Bu şekilde elektrikli aletin güvenliği sağlanmış olacaktır.

Döner Kırıcı Deliciler için İlave Özel Güvenlik Kuralları

- **Koruyucu kulaklık kullanın.** Gürültüye maruz kalınması, işitme kaybına yol açabilir.
- **Ürün paketinde bulunan yardımcı tutma kollarını kullanın.** Kontrolü kaybetmeniz, yaralanmanıza neden olabilir.
- **Aletin, gömülü elektrik kablolarına veya kendi kablosuna temas etmesine yol açabilecek durumlarda aleti izole edilmiş saplarından tutun.** Alet elektrik akımı bulunan kablolarla temas ettiğinde, akım iletken metal parçaları üzerinden operatöre iletilerek elektrik çarpmasına yol açabilir.
- **Kesilecek parçayı sağlam bir yere sabitlemek için işkence veya başka araçlar kullanın.** Parçanın elinizle veya vücudunuzu kullanarak tutulması güvenilmezdir ve kontrol kaybına neden olabilir.
- **Koruyucu gözlük veya gözü koruyacak başka araçlar kullanın.** Kırma delme işlemleri uçuşan talaşlara neden olur. Uçan parçacıklar kalıcı göz hasarına neden olabilir. Toz üreten uygulamalarda toz maskesi veya solunum aygıtı takın. Uygulamaların çoğu için koruyucu kulaklık gerekebilir.
- **Aleti her zaman sıkıca tutun. Bu aleti her iki elinizle kavramadan kullanmaya çalışmayın.** Yan tutamağın daima kullanılması tavsiye edilir. Bu aletin tek elle kullanılması kontrol kaybına neden olabilir. Nervürlü çelik gibi sert malzemelerin kırılması veya bu tür malzemelerle karşılaşılması da tehlikeli olabilir. Kullanmadan önce yan tutamağı sıkın.
- **Bu aleti uzun süre çalıştırmayın.** Çekiç etkisinden kaynaklanan titreşim el ve kollarınıza zarar verebilir. İlave tampon sağlamak için eldiven kullanın ve sık sık ara vererek maruz kalınan titreşimi sınırlayın.

- **Uçları kendi başınıza yenilemeye çalışmayın.** Keskinleşen uçların yenilenmesi yetkili bir uzman tarafından yapılmalıdır. Uygun olmayan şekilde yenilenmiş keskinleşen uçların yaralanmaya neden olabilir.
- **Aleti kullanırken veya uçları değiştirirken eldiven giyin.** Alet üzerindeki açıkta olan metal parçalar ve uçlar çalışma sırasında oldukça sıcak olabilirler. Parçalanmış malzemenin küçük parçacıkları çıplak ellere zarar verebilir.
- **Uç tam olarak durmadan aleti asla yere koymayın.** Dönen uçlar yaralanmaya neden olabilir.
- **Sıkışan uçları çıkarmak için uçlara çekiçle vurmayın.** Metal veya malzeme parçacıkları fırlayarak yaralanmaya neden olabilir.
- **Hafifçe aşınmış keskinleşen uçları taşıma yöntemiyle yeniden keskinleştirilebilir.**
- **Elektrik kablosunu dönen uçtan uzakta tutun.** Kabloyu vücudunuzun hiçbir uzvuna sarmayın. Dönen uca dolaşan bir elektrik kablosu yaralanmaya ve kontrol kaybına neden olabilir.

Kalan Riskler

Aşağıdaki riskler kırıcı - delici kullanmanın özünde mevcuttur:

- Aletin dönen veya sıcak parçalarına dokunma sonucu yaralanma

İlgili güvenlik kurallarının uygulanmasına ve güvenlik donanımlarının kullanılmasına rağmen kalıcı bazı risklerin önüne geçilememektedir. Bunlar arasında:

- İşitme kaybı.
- Aksesuar değiştirirken parmakların ezilme tehlikesi.
- Beton ve/veya çimento bazlı malzemeler üzerinde çalışırken meydana gelen tozun yutulması sonucu oluşan sağlık sorunları bulunmaktadır.

Alet üzerindeki etiketler

Alet üzerinde aşağıdaki etiketler bulunmaktadır:



Kullanmadan önce kullanım kılavuzunu okuyun.



Kulak koruması kullanın.



Göz koruması kullanın.

TARİH KODU KONUMU (ŞEKİL 1)

İmalat yılını da içeren Tarih Kodu (n) gövdeye basılıdır.

Örnek:

2010 XX XX

İmalat Yılı

Paket İçeriği

Paket içeriğinde şunlar bulunmaktadır:

- 1 Ağır hizmet tipi döner kırıcı delici
- 1 Yan tutamak
- 1 Derinlik ayarlama çubuğu
- 1 Alet kutusu
- 1 Anahtarsız mandren (D25124K)
- 1 Kullanım kılavuzu
- 1 Parça şeması
 - *Alet, parçalar ve aksesuarlarda nakliye sırasında hasar oluşup oluşmadığını kontrol edin.*
 - *Çalıştırmadan önce bu kılavuzu iyice okuyup anlamak için zaman ayırın.*

Tanımlama [şek. (fig.) 1]



UYARI: Hiçbir zaman elektrikli aleti veya herhangi bir parçasını değiştirmeyin. Hasarla veya yaralanmayla sonuçlanabilir.

- a. Değişken hız düğmesi
- b. Kilitleme düğmesi
- c. İleri/geri düğmesi
- d. Mod seçme düğmesi
- e. Emniyet kilidi
- f. Uç yuvası
- g. Toz kapağı
- h. Kilitleme bileziği (D25124)
- i. Derinlik ayarlama çubuğu
- j. Yan tutamak
- k. Derinlik sabitleme kelepçesi

KULLANIM ALANI

Bu ağır hizmet tipi döner kırıcı deliciler profesyonel delme ve darbeli delme, vidalama ve hafif yontma maksadıyla tasarlanmıştır.

Islak koşullarda veya yanıcı sıvı ya da gazların mevcut olduğu ortamlarda **KULLANMAYIN**.

Bu kırıcı deliciler profesyonel elektrikli aletlerdir.

Çocukların alete ellemesine **İZİN VERMEYİN**. Bu alet deneyimsiz kullanıcılar tarafından kullanılırken nezaret edilmelidir.

Tork sınırlama kavraması

Tüm döner kırıcı deliciler matkap ucunun sıkışması durumunda operatöre iletilen maksimum tork tepkisini azaltmak için bir tork sınırlama kavraması ile donatılmışlardır. Bu özellik ayrıca dişli ve elektrik motorunun teklemesini de engeller. Tork sınırlama kavraması fabrikada ayarlanmış olarak gelir ve sonradan ayarlanamaz.

Elektrik emniyeti

Elektrik motoru sadece tek bir voltaj için tasarlanmıştır. Her zaman güç kaynağının, etiket plakasındaki voltaja aynı olup olmadığını kontrol edin.



DEWALT şarj cihazınız EN 60745 standardına uygun olarak çift yalıtımlıdır; bu nedenle, topraklama kablosuna gerek yoktur.

Güç kablosu hasarlıysa, DEWALT servis kuruluşundan temin edilebilen özel olarak hazırlanmış bir kabloyla değiştirilmelidir.

Uzatma Kablosu Kullanma

Uzatma kablosu kullanılması gerekiyorsa bu aletin giriş gücüne (teknik verilere bakın) uygun onaylı bir 3 damarlı uzatma kablosu kullanın. Minimum iletken ebadı 1.5 mm²; maksimum uzunluk 30 m'dir.

Bir kablo makarası kullanırken, her zaman kabloyu tamamen makaradan çıkarın.




MONTAJ VE AYARLAMALAR



UYARI: Yaralanma riskini azaltmak için, aksesuarları takip çıkarmadan önce, ayarlama yapmadan veya ayarları değiştirmeden önce veya tamir etmeye başlamadan önce üniteyi kapatın ve makinenin güç kaynağı bağlantısını kesin. Tetikleme anahtarının KAPALI konumda olduğundan emin olun. Aletin yanlışlıkla çalışması yaralanmaya sebep olabilir.

Çalışma Modunun Seçilmesi (şek. 2)

Bu alet aşağıdaki çalışma modlarında kullanılabilir:

-  Döner delme: vidalama ve çelik, ahşap ve plastikleri delmek için
-  Darbeli delme: beton ve çimento bazı malzemeleri delmek için.
Uç dönüşü: sadece düz keskiyi istenen pozisyona döndürmek için kullanılan çalışmayan pozisyon.
-  Sadece darbe: hafif yontma, keskilme ve yıkım uygulamaları için. Bu modda alet ayrıca sıkışan bir matkap ucunu kurtarmak için bir leveye gibi de kullanılabilir.

1. Çalışma modunu seçmek için emniyet kilidine (e) basın ve istene modun simgesini gösterene dek mod seçme düğmesini (d) döndürün.
2. Emniyet kilidini bırakın ve mod seçme düğmesinin yerine sabitlendiğini kontrol edin.



UYARI: Çalışma modunu, alet çalışırken seçmeyin.

Keski Pozisyonunun Belirlenmesi (şek. 2)

Keski belirlenerek 52 farklı pozisyona sabitlenebilir.

1. "Döner uç" pozisyonunu gösterene dek mod seçme düğmesini (d) çevirin.
2. Keskiyi istenilen pozisyona döndürün.
3. Mod seçme düğmesini (d) "sadece çekiç" pozisyonuna çevirin.
4. Keskiyi pozisyona sabitlenene dek döndürün.

SDS Plus® Aksesuarlarının Takılıp Çıkarılması (şek. 3)

Bu alet SDS Plus® aksesuarlarını kullanır (SDS Plus® uç sapının kesiti için şekil 3'deki küçük resme bakın). Sadece profesyonel aksesuarlar kullanmanızı tavsiye ederiz.

1. Uç sapını temizleyerek gresleyin.
2. Uç sapını uç yuvasına (f) sokun.
3. Ucu aşağı bastırarak oluklara oturana dek hafifçe çevirin.

4. Düzgün oturup oturmadığını kontrol etmek için ucu çekin. Kıрма delme fonksiyonu, uç yuvasına oturduğunda ucun eksenele olarak birkaç santimetre oynayabilmesini gerektirir.
5. Ucu çıkarmak için uç yuvası sabitleme bileziğini (l) geri çekin ve ucu çekerek çıkarın.



UYARI: Aksesuar değiştirirken daima eldiven giyin. Alet ve aksesuar üzerindeki açıkta olan metal parçalar çalışma sırasında oldukça sıcak olabilirler.

Yan Tutamağın Takılması (şek. 4)

Yan tutamak (j) sağ elini ya da sol elini kullanan kullanıcıların kullanabilecekleri şekilde takılabilir.



UYARI: Yan tutamak düzgün takılmadan aleti kullanmayın.

1. Yan tutamağı gevşetin.
2. **Sağ elini kullanan kullanıcılar için:** tutamak solda kalacak şekilde yan tutamak kelepçesini uç yuvasının arka kısmında bulunan manşonun üzerinden geçirin.
Sol elini kullanan kullanıcılar için: tutamak sağda kalacak şekilde yan tutamak kelepçesini uç yuvasının arka kısmında bulunan manşonun üzerinden geçirin.
3. Yan tutamağı istenilen pozisyona döndürün ve tutamağı sıkın.

Delme Derinliğinin Ayarlanması (şek. 5)

1. Gereken matkap ucunu yukarıda anlatıldığı şekilde takın.
2. Derinlik sabitleme kelepçesine (k) bastırın ve basılı tutun.
3. Derinlik ayarlama çubuğunu (i) derinlik sabitleme kelepçesinin içinden geçirin.
4. Delme derinliğini şekilde gösterildiği gibi ayarlayın.
5. Derinlik sabitleme kelepçesini serbest bırakın.

İleri/geri Düğmesi (şek. 6)

1. İleri yönlü (sağ) dönüş için ileri/geri düğmesini (c) sağ tarafa alın. Aletin üzerindeki ok işaretlerine bakın.

2. Geri yönlü (sol) dönüş için ileri/geri düğmesini (c) sol tarafa alın.



UYARI: Dönüş yönünü değiştirmeden önce daima motorun tamamen durmasını bekleyin.

Mandren Adaptörü ve Mandrenin Takılması

D25123

1. Mandreni mandren adaptörünün dışı ucuna vidalayın.
2. Bağlı mandren ve adaptörü, standart SDS Plus® uçmuş gibi alete takın.
3. Mandren, standart SDS Plus® uçla aynı şekilde çıkarılır.



UYARI: Standart mandrenleri asla darbeli delme modunda kullanmayın.

Uç Yuvasının Mandrenle Değiştirilmesi (şek. 7)

D25124K

1. Kilitleme bileziğini (h) açma pozisyonuna döndürün ve uç yuvasını (f) çekerek çıkarın.
2. Mandreni (m) mile sokun ve kilitleme bileziğini kilitleme pozisyonuna döndürün.
3. Mandreni uç yuvasıyla değiştirmek için önce uç yuvasını çıkardığınız gibi mandreni çıkarın. Ardından uç yuvasını, mandreni taktığınız gibi takın.



UYARI: Standart mandrenleri asla darbeli delme modunda kullanmayın.

Toz Kapağının Değiştirilmesi (şek. 3)

Toz kapağı (g) mekanizmaya toz girmesini engeller. Eski toz kapağını derhal değiştirin.

1. Uç yuvası sabitleme bileziğini (l) geri çekin ve toz kapağını (g) çekerek çıkarın.
2. Yeni toz kapağını takın.
3. Uç yuvası sabitleme bileziğini bırakın.

KULLANMA

Kullanma Talimatları



UYARI:

• Güvenlik talimatlarına ve geçerli düzenlemelere her zaman uyun.

- Boru ve kablo tesisatlarının yerlerine dikkat edin.
- Alete sadece hafif bir baskı (yaklaşık 5 kg) uygulayın. Aşırı güç uygulamak delme işlemini hızlandırmadığı gibi aletin performansını düşürerek ömrünü kısaltır.
- Toz kapağına zarar vermemek için çok derin delmemeyi veya ilerlemeyin.
- Daima aleti iki elinizle sıkıca tutun ve duruşunuzun güvenli olmasına dikkat edin (şek. 8). Aleti daima yan tutamak düzgün takılı vaziyette kullanın.

Uygun El Pozisyonu (şekil 8)



UYARI: Ciddi yaralanma riskini azaltmak için, **DAİMA** şekilde gösterilen uygun el pozisyonunu kullanın.



UYARI: Ciddi yaralanma riskini azaltmak için, ani tepki ihtimaline karşı aleti **DAİMA** sıkıca tutun.

Uygun el pozisyonu bir elin yan tutamakta (j) ve diğer elin ana tutamakta (o) olmasını gerektirir.

Açma Kapama (şek. 1)

1. Aleti çalıştırmak için değişken hız düğmesine (a) basın. Değişken hız düğmesine uygulanan basınç, aletin hızını belirler.
2. Kesintisiz çalışma için değişken hızlı düğmeyi basılı tutun, kilitleme düğmesine (b) basın, ardından değişken hızlı düğmeyi bırakın.
3. Aleti durdurmak için düğmeyi bırakın.
4. Aletin kesintisiz çalışmasını durdurmak için düğmeye kısa süreli basın ve bırakın. İş bittikten sonra ve fişi prizden çıkarmadan önce daima aleti kapatın.

Darbeli delme (şek. 1)

SERT UÇLA DELME

1. Mod seçme düğmesini (d) darbeli delme pozisyonuna çevirin.
2. Uygun matkap ucu takın.

NOT: En iyi sonuçlar için yüksek kalitede karbür uçlar kullanın.

3. Gerektiğinde yan tutamağı (j) ayarlayın.
4. Gerekirse delme derinliğini ayarlayın.
5. Delik delinecek yeri işaretleyin.

6. Matkap ucunu delinecek yere yerleştirin ve aleti açın.
7. İş bittikten sonra ve fişi prizden çıkarmadan önce daima aleti kapatın.

KAROT UÇLA DELME

1. Mod seçme düğmesini (d) darbeli delme pozisyonuna çevirin.
2. Gerekliğinde yan tutamağı (j) ayarlayın.
3. Uygun karot uç takın.
4. Punta matkabını karot uca takın.
5. Punta matkabını delinecek yere yerleştirin ve değişken hız düğmesine (a) basın. Karot betona yaklaşık 1 cm girene dek delin.
6. Delmeyi durdurun ve punta matkabını çıkarın. Karot ucu deliğe tekrar yerleştirerek delmeye devam edin.
7. Delinecek yapının kalınlığı karot ucunun derinliğinden daha fazla ise düzenli aralıklarla ucun içindeki yuvarlak beton veya özü kırarak çıkarın. Deliğin etrafındaki betonun istenmeden kırılmasını engellemek için öncelikle yapı boyunca çapı punta matkabının çapıyla aynı olan bir delik açın. Ardından bu deliği her iki taraftan yarıya kadar delerek genişletin.
8. İş bittikten sonra ve fişi prizden çıkarmadan önce daima aleti kapatın.

Döner Delme (şek. 1)

1. Mod seçme düğmesini (d) "döner delme" pozisyonuna çevirin.
2. Aletinize bağlı olarak aşağıdaki talimatlardan birini takip edin:
 - **D25123:** Mandren adaptörü/mandren düzeneğini takın.
 - **D25124:** Uç yuvasını mandrenle değiştirin.
3. Darbeli delme ile aynı şekilde devam edin.



UYARI: Standart mandrenleri asla darbeli delme modunda kullanmayın.

Vidalama (şek. 1)

1. Mod seçme düğmesini (d) döner delme pozisyonuna çevirin.
2. Dönüş yönünü seçin.
3. Aletinize bağlı olarak aşağıdaki talimatlardan birini takip edin:

- **D25123:** Altı köşe tornavida uçlarıyla kullanmak için özel SDS Plus® vidalama adaptörünü takın.
 - **D25124K:** Uç yuvasını mandrenle değiştirin.
4. Uygun tornavida ucu takın. Düz yarıklı vidaları vidalarken daima yarıklı bulma aparatlı uçlar kullanın.
 5. Vida başının hasar görmesini engellemek için değişken hız düğmesine (a) hafifçe basın. Ters (sol) dönüşte, vidayı kolayca çıkarmanız için aletin hızı otomatik olarak düşer.
 6. Vidanın başı iş parçasına gömülü durumdaysa vida başının iş parçasına girmesini engellemek için değişken hız düğmesini bırakın.

Yontma ve Keskileme (şek. 1)

1. Mod seçme düğmesini (d) "sadece çekiç" pozisyonuna çevirin.
2. Uygun bir keski takın ve 52 pozisyondan birine sabitlemek için elinizle keskiyi çevirin.
3. Gerekliğinde yan tutamağı (j) ayarlayın.
4. Aleti açın ve çalışmaya başlayın.
5. İş bittikten sonra ve fişi prizden çıkarmadan önce daima aleti kapatın.



UYARI:

- Bu aleti kolay tutuşur veya patlayıcı sıvıları (benzin, alkol, vs.) karıştırmak veya pompalamak için kullanmayın.
- Etiketinde yanıcı olduğu belirtilen sıvıları karıştırmayın.

BAKIM

DEWALT elektrikli aletinizin minimum bakım gerektirecek şekilde uzun yıllar çalışmak üzere tasarlanmıştır. Sürekli tatminkar çalışma düzgün alet bakımı ve düzenli temizliğe bağlıdır.



UYARI: Yaralanma riskini azaltmak için aksesuarları takip çıkarmadan önce, ayarlarla oynamadan veya değiştirmeden önce ya da tamir yaparken aleti kapatın ve makineyi güç kaynağından ayırın. Açma/kapama düğmesinin kapalı konumda olduğunu kontrol edin. Aletin yanlışlıkla çalıştırılması yaralanmaya neden olabilir.

- Bu makineye kullanıcı tarafından servis yapılamaz. Yaklaşık 40 saat kullanım sonunda aleti yetkili DEWALT servisine götürün. Bu süreden önce sorunla karşılaşırsanız yetkili DEWALT servisine başvurun.
- Karbon fırçalar eskidiğinde alet otomatik olarak kapanır.

kullanılması tehlikeli olabilir. Yaralanma riskini azaltmak için, bu aletle birlikte sadece DEWALT tarafından tavsiye edilen aksesuarlar kullanılmalıdır.

Opsiyonel olarak çeşitli tiplerde SDS Plus® matkap uçları ve keskiner mevcuttur.

Uygun aksesuarlarla ilgili daha fazla bilgi almak için satıcınızla görüşün.

Motor Fırçaları

DEWALT, fırçalar aşındığında matkabı otomatik olarak durduran bir ileri fırça sistemi kullanır. Bu sayede motorun ciddi hasar görmesi engellenir. Yeni fırça kompleleri yetkili DEWALT servis merkezlerinden temin edilebilir. Daima orijinal yedek parça kullanın.



Yağlama

Elektrikli aletiniz ilave yağlama gerektirmez.

Kullanılan aksesuarlar ve takımların, SDS Plus® donanımının etrafına gelen kısımları düzenli olarak yağlanmalıdır.



Temizleme



UYARI: *Havalandırma deliklerinde ve etrafında toz toplanması halinde bu tozu ve kiri kuru hava kullanarak ana gövdeden uzaklaştırın. Bu işlemi gerçekleştirirken onaylı bir göz koruması ve onaylı toz maskesi takın.*



UYARI: *Aletin metalik olmayan parçalarını temizlemek için asla çözücü veya başka sert kimyasal kullanmayın. Bu kimyasallar bu parçalarda kullanılan malzemeleri güçsüzleştirir. Yalnızca su ve yumuşak sabunla nemlendirilmiş bir bez kullanın. Aletin içine herhangi bir sıvının girmesine izin vermeyin; aletin herhangi bir parçasını bir sıvı içine daldırmayın.*

Çevrenin korunması



Ayrı toplama. Bu ürün normal evsel atıklarla birlikte imha edilmemelidir.

Herhangi bir zamanda DEWALT ürününüzü değiştirmek isterseniz ya da artık işinize yaramıyorsa, normal evsel atıklarla birlikte atmayın. Bu ürünü ayrı toplama için ayırın.



Kullanılmış ürünlerin ayrı toplanması ve paketlenmesi malzemelerin geri kazanım yoluyla tekrar kullanılmasını sağlamaktadır. Geri kazanılan malzemelerin tekrar kullanılması çevre kirliliğinin önlenmesine yardımcı olur ve ham madde talebini azaltır.

Yerel düzenlemeler kapsamında elektrikli ürünlerin evsel atıklardan ayrı olarak belediyenin atık sahalarında toplanması veya yeni bir ürün aldığınızda satıcı tarafından geri alınması öngörülebilmektedir.

DEWALT, kullanma süreleri sona eren DEWALT ürünlerinin toplanması ve geri kazanımı için bir imkan sunmaktadır. Bu hizmetten yararlanmak için, lütfen ürününüzü bizim adımıza toplama işlemi yapan bir yetkili servise götürün.

Bu kılavuzda belirtilen adresteki yerel DEWALT ofisi ile irtibata geçerek size en yakın yetkili servisin yerini öğrenebilirsiniz. Alternatif olarak, yetkili DEWALT tamir acentelerinin listesi ve satış sonrası servis ve bağlantıların tam ayrıntıları İnternette www.2helpU.com adresinde mevcuttur.

Opsiyonel aksesuarlar



UYARI: *DEWALT tarafından verilenlerin dışındaki aksesuarlar bu ürün üzerinde test edilmediğinden, söz konusu aksesuarların bu aletle birlikte*

GARANTİ

DEWALT ürünlerinin kalitesinden emindir ve bu yüzden profesyonel kullanıcılar için kanunlarda belirtilen taleplerin üstünde bir garanti sunmaktadır. Bu garanti metni bir ilave niteliğinde olup profesyonel bir kullanıcı olarak sahip olduğunuz sözleşmeden doğan haklara veya profesyonel olmayan, özel bir kullanıcı olarak sahip olduğunuz yasal haklara hiçbir şekilde zarar vermez. İşbu garanti Avrupa Birliği'ne üye ülkeler ile Avrupa Serbest Ticaret Bölgesi sınırları dahilinde geçerlidir.

• 30 GÜNLÜK RİKSİZ MÜŞTERİ MEMNUNİYETİ GARANTİSİ •

Satın almış olduğunuz DEWALT ürünü, satın alma tarihinden itibaren 30 gün içerisinde, ilk denemenizde, performansı sizi tam olarak tatmin etmediyse, yetkili servise götürülüp; DEWALT Merkez Servis onayı ile değiştirilebilir veya gerekirse tamir edilir. Bu haktan yararlanmak için:

Ürünün satın alındığı şekliyle, orijinal tüm parçaları ile birlikte satın alındığı yere teslimi;

- Fatura ve garanti kartının ibrazı;
- Uygulamanın satın alım tarihi itibarıyla ilk 30 gün içerisinde gerçekleşmesi;
- Ürün performansının ilk uygulamadan sonra memnuniyetsizlik yaratması gerekmektedir.

Aksesuarlar ve garanti koşulları haricinde yedek parçalar dahil değildir.

• ÜCRETSİZ BİR YILLIK SERVİS KONTRATI •

Yasal garanti süresi dahilinde tüm DEWALT ürünleri satın alma tarihinden itibaren bir yıl süreyle ücretsiz servis desteğine sahiptir. Sadece bir defaya mahsus olmak üzere ürününüz DEWALT Yetkili Servisinde işçilik bedeli alınmadan tamir edilir veya bakımı yapılır. Fatura ve garanti kartı ibrazı gerekmektedir.

Aksesuarlar ve garanti koşulları haricinde yedek parçalar dahil değildir.

• BİR YIL TAM GARANTİ •

Sahip olduğunuz DEWALT ürünü satın alma tarihinden itibaren 12 ay içinde hatalı

malzeme veya işçilik nedeniyle bozulursa, DEWALT aşağıdaki şartlara uyulması koşuluyla ücretsiz olarak tüm kusurlu parçaların yenilenmesini veya -kendi insiyatifine bağlı olarak- satın alınan ürünün değiştirilmesini garanti eder:

- Ürün hatalı kullanılmamıştır;
- Ürün yıpranmamış, hırpalanmamış ve aşınmamıştır;
- Yetkili olmayan kişilerce tamire çalışılmamıştır;
- Satın alma belgesi (fatura) ibraz edilmiştir.
- Ürün, tüm orijinal parçaları ile birlikte iade edilmiştir.

Şikayet veya talepleriniz için satıcınıza, DEWALT kataloğunda yer alan size en yakın yetkili DEWALT servisine veya bu kullanma kılavuzunda belirtilen adresten DEWALT ofisine başvurun. Yetkili DEWALT servislerinin listesi ve satış sonrası hizmetlerimizle ilgili tüm bilgiler İnternette www.2helpU.com adresinde mevcuttur.

Sanayi ve Ticaret Bakanlığı tebliğince kullanım ömrü 10 yıldır.

Türkiye Distribütörü

KALE HIRDAVAT VE MAKİNA A.Ş.

Defterdar Mah. Savaklar Cad. No. 15 34050 Edirnekapı Eyüp İstanbul

| | Şehir | Yetkili Servis | Adres | Telefon |
|----|------------|----------------------------|---|----------------|
| 1 | Adana | Emin Elektrik Bobinaj | Kızıllay Cad. 9 Sok. No: 9/D | 0322 351 80 46 |
| 2 | Afyon | Emek Motor | Karaman Mah. Gazlı Göl Cad. No: 15 | 0272 212 11 14 |
| 3 | Ağrı | Tamgüç Bobinaj | Yağızman Cad. No: 42 | 0472 215 70 41 |
| 4 | Amasya | Akotec Ticaret | Yeniöl Cad. No: 85 | 0358 218 71 19 |
| 5 | Ankara | Orhan Bobinaj | Yalınç Sok. No: 17 Sitelер | 0312 350 95 29 |
| 6 | Ankara | Orhan Bobinaj Şube | 41. Sok. No: 39 Ostim | 0312 385 92 92 |
| 7 | Ankara | Yiğit Bobinaj | 688. Sok. No: 8 Eminel Koop. İvedik Ostim | 0312 395 05 37 |
| 8 | Ankara | Başak Elektrik | Ahievran Cad. 36. sok. No: 2 Ostim | 0312 386 20 84 |
| 9 | Antalya | E.B.A Elektrik | San. Sit. 682. Sok. No: 38 | 0242 345 36 22 |
| 10 | Antalya | Yaşar Bobinaj | Aşağı Pazarlık Mah. San. Girişi No: 19 Manavgat | 0242 742 44 07 |
| 11 | Antalya | Uslu Bobinaj | G. Pınarı Mah. Oba Yolu Üzeri no: 277/C Alanya | 0242 511 57 01 |
| 12 | Aydın | Tacıroğlu Kaya Bobinaj | 1.San. Sit. Üst San. Cad. 2. Sok. No: 31/A | 0256 212 70 48 |
| 13 | Aydın | Saydam Motor | Küçük San. Sit. Çubukçu Sok. No: 2/B Söke | 0256 512 81 91 |
| 14 | Aydın | Özgür Bobinaj | Kuşadası San. Sit. j Blok no:13 Kuşadası | 0256 622 1373 |
| 15 | Aydın | Ege Bobinaj | Yeni Mah Atatürk Bul. No:206/E Didim | 0256 811 05 95 |
| 16 | Balıkesir | Tezger Bobinaj | Yeni San. Sit. Cumhuriyet Cad. 198/A | 0266 246 23 01 |
| 17 | Balıkesir | Küre Bobinaj | Alatürk Cad. No: 104 Bandırma | 0266 718 46 79 |
| 18 | Batman | Topiz Bobinaj | Cumhuriyet Cad. 1512 Sok. No: 50 | 0488 214 87 70 |
| 19 | Bolu | Kilitçi Ticaret | Aşağı Soku San. Sit. 37.Blok No:16 | 0374 215 43 64 |
| 20 | Bursa | Vokart Ltd. Şti. | Gazoflar Cad. Eriki Bahçe Sok. No: 7/B | 0224 254 48 75 |
| 21 | Çanakkale | Kısacık Bobinaj | Namık Kemal Mah. Kaynak Sok. No: 41 | 0286 217 96 71 |
| 22 | Çanakkale | Ovalı Bobinaj | Hamidbey Mah. İstiklal Cad. No: 160 Biga | 0286 316 49 66 |
| 23 | Çorum | Emek Bobinaj | Küçük San. Sit. 23. Cad No: 5/C | 0364 234 68 84 |
| 24 | Denizli | Örsler Bobinaj | Sedef Çarşısı 9/10 | 0258 261 42 74 |
| 25 | Diyarbakir | Çetsan Elektrik | San. Sit. Karakol Sok. No: 1 | 0412 237 29 04 |
| 26 | Düzce | Yıldız Makina | Burhaniye Mah. Gen. Kazım Sok. No: 10 | 0380 514 70 56 |
| 27 | Edirne | Efe Bobinaj | Küçük San. Sit. 22. Blok | 0284 225 35 73 |
| 28 | Edirne | Demir Bobinaj | San. Sit. 7. Blok No: 3 Keşan | 0284 714 38 26 |
| 29 | Elazığ | Kalender Elektrik Bobinaj | San. Sit. 11. Sok No: 46 | 0424 224 85 01 |
| 30 | Erzurum | Ümit Elektrik Makina | San. Çarşısı 770 Sok. No: 71 | 0446 224 08 01 |
| 31 | Erzurum | Bursan Bobinaj | San. Sit. 5. Blok No: 135 | 0442 242 77 28 |
| 32 | Eskişehir | Escom Elektronik | Kırmızı Toprak Mah. Ali Fuat Güven Cad. No 31/A | 0222 224 15 30 |
| 33 | Gaziantep | Eser Bobinaj | K.S.S A Blok 11. Cad.25. Ada No: 55 Ş.Kamil | 0342 235 30 84 |
| 34 | Gaziantep | Karashaşin Bobinaj | İsmet Paşa Mah. Şenyurt Cad. No: 35 | 0342 231 17 33 |
| 35 | Hatay | Öz Kardeş Bobinaj | Yeni San. Sit. 38/A Blok No: 34 | 0326 221 22 91 |
| 36 | İsparta | Izmir Bobinaj | Yeni San. Sit. 6 Blok No: 28 | 0246 223 70 11 |
| 37 | İstanbul | Akel El. Servis Hizmetleri | Nato Yolu Caddesi Özgün Sok No: 1 Y.Dudullu | 0216 540 53 55 |
| 38 | İstanbul | Birlik Elektromekanik | Perpa Tic. Mer. B Blok Mavi Avlu Kat.4 No: 318 Okmeydanı | 0212 222 94 18 |
| 39 | İstanbul | Fırat Dış Ticaret | Tersane Cad. Kuthan No: 38 Kat 3 Karaköy | 0212 252 93 43 |
| 40 | İstanbul | Kardeşler Bobinaj | Çağlayan Mah. Sinanpaşa Cad.No: 5 Çağlayan | 0212 224 97 54 |
| 41 | İstanbul | Mert Elektrik | İkitelli Örg. Demirciler San. Sit. D-2 Blok No: 280 İkitelli | 0212 549 65 78 |
| 42 | İstanbul | Svs Teknik | İstasyon Cad. Gibtaş San. Sit. F Blok No: 24 Tuzla | 0216 446 69 39 |
| 43 | İstanbul | Tarık Makina | Bağdat Cad. Adalı Sok. No: 8 Maltepe | 0216 441 05 59 |
| 44 | İstanbul | Tekniker Bobinaj | Birlik San. Sit. 1. Cad. K.Dükkanlar No: 15 Beylikdüzü | 0212 875 17 78 |
| 45 | İstanbul | Orjinal Elektrik | Bağlar Mah. Mimar Sinan Cad. No:24 Güneşli | 0212 515 67 71 |
| 46 | İzmir | Birlik Bobinaj | 2824 Sok. No: 18/1. San. Sit. Halkapınar | 0232 458 39 42 |
| 47 | İzmir | Boro Cvata | 1203/2 Sok. No: 21-B Yenisehir | 0232 469 80 70 |
| 48 | İzmir | Çetin Bobinaj | Cüneyt Bey Mah. İbrahim Turan Cad. No 98/A Menderes | 0232 782 10 84 |
| 49 | İzmir | Doruk Hırdavat | 1426 Sok. No: 14 Hurdacılar Sitesi Doğanlar Bornova | 0232 478 14 12 |
| 50 | Karaman | Özüm Elektrik Bobinaj | Yeni San. Sit. 735. Sok. No: 2 | 0338 212 32 69 |
| 51 | Kastamonu | Teknik Bobinaj | İnönü Mah. İnebolu Cad. No: 132 | 0366 212 62 26 |
| 52 | Kayseri | Akın Elektrik Bobinaj | Eski San. Bölgesi 5. Cad. No: 8 | 0352 336 41 23 |
| 53 | Kırklareli | Tarık Elektronik | K.İbrahim Mah. M.Kemal Bulvarı No: 72/C | 0288 214 19 72 |
| 54 | Kırklareli | Yalçın Bobinaj | Yeni San. Sit. C3 Blok No:55 Lüleburgaz | 0288 412 41 97 |
| 55 | Kocaeli | Efe Elektrik Bobinaj | Körfez San. Sit. 12. Blok No: 13 | 0262 335 18 94 |
| 56 | Kocaeli | Gülsoy Bobinaj | S.Örhan Mah. İlyasbey Cad.1111 Sk No: 5/1 Gebze | 0262 646 92 49 |
| 57 | Kocaeli | Teknik Karot | Gaziler Mah. İbrahimpaşa Cad. No:125 Gebze | 0262 642 79 10 |
| 58 | Konya | Meb. Murat Elk. Bobinaj | Karatay San. Sit. Fatih Mah. Çiçekli Sok. No: 10 | 0332 235 64 63 |
| 59 | Konya | Sözenler Bobinaj | Fevzi Çakmak Mah. Komsan İş Merkezi Anamur 10562 Sok. No:8 | 0332 342 63 18 |
| 60 | Kütahya | Doğan Bobinaj | Yeni San. Sit. 19. Sok: 28/1 | 0274 231 22 00 |
| 61 | Malatya | Özer Bobinaj | Yeni San. Sit. 2. Cad. No: 95 | 0422 336 39 53 |
| 62 | Manisa | Çavuş Bobinaj | Kurtuluş Mah. Fatih Cad. No: 44/A Soma | 0236 614 13 78 |
| 63 | Manisa | Uslu Bobinaj Ve Makina | Güzel yurt Mah. Kenan Evren San. Sit. 5309 Sok. No: 63/A | 0236 236 33 86 |
| 64 | Mersin | Şekerler Elektrik Bobinaj | Nusratiye Mah. 5005 Sok. No: 20/A | 0324 336 70 98 |
| 65 | Mersin | Üniversal Bobinaj | Nusratiye Mah. Çiftçiler Cad.68 Sok. No: 19 | 0324 233 44 29 |
| 66 | Muğla | Bodrum Makina | Türkkuyuş Mah. San. Sit. Ethem Demiröz Sok. No: 8 Bodrum | 0252 316 28 51 |
| 67 | Muğla | General Elektrik Bobinaj | Taşyaka Mah. San. Sit. 260. Sok. No: 18 Fethiye | 0252 316 28 34 |
| 68 | Muğla | Başaran Teknik | Beldibi Cad. Sanayi Girişi No: 5/C Marmaris | 0252 419 20 29 |
| 69 | Muğla | Öztürk Bobinaj | Atakent Mah. Çevreyolu Üzeri Dalaman | 0252 697 64 98 |
| 70 | Nevesehir | Çiftçü Soğutma | Yeni San. Sit. 8. Blok No: 28 | 0384 213 19 96 |
| 71 | Niğde | Emek Motor | Eski San. Çarşısı 1.Blok No: 2 | 0388 232 83 59 |
| 72 | Sakarya | Engin Elektrik Bobinaj | Maltepe Mah. Orhan Gazi Cad. Şehit Metin Akkuş Sok. No: 19 | 0264 291 05 67 |
| 73 | Samsun | Aktış Bobinaj | Ulus Cad.San. Sit. Keresteciler Kısmı No: 40 | 0362 238 07 23 |
| 74 | Sivas | Bayraktar Elektrik | Yeni Çarşı No: 72/C | 0346 221 47 55 |
| 75 | Şanlıurfa | Ay Elektrik | Samsat Kapı Avcıoğlu Garajı No: 19 | 0414 215 74 76 |
| 76 | Tekirdağ | Birkan Teknik | Şeyhsinan Mah. Ş.Pilot İ.Aksoy Sok. Aksoy Psj. No: 20/7-B ÇORLU | 0282 654 50 91 |
| 77 | Tekirdağ | Çetin Elektrik Bobinaj | 100.Yıl San. Sit. 14B Blk. No: 10 | 0282 263 86 60 |
| 78 | Tokat | Çetin Elektrik Bobinaj | San. Sit. Camii Altı No: 22 | 0356 214 63 07 |
| 79 | Trabzon | Akçay Bobinaj Makina | Yaylacık Mah.Tosun San Sit No: 3 Akçaabat | 0462 227 54 26 |
| 80 | Trabzon | Makina Market | Rize Cad. No: 71 Değirmendere | 0462 328 14 80 |
| 81 | Uşak | Zengin Bobinaj | İslicce Mah. Ürem Sok. No: 10/C | 0276 227 27 46 |
| 82 | Van | Özen Elektrik Bobinaj | Alçekik Pasajı No: 41 | 0432 214 22 20 |
| 83 | Yalova | Deniz El. Ser. Hizmetleri | Hürriyet Mah. Eski Bursa Cad. No: 39 Altınova | 0226 461 22 43 |
| 84 | Zonguldak | Genel Elektromotor | Karıyapı Mah.T.T.K 69 Arbarları 4. Kısım | 0372 268 08 64 |
| 85 | Zonguldak | Tümen Makina | Kışla Sanayi Sit. D Blok No: 17 Kdz.Ereğli | 0372 323 74 97 |

KALE HIRDAVAT VE MAKİNA A.Ş. SERVİS MÜDÜRLÜĞÜ TEL. 0212 533 98 34