

INSTRUCTION MANUAL

---

**DEWALT**®

---

**DC545-XE, DC546-XE, DC547-XE**

HEAVY-DUTY 18V CORDLESS ADHESIVE GUN



### **Definitions: Safety Guidelines**

The definitions below describe the level of severity for each signal word. Please read the manual and pay attention to these symbols.

**⚠DANGER:** Indicates an imminently hazardous situation which, if not avoided, **will** result in **death or serious injury**.

**⚠WARNING:** Indicates a potentially hazardous situation which, if not avoided, **could** result in **death or serious injury**.

**⚠CAUTION:** Indicates a potentially hazardous situation which, if not avoided, **may** result in **minor or moderate injury**.

**CAUTION:** Used without the safety alert symbol indicates a potentially hazardous situation which, if not avoided, **may** result in **property damage**.

IF YOU HAVE ANY QUESTIONS OR COMMENTS ABOUT THIS OR ANY DEWALT TOOL, CALL US AT: **1800 654 155** (Aust) or **09 259 1111** (NZ).

### **SAFETY INSTRUCTIONS FOR POWER TOOLS**

When using power tools, always observe the safety regulations applicable in your country to reduce the risk of fire, electric shock and personal injury. Read the following safety instructions before attempting to operate this product. Keep these instructions in a safe place.

#### **General Safety Rules**

**⚠WARNING! Read all instructions.** Failure to follow all instructions listed below may result in electric shock, fire and/or serious injury. The term "power tool" in all of the warnings listed below refers to your mains operated (corded) power tool or battery operated (cordless) power tool.

### **SAVE THESE INSTRUCTIONS**

#### **1. WORK AREA**

- a. **Keep work area clean and well lit.** Cluttered and dark areas invite accidents.
- b. **Do not operate power tools in explosive atmospheres, such as in the presence of flammable liquids, gases or dust.** Power tools create sparks which may ignite the dust or fumes.
- c. **Keep children and bystanders away while operating a power tool.** Distractions can cause you to lose control.

#### **2. ELECTRICAL SAFETY**

- a. **Power tool plugs must match the outlet. Never modify the plug in any way. Do not use any adapter plugs with earthed (grounded) power tools.** Unmodified plugs and matching outlets will reduce risk of electric shock.
- b. **Avoid body contact with earthed or grounded surfaces such as pipes, radiators, ranges and refrigerators.** There is an increased risk of electric shock if your body is earthed or grounded.
- c. **Do not expose power tools to rain or wet conditions.** Water entering a power tool will increase the risk of electric shock.
- d. **Do not abuse the cord. Never use the cord for carrying, pulling or unplugging the power tool. Keep cord away from heat, oil, sharp edges or moving parts.** Damaged or entangled cords increase the risk of electric shock.
- e. **When operating a power tool outdoors, use an extension cord suitable for outdoor use.** Use of a cord suitable for outdoor use reduces the risk of electric shock.

#### **3. PERSONAL SAFETY**

- a. **Stay alert, watch what you are doing and use common sense when operating a power tool. Do not use a power tool while you are tired or under the influence of drugs, alcohol or medication.** A moment of inattention while operating power tools may result in serious personal injury.
- b. **Use safety equipment. Always wear eye protection.** Safety equipment such as dust mask, non-skid safety shoes, hard hat, or hearing protection used for appropriate conditions will reduce personal injuries.
- c. **Avoid accidental starting. Ensure the switch is in the off position before plugging in.** Carrying power tools with your finger on the switch or plugging in power tools that have the switch on invites accidents.

- d. **Remove any adjusting key or wrench before turning the power tool on.** A wrench or a key left attached to a rotating part of the power tool may result in personal injury.
- e. **Do not overreach. Keep proper footing and balance at all times.** This enables better control of the power tool in unexpected situations.
- f. **Dress properly. Do not wear loose clothing or jewellery. Keep your hair, clothing and gloves away from moving parts.** Loose clothes, jewellery or long hair can be caught in moving parts.
- g. **If devices are provided for the connection of dust extraction and collection facilities, ensure these are connected and properly used.** Use of these devices can reduce dust related hazards.

#### 4. POWER TOOL USE AND CARE

- a. **Do not force the power tool. Use the correct power tool for your application.** The correct power tool will do the job better and safer at the rate for which it was designed.
- b. **Do not use the power tool if the switch does not turn it on and off.** Any power tool that cannot be controlled with the switch is dangerous and must be repaired.
- c. **Disconnect the plug from the power source before making any adjustments, changing accessories, or storing power tools.** Such preventive safety measures reduce the risk of starting the power tool accidentally.
- d. **Store idle power tools out of the reach of children and do not allow persons unfamiliar with the power tool or these instructions to operate the power tool.** Power tools are dangerous in the hands of untrained users.
- e. **Maintain power tools. Check for misalignment or binding of moving parts, breakage of parts and any other condition that may affect the power tools operation. If damaged, have the power tool repaired before use.** Many accidents are caused by poorly maintained power tools.
- f. **Keep cutting tools sharp and clean.** Properly maintained cutting tools with sharp cutting edges are less likely to bind and are easier to control.
- g. **Use the power tool, accessories and tool bits etc., in accordance with these instructions and in the manner intended for the particular type of power tool, taking into account the working conditions and the work to be performed.** Use of the power tool for operations different from those intended could result in a hazardous situation.

#### 5. BATTERY TOOL USE AND CARE

- a. **Ensure the switch is in the off position before inserting battery pack.** Inserting the battery pack into power tools that have the switch on invites accidents.
- b. **Recharge only with the charger specified by the manufacturer.** A charger that is suitable for one type of battery pack may create a risk of fire when used with another battery pack.
- c. **Use power tools only with specifically designated battery packs.** Use of any other battery packs may create a risk of injury and fire.
- d. **When battery pack is not in use, keep it away from other metal objects like paper clips, coins, keys, nails, screws, or other small metal objects that can make a connection from one terminal to another.** Shorting the battery terminals together may cause burns or a fire.
- e. **Under abusive conditions, liquid may be ejected from the battery; avoid contact. If contact accidentally occurs, flush with water. If liquid contacts eyes, additionally seek medical help.** Liquid ejected from the battery may cause irritation or burns.

#### 6. SERVICE

- a. **Have your power tool serviced by a qualified repair person using only identical replacement parts.** This will ensure that the safety of the power tool is maintained.

#### *Electrical Safety*

The electric motor has been designed for one voltage only. Always check that the power supply corresponds to the voltage on the rating plate. 230 V AC means your tool will operate on alternating current. As little as 10% lower voltage can cause loss of power and can result in overheating. All DEWALT tools are factory tested; if this tool does not operate, check the power supply. Your DEWALT tool is double insulated, therefore no earth wire is required.

- **Young children and the infirm.** This appliance is not intended for use by young children or infirm persons without supervision. Young children should be supervised to ensure that they do not play with this appliance.
- **Replacement of the supply cord.** If the supply cord is damaged, it must be replaced by the manufacturer or an authorised DEWALT Service Centre in order to avoid a hazard.

### Extension Cords

**⚠ CAUTION:** Use only extension cords that are approved by the country's Electrical Authority. Before using extension cords, inspect them for loose or exposed wires, damaged insulation and defective fittings. Replace the cord if necessary.

### Additional Safety Instructions

- **Hold tool by insulated gripping surfaces when performing an operation where the cutting tool may contact hidden wiring or its own cord.** Contact with a "live" wire will also make exposed metal parts of the tool "live" and shock the operator.
- **Keep hands out of the plunger and plunger rod area of the caulk/adhesive gun.** Fingers can be crushed between the tube holder and the plunger.
- **When operating the caulk/adhesive gun overhead, do not have plunger rod in the path of your eyes or head.** Plunger rod may slip back in direction of user. Always wear eye protection when using the caulk/adhesive gun.
- **Always work in properly ventilated area and wear appropriate respiratory protection if necessary.** Fumes from some caulks and adhesives can be noxious.
- **Turn unit off and disconnect battery pack before installing and removing accessories, before adjusting or when making repairs.** An accidental start-up can cause injury.
- **Use only accessories that are recommended by the manufacturer for your model.** Accessories that may be suitable for one tool may be hazardous when used on another tool. The use of improper accessories may cause risk of injury to persons.
- **Lock trigger in the OFF position when not in use** to avoid inadvertent release of material.
- **Take care not to get caulk or adhesive on battery contact points.**
- **ALWAYS read and follow all manufacturer's instructions regarding caulk or adhesive.** Failure to do so may result in personal injury.

**⚠ WARNING: ALWAYS** use safety glasses. Everyday eyeglasses are NOT safety glasses. Also use face or dust mask if cutting operation is dusty. ALWAYS WEAR CERTIFIED SAFETY EQUIPMENT:

- ANSI Z87.1 eye protection (CAN/CSA Z94.3),

- ANSI S12.6 (S3.19) hearing protection,
- NIOSH/OSHA/MSHA respiratory protection.

**⚠ WARNING:** Some dust created by power sanding, sawing, grinding, drilling, and other construction activities contains chemicals known to cause cancer, birth defects or other reproductive harm. Some examples of these chemicals are:

- lead from lead-based paints,
- crystalline silica from bricks and cement and other masonry products, and
- arsenic and chromium from chemically-treated lumber (CCA).

Your risk from these exposures varies, depending on how often you do this type of work. To reduce your exposure to these chemicals: work in a well ventilated area, and work with approved safety equipment, such as those dust masks that are specially designed to filter out microscopic particles.

- **Avoid prolonged contact with dust from power sanding, sawing, grinding, drilling, and other construction activities. Wear protective clothing and wash exposed areas with soap and water.** Allowing dust to get into your mouth, eyes, or lay on the skin may promote absorption of harmful chemicals.

**⚠ WARNING:** Use of this tool can generate and/or disburse dust, which may cause serious and permanent respiratory or other injury. Always use NIOSH/OSHA approved respiratory protection appropriate for the dust exposure. Direct particles away from face and body.

**⚠ WARNING: Always use eye protection.** All users and bystanders must wear eye protection that conforms to ANSI Z87.1.

**⚠ CAUTION: When not in use, place tool on its side on a stable surface where it will not cause a tripping or falling hazard.** Some tools with large battery packs will stand upright on the battery pack but may be easily knocked over.

- The label on your tool may include the following symbols. The symbols and their definitions are as follows:

|                           |                            |
|---------------------------|----------------------------|
| V..... volts              | A .....amperes             |
| Hz ..... hertz            | W .....watts               |
| min ..... minutes         | ~ .....alternating current |
| ==== ..... direct current | no.....no load speed       |

|   |   |              |                             |
|---|---|--------------|-----------------------------|
| Ⓜ | ..... Class I Construction<br>(grounded)          | ⊕            | .....earthing terminal      |
| Ⓜ | ..... Class II Construction<br>(double insulated) | ⚠            | .....safety alert symbol    |
|   |   | .../min..... | .....revolutions per minute |
|   |   | BPM          | .....beats per minute       |

### Important Safety Instructions for Battery Packs

Your tool uses a DeWALT battery pack. When ordering replacement battery packs, be sure to include catalog number and voltage. Extended Run-Time battery packs deliver more run-time than standard battery packs. Consult the chart at the end of this manual for compatibility of chargers and battery packs.

**NOTE:** Your tool will accept either standard or Extended Run Time battery packs. However, be sure to select proper voltage. Batteries slowly lose their charge when they are not on the charger, the best place to keep your battery is on the charger at all times.

The battery pack is not fully charged out of the carton. Before using the battery pack and charger, read the safety instructions below. Then follow charging procedures outlined.

### READ ALL INSTRUCTIONS

- **Do not incinerate the battery pack even if it is severely damaged or is completely worn out.** The battery pack can explode in a fire.
- **A small leakage of liquid from the battery pack cells may occur under extreme usage or temperature conditions.** This does not indicate a failure. However, if the outer seal is broken and this leakage gets on your skin:
  - a. Wash quickly with soap and water.
  - b. Neutralize with a mild acid such as lemon juice or vinegar.
  - c. If battery liquid gets into your eyes, flush them with clean water for a minimum of 10 minutes and seek immediate medical attention.  
(**Medical Note:** The liquid is 25–35% solution of potassium hydroxide.)
- Charge the battery packs only in DeWALT chargers.
- **DO NOT** splash or immerse in water or other liquids.
- **Do not store or use the tool and battery pack in locations where the temperature may reach or exceed 40°C (105°F) (such as outside sheds or metal buildings in summer).**

**⚠ DANGER:** Electrocutation Hazard. Never attempt to open the battery pack for any reason. If battery pack case is cracked or damaged, do not insert into charger. Electric shock or electrocution may result. Damaged battery packs should be returned to service center for recycling.

**NOTE:** Battery storage and carrying caps are provided for use whenever the battery is out of the tool or charger. Remove cap before placing battery in charger or tool.



**⚠ WARNING: Fire Hazard. Do not store or carry battery so that metal objects can contact exposed battery terminals.** For example, do not place battery in aprons, pockets, tool boxes, product kit boxes, drawers, etc., with loose nails, screws, keys, etc. without battery cap. **Transporting batteries can possibly cause fires if the battery terminals inadvertently come in contact with conductive materials such as keys, coins, hand tools and the like.** The US Department of Transportation Hazardous Material Regulations (HMR) actually prohibit transporting batteries in commerce or on airplanes (i.e., packed in suitcases and carry-on luggage) UNLESS they are properly protected from short circuits. So when transporting individual batteries, make sure that the battery terminals are protected and well insulated from materials that could contact them and cause a short circuit.

**⚠ CAUTION:** Battery pack must be securely attached to tool. If battery pack is detached, personal injury may result.

### The RBRC™ Seal

The RBRC™ (Rechargeable Battery Recycling Corporation) Seal on the nickel cadmium and nickel metal hydride batteries (or battery packs) indicate that the costs to recycle these batteries (or battery packs) at the end of their useful life have already been paid by DeWALT. In some areas, it is illegal to place spent nickel cadmium and nickel metal hydride batteries in the trash or municipal solid waste stream and the RBRC program provides an environmentally conscious alternative.

RBRC™ in cooperation with DeWALT and other battery users, has established programs in the United States and Canada to facilitate the collection of spent nickel cadmium and nickel metal hydride batteries. Help protect our environment and conserve natural resources by returning the spent nickel cadmium and nickel metal hydride batteries to an authorized DeWALT service center or to your local retailer for recycling. You may also contact your local recycling center for information on where to drop off the spent battery.

RBRC™ is a registered trademark of the Rechargeable Battery Recycling Corporation.



### **Important Safety Instructions for Battery Chargers**

**SAVE THESE INSTRUCTIONS:** This manual contains important safety instructions for battery chargers.

- Before using charger, read all instructions and cautionary markings on charger, battery pack, and product using battery pack.

**⚠ DANGER:** Electrocutation Hazard. 230 volts are present at charging terminals. Do not probe with conductive objects. Electric shock or electrocution may result.

**⚠ WARNING:** Shock Hazard. Do not allow any liquid to get inside charger. Electric shock may result.

**⚠ CAUTION:** Burn Hazard. To reduce the risk of injury, charge only DEWALT nickel cadmium rechargeable batteries. Other types of batteries may burst causing personal injury and damage.

**⚠ CAUTION:** Under certain conditions, with the charger plugged in to the power supply, the exposed charging contacts inside the charger can be shorted by foreign material. Foreign materials of a conductive nature such as, but not limited to, steel wool, aluminum foil, or any buildup of metallic particles should be kept away from charger cavities. Always unplug the charger from the power supply when there is no battery pack in the cavity. Unplug charger before attempting to clean.

- **DO NOT attempt to charge the battery pack with any chargers other than the ones in this manual.** The charger and battery pack are specifically designed to work together.
- **These chargers are not intended for any uses other than charging DEWALT rechargeable batteries.** Any other uses may result in risk of fire, electric shock or electrocution.
- **Do not expose charger to rain or snow.**
- **Pull by plug rather than cord when disconnecting charger.** This will reduce risk of damage to electric plug and cord.
- **Make sure that cord is located so that it will not be stepped on, tripped over, or otherwise subjected to damage or stress.**
- **Do not use an extension cord unless it is absolutely necessary.** Use of improper extension cord could result in risk of fire, electric shock, or electrocution.
- **An extension cord must have adequate wire size (AWG or American Wire Gauge) for safety.** The smaller the gauge number of the wire, the greater the capacity of the cable, that is 16 gauge has more capacity than 18 gauge. When

using more than one extension to make up the total length, be sure each individual extension contains at least the minimum wire size.

#### **MINIMUM GAGE FOR CORD SETS**

**For Cable length (m):** 7.5      15      25      30      45      60  
**Use Cable with minimum rating (Amperes)**

| <b>Tool Amperes</b> |     |     |     |     |     |     |
|---------------------|-----|-----|-----|-----|-----|-----|
| 0 - 3.4             | 7.5 | 7.5 | 7.5 | 7.5 | 7.5 | 7.5 |
| 3.5 - 5.0           | 7.5 | 7.5 | 7.5 | 7.5 | 10  | 15  |
| 5.1 - 7.0           | 10  | 10  | 10  | 10  | 15  | 15  |
| 7.1 - 12.0          | 15  | 15  | 15  | 15  | 20  | 20  |
| 12.1 - 20.0         | 20  | 20  | 20  | 20  | 25  | —   |

- **Do not place any object on top of charger or place the charger on a soft surface that might block the ventilation slots and result in excessive internal heat.** Place the charger in a position away from any heat source. The charger is ventilated through slots in the top and the bottom of the housing.
- **Do not operate charger with damaged cord or plug** — have them replaced immediately.
- **Do not operate charger if it has received a sharp blow, been dropped, or otherwise damaged in any way.** Take it to an authorized service center.
- **Do not disassemble charger; take it to an authorized service center when service or repair is required.** Incorrect reassembly may result in a risk of electric shock, electrocution or fire.
- **Disconnect the charger from the outlet before attempting any cleaning. This will reduce the risk of electric shock.** Removing the battery pack will not reduce this risk.
- **NEVER** attempt to connect 2 chargers together.
- **The charger is designed to operate on standard household electrical power (230 Volts). Do not attempt to use it on any other voltage.** This does not apply to the vehicular charger.

#### **Using Automatic Tune-Up™ Mode**

The Automatic Tune-Up™ Mode equalizes or balances the individual cells in the battery pack allowing it to function at peak capacity. Battery packs should be tuned

up weekly or after 10 charge/discharge cycles or whenever the pack no longer delivers the same amount of work. To use the Automatic Tune-Up™, place the battery pack in the charger and leave it for at least 8 hours. The charger will cycle through the following modes.

1. The red light will blink continuously indicating that the 1-hour charge cycle has started.
2. When the 1-hour charge cycle is complete, the light will stay on continuously and will no longer blink. This indicates that the pack is fully charged and can be used at this time.
3. If the pack is left in the charger after the initial 1-hour charge, the charger will begin the Automatic Tune-Up mode. This mode continues up to 8 hours or until the individual cells in the battery pack are equalized. The battery pack is ready for use and can be removed at any time during the Tune-Up mode.
4. Once the Automatic Tune Up mode is complete, the charger will begin a maintenance charge; the red indicator will remain lit.

**SAVE THESE INSTRUCTIONS FOR FUTURE USE**

**Chargers**

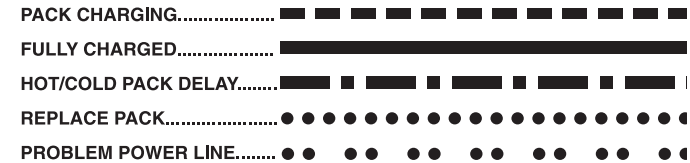
Your tool uses a DeWALT charger. Your battery can be charged in DeWALT 1 Hour Chargers, 15 Minute Chargers or Vehicular 12 Volt Charger. Be sure to read all safety instructions before using your charger. Consult the chart at the end of this manual for compatibility of chargers and battery packs.

**Charging Procedure (Fig. 1)**

**⚠ DANGER:** Electrocutation Hazard. 230 volts are present at charging terminals. Do not probe with conductive objects. Electric shock or electrocution may result.

1. Plug the charger into an appropriate outlet before inserting battery pack.
2. Insert the battery pack into the charger, as shown in Figure 1, making sure the pack is fully seated. The red (charging) light will blink continuously indicating that the charging process has started.
3. The completion of charge will be indicated by the red light remaining ON continuously. The pack is fully charged and may be used at this time or left in the charger.

**Indicator Light Operation**



**Charge Indicators**

Some chargers are designed to detect certain problems that can arise with battery packs. Problems are indicated by the red light flashing at a fast rate. If this occurs, reinsert battery pack into the charger. If the problem persists, try a different battery pack to determine if the charger is OK. If the new pack charges correctly, then the original pack is defective and should be returned to a service center or other collection site for recycling. If the new battery pack elicits the same trouble indication as the original, have the charger tested at an authorized service center.

**HOT/COLD PACK DELAY**

Some chargers have a Hot/Cold Pack Delay feature: when the charger detects a battery that is hot, it automatically starts a Hot Pack Delay, suspending charging until the battery has cooled. After the battery has cooled, the charger automatically switches to the Pack Charging mode. This feature ensures maximum battery life. The red light flashes long, then short while in the Hot Pack Delay mode.

**PROBLEM POWER LINE**

Some chargers have a Problem Power Line indicator. When the charger is used with some portable power sources such as generators or sources that convert DC to AC, the charger may temporarily suspend operation, flashing the red light with two fast blinks followed by a pause. This indicates the power source is out of limits.

**LEAVING THE BATTERY PACK IN THE CHARGER**

The charger and battery pack can be left connected with the red light glowing indefinitely. The charger will keep the battery pack fresh and fully charged.

**NOTE:** A battery pack will slowly lose its charge when kept out of the charger. If the battery pack has not been kept on maintenance charge, it may need to be recharged before use. A battery pack may also slowly lose its charge if left in a charger that is not plugged into an appropriate AC source.



**WEAK BATTERY PACKS:** Chargers can also detect a weak battery. Such batteries are still usable but should not be expected to perform as much work. In such cases, about 10 seconds after battery insertion, the charger will beep rapidly 8 times to indicate a weak battery condition. The charger will then go on to charge the battery to the highest capacity possible.

### **Important Charging Notes**

1. Longest life and best performance can be obtained if the battery pack is charged when the air temperature is between 18° - 24°C (65°F and 75°F). DO NOT charge the battery pack in an air temperature below +4.5°C (+40°F), or above +40.5°C (+105°F). This is important and will prevent serious damage to the battery pack.
2. The charger and battery pack may become warm to touch while charging. This is a normal condition, and does not indicate a problem. To facilitate the cooling of the battery pack after use, avoid placing the charger or battery pack in a warm environment such as in a metal shed, or an uninsulated trailer.
3. If the battery pack does not charge properly:
  - a. Check current at receptacle by plugging in a lamp or other appliance
  - b. Check to see if receptacle is connected to a light switch which turns power off when you turn out the lights.
  - c. Move charger and battery pack to a location where the surrounding air temperature is approximately 18° - 24°C (65°F - 75°F).
  - d. If charging problems persist, take the tool, battery pack and charger to your local service center.
4. The battery pack should be recharged when it fails to produce sufficient power on jobs which were easily done previously. DO NOT CONTINUE to use under these conditions. Follow the charging procedure. You may also charge a partially used pack whenever you desire with no adverse affect on the battery pack.
5. Under certain conditions, with the charger plugged into the power supply, the exposed charging contacts inside the charger can be shorted by foreign material. Foreign materials of a conductive nature such as, but not limited to, steel wool, aluminum foil, or any buildup of metallic particles should be kept away from charger cavities. Always unplug the charger from the power supply when there is no battery pack in the cavity. Unplug charger before attempting to clean.
6. Do not freeze or immerse charger in water or any other liquid.

**⚠ WARNING:** Shock hazard. Don't allow any liquid to get inside charger. Electric shock may result. To facilitate the cooling of the battery pack after use, avoid placing the charger or battery pack in a warm environment such as in a metal shed, or an uninsulated trailer.

**⚠ CAUTION:** Never attempt to open the battery pack for any reason. If the plastic housing of the battery pack breaks or cracks, return to a service center for recycling.

### **COMPONENTS (FIG. 1-4)**

- |                                |                     |
|--------------------------------|---------------------|
| A. Plunger rod release trigger | G. Plunger rod      |
| B. Trigger switch              | H. Plunger          |
| C. Trigger switch lock-off     | I. Release buttons  |
| D. Battery pack                | J. Cartridge holder |
| E. Variable speed dial         | K. Poker            |
| F. Plunger rod handle          | L. Sausage holder   |

### **Electronic Force Control**

The tool is designed to dispense a wide range of adhesive and caulk, and to detect when material is not dispensing or dispensing slowly. In certain cases, the tool may not dispense material properly due to solidified adhesive, puncture holes, frozen materials and the like. Always follow the manufacturer's recommendations regarding solidified adhesive, puncture holes, frozen materials, etc. to reduce the risk of damaging the tube or casing.

Remove the battery pack and replace material tube/casing following the manufacturer's instructions and the instructions under **To Insert Material**. Take the tool to a DeWALT service center if the tool continues to shut down.

### **Electronic Auto-reverse**

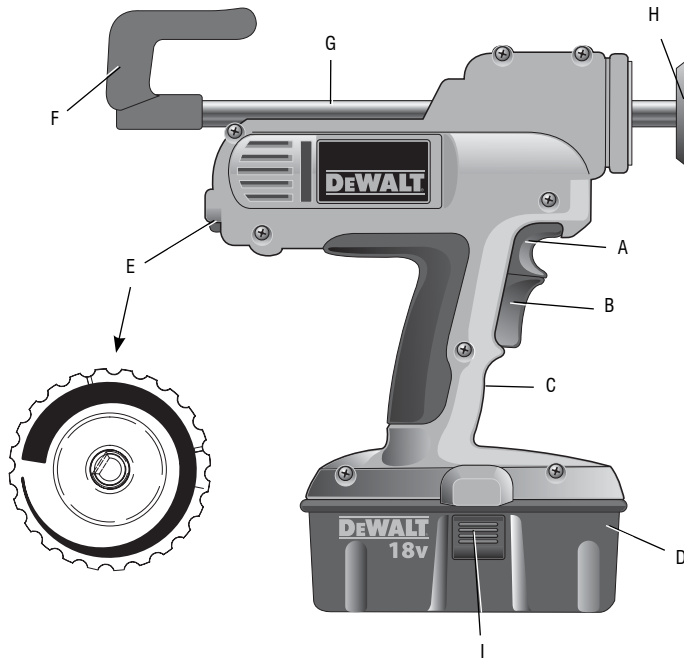
This tool has an auto-reverse feature that reverses the plunger in certain situations depending on material used and speed of tool.

### **ASSEMBLY**

The DC545, DC546 and the DC547 cordless adhesive guns come fully assembled.

The DC545 accepts 300-310 ml. cartridges. The DC546 accepts 1100 ml cartridges. The DC547 accepts 600 ml. sausage packs and 310 ml cartridges.

FIG. 1



## OPERATION

### *Installing and Removing the Battery Pack*

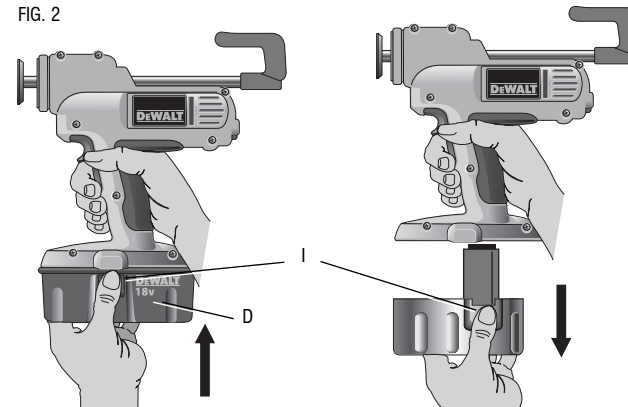
**NOTE:** Make sure your battery pack is fully charged.

**CAUTION:** To prevent inadvertent operation, lock trigger switch before removing or installing battery.

**To install the battery pack into the tool handle,** align the base of the tool with the notch inside the tool's handle and slide the battery pack firmly into the handle until you hear the lock snap into place (Fig. 2).

**To remove the battery pack from the tool,** press the release buttons (I) and firmly pull the battery pack out of the tool handle. Insert it into the charger as described in the charger section of this manual.

FIG. 2



### *Trigger Switch (Fig. 1)*

To turn the tool on, squeeze the trigger switch (B). To turn the tool off, release the trigger switch. Your tool is equipped with a trigger switch lock-off (C) to safeguard against inadvertent release of material.

### **Trigger Switch Lock-off (Fig. 1)**

**⚠WARNING:** Turn unit off and disconnect battery pack before installing and removing accessories, before adjusting or when making repairs. To prevent inadvertent operation, lock the trigger switch when the tool is not in use and when storing the tool.

1. To lock the trigger switch, push trigger switch lock-off (C) up. The tool will not operate with the switch in the locked position.
2. To unlock the trigger switch, push the trigger switch lock-off down.

### **Variable Speed Dial (Fig. 1)**

1. Turn the variable speed dial (E) to an appropriate speed for your application. Turn the dial counterclockwise for minimum flow of caulk or adhesive. Turn the dial clockwise for maximum flow of caulk or adhesive.
2. Press the trigger switch (B) to start the flow of material.
3. Release trigger switch to stop the flow of material.

### **Rotating Cartridge Holder**

The cartridge holder rotates 360° to apply material at any angle.

### **Plunger Rod Handle (Fig. 1)**

**⚠WARNING:** Turn tool off and disconnect battery pack before hanging or storing tool. To prevent inadvertent operation, lock the trigger switch when the tool is not in use and when storing the tool.

**⚠WARNING:** To reduce the risk of serious personal injury, **DO NOT** use the plunger rod handle as a hook to suspend objects from.

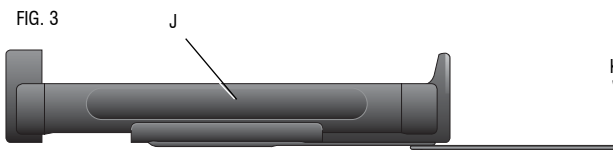
The plunger rod handle may be used to suspend tool from a stable location when not in use or for storage.

### **To Adjust Plunger Rod (Fig. 1)**

1. To manually adjust plunger rod (G), press and hold the plunger rod release trigger (A).
2. Push or pull plunger rod handle (F) to desirable position.
3. Release plunger rod release trigger.

### **To Insert Material**

**NOTE:** Material left in the cartridge/sausage holder may dry if left unattended. Follow manufacturer's recommendations when using caulk or adhesive material.



### **CARTRIDGE HOLDER (FIG. 3)**

1. Ensure that the proper cartridge holder is installed properly.
2. Use the trigger switch lock-off (C) to lock trigger switch (B).
3. Trim nozzle end of the caulk/adhesive tube (Fig. 5). Small openings require more force to push the material possibly affecting battery life.
4. Break inner seal of caulking tube or adhesive material using the poker (K) located on the under side of the cartridge holder.

**CAUTION:** If the inner seal is not broken, material could be forced out through the rear of the tube and damage the tool.

**CAUTION:** Keep plunger rod, cartridge holder and cartridge clean of all material. Retracting a plunger rod that is covered with dried material may damage the internal parts of the tool and cause misalignment of tube.

5. Securely hold the tool, press plunger rod release trigger (A) to declutch and free the plunger rod (G). Using the plunger rod handle (F), pull the plunger rod (G) back to allow the caulk/adhesive tube to fit inside the cartridge holder.
6. Insert caulk/adhesive tube.
7. Press and hold plunger rod release trigger (A) while pushing the plunger rod handle (F) forward until the plunger (H) is against the tube.
8. Release the plunger rod release trigger.
9. Rotate cartridge holder to desired angle.

FIG. 4



FIG. 5

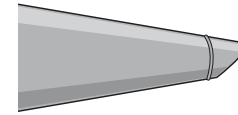


FIG. 6

310 ML CARTRIDGE HOLDER

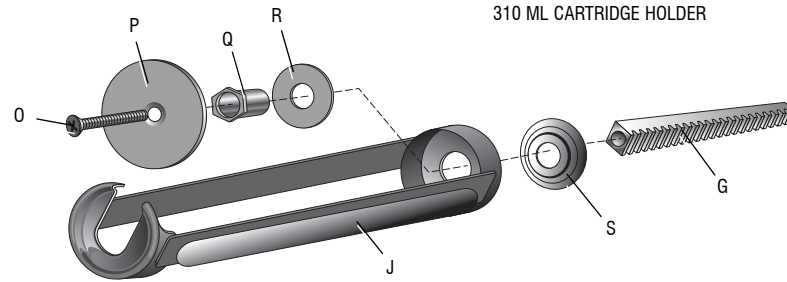
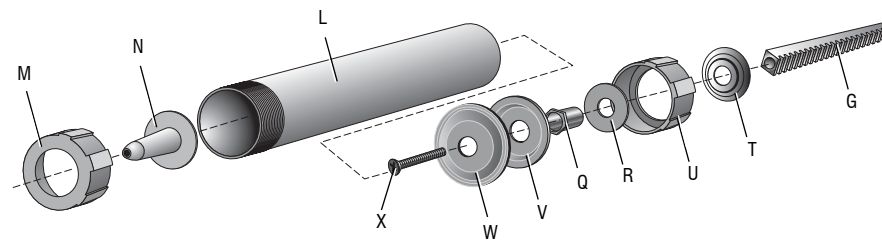


FIG. 7

600 ML SAUSAGE HOLDER



#### **SAUSAGE HOLDER (FIG. 4)**

1. Unscrew nozzle cap (M) and remove nozzle (N).
2. Press and hold plunger rod release trigger (A). Using the plunger rod handle (F), pull plunger rod (G) back to allow the caulk/adhesive casing to fit inside the sausage holder (L).
3. Insert sausage pack into sausage holder and cut casing according to manufacturer's instructions.
4. With nozzle tip facing away from tool, screw nozzle cap back onto sausage holder.
5. Trim tip of nozzle cap for appropriate application (Fig. 5).

#### **To Change Holders**

**⚠WARNING:** Turn unit off and disconnect battery pack before installing and removing accessories, before adjusting or when making repairs. Lock the trigger switch when the tool is not in use and when storing the tool.

#### **TO REMOVE CARTRIDGE HOLDER (FIG. 1, 6)**

1. Remove the plunger screw (O) and cartridge plunger (P) from inside of cartridge holder (J).
2. Press and hold the plunger rod release trigger (A) and pull plunger rod handle (F) back to access the barrel nut (Q). Release plunger rod release trigger.
3. With a 1/2" square drive tool, turn the barrel nut (Q) counterclockwise to remove.
4. The rear end washer (R), spacer (S) and cartridge holder (J) are now easily removed.

For installation of the cartridge holder, reverse the above procedure.

#### **TO INSTALL SAUSAGE HOLDER (FIG. 1, 7)**

1. Position the rear cap spacer (T) and the rear end cap (U) [fine threads] onto nose of the tool.  
**NOTE:** The side of the rear cap spacer (T) with the double collar faces away from the tool.
2. Place the rear end washer (R) on top of the rear end cap (U) and thread barrel nut (Q) into the nose of the tool. Tighten and secure barrel nut with a 1/2" square drive tool.

3. Press and hold the plunger rod release trigger (A) and push the plunger rod (G) forward to access the threads on rod. Release the trigger.
4. Thread the sausage holder (L) onto the rear cap (U).
5. Thread the plunger washer (V), barrel plunger (W) and handle screw (X) onto the plunger rod (G) in the order shown in Figure 3. Tighten securely.
6. Press and hold the plunger rod release trigger (A) and pull the plunger rod handle (F) back before loading material.
7. Place the nozzle (N) onto the sausage holder (L) and thread the nozzle cap (M) over the nozzle.

To remove the sausage holder, reverse the above procedure.

#### **MAINTENANCE**

**⚠WARNING:** Shock Hazard. To reduce the risk of serious personal injury, turn tool off and disconnect battery pack before installing and removing accessories, before adjusting or when making repairs. Lock the trigger switch when the tool is not in use and when storing the tool.

#### **Cleaning**

**CAUTION:** To reduce the risk of damaging the tool, material left in the cartridge/sausage holder may dry if left unattended. Do not attempt to dispense material under this condition. Follow the manufacturer's recommendations when using caulk or adhesive material to reduce the risk of property damage.

To clean the cartridge holder, follow manufacturer's recommendations for cleaning material from nozzle, barrel plunger and plunger rod.

To clean the sausage holder, unscrew nozzle cap (M) and sausage holder (L) and remove from tool. Follow the manufacturer's recommendations for cleaning material from nozzle, barrel plunger, plunger rod and sausage holder.

**⚠CAUTION:** When cleaning, use only a damp cloth on plastic parts. Many household cleaners contain chemicals which could seriously damage plastic. Also, do not use gasoline, turpentine, lacquer or paint thinner, dry cleaning fluids or similar products which may seriously damage plastic parts. Never let any liquid get inside the tool; never immerse any part of the tool into a liquid.

### CHARGER CLEANING INSTRUCTIONS

**⚠ WARNING:** Shock hazard. Disconnect the charger from the AC outlet before cleaning. Dirt and grease may be removed from the exterior of the charger using a cloth or soft non-metallic brush. Do not use water or any cleaning solutions.

### Repairs

This charger is not user serviceable. There are no user serviceable parts inside the charger. Servicing at an authorized service center is required to avoid damage to static sensitive internal components.

To assure product SAFETY and RELIABILITY, repairs, maintenance and adjustment (including brush inspection and replacement) should be performed by certified service centers or other qualified service organizations, always using identical replacement parts.

### ACCESSORIES

**⚠ WARNING:** Since accessories, other than those offered by DeWALT, have not been tested with this product, use of such accessories with this tool could be hazardous. To reduce the risk of injury, only DeWALT, recommended accessories should be used with this product.

Recommended accessories for use with your tool are available at extra cost from your local service center. If you need any assistance in locating any accessory, please contact DeWALT Industrial Tool Co., 20 Fletcher Road, Mooroolbark, VIC 3138 Australia or call 1800 654 155 or (NZ) 09 259 1111.

### Guarantee

Applicable to hand held Power Tools, Lasers and Nailers.

### Three Year Limited Warranty

DeWALT will repair, without charge, any defects due to faulty materials or workmanship for three years from the date of purchase. Please return the complete unit, transportation prepaid, to any DeWALT Service Centre, or any authorised service station.

For warranty repair information, call (AUS) 1800 654 155 or (NZ) 09 259 1111.

This warranty does not apply to

- Accessories
- Damage caused where repairs have been made or attempted by others.
- Damage due to misuse, neglect, wear and tear, alteration or modification.

This warranty gives you specific legal rights and you may have other rights under the provisions of the Consumer Guarantee Act 1993 (New Zealand only), Trade Practices Act 1974 and State Legislation (Australia only).

In addition to the warranty, DeWALT tools are covered by our:

### FREE ONE YEAR SERVICE CONTRACT

DeWALT will also maintain the tool for free at any time during the first year of purchase. This includes labour, parts and lubrication required to restore the product to sound mechanical and/or electrical condition. Normal wear parts are not covered in this service. Carbon brushes worn more than 50% will be replaced.

**NOTE:** Three Year Warranty is not applicable to items deemed as consumables. Radial arm saws are covered by a one (1) year warranty only. DeWALT Reserves the right to review its warranty policy prior to launch of any new business development products.

### 30 DAY NO SATISFACTION GUARANTEE

If you are dissatisfied with any DeWALT power tool, laser or nailer, for any reason, simply return it to the point of purchase with your sales receipt within 30 days for a replacement unit or a full refund.

**FREE WARNING LABEL REPLACEMENT:** If your warning labels become illegible or are missing, call (AUS) 1800 654 155 or (NZ) 09 259 1111 for a free replacement.





| DeWALT Battery and Charger Systems |         |                      |       |       |        |        |        |        |        |        |        |        |        |       |       |        |        |        |          |
|------------------------------------|---------|----------------------|-------|-------|--------|--------|--------|--------|--------|--------|--------|--------|--------|-------|-------|--------|--------|--------|----------|
| Battery                            |         | Chargers/Charge Time |       |       |        |        |        |        |        |        |        |        |        |       |       |        |        |        |          |
| Output Nominal                     |         | 240 Volts            |       |       |        |        |        |        |        |        |        |        |        |       |       |        |        |        | 12 Volts |
| Cat. Number                        | Voltage | Amp Hour             | 97014 | 98014 | DW9106 | DW9107 | DW9108 | DW9115 | DW9116 | DW9117 | DW9118 | DE9116 | DE9118 | DW911 | DC011 | DW0245 | DE2046 | DE9000 | DW9109   |
| DW0242                             | 24      | 2.0                  | X     | X     | X      | X      | X      | X      | X      | X      | X      | X      | X      | X     | X     | 60     | 60     | X      | X        |
| DE0240-XJ                          | 24      | 2.0                  | X     | X     | X      | X      | X      | X      | X      | X      | X      | X      | X      | X     | X     | 60     | 60     | X      | X        |
| DW0240                             | 24      | 1.7                  | X     | X     | X      | X      | X      | X      | X      | X      | X      | X      | X      | X     | X     | 60     | 60     | X      | X        |
| DW9096                             | 18      | 2.4                  | X     | X     | X      | X      | 60     | X      | 60     | 20     | X      | 60     | X      | 60    | 60    | X      | X      | X      | 60       |
| DE9095-XJ                          | 18      | 2.0                  | X     | X     | X      | X      | 60     | X      | 60     | 20     | X      | 60     | X      | 60    | 60    | X      | X      | X      | 60       |
| DE9091-XJ                          | 14.4    | 2.0                  | 45    | 45    | 45     | 45     | 45     | 15     | 45     | 15     | 90     | 45     | 90     | 45    | 45    | X      | X      | X      | 45       |
| DW9091                             | 14.4    | 1.7                  | 45    | 45    | 45     | 45     | 45     | 15     | 45     | 15     | 90     | 45     | 90     | 45    | 45    | X      | X      | X      | 45       |
| DC9071                             | 12      | 2.4                  | 60    | 60    | 60     | 60     | 60     | 15     | 60     | 15     | 60     | 60     | 60     | 60    | 60    | X      | X      | X      | 60       |
| DE9074-XJ                          | 12      | 1.25                 | 45    | 45    | 45     | 30     | 30     | 15     | 30     | 12     | 60     | 30     | 60     | 30    | 30    | X      | X      | X      | 30       |
| DW9072                             | 12      | 1.2                  | 45    | 45    | 45     | 30     | 30     | 15     | 30     | 12     | 60     | 30     | 60     | 30    | 30    | X      | X      | X      | 30       |
| DE9071-XJ                          | 12      | 2.0                  | 60    | 60    | 60     | 45     | 45     | 15     | 45     | 15     | 90     | 45     | 90     | 45    | 45    | X      | X      | X      | 45       |
| DW9071                             | 12      | 1.7                  | 60    | 60    | 60     | 45     | 45     | 15     | 45     | 15     | 90     | 45     | 90     | 45    | 45    | X      | X      | X      | 45       |
| DW9050                             | 12      | 1.3                  | 40    | 40    | 40     | X      | X      | 15     | X      | X      | X      | X      | X      | X     | X     | X      | X      | X      | X        |
| DW9063                             | 9.6     | 1.25                 | 45    | 45    | 45     | 30     | 30     | 15     | 30     | 12     | 60     | 30     | 60     | 30    | 30    | X      | X      | X      | 30       |
| DW9062                             | 9.6     | 1.3                  | 45    | 45    | 45     | 30     | 30     | 15     | 30     | 12     | 60     | 30     | 60     | 30    | 30    | X      | X      | X      | 30       |
| DW9061                             | 9.6     | 1.7                  | 60    | 60    | 60     | 45     | 45     | 15     | 45     | 15     | 90     | 45     | 90     | 45    | 45    | X      | X      | X      | 45       |
| DW9048                             | 9.6     | 1.3                  | 40    | 40    | 40     | X      | X      | 15     | X      | X      | X      | X      | X      | X     | X     | X      | X      | X      | X        |
| DW9057                             | 7.2     | 1.25                 | 45    | 45    | 45     | 30     | 30     | 15     | 30     | 12     | 60     | 30     | 60     | 30    | 30    | X      | X      | X      | 30       |
| DW9046                             | 7.2     | 1.3                  | 40    | 40    | 40     | X      | X      | 15     | X      | X      | X      | X      | X      | X     | X     | X      | X      | X      | X        |
| DC9096                             | 18      | 2.4                  | X     | X     | X      | X      | 60     | X      | 60     | 20     | X      | 60     | X      | 60    | 60    | X      | X      | X      | 60       |
| DC9091                             | 14.4    | 2.4                  | 60    | 60    | 60     | 60     | 60     | 15     | 60     | 15     | 60     | 60     | 60     | 60    | 60    | X      | X      | X      | 60       |
| DC9036                             | 36      | X                    | X     | X     | X      | X      | X      | X      | X      | X      | X      | X      | X      | X     | X     | X      | X      | 60     | X        |

X Indicates that the battery pack is not compatible with that specific charger.  
All charge times are approximate. Actual charge time may vary.  
Read the instruction manual for more specific information.  
The battery voltage is nominal, it can measure above or below depending on the state of charge.

DeWALT Industrial Tool Co.,  
701 East Joppa Road, Baltimore, MD 21286 • 20 Fletcher Road, Mooroolbark, VIC 3138 Australia  
(MAR07) Form No. 650844-00 DD545-XE, DC546-XE, DC547-XE. Copyright © 2006, 2007 DeWALT

The following are trademarks for one or more DeWALT power tools: the yellow and black color scheme; the “D” shaped air intake grill; the array of pyramids on the handgrip; the kit box configuration; and the array of lozenge-shaped humps on the surface of the tool.